

Axion

Series Zero-Turn Riders & Mower Decks

20HP Product

Mfg. No. Description

- 2690642 Axion, 20HP Zero Turn Rider w/42" Mower
2690715 Axion, 20HP Zero Turn Rider w/42" Mower (CE/Export)
7800376 Axion, 20HP Zero Turn Rider w/42" Mower (CE/Export)

24HP Product

Mfg. No. Description

- 2690644 Axion, 24HP Zero Turn Rider w/50" Mower
2690771 Axion, 24HP Zero Turn Rider w/50" Mower (CE/Export)

Mower Decks

Mfg. No. Description

- 1695447 50" Mower Deck (CE/Export)

Not for
Reproduction

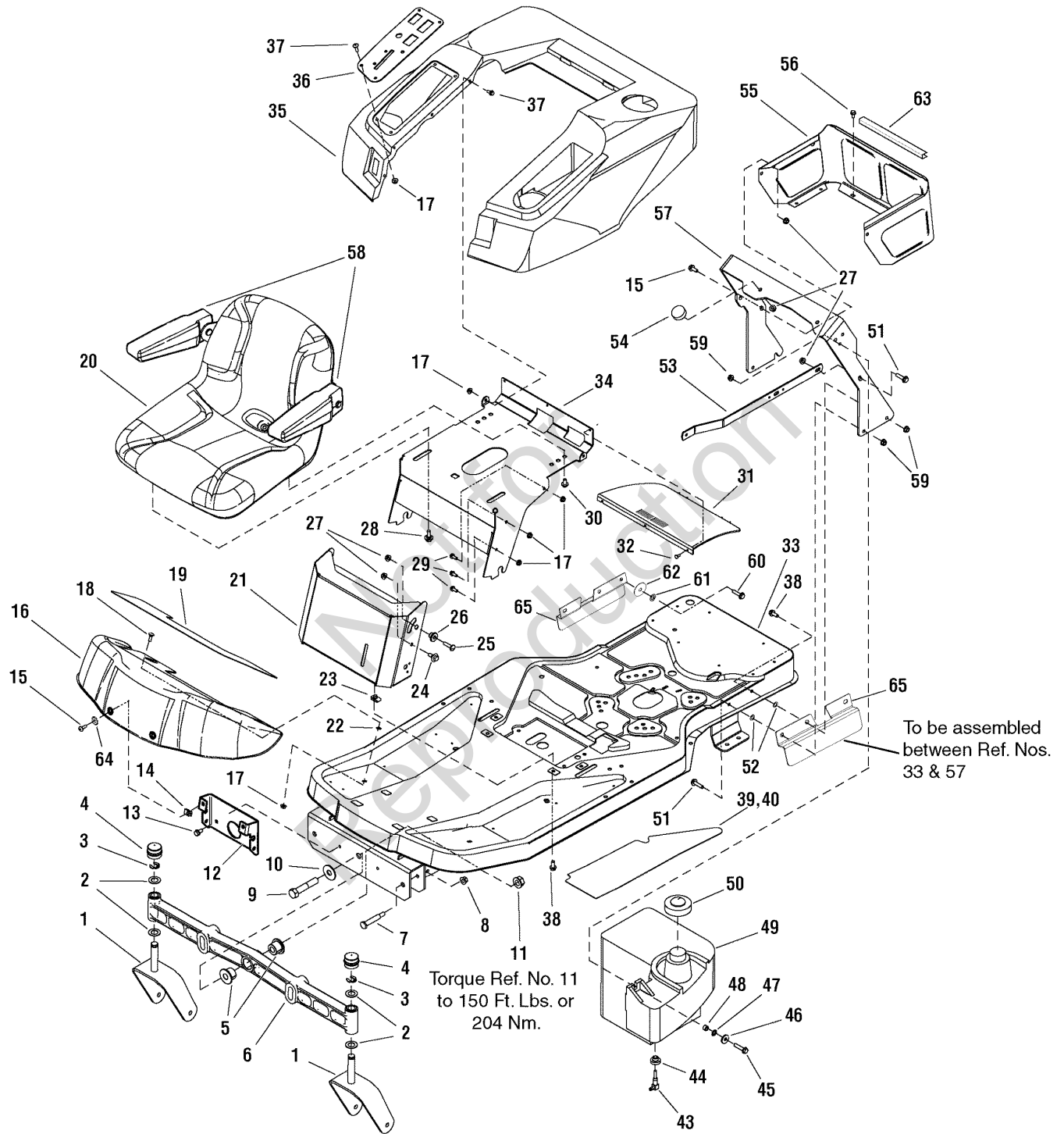
PRODUCT COMPONENTS	PAGES
Frame, Body & Seat Group	4
Engine Group - 20HP Briggs & Stratton	8
Engine Group - 20HP Briggs & Stratton (CE/Export)	12
Engine Group - 24HP Briggs & Stratton	16
Transmission Group	18
Controls Group	22
Electrical Group - Main Harness 1734127SM	26
Electrical Group - Main Harness 7103103YP	28
Lift Group	30
Wheel & Tire Group	32
Decals Group	34
42" Mower Deck - Clutch & Support Group	36
42" Mower Deck - Housing & Arbor Group	38
42" Mower Deck - Housing & Arbor Group (CE/Export)	40
50" Mower Deck - Clutch & Support Group	42
50" Mower Deck - Housing & Arbor Group	44
Torque Specification Chart	Inside Back Cover

Not for
Reproduction

Frame, Body & Seat Group

987484

NOTE: Unless noted otherwise,
use the standard hardware torque
specification chart.



The above parts group applies to the following Mfg. Nos.:

- 2690642 - Axion
- 2690644 - Axion
- 2690715 - Axion
- 2690771 - Axion
- 7800376 - Axion

Frame, Body & Seat Group

REF NO	PART NO.	QTY.	DESCRIPTION
1	1733448ASM	2	CASTER ASSEMBLY
2	1960160SM	4	WASHER, 3/4 ID x 1.6 OD x .05 THK
3	1611710SM	2	RING, Klipring, 3/4
4	1734135SM	2	CAP, Hub
5	1730186SM	2	BUSHING, Axle Pivot
6	1733426ASM	1	AXLE, Casting (Includes Ref. Nos. 1, 2, 3, 4 & 5)
7	1733571SM	2	BOLT, Shoulder, G5
8	1960687SM	3	NUT, Hex Flange, 3/8-16 ESNA
9	2860744SM	1	CAPSCREW, Hex Head, 5/8-11 x 3-1/4, G5
10	1960035SM	1	WASHER, 5/8, .64 ID x 1-3/4 OD x .11 THK
11	2860646SM	1	NUT, Hex Flange Two-Way Lock, 5/8-11
12	1733304ASM	1	BRACKET, Front Footrest Support
13	1930601SM	2	SCREW, Hex Head Taptite, 5/16-18 x 5/8
14	1960368SM	2	NUT, Speed Lug Type, 1/4-20
15	1960715SM	8	SCREW, Truss Head Torx, 1/4-20 x 3/4
16	1726025ZSM	1	FRONT FOOTREST (Black)
16	1726025CSM	1	FRONT FOOTREST (Orange)
17	1960694SM	14	NUT, Hex Flange, 1/4-20 ESNA
18	1931317SM	2	BOLT, Carriage, 1/4-20 x 3/4, G5
19	1726306SM	1	PAD, Footrest Panel
20	1726018SM	1	SEAT ASSEMBLY, with Armrests
21	1733573ASM	1	PANEL, Front with Slot
21	7300752AYP	1	PANEL, Front, Manual Brake (CE/Export)
22	1960518SM	2	NUT, Push, 1/4
23	1935255SM	4	NUT, Speed Lug Type, 5/16-18
24	009X67MA	2	BOLT, Shoulder
25	1960223SM	2	BOLT, Carriage, 5/16-18 x 1-1/4, G5
26	1728086SM	2	PIVOT, Hood, Powdered Metal
27	1931277SM	8	NUT, Hex Flange Whiz Lock, 5/16-18
28	1716654SM	2	BOLT, Shoulder, G5
29	1960295SM	6	SCREW, Hex Whiz Lock Flange, 1/4-20 x 5/8
30	1960738SM	2	SCREW, Hex Flange Whiz Lock, 5/16-18 x 3/4 Dog PT
31	1708504SM	1	SCREEN, Seat Deck
31	7102141SM	1	SCREEN, Seat Deck (CE/Export)
32	1673320SM	3	RIVET, Pop
33	1733227ASM	1	FRAME ASSEMBLY
34	1733965ASM	1	SUPPORT, Seat
35	1734144SM	1	SEAT DECK, Plastic
36	1727699ASM	1	PLATE, Control
36	1734252BMYP	1	PLATE, Control (CE/Export)

Footnotes

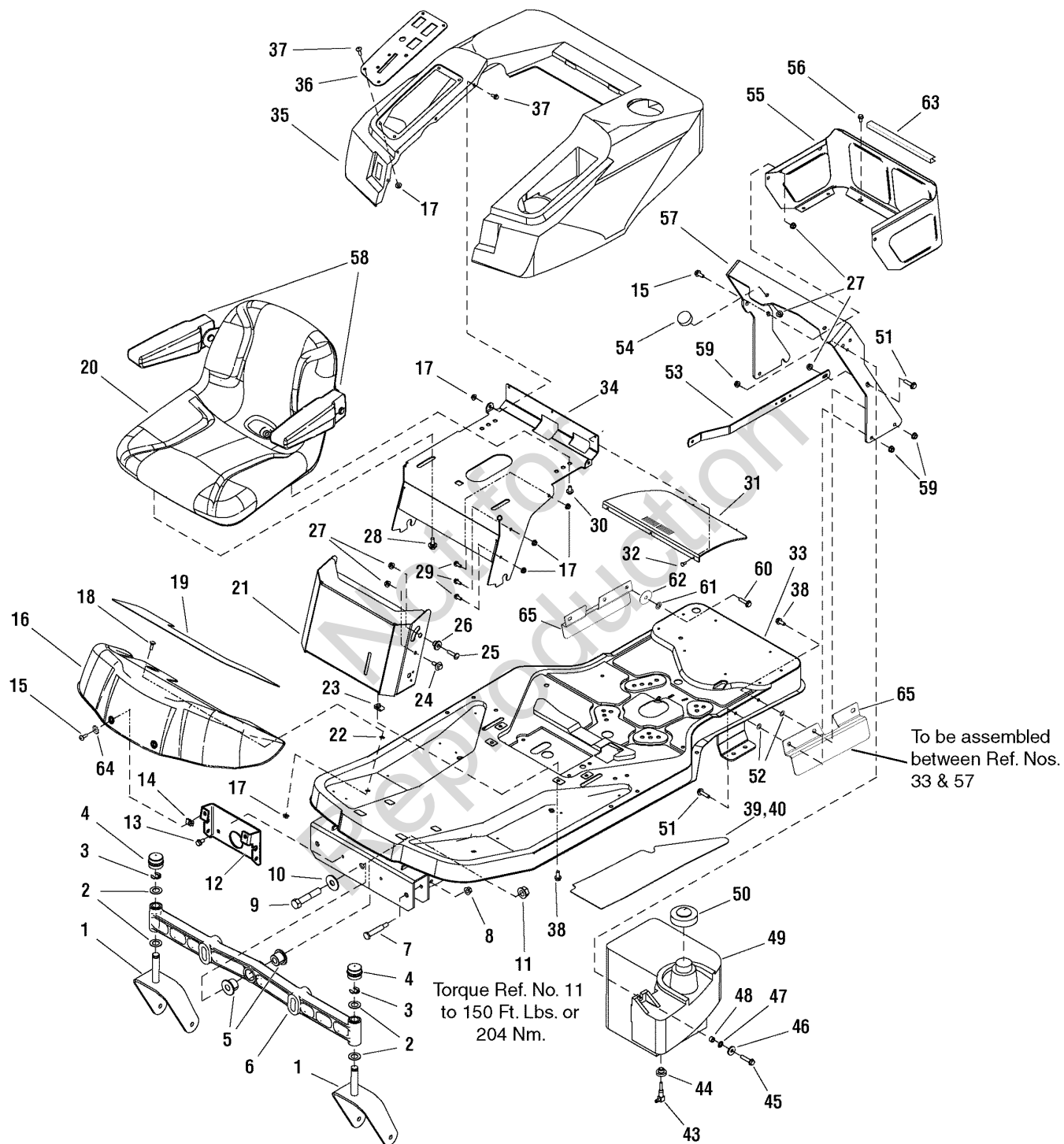
The above parts group applies to the following Mfg. Nos.:

2690642 - Axion
 2690644 - Axion
 2690715 - Axion
 2690771 - Axion
 7800376 - Axion

Frame, Body & Seat Group

987484

NOTE: Unless noted otherwise,
use the standard hardware torque
specification chart.



The above parts group applies to the following Mfg. Nos.:

- 2690642 - Axion
- 2690644 - Axion
- 2690715 - Axion
- 2690771 - Axion
- 7800376 - Axion

Frame, Body & Seat Group

REF NO	PART NO.	QTY.	DESCRIPTION
37	1960715SM	6	SCREW, Truss Head Torx, 1/4-20 x 3/4
38	1930591SM	5	SCREW, Hex Whiz Lock Flange, 5/16-18 x 3/4
39	1728986SM	1	PAD, Footrest R.H.
40	1728987SM	1	PAD, Footrest L.H.
43	1674792SM	1	ELBOW, Gas Tank
44	1726400SM	1	BUSHING, Fuel
45	1921221SM	1	CAPSCREW, 5/16, 18 x 1-1/2
46	1919381SM	1	WASHER, 5/16, .34 ID x 1 OD x .13 THK
47	2820427SM	1	LOCKWASHER, External Tooth, 3/8
48	1710437SM	1	SPACER, .33 ID x 1/2 OD x 5/16 LG
49	1734257SM	1	TANK, Fuel
49	7102378SM	1	TANK, Fuel (CE/Export)
50	1714020SM	1	CAP, Fuel Tank
51	1921977SM	5	CAPSCREW, Hex Head, 5/16-18 x 1-1/4, G5
52	1933988SM	4	NUT, Push Pal, 5/16 DIA Thread, 5/8 OD
53	1727810ASM	1	BRACE, Tank
54	1726390SM	2	BUMPER, Rubber
55	1715962ASM	1	SHROUD, Rear
56	1925003SM	6	SCREW, Hex Washer Head Taptite, 1/4-20 x 1/2
57	1733393ASM	1	SUPPORT, Seat Deck
58	1687021SM	1	ARM REST KIT, L.H. & R.H.
59	1960686SM	5	NUT, Hex Flange Nylock, 5/16-18
60	1920415SM	1	CAPSCREW, 3/8 - 16 x 1-1/4
61	1931942SM	1	NUT, Push Pal, 3/8
62	1960534SM	1	WASHER, 3/8
63	1735680SM	1	TRIM, 8"
64	1921880SM	2	WASHER, External Tooth, 1/4
65	1734392ASM	2	GUARD, Debris

Footnotes

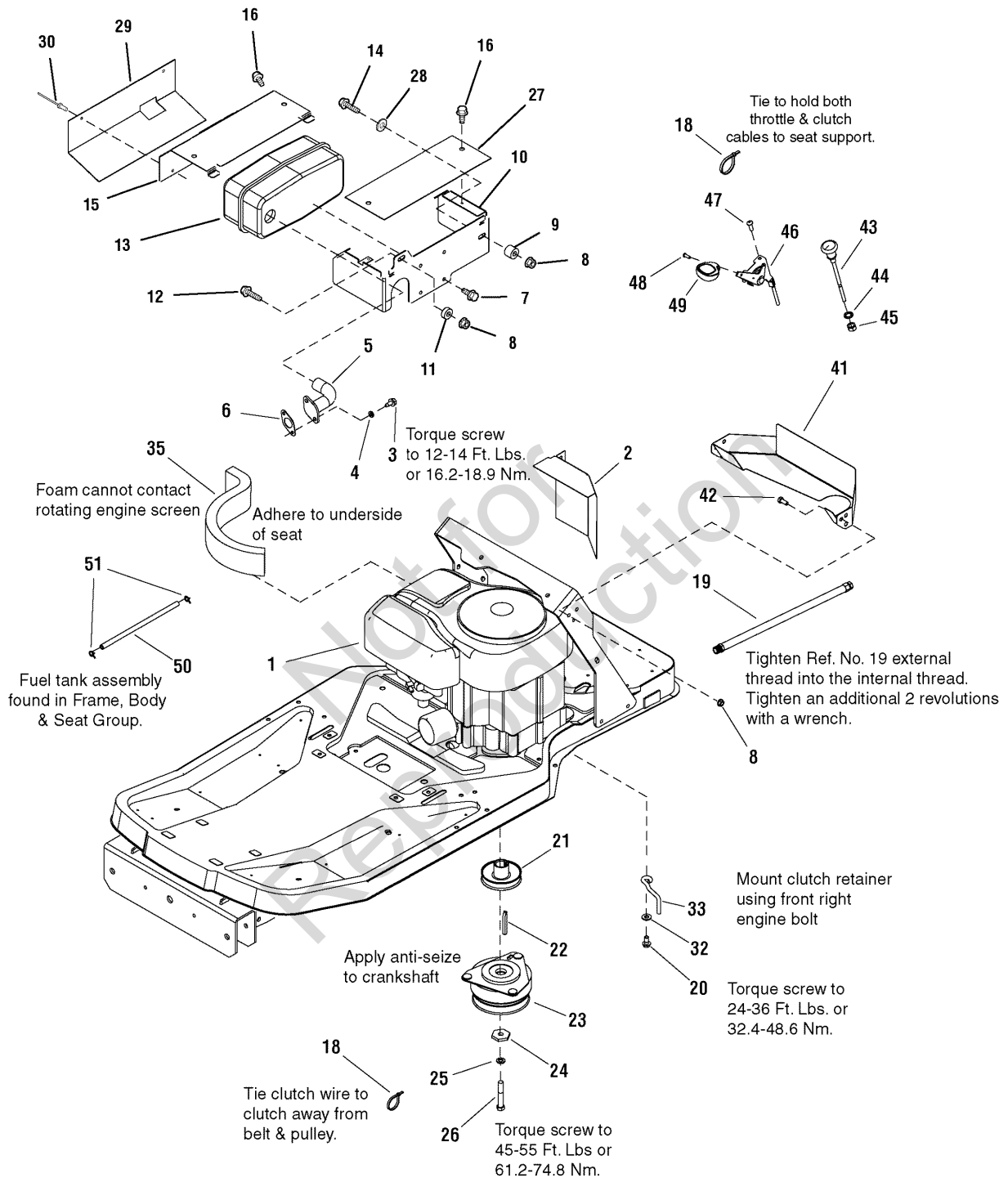
The above parts group applies to the following Mfg. Nos.:

2690642 - Axion
2690644 - Axion
2690715 - Axion
2690771 - Axion
7800376 - Axion

Engine Group - 20HP Briggs & Stratton

987607

NOTE: Unless noted otherwise, use the standard hardware torque specification chart.



The above parts group applies to the following Mfg. Nos.:

2690642 - Axion

Engine Group - 20HP Briggs & Stratton

REF NO	PART NO.	QTY.	DESCRIPTION
1	31M977-0111-E1	1	*ENGINE, 20 HP B&S Intek (Engine Model: 31M977-0111-E1)
2	1734150ASM	1	HEAT SHIELD, Inner
3	1936228SM	2	CAPSCREW, Hex Head, 5/16-18 x 3/4, G8
4	1917356SM	2	LOCKWASHER, Spring, 5/16
5	1732259SM	1	PIPE ASSEMBLY, Exhaust
6	1731214SM	1	GASKET, Exhaust
7	1960295SM	4	SCREW, Hex Whiz Lock Flange, 1/4-20 x 5/8
8	1927557SM	4	NUT, Hex Whiz Lock Flange, 5/16-18
9	1667812SM	1	SPACER
10	1732255SM	1	BRACKET, Muffler/Heat Shield
11	1667811SM	1	SPACER, .390 ID x .9 OD x .34 LG, Powdered Metal
12	1921977SM	1	CAPSCREW, Hex Head, 5/16-18 x 1-1/4, G5
13	1732273SM	1	MUFFLER ASSEMBLY, Single
14	1921221SM	1	CAPSCREW, Hex Head, 5/16-18 x 1-1/2, G5
15	1727996ASM	1	HEAT SHIELD, Outer Single
16	1960720SM	4	CAPSCREW, Thread Cutting, # 10 x 1/2
18	2832747SM	2	TIE, Self Locking, 3-5/8 LG
19	1726498SM	1	HOSE, Oil Drain, 16-1/2 LG
20	2828635SM	3	SCREW, Hex Washer Head Taptite, 3/8-16 x 1-1/4
21	1727816SM	1	PULLEY ASSEMBLY, Engine
22	1720463SM	1	KEY, Hi-Pro, 1/4 x 2-1/2
23	1717664SM	1	CLUTCH, Electric
24	1708264SM	1	WASHER, Hex, .453 ID x 1-1/2
25	1918199SM	1	LOCKWSHER, Spring, .438
26	1960648SM	1	CAPSCREW, Hex Head, 7/16-20 x 2-3/4, G5
27	1732885ASM	1	HEAT SHIELD
28	1919326SM	2	WASHER, 5/16, .34 ID x 3/4 OD x .06 THK
29	1733063SM	1	HEAT SHIELD
30	1675044SM	2	RIVET, Pop
32	1924940SM	1	WASHER, 3/8, .41 ID x .87 OD x .08 THK
33	1734049SM	1	RETAINER, Clutch
35	1734189SM	1	SEAL, Foam Air Duct, 1 x 2-1/2, 12" LG
41	1734180ASM	1	AIR DUCT, Inlet
42	1921332SM	1	CAPSCREW, Hex Head, 5/16-18 x 3/4, G5
43	7100416SM	1	CABLE, Choke
44	7090390SM	1	WASHER, Lock Internal Tooth, 3/8
45	7091630SM	1	NUT, Hex, 3/8
46	7075449SM	1	CONTROL, Throttle
47	7090999SM	2	SCREW, Pan Head Taptite Torx, 1/4-20 x 5/8
48	7091195SM	1	SCREW, Pan Head Taptite Combo, 3/10-16 x 3/4

Footnotes

Note * See Briggs & Stratton Engine Repair Parts.

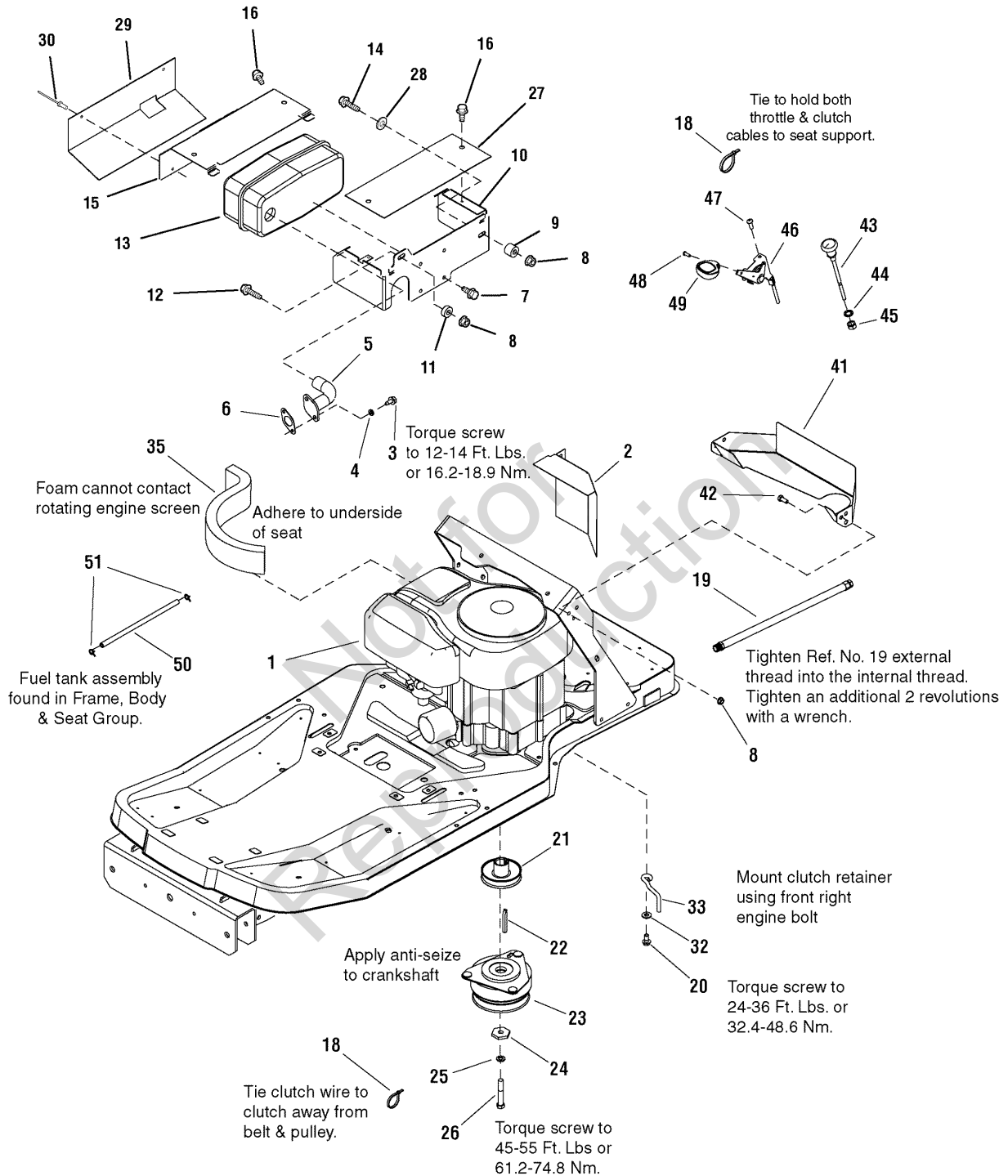
The above parts group applies to the following Mfg. Nos.:

2690642 - Axion

Engine Group - 20HP Briggs & Stratton

987607

NOTE: Unless noted otherwise, use the standard hardware torque specification chart.



The above parts group applies to the following Mfg. Nos.:

2690642 - Axion

Engine Group - 20HP Briggs & Stratton

REF NO	PART NO.	QTY.	DESCRIPTION
49	7100529SM	1	KNOB, Throttle
50	1718678SM	1	HOSE, Fuel, 19.5" (See Frame, Body & Seat Group for fuel tank assembly.)
51	2860112SM	2	CLAMP, Hose

Not for
Reproduction

Footnotes

Note * See Briggs & Stratton Engine Repair Parts.

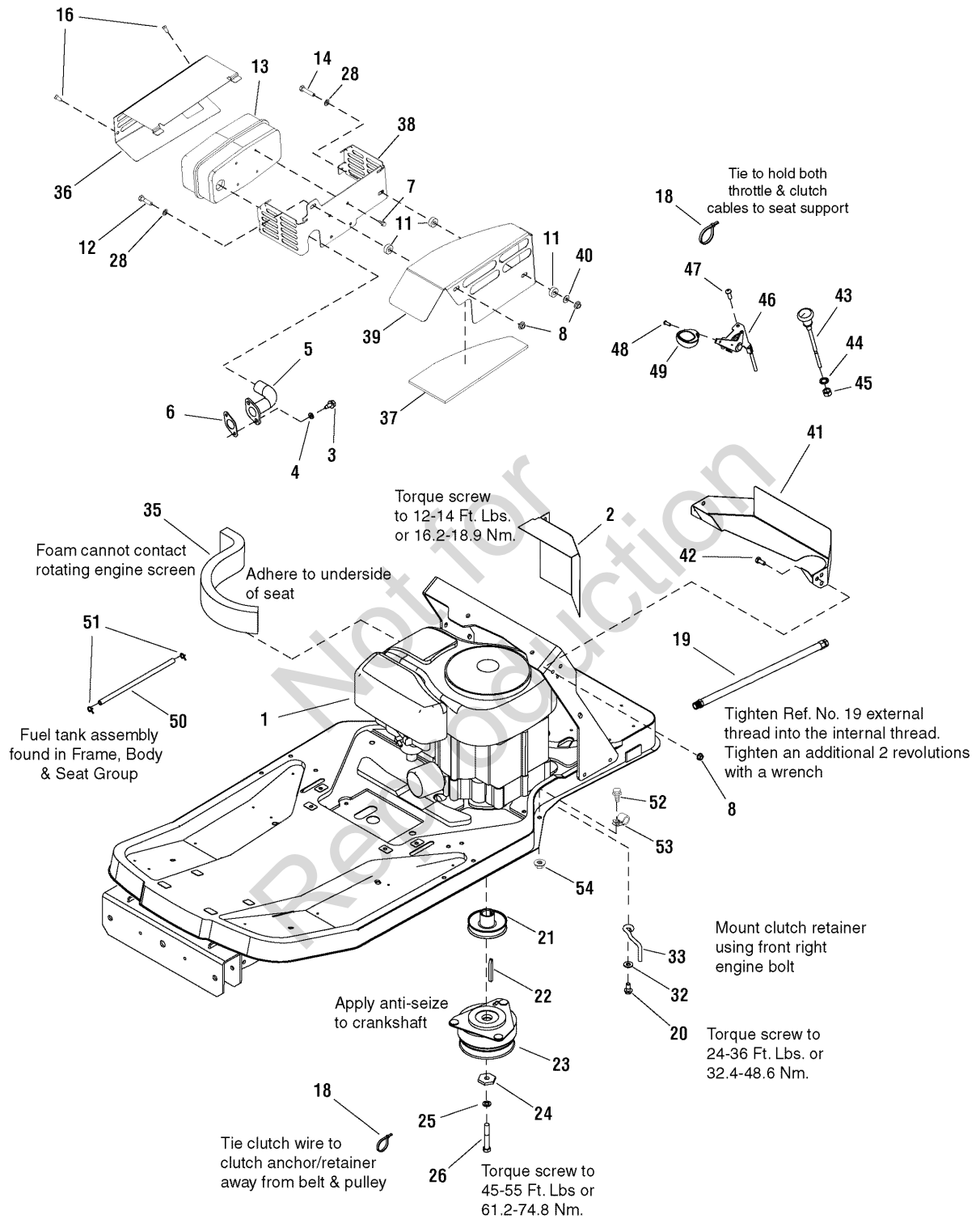
The above parts group applies to the following Mfg. Nos.:

2690642 - Axion

Engine Group - 20HP Briggs & Stratton (CE/Export)

987714

NOTE: Unless noted otherwise, use the standard hardware torque specification chart.



The above parts group applies to the following Mfg. Nos.:

- 2690715 - Axion
- 7800376 - Axion

Engine Group - 20HP Briggs & Stratton (CE/Export)

REF NO	PART NO.	QTY.	DESCRIPTION
1	31M977-0111-E1	1	*ENGINE, 20 HP B&S Intek (Engine model: 31M977-0111-E1)
1	33M677-0151-B1	1	*ENGINE, 20 HP B&S, Export (Engine model: 31M677-0151-B1)
2	1734150ASM	1	HEAT SHIELD, Inner
2	7300919ASM	1	HEAT SHIELD, Inner (CE/Export)
3	1936228SM	2	CAPSCREW, Hex Head, 5/16-18 x 3/4, G8
4	1917356SM	2	LOCKWASHER, Spring, 5/16
5	1732259SM	1	PIPE ASSEMBLY, Exhaust
6	1731214SM	1	GASKET, Exhaust
7	1960295SM	4	SCREW, Hex Whiz Lock Flange, 1/4-20 x 5/8
8	1927557SM	4	NUT, Hex Whiz Lock Flange, 5/16-18
11	1667811SM	1	SPACER, .390 ID x .9 OD x .34 LG, Powdered Metal
12	1921977SM	1	CAPSCREW, Hex Head, 5/16-18 x 1-1/4, G5
13	1732273SM	1	MUFFLER ASSEMBLY, Single
14	1921221SM	1	CAPSCREW, Hex Head, 5/16-18 x 1-1/2, G5
16	1960720SM	4	CAPSCREW, Thread Cutting, # 10 x 1/2
18	2832747SM	2	TIE, Self Locking, 3-5/8 LG
19	1726498SM	1	HOSE, Oil Drain, 16-1/2 LG
20	2828635SM	3	SCREW, Taptite Washer Head, 3/8-16 x 1-1/4
21	1727816SM	1	PULLEY ASSEMBLY, Engine
21	7101716SM	1	PULLEY, Engine (CE/Export)
22	2154096SM	1	KEY, Hi-Pro, 1/4 x 2-1/2
23	1686880SM	1	CLUTCH, Electric
24	1708264SM	1	WASHER, Hex, 1-1/2
25	1918199SM	1	LOCKWASHER, Spring, .438
26	1960648SM	1	CAPSCREW, Hex Head, 7/16-20 x 2-3/4, G5
28	1919326SM	2	WASHER, 5/16, .34 ID x 3/4 OD x .06 THK
32	1924940SM	1	WASHER, 3/8, .41 ID x .87 OD x .08 THK
33	1734049SM	1	RETAINER, Clutch
35	1734189SM	1	SEAL, Foam Air Duct, 1 x 2-1/2, 12" LG
36	1734032ASM	1	HEAT SHIELD, Single
37	1734062SM	1	INSULATION SHIELD, Top Muffler
38	1734017ASM	1	MUFFLER BRACKET/HEAT SHIELD
39	1734044ASM	1	GUARD, Muffler
40	1933988SM	1	NUT, Push Pal, 5/16
41	1734180ASM	1	AIR DUCT, Inlet
42	1921332SM	2	CAPSCREW, Hex Head, 5/16-18 x 3/4, G5
43	7100416SM	1	CABLE, Choke
44	7090390SM	1	WASHER, Lock Internal Tooth, 3/8
45	7091630SM	1	NUT, Hex, 3/8
46	7075449SM	1	CONTROL, Throttle

Footnotes

Note * See Briggs & Stratton Engine Repair Parts.

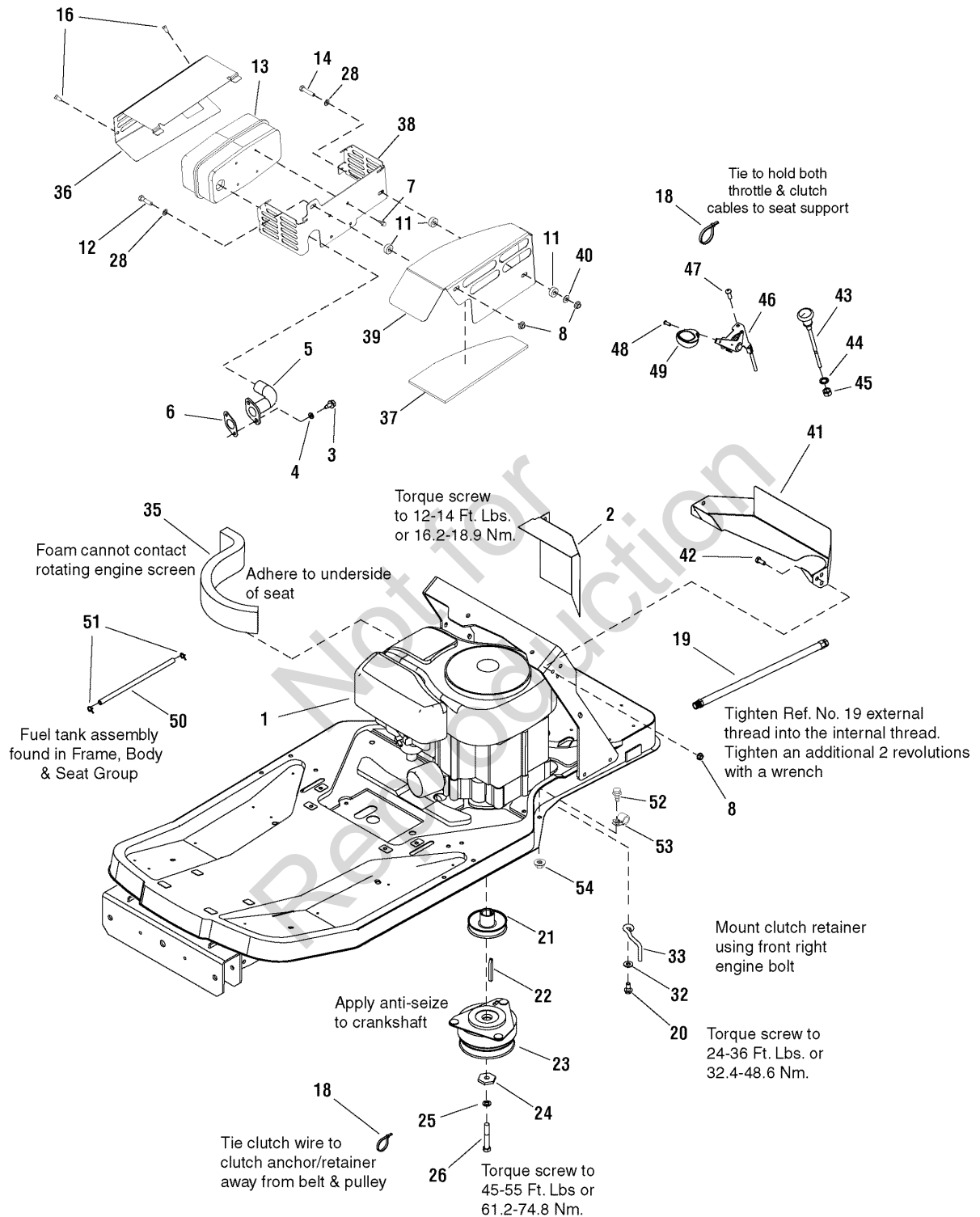
The above parts group applies to the following Mfg. Nos.:

2690715 - Axion
7800376 - Axion

Engine Group - 20HP Briggs & Stratton (CE/Export)

987714

NOTE: Unless noted otherwise, use the standard hardware torque specification chart.



The above parts group applies to the following Mfg. Nos.:

- 2690715 - Axion
- 7800376 - Axion

Engine Group - 20HP Briggs & Stratton (CE/Export)

REF NO	PART NO.	QTY.	DESCRIPTION
47	7090999SM	2	SCREW, Pan Head Taptite Torx, 1/4-20 x 5/8
48	7091195SM	1	SCREW, Pan Head Taptite Combo, 3/10-16 x 3/4
49	7100529SM	1	KNOB, Throttle
50	1734995SM	1	HOSE, Fuel, 19.5" (See Frame, Body & Seat Group for fuel tank assembly.)
51	7029900SM	2	CLAMP, Hose
52	1930591SM	1	CAPSCREW, Hex Whiz Lock Flange, 5/16-18 x 3/4
53	7900020SM	1	CLIP, Harness
54	1931277SM	1	NUT, Hex Whiz Lock Flange

Not for
Reproduction

Footnotes

Note * See Briggs & Stratton Engine Repair Parts.

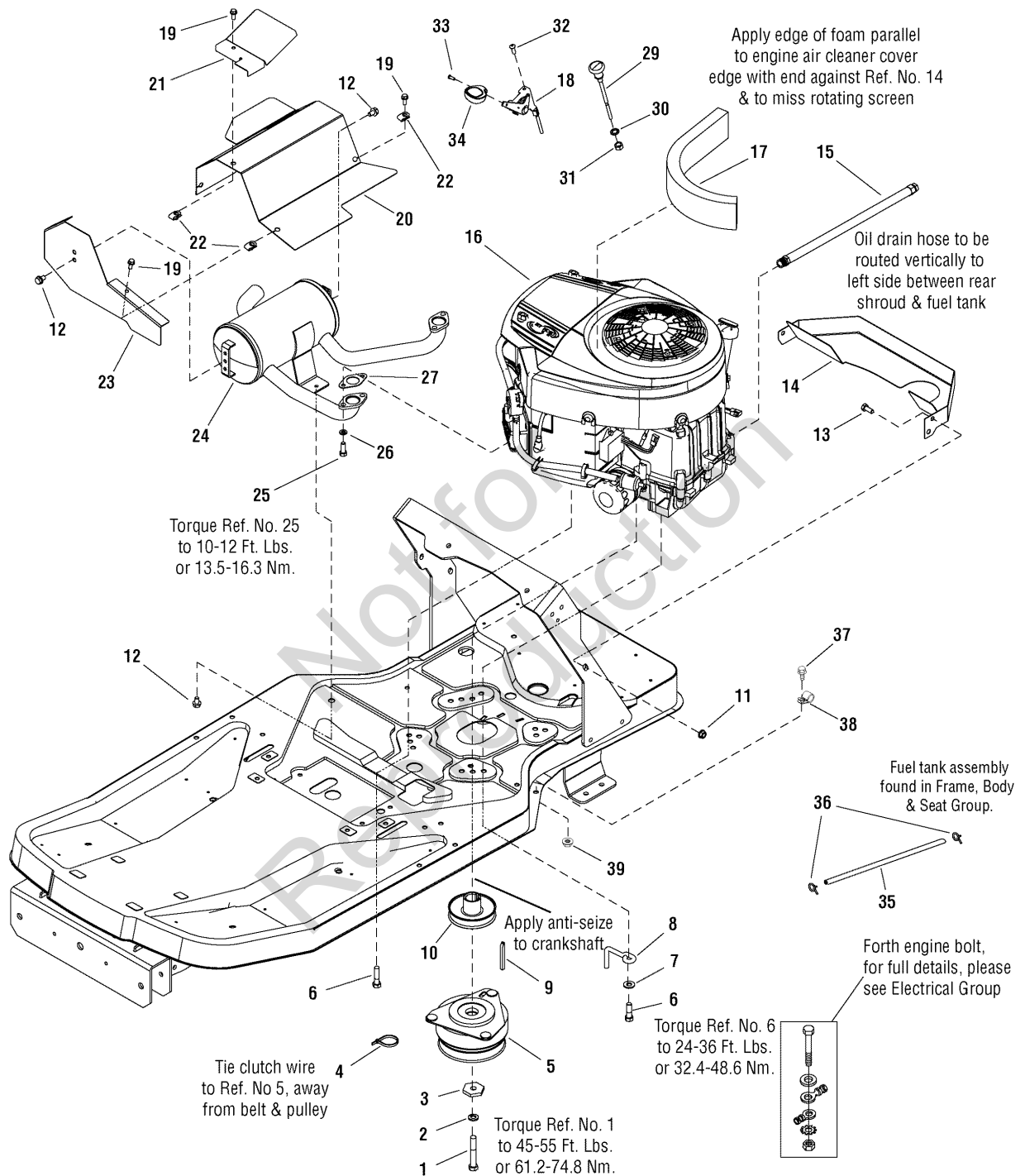
The above parts group applies to the following Mfg. Nos.:

2690715 - Axion
7800376 - Axion

Engine Group - 24HP Briggs & Stratton

987609

NOTE: Unless noted otherwise,
use the standard hardware torque
specification chart.



The above parts group applies to the following Mfg. Nos.:

- 2690644 - Axion
- 2690771 - Axion

Engine Group - 24HP Briggs & Stratton

REF NO	PART NO.	QTY.	DESCRIPTION
1	1960648SM	1	CAPSCREW, Hex Head, 7/16-20 x 2-3/4, G5
2	1918199SM	1	LOCKWASHER, Spring
3	1708264SM	1	WASHER, Hex, 7/16
4	2832747SM	1	TIE, Self-Locking, 3.62"
5	1717664SM	1	CLUTCH, Electric Ogura
6	2828635SM	3	SCREW, Hex Washer Head Taptite, 3/8-16 x 1-1/4
7	1924940SM	1	WASHER, 3/8
8	1734049SM	1	RETAINER, Clutch
9	1720463SM	1	KEY, Hi-Pro, 1/4 x 2-1/2
10	1727816SM	1	PULLEY ASSEMBLY, Engine
11	1931277SM	2	NUT, Hex Whiz Lock Flange, 5/16-18
12	1924856SM	4	SCREW, Hex Washer Head Taptite, 5/16-18 x 1/2
13	1921332SM	2	CAPSCREW, Hex Head, 5/16-18 x 3/4, G5
14	1733414ASM	1	AIR DUCT, Inlet
15	1726498SM	1	HOSE, Oil Drain, 16.5"
16	44M777-0113-E1	1	*ENGINE, 24HP B&S (Engine Model: 44M777-0113-E1)
17	1734169SM	1	SEAL, Foam Air Inlet
18	1734332SM	1	THROTTLE ASSEMBLY
19	1960295SM	4	SCREW, Hex Whiz Lock Flange, 1/4-20 x 5/8
20	1734246ASM	1	HEAT SHIELD, Muffler Top
21	1728017SM	1	HEAT SHIELD, Throttle
22	1960368SM	4	NUT, Speed, 1/4-20
23	1727939ASM	1	HEAT SHIELD, Muffler Side
24	1734061SM	1	MUFFLER, 24HP V-Twin ELS
25	1936228SM	4	CAPSCREW, Hex Head, 5/16-18 x 3/4, G8
26	1917356SM	4	LOCKWASHER, Spring, 5/16
27	1731214SM	2	GASKET, Exhaust
28	1734273SM	1	DECAL, Hot Exhaust
29	1734333SM	1	CABLE, Choke
30	7090390SM	1	WASHER, Lock Internal Tooth, 3/8
31	7091630SM	1	NUT, Hex, 3/8
32	7090999SM	2	SCREW, Taptite Pan Head Torx, 1/4-20 x 5/8
33	7091195SM	1	SCREW, Taptite Pan Head Combo, #10-16 x 3/4
34	7100529SM	1	KNOB, Throttle
35	1718678SM	1	HOSE, Fuel, 19.5" (See Frame, Body & Seat Group for fuel tank assembly.)
36	2860112SM	2	CLAMP, Hose

Footnotes

Note * See Briggs & Stratton Engine Repair Parts.

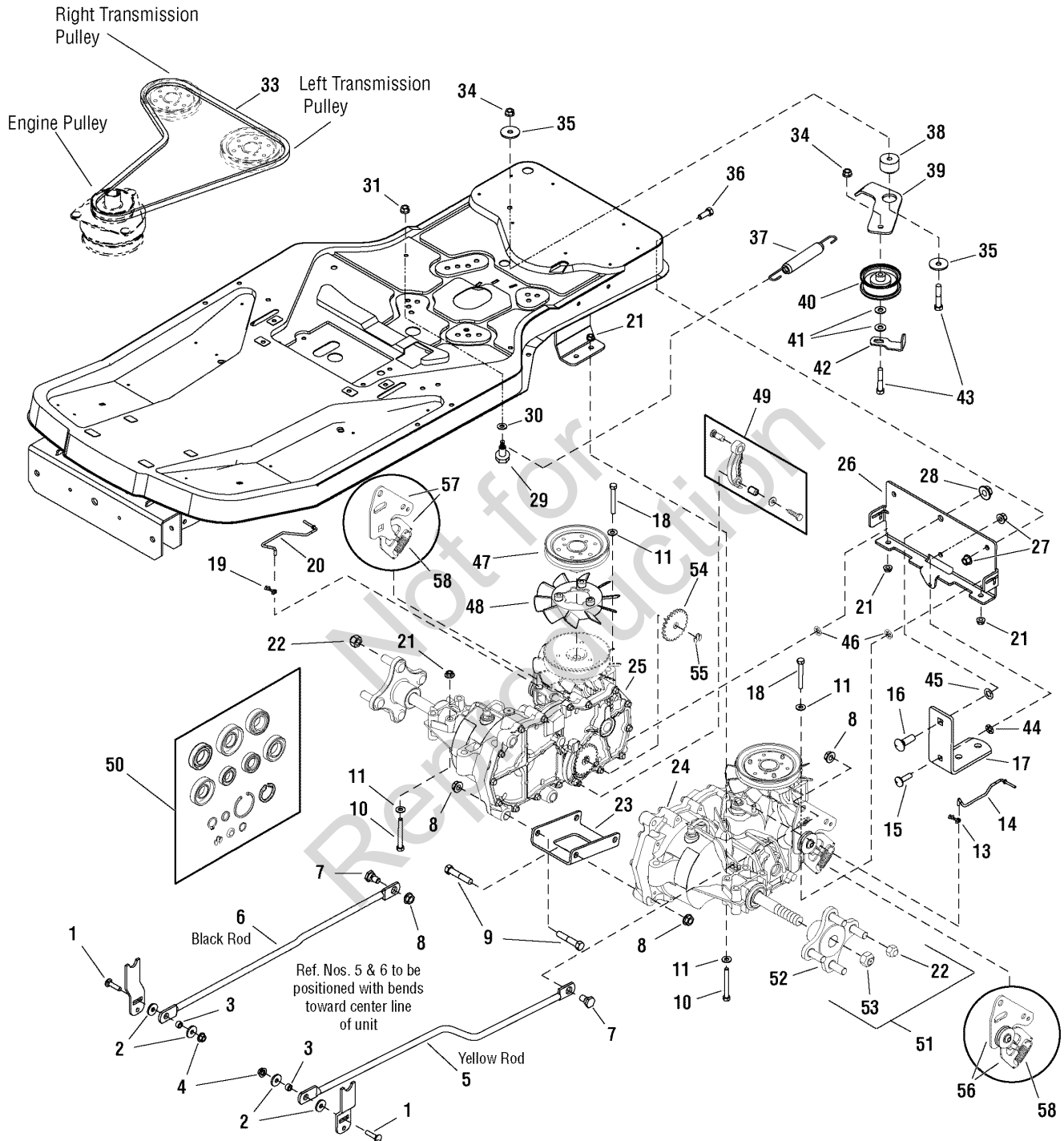
The above parts group applies to the following Mfg. Nos.:

2690644 - Axion
2690771 - Axion

Transmission Group

987493

NOTE: Unless noted otherwise, use the standard hardware torque specification chart.



The above parts group applies to the following Mfg. Nos.:

- 2690642 - Axion
- 2690644 - Axion
- 2690715 - Axion
- 2690771 - Axion
- 7800376 - Axion

Transmission Group

REF NO	PART NO.	QTY.	DESCRIPTION
1	1960223SM	2	BOLT, Carriage, 5/16-18 x 1-1/4, G5
2	1919381SM	4	WASHER, .34 ID x 1 OD x .13 THK
3	1703900SM	2	SPACER
4	1960684SM	2	NUT, Hex Keps, 5/16-18
5	1727555SM	1	ROD, Control L.H.
6	1727556SM	1	ROD, Control R.H.
7	1727831SM	2	BOLT, Shoulder
8	1930650SM	6	NUT, Hex Flange Two-Way Lock, 7/16-14
9	1927120SM	4	CAPSCREW, Hex Head, 7/16-14 x 2-1/4, G8
10	1923141SM	4	CAPSCREW, Hex Head, 5/16-18 x 2-3/4, G5
11	1919326SM	6	WASHER, .34 ID x 3/4 OD x .06 THK
13	1717024SM	1	CLIP, Rod End Linkage
14	1733913SM	1	ROD, Tow Valve L.H.
15	1960268SM	1	BOLT, Carriage, 3/8-16 x 1-1/4, G5
16	1960758SM	1	BOLT, Carriage, 1/2-13 x 1-1/2, G5
17	1733305ASM	1	DRAWBAR
18	1921719SM	2	CAPSCREW, Hex Head, 5/16-18 x 2-1/2, G5
19	1725550SM	1	CLIP, Rod End Linkage
20	1733914SM	1	ROD, Tow Valve R.H.
21	1931277SM	6	NUT, Hex Flange Whiz Lock, 5/16-18
22	5020601SM	8	NUT, Wheel Hex, 1/2-20
23	1733309ASM	1	SUPPORT, Transmission Center
24	1733351SM	1	TRANSMISSION, Hydro Gear EZT L.H.
25	1733352SM	1	TRANSMISSION, Hydro Gear EZT R.H.
26	1733302ASM	1	SUPPORT, Transmission Rear
27	1960687SM	3	NUT, Hex Flange, 3/8-16 ESNA
28	5025396SM	1	NUT, Hex Flange, 1/2-13
29	1728976SM	1	BOLT, Shoulder
30	1924874SM	1	WASHER, .34 ID x .87 OD x .06 THK
31	1927557SM	1	NUT, Hex Flange, 5/16-18
33	1732224SM	1	V-BELT, Transmission Drive, 54.4
34	1930645SM	2	NUT, Hex Flange Two-Way Lock, 3/8-16
35	1924356SM	2	WASHER, .41 ID x 1-1/2 OD x .12 THK
36	1921210SM	2	CAPSCREW, Hex Head, 3/8-16 x 1, G5
37	1734316SM	1	SPRING, Extension
38	1729007SM	1	SPACER, Powdered Metal
39	1733303ASM	1	ARM, Idler
40	1721133SM	1	PULLEY, Idler Flat
41	1924940SM	2	WASHER, .41 ID x .87 OD x .08 THK
42	1708352ASM	1	BELT GUIDE

Footnotes

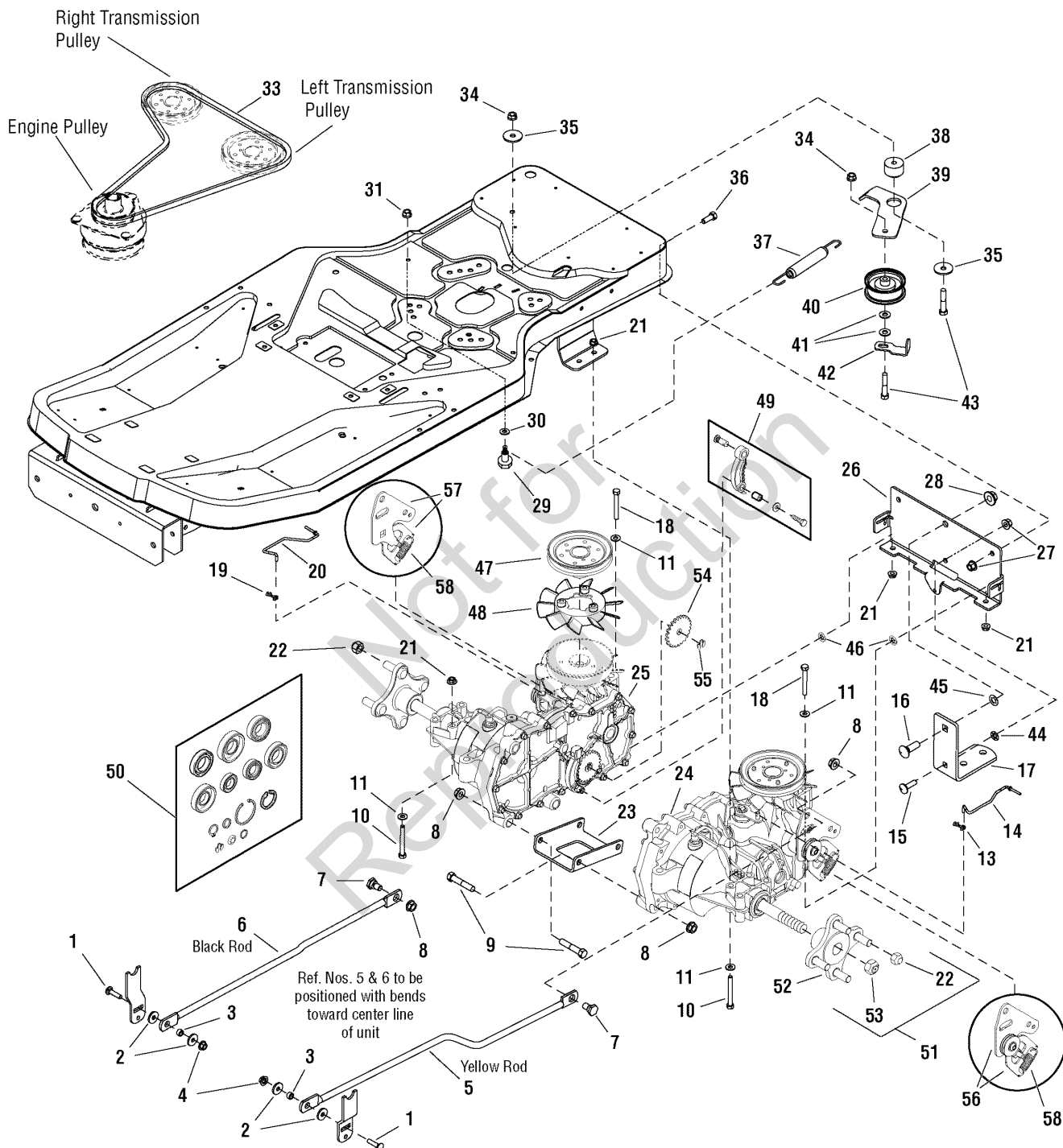
The above parts group applies to the following Mfg. Nos.:

2690642 - Axion
2690644 - Axion
2690715 - Axion
2690771 - Axion
7800376 - Axion

Transmission Group

987493

NOTE: Unless noted otherwise, use the standard hardware torque specification chart.



The above parts group applies to the following Mfg. Nos.:

- 2690642 - Axion
- 2690644 - Axion
- 2690715 - Axion
- 2690771 - Axion
- 7800376 - Axion

Transmission Group

REF NO	PART NO.	QTY.	DESCRIPTION
43	1923701SM	2	CAPSCREW, Hex Head, 3/8-16 x 2, G5
44	1931942SM	1	NUT, Push Pal, 3/8
45	1960759SM	1	NUT, Push Pal, 1/2
46	1933988SM	2	NUT, Push Pal, 5/16
47	1728073SM	2	PULLEY, 4-1/2" Transmission
48	1728074SM	2	FAN, 6" Transmission
49	1728075SM	1	PARKING BRAKE ARM ASSEMBLY, Transmission
50	1728060SM	1	HYDRO SEAL KIT
51	1687329SM	2	HUB REPLACEMENT KIT (Includes Ref. Nos. 52 & 53)
52	--	2	HUB, EZT Transmission (Included in Ref. No. 51)
53	--	2	NUT, EZT Transmission (Included in Ref. No. 51)
54	1728076SM	1	GEAR, Parking Brake, Transmission
55	1716622SM	1	CLIP, E Transmission Parking Brake
56	1735490SM	1	ARM, Control Kit L.H.
57	1735491SM	1	ARM, Control Kit R.H.
58	1735483SM	2	SPRING, Extension (Used only on Hydro Gear P/N ZC-AHBB-2A7B-1DPX and ZC-DHBB-2A7C-1DPX)
58	1735482SM	2	SPRING, Extension (Used only on Hydro Gear P/N ZC-AHBB-2ADB-1DPX and ZC-DHBB-2ADC-1DPX)

Not for
Reproduction

Footnotes

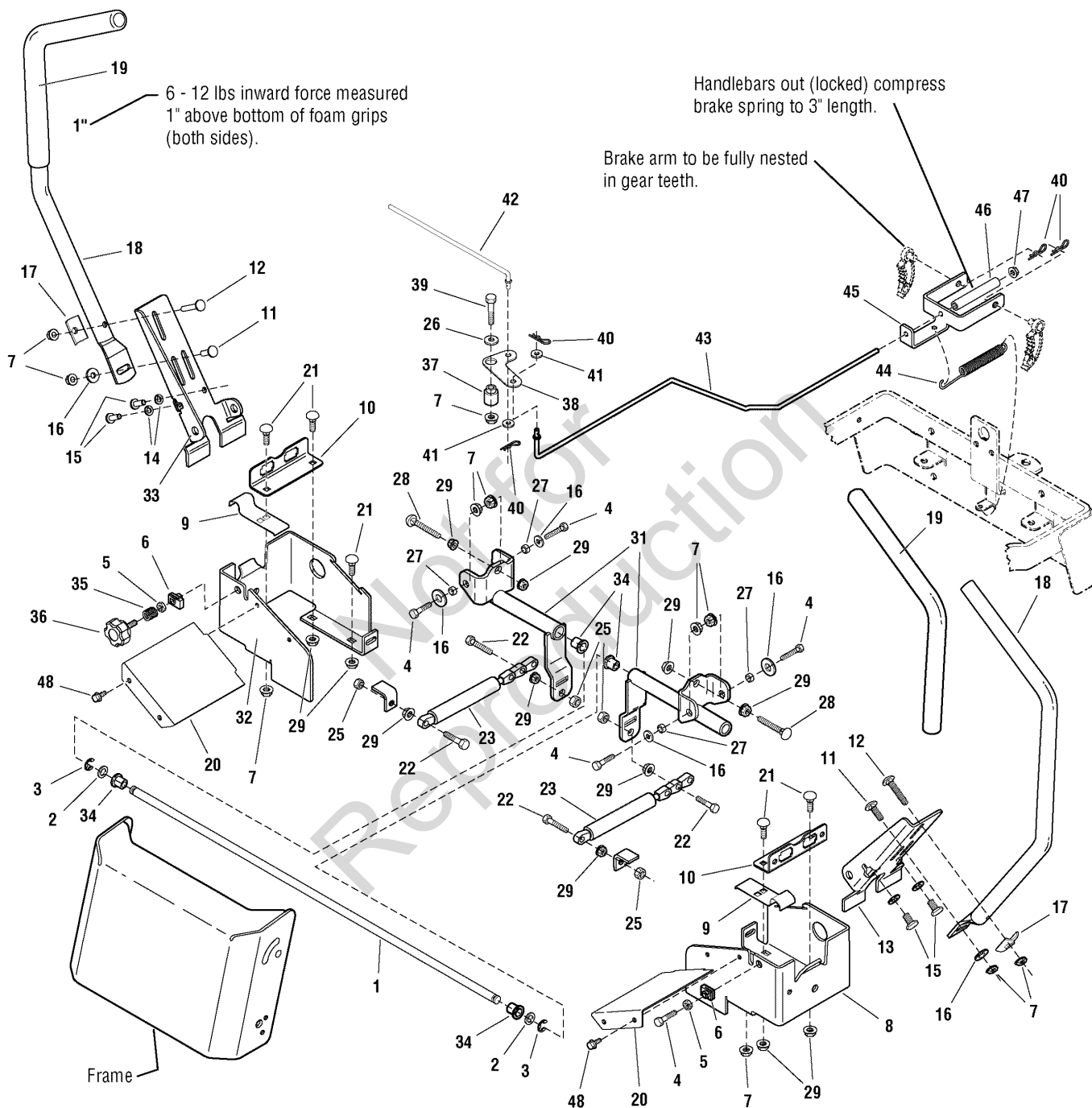
The above parts group applies to the following Mfg. Nos.:

2690642 - Axion
2690644 - Axion
2690715 - Axion
2690771 - Axion
7800376 - Axion

Controls Group

986806

NOTE: Unless noted otherwise,
use the standard hardware torque
specification chart.



The above parts group applies to the following Mfg. Nos.:

- 2690642 - Axion
- 2690644 - Axion
- 2690715 - Axion
- 2690771 - Axion
- 7800376 - Axion

Controls Group

REF NO	PART NO.	QTY.	DESCRIPTION
1	1725927SM	1	SHAFT, Cross
2	1960027SM	2	WASHER, 1/2
3	1703805SM	2	RING, Klipping Extension
4	1921977SM	5	CAPSCREW, Hex Head, 5/16-18 x 1-1/4, G5
5	1920161SM	6	NUT, Hex Jam, 5/16-18
6	1960717SM	2	NUT, Speed, 5/16-18 Lug Type
7	1960686SM	15	NUT, Hex Flange, 5/16-18 ESNA
8	1728009ASM	1	BRACKET, L.H. Mounting Handle Pivot
9	1727919SM	2	CLIP, Brake
10	1727663ASM	2	BRACKET, "L" Switch
11	1931335SM	2	BOLT, Carriage, 5/16-18 x 1, G5
12	1931338SM	2	BOLT, Carriage, 5/16-18 x 1-3/4, G5
13	1727926ASM	1	BRACKET, Tube Mount L.H.
14	1917356SM	4	LOCKWASHER, Spring, 5/16
15	1960086SM	4	SCREW, Truss Head Torx Drive, 5/16-18 x 7/8
16	1919381SM	6	WASHER, 5/16
17	1720452SM	2	CLAMP, Saddle Snow Handle, E-Coat
18	1727796ASM	2	TUBE, Handle
19	1726410SM	2	GRIP, Foam Handle
20	1727933ASM	2	COVER, Lower Handle
21	1931335SM	6	BOLT, Carriage, 5/16-18 x 1
22	1921221SM	4	CAPSCREW, Hex Head, 5/16-18 x 1-1/2, G5
23	1727918SM	2	SHOCK ABSORBER
25	1919438SM	4	NUT, Hex Lock ESNA Light, 5/16-18NC-3B
26	1919326SM	1	WASHER, 5/16
27	1666697SM	4	SPACER, Powdered Metal
28	1960723SM	2	BOLT, Carriage, 5/16-18 x 2-1/4, G5
29	1931277SM	8	NUT, Hex Flange Whiz Lock, 5/16-18
31	1727603ASM	2	PIVOT ASSEMBLY, Control
32	1728010ASM	1	BRACKET, R.H. Mounting Handle Pivot
33	1727927ASM	1	BRACKET, Tube Mount R.H.
34	1715025SM	4	BUSHING
35	1701342SM	1	SPRING, Compression (Early Models)
36	1726839SM	1	KNOB, Extension Thread, 5/16-18 x 1-1/4
37	1666106SM	1	BUSHING, Powdered Metal
38	1727667SM	1	BRACKET, Pivot
39	1922127SM	1	CAPSCREW, Hex Head, 5/16-18 x 1-3/4, G5
40	1722460SM	4	PIN, Quick
41	1921319SM	2	WASHER, 1/4
42	1727669SM	1	ROD, Pivot

Footnotes

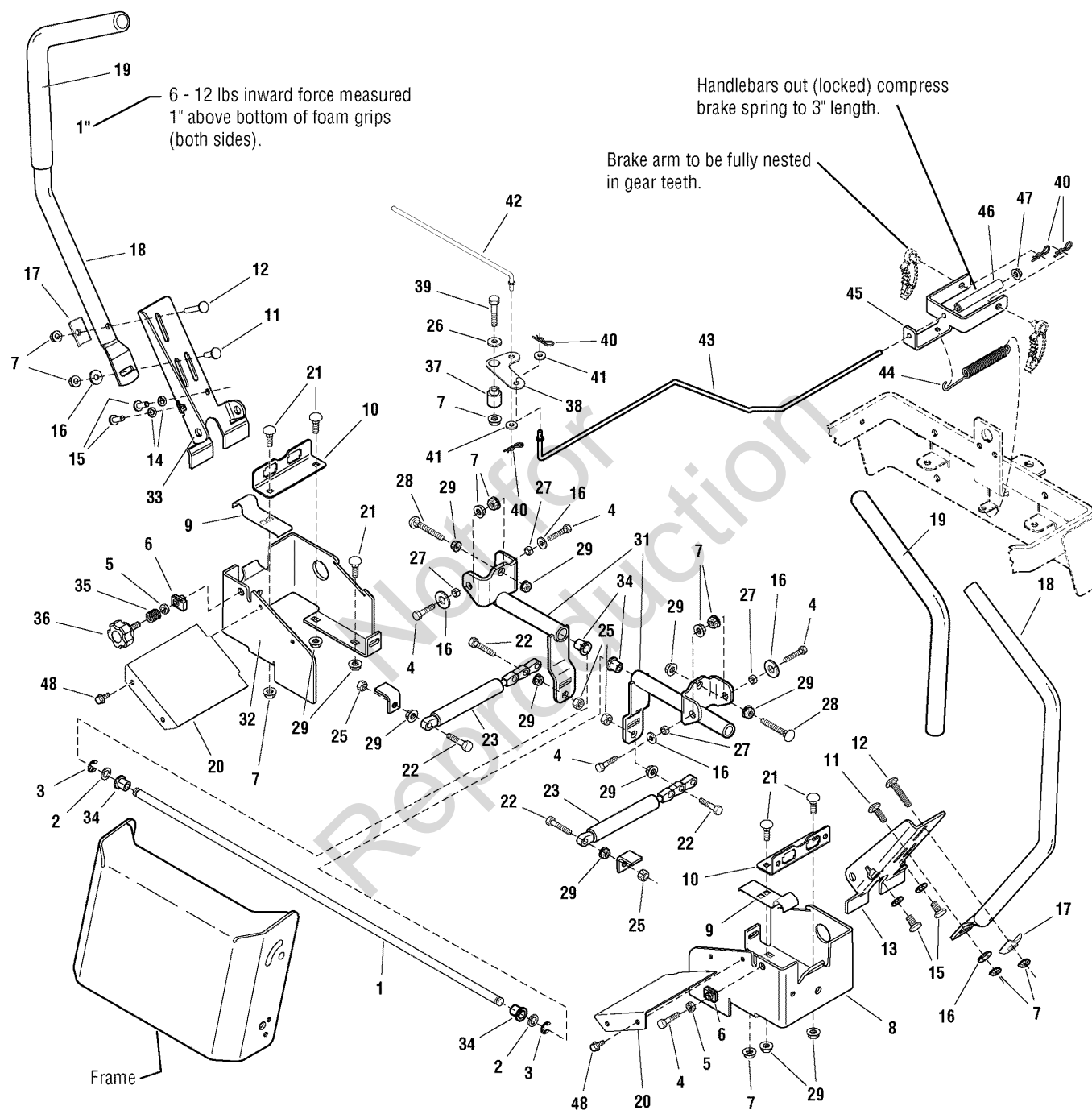
The above parts group applies to the following Mfg. Nos.:

2690642 - Axion
2690644 - Axion
2690715 - Axion
2690771 - Axion
7800376 - Axion

Controls Group

986806

NOTE: Unless noted otherwise, use the standard hardware torque specification chart.



The above parts group applies to the following Mfg. Nos.:

- 2690642 - Axion
- 2690644 - Axion
- 2690715 - Axion
- 2690771 - Axion
- 7800376 - Axion

Controls Group

REF NO	PART NO.	QTY.	DESCRIPTION
43	1733357SM	1	ROD, 1/4-20 x 2
44	1709314SM	1	SPRING, Extension
45	1727814ASM	1	BRACKET, Duel Brake
46	1729277SM	1	SPRING, Compression
47	1960694SM	1	NUT, Hex Flange, 1/4-20 ESNA
48	1925003SM	2	SCREW, Hex Washer Head Taptite, 1/4-20 x 1/2

Not for
Reproduction

Footnotes

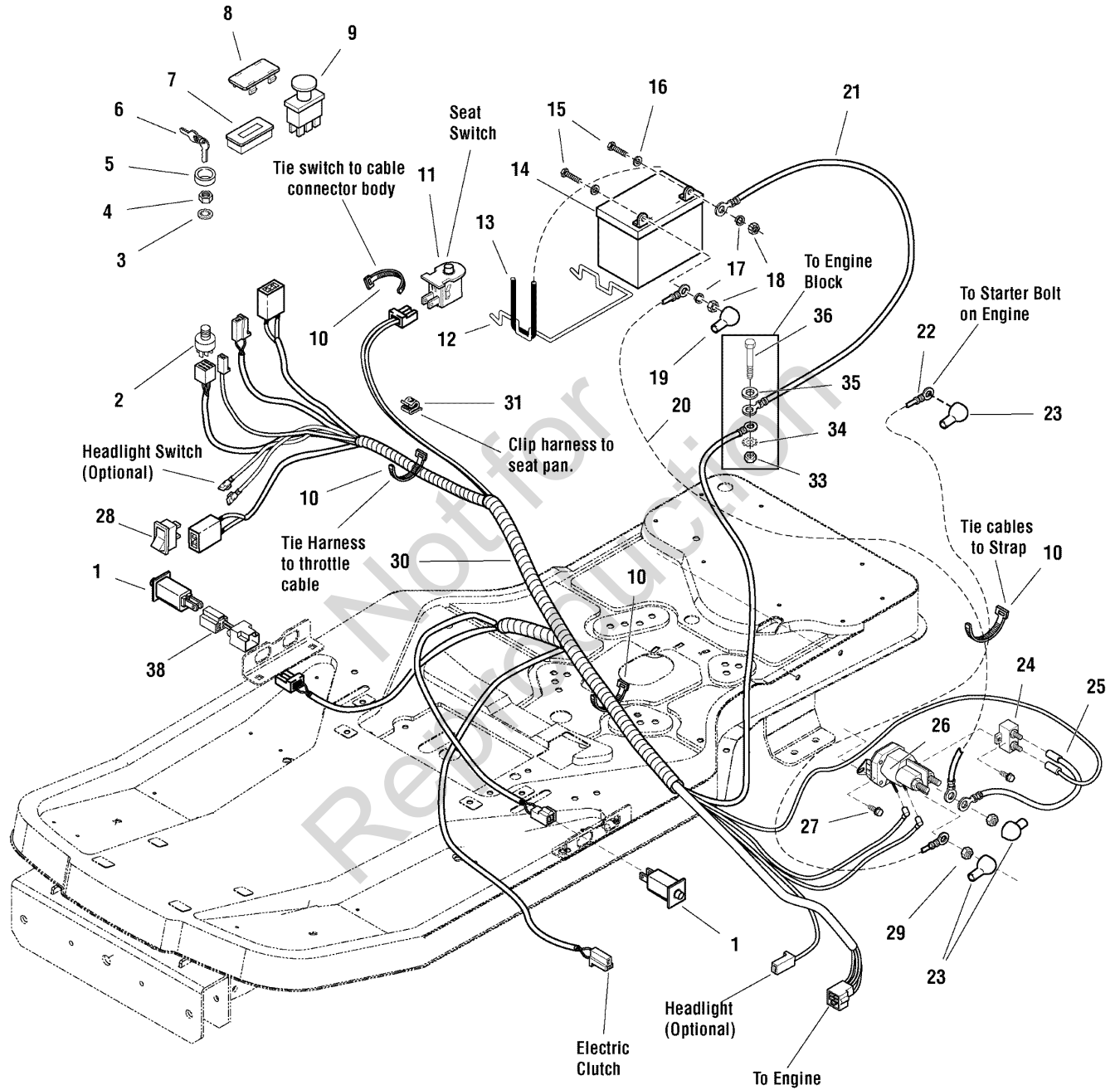
The above parts group applies to the following Mfg. Nos.:

2690642 - Axion
2690644 - Axion
2690715 - Axion
2690771 - Axion
7800376 - Axion

Electrical Group - Main Harness 1734127SM

987715

NOTE: Unless noted otherwise, use the standard hardware torque specification chart.



The above parts group applies to the following Mfg. Nos.:

- 2690642 - Axion
- 2690644 - Axion
- 2690715 - Axion
- 2690771 - Axion

Electrical Group - Main Harness 1734127SM

REF NO	PART NO.	QTY.	DESCRIPTION
1	1732006SM	2	SWITCH, Push Button
2	1686734SM	1	SWITCH ASSEMBLY, Ignition, 5/8-32 6 Pin Indak (Includes Ref. Nos. 20, 21, 26, & 37)
3	1960547SM	1	LOCKWASHER, Internal Tooth, 5/8 Thin
4	1717549SM	1	NUT, Hex Flange, 5/8-32 IGN SW Die Cast
5	1717550SM	1	COVER, Ignition Switch
6	1717163SM	2	KEYS (Set of Two)
7	1731185SM	1	HOUR METER, No Alarms
8	1722611SM	1	PLUG, Hole
9	1722887SM	1	SWITCH, PTO Push/Pull Symbols
10	2825094SM	4	TIE, Self Locking, .184 WD 7.31 LG
11	1732005SM	1	SWITCH, Push Button
12	1667805SM	1	BRACE, Battery, .19 DIA Wire
13	1665872SM	1	STRAP, Black Rubber, .19 SQ 7.88 OD Battery
14	7100449SM	1	BATTERY, 12 Volt 6 Cell 230 CCA
15	2823341SM	2	CAPSCREW, Hex Head, 1/4-20 x 3/4, G5
16	2821319SM	2	WASHER, 1/4, .27 ID x .62 OD x .05 THK
17	2816964SM	2	LOCKWASHER, Spring, 1/4
18	2816622SM	2	NUT, Hex, 1/4-20 NC-2B
19	1677296SM	1	BOOT, Insulator, Red PVC Warning
20	1716549SM	1	CABLE, # 6 x 10 LG, Red Two-Ring Terminals
21	1713163SM	1	CABLE, # 6 X 26 LG, Two-Ring Terminals
22	1727668SM	1	CABLE, # 6 x 15 LG, Two-Ring Terminals
23	1724588SM	3	COVER, Terminal Red PVC
24	1665238SM	1	BREAKER, Circuit, 12 Volt 20 AMP
25	1665237SM	1	WIRE, 12 Gauge, 7.9 LG
26	7075622SM	1	SOLENOID, Two Terminals, Trombetta
27	1925003SM	2	SCREW, Hex Washer Head Taptite, 1/4-20 x 1/2
28	1734141SM	1	SWITCH, Electric Height of Cut
29	2860750SM	2	NUT, Hex Keps, 5/16-24
30	1734127SM	1	HARNESS, Wiring
31	2172434SM	1	CABLE, Clip
33	1931277SM	1	NUT, Hex Whiz Lock Flange, 5/16-18
34	2820427SM	1	LOCKWASHER, External Tooth, 3/8
35	1919326SM	1	WASHER, 5/16, .34 ID x 3/4 OD x .06 THK
36	1921978SM	1	CAPSCREW, Hex Head, 5/16-18 x 2, G5
38	1734025SM	1	WIRING ASSEMBLY, Jumper All Conditions Shutdown (Export Models)

Footnotes

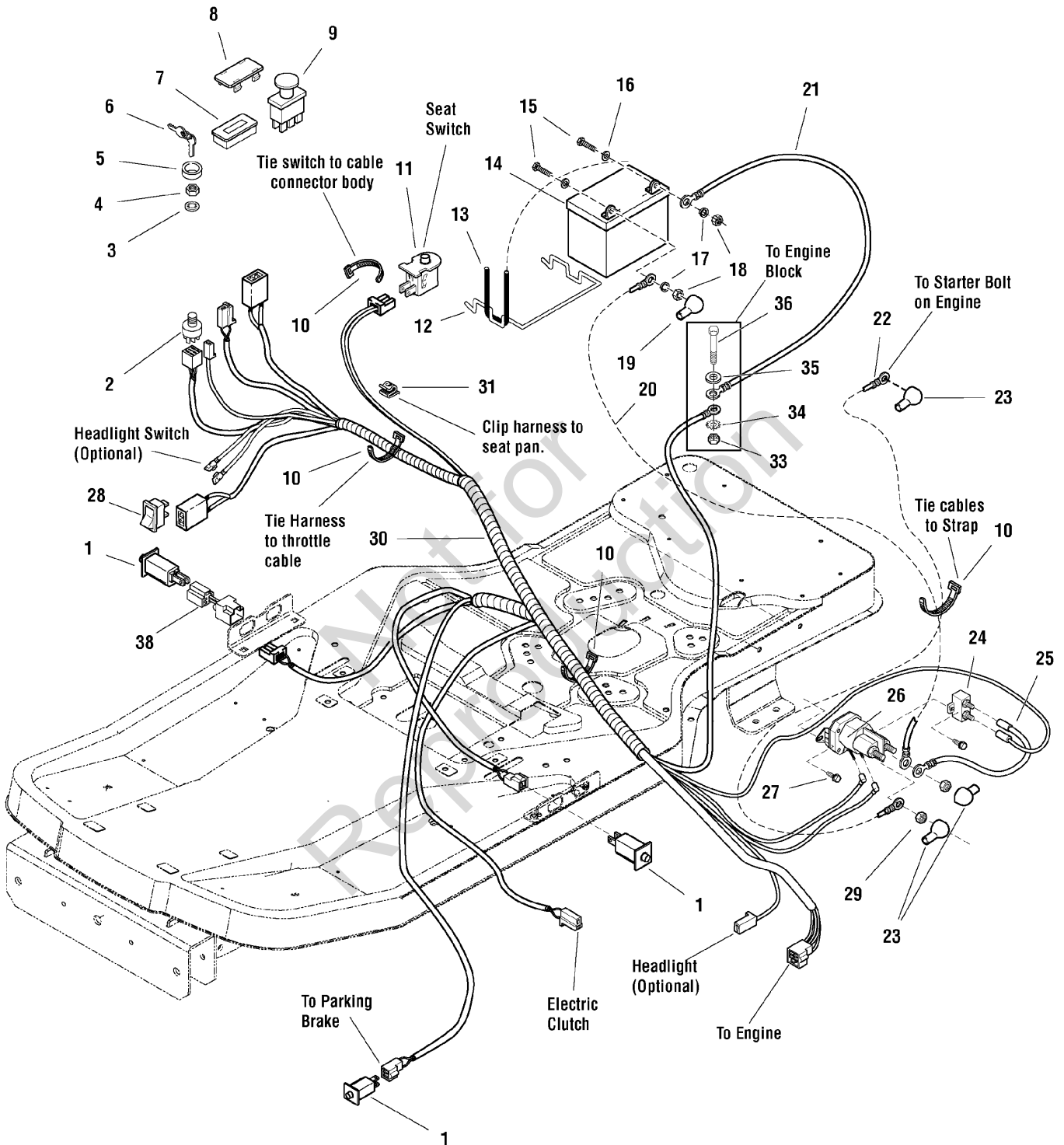
The above parts group applies to the following Mfg. Nos.:

2690642 - Axion
2690644 - Axion
2690715 - Axion
2690771 - Axion

Electrical Group - Main Harness 7103103YP

NOTE: Unless noted otherwise, use the standard hardware torque specification chart.

7501166



The above parts group applies to the following Mfg. Nos.:
7800376 - Axion

Electrical Group - Main Harness 7103103YP

REF NO	PART NO.	QTY.	DESCRIPTION
1	7022886YP	3	SWITCH, Push Button
2	1686734SM	1	SWITCH ASSEMBLY, Ignition, 5/8-32 6 Pin Indak (Includes Ref. Nos. 20, 21, 26, & 37)
3	1960547SM	1	LOCKWASHER, Internal Tooth, 5/8 Thin
4	1717549SM	1	NUT, Hex Flange, 5/8-32 IGN SW Die Cast
5	1717550SM	1	COVER, Ignition Switch
6	1717163SM	2	KEYS (Set of Two)
7	1731185SM	1	HOUR METER, No Alarms
8	1722611SM	1	PLUG, Hole
9	1722887SM	1	SWITCH, PTO Push/Pull Symbols
10	1701011SM	4	TIE, Self Locking
11	7023354YP	1	SWITCH, Seat
12	1667805SM	1	BRACE, Battery, .19 DIA Wire
13	1665872SM	1	STRAP, Black Rubber, .19 SQ 7.88 OD Battery
14	1685215SM	1	BATTERY, 12 Volt 6 Cell 230 CCA
15	2823341SM	2	CAPSCREW, Hex Head, 1/4-20 x 3/4, G5
16	2821319SM	2	WASHER, 1/4, .27 ID x .62 OD x .05 THK
17	2816964SM	2	LOCKWASHER, Spring, 1/4
18	2816622SM	2	NUT, Hex, 1/4-20 NC-2B
19	1677296SM	1	BOOT, Insulator, Red PVC Warning
20	1716549SM	1	CABLE, # 6 x 10 LG, Red Two-Ring Terminals
21	1713163SM	1	CABLE, # 6 X 26 LG, Two-Ring Terminals
22	1727668SM	1	CABLE, # 6 x 15 LG, Two-Ring Terminals
23	1724588SM	3	COVER, Terminal Red PVC
24	1665238SM	1	BREAKER, Circuit, 12 Volt 20 AMP
25	1665237SM	1	WIRE, 12 Gauge, 7.9 LG
26	7075622SM	1	SOLENOID, Two Terminals, Trombetta
27	1925003SM	2	SCREW, Hex Washer Head Taptite, 1/4-20 x 1/2
28	1734141SM	1	SWITCH, Electric Height of Cut
29	2860750SM	2	NUT, Hex Keps, 5/16-24
30	7103103YP	1	HARNESS, Wiring
31	2172434SM	1	CABLE, Clip
33	1931277SM	1	NUT, Hex Whiz Lock Flange, 5/16-18
34	2820427SM	1	LOCKWASHER, External Tooth, 3/8
35	1919326SM	1	WASHER, 5/16, .34 ID x 3/4 OD x .06 THK
36	7027174SM	1	CAPSCREW, Hex Head, 5/16-18 x 2
38	1734025SM	1	WIRING ASSEMBLY, Jumper All Conditions Shutdown (Export Models)

Footnotes

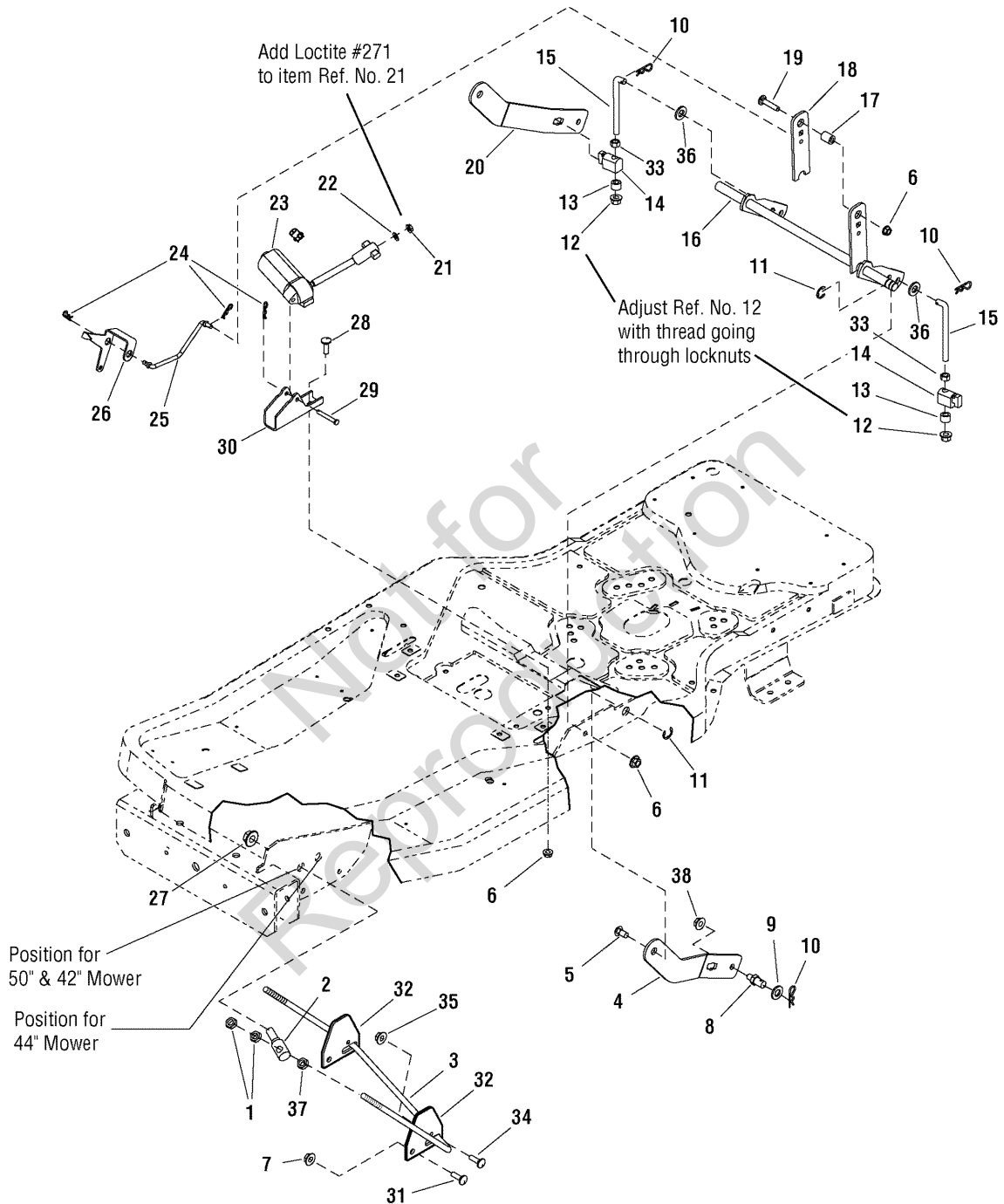
The above parts group applies to the following Mfg. Nos.:

7800376 - Axion

Lift Group

987488

NOTE: Unless noted otherwise, use the standard hardware torque specification chart.



The above parts group applies to the following Mfg. Nos.:

- 1695447 - 50" Mower
- 1695447 - 42" Mower
- 7800376 - Axion
- 2690642 - Axion
- 2690644 - Axion
- 2690715 - Axion
- 2690771 - Axion

Lift Group

REF NO	PART NO.	QTY.	DESCRIPTION
1	1922007SM	4	NUT, Hex Jam, 7/16-14, NC-2B
2	1734042SM	2	TRUNNION
3	1733381SM	1	ROD, Bail
4	1733535ASM	1	ARM, Mower Lift L.H.
5	009X67MA	2	BOLT, Shoulder
6	1931277SM	5	NUT, Hex Whiz Lock Flange, 5/16-18
7	1931211SM	4	NUT, Hex Whiz Lock Flange, 3/8-16 (Used on 44" & 50" Models only)
8	094067MA	2	PIN, Threaded Shoulder
9	1960170SM	2	WASHER, 1/2"
10	1960074SM	4	CLIP, Hair Pin
11	1704420SM	2	RING, Klipring, 5/8"
12	1960687SM	2	NUT, Hex Flange, 3/8-16 ESNA
13	1666294SM	2	SPACER
14	1731894SM	2	TRUNNION
15	1734217SM	2	ROD, Mower Lift 3/8-16 x 1 LG Thread
16	1733356ASM	1	LIFT SHAFT ASSEMBLY
17	1673796SM	1	SPACER, Powdered Metal
18	1734336ASM	1	ARM, Lift Trunnion
19	1931337SM	1	BOLT, Carriage, 5/16-18 x 1-1/2, G5
20	1733536ASM	1	ARM, Mower Lift R.H.
21	1960757SM	1	NUT, Hex, 1/4-20 L.H. Thread
22	1921319SM	1	WASHER, 1/4"
23	1733513SM	1	MOTOR, Mini Actuator
24	1722460SM	3	PIN, Quick
25	1733572SM	1	ROD, Height of Cut Indicator
26	1733454SM	1	INDICATOR, Height of Cut
27	1930644SM	2	NUT, Hex Two-Way Lock, 1/2-13
28	1931335SM	1	BOLT, Carriage, 5/16-18 x 1, G5
29	1668344SM	1	PIN, Shear
30	1733533ASM	1	BRACKET, Electric Motor Mount
31	1960711SM	2	BOLT, Carriage, 3/8-16 x 3/4, G5 (Used on 44" & 50" Models only)
32	1734379ASM	2	PLATE, Pivot Lock (Used on 44" & 50" Models only)
33	1916950SM	2	NUT, Hex 3/8 - 16
34	1931317SM	2	BOLT, Carriage, 1/4 - 20 x 3/4 (Used on 44" & 50" Models only)
35	1960294SM	2	NUT, Hex Flange Whiz Lock, 1/4 - 20 (Used on 44" & 50" Models only)
36	1924940SM	2	WASHER, 3/8
37	1918213SM	2	NUT, Hex, 7/16 - 14
38	1930645SM	2	NUT, Hex Two-Way Lock Flange, 3/8 - 16

Footnotes

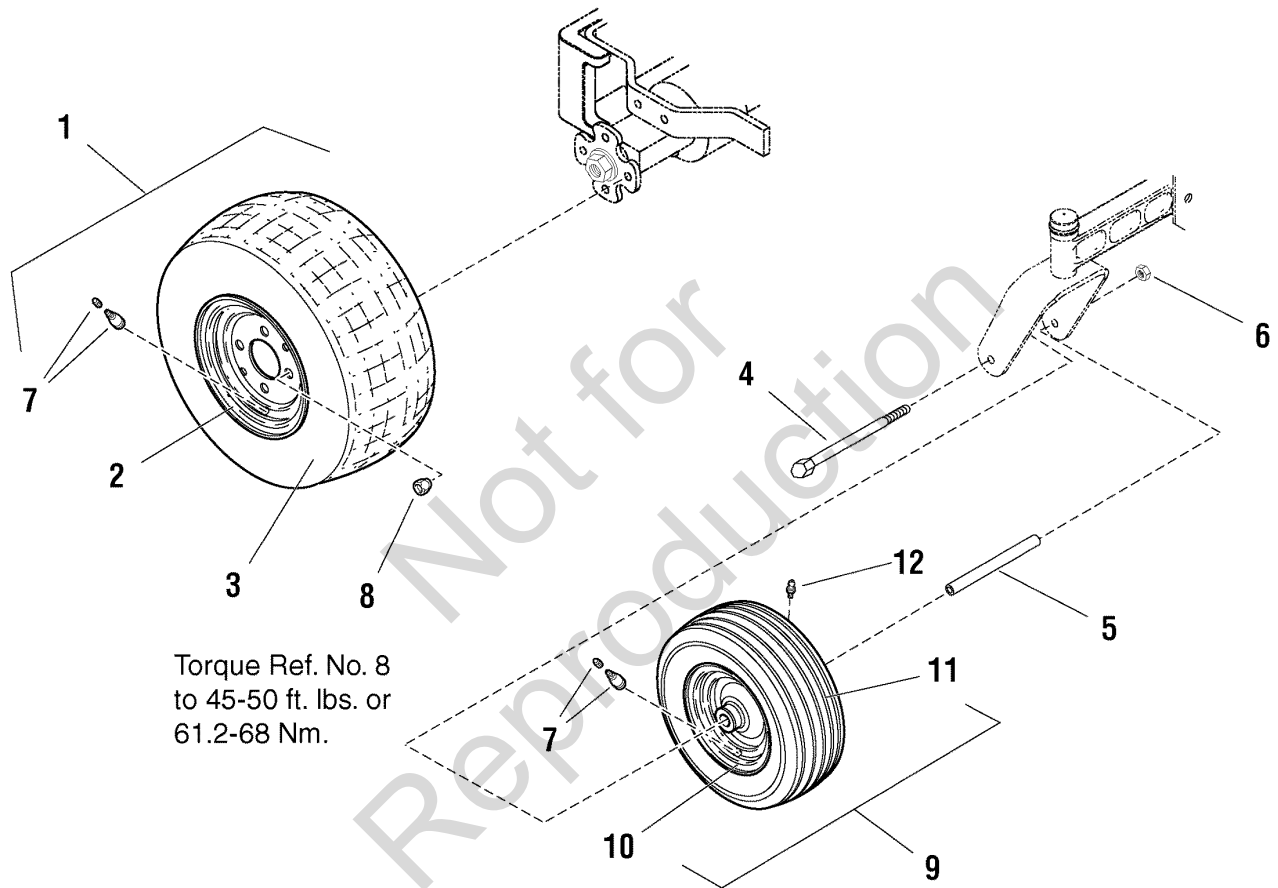
The above parts group applies to the following Mfg. Nos.:

1695447 - 50" Mower
2690642 - Axion
2690644 - Axion
2690715 - Axion
2690771 - Axion
7800376 - Axion

Wheel & Tire Group

W987612

NOTE: Unless noted otherwise,
use the standard hardware torque
specification chart.



The above parts group applies to the following Mfg. Nos.:

- 2690642 - Axion
- 2690644 - Axion
- 2690715 - Axion
- 2690771 - Axion
- 7800376 - Axion

Wheel & Tire Group

REF NO	PART NO.	QTY.	DESCRIPTION
1	1726383SM	2	WHEEL & TIRE ASSEMBLY, 18 x 8-1/2-8 (Includes Ref. Nos. 2, 3 & 7)
2	1734878SM	2	WHEEL, 18 x 8-1/2 - 8
3	1734877SM	2	TIRE, 18 x 8-1/2 - 8
4	7091772SM	2	CAPSCREW, Hex Head
5	7035359SM	2	TUBE, Caster Wheel Spacer
6	7090839SM	2	NUT, Hex Center Lock
7	2172353SM	2	VALVE STEM & CAP
8	2177725SM	8	NUT, Hex Lug, 7/16-20
9	1734013SM	2	WHEEL & TIRE ASSEMBLY, 11 x 4-5 (Includes Ref. Nos. 7, 10, 11 & 12)
10	1734876SM	2	WHEEL, 11 x 4 - 5
11	1734875SM	2	TIRE, 11 x 4 - 5
12	2812808SM	2	FITTING, Lube

Not for
Reproduction

Footnotes

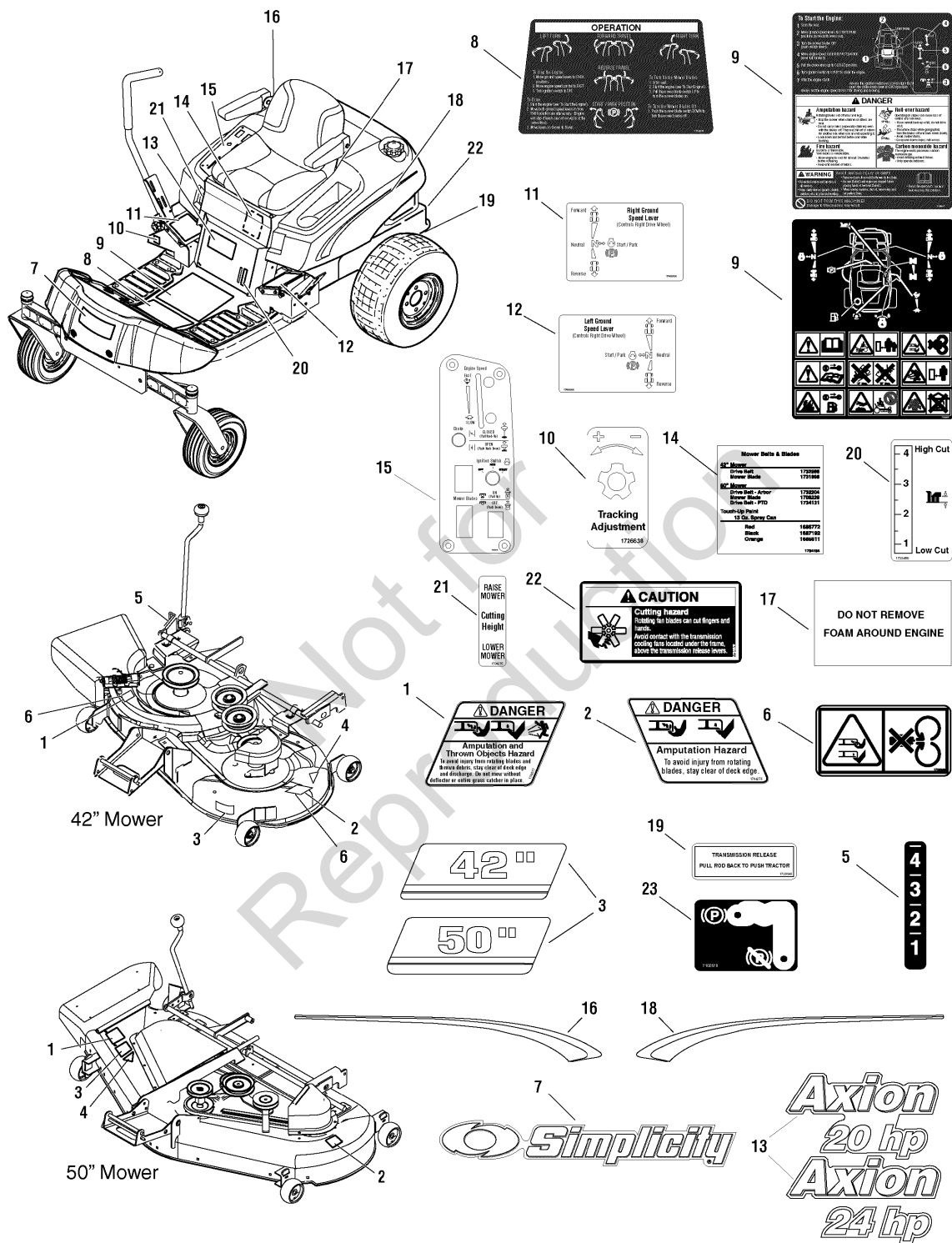
The above parts group applies to the following Mfg. Nos.:

2690642 - Axion
2690644 - Axion
2690715 - Axion
2690771 - Axion
7800376 - Axion

Decals Group

NOTE: Unless noted otherwise, use the standard hardware torque specification chart.

D987615



The above parts group applies to the following Mfg. Nos.:

- 2690642 - Axion
- 2690644 - Axion
- 2690715 - Axion
- 2690771 - Axion
- 7800376 - Axion

Decals Group

REF NO	PART NO.	QTY.	DESCRIPTION
1	1704277SM	1	DECAL, Danger Do Not Operate without Deflector (Domestic models)
2	1704276SM	1	DECAL, Danger Do Not Put Hands/Feet in Mower (Domestic models)
3	1731924SM	1	DECAL, 42" (Domestic models)
3	1722789SM	1	DECAL, 50" (Domestic models)
4	*	1	DECAL, OPEI Certified ANSI (Domestic models)
5	1726642SM	1	DECAL, 1 2 3 4 HOC (CE/Export models)
6	1720389SM	2	DECAL, Danger Rotating Blades (CE/Export models)
7	1722551SM	1	DECAL, Simplicity Logo
8	1734236SM	1	DECAL, Operator InstructionsTop (Domestic models)
9	1734207SM	1	DECAL, Operator Instructions Bottom (Domestic models)
9	1734527SM	1	DECAL, Operator Instructions Bottom (CE/Export models)
10	1726638SM	1	DECAL, Tracking Adjustment
11	1734271SM	1	DECAL, Handle Control, R.H. (Domestic models)
11	1735670SM	1	DECAL, Handle Control, R.H. (CE/Export models)
12	1734270SM	1	DECAL, Handle Control, L.H. (Domestic models)
12	1735671SM	1	DECAL, Handle Control, L.H. (CE/Export models)
13	1734342SM	1	DECAL, Axion 20HP (20HP models)
13	1734345SM	1	DECAL, Axion 24HP (24HP models)
14	1734184SM	1	DECAL, Belt & Blade
15	1734272SM	1	DECAL, Instrument Panel (Domestic models)
15	1734534SM	1	DECAL, Instrument Panel (CE/Export models)
16	1734339SM	1	DECAL, Seat Deck R.H. Simplicity Strip
17	1726631SM	1	DECAL, Do Not Remove Foam Around Engine (Domestic models)
18	1734338SM	1	DECAL, Seat Deck L.H. Simplicity Strip
19	1720543SM	2	DECAL, Transmission Release Instructions (Domestic models)
19	1734532SM	1	DECAL, Transmission Release Instructions (CE/Export models)
20	1733458SM	1	DECAL, Height of Cut without Best Cut (Domestic models)
20	1734539SM	1	DECAL, Height of Cut without Best Cut (CE/Export models)
21	1734276SM	1	DECAL, Switch for Height of Cut (Domestic models)
21	1734538SM	1	DECAL, Switch for Height of Cut (CE/Export models)
22	1734672SM	1	DECAL, Caution, Cut Hazard (CE/Exports models)
23	7102578YP	1	DECAL, Parking (CE/Export)
--	1734233	1	LITERATURE PACK, Simplicity ZT 20/42 (Not Shown)
--	1734234	1	LITERATURE PACK, Simplicity ZT 24/50 (Not Shown)
--	1735231	1	LITERATURE PACK, Simplicity ZT 20/42, 24/50 (Not Shown) (CE/Export)

Footnotes

* Note - Not a service part

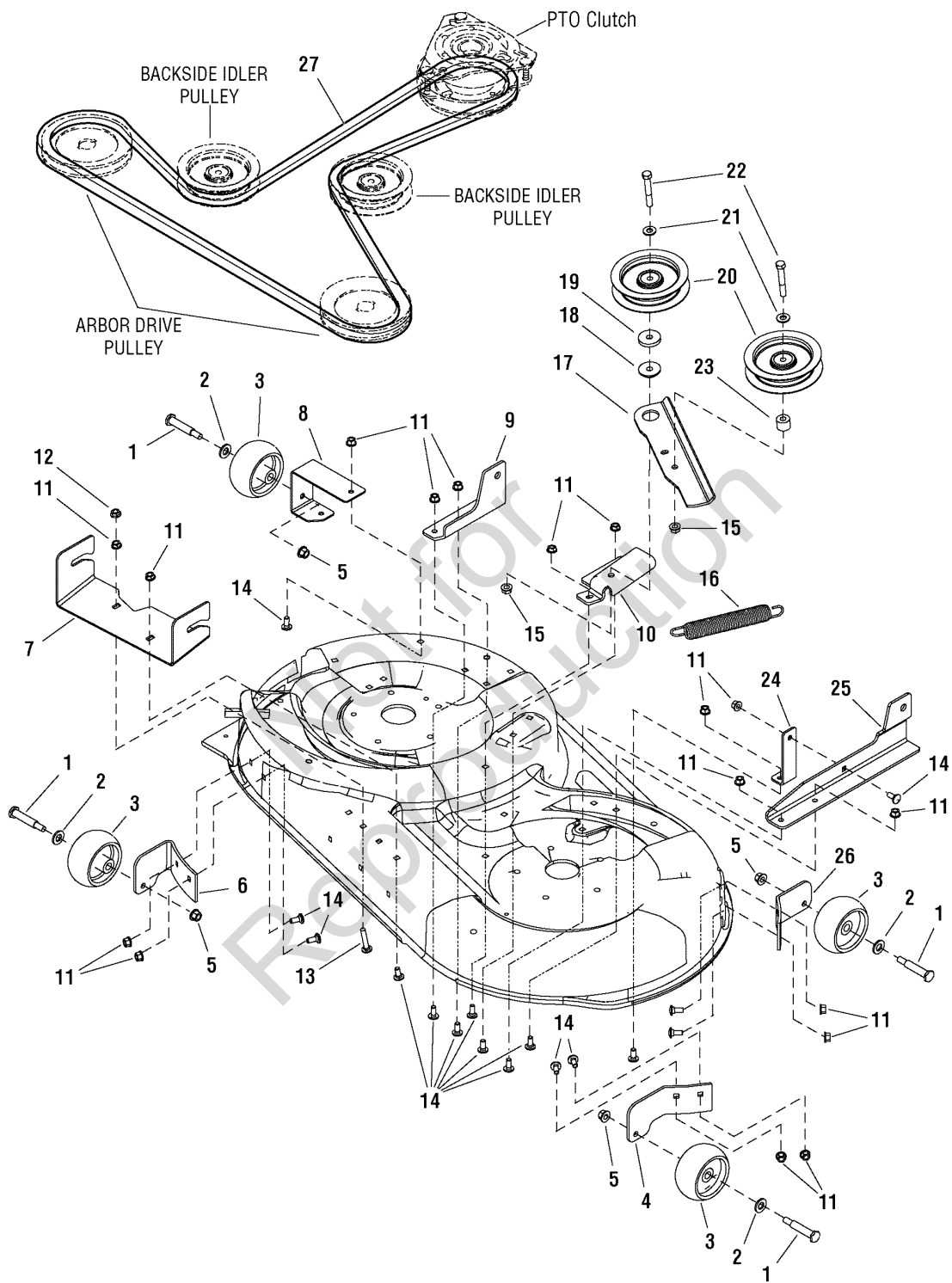
The above parts group applies to the following Mfg. Nos.:

2690642 - Axion
2690644 - Axion
2690715 - Axion
2690771 - Axion
7800376 - Axion

42" Mower Deck - Clutch & Support Group

987577

NOTE: Unless noted otherwise,
use the standard hardware torque
specification chart.



The above parts group applies to the following Mfg. Nos.:

- 2690642 - Axion
- 2690715 - Axion
- 7800376 - Axion

42" Mower Deck - Clutch & Support Group

REF NO	PART NO.	QTY.	DESCRIPTION
1	2108765SM	4	BOLT, Wheel, 3/8-16 x 2.781
2	1960170SM	4	WASHER, .51 ID x 1 OD x 1/10 THK
3	1714760SM	4	GAUGE WHEEL
4	1732258ASM	1	BRACKET, Gauge Wheel L.H. Front
5	1960687SM	4	NUT, Hex Flange, 3/8-16 ESNA
6	1734344ASM	2	BRACKET, Gauge Wheel R.H. Front
7	1733578ASM	1	HITCH, Mower Front
8	1734185ASM	1	BRACKET, Gauge Wheel R.H. Rear
9	1733576ASM	1	SUPPORT, Mower Rear R.H.
10	1734242ASM	1	BRACKET, Fixed Idler
11	1931277SM	17	NUT, Hex Flange Whiz Lock, 5/16-18
12	1935048SM	1	NUT, Hex Two-Way Lock, 5/16-18
13	1931338SM	1	BOLT, Carriage 5/16-18 x 1-3/4, G5
14	1931333SM	16	BOLT, Carriage, 5/16-18 x 3/4, G5
15	1931211SM	2	NUT, Hex Flange Whiz Lock, 3/8-16
16	1733844SM	1	SPRING, Extension
17	1734243ASM	1	ARM, Idler
18	1714255SM	1	SPACER, Powdered Metal
19	1960534SM	1	WASHER, 3/8, .41 ID x 1-1/2 OD x 1/4 THK
20	1732360SM	2	PULLEY, Idler, 4 OD x .378 ID x 1
21	1924940SM	2	WASHER, 3/8, .41 ID x .87 OD x .08 THK
22	1922130SM	2	CAPSCREW, Hex Head, 3/8-16 x 2-1/4, G5
23	1667812SM	1	SPACER
24	1733577ASM	1	BRACE, Mower Support
25	1733575ASM	1	SUPPORT, Mower Rear L.H.
26	1731403ASM	1	SUPPORT, Gauge Wheel L.H. Rear
27	1732966SM	1	V-BELT, A-Wedge
27	1734048SM	1	V-BELT, A-Wedge (Used on Export Models)

Footnotes

The above parts group applies to the following Mfg. Nos.:

2690642 - Axion

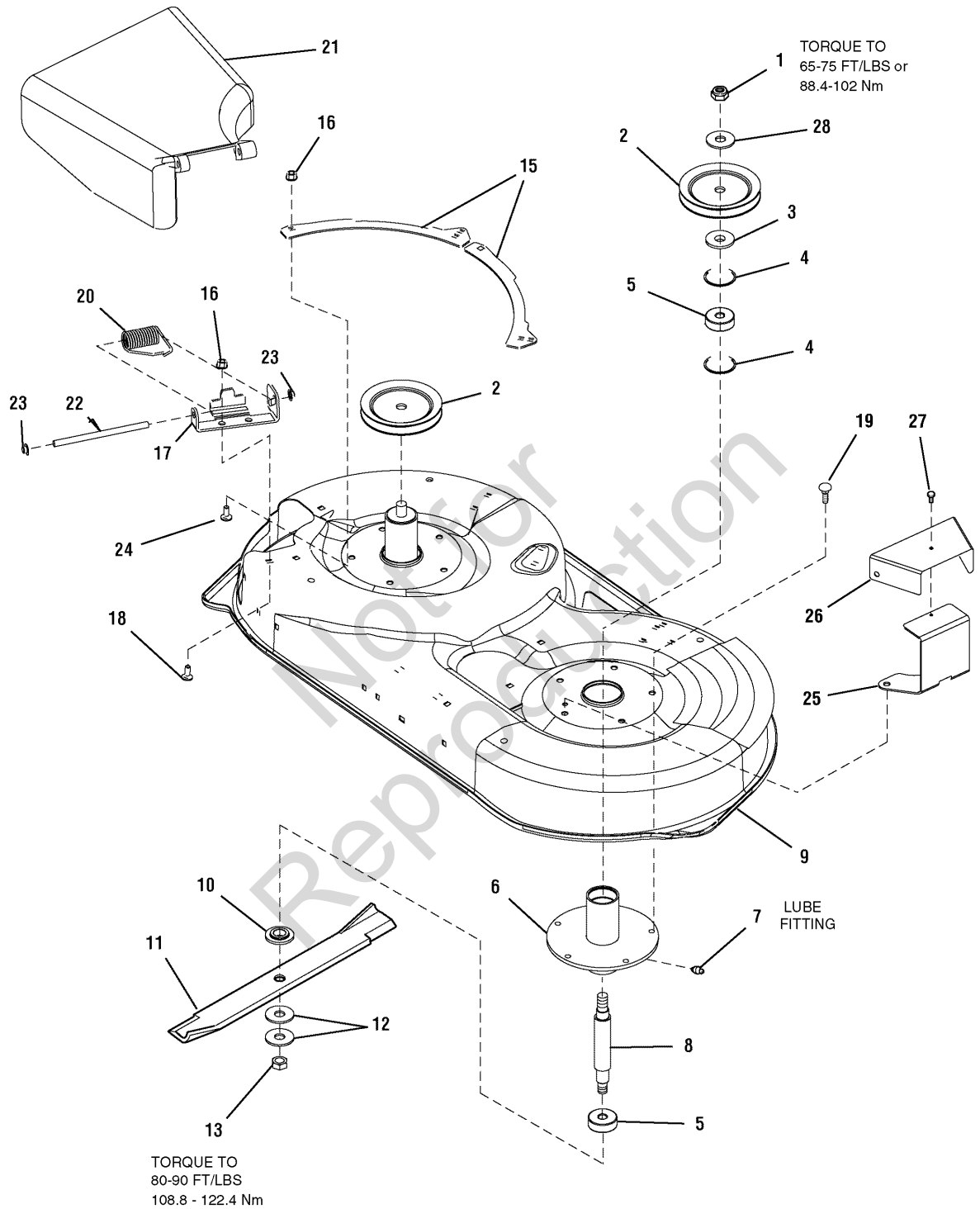
2690715 - Axion

7800376 - Axion

42" Mower Deck - Housing & Arbor Group

987699

NOTE: Unless noted otherwise,
use the standard hardware torque
specification chart.



The above parts group applies to the following Mfg. Nos.:

2690642 - Axion

42" Mower Deck - Housing & Arbor Group

REF NO	PART NO.	QTY.	DESCRIPTION
1	1960576SM	2	NUT, Hex Nylock, 5/8
2	1732354SM	2	PULLEY, Drive, 5-1/2
3	7072440SM	2	SPACER, Pulley
4	7012491SM	4	RING, Retaining, 1-3/4
5	2108202SM	4	BEARING, Spindle
6	1731372ASM	2	TUBE & PLATE ASSEMBLY, Spindle
7	1704314SM	2	LUBE, Fitting, 1/4
8	7072537SM	2	SHAFT, Spindle
9	1687280SM	1	HOUSING, 42"
10	1731917SM	2	WASHER, Spindle Blade, Powdered Metal
11	1731898ASM	2	BLADE, Mower 42"
12	7024467SM	4	WASHER, Belleville
13	7091633SM	2	NUT, Hex, 9/16
15	092426E701MA	2	PLATE, Rear
16	1960686SM	6	NUT, Hex Flange, 5/16-18 ESNA
17	094956E701MA	1	BRACKET, Hinge
18	1931333SM	5	CARRIAGE BOLT, 5/16-18 x 3/4, G5
19	1923683SM	10	SCREW, Hex Washer Head Taptite, 3/8-16 x 3/4
20	0166x4MA	1	SPRING, Torsion
21	094707MA	1	DEFLECTOR ASSEMBLY
22	094957ZMA	1	ROD, Deflector
23	1960093SM	2	NUT, Pushpal
24	1921333SM	1	CAPSCREW, Hex Head, 5/16-18 x 1, G5
25	1732282ASM	1	BRACKET, Pulley Cover
26	1732832ASM	1	COVER, Pulley
27	1925003SM	2	SCREW, Hex Washer Head Taptite, 1/4-20 x 1/2
28	7016440SM	2	WASHER, Belleville

Footnotes

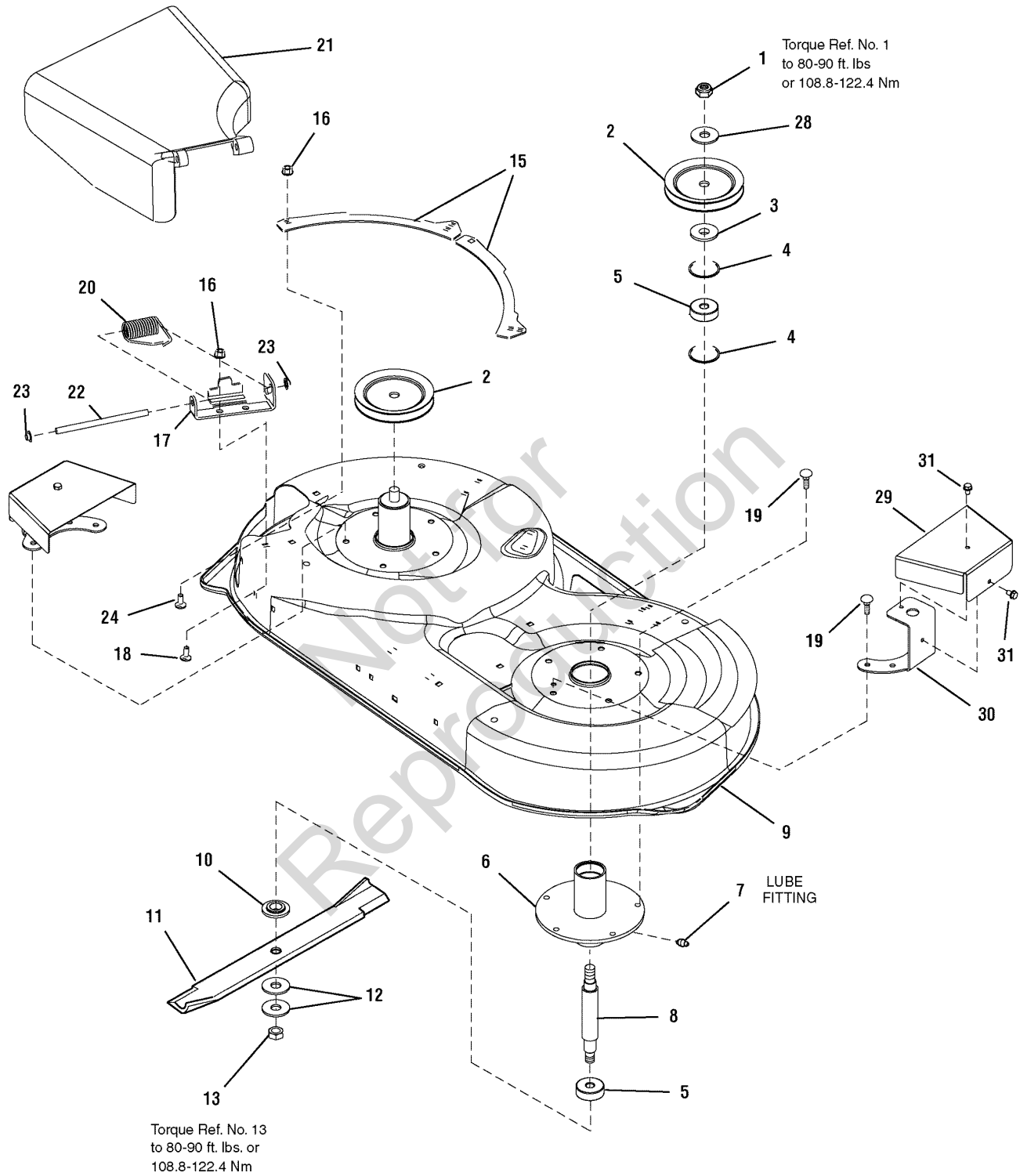
The above parts group applies to the following Mfg. Nos.:

2690642 - Axion

42" Mower Deck - Housing & Arbor Group (CE/Export)

987719

NOTE: Unless noted otherwise,
use the standard hardware torque
specification chart.



The above parts group applies to the following Mfg. Nos.:

2690715 - Axion

7800376 - Axion

42" Mower Deck - Housing & Arbor Group (CE/Export)

REF NO	PART NO.	QTY.	DESCRIPTION
1	1922014SM	2	NUT, Hex Nylock, 5/8
2	1734064SM	2	PULLEY, Drive
3	7072440SM	2	SPACER, Pulley
4	7012491SM	4	RING, Retaining
5	2108202SM	4	BEARING, Spindle
6	1731372ASM	2	TUBE & PLATE ASSEMBLY, Spindle
7	1704314SM	2	LUBE, Fitting
8	7072537SM	2	SHAFT, Spindle
9	1687280SM	1	HOUSING, 42"
10	1731917SM	2	WASHER, Spindle Blade
11	1731898ASM	2	BLADE
12	7024467SM	4	WASHER, Belleville
13	7091633SM	2	NUT, Hex, 9/16
15	092426E701MA	2	PLATE, Rear
16	1960686SM	6	NUT, ESNA, 5/16
17	094956E701MA	1	BRACKET, Hinge
18	1931333SM	5	BOLT, Carriage, 5/16-18 x 3/4
19	1923683SM	10	SCREW, Taptite, 3/8-16 x 3/4
20	0166x4MA	1	SPRING, Torsion
21	094707MA	1	DEFLECTOR
22	094957ZMA	1	ROD, Deflector
23	1960093SM	2	PUSHNUT
24	1921333SM	1	CAPSCREW, 5/16-18 x 1
28	7091546SM	2	LOCKWASHER, Internal Tooth, 5/8
29	1734701ASM	2	COVER, Pulley
30	1734039ASM	2	SUPPORT, Pulley Cover
31	1924856SM	4	SCREW, Taptite, 5/16 - 18 x 1/2

Footnotes

The above parts group applies to the following Mfg. Nos.:

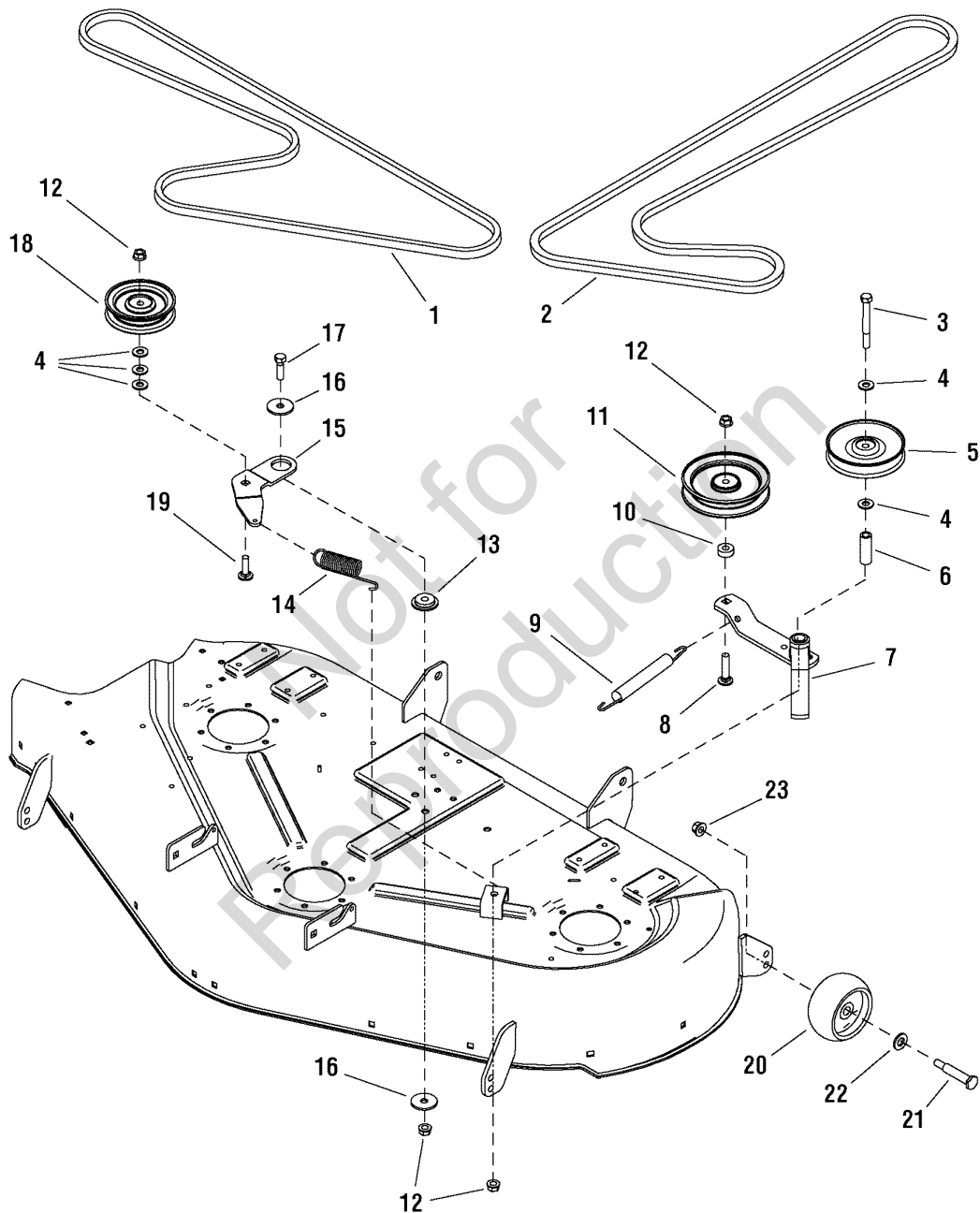
2690715 - Axion

7800376 - Axion

50" Mower Deck - Clutch & Support Group

987629

NOTE: Unless noted otherwise,
use the standard hardware torque
specification chart.



The above parts group applies to the following Mfg. Nos.:

2690644 - Axion

2690771 - Axion

50" Mower Deck - Clutch & Support Group

REF NO	PART NO.	QTY.	DESCRIPTION
1	1727869SM	1	V-BELT, Arbor Drive, 83.1 Kevlar (Used on 44" Models)
1	1732204SM	1	V-BELT, Arbor Drive, 91.1 Kevlar (Used on 50" Models)
1	1732204SM	1	V-BELT, Arbor Drive, 91.1 Kevlar (Used on 50" Models)
2	1734131SM	1	V-BELT, P.T.O. Drive, 73.24 A-Wedge (Used on 50" Models)
2	1734130SM	1	V-BELT, P.T.O. Drive, 70.1 A-Wedge (Used on 44" Models)
3	1922918SM	1	CAPSCREW, Hex Head, 3/8-16 x 3-1/4, G5
2	1734131SM	1	V-BELT, P.T.O. Drive, 73.24 A-Wedge (Used on 50" Models)
4	1924940SM	6	WASHER, Flat, 3/8
3	1922918SM	1	CAPSCREW, Hex Head, 3/8-16 x 3-1/4, G5
5	2101096SM	1	PULLEY, 4-1/2 OD 3/8 ID .63 Groove
6	1657242SM	1	SPACER
4	1924940SM	5	WASHER, Flat, 3/8
7	1726814SM	1	ARM ASSEMBLY, Idler with Bushings
5	2101096SM	1	PULLEY, 4-1/2 OD 3/8 ID .63 Groove
6	1657242SM	1	SPACER
8	1931353SM	1	CARRIAGE BOLT, 3/8-16 x 1-3/4, G5
9	1714062SM	1	SPRING, Extension
7	1726814SM	1	ARM ASSEMBLY, Idler with Bushings
10	1667811SM	1	SPACER, Powdered Metal
8	1931353SM	1	CARRIAGE BOLT, 3/8-16 x 1-3/4, G5
9	1714062SM	1	SPRING, Extension
11	2171247SM	1	PULLEY, Idler Flat
10	1667811SM	1	SPACER, Powdered Metal
12	1960339SM	4	NUT, Hex Flange Lock, 3/8-16
13	1714255SM	1	SPACER, Idler Powdered Metal
11	2171247SM	1	PULLEY, Idler Flat
14	1656936SM	1	SPRING, Extension
12	1960339SM	4	NUT, Hex Flange Lock, 3/8-16
13	1714255SM	1	SPACER, Idler Powdered Metal
15	1733465ASM	1	ARM, Idler
14	1656936SM	1	SPRING, Extension
16	1924356SM	2	WASHER, Flat, 3/8
15	1733465ASM	1	ARM, Idler
17	1920415SM	1	CAPSCREW, Hex Head, 3/8-16 x 1-1/4, G5
18	1724387SM	1	PULLEY, Idler
16	1924356SM	2	WASHER, Flat, 3/8
17	1920415SM	1	CAPSCREW, Hex Head, 3/8-16 x 1-1/4, G5
19	1931337SM	1	CARRIAGE BOLT, 3/8-16 x 1-1/4, G5
20	1714760SM	4	WHEEL, 2" WIDE, 3.92 DIA
18	1724387SM	1	PULLEY, Idler
19	1931337SM	1	CARRIAGE BOLT, 3/8-16 x 1-1/4, G5
21	2108765SM	4	BOLT, Wheel, 3/8-16 x 2.781
20	1714760SM	4	WHEEL, 2" WIDE, 3.92 DIA
22	1960170SM	4	WASHER, Flat, 1/2
23	1960687SM	4	NUT, Hex Flange, 3/8-16 ESNA

Footnotes

The above parts group applies to the following Mfg. Nos.:

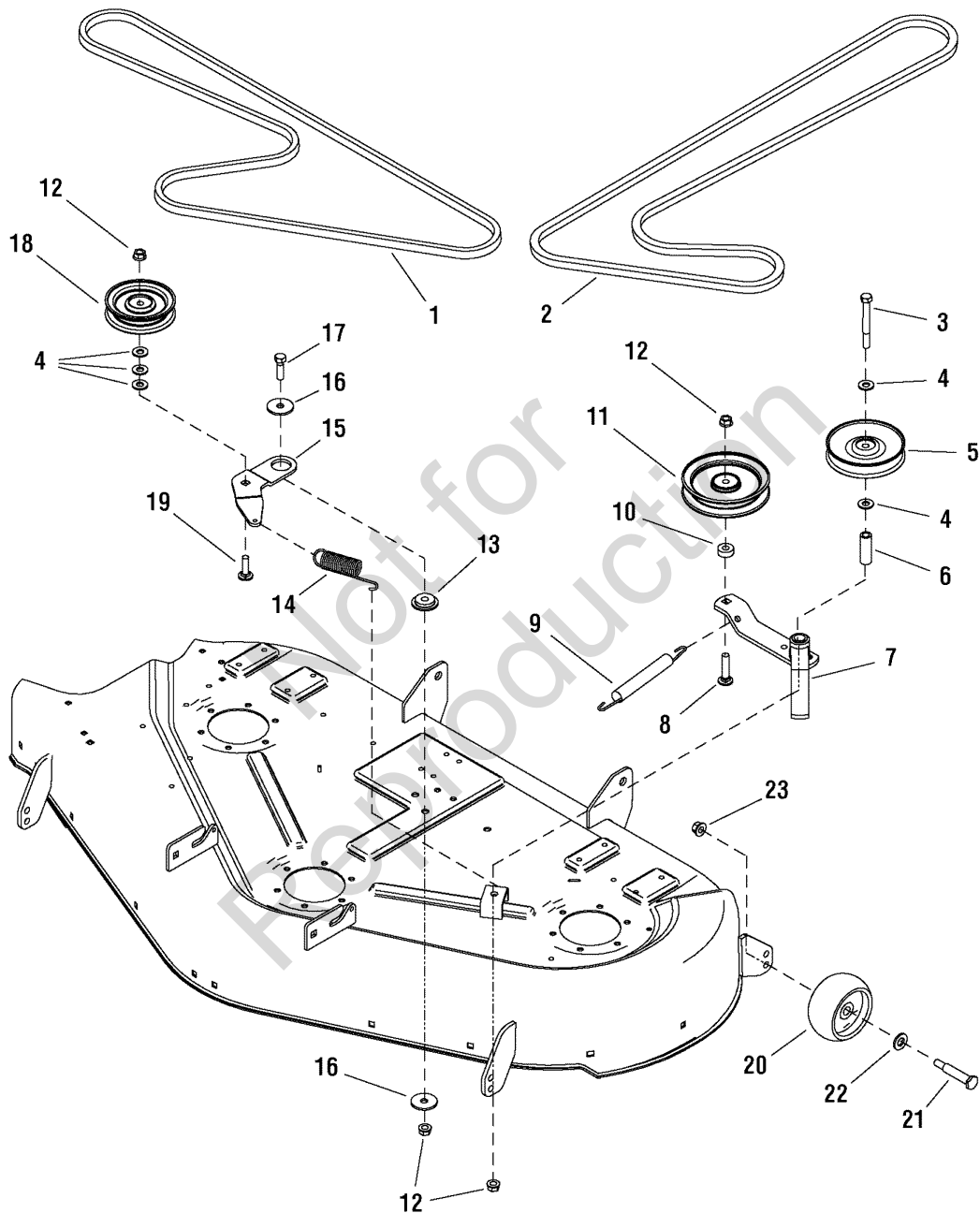
2690644 - Axion

2690771 - Axion

50" Mower Deck - Clutch & Support Group

987629

NOTE: Unless noted otherwise,
use the standard hardware torque
specification chart.



The above parts group applies to the following Mfg. Nos.:

1695447 - 50" Mower

50" Mower Deck - Clutch & Support Group

REF NO	PART NO.	QTY.	DESCRIPTION
1	1727869SM	1	V-BELT, Arbor Drive, 83.1 Kevlar (Used on 44" Models)
1	1732204SM	1	V-BELT, Arbor Drive, 91.1 Kevlar (Used on 50" Models)
1	1732204SM	1	V-BELT, Arbor Drive, 91.1 Kevlar (Used on 50" Models)
2	1734131SM	1	V-BELT, P.T.O. Drive, 73.24 A-Wedge (Used on 50" Models)
2	1734130SM	1	V-BELT, P.T.O. Drive, 70.1 A-Wedge (Used on 44" Models)
3	1922918SM	1	CAPSCREW, Hex Head, 3/8-16 x 3-1/4, G5
2	1734131SM	1	V-BELT, P.T.O. Drive, 73.24 A-Wedge (Used on 50" Models)
4	1924940SM	6	WASHER, Flat, 3/8
3	1922918SM	1	CAPSCREW, Hex Head, 3/8-16 x 3-1/4, G5
5	2101096SM	1	PULLEY, 4-1/2 OD 3/8 ID .63 Groove
6	1657242SM	1	SPACER
4	1924940SM	5	WASHER, Flat, 3/8
7	1726814SM	1	ARM ASSEMBLY, Idler with Bushings
5	2101096SM	1	PULLEY, 4-1/2 OD 3/8 ID .63 Groove
6	1657242SM	1	SPACER
8	1931353SM	1	CARRIAGE BOLT, 3/8-16 x 1-3/4, G5
9	1714062SM	1	SPRING, Extension
7	1726814SM	1	ARM ASSEMBLY, Idler with Bushings
10	1667811SM	1	SPACER, Powdered Metal
8	1931353SM	1	CARRIAGE BOLT, 3/8-16 x 1-3/4, G5
9	1714062SM	1	SPRING, Extension
11	2171247SM	1	PULLEY, Idler Flat
10	1667811SM	1	SPACER, Powdered Metal
12	1960339SM	4	NUT, Hex Flange Lock, 3/8-16
13	1714255SM	1	SPACER, Idler Powdered Metal
11	2171247SM	1	PULLEY, Idler Flat
14	1656936SM	1	SPRING, Extension
12	1960339SM	4	NUT, Hex Flange Lock, 3/8-16
13	1714255SM	1	SPACER, Idler Powdered Metal
15	1733465ASM	1	ARM, Idler
14	1656936SM	1	SPRING, Extension
16	1924356SM	2	WASHER, Flat, 3/8
15	1733465ASM	1	ARM, Idler
17	1920415SM	1	CAPSCREW, Hex Head, 3/8-16 x 1-1/4, G5
18	1724387SM	1	PULLEY, Idler
16	1924356SM	2	WASHER, Flat, 3/8
17	1920415SM	1	CAPSCREW, Hex Head, 3/8-16 x 1-1/4, G5
19	1931337SM	1	CARRIAGE BOLT, 3/8-16 x 1-1/4, G5
20	1714760SM	4	WHEEL, 2" WIDE, 3.92 DIA
18	1724387SM	1	PULLEY, Idler
19	1931337SM	1	CARRIAGE BOLT, 3/8-16 x 1-1/4, G5
21	2108765SM	4	BOLT, Wheel, 3/8-16 x 2.781
20	1714760SM	4	WHEEL, 2" WIDE, 3.92 DIA
22	1960170SM	4	WASHER, Flat, 1/2
23	1960687SM	4	NUT, Hex Flange, 3/8-16 ESNA

Footnotes

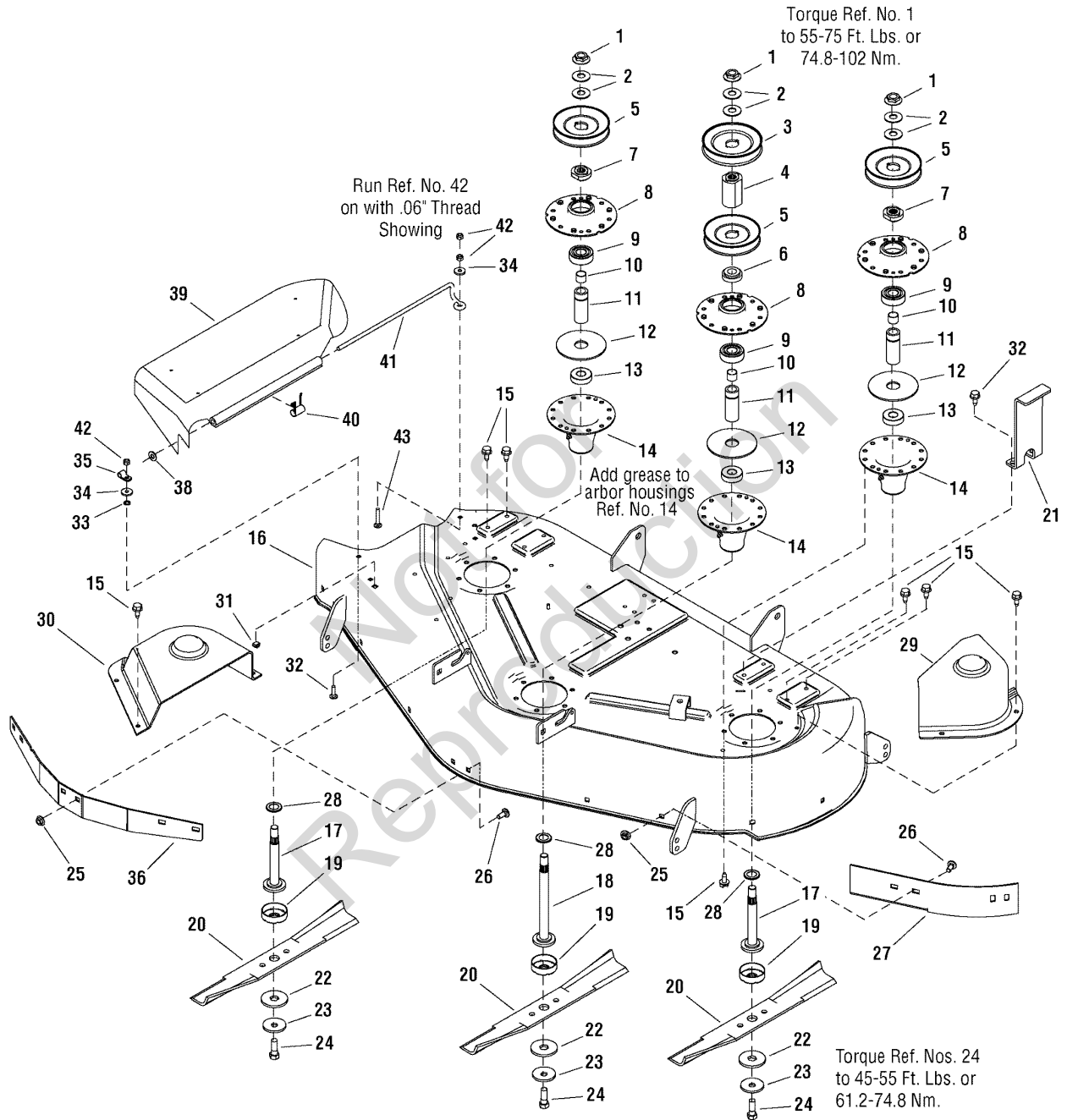
The above parts group applies to the following Mfg. Nos.:

1695447 - 50" Mower

50" Mower Deck - Housing & Arbor Group

987623

NOTE: Unless noted otherwise,
use the standard hardware torque
specification chart.



The above parts group applies to the following Mfg. Nos.:

1695447 - 50" Mower

2690644 - Axion

2690771 - Axion

50" Mower Deck - Housing & Arbor Group

REF NO	PART NO.	QTY.	DESCRIPTION
1	1714419SM	3	NUT, Hex Flange, 9/16-18
2	1713675SM	6	WASHER, Belleville
3	1732951SM	1	PULLEY, Deep Groove, 4.6
4	1713158SM	1	HUB, Spacer
5	1713098SM	3	PULLEY
6	1713533SM	1	HUB
7	1713197SM	2	HUB
8	1655729ASM	3	HOUSING, Arbor Top
9	7013313SM	3	BEARING
10	1715724SM	3	SPACER, Bearing Sleeve
11	1732544SM	3	SPACER, Powdered Metal
12	1707335SM	3	GASKET, Foam
13	1705897SM	3	BEARING, Ball
14	1713338ASM	3	HOUSING, Arbor Bottom with Lube Fitting
15	1664847SM	31	SCREW, Hex Washer Head Taptite, 5/16-18 x 3/4
16	1687323SM	1	HOUSING ASSEMBLY, 50" Deck
17	1713195SM	2	SHAFT, Arbor Short
18	1713612SM	1	SHAFT, Arbor Long
19	1713196SM	3	SHIELD, Grass
20	1708229SM	1	BLADE, Mower, 50" Deck
21	1733308ASM	1	UPSTOP
22	1713089SM	3	WASHER, Hex, 11/16 x 2
23	1656916SM	3	WASHER, Spring
24	2823471SM	3	CAPSCREW, Hex Head, 7/16-14 x 1-1/4, G8
25	1927557SM	6	NUT, Hex Whiz Lock Flange, 5/16-18
26	1931333SM	6	CARRIAGE BOLT, 5/16-18 x 3/4, G5
27	1724538ASM	1	BAFFLE, Blowout
28	1713619SM	3	WASHER, Cup
29	1729666SM	1	COVER, Arbor
30	1715673SM	1	COVER, Arbor
31	1705115SM	1	PLUG, Hole
32	1931318SM	1	CARRIAGE BOLT, 1/4-20 x 7/8, G5
33	1960518SM	2	NUT, Push On
34	1960353SM	4	WASHER, 1/4
35	1704873SM	1	CLAMP
36	1734181ASM	1	BAFFLE, Front
38	1919326SM	1	WASHER, 5/16
39	1705449SM	1	DEFLECTOR, Discharge
40	7101082SM	1	SPRING, Torsion Chute
41	1706709SM	1	ROD, Deflector, Front

Footnotes

The above parts group applies to the following Mfg. Nos.:

1695447 - 50" Mower

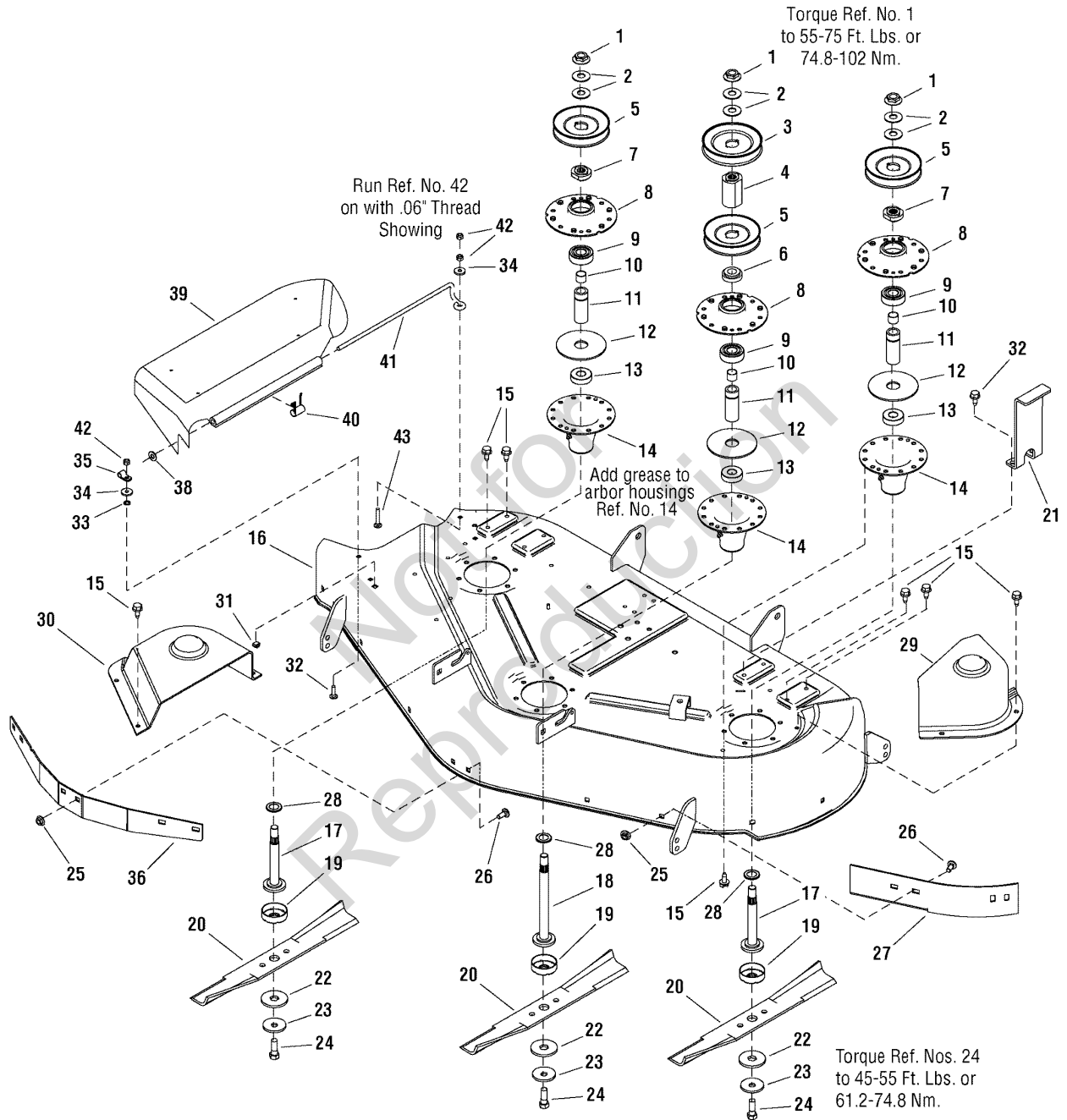
2690644 - Axion

2690771 - Axion

50" Mower Deck - Housing & Arbor Group

987623

NOTE: Unless noted otherwise, use the standard hardware torque specification chart.



The above parts group applies to the following Mfg. Nos.:

1695447 - 50" Mower

2690644 - Axion

2690771 - Axion

50" Mower Deck - Housing & Arbor Group

REF NO	PART NO.	QTY.	DESCRIPTION
42	1920397SM	3	NUT, Hex Lock ESNA, 1/4-20
43	1960633SM	1	CARRIAGE BOLT, 1/4-20 x 1-1/2, G5

Not for
Reproduction

Footnotes

The above parts group applies to the following Mfg. Nos.:

1695447 - 50" Mower

2690644 - Axion

2690771 - Axion

Not for
Reproduction

Hardware Identification & Torque Specifications

Torque Specification Chart								
FOR STANDARD METRIC MACHINE HARDWARE (Tolerance ± 20%)								
Property Class	5.6		8.8		10.9		12.9	
	Class 5.6		Class 8.8		Class 10.9		Class 12.9	
Size Of Hardware	in/lbs	Nm.	in/lbs	Nm.	in/lbs	Nm.	in/lbs	Nm.
	ft/lbs		ft/lbs		ft/lbs		ft/lbs	
M3	5.88	.56	13.44	1.28	19.2	1.80	22.92	2.15
M4	13.44	1.28	30.72	2.90	43.44	4.10	52.56	4.95
M5	26.4	2.50	60.96	5.75	5.97	8.10	7.15	9.7
M6	44.64	4.3	7.3	9.9	10.3	14	12.1	16.5
M7	5.2	7.1	12.1	16.5	16.9	23	19.9	27
M8	7.7	10.5	17.7	24	25	34	29	40
M10	15	21	35	48	50	67	59	81
M12	26	36	61	83	86.2	117	103	140
M14	42	58	101	132	136	185	162	220
M16	64	88	147	200	210	285	250	340
M18	89	121	202	275	287	390	346	470
M20	126	171	290	390	405	550	486	660
M22	169	230	390	530	559	745	656	890
M24	217	295	497	375	708	960	840	1140
M27	320	435	733	995	1032	1400	1239	1680
M30	435	590	995	1350	1401	1900	1681	2280
M33	590	800	1349	1830	1902	2580	2278	3090
M36	759	1030	1740	2360	2441	3310	2935	3980
M39	988	1340	2249	3050	3163	4290	3798	5150

Torque Specification Chart						
FOR STANDARD MACHINE HARDWARE (Tolerance ± 20%)						
Hardware Grade	No Marks		SAE Grade 5		SAE Grade 8	
	SAE Grade 2		SAE Grade 5		SAE Grade 8	
Size Of Hardware	in/lbs	Nm.	in/lbs	Nm.	in/lbs	Nm.
	ft/lbs		ft/lbs		ft/lbs	
8-32	19	2.1	30	3.4	41	4.6
8-36	20	2.3	31	3.5	43	4.9
10-24	27	3.1	43	4.9	60	6.8
10-32	31	3.5	49	5.5	68	7.7
1/4-20	66	7.6	8	10.9	12	16.3
1/4-28	76	8.6	10	13.6	14	19.0
5/16-18	11	15.0	17	23.1	25	34.0
5/16-24	12	16.3	19	25.8	29	34.0
3/8-16	20	27.2	30	40.8	45	61.2
3/8-24	23	31.3	35	47.6	50	68.0
7/16-14	30	40.8	50	68.0	70	95.2
7/16-20	35	47.6	55	74.8	80	108.8
1/2-13	50	68.0	75	102.0	110	149.6
1/2-20	55	74.8	90	122.4	120	163.2
9/16-12	65	88.4	110	149.6	150	204.0
9/16-18	75	102.0	120	163.2	170	231.2
5/8-11	90	122.4	150	204.0	220	299.2
5/8-18	100	136	180	244.8	240	326.4
3/4-10	160	217.6	260	353.6	386	525.0
3/4-16	180	244.8	300	408.0	420	571.2
7/8-9	140	190.4	400	544.0	600	816.0
7/8-14	155	210.8	440	598.4	660	897.6
1-8	220	299.2	580	788.8	900	1,244.0
1-12	240	326.4	640	870.4	1,000	1,360.0

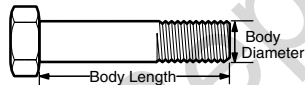
The guides and ruler furnished below are designed to help you select the appropriate hardware.



Nut, M8

Thread Diameter (mm)
Inside Diameter (in)
Threads per inch

Nut, 1/2-16



Screw, M8 - 1.25 x 25

Thread Diameter (mm)
Body Diameter
Distance between threads (mm)
Threads per inch
Body Length (mm)
Body Length (in)

Screw, 1/2- 16 x 2



Standard Hardware Sizing

When a washer or nut is identified as **1/2"** (M8), this is the *Nominal size*, meaning the *inside diameter* is 1/2 inch (8mm metric thread diameter); if a second number is present it represents the *threads per inch* (distance between threads).

When bolt or capscrew is identified as **1/2 - 16 x 2"** (M8 - 1.25 x 50), this means the *Nominal size*, or body diameter is 1/2 inch (8mm metric thread diameter), the second number, 16, represents the *threads per inch*, (1.25 thread diameter). The final number is the body length of the bolt or screw, 2 inches (50mm).

NOTES

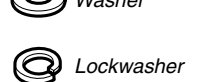
- These torque values are to be used for all hardware excluding: locknuts, self-tapping screws, thread forming screws, sheet metal screws and socket head setscrews.
- Recommended seating torque values for locknuts:
 - for prevailing torque locknuts - use 65% of grade 5 torques.
 - for flange whizlock nuts and screws - use 135% of grade 5 torques.
- Unless otherwise noted on assembly drawings, all torque values must meet this specification.

Common Hardware Types

Hex Head Capscrew



Washer



Carriage Bolt



Hex Nut

Wrench & Fastener Size Guide

1/4" Bolt or Nut Wrench—7/16"	5/16" Bolt or Nut Wrench—1/2"	3/8" Bolt or Nut Wrench—9/16"	7/16" Bolt or Nut Wrench (Bolt)—5/8" Wrench (Nut)—11/16"	1/2" Bolt or Nut Wrench—3/4"
M6 Bolt or Nut Wrench—10mm	M8 Bolt or Nut Wrench—13mm	M10 Bolt or Nut Wrench—17mm	M12 Bolt or Nut Wrench—19mm	M14 Bolt or Nut Wrench—22mm

Not for
Reproduction

**IT IS THE POLICY OF BRIGGS & STRATTON CORP. TO IMPROVE ITS PRODUCTS
WHENEVER IT IS POSSIBLE AND PRACTICAL TO DO SO. WE RESERVE THE RIGHT TO
MAKE CHANGES OR ADD IMPROVEMENTS AT ANY TIME WITHOUT INCURRING ANY
OBLIGATION TO MAKE SUCH CHANGES ON PRODUCTS.**

Briggs & Stratton Yard Power Products Group

3515 N. 124 Street / PO Box 702
Wauwatosa, WI 53222 USA

www.simplicitymfg.com

© Copyright 2009 by Briggs & Stratton Corporation
Milwaukee, WI, USA. All rights reserved