

Simplicity

REG. U.S. PAT. OFF.

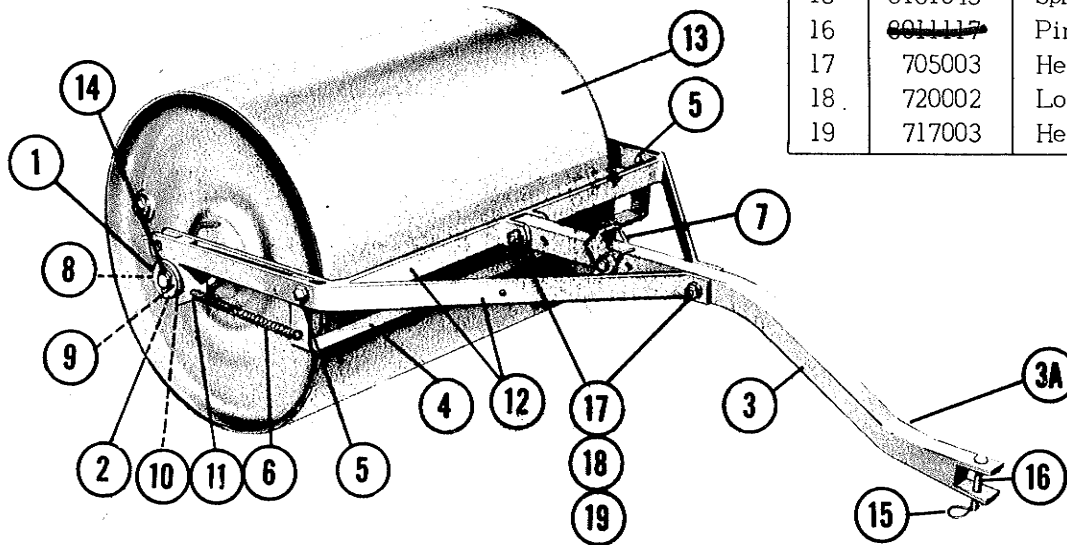
PARTS LIST

Order by Part Number

WONDER-BOY LAWN ROLLER

Article No. 990091

Ref. No.	Part No.	Description
1	719005	Flat Washer 3/4"
2	8011204	Pin
3	102037	Tongue
4	102042	Scraper
5	102004	Pivot Pin
6	8011158	Spring
7	Not Required For Roller! —	
8	8161045	Spring Clip
9	102034	Nylon Bushing
10	102007	Bearing Retainer
11	102043	Extension Pin
12	102035	Frame Assembly
13	102001	Lawn Roller
14	722004	Cotter Pin, 1/8 x 1 1/2"
15	8161045	Spring Clip
16	8011117 118053	Pin
17	705003	Hex Capscrew, 3/8-16 x 2 1/4
18	720002	Lockwasher, 3/8"
19	717003	Hex Nut, 3/8-16



PACKING LIST

The lawn roller hitch is shipped in a carton, and the drum separately. NOTE: If you have already purchased the trailer cart, you will not need the lawn roller hitch, as this is the same as the frame of the trailer cart. If you have the trailer cart, order lawn roller No. 990083, which is supplied without the hitch.

ASSEMBLY

1. Place the frame on the roller axle, being sure washers (1) are on each side of the frame. Insert the pins (2) to hold the frame on the roller axle.
2. Bolt the tongue (3) to the frame in such a manner that the front end (3A) is lower than the rear. The tongue is bent so the roller can be properly mounted on the Wonder-Boy.

3. A scraper is provided with the lawn roller hitch which you may wish to use when rolling very soft or muddy ground which might cling to the roller. To install the scraper (4) mount to frame with two pivot pins (5). (The scraper arms should be pinned between the two side bars of the frame). Put the cotter pins in the ends of the pivot pins. Remove the angled pin on the RIGHT side of the frame and replace with the extension pin supplied with the scraper. Fasten scraper spring (6) to hole in the scraper arm and then to hole in extension pin.

The clevis (7) is supplied with the trailer cart and is not needed when using the roller.

The roller drum, when filled with water, weighs 250 lbs. Do not leave your roller filled with water where it may freeze.

Simplicity Manufacturing Company

PORT WASHINGTON, WISCONSIN

