

Simplicity
REG. U. S. PAT. OFF.

Mfg'd by: Western Tool

GANG COMPANION MOWER

INSTRUCTIONS AND PARTS LIST

PACKING AND ASSEMBLING INSTRUCTIONS

1. Gang companion mowers are shipped complete in two cartons with draw bar assemblies in a separate bundle.
2. Attach the two single draw bar assemblies (1, fig. 1) to gang companion mowers with four bolts, bushings and flat washers as shown at (2, fig. 1).
3. Attach double draw bar assembly (3, fig. 1) to single draw bar assemblies with cotter pins as shown. See note under operating instructions for proper assembly.
4. Attach tongue assembly (4, fig. 1) to double draw bar with cotter pins as shown.

Note:

Cotter pins and tongue pin are packed in a bag attached to draw bar bundle.

5. Attach frame extension assembly (7, Fig. 1) to tractor with hitch pin (8, Fig. 1).
6. Attach complete unit to frame extension assembly (7, Fig. 1) with tongue pin (5, Fig. 1) and spring clip (6, Fig. 1) as shown.

OPERATING INSTRUCTIONS

1. Gang mowers are always used with 24" or 30" front mounted mower. With front mounted 24" mower, over-all cutting width 59". With front mounted 30" mower, over-all cutting width 64½".

Note:

Tubes (A, Fig. 1) are welded to the single draw bars off-center. When 24" front mounted mower is used single draw bars should be assembled to the double draw bar (3, fig. 1) with tubes nearer the outside wheel of the gang mowers. When 30" front mounted mower is used single draw bars should be assembled to the double draw bar with tubes nearer the inside wheel of the gang mowers.

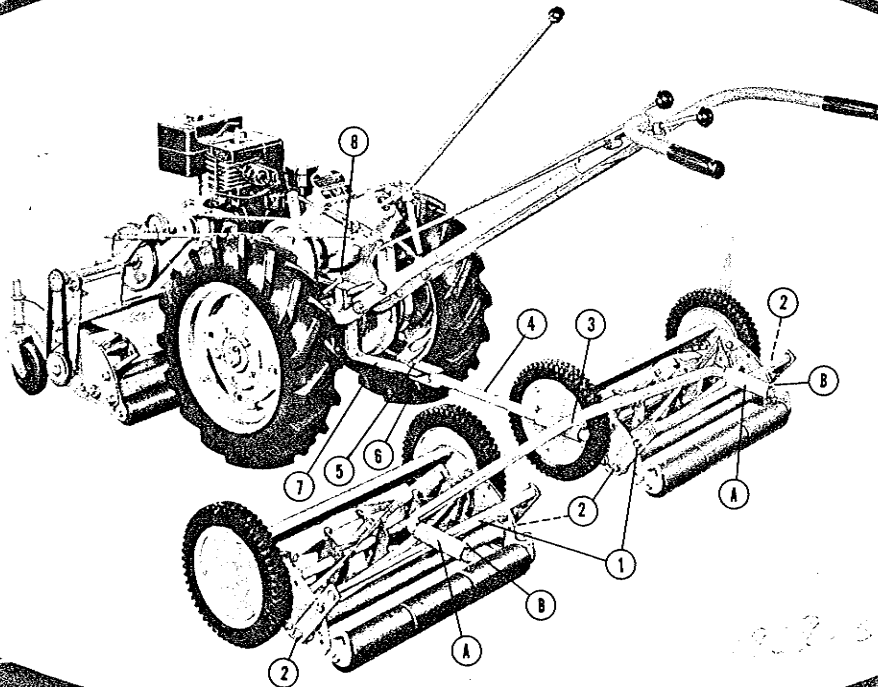


Fig. 1

ARTICLE 990002

2. Combination sulky or standard sulky can be used with the gang companion mower. Sulky is attached to frame extension (7, fig. 1) with hitch pin, furnished with the sulky.

3. Cutting height is adjustable from 1 to 2½ inches high by raising or lowering rear rollers.

4. Adjustment of the cutting blades is quickly obtained through positive locking cams.

LUBRICATION

The reel bearings are packed with lubricant and sealed at the factory. No service or lubrication is necessary for the life of the bearings.

How to Order Repair Parts for Simplicity Garden Tractors and Attachments

The Authorized Simplicity dealer from whom you purchased your tractor and attachments can supply you with any replacement parts you may need. For prompt service, be sure to see your dealer first. He will furnish the correct parts from his stock or order them for you if necessary. However, you may mail-order directly from the factory.

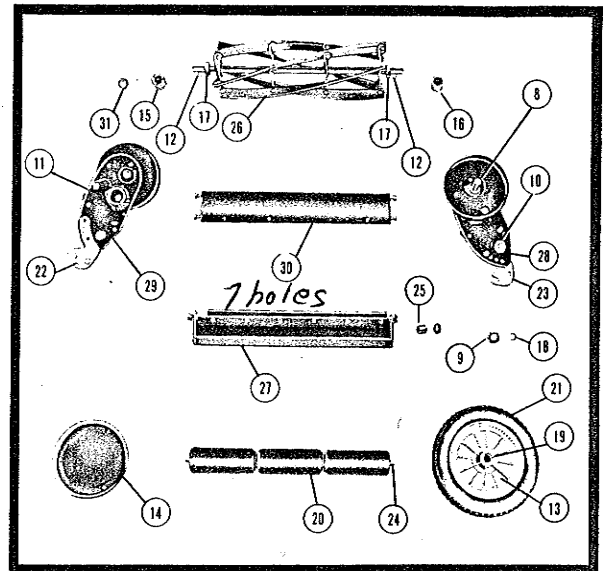
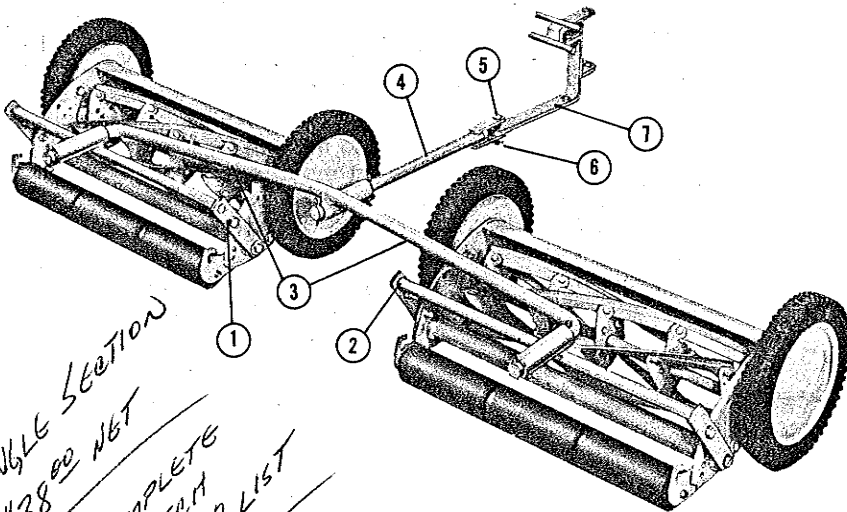
To have your order filled correctly and for prompt ser-

vice, please furnish the following information:

1. Model, number and year of purchase of tractor or attachment.
2. Part number, description, and quantity of part. (See parts list)

Be sure to include postage with your order. We do not pay transportation charges. Shipping weights are shown. Any excess will be promptly refunded.

We reserve the right to change construction, specifications, prices and terms, without notice and without obligation as to tractors and attachments heretofore shipped.



GANG COMPANION MOWER PARTS LIST

Order by Part Number

Item No.	Part No.	Name of Part	Ship. Wt.	
			Lbs.	Oz.
1	100014	Single Draw Bar Assy. (left hand side when used with 24" mower — right hand side when used with 30" mower)	7	8
2	100015	Single Draw Bar Assy. (right hand side when used with 24" mower — left hand side when used with 30" mower)	7	8
3	100017	Double Draw Bar Assy.	16	
4	100022	Tongue Assy.	6	
5	100028	Tongue Pin		6
6	S1A45A	Spring Clip <i>8.1.10.45</i>		2
7	100033	Frame Extension Assy.	6	
8	L-105	Wheel Axle <i>4.10.5</i>	1	
9	L-107	Wheel Retaining Washer <i>4.10.7</i>		4
10	L-114	Adjusting Cam <i>4.11.4</i>		6
11	L-123	Bearing Housing <i>4.12.3</i>	1	
12	L-134	Driving Pawl <i>4.13.4</i>		6
13	LP-201	Internal Gear Wheel <i>2.01</i>	3	

Item No.	Part No.	Name of Part	Ship. Wt.	
			Lbs.	Oz.
14	LP-202	Hub Cap		8
15	LP-203	Pinion Gear (L.H.)		8
16	LP-204	Pinion Gear (R.H.)		8
17	LP-215-7	Reel Bearing—"Nice" No. 1623 DS <i>20.25.7</i>		8
18	LP-215-22	Retainer Ring <i>20.25.22</i>		4
19	LP-215-24	Wheel Bearing <i>20.25.24</i>		8
20	LP-220	Roller	3	8
21	LP-269	Tire	4	
22	LP-281	Roller Retainer Bracket (L.H.)		8
23	LP-282	Roller Retainer Bracket (R.H.)		8
24	LP-283	Roller Shaft	1	
25	LP-443	Hitch Bushing		4
26	LPA-360	Reel Assembly—20" <i>10.36.0</i>	12	
27	LPA-351	Cutter Bar Assy.—20" <i>10.35.1</i>		7
28	LPA-286	Side Frame Assy. (R.H.) <i>10.28.6</i>		7
29	LPA-287	Side Frame Assy. (L.H.) <i>10.28.7</i>		7
30	LP-472	Brush Bar Assy.—20"		5
31	LP-264	Pinion Gear Insert (Specify Right or Left)		6