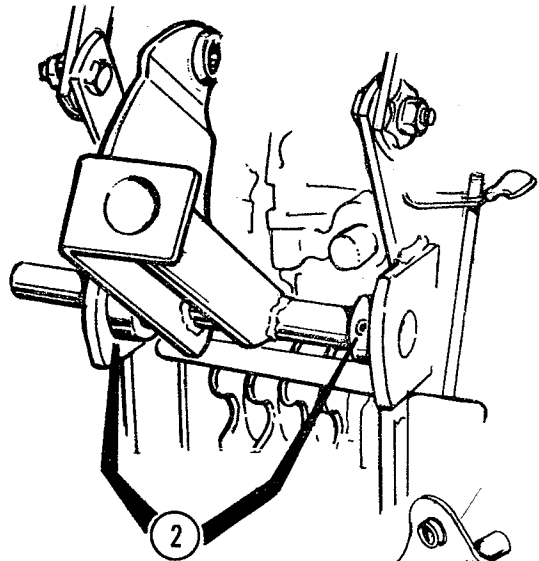
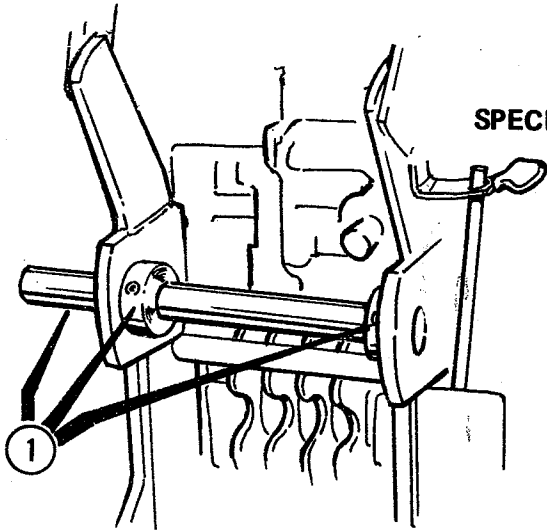


# Simplicity

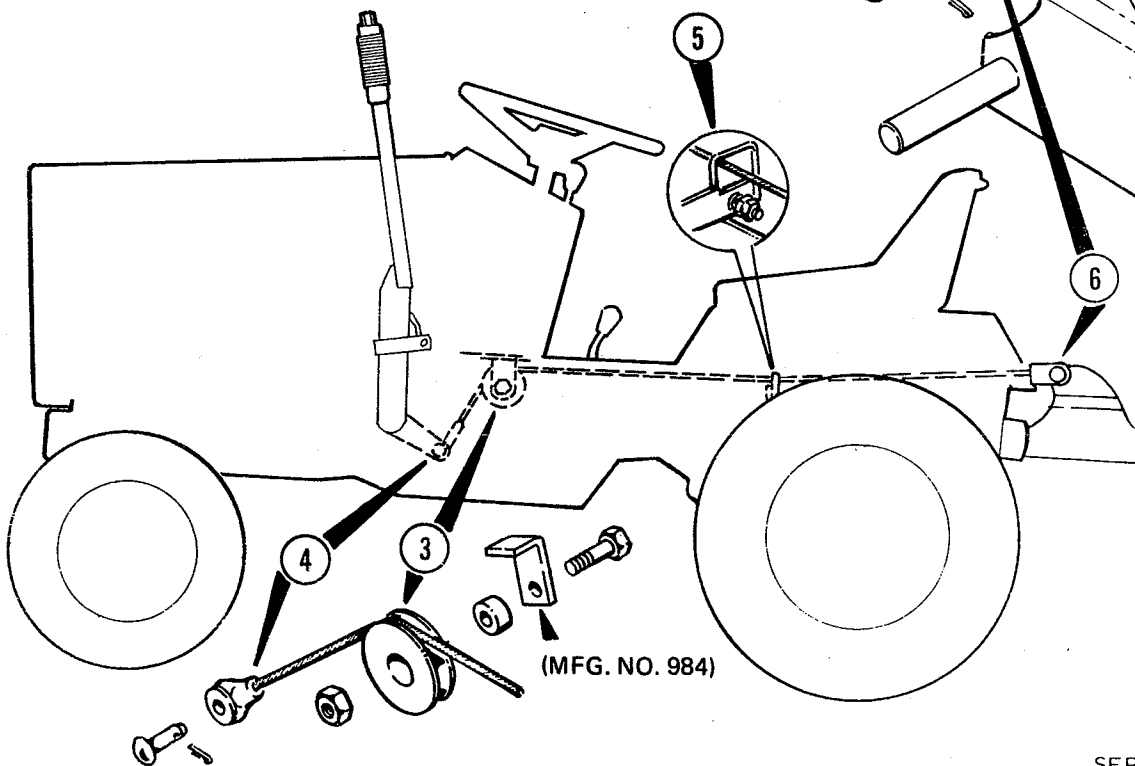
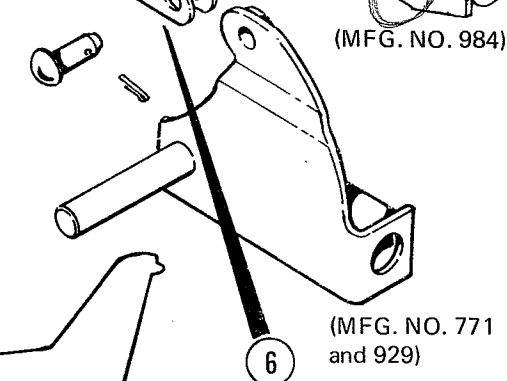
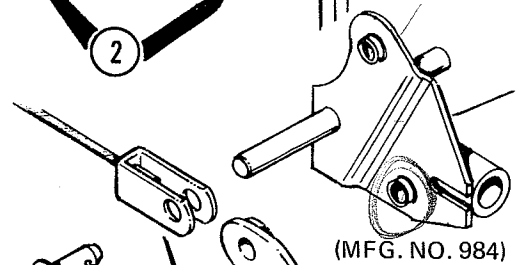
## LANDLORD, BARON AND SOVEREIGN REAR LIFT KITS

MFG. NO. 771  
MFG. NO. 929  
MFG. NO. 984

SPECIFICATION SUBJECT TO CHANGE WITHOUT NOTICE



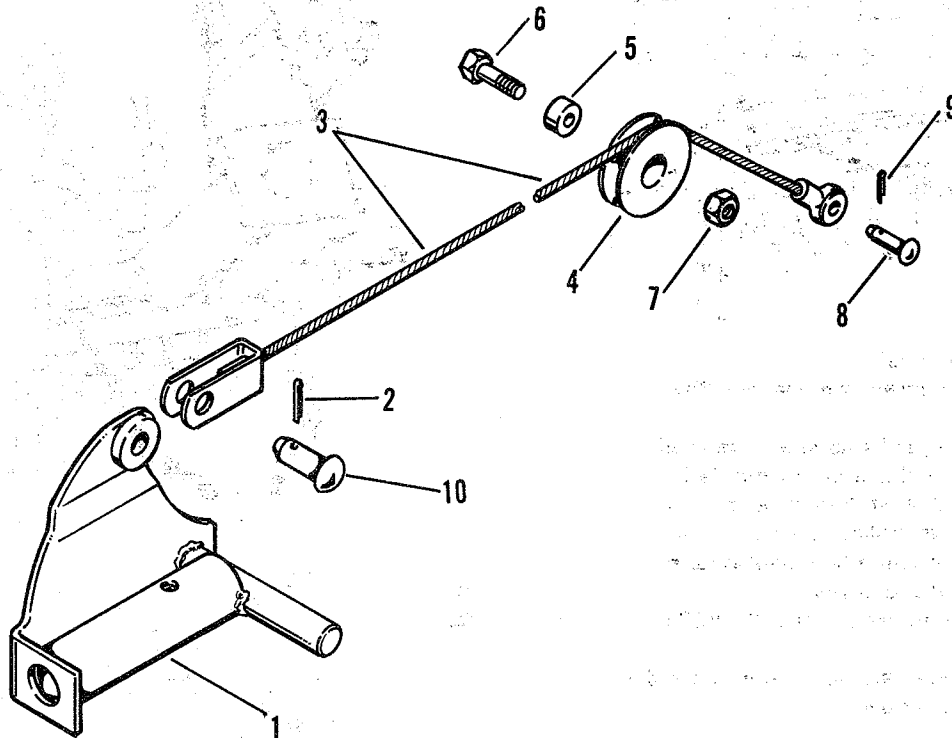
1. Remove set collars and rod.
2. Insert lift lever assembly and replace set collars removed in step 1.
3. Place cable over pulley and secure to bottom of frame with hardware and spacer provided. When installing MFG. NO. 984 kit, locate cable guard lip over pulley at cable-pulley point of contact.
4. Secure end of cable assembly to ears of lift arm assembly with pin and cotter pin.
5. Be sure cable passes through guard on the P.T.O. bracket.
6. Secure end of cable assembly to lift lever assembly with pivot pin and cotter pin.



PRINTED IN U.S.A.

SER. FORM - 178073  
LITHO IN U.S.A.

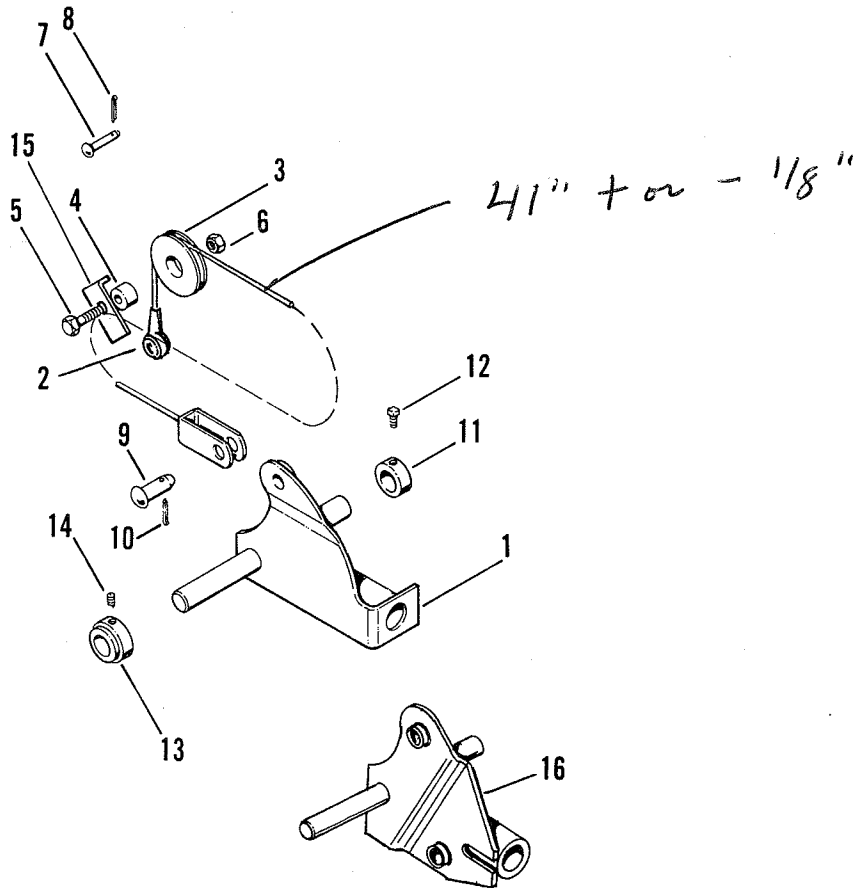
# REAR LIFT KIT MFG. NO. 771



## ORDER BY PART NUMBER

Ref. No.	Part No.	Qty. Req.	Description
1	157671	1	Lift Lever Assembly
2	722006	1	Cotter Pin, 1/8" x 1"
3	174086	1	Lift Cable Assembly
4	172725	1	Pulley
5	157081	1	Spacer
6	705016	1	Hex Capscrew, 3/8"-16 x 1-1/4"
7	717013	1	Hex Nut, Jam, 3/8"-16
8	174215	1	Pin
9	722005	1	Cotter Pin, 3/32" x 7/8"
10	102004	1	Pivot Pin

REAR LIFT KIT MFG. NO. 929  
 REAR LIFT KIT MFG. NO. 984



ORDER BY PART NUMBER

Ref. No.	Part No.	Qty. Req.	Description
1	157671	1	Lift Lever Assembly (929 Only)
2	174086	1	Lift Cable Assembly
3	172725	1	Pulley
4	157081	1	Spacer
5	705016	1	Hex Capscrew, 3/8"-16 x 1-1/4" lg.
6	717013	1	Hex Jam Nut, 3/8"-16
7	174215	1	Pin
8	722005	1	Cotter Pin, 3/32" x 7/8" lg.
9	102004	1	Pin
10	722006	3	Cotter Pin, 1/8" x 1" lg.
11	8021010	1	Set Collar
12	713002	1	Set Screw, 5/16"-18 x 3/8" lg.
13	157695	1	Set Collar
14	713010	1	Set Screw
15	174723	1	Cable Guard (Mfg. No. 984 Only)
16	1608761	1	Lift Lever Assembly (Mfg. No. 984 Only)

