

Simplicity®

MFG. NO. 907	REAR BALL HITCH
MFG. NO. 929	REAR LIFT KIT
MFG. NO. 280	HUB CAPS
MFG. NO. 045	WEIGHTS
MFG. NO. 300	REAR WEIGHT
MFG. NO. 449	WHEEL WEIGHT
MFG. NO. 456	REAR LIGHT KIT
MFG. NO. 462	HUB CAPS
MFG. NO. 466	FRONT WEIGHT
MFG. NO. 566	HUB CAPS
MFG. NO. 668	FRONT WEIGHT
MFG. NO. 684	FRONT LIGHT KIT
MFG. NO. 685	REAR BALL HITCH
MFG. NO. 686	FRONT BALL HITCH
MFG. NO. 689	FRONT LIGHT KIT
MFG. NO. 708	WHEEL WEIGHT

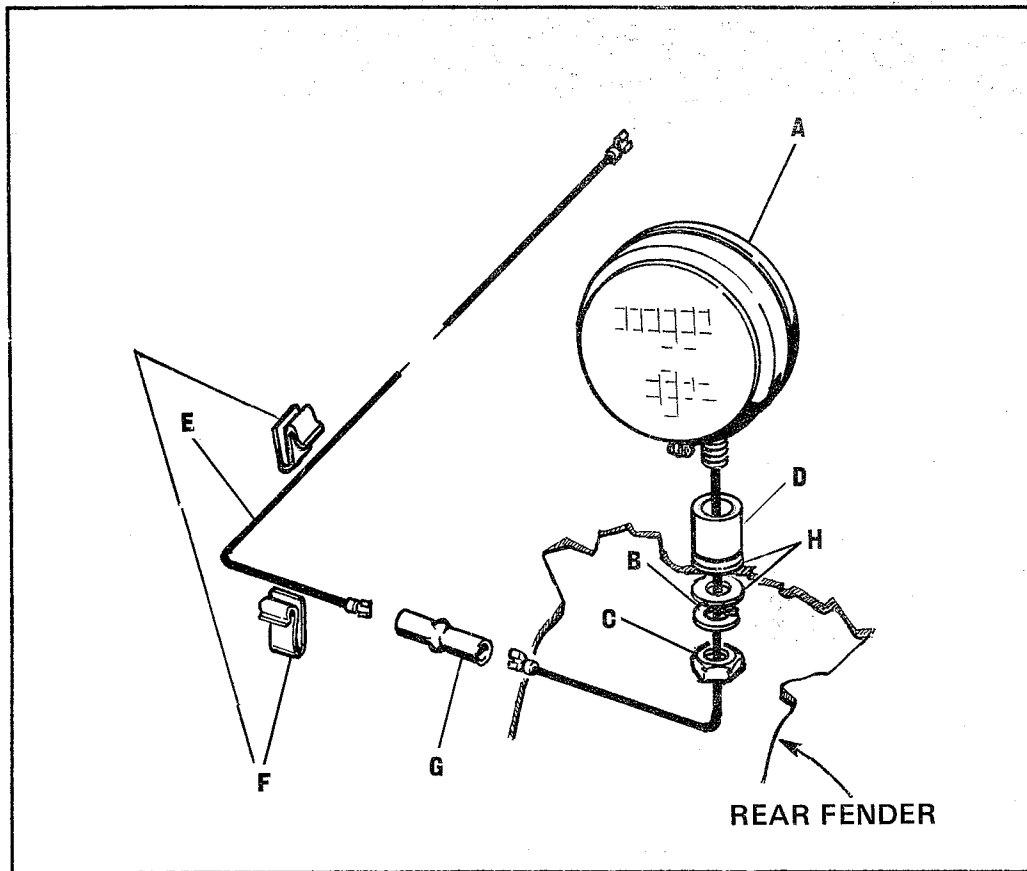
OWNER'S MANUAL

MISCELLANEOUS ATTACHMENTS AND ACCESSORIES



SER. FORM - OP15A
LITHO IN U.S.A.

130



Ref. Let.	Part No.	Description
A	122175	Lamp Assembly
B	720004	Lock Washer, 1/2"
C	717006	Full Hex. Nut, 1/2"-13
D	122053	Spacer
E	122187	Wire (to rear lamp)
F	122159	Wire Clip
G	1605751	Connector, Line
H	719003	Plain Washer, 7/16"

REAR LIGHT KIT MFG. NO. 456

PACKING

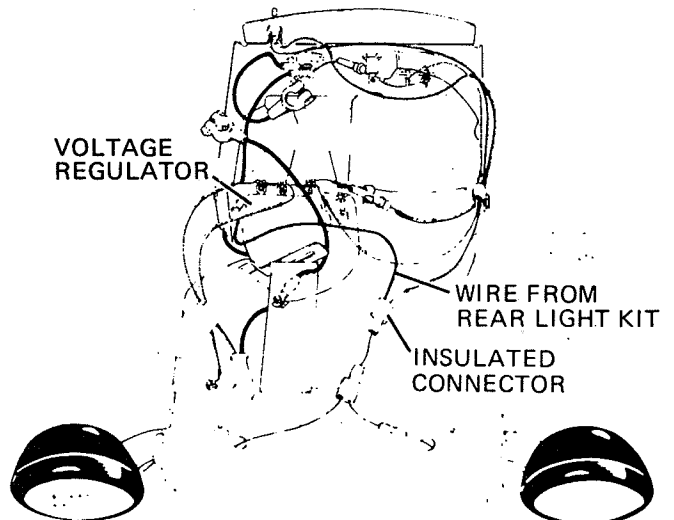
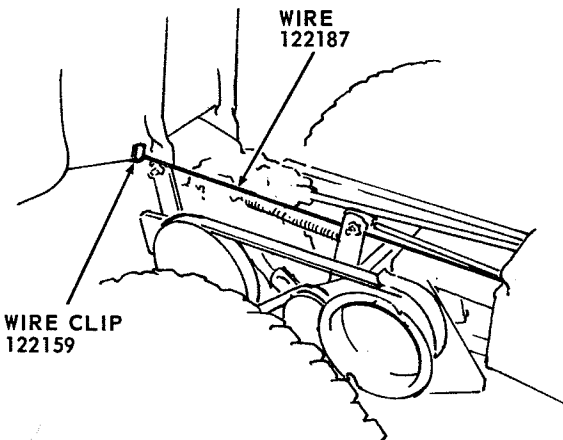
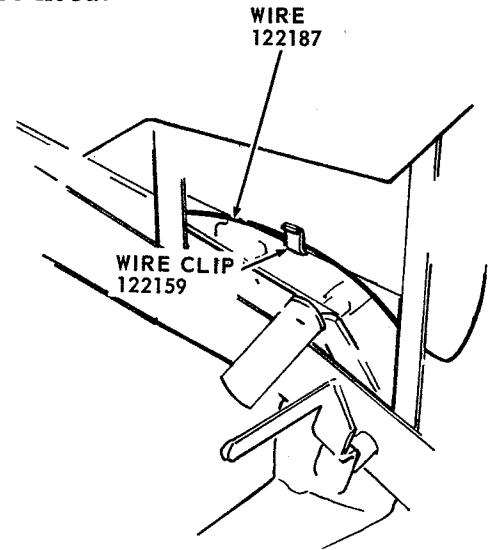
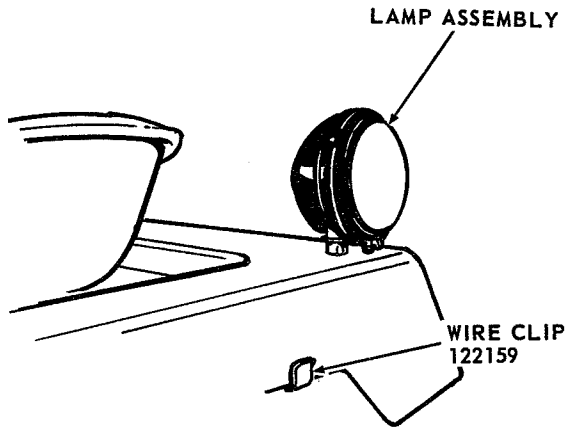
The Rear Light Kit is shipped in one carton. The contents of the carton are:

- 1 - Lamp Assembly
- 1 - Wire Assembly
- 1 - Bag of Hardware

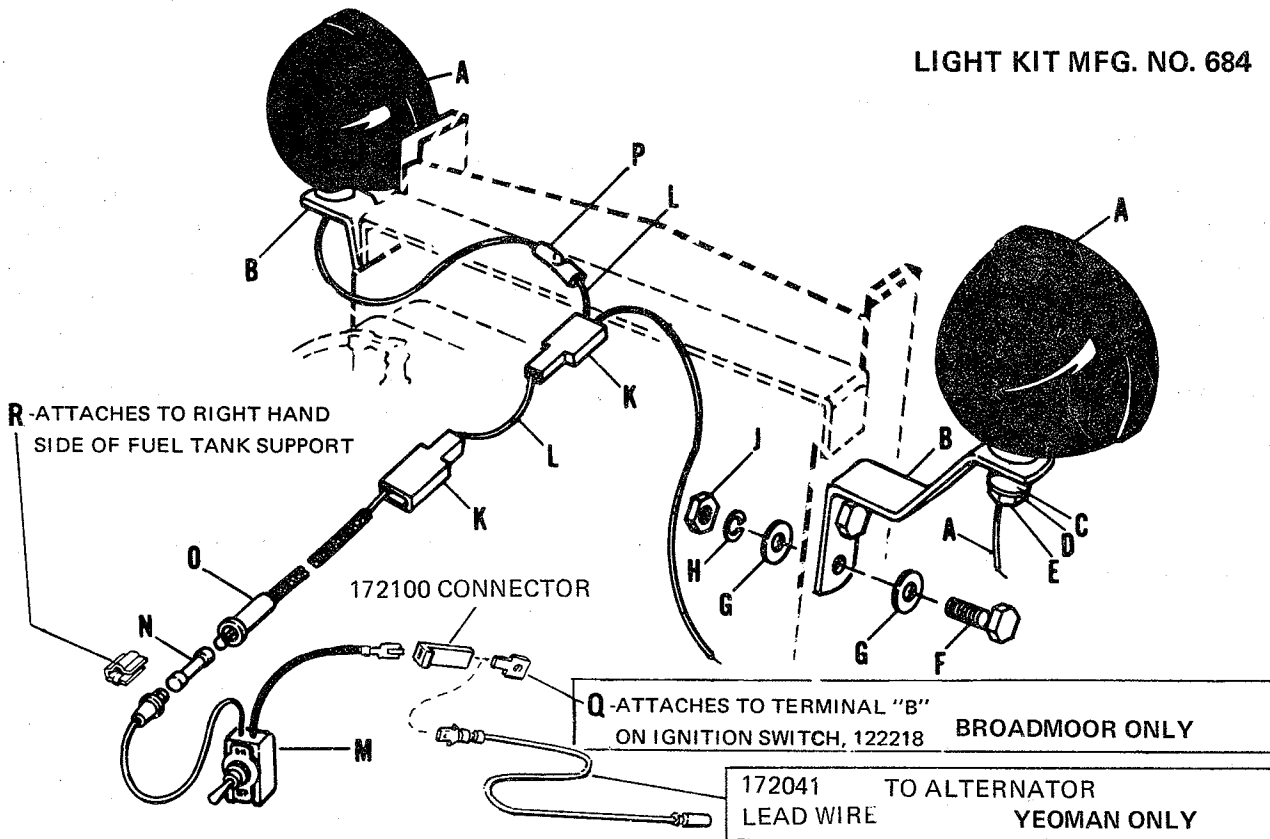
ASSEMBLY INSTRUCTIONS

1. Remove right side panel and hood.
2. Install lamp assembly on the seat deck with 122053 spacer & 2-719003 washer. To insure a positive ground remove all paint from the immediate area around the lamp supporting hole. Install 122157 connector & 122187 wire.

3. Route long wire from rear lamp assembly under seat support and shift panel assembly; through the hole in battery carrier and up next to voltage regulator to accessory terminal of insulated connector. Wire should be kept tight against tractor frame.
4. Attach 122159 clips on battery carrier and seat panel as shown.
5. Replace side panel.
6. Excess wire can be taped to starter wiring cables.
7. Replace hood.



LIGHT KIT MFG. NO. 684



1. Remove Hood and Battery.

2. Remove white plastic plug button from 1/2" hole on the dash board and install toggle switch. (Ref. Let. "M").

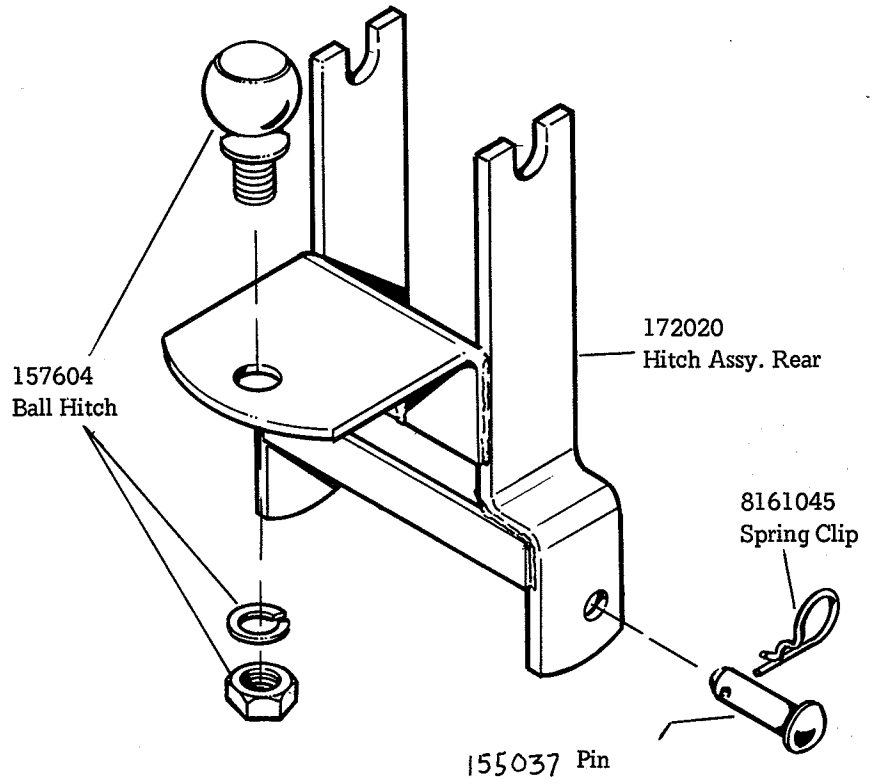
3. Before beginning to install the light kit, study the above illustration and identify all of the parts. Attach the light support brackets (2) 122194 with 705018 capscrews, 720001 lockwashers, 719002 plain washers and 717001 hex nuts. The bottom hole of the light support bracket 122194 will have 2 plain washers 719002, one under the head of the capscrew and the other between the lockwasher and the grill support.

4. Remove all paint from the immediate area around the two lamp mounting holes on the light support and mount the lamps to the support with a spacer between the lamp support and nut. Fasten securely with a 1/2" - 13 hex nut and lockwasher.

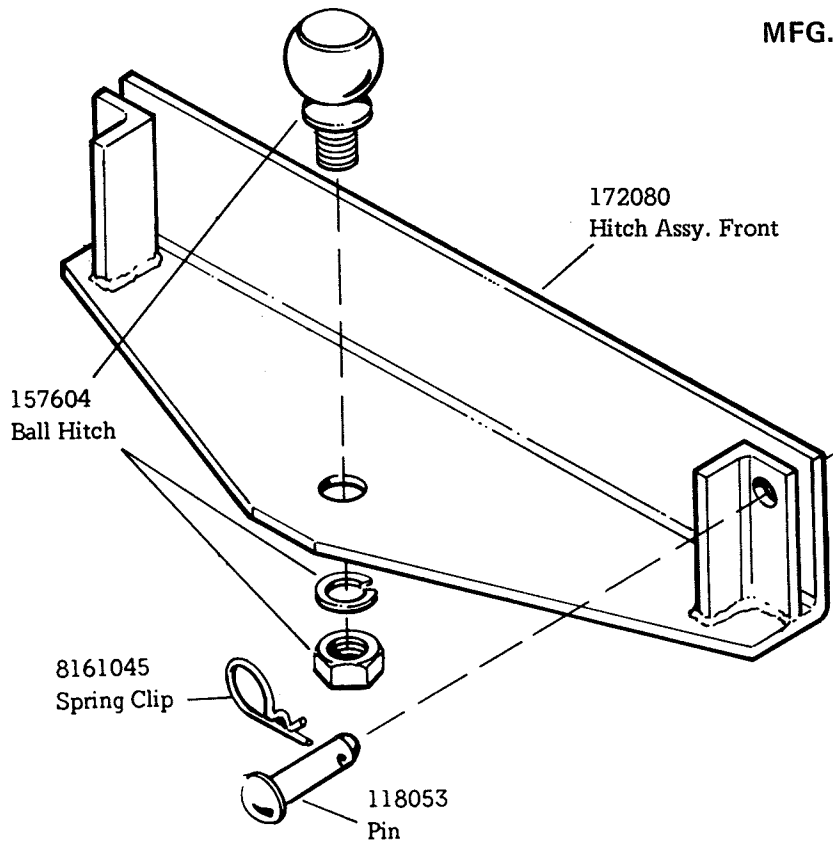
5. Attach the terminals of the lamp wires to the connector. Attach the extension wire (122185) between the two connectors. Remove the wire clamp near the front left corner of the gas tank. Install the wire (122212) from the connector to the fuse through the clamp and refasten. Then install toggle switch wire to other end of fuse. Attach other toggle switch wire to ignition switch terminal.

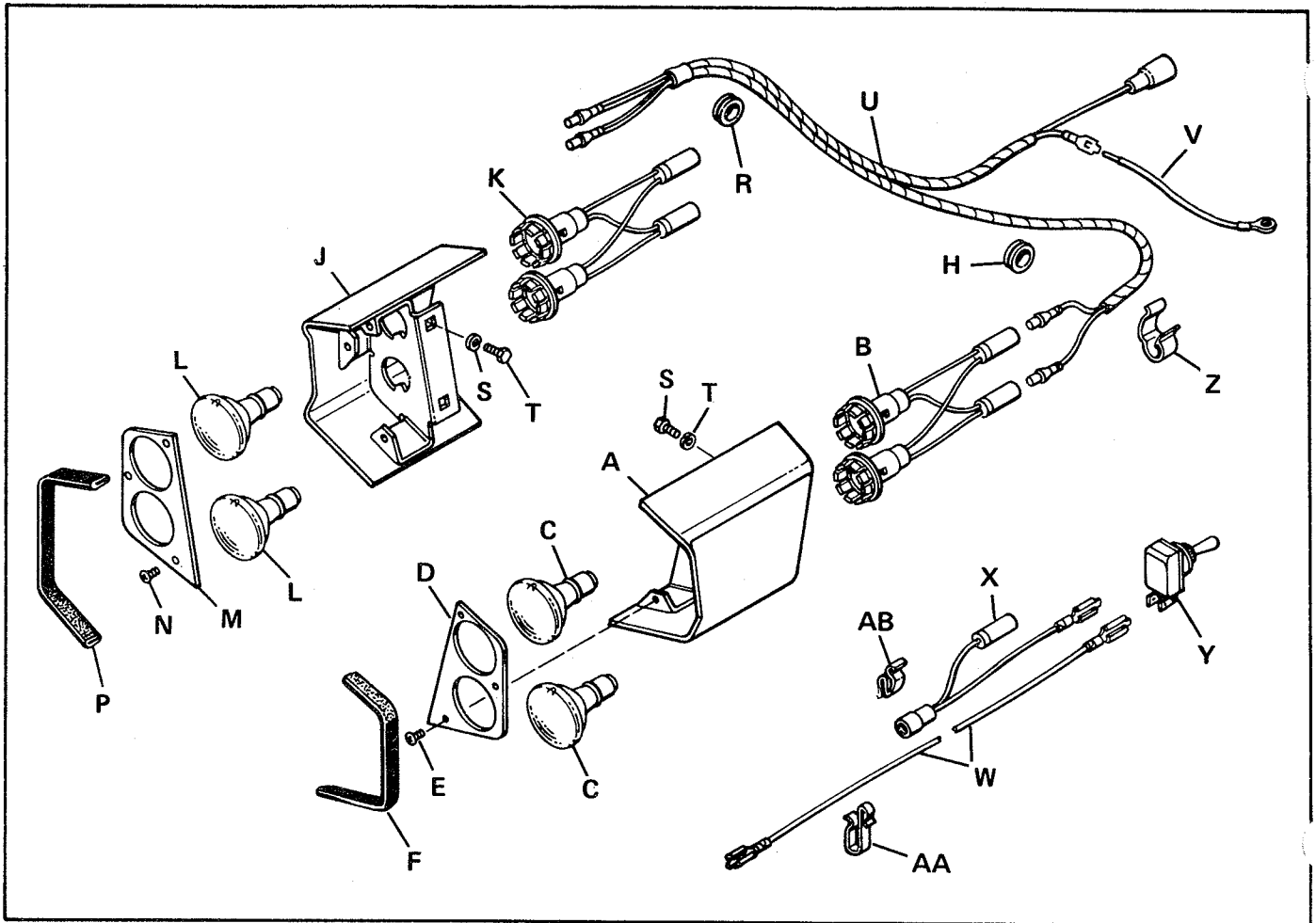
Ref. Let.	Part No.	Description
A	122175	Lamp Assembly
B	122194	Bracket
C	122053	Spacer
D	720004	Lock Washer, 1/2"
E	717006	Full Hex. Nut, 1/2" - 13
F	705018	Hex. Capscrew, 5/16" - 18 x 1-1/2"
G	719002	Plain Washer, 5/16"
H	720001	Lock Washer, 5/16"
J	717001	Full Hex. Nut, 5/16" - 18
K	122182	Insulated Connector
L	122185	Extension Wire
M	122211	Toggle Switch (with hardware)
N	122172	Fuse 20 Amp.
O	122212	Wire Connector
P	122157	Connector
Q	170202	Terminal
R	122183	Fuse Clip

MFG. NO. 685 BALL HITCH, REAR



MFG. NO. 686 BALL HITCH, FRONT



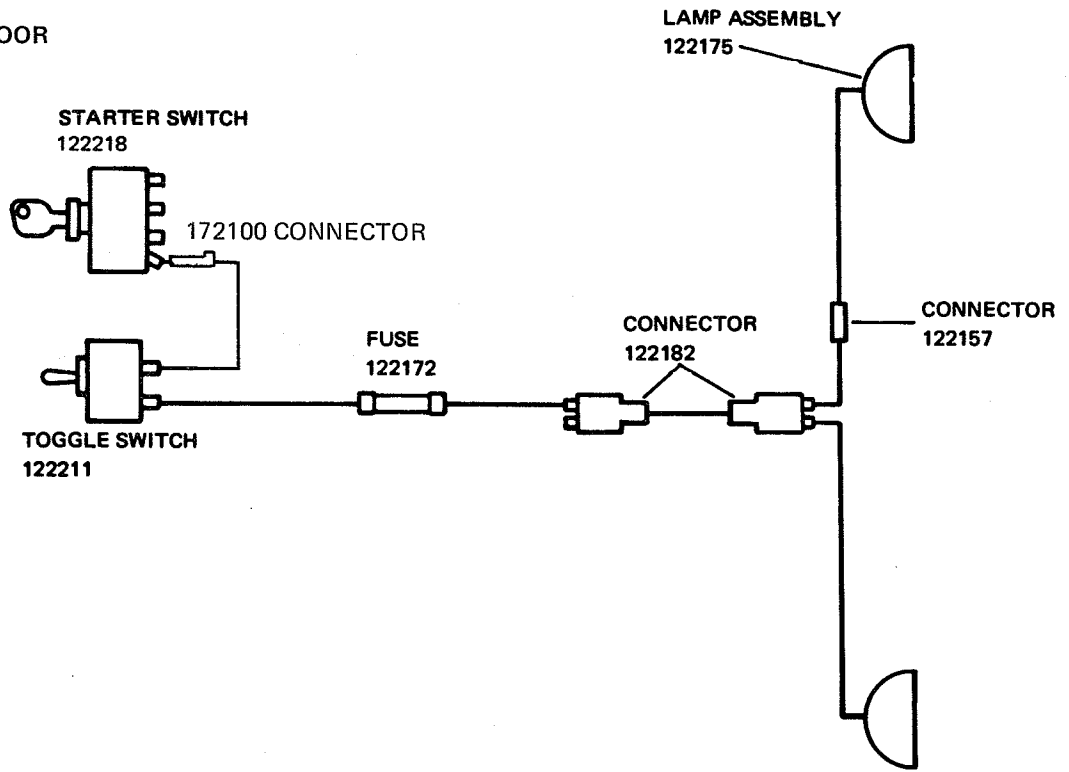


Ref. Let.	Part No.	Description
A	172286	Shroud & Plate Assy. L.H.
B	172290	Lamp Socket & Wire Assy.
C	172048	Headlight
D	172243	Plate, Front
E	714019	Screw, Round Head Phillips Swageform No. 12-24 x 1/2"
F	172269	Moulding
*G	172156	Adhesive No.1099, 3M
H	172176	Grommet
J	172285	Shroud & Plate Assy. R.H.
K	172290	Lamp Socket & Wire Assy.
L	172048	Headlight
M	172243	Plate, Front
N	714019	Screw, Round Head, Phillips Swageform No. 12-24 x 1/2"

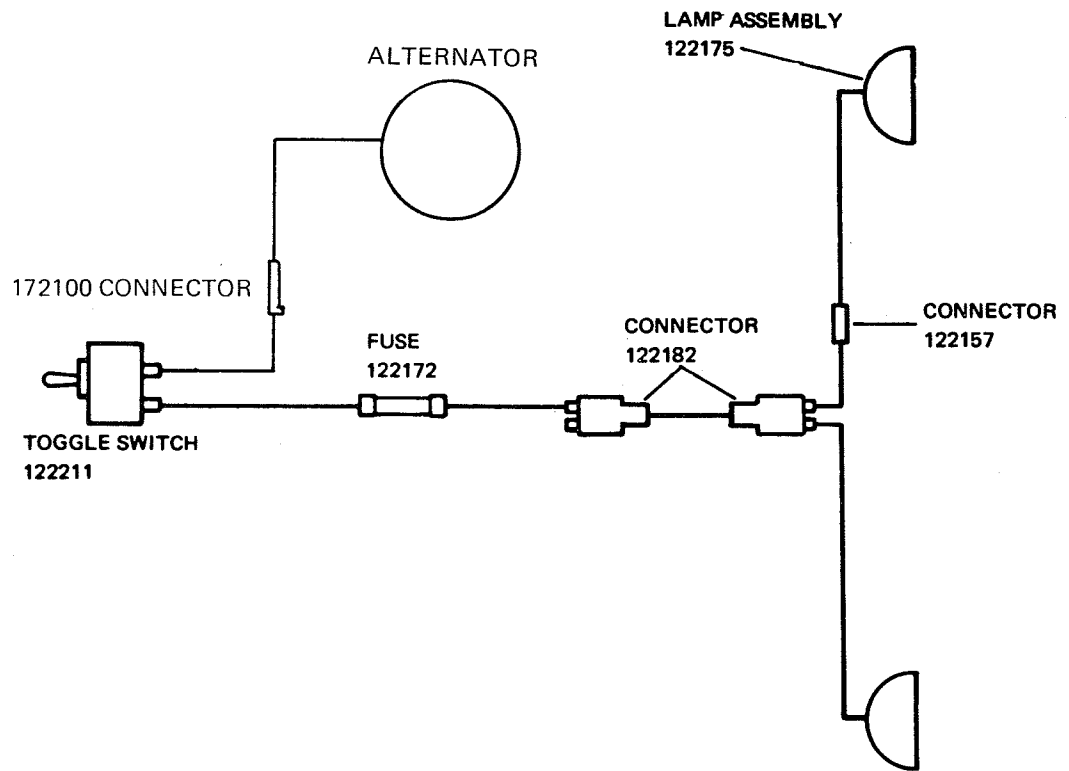
Ref. Let.	Part No.	Description
P	172269	Moulding
*Q	172156	Adhesive, No.1099, 3M
R	172176	Grommet
S	705030	Hex Cap Screw, 1/4"-20 N.C. x 3/4"
T	720003	Lock Washer, 1/4" Std.
U	172294	Harness Assy.
V	172295	Wire Assy., Ground
W	172296	Wire Assy., Light Switch
X	172297	Wire Assy., Indicator Lamp
Y	122184	Switch, Toggle
Z	172436	Cable Clip Tinnerman, Front Frame
AA	172434	Cable Clip Tinnerman, Rear Frame
AB	172433	Cable Clip Tinnerman, Top of Grille

*Not Illustrated

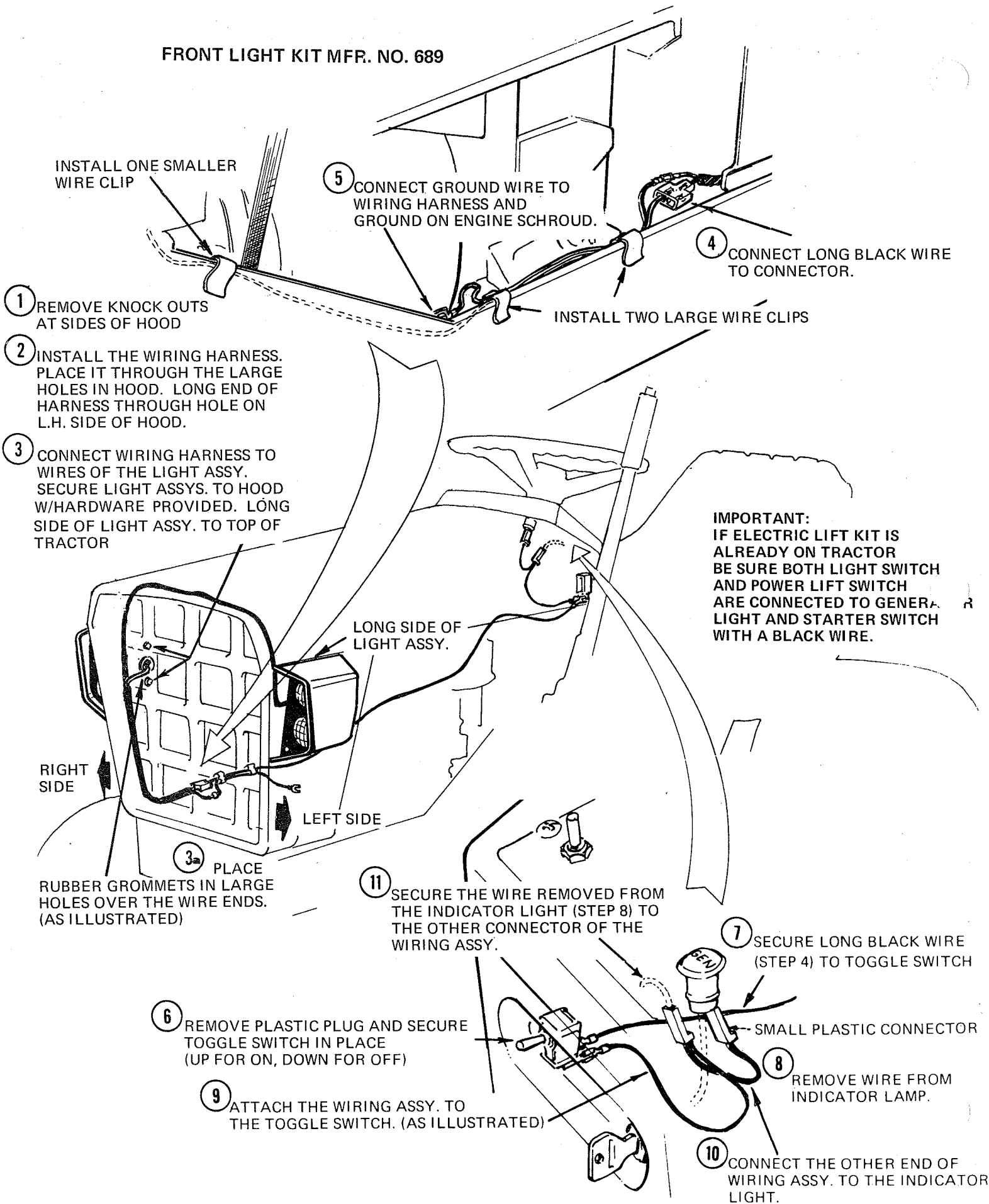
BROADMOOR



YEOMAN



FRONT LIGHT KIT MFR. NO. 689



INSTALL ONE SMALLER WIRE CLIP

1 REMOVE KNOCK OUTS AT SIDES OF HOOD

2 INSTALL THE WIRING HARNESS. PLACE IT THROUGH THE LARGE HOLES IN HOOD. LONG END OF HARNESS THROUGH HOLE ON L.H. SIDE OF HOOD.

3 CONNECT WIRING HARNESS TO WIRES OF THE LIGHT ASSY. SECURE LIGHT ASSYS. TO HOOD W/HARDWARE PROVIDED. LONG SIDE OF LIGHT ASSY. TO TOP OF TRACTOR

5 CONNECT GROUND WIRE TO WIRING HARNESS AND GROUND ON ENGINE SCHROUD.

4 CONNECT LONG BLACK WIRE TO CONNECTOR.

INSTALL TWO LARGE WIRE CLIPS

IMPORTANT:
IF ELECTRIC LIFT KIT IS ALREADY ON TRACTOR BE SURE BOTH LIGHT SWITCH AND POWER LIFT SWITCH ARE CONNECTED TO GENERATOR LIGHT AND STARTER SWITCH WITH A BLACK WIRE.

LONG SIDE OF LIGHT ASSY.

RIGHT SIDE

LEFT SIDE

3a PLACE RUBBER GROMMETS IN LARGE HOLES OVER THE WIRE ENDS. (AS ILLUSTRATED)

11 SECURE THE WIRE REMOVED FROM THE INDICATOR LIGHT (STEP 8) TO THE OTHER CONNECTOR OF THE WIRING ASSY.

7 SECURE LONG BLACK WIRE (STEP 4) TO TOGGLE SWITCH

6 REMOVE PLASTIC PLUG AND SECURE TOGGLE SWITCH IN PLACE (UP FOR ON, DOWN FOR OFF)

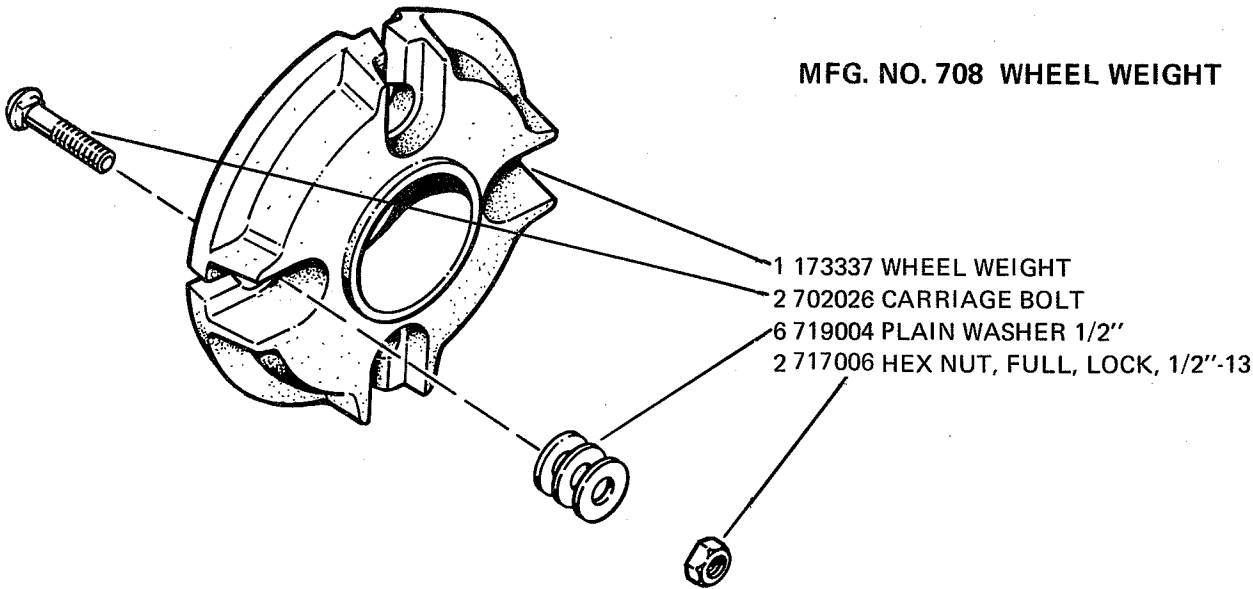
SMALL PLASTIC CONNECTOR

9 ATTACH THE WIRING ASSY. TO THE TOGGLE SWITCH. (AS ILLUSTRATED)

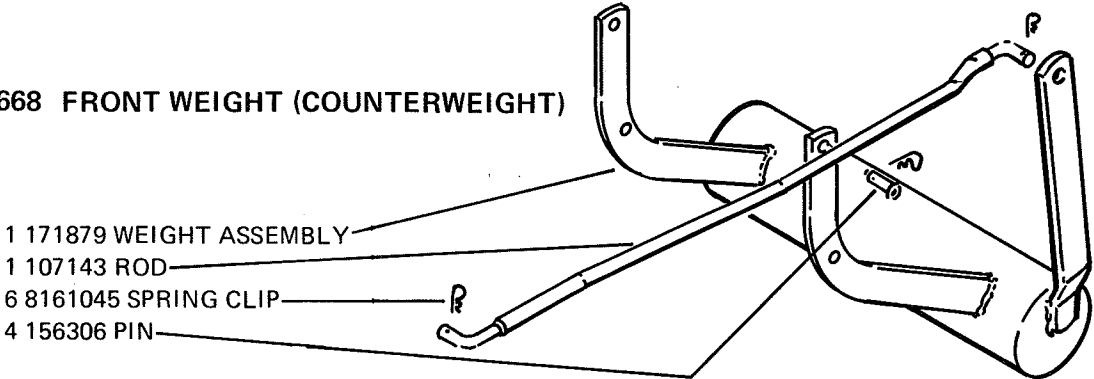
8 REMOVE WIRE FROM INDICATOR LAMP.

10 CONNECT THE OTHER END OF WIRING ASSY. TO THE INDICATOR LIGHT.

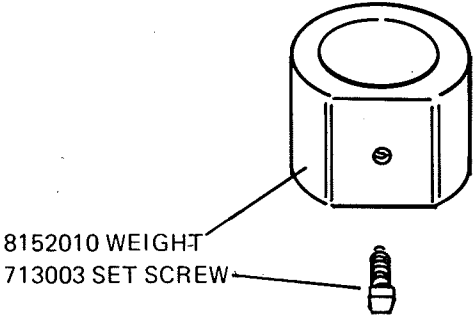
MFG. NO. 708 WHEEL WEIGHT



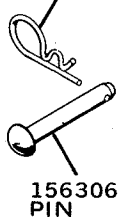
MFG. NO. 668 FRONT WEIGHT (COUNTERWEIGHT)



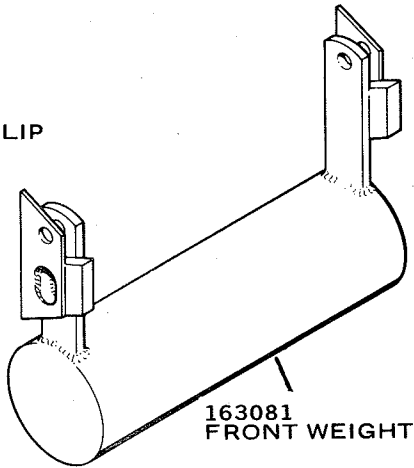
MFG. NO. 045 WEIGHT



8161045
SPRING CLIP



156306
PIN

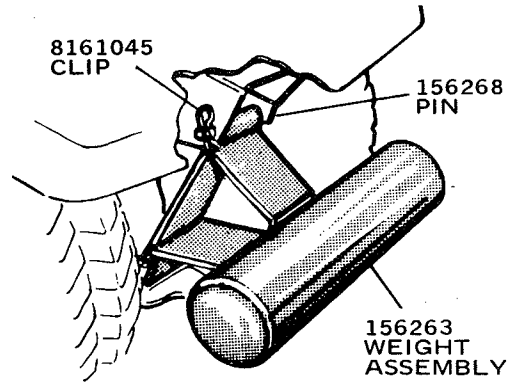


163081
FRONT WEIGHT

MFG. NO. 466 FRONT WEIGHT

MFG. NO. 300 REAR WEIGHT

8161045
CLIP

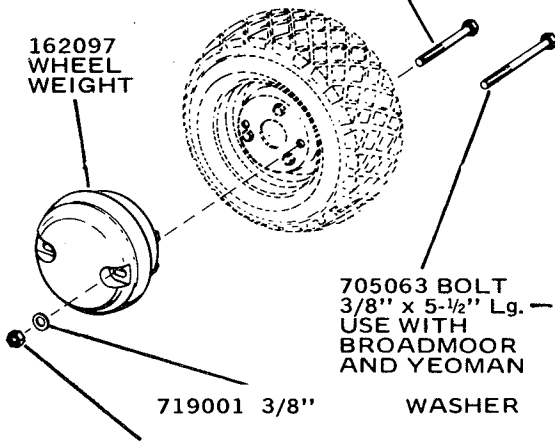


156268
PIN

156263
WEIGHT
ASSEMBLY

705032 BOLT 3/8" x 3-3/4" Lg.
USE WITH SERF

162097
WHEEL
WEIGHT



719001 3/8"

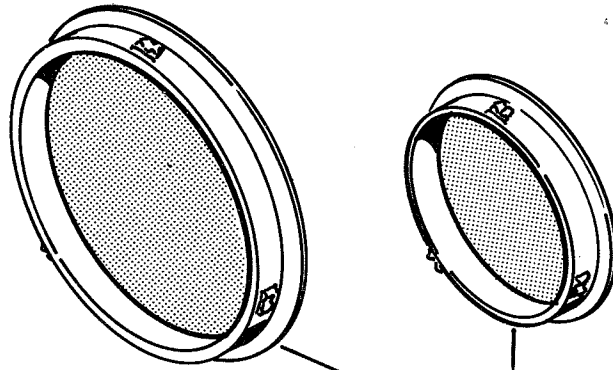
WASHER

717003 3/8" NUT

705063 BOLT
3/8" x 5-1/2" Lg. — ALSO LANDLORD - SOVEREIGN FRONT
USE WITH
BROADMOOR
AND YEOMAN

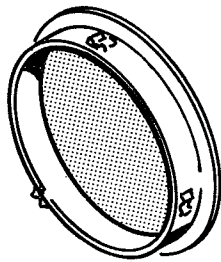
MFG. NO. 449 WHEEL WEIGHT

MFG. NO. 280 HUB CAPS



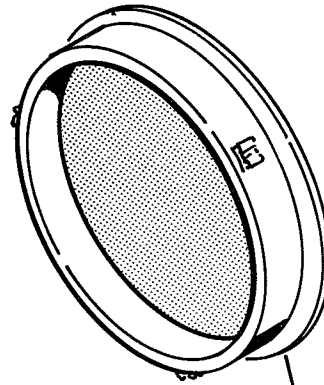
2 156211 HUB CAP
2 154505 HUB CAP

MFG. NO. 462 HUB CAPS

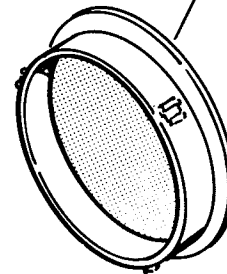


2 156210 HUB CAP
2 156211 HUB CAP

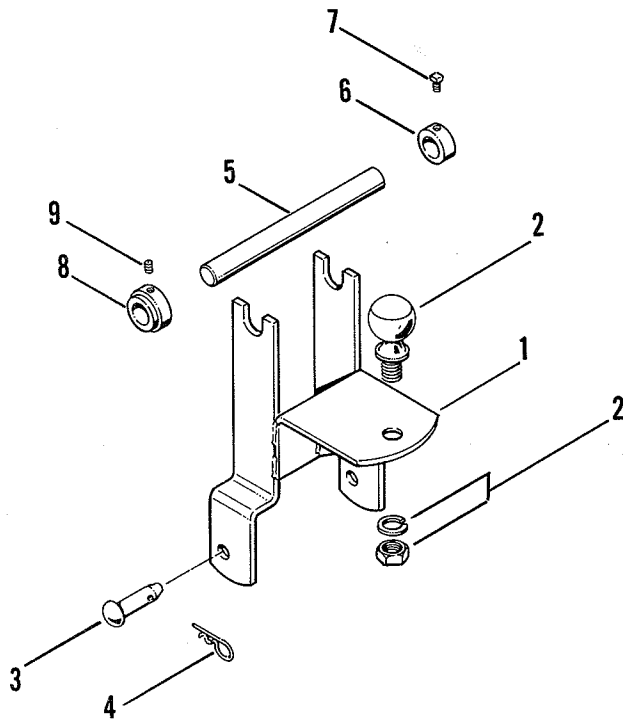
MFG. NO. 566 HUB CAPS



2 163114 HUB CAP
2 156211 HUB CAP

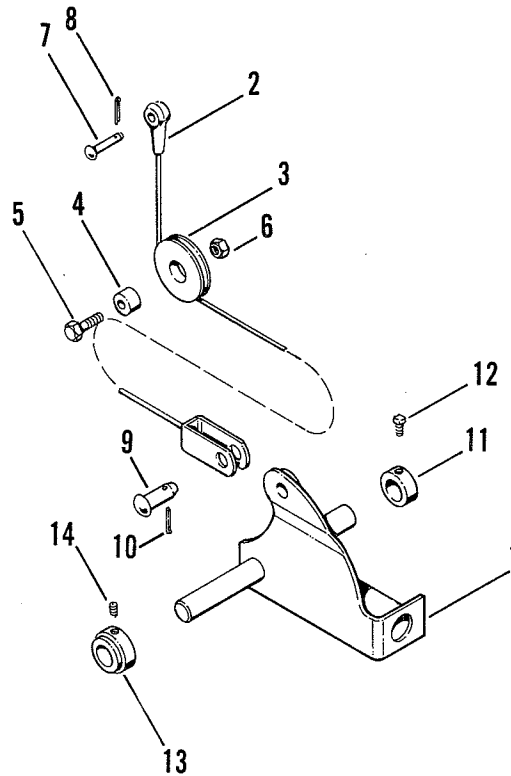


REAR BALL HITCH MFG. NO. 907



Ref. No.	Part No.	Qty. Req.	Description
1	172020	1	Rear Hitch Assembly
2	157604	1	Ball Hitch (Includes Nut & Lock Washer)
3	155037	2	Pin
4	8161045	2	Spring
5	154216	1	Lift Shaft
6	8021010	1	Set Collar
7	713002	1	Set Screw, 5/16" -18 x 3/8"lg.
8	157695	1	Set Collar
9	713010	1	Set Screw

REAR LIFT KIT MFG. NO. 929



Ref. No.	Part No.	Qty. Req.	Description
1	157671	1	Lift Lever Assembly
2	174086	1	Lift Cable Assembly
3	172725	1	Pulley
4	157081	1	Spacer
5	705016	1	Hex Capscrew, 3/8"-16 x 1-1/4" lg.
6	717013	1	Hex Jam Nut, 3/8"-16
7	174215	1	Pin
8	722005	1	Cotter Pin, 3/32" x 7/8" lg
9	102004	1	Pin
10	722006	1	Cotter Pin, 1/8" x 1" lg.
11	8021010	1	Set Collar
12	713002	1	Set Screw, 5/16"-18 x 3/8" lg.
13	157695	1	Set Collar
14	713010	1	Set Screw

