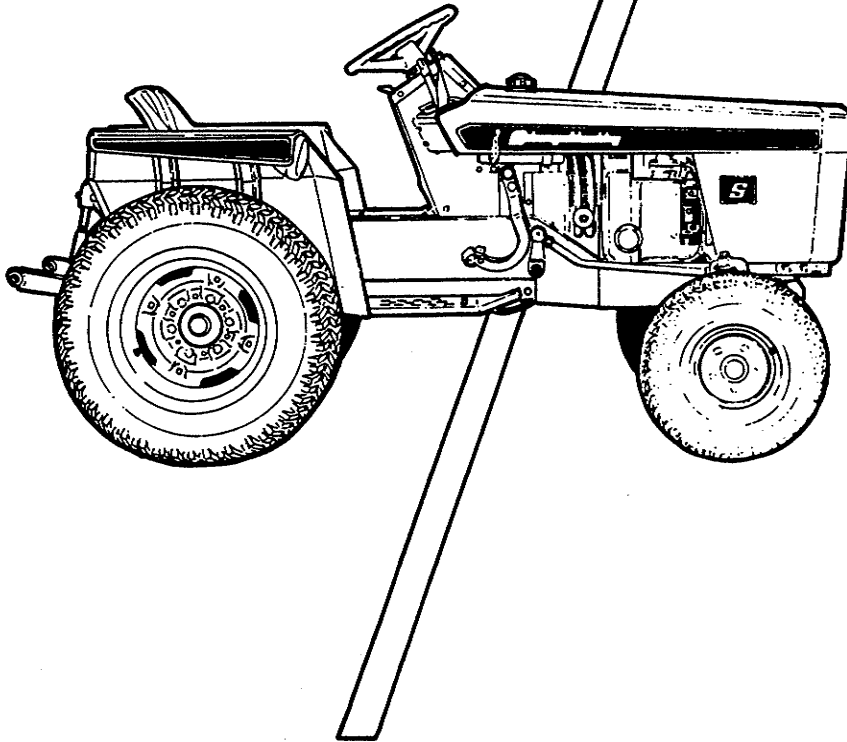


Simplicity **POW'R MAX**



PARTS CATALOG
MFG. NO. 920, 953 and 954
AGRICULTURAL-INDUSTRIAL TRACTOR

TP 400-1370-00-PM-S

TABLE OF CONTENTS

TRANSMISSION - PAGE 3 & 4
DIFFERENTIAL - PAGE 5 & 6
REAR LIFT - PAGE 31

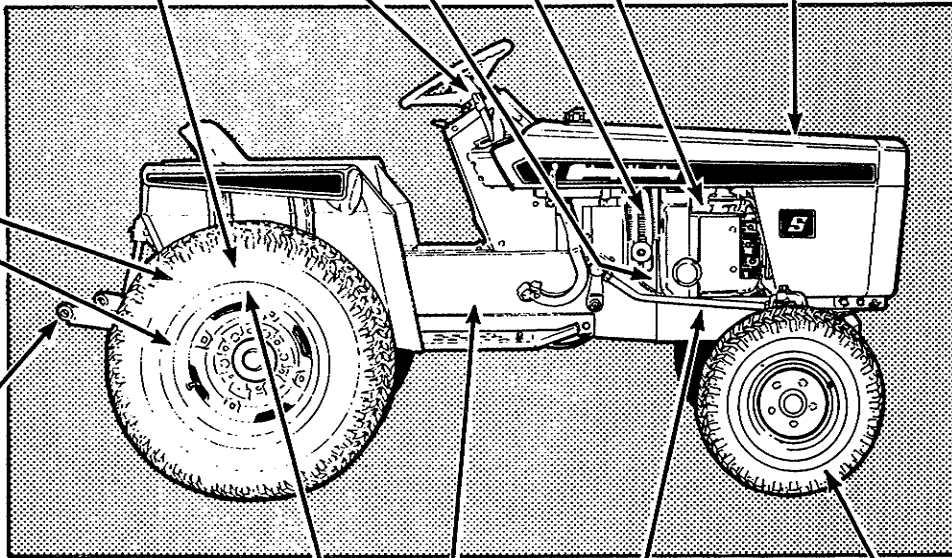
SPEED CONTROL - PAGE 15 & 16

MAIN DRIVE - PAGE 19 & 20

HYDRAULIC SYSTEM - PAGE 19 & 20

ENGINE & FUEL SYSTEM - PAGE 13 & 14

SHEET METAL & LIGHTS - PAGE 23 & 24



3 POINT HITCH - PAGE 25 & 26
REAR PTO - PAGE 27 & 28

FRAME and FRONT
AXLE - PAGES 7 & 8

WHEEL & TIRES - PAGE 33 & 34

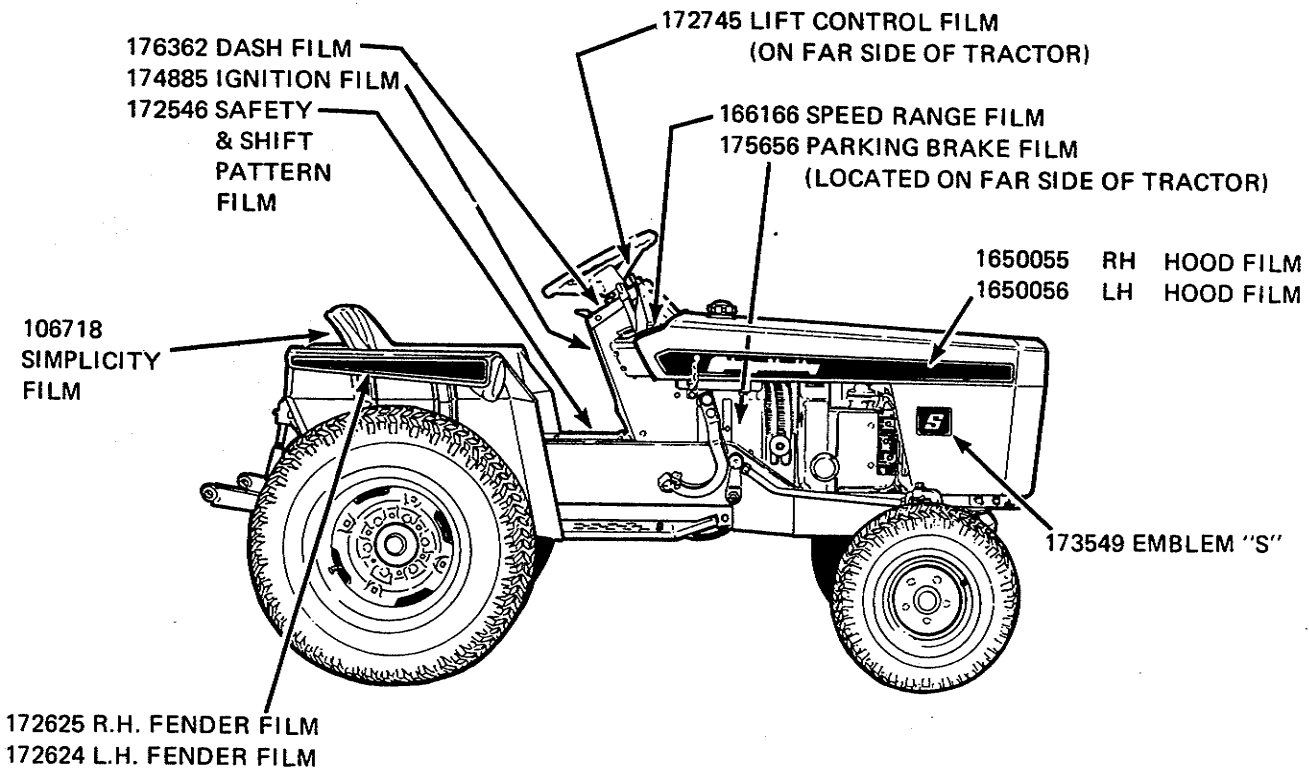
STEERING SYSTEM - PAGE 21 & 22

BRAKES - PAGE 9 & 10
DROP HOUSING - PAGE 11 & 12

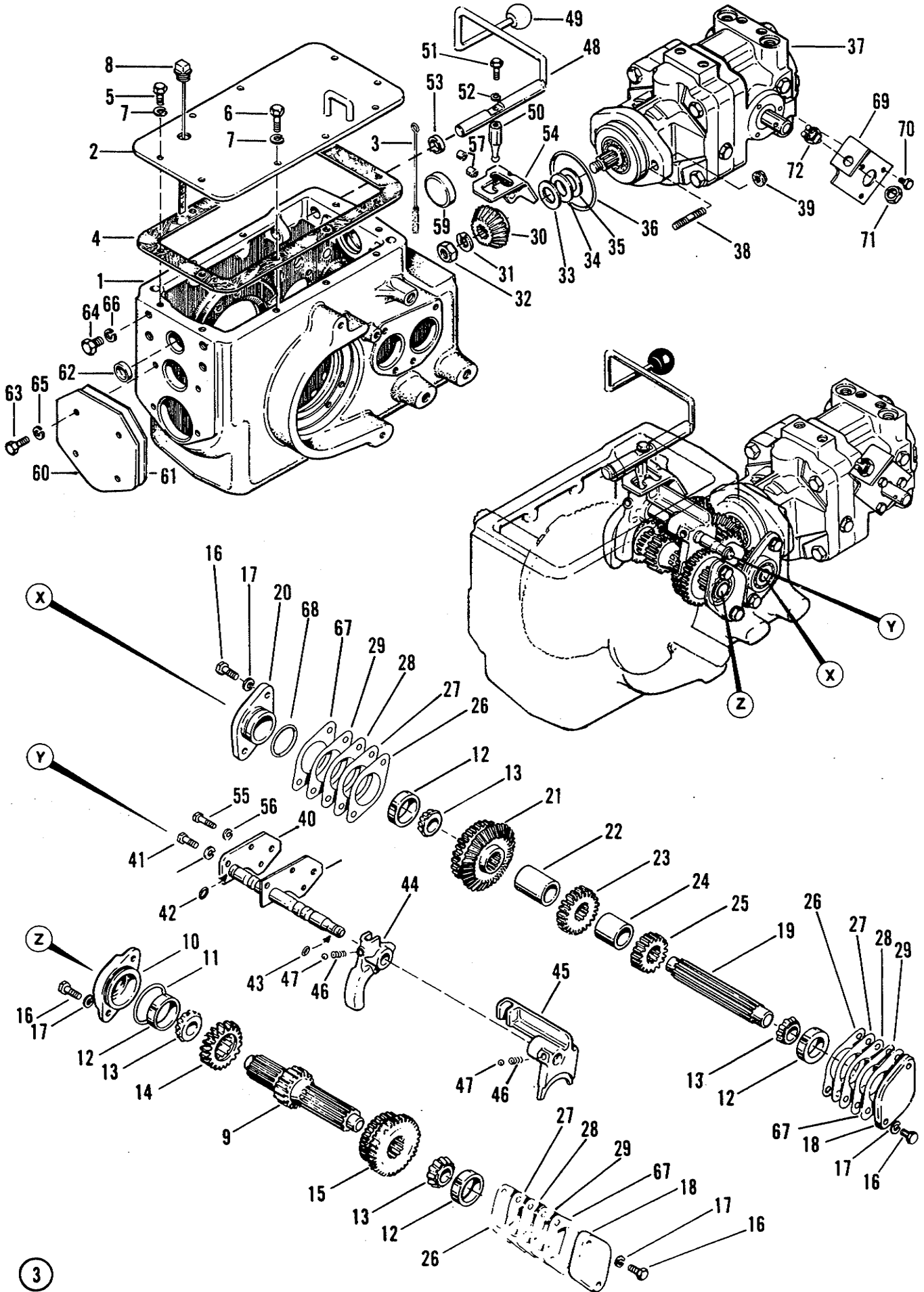
*All parts listing in this catalog apply to Mfg. No's. 920, 953
and 954 tractors except where noted.

ELECTRICAL SYSTEM - PAGE 29 & 30

DECALS



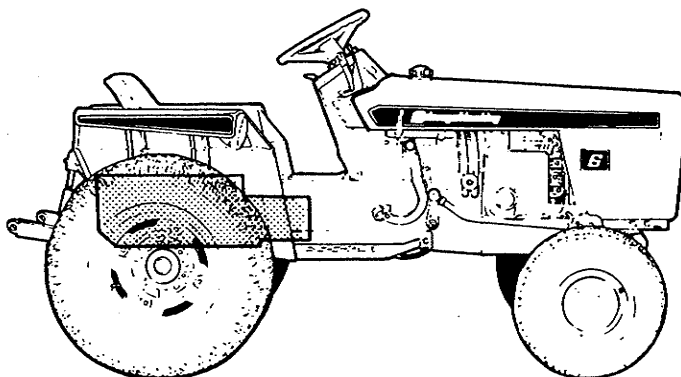
NOT ILLUSTRATED
176677 I.D. PLATE (990920)
177273 I.D. PLATE (990953)
177274 I.D. PLATE (990954)

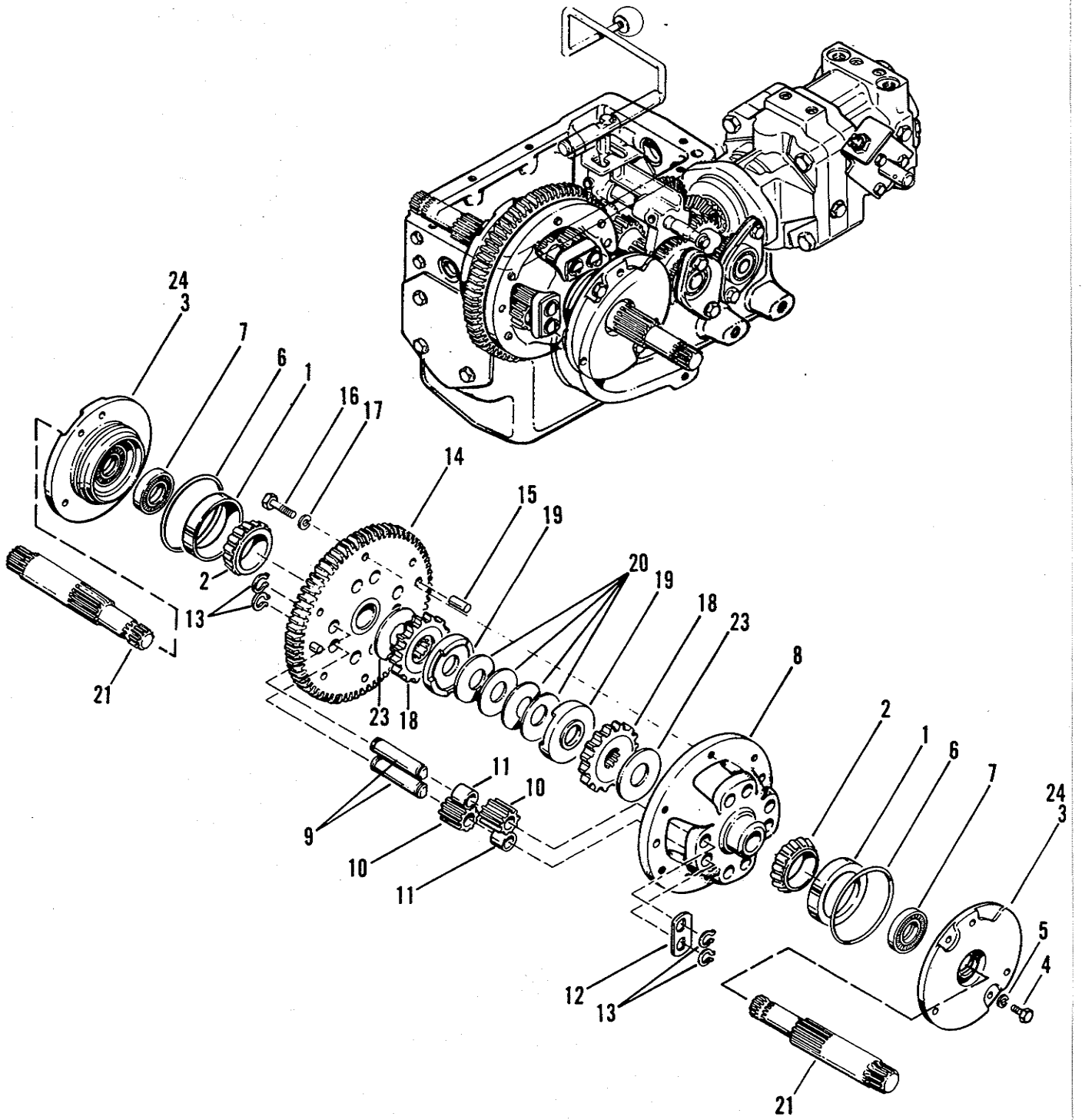


TRANSMISSION

Ref. No.	Part No.	Qty. Req.	Description
1	176600	1	Differential Case
2	174792	1	Cover Assembly
3	173473	1	Brush
4	170831	1	Gasket
5	705004	3	Hex Capscrew, 3/8"-16 x 3/4" lg.
6	705005	6	Hex Capscrew, 3/8"-16 x 1" lg.
7	720002	9	Lockwasher, 3/8"
8	175835	1	Dip Stick Assembly
9	172857	1	Sliding Gear Shaft
10	170774	1	Bearing Cap
11	170838	1	"O" Ring
12	154393	4	Bearing Cup
13	154486	4	Bearing Cone
14	172855	1	Gear, 20 T
15	172862	1	Lo and 2nd Gear
16	705031	8	Hex Capscrew, 3/8"-16 x 7/8" lg.
17	720002	6	Lockwasher, 3/8"
18	170773	2	Bearing Cap
19	170823	1	Input Shaft
20	174555	1	Bearing Cap
21	170833	1	Bevel Gear Assembly
22	170811	1	Spacer
23	170825	1	Gear, 23 T
24	170810	1	Spacer
25	170826	1	Gear, 18 T
26	170840	3	Shim, .002
27	170841	3	Shim, .003
28	170842	3	Shim, .005
29	170843	3	Shim, .010
30	170867	1	Bevel Pinion, 24 T
31	172016	1	Washer
32	717016	1	Hex Jam Nut, 1/2"-20
33	170898	3	Shim, .002
34	170899	3	Shim, .003
35	170900	3	Shim, .005
36	172915	1	"O" Ring
37	171189	1	Hydro. Motor w/pump
38	173424	2	Stud
39	718035	2	Whiz Lock Nut

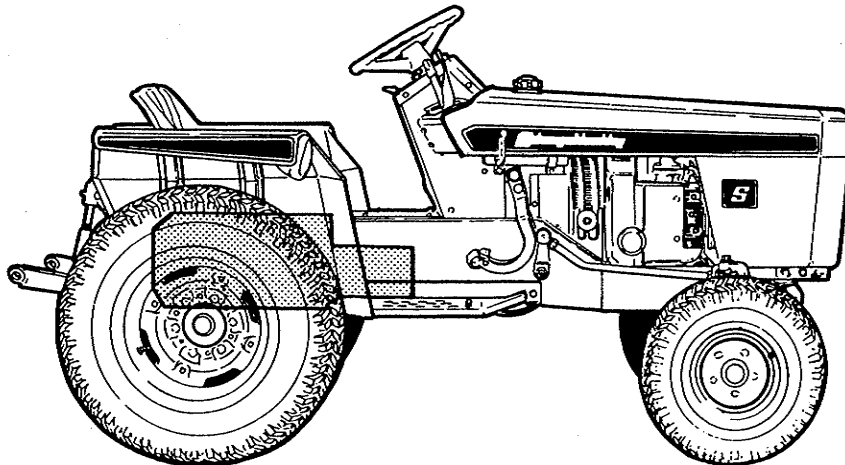
Ref. No.	Part No.	Qty. Req.	Description
40	170809	1	Shift Shaft Assembly
41	705004	2	Hex Capscrew, 3/8"-16 x 3/4" lg.
42	165006	1	"O" Ring
43	170837	1	"O" Ring
44	170776	1	Shift Fork HI
45	170777	1	Shift Fork Lo, 2nd
46	154323	2	Spring
47	154262	2	Ball
48	171310	1	Shifter Shaft Assembly
49	173748	1	Ball
50	170804	1	Shift Stem
51	715121	1	Hex Capscrew, 5/16"-18 x 1" lg.
52	720001	1	Lockwasher, 5/16"
53	157619	1	Seal
54	172107	1	Shift Guide
55	715051	2	Hex Capscrew, 1/4"-20 x 1" lg.
56	172101	2	Seal Washer
57	172656	2	Spacer
58	172106	1	Gasket
59	173205	1	Expansion Plug (Mfg. Nos. 920 & 953)
60	170896	1	Rear Cover (Mfg. Nos. 920 & 953)
61	170897	1	Gasket (Mfg. Nos. 920 & 953)
62	163074	1	Expansion Plug
63	715096	4	Hex Capscrew, 3/8"-16 x 1" lg. (Mfg. Nos. 920 & 953)
64	705040	4	Hex Capscrew, 7/16"-14 x 3/4" lg.
65	720002	4	Lockwasher, 3/8" (Mfg. Nos. 920 & 953)
66	720006	4	Lockwasher, 7/16
67	176803	3	Shim Pack, .030
68	174554	1	"O" Ring
69	176309	1	Mounting Bracket
70	715090	3	Washer Head Screw, 1/4"-20 x 1/2" lg.
71	718067	1	Nut, 9/16"-18
72	176637	1	Switch

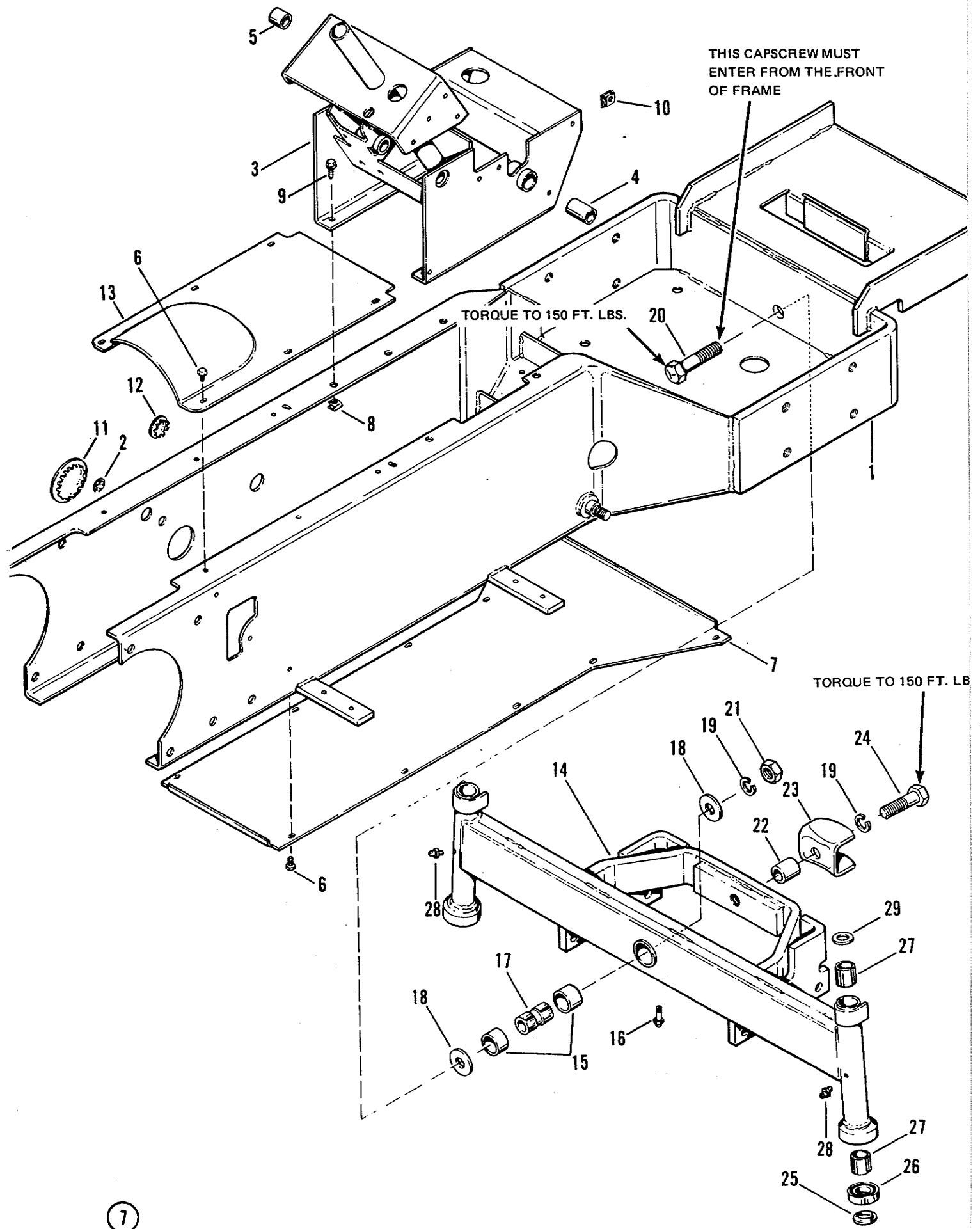




DIFFERENTIAL

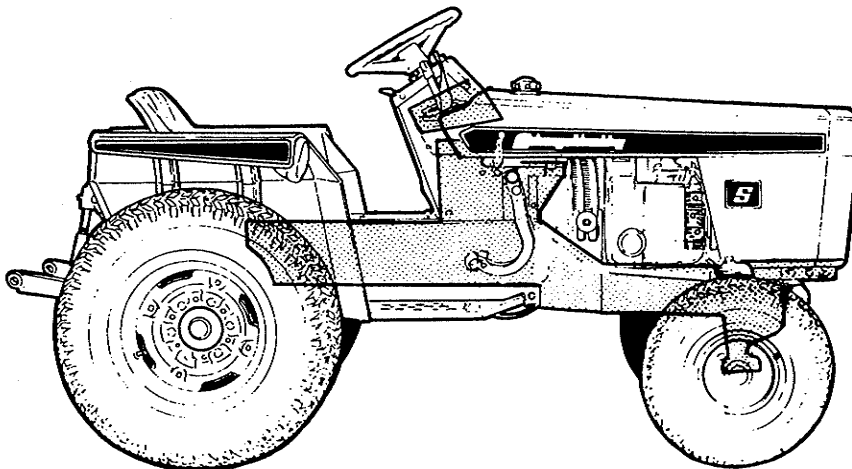
Ref. No.	Part No.	Qty. Req.	Description
1	168007	2	Bearing Cone
2	168008	2	Bearing Cup
3	176644	2	Support Assembly
4	705017	4	Includes Ref. Nos. 7 and 24 Hex Capscrew, 5/16"-18 x 3/4" lg.
5	720001	4	Lock Washer, 5/16"
6	170839	2	"O" Ring
7	168006	2	Brake Seal
8	168009	1	Gear Carrier
9	168010	8	Pinion Shaft
10	168011	8	Pinion Gear
11	168012	8	Spacer
12	168013	4	Locking Plate
13	168014	16	Retaining Ring
14	168015	1	Differential Gear Assy.
15	168005	2	Dowel Pin
16	715042	6	Hex Capscrew, 3/8"-16 x 1-1/4" lg.
17	720002	6	Lock Washer, 3/8"
18	168023	2	Sun Gear
19	168024	2	Differential Clutch
20	168025	4	Spring Washer
21	168027	2	Differential Shaft
22	170924	2	Retaining Ring
23	168028	2	Thrust Washer
24	176579	2	Differential Support

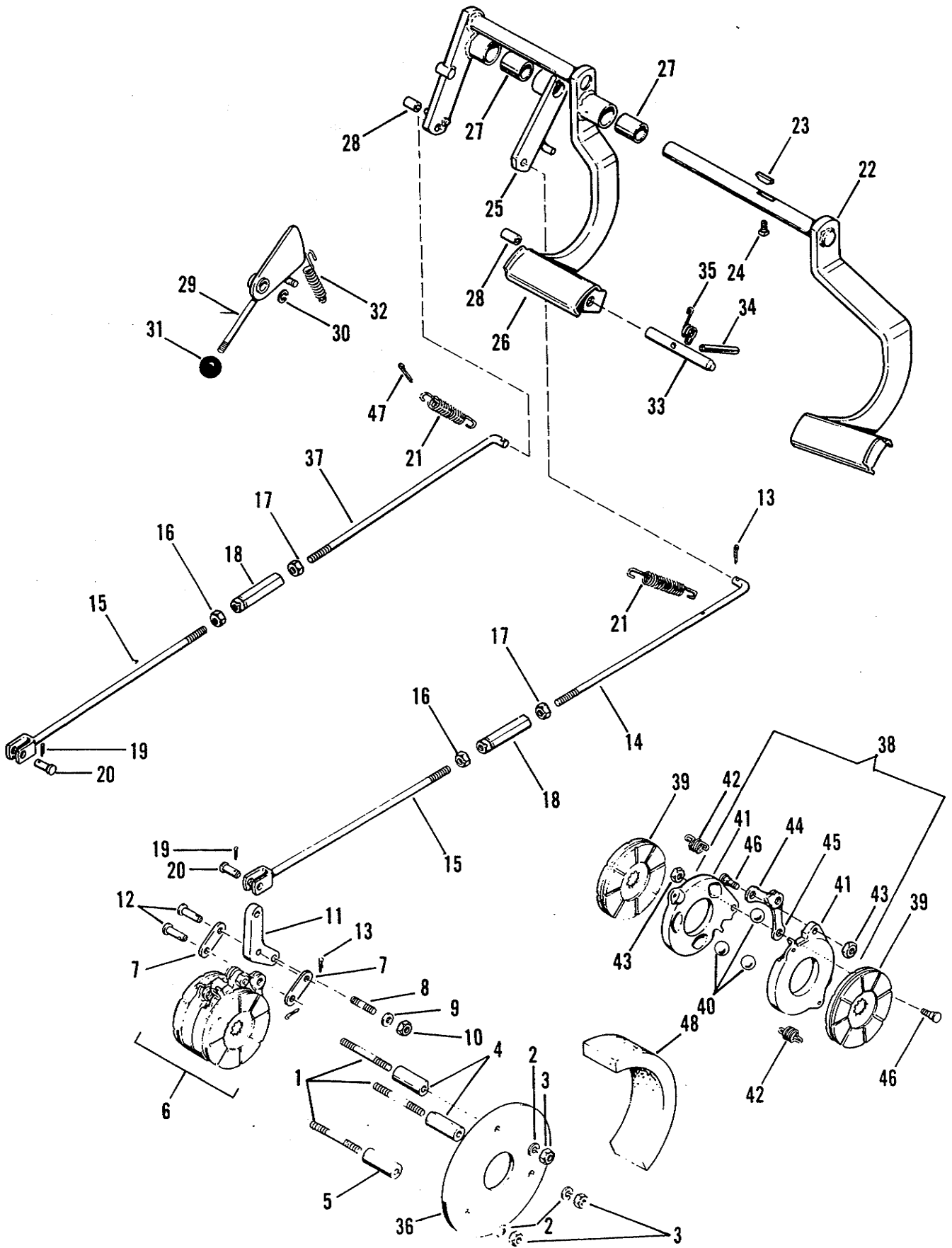




FRAME AND FRONT AXLE

Ref. No.	Part No.	Qty. Req.	Description
1	176593	1	Frame Assembly
2	174277	2	Hole Plug
3	171959	1	Support Assembly
4	168119	1	Bushing
5	168140	1	Sleeve Bearing
6	715124	16	Washer Hd. Taptite Screw, 1/4" -20 x 3/8" lg.
7	172629	1	Bottom Cover
8	718058	4	Clip Nut
9	715142	4	Washer Hd. Screw
10	718061	4	Speed Nut
11	173339	1	Hole Plug
12	173341	1	Hole Plug
13	176540	1	Top Cover
14	168082	1	Axle Assembly
15	119023	2	Bearing
16	172761	1	Grease Fitting
17	168092	1	Axle Spacer
18	168093	2	Thrust Washer
19	720005	2	Lock Washer, 5/8"
20	715135	1	Hex Capscrew, 5/8" -11 x 3 - 1/2" lg.
21	717004	1	Hex Nut, Full, 5/8" -11
22	173045	1	Bushing
23	171511	1	Clevis
24	715113	1	Bolt, 5/8" -11 x 2 -1/4" lg.
25	168101	2	Bearing Spacer
26	168102	2	Thrust Bearing
27	168103	4	Spindle Bushing
28	727001	2	Grease Fitting
29	159168	2	Thrust Washer

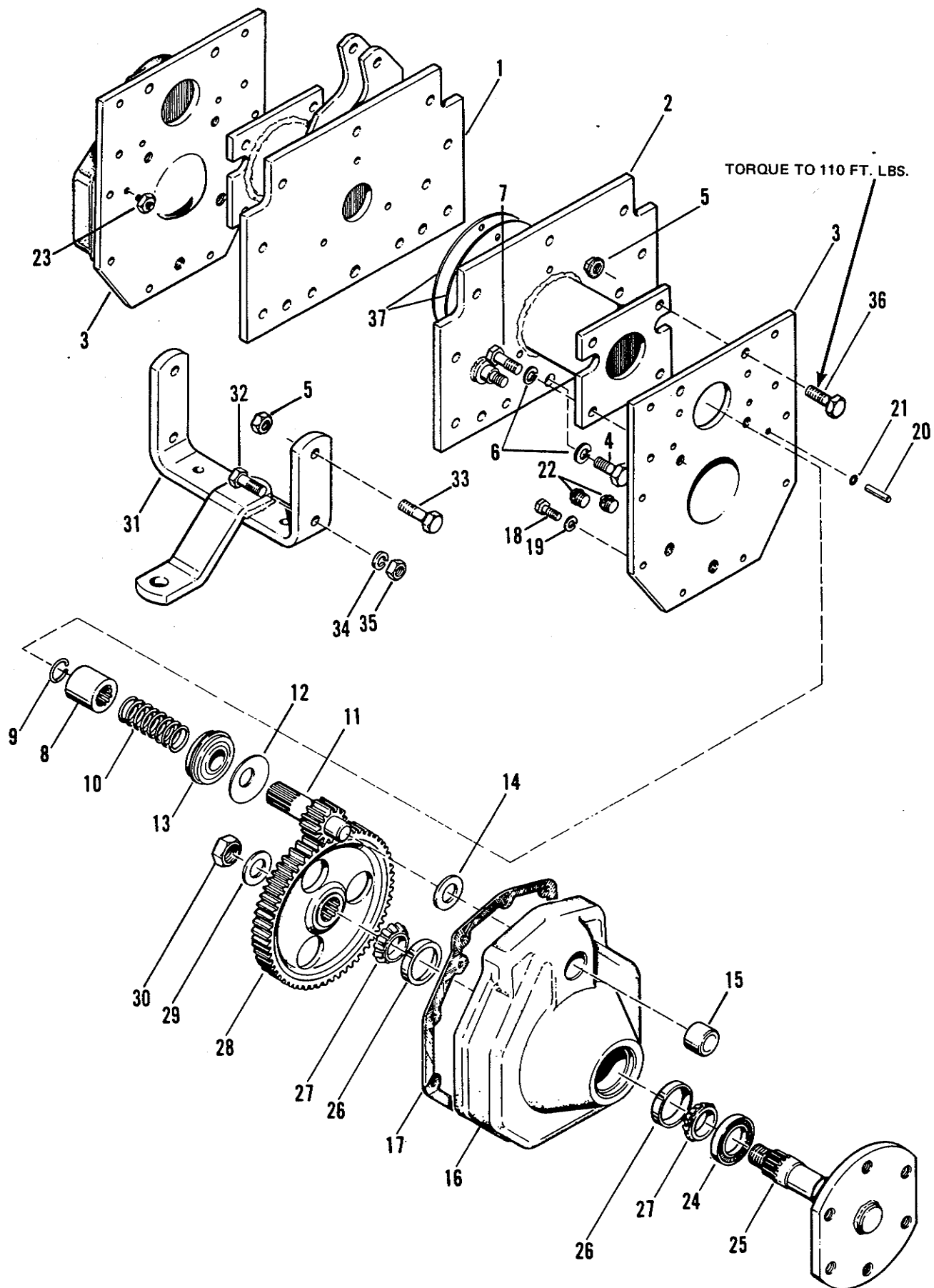




BRAKES

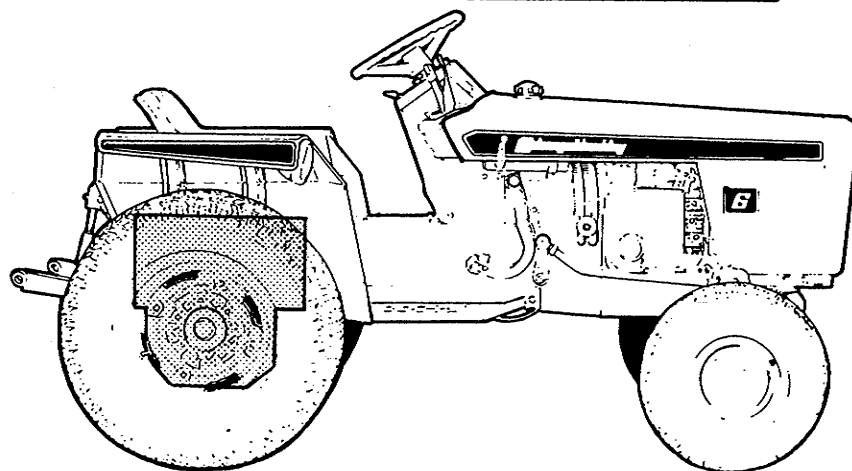
Ref. No.	Part No.	Qty. Req.	Description
1	170806	6	Stud
2	720002	6	Lock Washer, 3/8"
3	717003	6	Hex Nut, 3/8"-16
4	170814	4	Spacer
5	170813	2	Spacer
6	168063	2	Brake Assembly
7	170802	4	Link Plate
8	170803	2	Stud
9	719002	2	Plain Washer, 5/16"
10	717524	2	Hex Nut, Full, Lock, 3/8"-16
11	170816	2	Brake Lever
12	108158	4	Pin
13	722001	5	Cotter Pin, 3/32" x 3/4" lg.
14	172864	1	Front Brake Rod R.H.
15	172900	2	Rear Brake Rod Assy.
16	717014	2	Hex Nut, Jam, 3/8"-24 R.H.
17	717034	2	Hex Nut, Jam, 3/8"-24 L.H.
18	164072	2	Turnbuckle
19	722001	2	Cotter Pin
20	108158	2	Pin
21	156302	2	Spring
22	168112	1	Brake Lever Assembly, R.H.
23	173272	1	Key

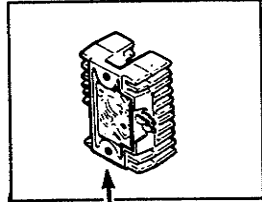
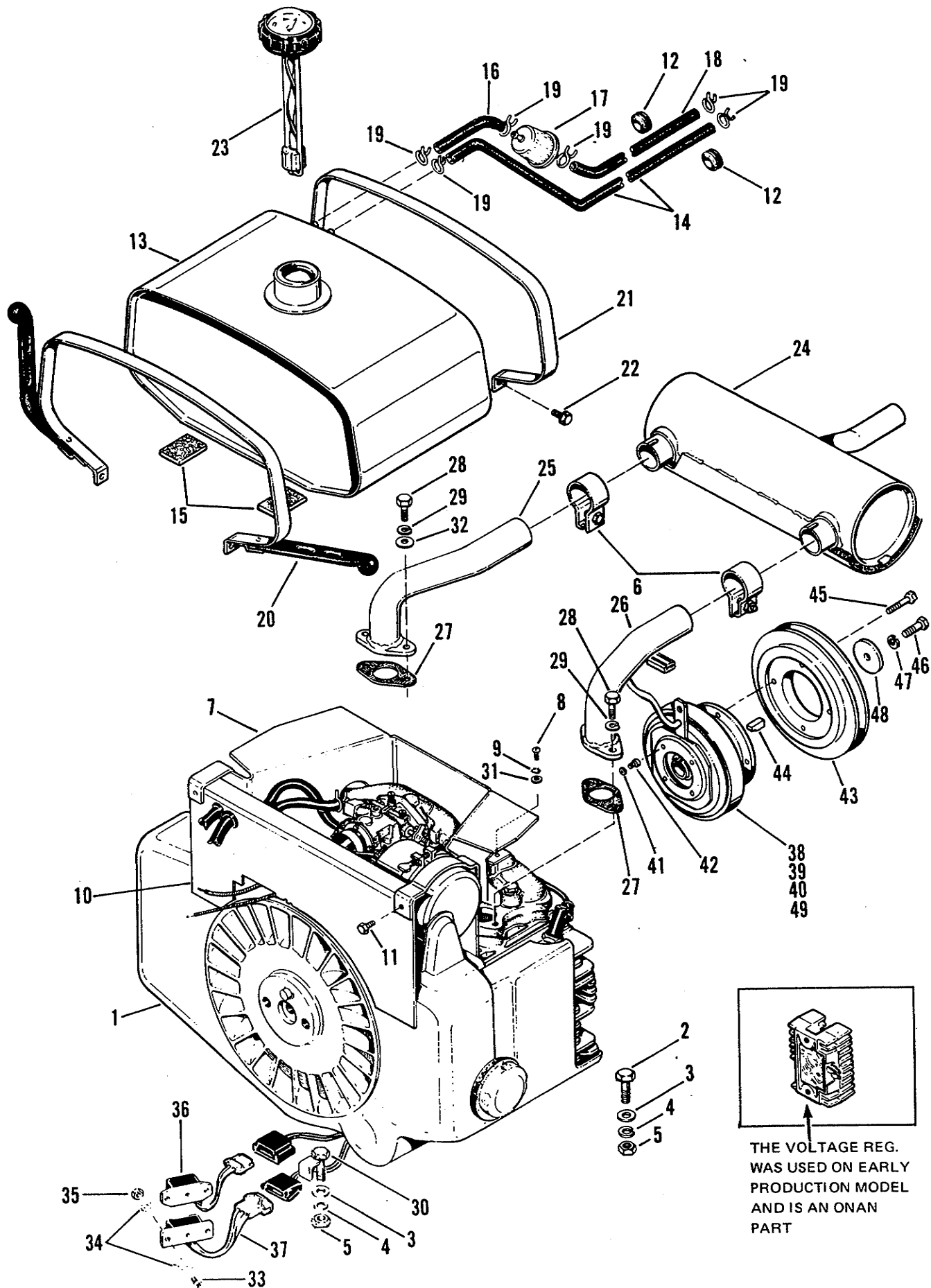
Ref. No.	Part No.	Qty. Req.	Description
24	713002	2	Set Screw, 5/16"-18x3/8" lg.
25	168126	1	Brake Rod Anchor Assy.
26	168116	1	Brake Lever Assy., L.H.
27	168119	2	Bearing Sleeve
28	173417	2	Stop
29	175218	1	Cam Assembly
30	158399	1	Retaining Ring
31	122005	1	Knob
32	173761	1	Spring
33	173442	1	Pedal Lock Pin
34	723023	1	Roll Pin
35	173755	1	Spring
36	171562	2	Shim Plate
37	173955	1	Front Brake Rod L.H.
38	174669	2	Actuating Disc Assy.
39	174668	4	Middle Disc Assembly
40	174670	8	Ball
41	174671	4	Actuating Disc.
42	174672	4	Spring
43	174673	4	Hex Nut, Jam
44	174674	2	Link Assembly (Yoke)
45	174675	2	Actuating Link
46	174676	4	Stud
47	722015	1	Cotter Pin, 5/32" x 1" lg.
48	176528	2	Pad



DROP HOUSING

Ref. No.	Part No.	Qty. Req.	Description
1	176608	1	Axle Extension, L.H.
2	176609	1	Axle Extension, R.H.
3	168048	2	Housing Plate
4	715100	10	Hex Capscrew, 1/2"-13 x 1-1/2" lg.
5	718063	6	Hex Nut, Lock
6	720004	14	Lock Washer, 1/2"
7	715138	4	Hex Capscrew, 1/2"-13 x 1" lg.
8	168050	2	Axle Couple
9	168051	2	Retaining Ring
10	172498	2	Spring
11	168053	2	Bull Pinion
12	173418	2	Slinger
13	168054	2	Rear Axle Bearing
14	168055	2	Thrust Washer
15	168056	2	Roller Bearing
16	176177	2	Drop Housing
17	168057	2	Gasket
18	715096	16	Hex Capscrew
19	720002	16	Lock Washer, 3/8"
20	723007	4	Roll Pin
21	170837	4	"O" Ring
22	726003	4	Pipe Plug
23	172899	2	Relief Valve
24	175601	2	Oil Seal
25	175596	2	Rear Axle Assembly
26	173194	4	Bearing Cup
27	173195	4	Bearing Cone
28	175599	2	Bull Gear
29	105083	2	Plain Washer
30	717538	2	Lock Nut
31	168321	1	Drawbar
32	715100	2	Hex Capscrew, 1/2"-13 x 1-1/2" lg.
33	715166	2	Hex Capscrew, 1/2"-13 x 1-3/4" lg.
34	720004	2	Lock Washer, 1/2"
35	717006	2	Hex Nut, 1/2"-13
36	715144	4	Hex Capscrew, 1/2"-13 x 1-1/2" lg.
37	171562	2	Shim Plate (not illustrated)





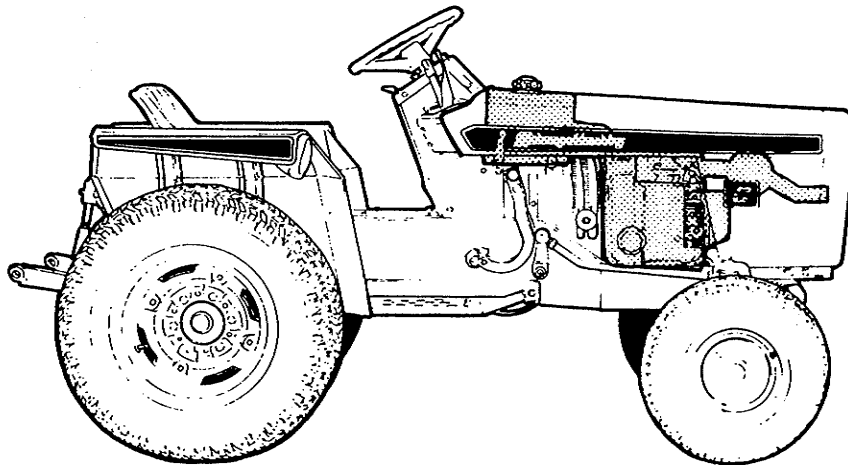
THE VOLTAGE REG.
 WAS USED ON EARLY
 PRODUCTION MODEL
 AND IS AN ONAN
 PART

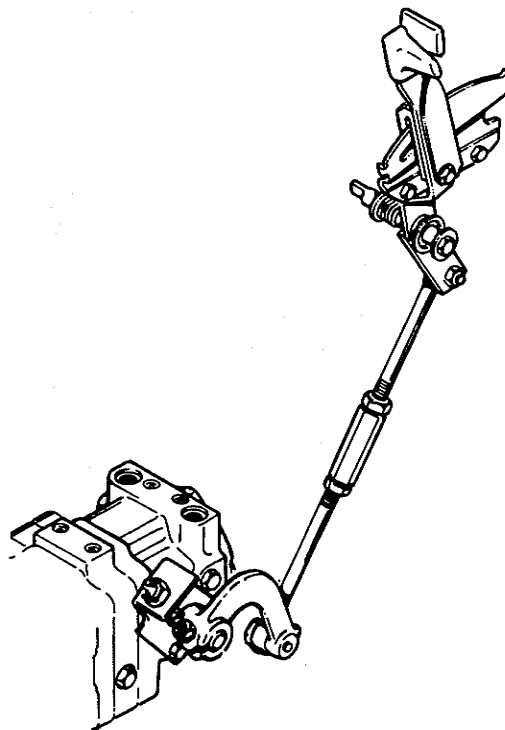
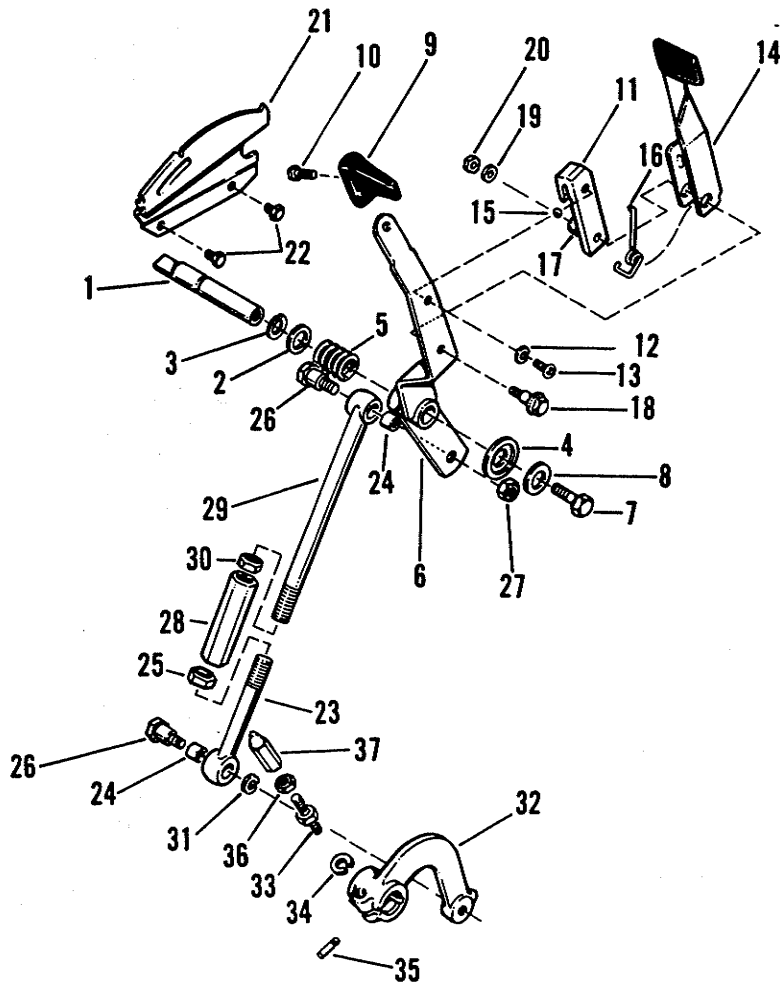
ENGINE & FUEL SYSTEM

Ref. No.	Part No.	Qty. Req.	Description
1		1	Engine, 19.5 H.P.
2	705039	4	Hex Capscrew, 7/16"-14 x 1-1/2" lg.
3	719003	4	Plain Washer, 7/16"
4	720006	4	Lockwasher, 7/16"
5	717022	4	Full Hex Nut, 7/16"-14
6	172061	2	Clamp
7	176374	1	Heat Shield Assembly
8	710004	1	Round Head Screw, No. 10-32 x 3/8" lg.
9	721507	1	Lockwasher, No. 10
10	176602	1	Front Shroud
11	715090	3	Self-Tapping Screw, 1/4"-20 x 1/2" lg.
12	172176	2	Grommet
13	176537	1	Fuel Tank Assembly
14	176645	1	Fuel Line, Return
15	106582	4	Felt Gasket
16	176704	1	Fuel Line
17	176556	1	Fuel Filter
18	173011	1	Fuel Line
19	154372	6	Clamp
20	171333	1	Tank Strap Assy., Rear
21	168271	1	Tank Strap, Front
22	715128	4	Thread Forming Screw, 1/4-20 x 1" lg.
23	170730	1	Fuel Gauge (Cap)
24	176336	1	Muffler
25	176378	1	Exhaust Pipe Assy., L.H.
26	176379	1	Exhaust Pipe Assy., R.H.

Ref. No.	Part No.	Qty. Req.	Description
27	176382	2	Gasket
28	715046	4	Hex Capscrew, 5/16"-18 x 1-1/4" lg.
29	720001	4	Lockwasher, 5/16"
30	176570	1	Capscrew Assembly
31	719008	1	Plain Washer, No. 10
32	719002	1	Plain Washer, 5/16"
33	711003	4	Truss Hd. Phillips Screw, No. 10-32 x 1/2" lg.
34	721003	8	Lockwasher, Shakeproof No. 10
35	717007	4	Hex Nut, No. 10-32
36	177481	1	Regulator
37	177482	1	Rectifier
38	176897	1	Electric Clutch
39	173479	1	Field Assembly (For Service Only)
40	173480	1	Armature Assembly (For Service Only)
41	721507	4	Lockwasher, No. 10
42	715140	4	Socket Head Screw, No. 10-32 x 1/2" lg.
43	172657	1	Pulley
44	172907	1	Key
45	715131	4	Self-Tapping Screw, 5/16"-18 x 1-1/2" lg.
46	715004	1	Hex Capscrew, 3/8"-21 x 1" lg.
47	720002	1	Lockwasher, 3/8"
48	172908	1	Washer
49	177960	1	Bearing (For Service Only)
50*	717012	1	Hex Jam Nut, 1/4"-20
51*	721502	1	Lockwasher, 1/4"

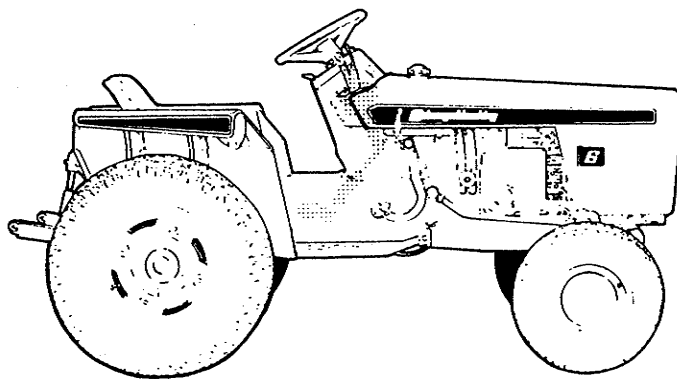
*Not Shown

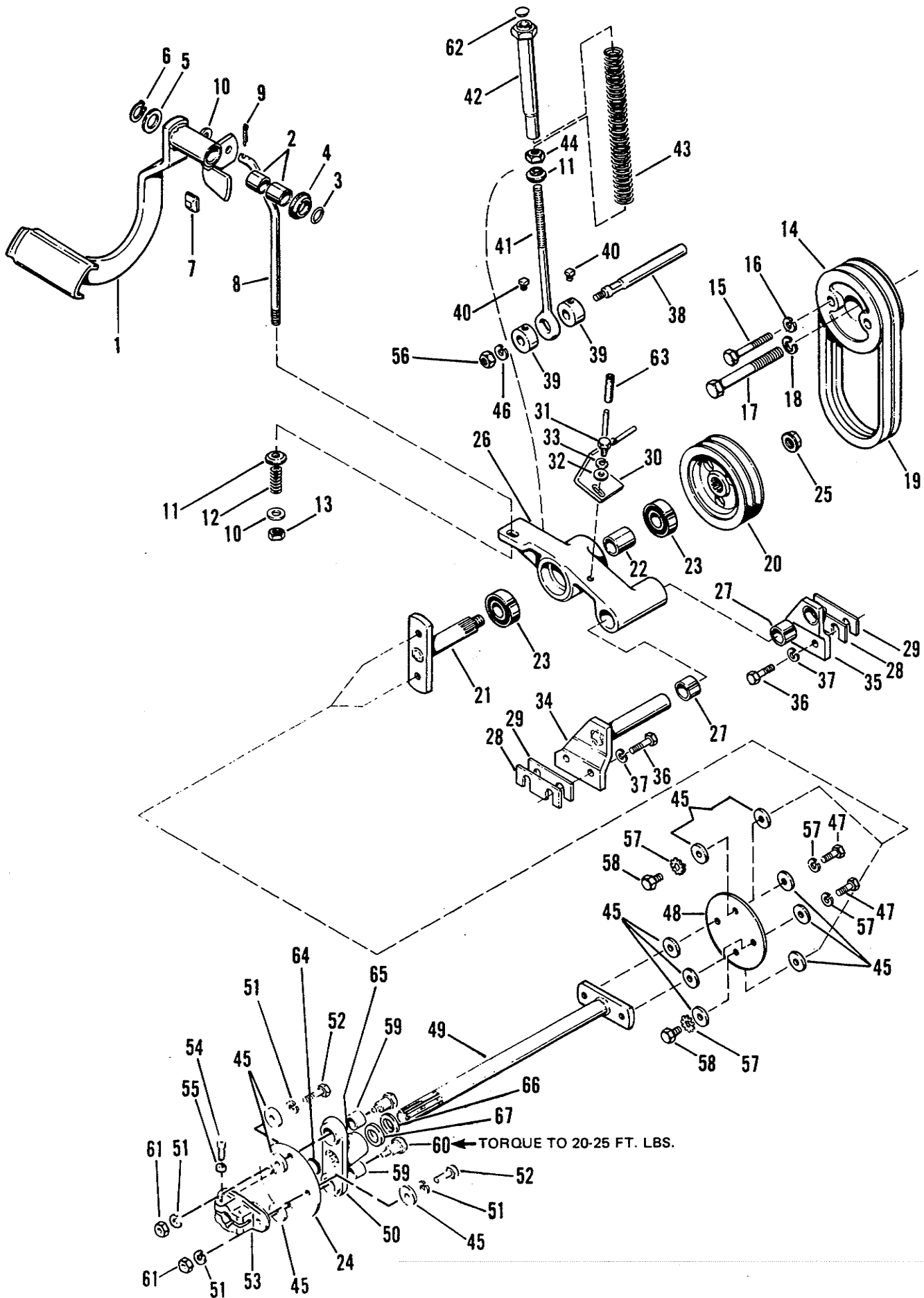




SPEED CONTROL

Ref. No.	Part No.	Qty. Req.	Description
1	172167	1	Pivot Shaft
2	156085	1	Washer
3	173515	1	Retaining Ring
4	173293	1	Washer
5	173307	1	Spring
6	172393	1	Lever Assembly
7	715150	1	Hex Capscrew, 3/8" -16 x 1 -1/4" lg.
8	157424	1	Washer
9	171165	1	Knob
10	715085	1	Thread Forming Screw, 1/4" -20 x 3/4" lg.
11	171432	1	Stop Clamp
12	720003	1	Lock Washer, 1/4"
13	711002	1	Phillips Screw 1/4" -20 x 1/2" lg.
14	172399	1	Handle
15	166178	1	Ball
16	166047	1	Spring
17	166063	2	Spacer
18	166051	1	Shoulder Bolt
19	719006	1	Plain Washer, 1/4"
20	717513	1	Hex Nut, Lock, 1/4" -20
21	172400	1	Quadrant
22	715067	2	Taptite Screw, 1/4" - 20 x 3/8" lg.
23	172406	1	Eye Bolt
24	172949	2	Bushing
25	717016	1	Hex Nut, Jam, 1/2" -20
26	108412	2	Shoulder Bolt
27	717510	1	Hex Nut Full Lock, 3/8" - 16
28	172402	1	Turnbuckle
29	172407	1	Eye Bolt
30	717032	1	Hex Jam Nut, L. H. 1/2" -20
31	721503	1	Washer
32	176629	1	Lever
33	106771	1	Stud
34	720002	1	Lock Washer, 3/8"
35	173302	1	Pin
36	718066	1	Nut, 3/8" - 16
37	176308	1	Detent

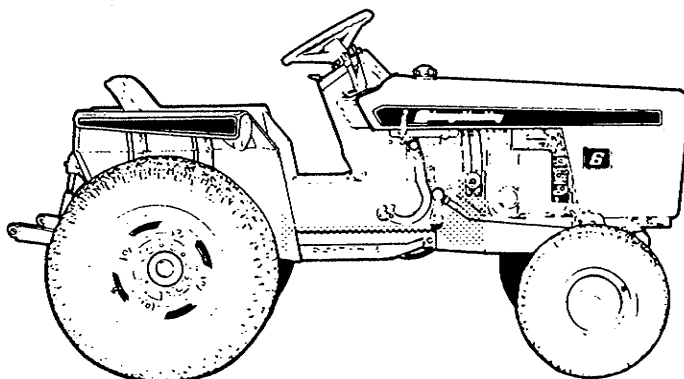


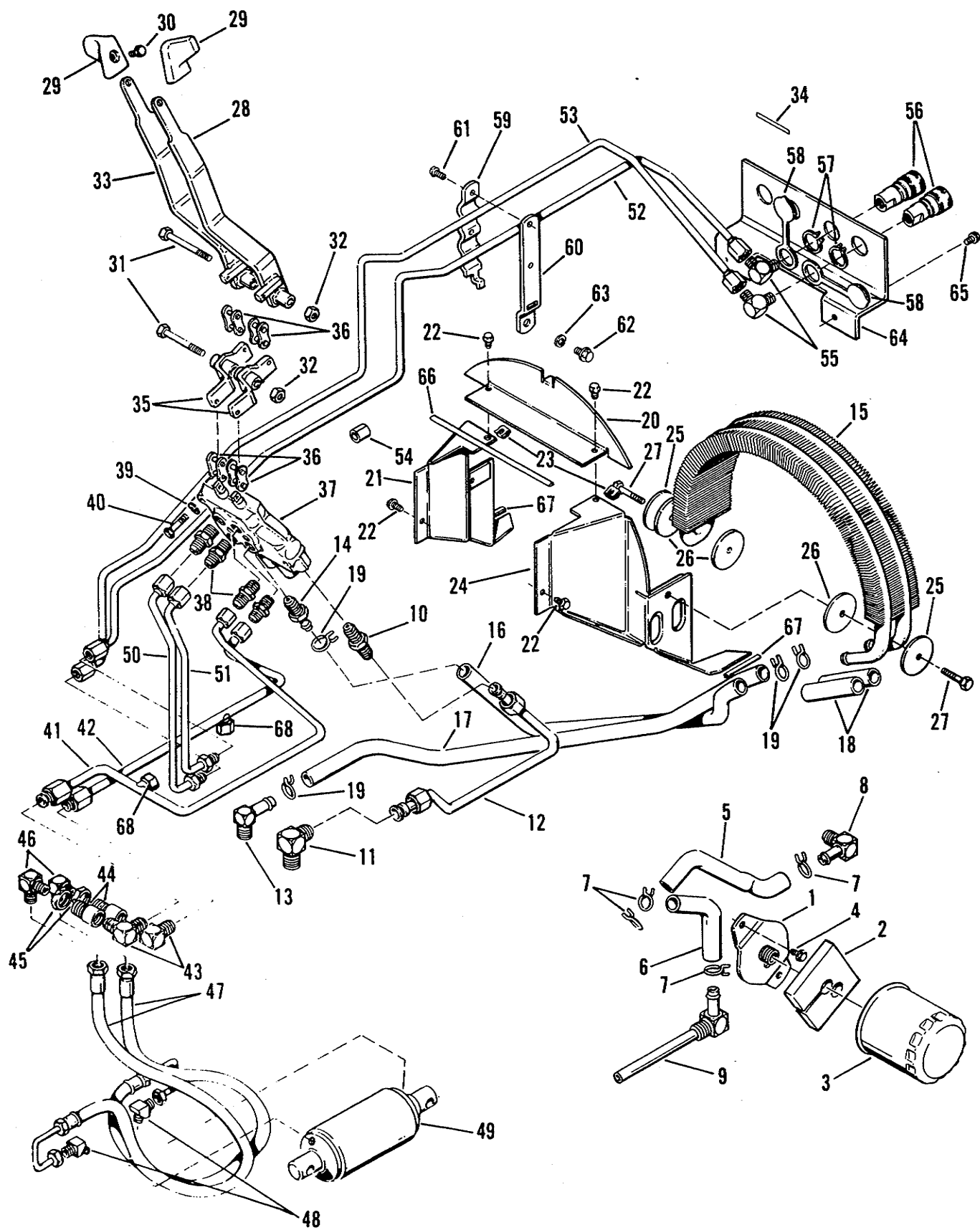


MAIN DRIVE

Ref. No.	Part No.	Qty. Req.	Description
1	168122	1	Lever Assembly
2	168140	2	Bearing Sleeve
3	118134	1	Retaining Ring
4	154462	1	Washer
5	101022	1	Washer
6	168152	1	Retaining Ring
7	171005	1	Bumper
8	171006	1	Clutch Rod
9	722001	1	Cotter Pin
10	719001	2	Plain Washer, 3/8"
11	171007	2	Clutch Spacer
12	172868	1	Spring
13	717510	1	Hex Nut, Lock, 3/8"-16
14	172541	1	Input Pulley
15	715072	2	Hex Capscrew, 3/8"-16 x 2-3/4" lg.
16	720002	2	Lock Washer, 3/8"
17	715058	1	Hex Capscrew, 7/16"-14 x 4-1/2" lg.
18	720006	1	Lock Washer, 7/16"
19	170921	1	Matched "V" Belts
20	176216	1	Input Pulley
21	176217	1	Shaft Assembly
22	176221	1	Spacer
23	108202	2	Bearing
24	175230	1	Coupling
25	172887	1	Washer Base Lock Nut
26	176222	1	Pivot Arm
27	154289	2	Bearing Sleeve
28	173042	3	Shim
29	173043	3	Shim
30	173760	1	Belt Stop
31	705017	1	Hex Capscrew, 5/16"-18 x 3/4" lg.
32	719002	1	Plain Washer
33	720001	1	Lock Washer

Ref. No.	Part No.	Qty. Req.	Description
34	170932	1	Support Assembly
35	172975	1	Support Assembly
36	705016	4	Hex Capscrew, 3/8"-16 x 1-1/4" lg.
37	720002	4	Lock Washer, 3/8"
38	170958	1	Pivot Shaft
39	8301042	2	Set Collar
40	713503	2	Set Screw, 5/16"-18x5/16" lg.
41	170959	1	Eyebolt
42	176460	1	Tube Assembly
43	171011	1	Spring
44	717013	2	Hex Nut, Jam, 3/8"-16
45	157424	12	Special Washer
46	720002	1	Lock Washer, 3/8"
47	705004	2	Hex Capscrew, 3/8"-16 x 7/8" lg.
48	173026	1	Coupling
49	176209	1	Drive Shaft Assembly
50	175229	1	Yoke
51	720002	4	Lock Washer, 3/8"
52	705005	2	Hex Capscrew, 3/8"-16 x 1" lg.
53	176223	1	Clamp Yoke
54	715187	2	Socket Hd. Screw, 5/16"-18 x 1-1/4" lg.
55	720001	2	Lock Washer, 5/16"
56	717003	1	Hex Nut, Full, 3/8"-16
57	721004	4	Shake Proof Lock Washer, 3/8"
58	705004	2	Hex Capscrew, 3/8"-16 x 7/8" lg.
59	177943	2	Bushing
60	108412	2	Shoulder Bolt
61	717013	2	Jam Nut
62	177777	1	Hole Plug
63	173010	1	Fuel Line
64	177134	1	Plug
65	727002	1	Grease Fitting
66	172266	1	Washer
67	177141	1	Felt Washer

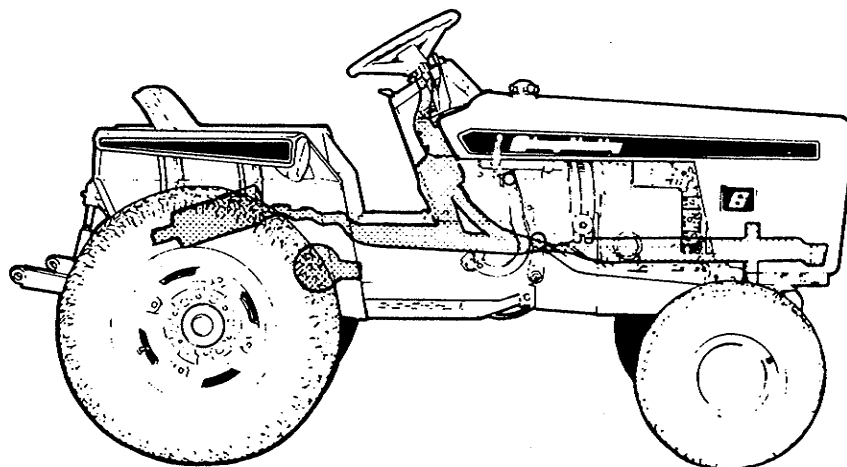


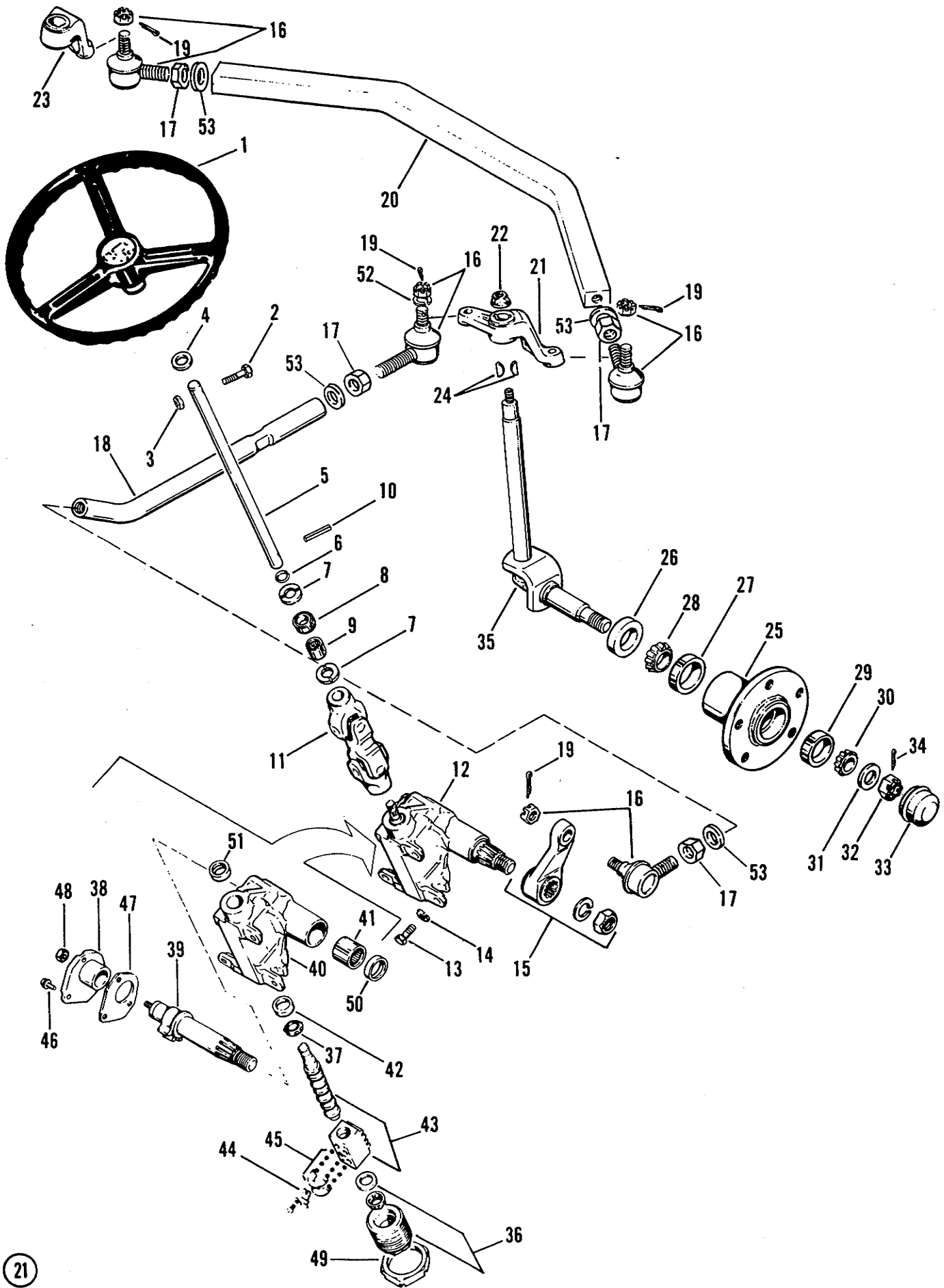


HYDRAULIC SYSTEM

Ref. No.	Part No.	Qty. Req.	Description
1	171842	1	Filter Plate Assembly
2	173120	1	Pad
3	171439	1	Oil Filter
4	715083	2	Hex Capscrew, 5/16"-18 x 1/2" lg.
5	175119	1	Hydraulic Hose
6	171454	1	Hydraulic Hose
7	171457	4	Hose Clamp
8	174627	1	Elbow Assembly
9	174628	1	Elbow
10	171460	1	Male Connector
11	171461	1	Elbow
12	172838	1	Tube Assembly
13	173051	1	Elbow
14	171465	1	Hose Connector
15	172116	1	Oil Cooler
16	172322	1	Hydraulic Hose
17	172323	1	Hydraulic Hose
18	173227	2	Hydraulic Hose
19	166044	4	Hose Clamp
20	174474	1	Upper Shroud (Rear)
21	174524	1	Shroud Assembly, Left Hand
22	715067	6	Thread Forming Screw, 1/4"-20 x 3/8" lg.
23	718057	2	Speed Nut
24	174476	1	Shroud Assembly, Right Hand
25	166150	2	Washer
26	172757	3	Washer
27	715158	2	Thread Forming Screw, 1/4"-20 x 1-1/2" lg.
28	171105	1	Lever Assembly
29	171165	2	Knob
30	715085	2	Thread Forming Screw, 1/4"-20 x 3/4" lg.
31	705028	2	Hex Capscrew, 3/8"-16 x 2-3/4" lg.
32	717524	2	Hex Jam Nut, 3/8"-16
33	175153	1	Lever Assy. (Mfg. Nos. 953 & 954)
34	173811	1	Film "Power Lift" (Mfg. Nos. 953 & 954)
35	171104	2	Bellcrank Assembly
36	171101	4	Connector Link

Ref. No.	Part No.	Qty. Req.	Description
37	173138	1	Hydraulic Valve (Mfg. No. 920)
	171494	1	Hydraulic Valve (Mfg. Nos. 953 & 954)
38	173115	4	Male Connector
39	720003	2	Lockwasher, 1/4"
40	715168	2	Hex Capscrew, 1/4"-20 x 1-3/4" lg.
41	172830	1	Tube Assembly
42	172835	1	Tube Assembly
43	173116	2	Elbow
44	173073	2	Fitting
45	173074	2	Nut
46	173319	2	Elbow
47	172305	2	Hose
48	172320	2	Fitting
49	168279	1	Cylinder
50	172836	1	Tube Assy. (Mfg. Nos. 953 & 954)
51	172837	1	Tube Assy. (Mfg. Nos. 953 & 954)
52	172833	1	Tube Assy. (Mfg. Nos. 953 & 954)
53	172834	1	Tube Assy. (Mfg. Nos. 953 & 954)
54	176574	4	Spacer (Mfg. Nos. 953 & 954)
55	173116	2	Elbow (Mfg. Nos. 953 & 954)
56	173358	2	Body Assy. (Mfg. Nos. 953 & 954)
57	166017	2	Retaining Ring (Mfg. Nos. 953 & 954)
58	173360	2	Plastic Plug (Mfg. Nos. 953 & 954)
59	172766	1	Clamp (Mfg. Nos. 953 & 954)
60	172767	1	Bracket (Mfg. Nos. 953 & 954)
61	715077	1	Taptite Screw, 1/4"-20 x 5/8" lg. (Mfg. Nos. 953 & 954)
62	705011	1	Hex Capscrew, 3/8"-16 x 5/8" lg. (Mfg. Nos. 953 & 954)
63	720002	1	Lockwasher, 3/8" (Mfg. Nos. 953 & 954)
64	172755	1	Mtg. Plate (Mfg. Nos. 953 & 954)
65	715090	2	Washer Hd. Screw, 1/4"-20 x 1/2" lg. (Mfg. Nos. 953 & 954)
66	173118	1	Molding
67	173119	2	Molding
68	173117	2	Cap

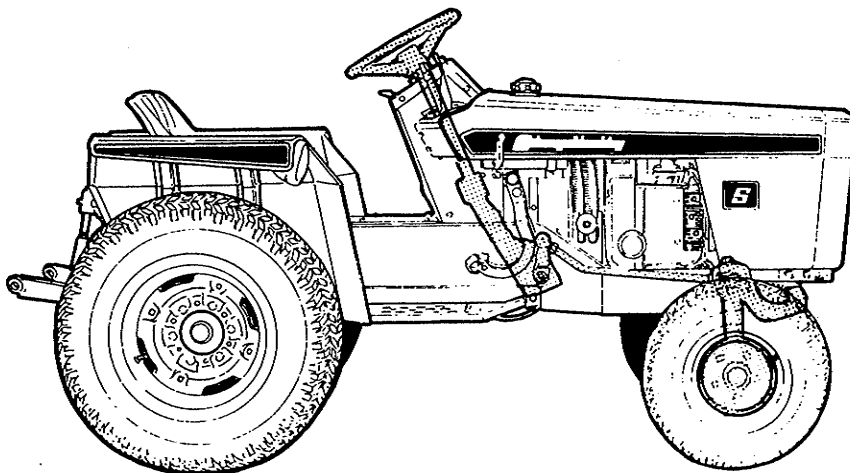


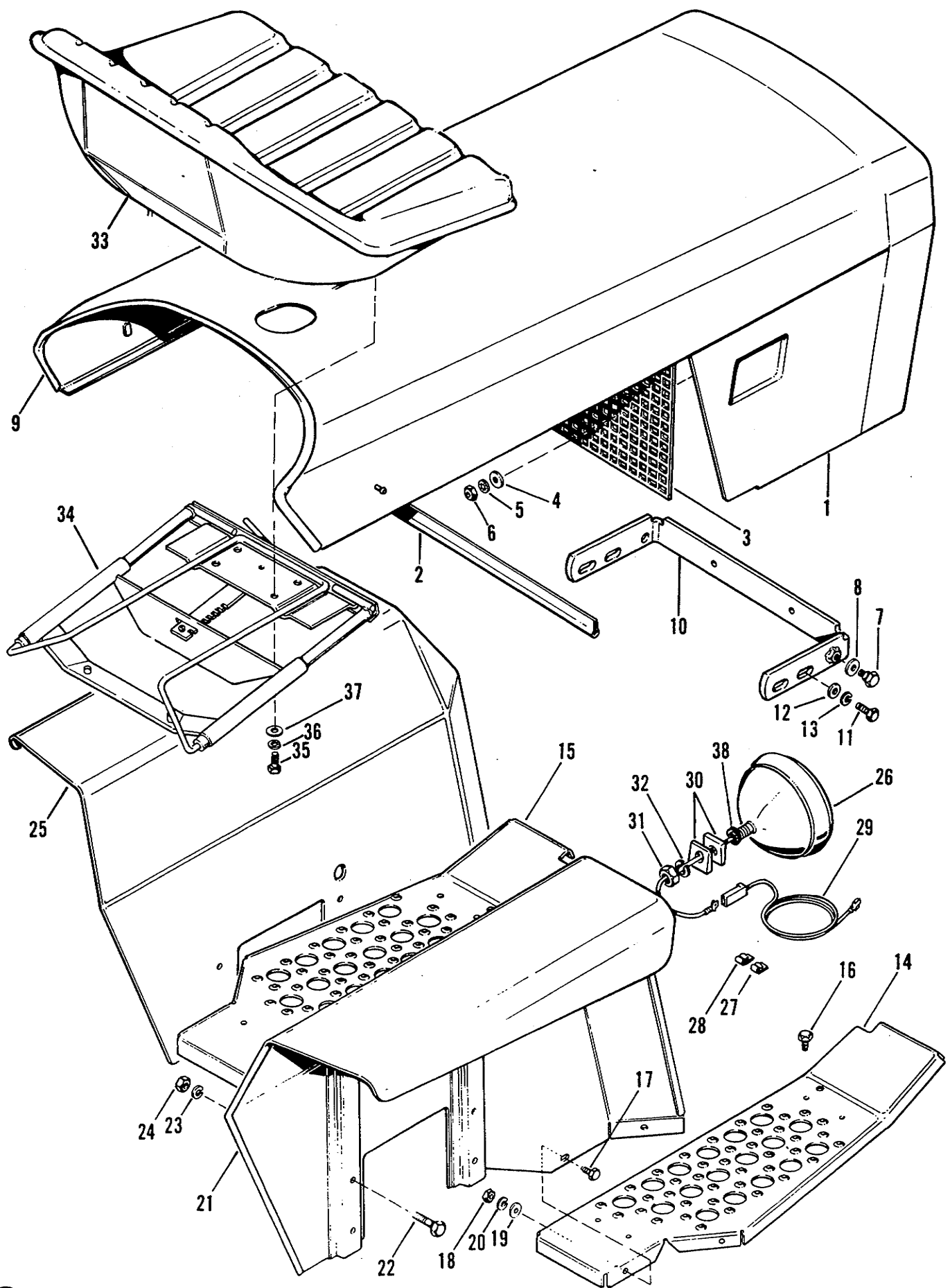


STEERING

Ref. No.	Part No.	Qty. Req.	Description
1	171196	1	Steering Wheel
2	705019	1	Hex Capscrew, 5/16"-18 x 1-1/4" lg.
3	717511	1	Hex Lock Nut, 5/16"-18
4	172266	1	Washer
5	171532	1	Steering Shaft
6	157286	1	Retaining Ring
7	101022	2	Thrust Washer
8	173197	1	Roller Bearing
9	171597	1	Needle Bearing
10	723018	1	Roll Pin, 3/8" x 1-1/4" lg.
11	173500	1	"U" Joint
12	171557	1	Steering Gear Complete
13	715136	3	Hex Capscrew, 7/16"-14 x 1" lg.
14	720006	3	Lockwasher, 7/16"
15	172196	1	Pitman Arm
16	172499	4	Ball Joint
17	172508	4	Hex Jam Nut
18	171509	1	Drag Link
19	722006	4	Cotter Pin
20	173413	1	Tie Rod
21	176813	1	Steering Arm, Right Hand
22	172887	2	Washer Base Lock Nut
23	176815	1	Steering Arm, Left Hand
24	725504	4	Key
25	174868	2	Hub Assy. (Mfg. No. 920) (Incl. Ref. Nos. 26, 27, 28 & 29)
	177740	2	Hub Assy. (Mfg. Nos. 953 & 954) (Incl. Ref. Nos. 26, 27, 28 & 29)
26	168108	2	Seal

Ref. No.	Part No.	Qty. Req.	Description
27	170836	2	Bearing Cup
28	170835	2	Bearing Cone
29	154393	2	Bearing Cup
30	154486	2	Bearing Cone (Mfg. No. 920)
	170835	2	Bearing Cone (Mfg. Nos. 953 & 954)
31	168111	2	Thrust Washer
32	717537	2	Slotted Nut
33	154487	2	Hub Cap (Mfg. No. 920)
	177724	2	Hub Cap (Mfg. Nos. 953 & 954)
34	722018	2	Cotter Pin
35	176814	2	Spindle Assembly (Mfg. No. 920)
	176987	2	Spindle Assembly (Mfg. Nos. 953 & 954)
36	174151	1	Worm Bearing Adj. Assy.
37	174152	1	Worm Bearing Assembly
38	174153	1	Cover Assembly
39	174154	1	Pitman Gear Assembly
40	174155	1	Housing Assembly
41	174156	1	Needle Bearing
42	174157	1	Bearing Thrust Cup
43	174158	1	Worm Assembly
44	174159	1	Ball Return Clamp
45	174160	4	Ball Return Guide
46	174161	3	Hex Bolt
47	174162	1	Gasket
48	174163	1	Hex Nut
49	174164	1	Lock Nut
50	174165	1	Grease Seal
51	174166	1	Seal
52	720004	1	Lockwasher, 1/2"

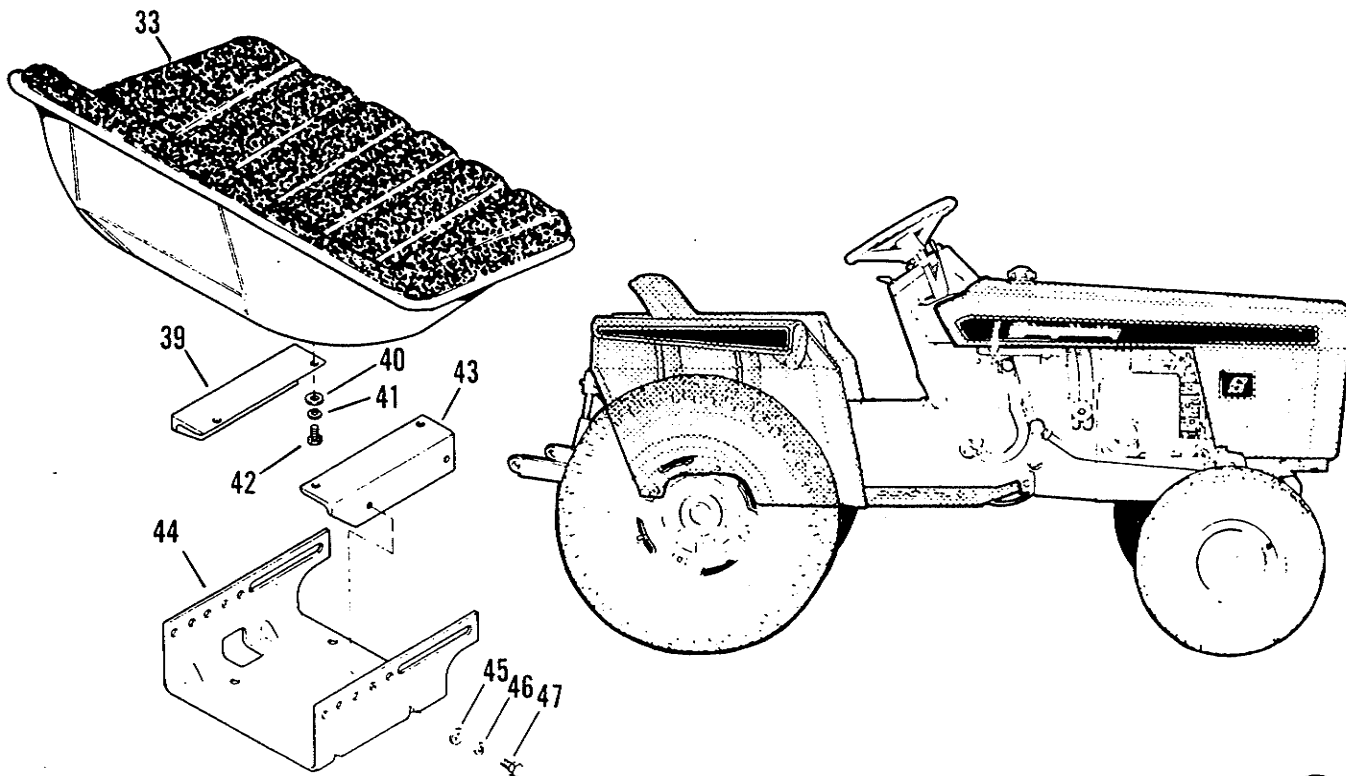


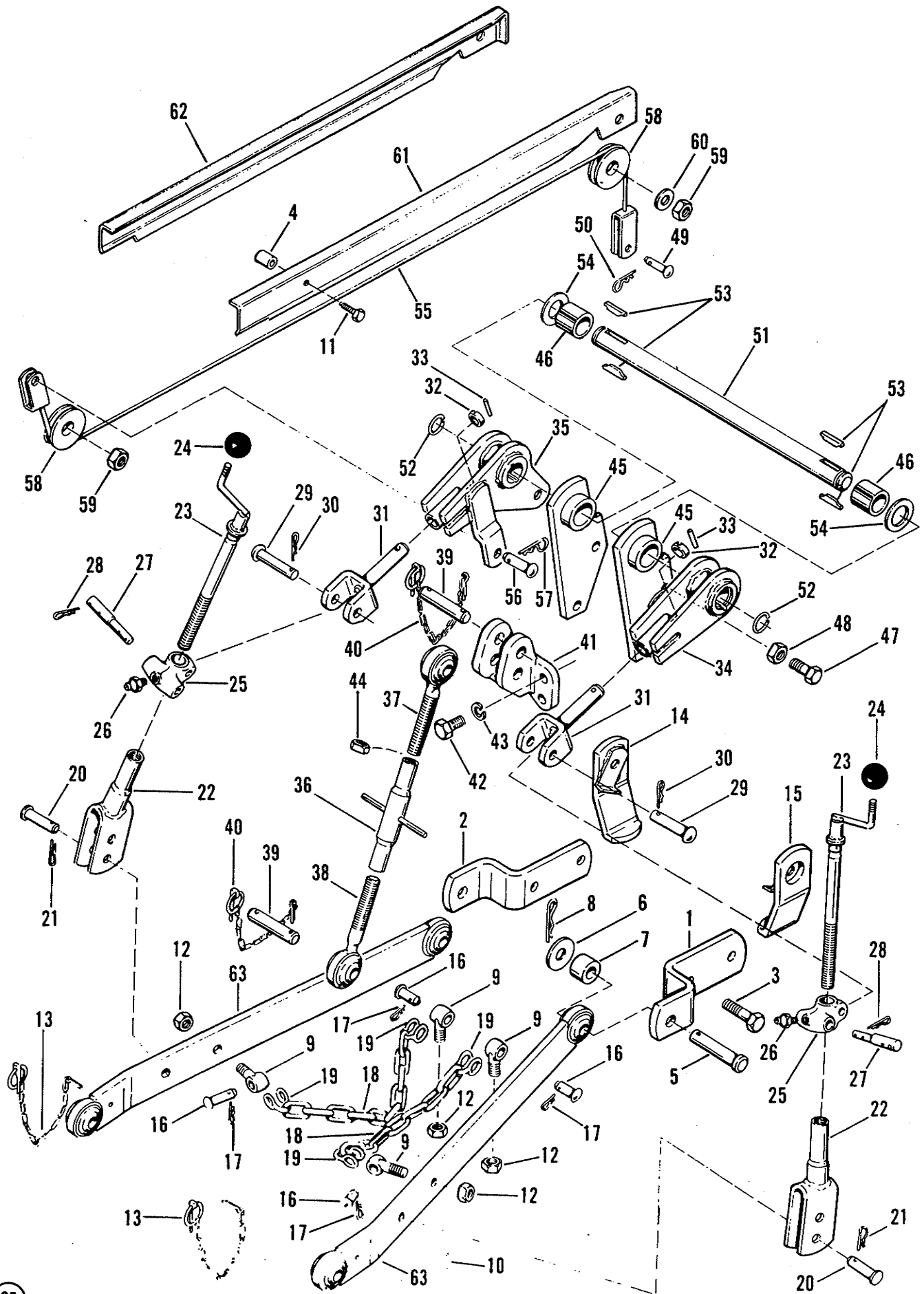


SHEET METAL & SEAT

Ref. No.	Part No.	Qty. Req.	Description
1	176552	1	Hood Assembly
2	176548	1	Seal
3	171738	1	Grille (Mfg. No. 920)
	176758	1	Grille (Mfg. Nos. 953 & 954)
4	172894	4	Washer
5	721003	4	Lockwasher, Shakeproof No. 10
6	717023	4	Hex Nut, No. 10-24
7	108412	2	Shoulder Bolt
8	175234	2	Washer
9	172155	1	Molding
10	175243	1	Hinge
11	705004	4	Hex Capscrew, 3/8"-16 x 3/4" lg.
12	719001	4	Plain Washer, 3/8"
13	720002	4	Lockwasher, 3/8"
14	170457	1	Platform, Right Hand
15	170458	1	Platform, Left Hand
16	715125	8	Thread Forming Screw, 5/16"-18 x 7/8" lg.
17	705012	4	Thread Forming Screw, 5/16"-18 x 5/8" lg.
18	717001	4	Hex Nut, 5/16"-18
19	719006	4	Plain Washer, 1/4"
20	720001	4	Lockwasher, 5/16"
21	170431	1	Wheel Guard Assy., R.H.
22	705009	8	Hex Capscrew, 3/8"-16 x 1-1/2" lg.
23	720002	8	Lockwasher, 3/8"
24	717003	8	Hex Nut, 3/8"-16
25	170432	1	Wheel Guard Assy., L.H.
26	170462	2	Lamp

Ref. No.	Part No.	Qty. Req.	Description
27	122159	2	Clip
28	172910	2	Clip
29	172911	2	Wire
30	170461	4	Special Washer
31	717017	2	Hex Nut, 1/2"-13
32	720004	2	Lockwasher, 1/2"
33	171153	1	Seat Assembly
34	177332	1	Seat Adjuster (Mfg. Nos. 953 & 954)
35	705017	4	Hex Capscrew, 5/16"-18 x 3/4" lg.
36	720001	4	Lockwasher, 5/16"
37	719001	4	Plain Washer, 5/16" (Mfg. Nos. 953 & 954)
38	721005	2	Lockwasher, Shakeproof
39	173300	1	Seat Bracket, L.H. (Mfg. No. 920)
40	719002	4	Plain Washer, 5/16" (Mfg. No. 920)
41	720001	4	Lockwasher, 5/16" (Mfg. No. 920)
42	705017	4	Hex Capscrew, 5/16"-18 x 3/4" lg. (Mfg. No. 920)
43	173299	1	Seat Bracket, R.H. (Mfg. No. 920)
44	173298	1	Support (Mfg. No. 920)
45	719001	2	Plain Washer, 3/8" (Mfg. No. 920)
46	720002	4	Lockwasher, 3/8" (Mfg. No. 920)
47	705011	4	Hex Capscrew, 3/8"-16 x 5/8" lg. (Mfg. No. 920)

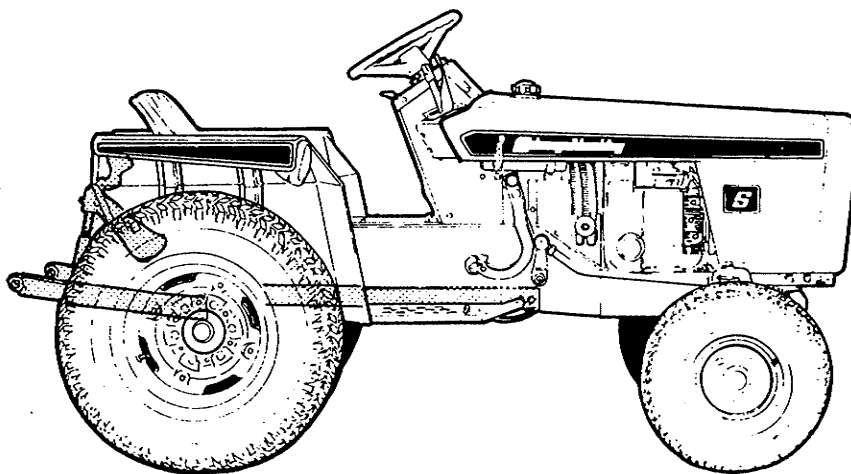


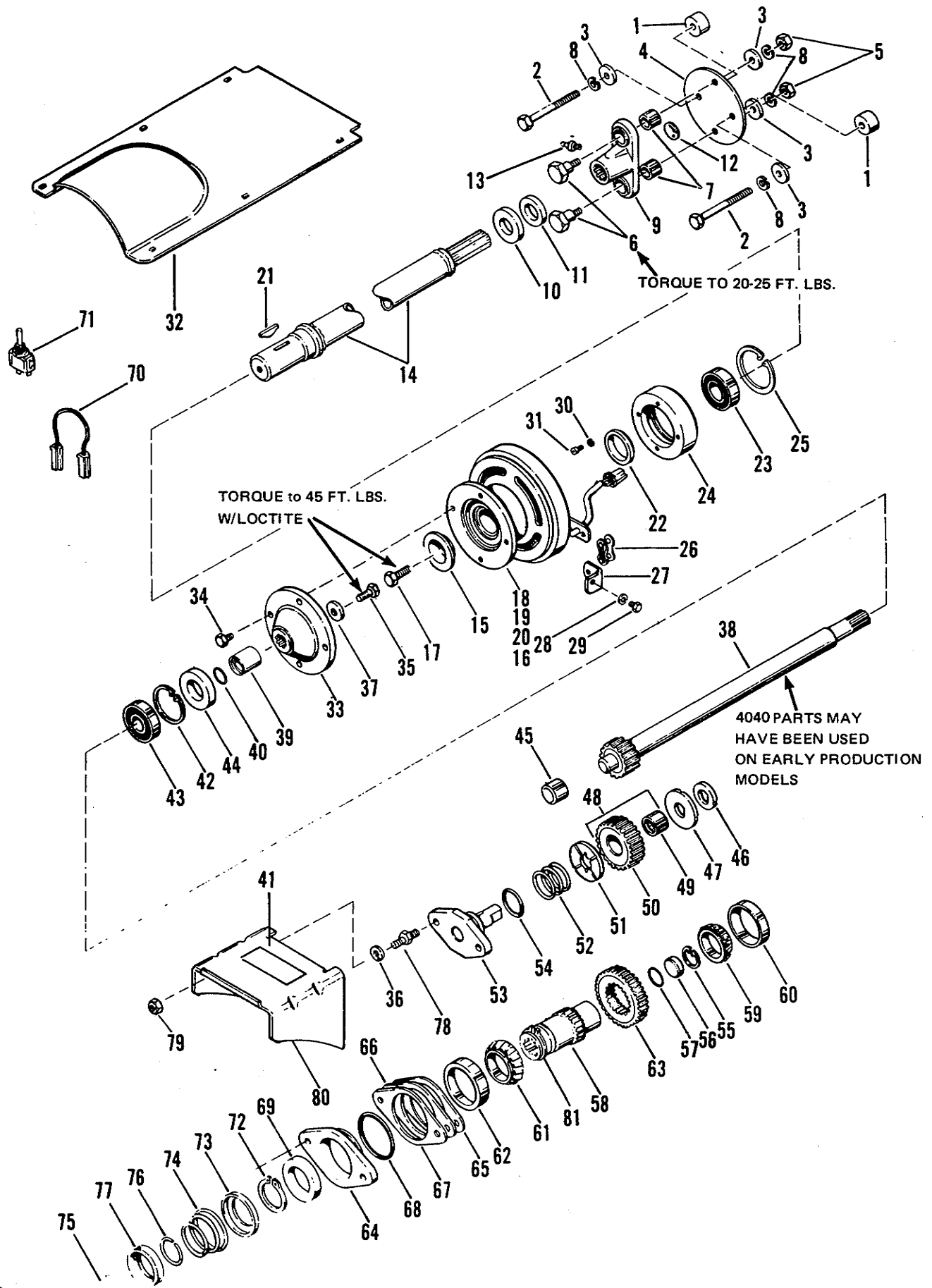


3 POINT HITCH

Ref. No.	Part No.	Qty. Req.	Description
1	170185	1	Pull Link Strap, R.H.
2	172197	1	Pull Link Strap, L.H.
3	715141	4	Hex Capscrew, 1/2"-13 x 2" lg.
4	106132	2	Spacer
5	173641	2	Pin
6	116001	2	Washer
7	173630	2	Collar
8	106788	2	Hair Pin Clip
9	168285	4	Eyebolt
10	722013	2	Cotter Pin, 1/4" x 1-1/2" lg.
11	714018	2	Self Tapping Screw, 1/4"-20 x 1-1/4" lg.
12	717516	4	Hex Nut, Lock, 1/2"-20
13	171689	2	Retaining Ring
14	173634	1	Rub Bar Assy. L.H.
15	173635	1	Rub Bar Assy. R.H.
16	118053	4	Pin
17	106787	4	Spring Clip
18	173006	2	Chain
19	168284	4	Shackle
20	174492	2	Pin
21	106788	2	Hair Pin Clip
22	171747	2	Clevis Assembly
23	171701	2	Link Assembly
24	8021050	2	Ball
25	171825	2	Trunnion
26	727014	2	Grease Fitting
27	173386	2	Pin
28	106788	4	Hair Pin Clip
29	8181008	2	King Pin
30	106788	2	Hair Pin Clip
31	171706	2	Clevis Assembly
32	171709	2	Collar

Ref. No.	Part No.	Qty. Req.	Description
33	723008	2	Roll Pin
34	171710	1	Lift Arm Assy. R.H.
35	171714	1	Lift Arm Assy. L.H.
36	171720	1	Upper Link Assy.
37	168281	1	Stud Assembly, R.H.
38	171693	1	Stud Assembly, L.H.
39	171695	2	Pin
40	171689	2	Retaining Ring
41	171722	1	Upper Support Link
42	715092	4	Hex Capscrew, 7/16"-14 x 1-1/4" lg.
43	720006	4	Lock Washer, 7/16"
44	718005	1	Hex Nut, Full
45	176606	2	Support Assembly
46	171691	2	Bushing
47	715144	2	Hex Capscrew, 1/2"-13 x 1-1/2" lg.
48	718063	2	Lock Nut
49	174492	2	Pin
50	106788	2	Hair Pin Clip
51	171719	1	Rock Shaft
52	154291	2	Retaining Ring
53	171692	4	Key
54	106391	2	Washer
55	172727	2	Cable Assembly
56	8271015	2	Pin
57	106787	2	Spring Clip
58	172725	4	Pulley
59	717521	4	Hex Nut, Lock, 1/2"-13
60	719003	2	Plain Washer, 7/16"
61	172825	1	Wire Guard, R.H.
62	172812	1	Wire Guard, L.H.
63	168293	2	Pull Link Assembly

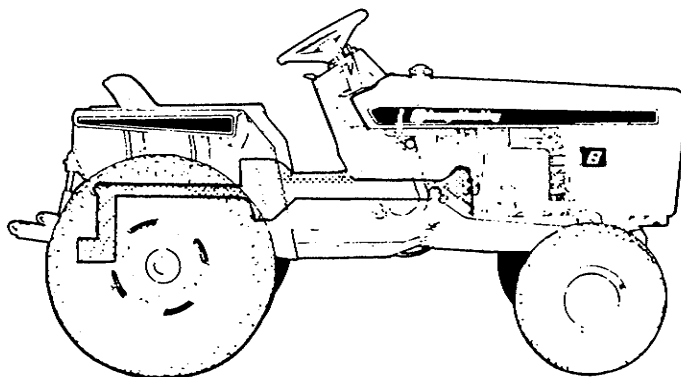


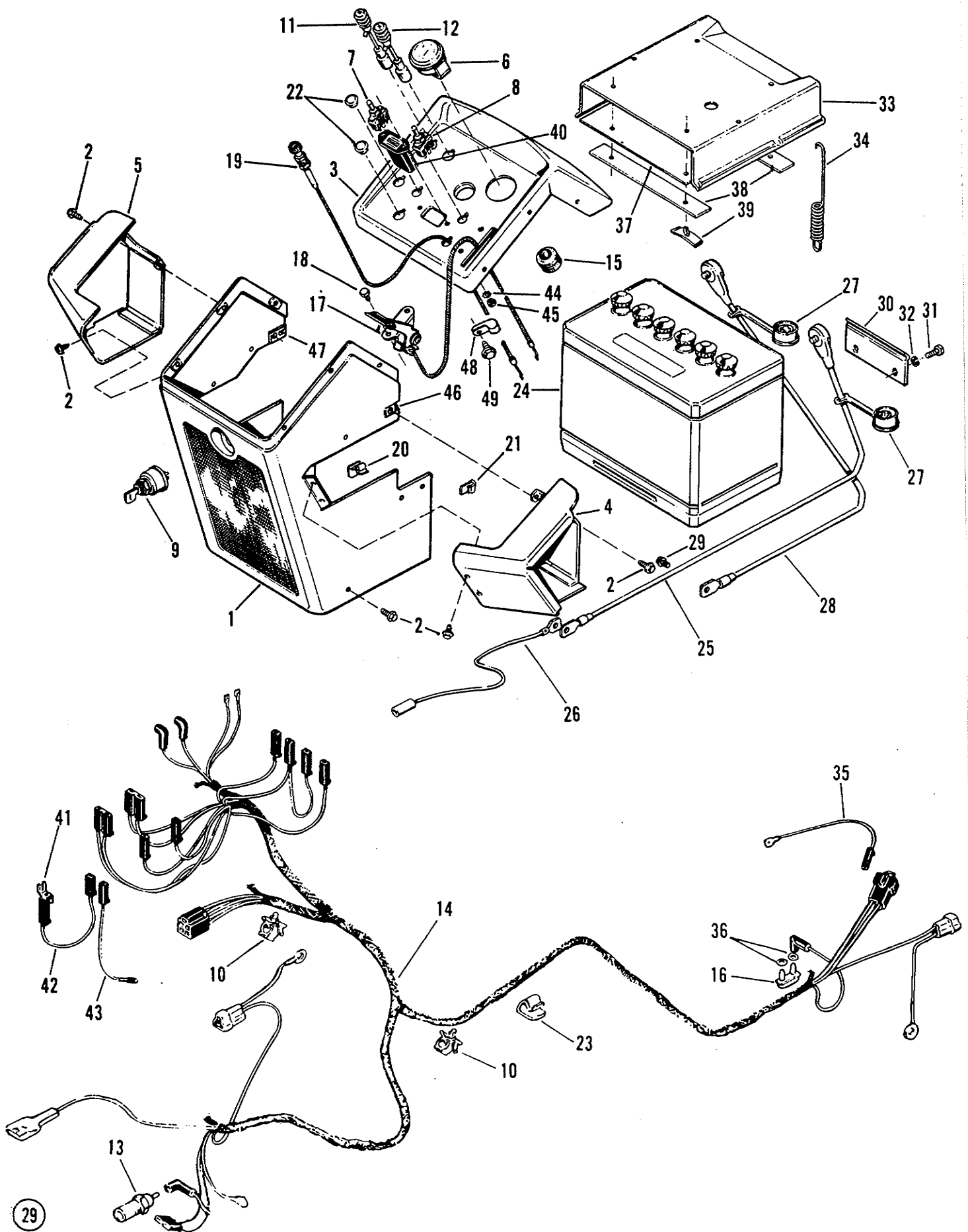


REAR PTO

Ref. No.	Part No.	Qty. Req.	Description
1	172539	2	Spacer
2	715178	2	Hex Capscrew, 3/8"-16 x 3-1/2"
3	177698	4	Special Washer
4	175230	1	Coupling
5	717013	2	Hex Jam Nut, 3/8"-16
6	108412	2	Bolt Shoulder
7	177943	2	Bushing
8	720002	4	Lockwasher, 3/8"
9	175229	1	Yoke
10	172266	1	Washer
11	177141	1	Felt Washer
12	177134	1	Plug
13	727002	1	Grease Fitting
14	176046	1	Shaft Assembly
15	173395	1	Collar
16	177960	1	Bearing (For Service Only)
17	715055	1	Hex Capscrew, Lock, 3/8"-16 x 1-1/4" lg.
18	171556	1	Electric Clutch
19	173479	1	Field Assembly (For Service Only)
20	173480	1	Rotor Armature Assembly (For Service Only)
21	176650	1	Key
22	176048	1	Washer
23	176050	1	Bearing
24	176047	1	Bearing Retainer
25	176049	1	Retaining Ring
26	171101	1	Connector Link
27	174276	1	Bracket Assembly
28	720003	1	Lockwasher, 1/4"
29	705030	1	Hex Capscrew, 1/4"-20 x 3/4" lg.
30	721507	4	Lockwasher, No. 10
31	715140	4	Socket Head Screw, No. 10-32 x 1/2" lg.
32	176539	1	Top Cover
33	172540	1	Hub
34	715152	4	Hex Capscrew, 5/16"-18 x 1" lg.
35	715061	1	Hex Capscrew, Lock, 3/8"-16 x 1" lg.
36	720002	1	Lockwasher, 3/8"
37	157424	1	Special Washer
38	176109	1	PTO Shaft Assembly

Ref. No.	Part No.	Qty. Req.	Description
39	176110	1	Spacer
40	176111	1	"O" Ring
41	173937	1	Film Safety
42	173512	1	Retaining Ring
43	118011	1	Ball Bearing
44	168006	1	Brake Seal
45	171185	1	Bearing
46	173880	1	Washer
47	173881	1	Thrust Washer
48	175150	1	Gear Assy. (Incl. Ref. Nos. 49 & 50)
49	171186	1	Bearing
50	171125	1	Gear
51	173882	1	Thrust Washer
52	174437	1	Spring
53	173878	1	Cap Assembly
54	171192	1	"O" Ring
55	172128	1	Retaining Ring
56	173030	1	Plug
57	173094	1	"O" Ring
58	178667	1	Drive Shaft
59	173197	1	Bearing Cone
60	173196	1	Bearing Cup
61	173195	1	Bearing Cone
62	173194	1	Bearing Cup
63	171124	1	Gear
64	173175	1	Cap
65	173198	3	Shim, .002
66	173199	3	Shim, .010
67	173200	3	Shim, .003
68	173186	1	"O" Ring
69	173184	1	Seal
70	173132	1	Jumper Wire
71	173016	1	Electric Switch
72	173210	1	Retaining Ring
73	175334	1	Retainer
74	175324	1	Spring
75	176658	3	Ball
76	176657	1	Spring Retainer
77	176656	1	Collar
78	171786	2	Stud
79	717003	2	Full Hex Nut, 3/8"-16
80	175245	1	Shield
81	178481	1	Retaining Ring



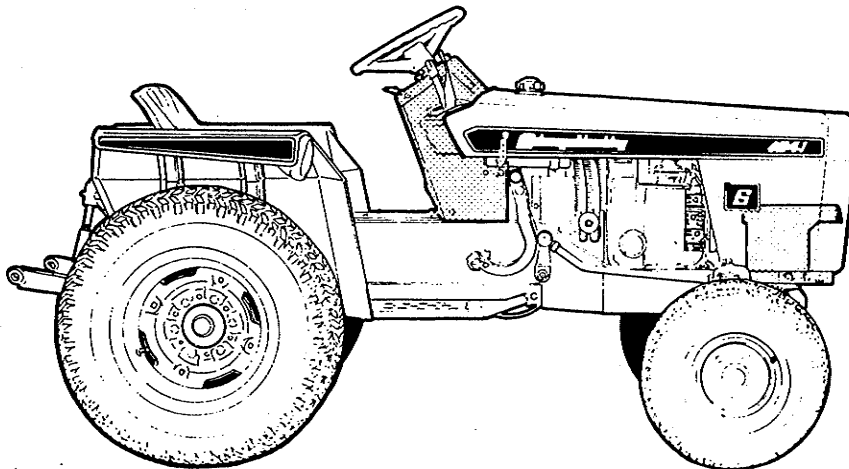


ELECTRICAL SYSTEM

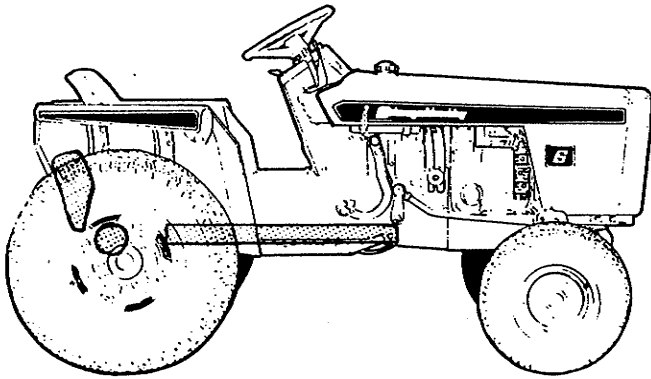
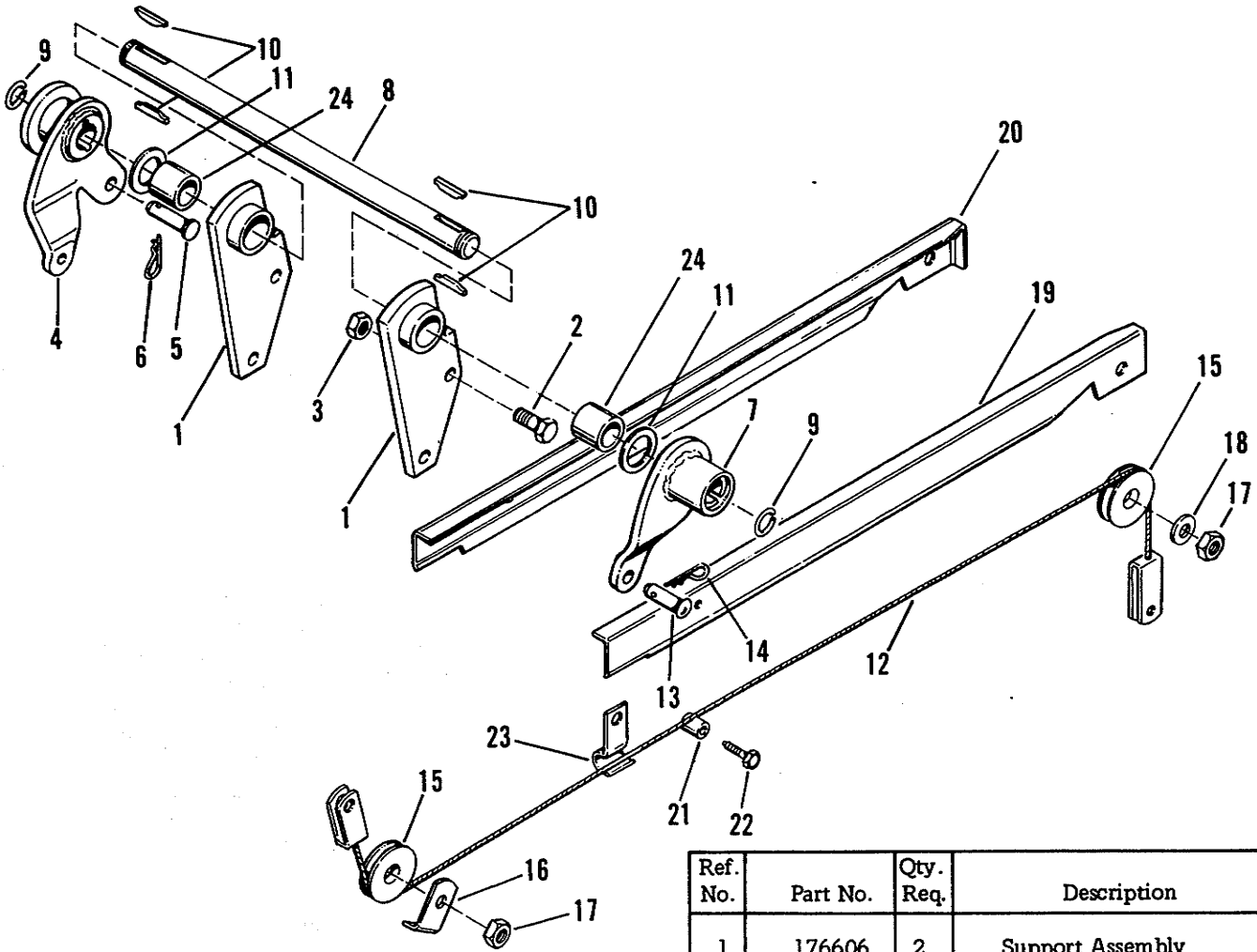
Ref. No.	Part No.	Qty. Req.	Description
1	176357	1	Body Support Assy.
2	715124	19	Thread Forming Screw, 1/4"-20 x 3/8" lg.
3	176361	1	Panel Assembly
4	172188	1	Panel Assembly, R.H.
5	172189	1	Panel Assembly, L.H.
6	171492	1	Ammeter
7	173016	1	Switch
8	122184	1	Switch
9	171491	1	Ignition Switch
10	176655	2	Clip
11	172916	1	Indicator Light, Hot
12	173237	1	Indicator Light, Oil
13	171498	1	Indicator Light, Switch
14	176671	1	Wiring Harness
15	173420	1	Grommet
16	172163	1	Circuit Breaker
17	176647	1	Throttle Control
18	715077	2	Thread Forming Screw, 1/4"-20 x 5/8" lg.
19	176646	1	Choke Control
20	165073	1	Clip
21	173783	2	Speed Clip
22	173429	2	Plug Button
23	173769	1	Clip
24	175105	1	Battery

Ref. No.	Part No.	Qty. Req.	Description
25	173124	1	Cable, Positive
26	173574	1	Wire
27	173419	2	Cap
28	173123	1	Cable, Negative
29	1715110	1	Taptite Screw, 5/16"-18 x 3/8" lg.
30	168236	1	Clamp
31	705017	2	Hex Capscrew, 5/16"-18 x 3/4" lg.
32	720001	2	Lockwasher, 5/16"
33	174980	1	Cover
34	159181	2	Spring
35	173096	1	Wire
36	1607608	2	Paper Washer
37	176256	1	Liner
38	176525	2	Strap
39	176524	4	Speed Clip
40	172993	1	Hour Meter
41	172996	1	Two-Way Adaptor (Mfg. Nos. 953 & 954)
42	172997	1	Wire (To Ignition Switch) (Mfg. Nos. 953 & 954)
43	172998	1	Wire (To Ground) (Mfg. Nos. 953 & 954)
44	720001	2	Lockwasher, External 1/4" (Mfg. Nos. 953 & 954)
45	717005	2	Hex Nut, 1/4"-20 (Mfg. Nos. 953 & 954)
46	718026	1	Speed Nut
47	718057	1	Speed Nut
48	158475	1	Clip
49	715129	1	Screw Thread Form

REFER TO OWNERS MANUAL FOR WIRING DIAGRAM.

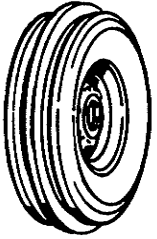


REAR LIFT



Ref. No.	Part No.	Qty. Req.	Description
1	176606	2	Support Assembly
2	715144	2	Hex Capscrew, 1/2-13 x 1-1/2" lg.
3	718063	2	Lock Nut
4	172811	1	Lift Arm Assembly, L.H.
5	171690	2	Pin
6	106788	2	Hair Pin Clip
7	172823	1	Lift Arm Assembly, R.H.
8	171719	1	Rock Shaft
9	154291	2	Retaining Ring
10	171692	4	Key
11	106391	2	Washer
12	172727	2	Cable Assembly
13	8271015	2	Pin
14	106787	2	Spring Clip
15	172725	4	Pulley
16	172806	2	Wire Guide
17	717521	4	Lock Nut, 1/2"-13
18	719003	2	Plain Washer
19	172825	1	Wire Guide, R.H.
20	172812	1	Wire Guide, L.H.
21	106132	2	Spacer
22	714018	2	Self Tapping Screw, 1/4"-20 x 1-1/4" lg.
23	173753	2	Wire Guide
24	171691	2	Bushing

FRONT TIRES



FACTORY FIELD AGRICULTURAL WHEEL AND TIRE MFG. NO. 956

- 168320 Rim and Tire Assembly (Front)
- 173474 Tube (For Service Only)
- 173446 Rim (Front)
- 157029 Valve Stem and Cap
- 8261100 Wheel Bolt (Not Included)

Tire 21.2 x 4.00 - 12 Standard
Super Rib (F-2)

PURCHASE TIRES FROM YOUR LOCAL TIRE DEL.

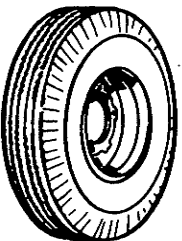


FACTORY FIELD TURF WHEEL AND TIRE MFG. NOS. 955 & 957

- 168316 Rim and Tire Assembly (Front)
- 173477 Tube (For Service Only)
- 173457 Rim (Front)
- 172353 Valve Stem and Cap
- 8261100 Wheel Bolt (Not Included)

Tire 20 x 8.00 - 10 Extra Traction (XT)

PURCHASE TIRES FROM YOUR LOCAL TIRE DEL.



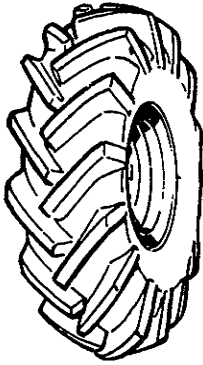
FACTORY FIELD HIGH CAPACITY WHEEL AND TIRE MFG. NOS. 958 & 959

- 173050 Rim and Tire Assembly (Front)
- 173459 Tube
- 173460 Rim (Front)
- 173728 Wheel Bolt (Not Included)

Tire 21.4 x 6.00 - 9 Super Rib

PURCHASE TIRES FROM YOUR LOCAL TIRE DEL.

REAR TIRES

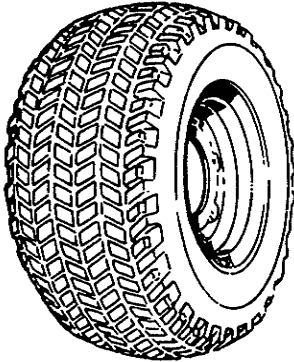


FACTORY FIELD AGRICULTURAL WHEEL AND TIRE MFG. NOS. 956 & 959

- 168319 Rim and Tire Assembly (Rear)
- 173475 Tube 8 x 16 (For Service Only)
- 173449 Rim (Rear)
- 157029 Valve Stem and Cap
- 172677 Wheel Bolts (Not Included)

Tire 31.7 x 8.00 - 16 Standard
Super Sure Grip (G-1)

PURCHASE TIRES FROM YOUR LOCAL TIRE DEL.

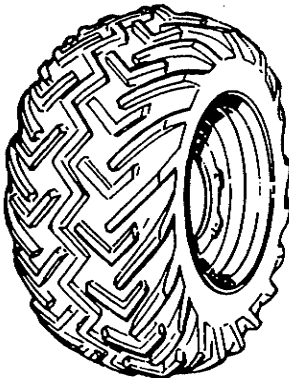


FACTORY FIELD TURF WHEEL AND TIRE MFG. NO. 955

- 170875 Rim and Tire Assembly (Rear)
- 173452 Rim (Rear)
- 157029 Valve Stem and Cap
- 173476 Tube (For Service Only)
- 172667 Wheel Bolts (Not Included)

Tire 29 x 12.00 - 15 Extra Traction (XT)

PURCHASE TIRES FROM YOUR LOCAL TIRE DEL.



FACTORY FIELD HIGH FLOTATION TIRE MFG. NOS. 957 & 958

- 168315 Rim and Tire Assembly (Rear)
- 173455 Rim (Rear)
- 173476 Tube (For Service Only)
- 157029 Valve Stem and Cap
- 172667 Wheel Bolt (Not Included)

Tire 31 x 15.5 Wrangler Extra
Traction (WXT)

PURCHASE TIRES FROM YOUR LOCAL TIRE DEL.

