

Axion

Series Lawn Tractor & Mower Decks

18.5HP Product

Mfg. No.	Description
----------	-------------

7800360	Axion, 18.5HP ZT18533 Zero Turn Rider w/33" Mower
---------	---

7800380	Axion, 18.5HP CZT18533 Zero Turn Rider w/33" Mower
---------	--

21HP Product

Mfg. No.	Description
----------	-------------

7800374	Axion, 21HP ZT2142 Zero Turn Rider w/42" Mower
---------	--

7800381	Axion, 21HP CZT2142 Zero Turn Rider w/42" Mower
---------	---

26HP Product

Mfg. No.	Description
----------	-------------

7800375	Axion, 26HP ZT2650 Zero Turn Rider w/50" Mower
---------	--

7800382	Axion, 26HP CZT2650 Zero Turn Rider w/50" Mower
---------	---

Not for
Reproduction

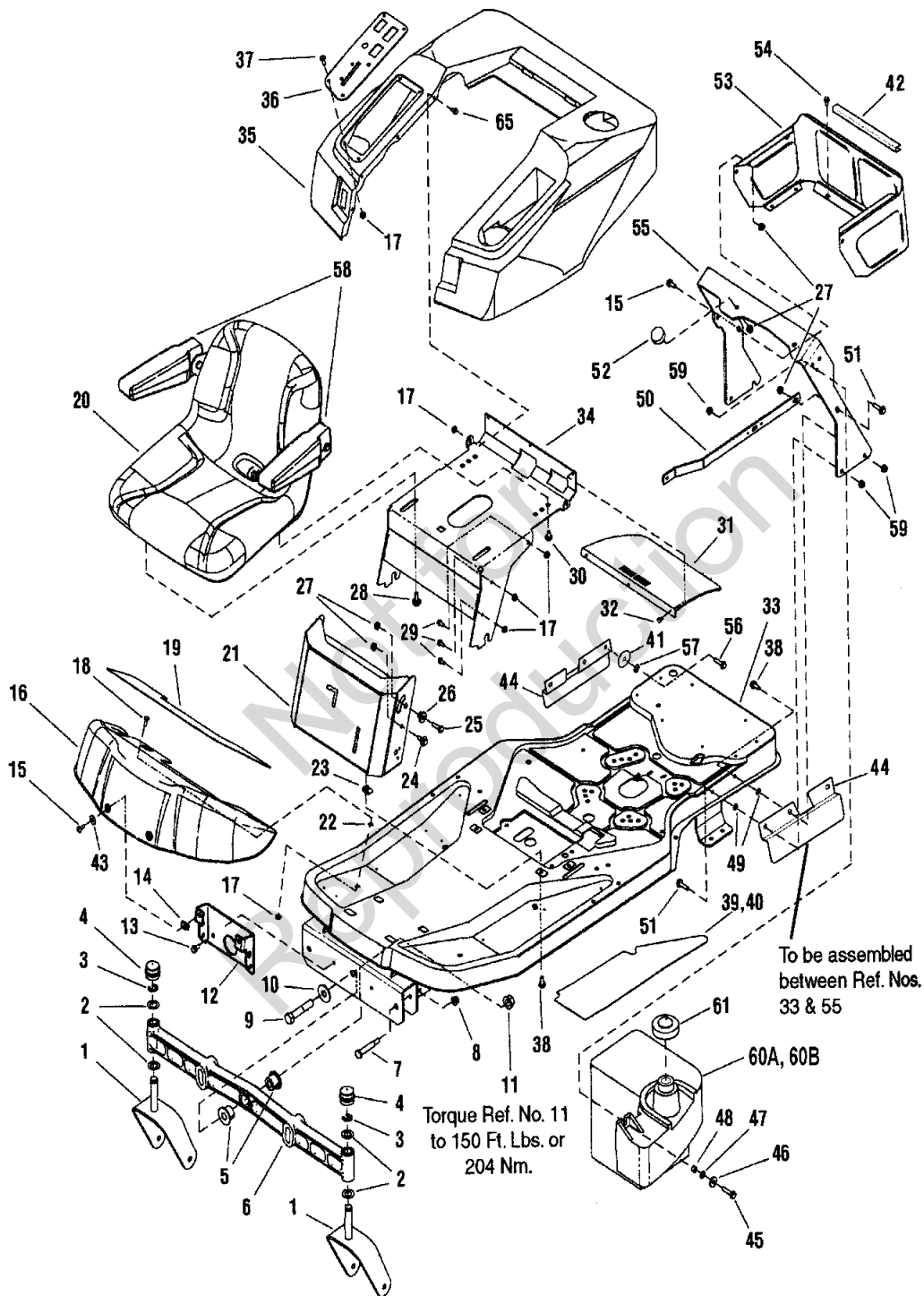
PRODUCT COMPONENTS	PAGES
Frame, Body & Seat Group	4
Engine Group - 18.5 H.P.	8
Engine Group - 21 H.P.	12
Engine Group - 26 H.P.	16
Transmission Group	18
Controls Group	22
Electrical Group	26
Wheel & Tire Group	28
Decal Group	30
Wiring Schematic	32
33" Mower Deck Group	34
42" Mower Deck - Clutch & Support Group	38
42" Mower Deck - Housing & Arbor Group	40
50" Mower Deck - Clutch & Support Group	42
50" Mower Deck - Housing & Arbor Group	44
Mower Lift Group - 33" Deck	46
Mower Lift Group - 42" Deck	48
Mower Lift Group - 50" Deck	50
Torque Specification Chart	Inside Back Cover

Not for
Reproduction

Frame, Body & Seat Group

2825fbsg

NOTE: Unless noted otherwise,
use the standard hardware torque
specification chart.



The above parts group applies to the following Mfg. Nos.:

- 7800360 - Axion
- 7800374 - Axion
- 7800375 - Axion
- 7800380 - Axion
- 7800381 - Axion
- 7800382 - Axion

Frame, Body & Seat Group

REF NO	PART NO.	QTY.	DESCRIPTION
1	1733448ASM	2	WELDMENT, Caster Yoke & Spindle- Black
2	1960160SM	4	WASHER, .75 ID x 1.60 OD x .05 Thick Flat (Black)
3	1611710SM	2	KLIPRING, External for .750 Dia. Shaft
4	1734135SM	2	CAP, Hub 1.481 I.D. x .62 Long Red Poly
5	1730186SM	2	BUSHING, Axle Pivot PM Regent Yellow
6	1733426ASM	1	AXLE, Front Iron Casting Machined ZT 2007
7	1733571SM	2	SHOULDER BOLT, 3/8-16 x 3" Long .50 Sh GR5 Black
8	1960687SM	3	NUT, 3/8-16 Hex Flange Nyloc
9	2860744SM	1	SCREW, 5/8-11 x 3-1/4" Hex Head Cap, GR5 Yellow
10	1960035SM	1	WASHER, 0.64 I.D. x 1.75 O.D. x .11 Thick, Black
11	2860646SM	1	NUT, Hex Flange 5/8-11 Two Way Lock Yellow
12	1733304ASM	1	BRACKET, Footrest Support, 12 Ga Sears- Black
13	1930601SM	2	SCREW, 5/16-18 x .62 Taptite
14	1960368SM	2	SPEED NUT, 1/4-20 Lug Type .025/.150 Black
15	1921333SM	2	SCREW, 5/16-18 x 1" Hex Head Cap
16	1726025CSM	1	PANEL, Footrest, 18 Ga ZT 7000 Gloss Orange
17	1960694SM	14	NUT, 1/4-20 Hex Flange Nyloc Black
18	1931317SM	2	BOLT, 1/4-20 x 2" Round Head Short Square Neck, GR5 Black
19	1726306SM	1	PAD, Footrest Center Black Vinyl Sears
20	1726018SM	1	ASSEMBLY, Seat w/Arm Rests ZTR Sears
21	7300752ASM	1	PANEL, Front - Manual Brake & Deck Lift
22	1960518SM	2	RETAINER, 1/4" Bolt
23	1935255SM	4	SPEED NUT, 5/16 -18 Lug Type .025/.150 B
24	009X67MA	2	SHOULDER BOLT, 5/16-18
25	1960223SM	2	BOLT, 5/16-18 x 1-1/4" Round Head Short Square Neck GR5 Black
26	1728086SM	2	PIVOT, Hood (Powdered Metal)
27	1931277SM	4	NUT, 5/16-18 Hex Flange Lock, Small - Black
28	1716654SM	2	BOLT, 5/16-18 Idler Pivot
29	1960295SM	6	SCREW, 1/4-20 x 5/8" Hex Whiz Lock Flange
30	1960738SM	2	SCREW, 5/16-18 x 3/4" Hex Flange Lock Dog Point
31	7102141SM	1	SCREEN, Deck Top
32	1673320SM	3	RIVET, .188 x .617 Large Flange
33	1735028ASM	1	WELDMENT, Frame- 33" ZT
33	1733227ASM	1	WELDMENT, Frame- 42" & 50" ZT (Black)
34	1733965ASM	1	SUPPORT, Seat Deck 12 GA ZTS Sears-Black
35	1734144SM	1	SEAT DECK, Orange Poly Sears ZTS
36	1734252ASM	1	PLATE, Control 12 GA ZTS 2007- Black
37	1960715SM	8	SCREW, 1/4-20 x 3/4" Truss Head Torx Black
38	7091591SM	4	BOLT, 5/16-18 x 1" Hex Flange Lock YZ
39	1728986SM	1	PAD, Footrest RH Black Vinyl w/Adhesive Sears
40	1728987SM	1	PAD, Footrest LH Black Vinyl w/Adhesive Sears
41	1960534SM	1	WASHER, .375 Flat (0.41 I.D. x 1.50 O.D. x .25 Thick) Black
42	1735680SM	1	TRIM, 8"

Footnotes

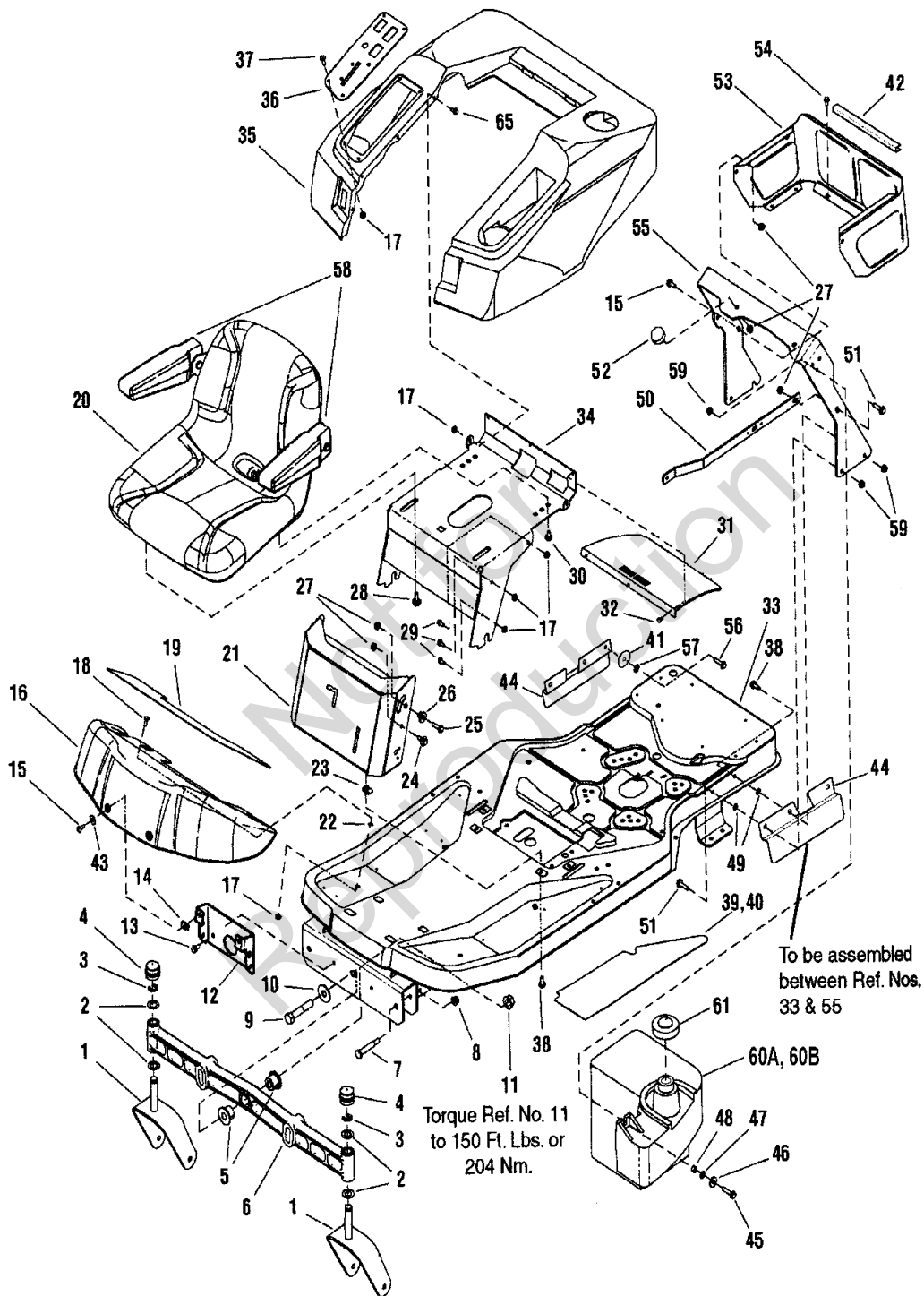
The above parts group applies to the following Mfg. Nos.:

7800360 - Axion
 7800374 - Axion
 7800375 - Axion
 7800380 - Axion
 7800381 - Axion
 7800382 - Axion

Frame, Body & Seat Group

2825fbsg

NOTE: Unless noted otherwise,
use the standard hardware torque
specification chart.



The above parts group applies to the following Mfg. Nos.:

- 7800360 - Axion
- 7800374 - Axion
- 7800375 - Axion
- 7800380 - Axion
- 7800381 - Axion
- 7800382 - Axion

Frame, Body & Seat Group

REF NO	PART NO.	QTY.	DESCRIPTION
43	2820426SM	2	WASHER, 5/16" External Tooth Lock Washer Yellow
44	1734392ASM	2	GUARD, Debris 12 Ga Sears ZTR 2007- Black
45	1921221SM	1	SCREW, 5/16-18 x 1-1/2" Hex Head Cap, GR5 Black
46	1919381SM	1	WASHER, 5/16" Flat (.341 I.D. x 1.00 O.D. x .13 Thick) Black
47	7090189SM	1	WASHER 5/16" Internal/External Tooth Lock, BZ
48	7024340SM	1	SPACER, .316 x .375 x .300/.310
49	1933988SM	4	PUSH NUT, 5/16" Dia. Thread .625 O.D. Black (Pal)
50	1734323ASM	1	STRAP, Fuel Tank Brace
51	1921977SM	5	SCREW, 5/16-18 x 1-1/4" Hex Head Cap, GR5 Black
52	1726390SM	2	BUMPER, Rubber 1.50 DIA 0.5 Thick Sears
53	1715962ASM	1	SHROUD, Rear 20 GA ZTR 14+16, Cor Black
54	1925003SM	6	SCREW, 1/4-20 x 1/2" Hex Washer Head Screw Black (Taptite)
55	1733393ASM	1	SUPPORT, Seat Deck .250 Thick Sears- Black
56	1920415SM	1	SCREW, 3/8-16 x 1-1/4" Hex Head Cap, GR5 Black
57	1931942SM	1	PUSH NUT, .375 Dia. Thread .781 O.D. Black (Pal)
58	1677021SM	1	KIT, Arm Rest L.H. & R.H.
59	1960686SM	9	NUT, 5/16-18 Hex Flange Nyloc
60A	7102378SM	1	ASSEMBLY, Fuel Tank (incl. below items 61, 63 & 64) used on 49-state models (excluding California)
60B	7102688SM	1	ASS'Y, Fuel Tank (incl. below items 61 through 64) used on California models
61	1734320SM	1	ASSEMBLY, Fuel Cap (Vented)
62	7102690SM	1	TUBE, Fuel Pickup (not shown)
63	1674792SM	1	ELBOW, Gas Tank (not shown)
64	1726400SM	1	BUSHING, Fuel (not shown)
65	1930594SM	6	SCREW, 1/4-20 x 3/4" Hex Flange Lock Black

Footnotes

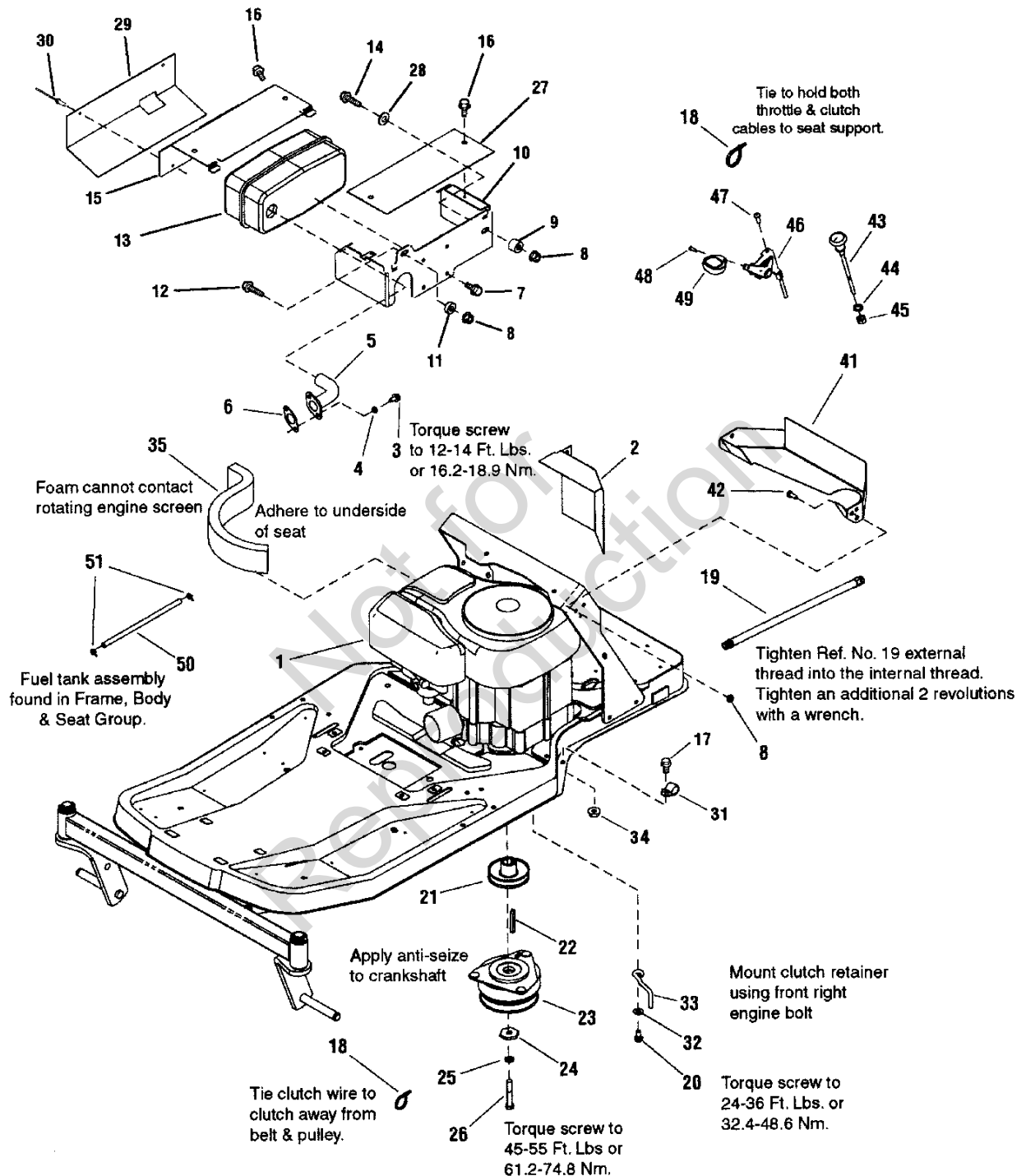
The above parts group applies to the following Mfg. Nos.:

7800360 - Axion
7800374 - Axion
7800375 - Axion
7800380 - Axion
7800381 - Axion
7800382 - Axion

Engine Group - 18.5 H.P.

825eg185

NOTE: Unless noted otherwise,
use the standard hardware torque
specification chart.



The above parts group applies to the following Mfg. Nos.:

7800360 - Axion

7800380 - Axion

Engine Group - 18.5 H.P.

REF NO	PART NO.	QTY.	DESCRIPTION
1	----	1	* ENGINE, 18.5 HP, Intek Mod. 31Q777-0117-B1
1	----	1	* ENGINE, 18.5 HP, B&S, Els-Calif. Mod. 31Q777-0118-G1
2	1734150ASM	1	HEAT SHIELD, Inner
3	1936228SM	2	SCREW, 5/16-18 x 3/4" Hex Head Cap, GR8
4	1917356SM	2	LOCKWASHER, Spring 5/16" Black
5	1732259SM	1	WELDMENT, Exhaust Pipe
6	1731214SM	1	GASKET, Exhaust B&S
7	1960295SM	4	SCREW, 1/4-20 x 5/8" Hex Whiz Lock Flange
8	1927557SM	4	NUT, 5/16-18 Hex Flange Lock Large Black
9	1667812SM	1	SPACER (.390 x .900 x .70) YZ
10	1732255SM	1	BRACKET, Muffler/Heat Shield
11	1667811SM	1	SPACER, .390 I.D. x .90 O.D. x .34 Long, Powdered Metal
12	1921977SM	1	SCREW, 5/16-18 x 1-1/4" Hex Head Cap, GR5 Black
13	1732273SM	1	MUFFLER ASSEMBLY, Single
14	1921221SM	1	SCREW, 5/16-18 x 1-1/2" Hex Head Cap, GR5 Black
15	1727996SM	1	HEAT SHIELD, Outer Single
16	1960720SM	4	SCREW, #10 x 1/2" Hex Washer Head Self-Tap
17	1930591SM	1	SCREW, 5/16-18 x 3/4" Hex Flange Lock
18	2832747SM	2	TIE, Self Locking 3-5/8" Long
19	1726498SM	1	HOSE, Oil Drain, 16-1/2" Long
20	2828635SM	3	SCREW, 3/8-16 x 1-1/4" Hex Washer Head Taptite
21	1727816SM	1	PULLEY ASSEMBLY, Engine
22	2154096SM	1	KEY, .250 Square x .91 Long Parallel
23	7029232SM	1	ELECTRIC CLUTCH, Ogura MA-GT-SN11S
24	1708264SM	1	WASHER, Hex, .453 I.D. x 1-1/2"
25	1918199SM	1	LOCKWASHER, Spring, .438
26	1960648SM	1	SCREW, 7/16-20 x 2-3/4" Hex Head Cap, GR5, Black
27	1732885ASM	1	HEAT SHIELD
28	1919326SM	2	WASHER, 5/16" (.34 I.D. x 3/4" O.D.)
29	1733063SM	1	HEAT SHIELD
30	1675044SM	2	RIVET, Pop
31	7900020SM	1	CLIP, Harness, 5/8"
32	1924940SM	1	WASHER, 3/8", (.41 I.D. x .87 O.D. x .08 Thick)
33	1734049SM	1	RETAINER, Clutch
34	1931277SM	1	NUT, 5/16-18 Hex Whiz Lock Flange
35	1734189SM	1	SEAL, Foam Air Duct, 1 x 2-1/2", 12" Long
41	1734180ASM	1	AIR DUCT, Inlet
42	1921332SM	2	SCREW, 5/16-18 x 3/4" Hex Head Cap, Black
43	7100416SM	1	CABLE, Choke, 54"
44	7090390SM	1	WASHER, 3/8" Internal Tooth Lock
45	7091630SM	1	NUT, 3/8-24 Hex
46	7075449SM	1	CONTROL, Throttle B&S Intek 16 HP Single
47	7090999SM	2	SCREW, 1/4-20 x 5/8" Pan Head Taptite Torx

Footnotes

Note: * Purchase engine components directly from engine manufacturer dealer.

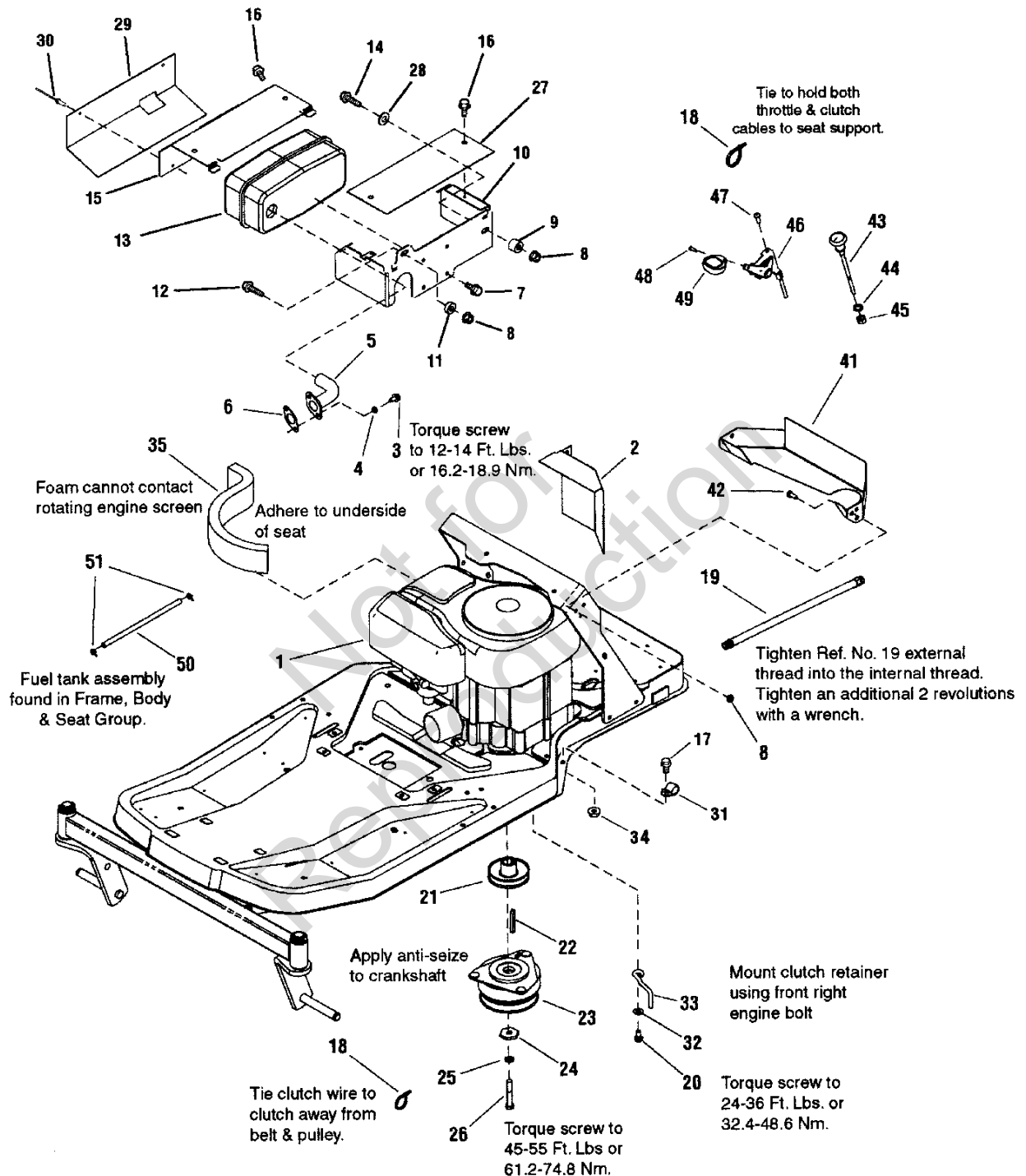
The above parts group applies to the following Mfg. Nos.:

7800360 - Axion
7800380 - Axion

Engine Group - 18.5 H.P.

825eg185

NOTE: Unless noted otherwise,
use the standard hardware torque
specification chart.



The above parts group applies to the following Mfg. Nos.:

7800360 - Axion
7800380 - Axion

Engine Group - 18.5 H.P.

REF NO	PART NO.	QTY.	DESCRIPTION
48	7091195SM	1	SCREW, #10-16 x 3/4" Pan Head Taptite Combo
49	7100529SM	1	KNOB, Throttle, Red
50	1734995SM	1	HOSE, Fuel, 1/4" I.D. x 19-1/2" Low Perm
51	7029900SM	2	CLAMP, Fuel Hose

Not for
Reproduction

Footnotes

Note: * Purchase engine components directly from engine manufacturer dealer.

The above parts group applies to the following Mfg. Nos.:

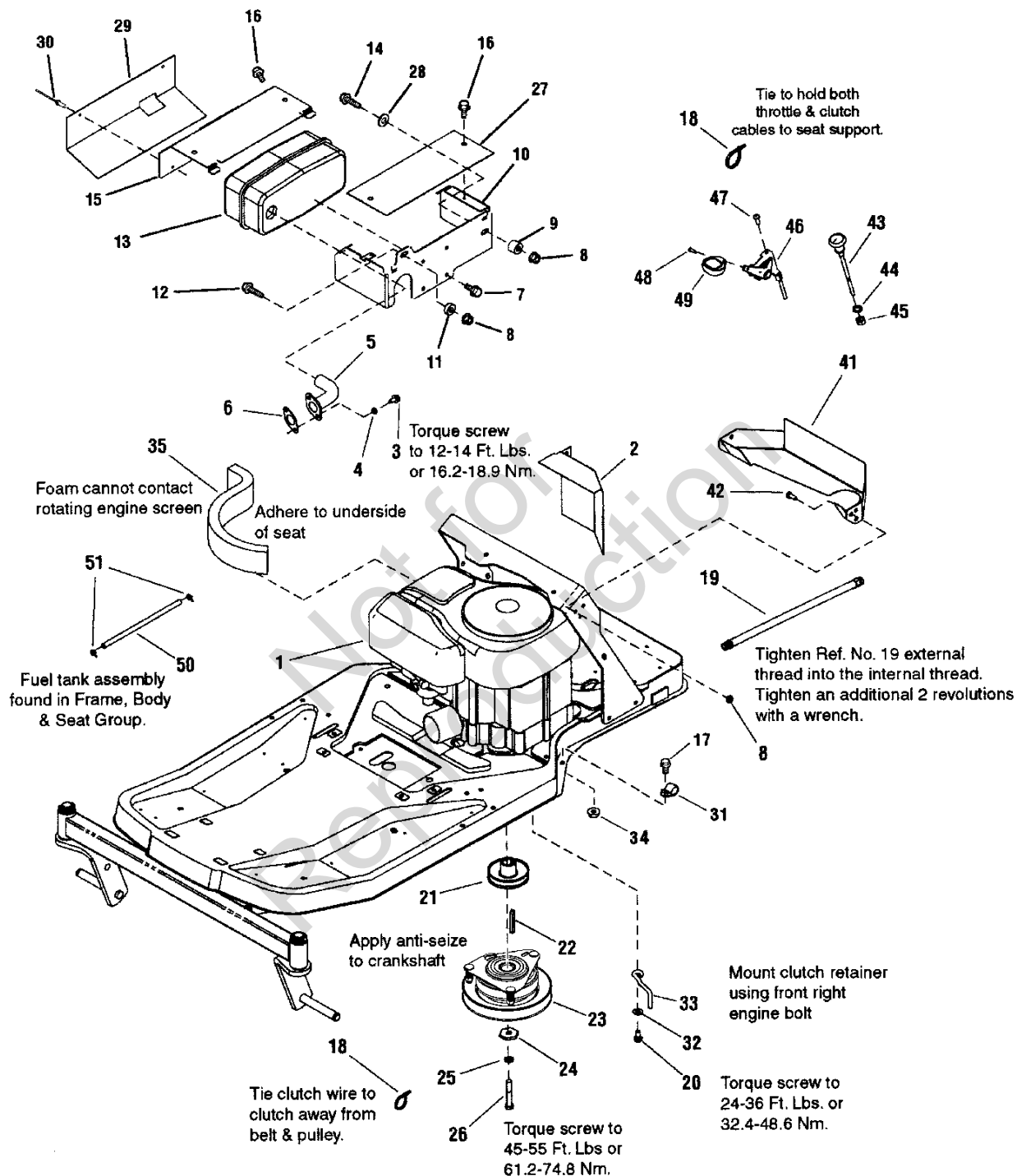
7800360 - Axion

7800380 - Axion

Engine Group - 21 H.P.

2825eg21

NOTE: Unless noted otherwise,
use the standard hardware torque
specification chart.



The above parts group applies to the following Mfg. Nos.:

7800374 - Axion

7800381 - Axion

Engine Group - 21 H.P.

REF NO	PART NO.	QTY.	DESCRIPTION
1	-----	1	* ENGINE, 21 HP, B&S, ELS, Mod. 33M777-0111-B1
1	-----	1	* ENGINE, 21 HP, B&S, ELS-Calif., Mod. 33M777-0115-G1
2	7300919ASM	1	HEAT SHIELD, Inner
3	1936228SM	2	SCREW, 5/16-18 x 3/4" Hex Head Cap, GR8
4	1917356SM	2	LOCKWASHER, Spring 5/16" Black
5	1732259SM	1	WELDMENT, Exhaust Pipe
6	1731214SM	1	GASKET, Exhaust B&S
7	1960295SM	4	SCREW, 1/4-20 x 5/8" Hex Whiz Lock Flange
8	1927557SM	4	NUT, 5/16-18 Hex Flange Lock Large Black
9	1667812SM	1	SPACER (.390 x .900 x .70) YZ
10	1732255SM	1	BRACKET, Muffler/Heat Shield
11	1667811SM	1	SPACER, .390 I.D. x .90 O.D. x .34 Long, Powdered Metal
12	1921977SM	1	SCREW, 5/16-18 x 1-1/4" Hex Head Cap, GR5 Black
13	1732273SM	1	MUFFLER ASSEMBLY, Single
14	1921221SM	1	SCREW, 5/16-18 x 1-1/2" Hex Head Cap, GR5 Black
15	7300918ASM	1	HEAT SHIELD, Outer Single
16	1960720SM	4	SCREW, #10 x 1/2" Hex Washer Head Self-Tap
17	1930591SM	1	SCREW, 5/16-18 x 3/4" Hex Flange Lock
18	2832747SM	2	TIE, Self Locking 3-5/8" Long
19	1726498SM	1	HOSE, Oil Drain, 16-1/2" Long
20	2828635SM	3	SCREW, 3/8-16 x 1-1/4" Hex Washer Head Taptite
21	7101716SM	1	PULLEY, Engine- ZT
22	2154096SM	1	KEY, .250 Square x .91 Long Parallel
23	1686880SM	1	CLUTCH, Ogura JD-11
24	1708264SM	1	WASHER, Hex, .453 I.D. x 1-1/2"
25	1918199SM	1	LOCKWASHER, Spring, .438
26	7027266SM	1	SCREW, 7/16-20 x 3" Hex Head Cap, GR5 (w/Nyloc Patch)
27	1732885ASM	1	HEAT SHIELD
28	1919326SM	2	WASHER, 5/16" (.34 I.D. x 3/4" O.D.)
29	1733063SM	1	HEAT SHIELD
30	1675044SM	2	RIVET, Pop
31	7900020SM	1	CLIP, Harness, 5/8"
32	1924940SM	1	WASHER, 3/8", (.41 I.D. x .87 O.D. x .08 Thick)
33	7101717SM	1	RETAINER, Clutch
34	1931277SM	1	NUT, 5/16-18 Hex Whiz Lock Flange
35	7102139SM	1	SEAL, Foam 1.0 x 3.50 x 12" Long
41	1734180ASM	1	AIR DUCT, Inlet
42	1921332SM	2	SCREW, 5/16-18 x 3/4" Hex Head Cap, Black
43	7100416SM	1	CABLE, Choke, 54"
44	7090390SM	1	WASHER, 3/8" Internal Tooth Lock
45	7091630SM	1	NUT, 3/8-24 Hex
46	7075449SM	1	CONTROL, Throttle B&S Intek 16 HP Single
47	7090999SM	2	SCREW, 1/4-20 x 5/8" Pan Head Taptite Torx

Footnotes

Note: * Purchase engine components directly from engine manufacturer dealer.

Note: ** See Frame, Body & Seat Group for fuel tank assy.

The above parts group applies to the following Mfg. Nos.:

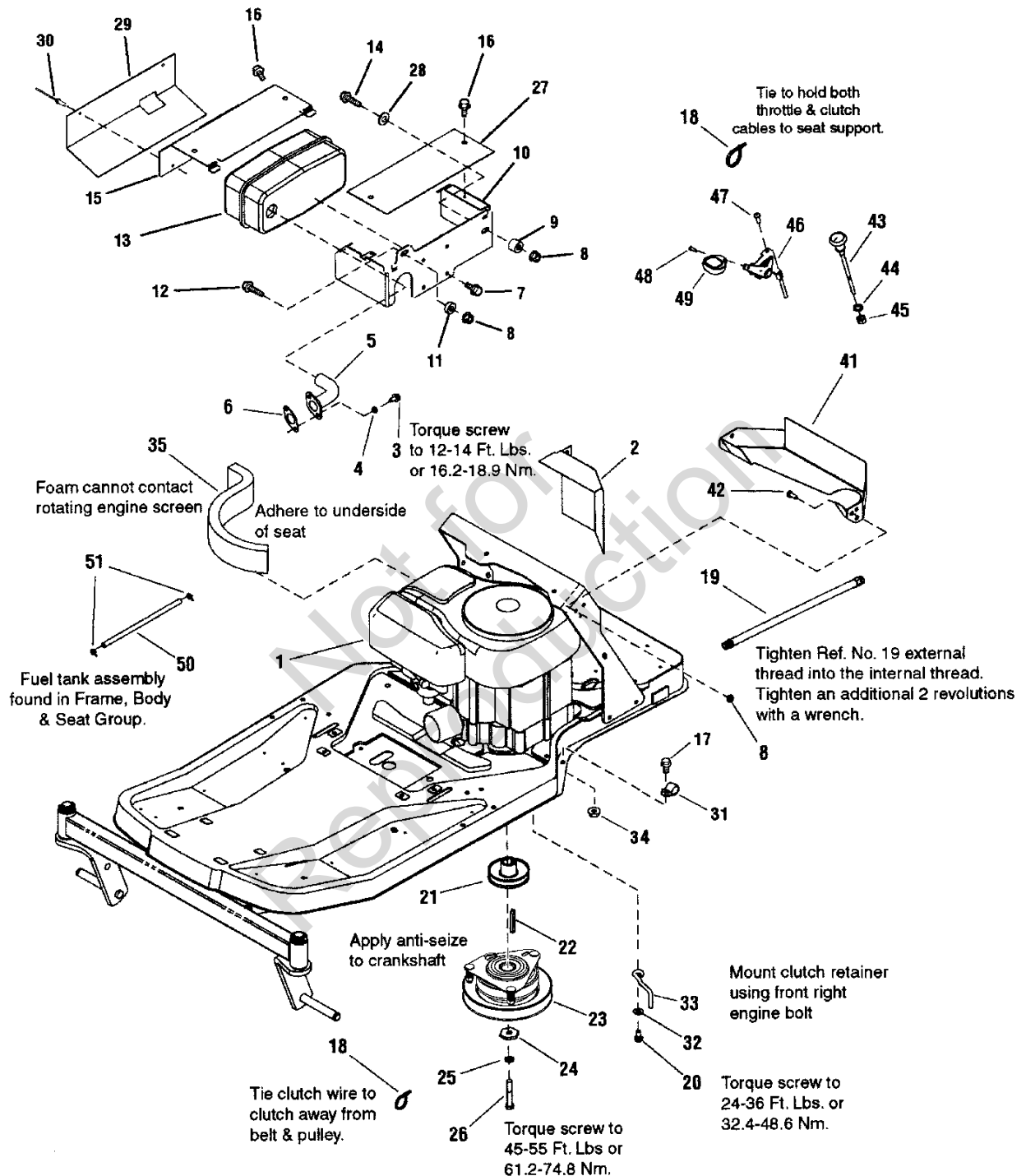
7800374 - Axion

7800381 - Axion

Engine Group - 21 H.P.

2825eg21

NOTE: Unless noted otherwise,
use the standard hardware torque
specification chart.



The above parts group applies to the following Mfg. Nos.:

7800374 - Axion

7800381 - Axion

Engine Group - 21 H.P.

REF NO	PART NO.	QTY.	DESCRIPTION
48	7091195SM	1	SCREW, #10-16 x 3/4" Pan Head Taptite Combo
49	7100529SM	1	KNOB, Throttle, Red
50	1734995SM	1	** HOSE, Fuel, Low Perm, 1/4" I.D. x 19-1/2" Long
51	7029900SM	2	CLAMP, Fuel Hose

Not for
Reproduction

Footnotes

Note: * Purchase engine components directly from engine manufacturer dealer.

Note: ** See Frame, Body & Seat Group for fuel tank assy.

The above parts group applies to the following Mfg. Nos.:

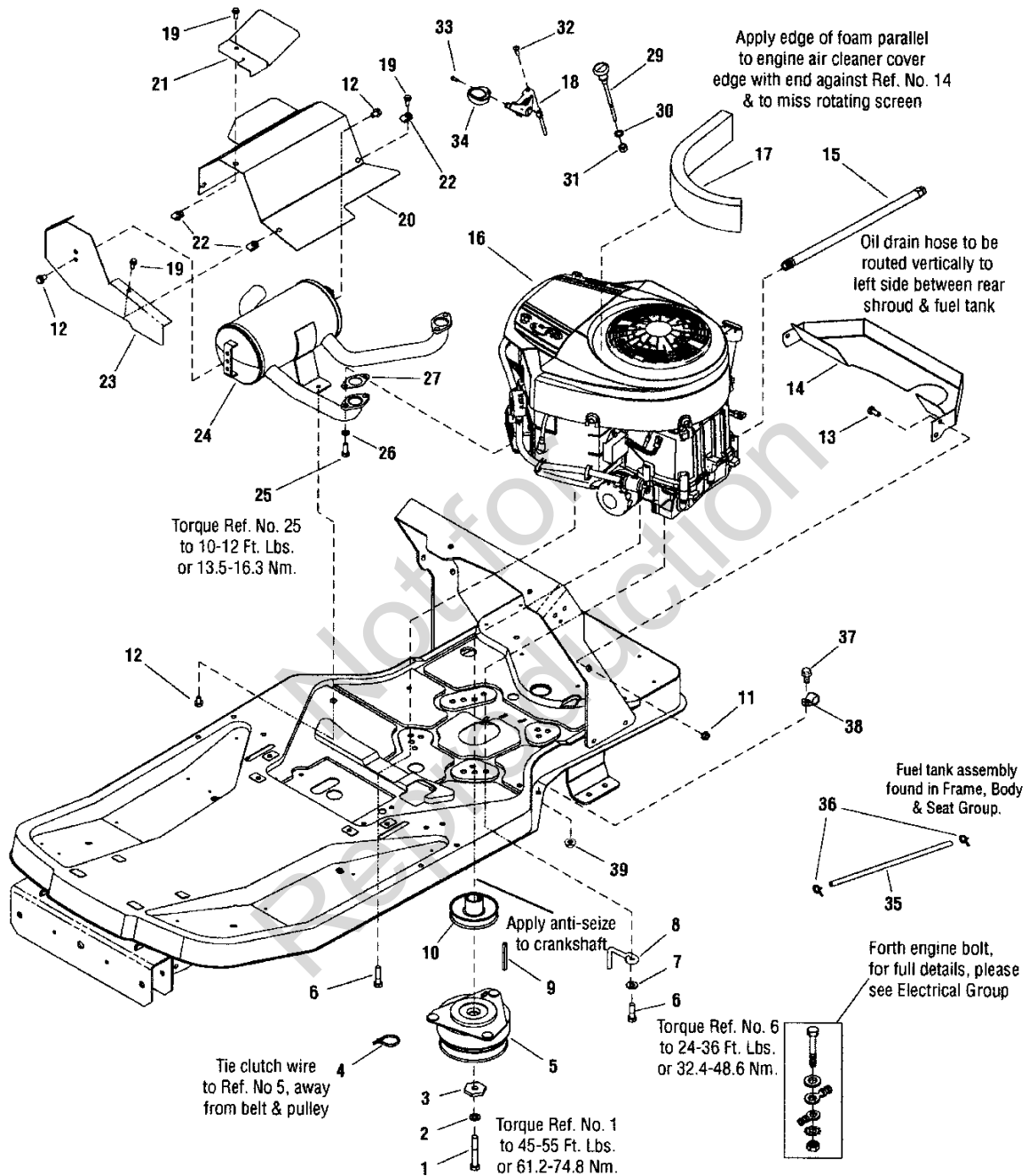
7800374 - Axion

7800381 - Axion

Engine Group - 26 H.P.

2825eg26

NOTE: Unless noted otherwise, use the standard hardware torque specification chart.



The above parts group applies to the following Mfg. Nos.:

- 7800375 - Axion
- 7800382 - Axion

Engine Group - 26 H.P.

REF NO	PART NO.	QTY.	DESCRIPTION
1	7027266SM	1	SCREW, 7/16-20 x 3" Hex Head Cap, GR5 (w/Nyloc Patch)
2	1918199SM	1	LOCKWASHER, Spring, .438
3	1708264SM	1	WASHER, Hex, .453 I.D. x 1-1/2"
4	2832747SM	1	TIE, Self Locking 3-5/8" Long
5	1686880SM	1	CLUTCH, Ogura JD-11
6	2828635SM	3	SCREW, 3/8-16 x 1-1/4" Hex Washer Head Taptite
7	1924940SM	1	WASHER, 3/8", (.41 I.D. x .87 O.D. x .08 Thick)
8	7101717SM	1	RETAINER, Clutch
9	2154096SM	1	KEY, .250 Square x .91 Long Parallel
10	7101716SM	1	PULLEY, Engine- ZT
11	1931277SM	4	NUT, 5/16-18 Hex Whiz Lock Flange
12	1924856SM	4	SCREW, 5/16-18 x 1/2" Hex Washer Head Taptite
13	1921332SM	2	SCREW, 5/16-18 x 3/4" Hex Head Cap, Black
14	1733414ASM	1	AIR DUCT, Inlet
15	1726498SM	1	HOSE, Oil Drain, 16-1/2" Long
16	-----	1	* ENGINE, 26 HP B&S, ELS, Mod. 44P777-0141-B1
16	-----	1	* ENGINE, 26 HP, B&S, ELS-Calif., Mod. 44P777-0141-G1
17	1734169SM	1	SEAL, Foam Air Inlet
18	1734332SM	1	CONTROL, Throttle, .187 Cable 18.80 Long
19	1960295SM	5	SCREW, 1/4-20 x 5/8" Hex Whiz Lock Flange
20	1734246ASM	1	HEAT SHIELD, Muffler Top
21	1728017SM	1	HEAT SHIELD, Throttle
22	1960368SM	5	NUT, Speed, 1/4-20
23	1727939SM	1	HEAT SHIELD, Muffler Side
24	1734061SM	1	MUFFLER, 24 HP V-Twin ELS
25	1936228SM	4	SCREW, 5/16-18 x 3/4" Hex Head Cap, GR8
26	1917356SM	4	LOCKWASHER, Spring 5/16" Black
27	1731214SM	2	GASKET, Exhaust B&S
29	1734333SM	1	CABLE, Choke, 20" Long
30	7090390SM	1	WASHER, 3/8" Internal Tooth Lock
31	7091630SM	1	NUT, 3/8-24 Hex
32	7090999SM	2	SCREW, 1/4-20 x 5/8" Pan Head Taptite Torx
33	7091195SM	1	SCREW, #10-16 x 3/4" Pan Head Taptite Combo
34	7100529SM	1	KNOB, Throttle, Red
35	1734995SM	1	** HOSE, Fuel, Low Perm, 1/4" I.D. x 19-1/2" Long
36	7029900SM	2	CLAMP, Fuel Hose
37	1930591SM	1	SCREW, 5/16-18 x 3/4" Hex Flange Lock
38	7900020SM	1	CLIP, Harness, 5/8"
39	1932377SM	1	NUT, 5/16-18 Hex Whiz Lock Flange

Footnotes

Note: * Purchase engine components directly from engine manufacturer dealer.

Note: ** See Frame, Body & Seat Group for fuel tank assy.

The above parts group applies to the following Mfg. Nos.:

7800375 - Axion

7800382 - Axion

Transmission Group

REF NO	PART NO.	QTY.	DESCRIPTION
1	1960223SM	2	BOLT, 5/16-18 x 1-1/4" Round Head Short Square Neck GR5 Black
2	1919381SM	4	WASHER, 5/16" Flat (.341 I.D. x 1.00 O.D. x .13 Thick) Black
3	1703900SM	2	SPACER, .323 I.D. x .500 O.D. x 0.270 Long Heat Treated
4	1960684SM	2	NUT, 5/16-18 Hex Keps Conical Washer Black
5	1727555SM	1	ROD, Control, LH (.500 Dia. X 27.88 Long) Sears
6	1727556SM	1	ROD, Control, RH (.500 Dia. X 27.88 Long) Sears
7	1727831SM	2	SHOULDER BOLT, 7/16-14 x 1.07 Long GR5 Sears
8	1930650SM	6	NUT, 7/16-14 Hex Flange Lock Two Way Ga Black
9	1927120SM	4	SCREW, 7/16-14 x 2-1/4" Hex Head Cap, GR8 Black
10	1923141SM	4	SCREW, 5/16-18 x 2-3/4" Hex Head Cap, GR5 Black
11	1919326SM	6	WASHER, .312 (.34 I.D. x .75 O.D.)
13	1717024SM	1	CLIP, Rod End Clevis RH (for .188 Dia. Rod)
14	1733913SM	1	ROD, Tow Valve LH (.156 Dia. 5.05 Long)
15	1960268SM	1	BOLT, 3/8-16 x 1-1/4" Round Head Short Square Neck, Black
16	1960758SM	1	BOLT, 1/2-13 x 1-1/2" Round Head Short Square Neck, GR5 Black
17	1733305ASM	1	DRAWBAR- .250 Thick Sears- Black
18	1921719SM	2	SCREW, 5/16-18 x 2-1/2" Hex Head Cap, GR5 Black
19	1725550SM	1	CLIP, Rod End Clevis LH (for .188 Dia. Rod)
20	1733914SM	1	ROD, Tow Valve RH (.156 Dia. 5.05 Long)
21	1931277SM	6	NUT, 5/16-18 Hex Flange Lock, Small - Black
22	5020601SM	8	NUT, 1/2-20, (for Wheel Bolt) Silver
23	1733309ASM	1	SUPPORT, Transmission Center Sears -Black
24	1733351SM	1	TRANSMISSION- Hydro Gear EZT LH (ZC-AHBB-2A7B-1DPX)
25	1733352SM	1	TRANSMISSION- Hydro Gear EZT RH (ZC-DHBB-2A7C-1DPX)
26	1733302ASM	1	SUPPORT, Transmission Rear Sears -Black
27	1960687SM	3	NUT, 3/8-16 Hex Flange Nyloc
28	5025396SM	1	NUT, 1/2-13 Hex Flange Nyloc
29	1728976SM	1	SHOULDER BOLT, 5/16-18 GR5
30	1924874SM	1	WASHER, 5/16 Flat (.341 I.D. x .87 O.D. X .06 Thick) Black
31	1927557SM	1	NUT, 5/16-18 Hex Flange Lock Large Black
33	1732224SM	1	* V-BELT, Transmission Drive (HA Sect. 54.40 Effective Length)
34	1930645SM	2	NUT, 3/8-16 Hex Flange Lock Two Way Ga Black
35	1924356SM	2	WASHER
36	1921210SM	2	SCREW, 3/8-16 x 1" Hex Head Cap, GR5 Black
37	1734316SM	1	SPRING, Extension
38	1729007SM	1	SPACER (.387 I.D. x 1.50 O.D. x 1.04 Long (Powdered Metal) Yellow
39	1733303ASM	1	ARM, Idler (Transmission Drive) 7 Ga Sears Black
40	1721133SM	1	PULLEY, Idler
41	1924940SM	2	WASHER, .375 Flat (.41 I.D. x .87 O.D.)
42	1708352ASM	1	BELT GUIDE
43	1923701SM	1	SCREW, 3/8-16 x 2" Hex Head Cap, GR5
44	1931942SM	1	NUT, Push Pal, 3/8"
45	1960759SM	1	NUT, Push Pal, 1/2"

Footnotes

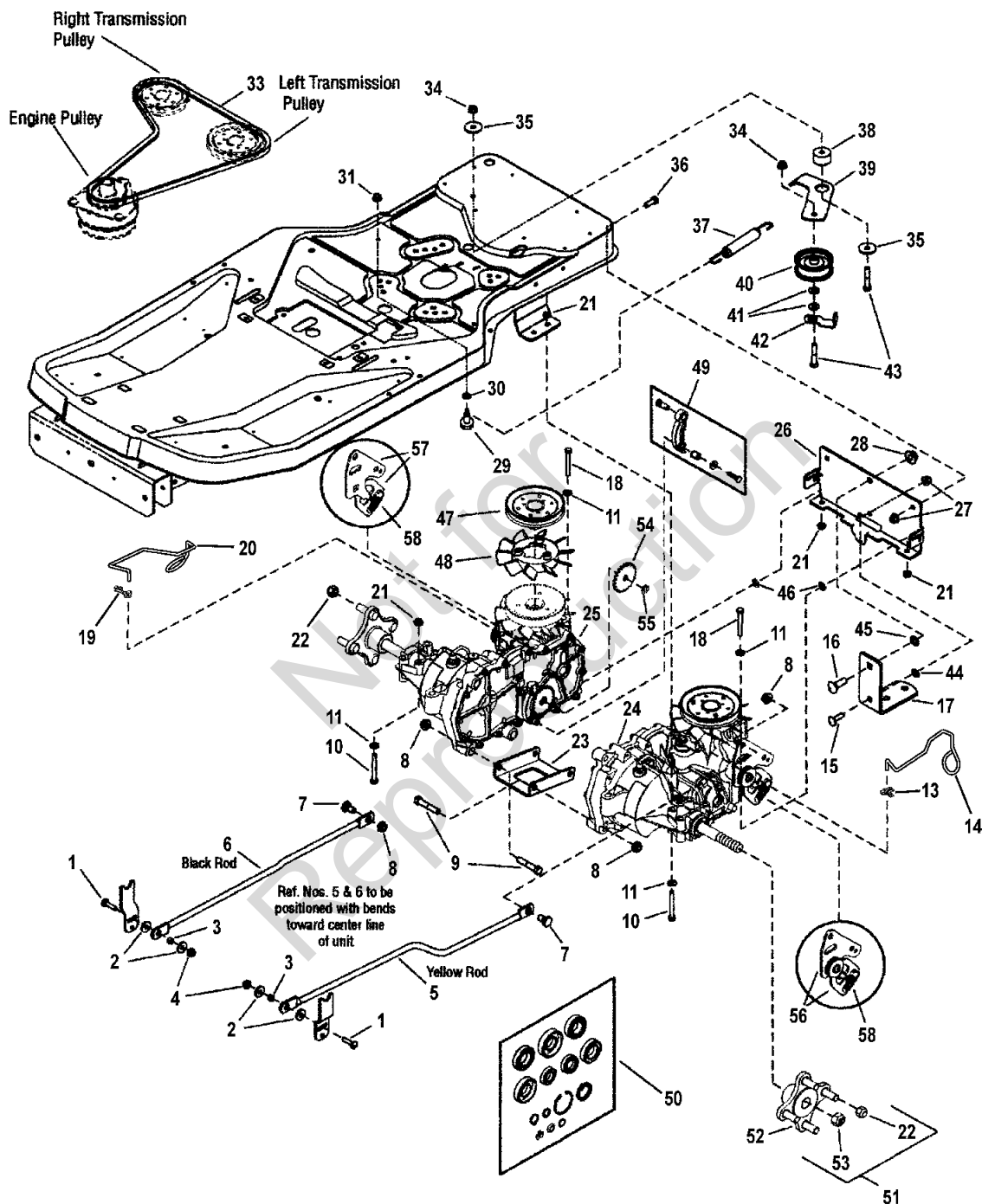
Note: * Part number printed on belt.

The above parts group applies to the following Mfg. Nos.:

7800360 - Axion
 7800374 - Axion
 7800375 - Axion
 7800380 - Axion
 7800381 - Axion
 7800382 - Axion

Transmission Group

NOTE: Unless noted otherwise, use the standard hardware torque specification chart.



The above parts group applies to the following Mfg. Nos.:

- 7800360 - Axion
- 7800374 - Axion
- 7800375 - Axion
- 7800380 - Axion
- 7800381 - Axion
- 7800382 - Axion

Transmission Group

REF NO	PART NO.	QTY.	DESCRIPTION
46	1933988SM	2	NUT, Push Pal .312 Dia. Thread .625 O.D. Black
47	1728073SM	2	PULLEY, 4-1/2" Transmission
48	1728074SM	2	FAN, 6" Transmission
49	1728075SM	1	BRAKE ARM & PIN, Hydro-Gear
50	1728060SM	1	KIT, Hydro Seal
51	1687283SM	2	KIT, Hub Replacement (Include Ref. No. 52, 53)
52	1733870SM	2	HUB, EZT Transmission (Included in Ref. No 51)
53	5020601SM	2	NUT, EZT Transmission (Included in Ref. No 51)
54	1728076SM	1	GEAR, Parking Brake, Transmission
55	1716622SM	1	CLIP, E Transmission Parking Brake
56	1735490SM	1	KIT, L.H. Control Arm
57	1735491SM	1	KIT, R.H. Control Arm
58	1735483SM	1	SPRING, Extension (Used on Hydro-Gear P/N ZC-AHBB-2A7B-1DPX and ZC-AHBB-2A7B-1DPX)

Not for
Reproduction

Footnotes

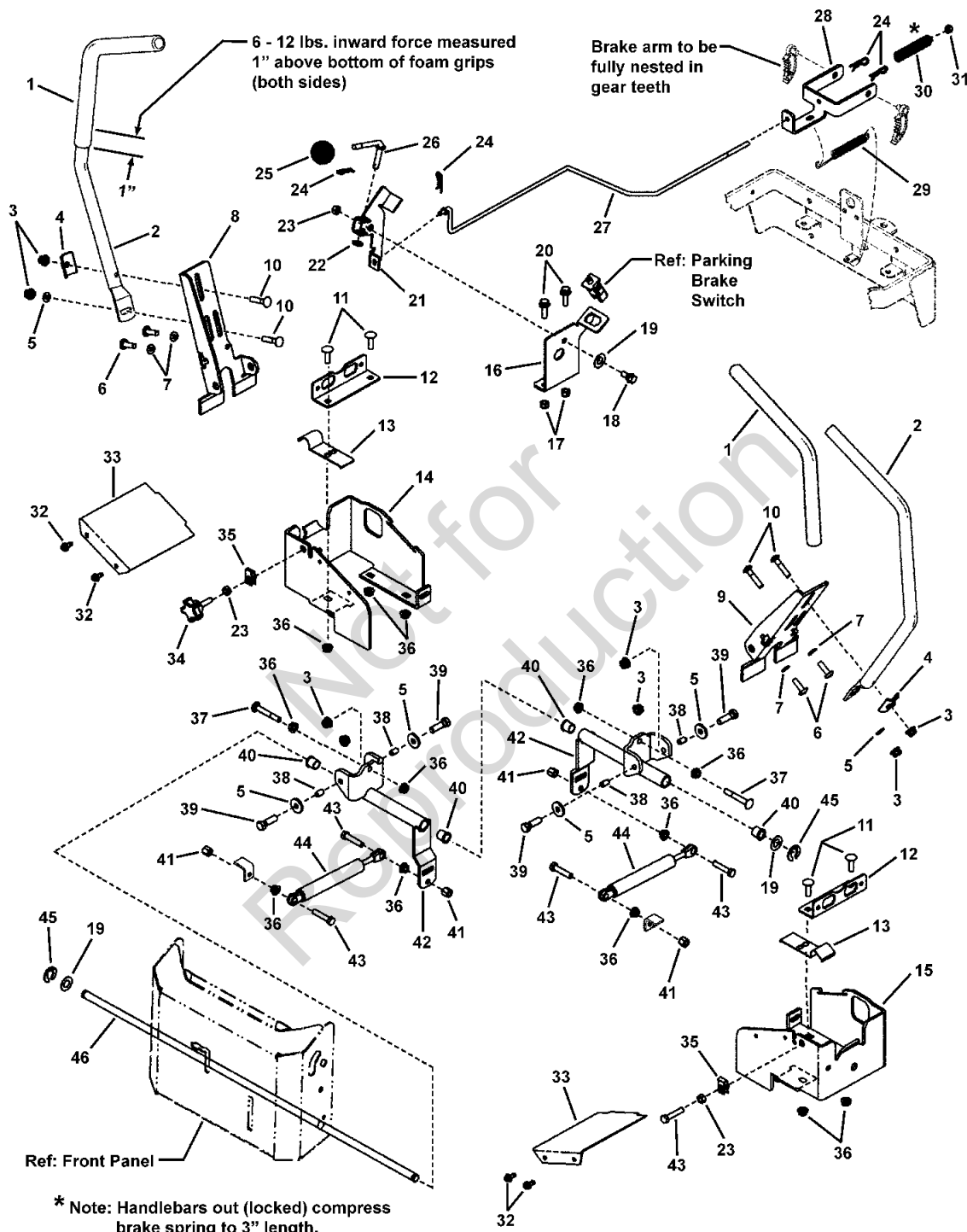
Note: * Part number printed on belt.

The above parts group applies to the following Mfg. Nos.:

7800360 - Axion
7800374 - Axion
7800375 - Axion
7800380 - Axion
7800381 - Axion
7800382 - Axion

Controls Group

NOTE: Unless noted otherwise, use the standard hardware torque specification chart.



The above parts group applies to the following Mfg. Nos.:

- 7800360 - Axion
- 7800374 - Axion
- 7800375 - Axion
- 7800380 - Axion
- 7800381 - Axion
- 7800382 - Axion

Controls Group

REF NO	PART NO.	QTY.	DESCRIPTION
1	1726410SM	2	GRIP, Foam Handle Bar Sears
2	1727796ASM	2	TUBE, Handle
3	1960686SM	10	NUT, 5/16-18 Hex Flange Nyloc
4	1720452SM	2	CLAMP, Tube, Saddle
5	1919381SM	6	WASHER, 5/16" Flat (.341 I.D. x 1.00 O.D. x .13 Thick) Black
6	1960086SM	4	SCREW, 5/16-18 x 7/8" Truss Head Torx, Black
7	1917356SM	4	LOCKWASHER, Spring 5/16" Black
8	1727926ASM	1	BRACKET, Tube Mount LH
9	1727927ASM	1	BRACKET, Tube Mount RH
10	1931338SM	4	BOLT, 5/16-18 x 1-3/4" Round Head Short Square Neck, GR5
11	1931335SM	4	BOLT, 5/16-18 x 1" Round Head Short Square Neck, GR5 Zinc
12	1727663ASM	2	BRACKET, "L" Switch
13	1727919SM	2	CLIP, Brake
14	1728010ASM	1	BRACKET, RH Mounting Handle Pivot
15	1728009ASM	1	BRACKET, LH Mounting Handle Pivot, Black
16	7300992ASM	1	BRACKET, Brake Pivot- ZT
17	7091298YP	3	NUT, 5/16-18-3B Hex Nyloc
18	7015761SM	1	SHOULDER BOLT, 5/16-18
19	1960027SM	3	WASHER, 1/2" Flat
20	7091591SM	2	BOLT, 5/16-18 x 1" Hex Flange Lock YZ
21	7300993ASM	1	ARM, Brake Pivot- ZT
22	7090188SM	1	WASHER, .34 x .69 x .08 Flat
23	1920161SM	7	NUT, 5/16-18 Hex Jam, Black
24	1722460SM	4	HAIR PIN
25	7072403SM	1	KNOB, w/5/16-18 NILN (Brake/Clutch)
26	7102567SM	1	ROD, Park Brake- ZT (5/16-18 thread)
27	7102551SM	1	ROD, Manual Parking Brake (1/4-20 threads)
28	1727814ASM	1	BRACKET, Dual Brake
29	1709314SM	1	SPRING, Extension
30	1729277SM	1	SPRING, Compression
31	1960694SM	1	NUT, 1/4-20 Hex Flange Nyloc Black
32	1925003SM	4	SCREW, 1/4-20 x 1/2" Hex Washer Head Screw Black (Taptite)
33	1727933ASM	2	COVER, Lower Handle
34	1726839SM	1	KNOB, 5/16-18 x 1-1/4" Extension Thread
35	1960717SM	2	NUT, 5/16-18 Speed (Lug Type .050/.200 Black)
36	1931277SM	8	NUT, 5/16-18 Hex Flange Lock, Small - Black
37	1960723SM	2	BOLT, 5/16-18 x 2-1/4" Round Head Square Neck, GR5 Black
38	1666697SM	4	SPACER, Powdered Metal
39	1921977SM	5	SCREW, 5/16-18 x 1-1/4" Hex Head Cap, GR5 Black
40	1715025SM	4	BUSHING
41	1919438SM	4	NUT, 5/16-18 Hex Lock Esna Light
42	1727603ASM	2	WELDMENT, Pivot Control
43	1921221SM	4	SCREW, 5/16-18 x 1-1/2" Hex Head Cap, GR5 Black

Footnotes

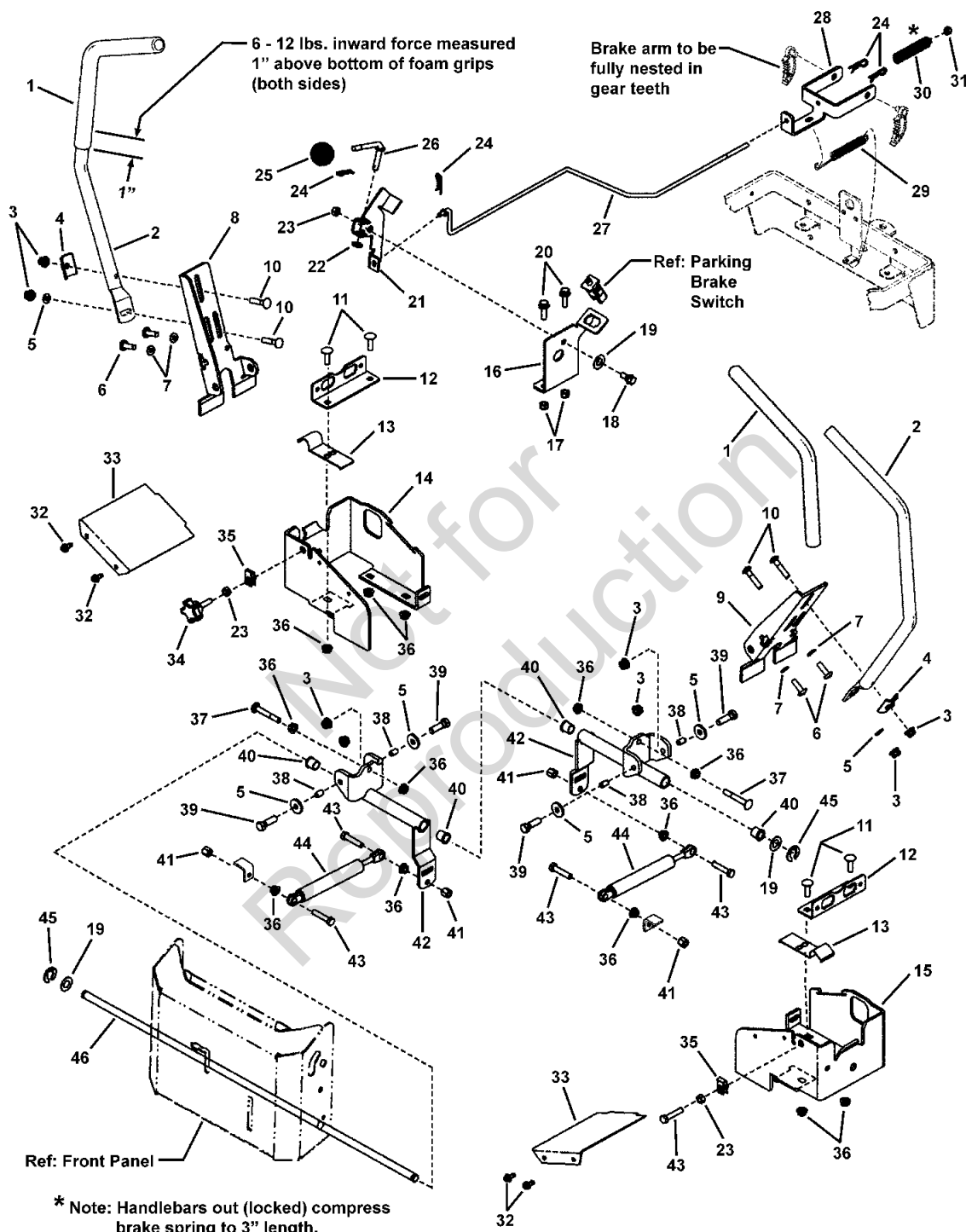
The above parts group applies to the following Mfg. Nos.:

7800360 - Axion
 7800374 - Axion
 7800375 - Axion
 7800380 - Axion
 7800381 - Axion
 7800382 - Axion

Controls Group

825contr

NOTE: Unless noted otherwise, use the standard hardware torque specification chart.



The above parts group applies to the following Mfg. Nos.:

- 7800360 - Axion
- 7800374 - Axion
- 7800375 - Axion
- 7800380 - Axion
- 7800381 - Axion
- 7800382 - Axion

Controls Group

REF NO	PART NO.	QTY.	DESCRIPTION
44	1727918SM	2	SHOCK ABSORBER
45	1703805SM	2	RING, Klipring Extension (for .500 Dia. Shaft)
46	1725927SM	1	SHAFT, Cross

Not for
Reproduction

Footnotes

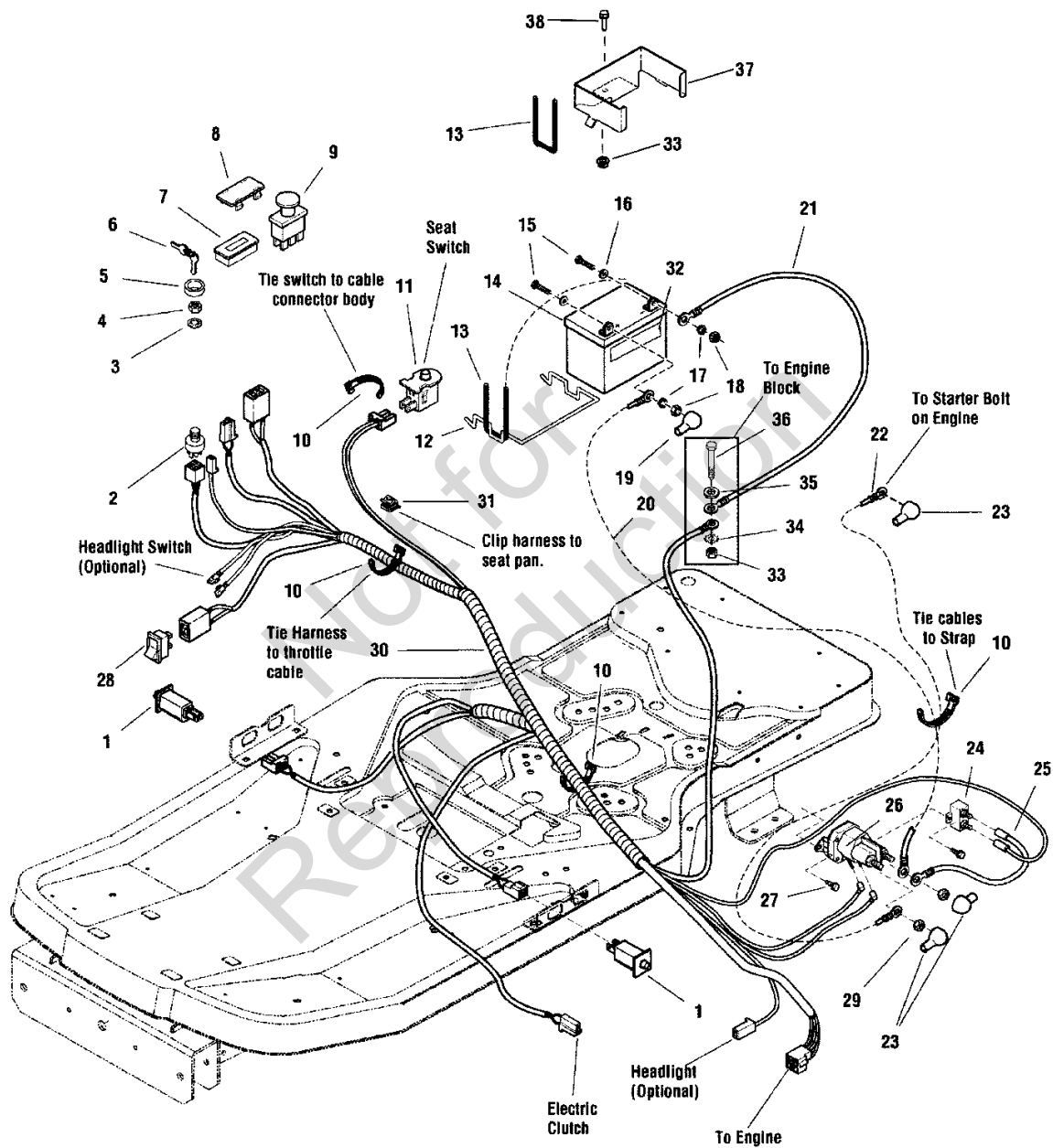
The above parts group applies to the following Mfg. Nos.:

7800360 - Axion
7800374 - Axion
7800375 - Axion
7800380 - Axion
7800381 - Axion
7800382 - Axion

Electrical Group

825elect

NOTE: Unless noted otherwise,
use the standard hardware torque
specification chart.



The above parts group applies to the following Mfg. Nos.:

- 7800360 - Axion
- 7800374 - Axion
- 7800375 - Axion
- 7800380 - Axion
- 7800381 - Axion
- 7800382 - Axion

Electrical Group

REF NO	PART NO.	QTY.	DESCRIPTION
1	7022886SM	3	SWITCH, Push Button (NO/NC) Snap-In or 1732006
2	1716061SM	1	SWITCH ASSEMBLY, Ignition
3	1960547SM	1	LOCKWASHER, Internal Tooth 5/8" Thin
4	1717549SM	1	NUT, 5/8-32 Hex Flange (Ignition Switch Die Cast)
5	1717550SM	1	COVER, Ignition Switch
6	1717163SM	1	KEYS (set of two)
7	1731185SM	1	HOUR METER, No Alarms
8	1722611SM	1	PLUG, Hole (Black Plastic)
9	1722887SM	1	SWITCH, PTO, Push/Pull Symbols
10	1701011SM	4	TIE, Self Locking, .184 Wide 7.31 Long
11	7023354YP	1	SWITCH, Push Button (NC) or 1732005
12	1667805SM	1	BRACE, Battery, .19 Dia. Wire
13	1665872SM	1	STRAP, Black Rubber, .19 Square 7.88 O.D. Battery
14	1685215SM	1	BATTERY, 12 Volt, 230 CCA
15	2823341SM	2	SCREW, 1/4-20 x 3/4" Hex Head Cap, GR5
16	2821319SM	2	WASHER, 1/4, .27 I.D. x .62 O.D. x .05 Thick
17	2816964SM	2	WASHER, 1/4" Spring Lock
18	2816622SM	2	NUT, 1/4-20 Hex
19	1677296SM	1	BOOT, Insulator, Red PVC Warning
20	1716549SM	1	CABLE, #6 x 10 Long, Red Two-Ring Terminals
21	1713163SM	1	CABLE, # 6 x 26 Long Two-Ring Terminals
22	1727668SM	1	CABLE, #6 x 15 Long, Two-Ring Terminals
23	1724588SM	3	COVER, Terminal Red PVC
24	1665238SM	1	BREAKER, Circuit 12 Volt 20 AMP
25	1665237SM	1	WIRE, 12 Gage
26	7075622SM	1	SOLENOID, Super Trombetta - 2 Terminal
27	1925003SM	2	SCREW, 1/4-20 x 1/2" Hex Washer Head Screw Black (Taptite)
28	1734141SM	1	SWITCH, Electric Height-of-Cut
29	2860750SM	1	NUT, 5/16-24 Hex Keps
30	7102581SM	1	HARNESS, Wiring
31	2172434SM	2	CLIP, Cable, .390 Wire Dia.
32	1730185SM	1	DECAL, Danger Poison
33	1931277SM	2	NUT, 5/16-18 Hex Flange Lock, Small - Black
34	2820427SM	1	WASHER, 3/8" External Tooth Lock
35	1919326SM	1	WASHER, .312 (.34 I.D. x .75 O.D.)
36	1921978SM	1	SCREW, 5/16-18 x 2" Hex Head Cap
37	1735351ASM	1	BRACKET, Battery Hold Down used on 33" Deck Models
38	7091905SM	1	BOLT, 5/16-18 x 7/8" Hex Flange Lock

Footnotes

The above parts group applies to the following Mfg. Nos.:

7800360 - Axion

7800382 - Axion

7800374 - Axion

7800375 - Axion

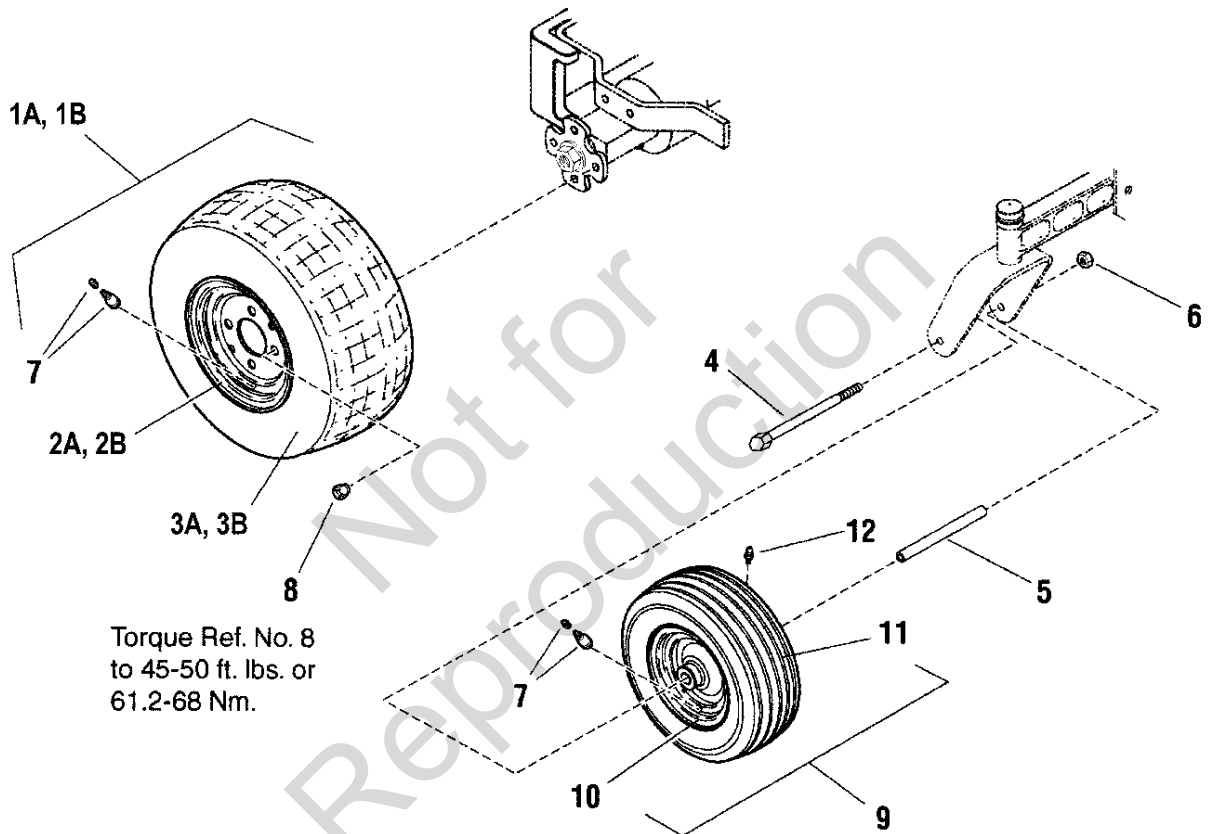
7800380 - Axion

7800381 - Axion

Wheel & Tire Group

825wheel

NOTE: Unless noted otherwise,
use the standard hardware torque
specification chart.



The above parts group applies to the following Mfg. Nos.:

7800360 - Axion

7800382 - Axion

7800374 - Axion

7800375 - Axion

7800380 - Axion

7800381 - Axion

Wheel & Tire Group

REF NO	PART NO.	QTY.	DESCRIPTION
1A	7050539SM	2	ASSY, Wheel & Tire, 18 x 6.50-8 "Turf-Master" (incl. 2A & 3A) used on ZT18533 & CZT18533
2A	7078114SM	1	RIM, 8 x 6.50, 4 Hole
3A	7078119SM	1	TIRE, 18 x 6.50 "Turf-Master"
1B	1726383SM	2	ASSY, Wheel & Tire, 18 x 8.50-8 "Superturf" (incl. 2B & 3B) used on ZT2142, CZT2142, ZT2650 & CZT2650
2B	--	1	RIM, 18 x 8.50-8, 4 Hole
3B	--	1	TIRE, 18 x 8.50 4 Ply "Superturf"
4	7091772SM	2	SCREW, 7/16-14 x 6" Hex Head Cap, GR5
5	1734841SM	2	TUBE, Caster
6	7090839SM	2	NUT, 7/16-14 Hex Center Lock
7	7012234SM	4	AIR VALVE STEM (w/cap) or 7012234
8	5020601SM	8	NUT, 1/2-20 for Wheel Bolt- Silver
9	1734013SM	2	ASSY, Wheel & Tire 11 x 4-5 (Caster) (also includes Air Valve, Grease Fitting & 2 Bushings)
10	1734876SM	1	RIM w/Bushings
11	1734875SM	2	TIRE, 11 x 4-5
12	2812808SM	1	LUBE FITTING, 1/4-28 Taper

Not for
Reproduction

Footnotes

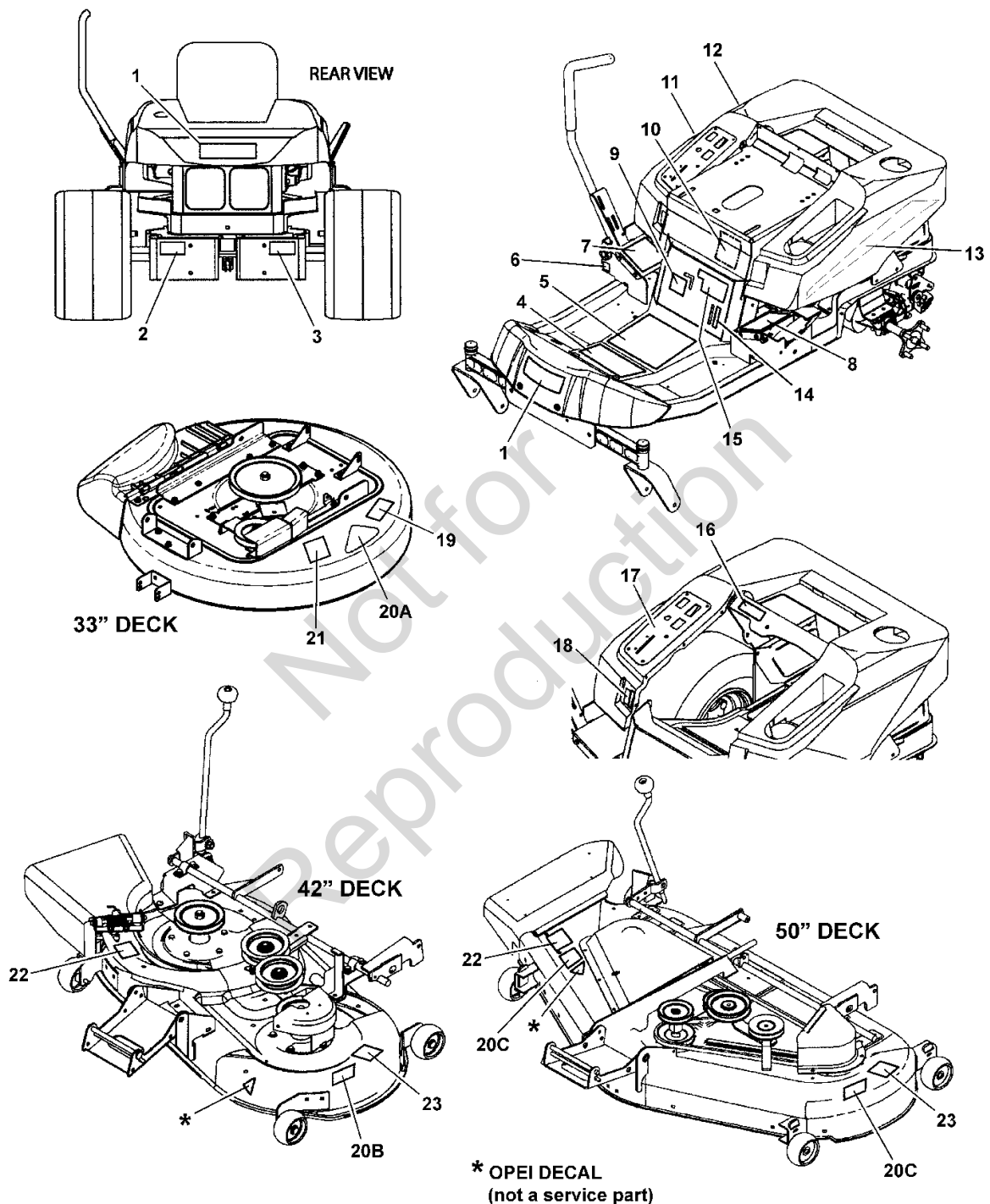
The above parts group applies to the following Mfg. Nos.:

7800360 - Axion
7800374 - Axion
7800375 - Axion
7800380 - Axion
7800381 - Axion
7800382 - Axion

Decal Group

825decal

NOTE: Unless noted otherwise,
use the standard hardware torque
specification chart.



The above parts group applies to the following Mfg. Nos.:

- 7800360 - Axion
- 7800374 - Axion
- 7800375 - Axion
- 7800380 - Axion
- 7800381 - Axion
- 7800382 - Axion

Decal Group

REF NO	PART NO.	QTY.	DESCRIPTION
1	1722551SM	2	DECAL, Simplicity Logo
2	1734672SM	1	DECAL, Caution Cut Hazard
3	1734532SM	1	DECAL, Transmission Release ZTS Export
4	7102575SM	1	DECAL, Handles Operation
5	7102574SM	1	DECAL, Operator Instructions
6	1726638SM	1	DECAL, Tracking Adjustment ZT 7000
7	7102576SM	1	DECAL, RH Handle
8	1734270SM	1	DECAL- LH Handle Control ZTS 7500
9	7102578SM	1	DECAL, Parking Brake, ZT
10	7102588SM	1	DECAL, Belt/Blade 33" ZT
10	1734184SM	1	DECAL, Belt/Blade ZT
11	1734273SM	1	DECAL, Hot Surfaces
12	1734339SM	1	DECAL, Simplicity-RH Stripe ZT 2007
13	1734338SM	1	DECAL, Simplicity-LH Stripe ZT 2007
14	1733458SM	1	DECAL, Height-Of-Cut
15	1735384SM	1	DECAL, Axion 18.5 HP Simplicity ZT
15	7102580SM	1	DECAL, Axion 21 HP Simplicity ZT
15	7102599SM	1	DECAL, Axion 26 HP Simplicity ZT
16	1726631SM	1	DECAL, Do Not Remove Foam Around Engine
17	1734272SM	1	DECAL, Instrument Panel SEARS ZTS 7500
18	1734276SM	1	DECAL, Mower Cutting Height ZTS 7500
19	7101665YP	2	DECAL, Danger Do Not Operate w/o Deflector
20A	7022991SM	1	DECAL, 33" Hi-Vac
20B	1731924SM	1	DECAL, 42" 2006 Silver/Black
20C	1722790SM	1	DECAL, 50" Silver on Black w/Stripe
21	7100984YP	1	DECAL, Warning/Danger
22	1704277SM	1	DECAL, Danger Do Not Operate w/o Deflector
23	1704276SM	1	DECAL, Danger Do Not Put Hands/Feet in Mower
24	7102746SM	1	DECAL, Spark Arrestor (not shown) used on California Models

Footnotes

The above parts group applies to the following Mfg. Nos.:

7800360 - Axion

7800382 - Axion

7800374 - Axion

7800375 - Axion

7800380 - Axion

7800381 - Axion

Wiring Schematic

REF NO	PART NO.	QTY.	DESCRIPTION
1	7102581SM	1	HARNESS, Wiring

Not for
Reproduction

Footnotes

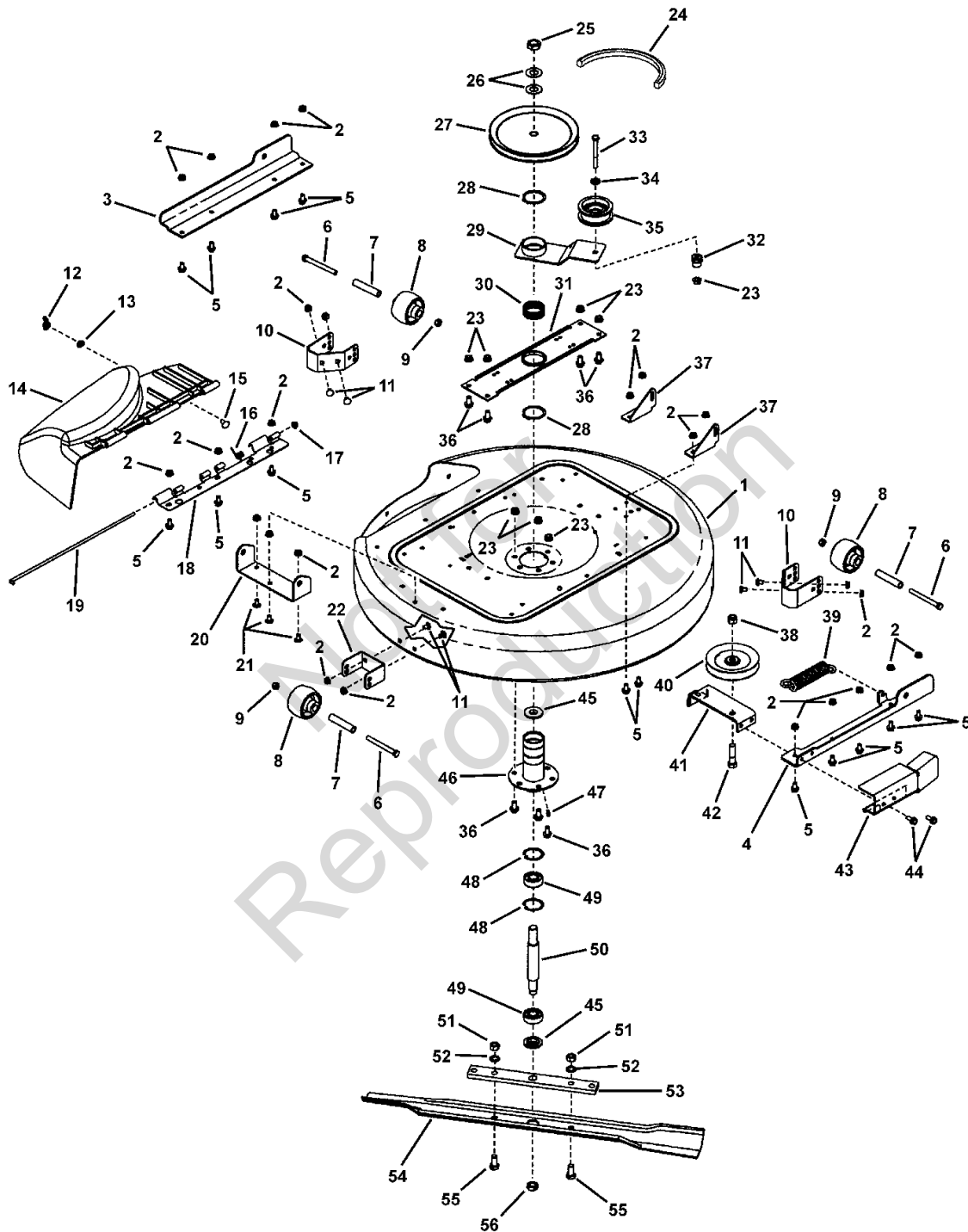
The above parts group applies to the following Mfg. Nos.:

7800360 - Axion
7800374 - Axion
7800375 - Axion
7800380 - Axion
7800381 - Axion
7800382 - Axion

33" Mower Deck Group

825mwrdk

NOTE: Unless noted otherwise,
use the standard hardware torque
specification chart.



The above parts group applies to the following Mfg. Nos.:

7800360 - Axion

7800380 - Axion

33" Mower Deck Group

REF NO	PART NO.	QTY.	DESCRIPTION
1	1735349CSM	1	DECK, 33" Mower
2	7091601SM	19	NUT, 5/16-18 Hex Flange Lock, GR5
3	7300962ASM	1	RAIL, 33" Side - RH
4	7300963ASM	1	RAIL, 33" Side - LH
5	7091811SM	16	BOLT, 5/16-18 x 5/8" Hex Flange Lock
6	7091532SM	3	SCREW, 3/8-24 x 3/4" Hex Head Cap, GR5
7	7015272SM	3	SPACER, 3" Long
8	7019190SM	3	WHEEL, Gage
9	7090289SM	3	NUT, 3/8-24 Hex Center Lock GR5 or B
10	7033571SM	2	BRACKET, Anti-Scalp Side Adjust
11	7090731SM	6	BOLT, 5/16-18 x 1/2" Round Head Short Square Neck, GR 5
12	7090492SM	2	WING NUT, 5/16-18, Type C, Style 1
13	7090188SM	2	WASHER, .34 x .69 x .08 Flat
14	7026233SM	1	DEFLECTOR, Discharge, 28"/33"
15	7091508SM	2	BOLT, 5/16-18 x 3/4" Round Head Short Square Neck, GR5
16	7016341SM	1	SPRING, Hinge
17	7026483SM	1	PUSH NUT (for 1/4" Rod)
18	7300886ASM	1	HINGE, Plastic Side Chute
19	7026234SM	1	ROD, Chute
20	1734766ASM	1	BRACKET, Mower Front
21	7090799SM	3	BOLT, 5/16-18 x 5/8" Round Head Short Square Neck, GR5
22	7033570SM	1	BRACKET, Anti-Scalp Front Adjust
23	7091619SM	8	NUT, 3/8-16 Hex Flange Lock
24	7102246SM	1	* BELT, 33" Deck Drive (HB Section, 74.97 Effective Length)
25	1922015SM	1	NUT, 3/4-16 Hex Jam
26	7032027SM	2	WASHER, .77 x 1.5 x .06 Flat
27	7102173SM	1	PULLEY, 33" ZT Spindle
28	7010740SM	2	RETAINING RING, 2" External
29	1735020ASM	1	WELDMENT, Idler Arm
30	7012670SM	1	TOLERANCE RING, 2.0
31	7038018ASM	1	BRACE, Spindle
32	1706644SM	1	SPACER, .380/.377 I.D. x .750 O.D. x .970 Long
33	1921973SM	1	SCREW, 3/8-16 x 3-1/4" Hex Head Cap, GR5
34	1924940SM	1	WASHER, .375 Flat (.41 I.D. x .87 O.D.)
35	1721133SM	1	PULLEY, Idler
36	7091588SM	7	BOLT, 3/8-16 x 3/4" Hex Flange Lock, GR5
37	1734765ASM	2	BRACKET, Deck Pick-Up
38	7091922	1	NUT, 1/2-13 Hex Nyloc Light
39	1715435SM	1	SPRING
40	3021097SM	1	PULLEY, Steel Idler
41	7300961ASM	1	BRACKET, Pulley Mounting 33" ZT
42	7900065SM	1	SCREW, 1/2-13 x 2" Hex Head Cap, GR5
43	7300999ASM	1	GUARD, Idler Pulley, 33" ZT

Footnotes

Note: * Part number printed on belt.

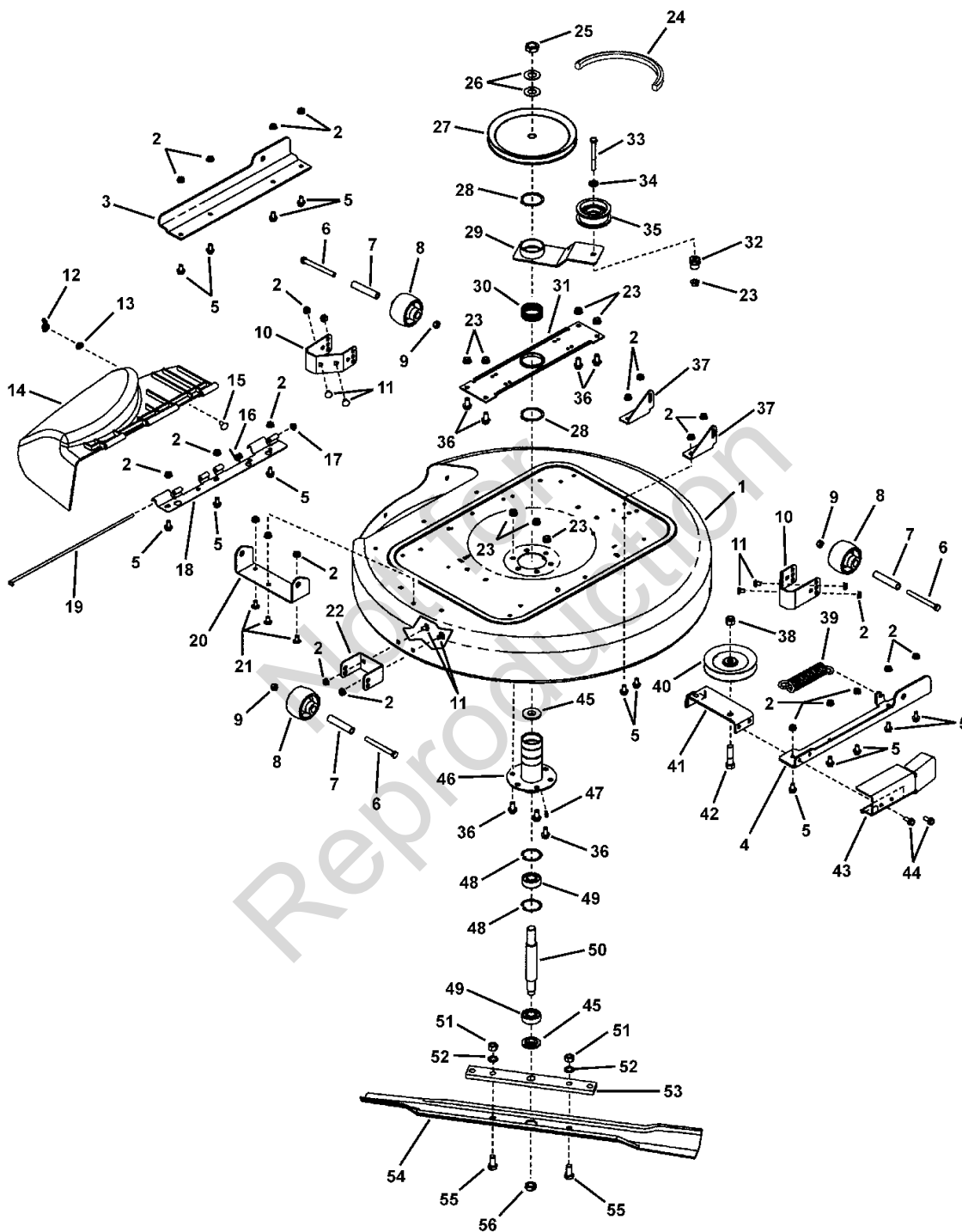
The above parts group applies to the following Mfg. Nos.:

7800360 - Axion
7800380 - Axion

33" Mower Deck Group

825mwrdk

NOTE: Unless noted otherwise,
use the standard hardware torque
specification chart.



The above parts group applies to the following Mfg. Nos.:

7800360 - Axion

7800380 - Axion

33" Mower Deck Group

REF NO	PART NO.	QTY.	DESCRIPTION
44	1664847SM	2	SCREW, 5/16-18 x 3/4" Hex Washer Self-Tap
45	7014407SM	2	WASHER, Spindle
46	7047962ASM	1	WELDMENT, Spindle Housing
47	7010817SM	1	LUBE FITTING, 3/16" Press-In
48	7012491SM	2	RING, 1.85" Internal Retaining
49	7013313SM	2	BEARING, Spindle
50	7024687ASM	1	SHAFT, Spindle
51	7091939SM	2	NUT, 1/2-20 Hex
52	7090509SM	2	WASHER, 1/2" Internal Tooth Lock
53	7037751ASM	1	HOLDER, Blade
54	7034168SM	1	BLADE, 33" High Lift
55	7090491SM	4	SCREW, 1/2-20 x 1-1/4" Hex Head Cap, GR5
56	7090356SM	1	NUT, 5/8-18 Hex Center Lock Jam

Not for
Reproduction

Footnotes

Note: * Part number printed on belt.

The above parts group applies to the following Mfg. Nos.:

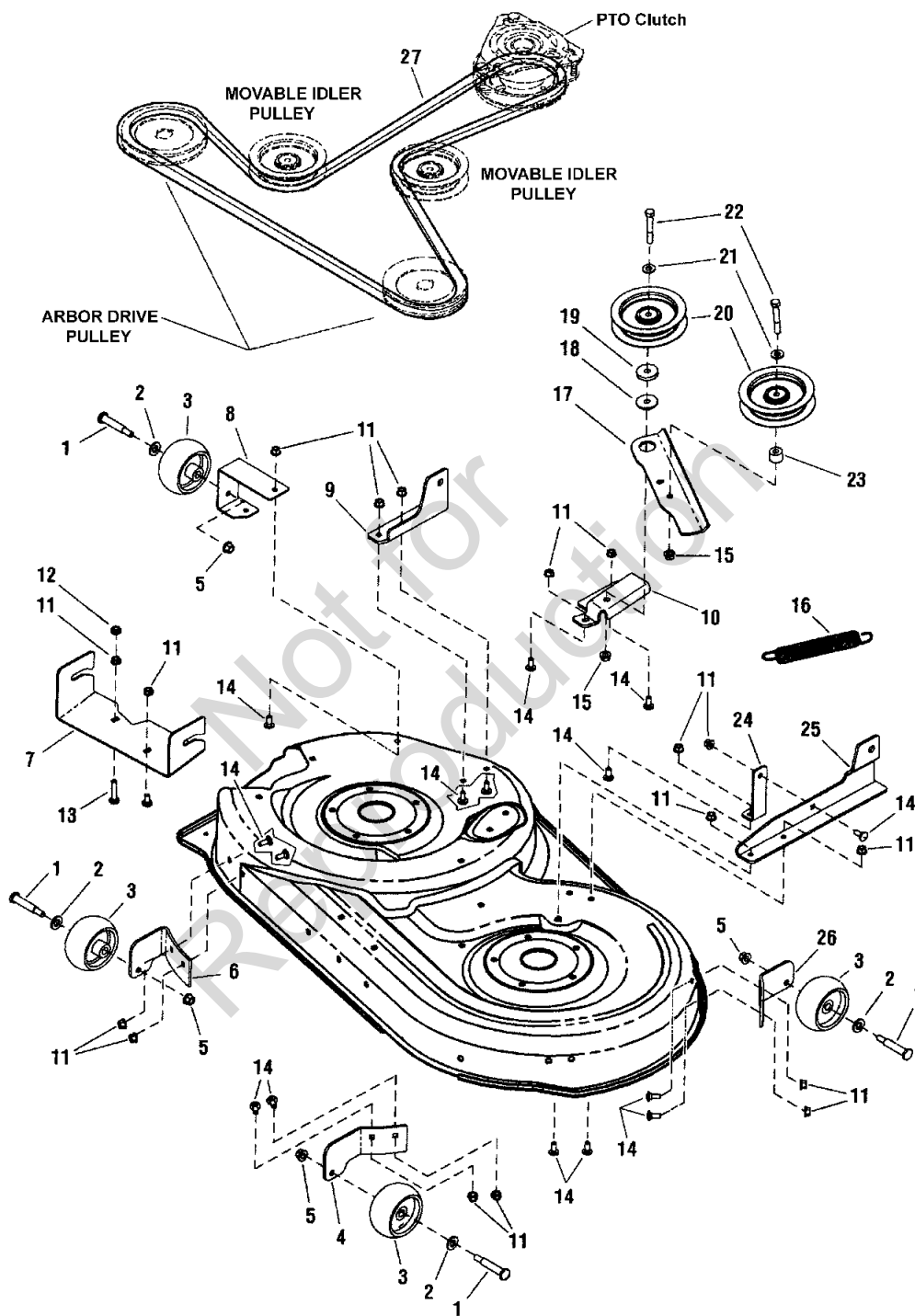
7800360 - Axion

7800380 - Axion

42" Mower Deck - Clutch & Support Group

825csg42

NOTE: Unless noted otherwise,
use the standard hardware torque
specification chart.



The above parts group applies to the following Mfg. Nos.:

7800374 - Axion

7800381 - Axion

42" Mower Deck - Clutch & Support Group

REF NO	PART NO.	QTY.	DESCRIPTION
1	2108765SM	4	BOLT, Shoulder (Gage Wheel) 3/8-16 x 2.781 x 3/4"
2	1960170SM	4	WASHER, .51 I.D. x 1.0 O.D. x .10 Thick
3	1714760SM	4	WHEEL, Gage (2" Wide, 3.92 Dia.)
4	1732258ASM	1	BRACKET, Gage Wheel L.H. Front
5	1960687SM	4	NUT, 3/8-16 Hex Flange Nyloc
6	1734344ASM	1	BRACKET, Gage Wheel R.H. Front
7	1733578ASM	1	HITCH, Mower Front
8	1734185ASM	1	BRACKET, Gage Wheel R.H. Rear
9	1733576ASM	1	SUPPORT, Mower Rear R.H.
10	1734242ASM	1	BRACKET, Fixed Idler
11	1931277SM	17	NUT, 5/16-18 Hex Flange Lock, Small - Black
12	1935048SM	1	NUT, 5/16-18 Hex Two-Way Lock
13	1931338SM	1	BOLT, 5/16-18 x 1-3/4" Round Head Short Square Neck, GR5
14	1931333SM	16	BOLT, 5/16-18 x 3/4" Round Head Short Square Neck, GR5
15	1931211SM	2	NUT, 3/8-16 Hex Flange Whizlock, GR F
16	1733844SM	1	SPRING, Extension
17	1734243ASM	1	ARM, Idler
18	1714255SM	1	SPACER, .406 I.D. x 1.50 O.D. x .350 Thick, Powdered Metal
19	1960534SM	1	WASHER, 3/8 (.41 I.D. x 1.50 O.D. x .25 Thick)
20	1732360SM	2	PULLEY, Idler, 4" O.D. x .378 I.D. x 1"
21	1924940SM	2	WASHER, .3/8 (.41 I.D. x .87 O.D. x .08 Thick)
22	1922130SM	2	SCREW, 3/8-16 x 2-1/4" Hex Head Cap, GR5
23	1667812SM	1	SPACER (.390 x .900 x .70 Thick)
24	1733577ASM	1	BRACE, Mower Support
25	1733575ASM	1	SUPPORT, Mower Rear L.H.
26	1731403SM	1	BRACKET, Gage Wheel L.H. Rear
27	1732966SM	1	V-BELT, A Wedge 98.00 Effective Length, Belt Sect. HA (Not Shown)

Footnotes

The above parts group applies to the following Mfg. Nos.:

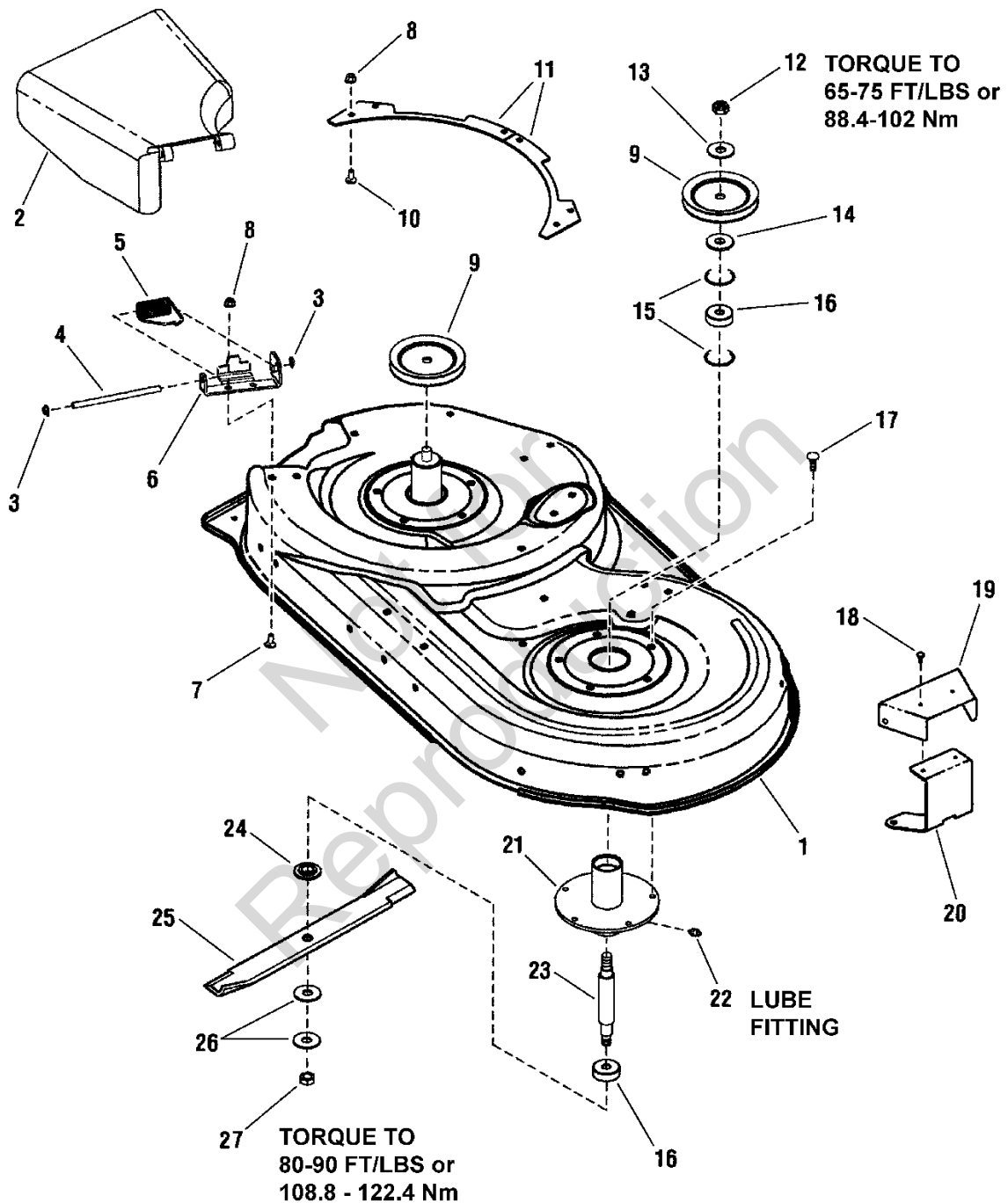
7800374 - Axion

7800381 - Axion

42" Mower Deck - Housing & Arbor Group

825hag42

NOTE: Unless noted otherwise,
use the standard hardware torque
specification chart.



The above parts group applies to the following Mfg. Nos.:

7800374 - Axion

7800381 - Axion

42" Mower Deck - Housing & Arbor Group

REF NO	PART NO.	QTY.	DESCRIPTION
1	1687280SM	1	HOUSING, 42" Deck (Smi Orange)
2	094707MA	1	ASSEMBLY, Deflector Chute
3	1960093SM	2	PUSH NUT, 3/8" Pal Cap
4	094957ZMA	1	ROD, Deflector
5	0166X4MA	1	SPRING, Torsion
6	094956E701MA	1	BRACKET, Hinge
7	1931333SM	5	BOLT, 5/16-18 x 3/4" Round Head Short Square Neck, GR5
8	1960686SM	6	NUT, 5/16-18 Hex Flange Nyloc
9	1732354SM	2	PULLEY, Drive, 5-1/2"
10	1931335SM	6	BOLT, 5/16-18 x 1" Round Head Short Square Neck, GR5
11	092426E701MA	2	PLATE, Rear
12	1922014SM	2	NUT, 5/8-18 Hex Jam
13	7016440SM	2	WASHER, 5/8" Bellville
14	7072440SM	2	SPACER, Pulley
15	7012491SM	4	RING, 1.85" Internal Retaining
16	7013313SM	4	BEARING, Spindle
17	1923683SM	10	SCREW, 3/8-16 x 3/4" Hex Taptite
18	1925003SM	2	SCREW, 1/4-20 x 1/2" Hex Washer Head Screw Black (Taptite)
19	1732832ASM	1	COVER, Pulley
20	1732282ASM	1	BRACKET, Arbor Guard
21	1731372ASM	2	WELDMENT, Spindle Housing
22	1704314SM	2	LUBE FITTING, .250 Drive Type
23	7072537SM	2	SHAFT, Spindle
24	1731917SM	2	WASHER, Spindle Blade, Powdered Metal
25	1731898SM	2	BLADE, 19.64
26	7024467SM	4	WASHER, 9/16" Bellville
27	7091633SM	2	NUT, 9/16-18 Hex, GR B

Footnotes

The above parts group applies to the following Mfg. Nos.:

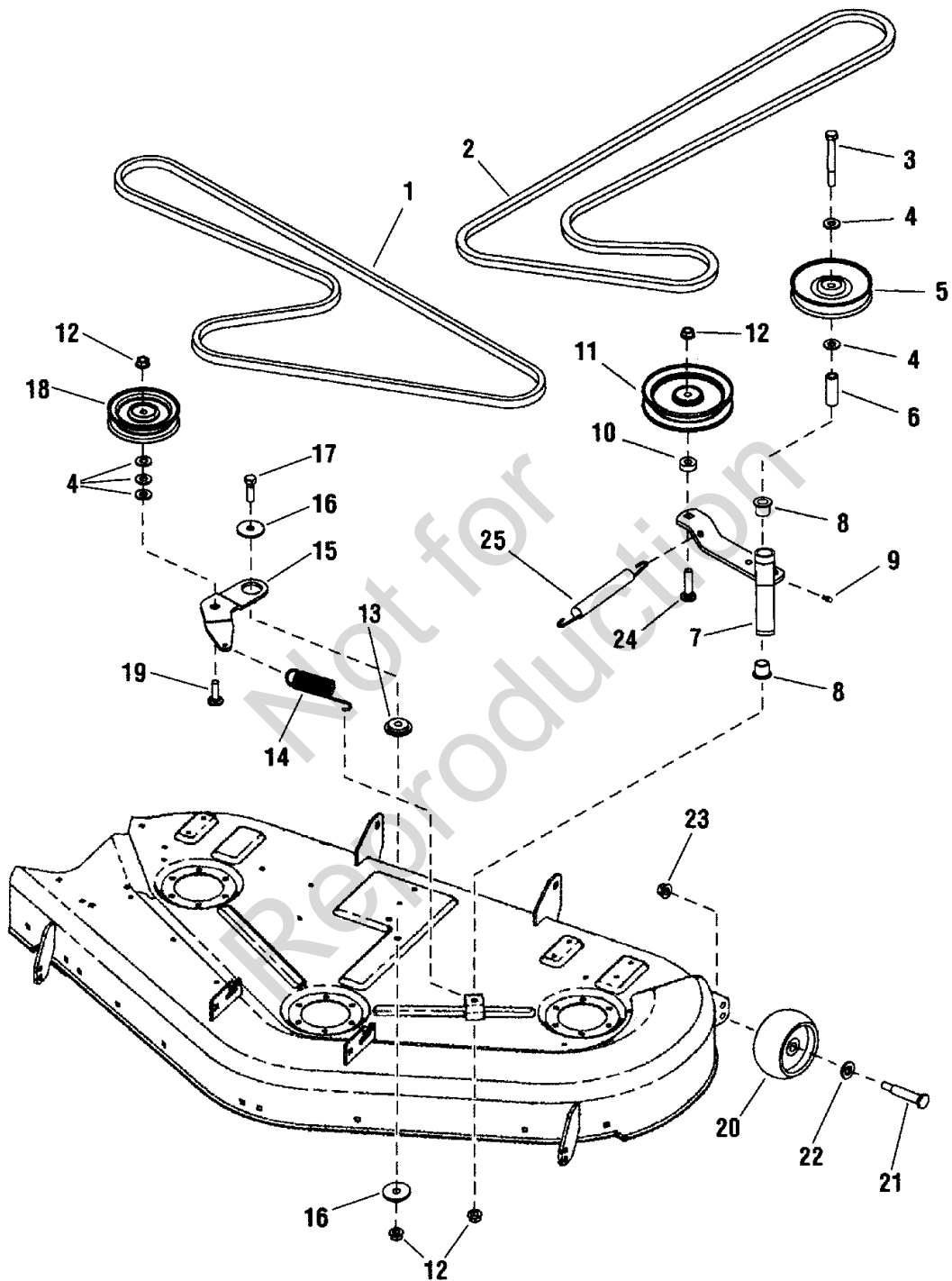
7800374 - Axion

7800381 - Axion

50" Mower Deck - Clutch & Support Group

825csg50

NOTE: Unless noted otherwise,
use the standard hardware torque
specification chart.



The above parts group applies to the following Mfg. Nos.:

7800375 - Axion

7800382 - Axion

50" Mower Deck - Clutch & Support Group

REF NO	PART NO.	QTY.	DESCRIPTION
1	1732204SM	1	* V-BELT (HA Sect., 91.10 Effective Length) Kevlar
2	1734131SM	1	* V-BELT (HA sect., 73.12 Effective Length)
3	1922918SM	1	SCREW, 3/8-16 x 3-1/4" Hex Head Cap, GR5
4	1924940SM	6	WASHER, .375 Flat (.41 I.D. x .87 O.D.)
5	2101096SM	1	PULLEY, 4-1/2" O.D. .375 I.D. .63 Groove
6	1657242SM	1	SPACER
7	1726814SM	1	ASSEMBLY, Idler Arm (includes next 3 items)
7	1726815ASM	1	WELDMENT, Idler Arm
8	1676148SM	2	BUSHING, .628 I.D. x .751 O.D. x .40 Long Powdered Metal
9	2812808SM	1	LUBE FITTING, 1/4-28 Taper
10	1667811SM	1	SPACER, .390 I.D. x .90 O.D. x .34 Long, Powdered Metal
11	2171247SM	1	PULLEY, Idler 5.000 O.D. x .375 I.D.
12	1960339SM	4	NUT, 3/8-16 Hex Large Flange
13	1714255SM	1	SPACER, .406 I.D. x 1.50 O.D. x .350 Thick Powdered Metal
14	1656936SM	1	SPRING, Extension
15	1733465ASM	1	ARM, Idler
16	1924356SM	2	WASHER, 3/8" Flat
17	1920415SM	1	SCREW, 3/8-16 x 1-1/4" Hex Head Cap, GR5 Black
18	1724387SM	1	PULLEY, Idler
19	1931337SM	1	BOLT, 5/16-18 x 1-1/2" Round Head Short Square Neck, GR5
20	1714760SM	4	WHEEL, Gage (2" Wide, 3.92 Dia.)
21	2108765SM	4	BOLT, Shoulder (Gage Wheel) 3/8-16 x 2.781 x 3/4"
22	1960170SM	4	WASHER, 1/2" Flat (0.51 I.D. x 1.00 O.D. x .10 Thick)
23	1960687SM	4	NUT, 3/8-16 Hex Flange Nyloc
24	1931353SM	1	BOLT, 3/8-16 x 1-3/4" Round Head Short Square Neck
25	1714062SM	1	SPRING, Extension .720 O.D. x 8.05 Long .102 wire

Footnotes

Note: * Part number printed on belt.

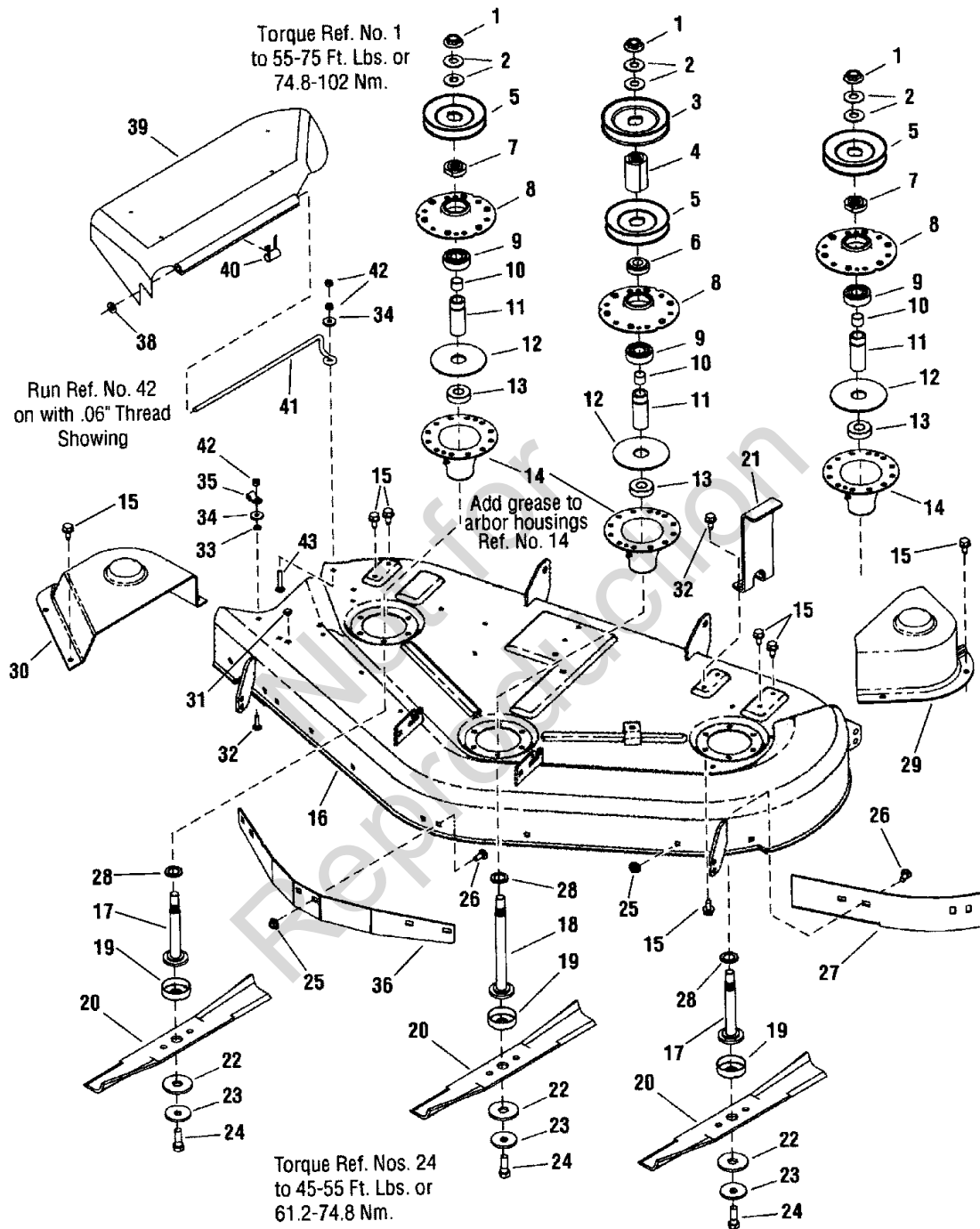
The above parts group applies to the following Mfg. Nos.:

7800375 - Axion
7800382 - Axion

50" Mower Deck - Housing & Arbor Group

825hag50

NOTE: Unless noted otherwise,
use the standard hardware torque
specification chart.



The above parts group applies to the following Mfg. Nos.:

- 7800375 - Axion
- 7800382 - Axion

50" Mower Deck - Housing & Arbor Group

REF NO	PART NO.	QTY.	DESCRIPTION
1	1714419SM	3	NUT, 9/16-18 Hex Flange (non-locking)
2	1713675SM	6	WASHER, Belleville
3	1732951SM	1	PULLEY, Deep Groove, 4.6
4	1713158SM	1	HUB, Double Pulley
5	1713098SM	3	PULLEY
6	1713533SM	1	HUB, Double Pulley
7	1713197SM	2	HUB, Pulley, Center & R.H.
8	1655729ASM	3	HOUSING, Arbor Top
9	7013313SM	3	BEARING, Spindle
10	1715724SM	3	SPACER, Bearing Sleeve
11	1732544SM	3	SPACER, Powdered Metal
12	1707335SM	3	GASKET, Foam Poly
13	1705897SM	3	BALL BEARING, 11/16 x 1-9/16 x 15/32 Long
14	1713338ASM	3	HOUSING, Arbor Bottom w/Lube Fitting includes 1704314 Lube Fitting
15	7090361SM	31	SCREW, 5/16-18 x 5/8" Hex Washer Self-Tap
16	1733347CSM	1	WELDMENT, 50" Mower Housing (orange)
17	1713195SM	2	SHAFT, Arbor Short
18	1713612SM	1	SHAFT, Arbor Long
19	1713196SM	3	SHIELD, Grass Lower Arbor Heat Treated
20	1726453SM	3	BLADE, Mower, 50" Deck
21	1733308ASM	1	UPSTOP
22	1713089SM	3	WASHER, 11/16 x 2" Hex
23	1656916SM	3	WASHER, Spring
24	2823471SM	3	SCREW, 7/16-14 x 1-1/4" Hex Head Cap, GR8
25	1927557SM	6	NUT, 5/16-18 Hex Flange Lock Large Black
26	1931333SM	6	BOLT, 5/16-18 x 3/4" Round Head Short Square Neck, GR5
27	1724538ASM	1	BAFFLE, Anti-Blowout
28	1713619SM	3	WASHER, Cup
29	1729666SM	1	COVER, Arbor
30	1715673SM	1	COVER, Arbor
31	1705115SM	1	PLUG, Hole (for .344 Square Hole)
32	1931318SM	3	BOLT, 1/4-20 x 7/8" Round Head Square Neck, GR5
33	1960518SM	2	RETAINER, 1/4" Bolt
34	1960353SM	4	WASHER, Large (1/4 I.D. x 5/8 O.D. x .134/.109 Thick)
35	1704873SM	1	CLAMP
36	1734181ASM	1	BAFFLE, Front 44 & 50" Decks
38	1919326SM	1	WASHER, 5/16"
39	1705449SM	1	DEFLECTOR, Discharge
40	7101082SM	1	SPRING, Torsion Chute 44" & 50" Decks
41	1706709SM	1	ROD, Deflector, Front
42	1920397SM	3	NUT, 1/4" Hex Lock Esna Light
43	1960633SM	2	BOLT, 1/4-20 x 1-1/2" Round Head Square Neck, GR5

Footnotes

The above parts group applies to the following Mfg. Nos.:

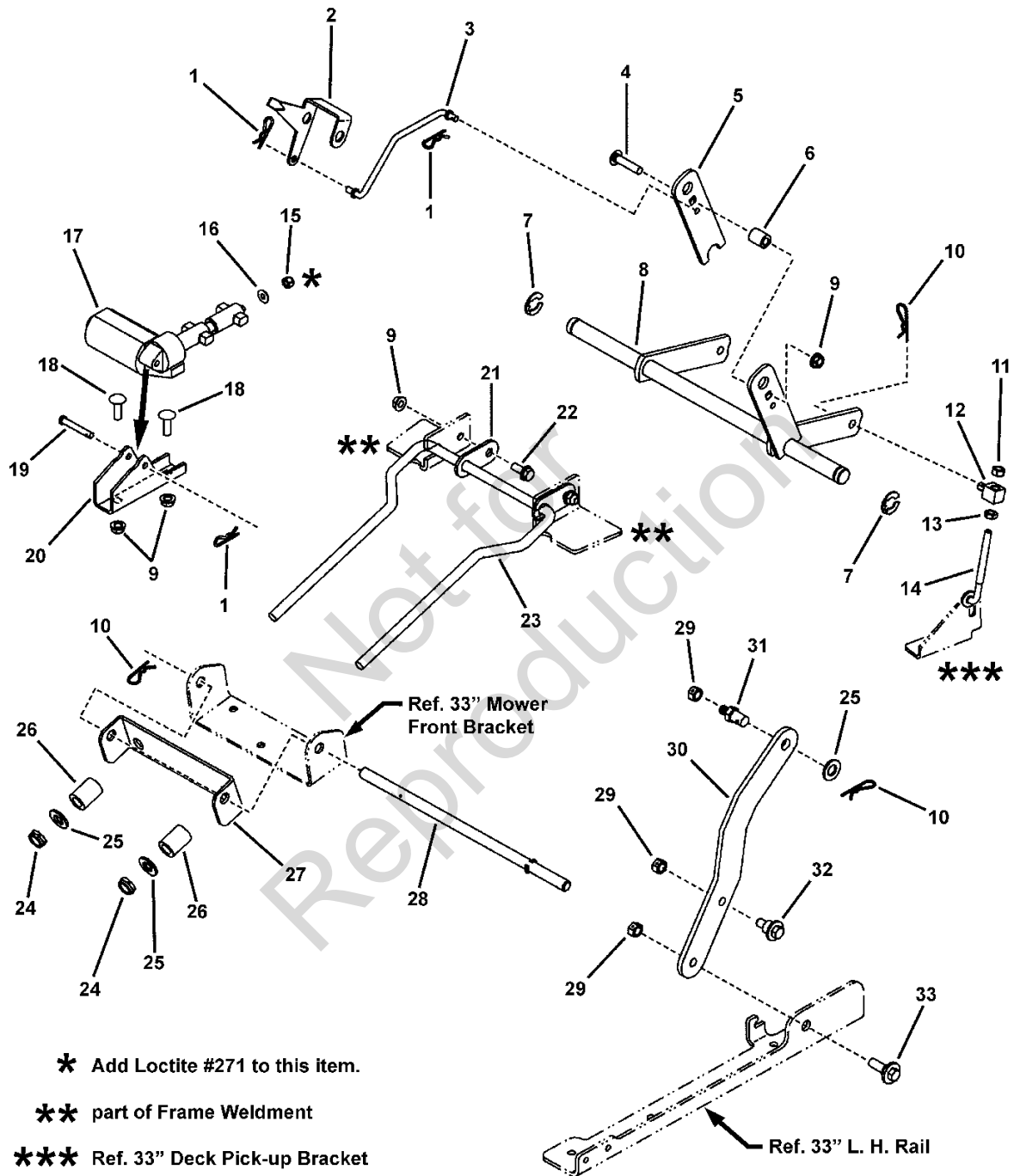
7800375 - Axion

7800382 - Axion

Mower Lift Group - 33" Deck

825mlg33

NOTE: Unless noted otherwise,
use the standard hardware torque
specification chart.



The above parts group applies to the following Mfg. Nos.:

- 7800360 - Axion
- 7800380 - Axion

Mower Lift Group - 33" Deck

REF NO	PART NO.	QTY.	DESCRIPTION
1	1722460SM	3	CLIP, Hair Pin
2	1733454SM	1	INDICATOR, Height-of-Cut
3	1733572SM	1	ROD, Height-of-Cut Indicator
4	1931337SM	1	BOLT, 5/16-18 x 1-1/2" Round Head Short Square Neck, GR5
5	1734336ASM	1	ARM, Lift Trunnion
6	1673796SM	1	SPACER, .328 I.D. x .625 O.D. x .781 Long (Powdered metal)
7	1611710SM	2	KLIPRING, External for .750 Dia. Shaft
8	1735045ASM	1	WELDMENT, Lift Shaft, 33" Mower
9	1931277SM	5	NUT, 5/16-18 Hex Flange Lock, Small - Black
10	1960074SM	6	CLIP, Hair Pin .093 Dia.
11	7091067SM	2	NUT, 5/16-18 Hex Center Lock
12	7073607SM	2	SWIVEL, Brake Link (Powdered Metal)
13	1920161SM	2	NUT, 5/16-18 Hex Jam, Black
14	7028728SM	2	ADJUSTER, Chain
15	1960757SM	1	NUT, 1/4-20 Hex, L.H. Thread
16	1921319SM	1	WASHER, 1/4" Flat (.27 I.D. x .62 O.D.)
17	1733513SM	1	MOTOR, Mini-Actuator (Electric)
18	1931335SM	2	BOLT, 5/16-18 x 1" Round Head Short Square Neck, GR5 Zinc
19	1668344SM	1	PIN, Shear
20	1733533ASM	1	BRACKET, Electric Motor Mount
21	1731899ASM	1	PLATE, Pivot Lock
22	1930591SM	2	SCREW, 5/16-18 x 3/4" Hex Flange Lock
23	1730097SM	1	ROD, Bail (1/2-13 thread, 2 places)
24	1960379SM	2	NUT, 1/2-13 Hex Jam
25	1960170SM	2	WASHER, 1/2" Flat (0.51 I.D. x 1.00 O.D. x .10 Thick)
26	1679166SM	2	SPACER, .520 I.D. x .88 I.D. x 1.185 Long
27	1730221ASM	1	HANGER, Front
28	1735033SM	1	PIN, Hitch
29	7091585SM	2	NUT, 3/8-16 Hex Center Lock
30	7300024SM	2	BAR, Rear Lift, 38/42
31	094067MA	2	PIN, 3/8-16 Threaded Shoulder
32	009X52MA	2	SHOULDER BOLT, 3/8-16 x .600 O.D. x .95 Long
33	1732129SM	2	SHOULDER BOLT, 3/8-16 x .94

Footnotes

The above parts group applies to the following Mfg. Nos.:

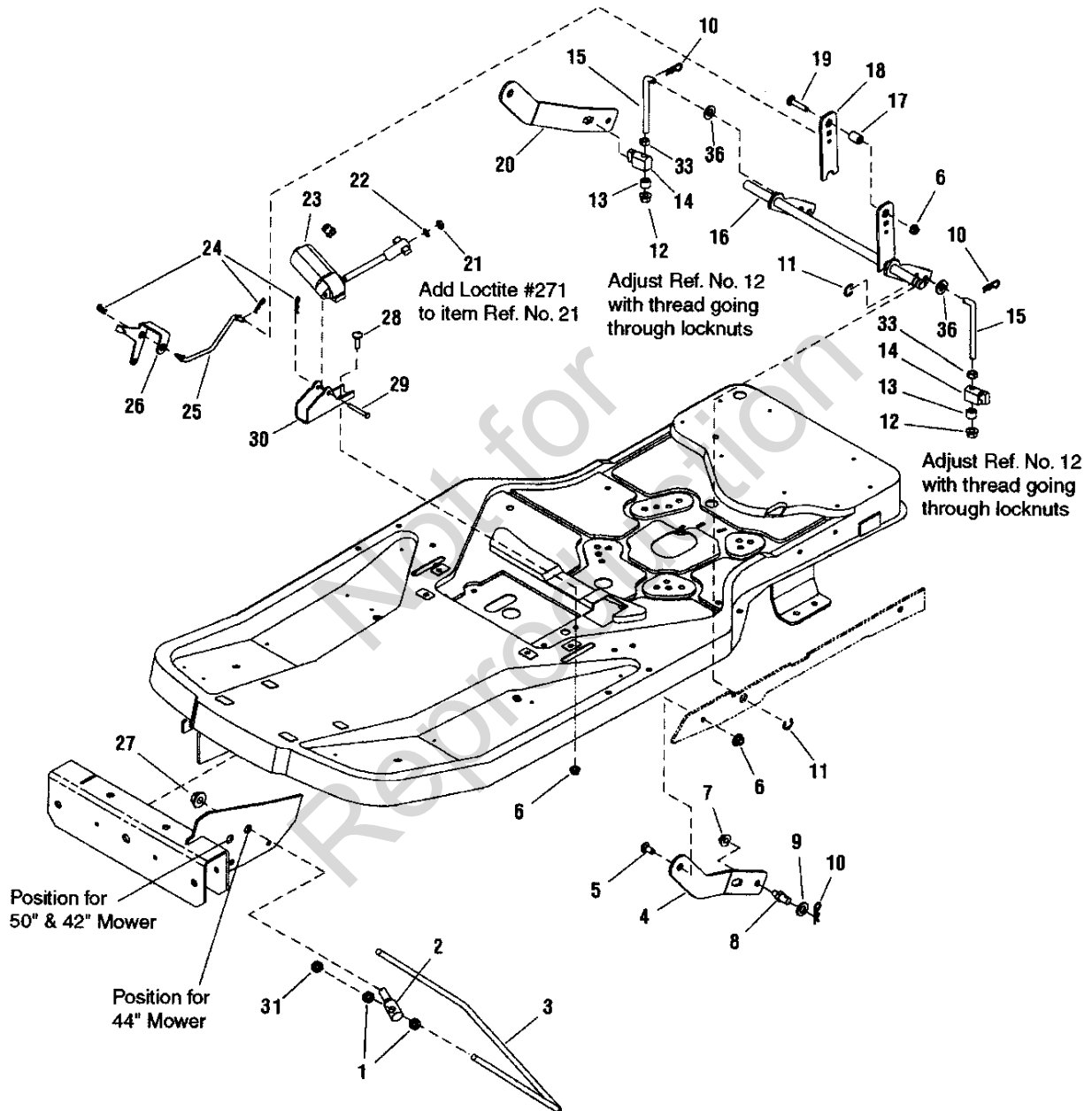
7800360 - Axion

7800380 - Axion

Mower Lift Group - 42" Deck

825mlg42

NOTE: Unless noted otherwise,
use the standard hardware torque
specification chart.



The above parts group applies to the following Mfg. Nos.:

7800374 - Axion

7800381 - Axion

Mower Lift Group - 42" Deck

REF NO	PART NO.	QTY.	DESCRIPTION
1	1922007SM	6	NUT, 7/16-14 Hex Jam
2	1734042SM	2	TRUNNION, 1/2-13 Thread
3	1733381SM	1	ROD, Bail (7/16-14 Thread, 2 Places)
4	1733535ASM	1	ARM, Mower Lift L.H.
5	009X67MA	2	SHOULDER BOLT, 5/16-18
6	1931277SM	3	NUT, 5/16-18 Hex Flange Lock, Small - Black
7	1960251SM	2	NUT, 3/8-16 Hex Center Lock Jam
8	094067MA	2	PIN, 3/8-16 Threaded Shoulder
9	1960170SM	2	WASHER, 1/2" Flat (0.51 I.D. x 1.00 O.D. x .10 Thick)
10	1960074SM	4	CLIP, Hair Pin .093 Dia.
11	1704420SM	2	RING, External (Klipring) for .625 Dia. Shaft
12	1960687SM	2	NUT, 3/8-16 Hex Flange Nyloc
13	1666294SM	2	SPACER, .385 I.D. x .6697 O.D. x .455 Long, Powdered Metal
14	1731894SM	2	TRUNNION, Powdered Metal
15	1734217SM	2	ROD, Mower Lift, 3/8-16 Thread
16	1733356ASM	1	WELDMENT, Lift Shaft
17	1673796SM	1	SPACER, .328 I.D. x .625 O.D. x .781 Long (Powdered metal)
18	1734336ASM	1	ARM, Lift Trunnion
19	1931337SM	1	BOLT, 5/16-18 x 1-1/2" Round Head Short Square Neck, GR5
20	1733536ASM	1	ARM, Mower Lift R.H.
21	1960757SM	1	NUT, 1/4-20 Hex, L.H. Thread
22	1921319SM	1	WASHER, 1/4" Flat (.27 I.D. x .62 O.D.)
23	1733513SM	1	MOTOR, Mini-Actuator (Electric)
24	1722460SM	3	HAIR PIN
25	1733572SM	1	ROD, Height-of-Cut Indicator
26	1733454SM	1	INDICATOR, Height-of-Cut
27	1930644SM	2	NUT, HEX FLANGE 1/2-13 Hex Flange Two Way Lock
28	1931335SM	1	BOLT, 5/16-18 x 1" Round Head Short Square Neck, GR5
29	1668344SM	1	PIN, Shear
30	1733533ASM	1	BRACKET, Electric Motor Mount
31	1918213SM	2	NUT, 7/16-14 Hex
33	1916950SM	2	NUT, HEX 3/8-16 Hex
36	1924940SM	2	WASHER, .375 Flat (.41 I.D. x .87 O.D.)

Footnotes

The above parts group applies to the following Mfg. Nos.:

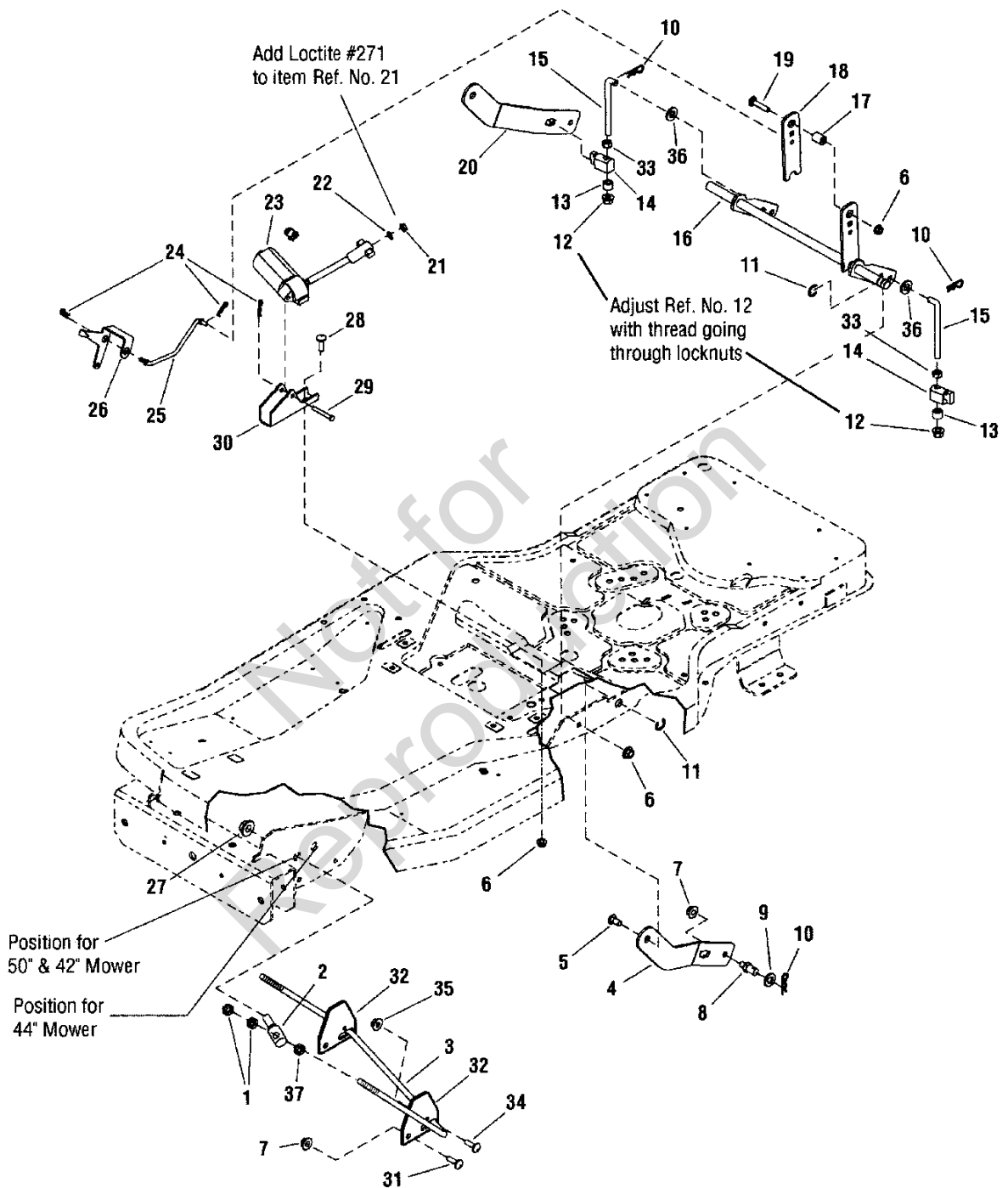
7800374 - Axion

7800381 - Axion

Mower Lift Group - 50" Deck

825mlg50

NOTE: Unless noted otherwise,
use the standard hardware torque
specification chart.



The above parts group applies to the following Mfg. Nos.:

- 7800375 - Axion
- 7800382 - Axion

Mower Lift Group - 50" Deck

REF NO	PART NO.	QTY.	DESCRIPTION
1	1922007SM	6	NUT, 7/16-14 Hex Jam
2	1734042SM	2	TRUNNION, 1/2-13 Thread
3	1733381SM	1	ROD, Bail (7/16-14 Thread, 2 Places)
4	1733535ASM	1	ARM, Mower Lift L.H.
5	009X67MA	2	SHOULDER BOLT, 5/16-18
6	1931277SM	3	NUT, 5/16-18 Hex Flange Lock, Small - Black
7	1960251SM	2	NUT, 3/8-16 Hex Center Lock Jam
8	094067MA	2	PIN, 3/8-16 Threaded Shoulder
9	1960170SM	2	WASHER, 1/2" Flat (0.51 I.D. x 1.00 O.D. x .10 Thick)
10	1960074SM	4	CLIP, Hair Pin .093 Dia.
11	1704420SM	2	RING, External (Klipring) for .625 Dia. Shaft
12	1960687SM	2	NUT, 3/8-16 Hex Flange Nyloc
13	1666294SM	2	SPACER, .385 I.D. x .6697 O.D. x .455 Long, Powdered Metal
14	1731894SM	2	TRUNNION, Powdered Metal
15	1734217SM	2	ROD, Mower Lift, 3/8-16 Thread
16	1733356ASM	1	WELDMENT, Lift Shaft
17	1673796SM	1	SPACER, .328 I.D. x .625 O.D. x .781 Long (Powdered metal)
18	1734336ASM	1	ARM, Lift Trunnion
19	1931337SM	1	BOLT, 5/16-18 x 1-1/2" Round Head Short Square Neck, GR5
20	1733536ASM	1	ARM, Mower Lift R.H.
21	1960757SM	1	NUT, 1/4-20 Hex, L.H. Thread
22	1921319SM	1	WASHER, 1/4" Flat (.27 I.D. x .62 O.D.)
23	1733513SM	1	MOTOR, Mini-Actuator (Electric)
24	1722460SM	3	HAIR PIN
25	1733572SM	1	ROD, Height-of-Cut Indicator
26	1733454SM	1	INDICATOR, Height-of-Cut
27	1930644SM	2	NUT, HEX FLANGE 1/2-13 Hex Flange Two Way Lock
28	1931335SM	1	BOLT, 5/16-18 x 1" Round Head Short Square Neck, GR5
29	1668344SM	1	PIN, Shear
31	1960711SM	2	BOLT, Carriage, Short Square Neck, 3/8-16X0.750 GR5, Black
32	1734379ASM	2	PLATE, Pivot Lock
33	1916950SM	2	NUT, HEX 3/8-16 Hex
34	1931317SM	2	BOLT, 1/4-20 x 2" Round Head Short Square Neck, GR5, Black
35	1960294SM	2	NUT, 1/4-20 Hex Flange Lock
36	1924940SM	2	WASHER, .375 Flat (.41 I.D. x .87 O.D.)
37	1918213SM	2	NUT, 7/16-14 Hex

Footnotes

The above parts group applies to the following Mfg. Nos.:

7800375 - Axion

7800382 - Axion

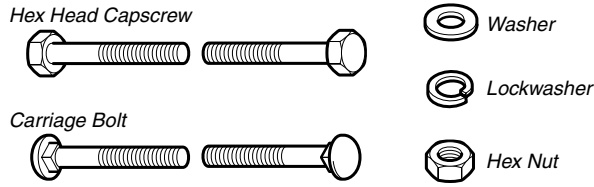
Not for
Reproduction

Not for
Reproduction

Not for
Reproduction

Hardware Identification & Torque Specifications

Common Hardware Types

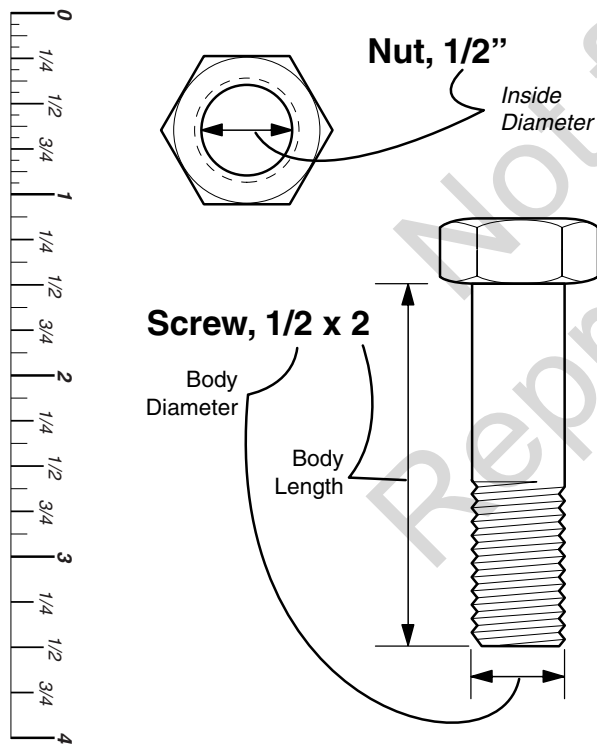


Standard Hardware Sizing

When a washer or nut is identified as 1/2", this is the *Nominal size*, meaning the *inside diameter* is 1/2 inch; if a second number is present it represents the *threads per inch*

When bolt or capscrew is identified as 1/2 - 16 x 2", this means the *Nominal size*, or *body diameter* is 1/2 inch; the second number represents the *threads per inch* (16 in this example, and the final number is the *body length* of the bolt or screw (in this example 2 inches long).

The guides and ruler furnished below are designed to help you select the appropriate hardware and tools.



Torque Specification Chart

FOR STANDARD MACHINE HARDWARE (Tolerance ± 20%)

Hardware Grade	No Marks SAE Grade 2		SAE Grade 5		SAE Grade 8	
	in/lbs ft/lbs	Nm.	in/lbs ft/lbs	Nm.	in/lbs ft/lbs	Nm.
8-32	19	2.1	30	3.4	41	4.6
8-36	20	2.3	31	3.5	43	4.9
10-24	27	3.1	43	4.9	60	6.8
10-32	31	3.5	49	5.5	68	7.7
1/4-20	66	7.6	8	10.9	12	16.3
1/4-28	76	8.6	10	13.6	14	19.0
5/16-18	11	15.0	17	23.1	25	34.0
5/16-24	12	16.3	19	25.8	27	34.0
3/8-16	20	27.2	30	40.8	45	61.2
3/8-24	23	31.3	35	47.6	50	68.0
7/16-14	30	40.8	50	68.0	70	95.2
7/16-20	35	47.6	55	74.8	80	108.8
1/2-13	50	68.0	75	102.0	110	149.6
1/2-20	55	74.8	90	122.4	120	163.2
9/16-12	65	88.4	110	149.6	150	204.0
9/16-18	75	102.0	120	163.2	170	231.2
5/8-11	90	122.4	150	204.0	220	299.2
5/8-18	100	136	180	244.8	240	326.4
3/4-10	160	217.6	260	353.6	386	525.0
3/4-16	180	244.8	300	408.0	420	571.2
7/8-9	140	190.4	400	544.0	600	816.0
7/8-14	155	210.8	440	598.4	660	897.6
1-8	220	299.2	580	788.8	900	1,244.0
1-12	240	326.4	640	870.4	1,000	1,360.0

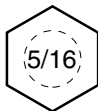
NOTES

- These torque values are to be used for all hardware excluding: locknuts, self-tapping screws, thread forming screws, sheet metal screws and socket head setscrews.
- Recommended seating torque values for locknuts:
 - for prevailing torque locknuts - use 65% of grade 5 torques.
 - for flange whizlock nuts and screws - use 135% of grade 5 torques.
- Unless otherwise noted on assembly drawings, all torque values must meet this specification.

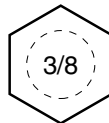
Wrench & Fastener Size Guide



1/4" Bolt or Nut
Wrench—7/16"



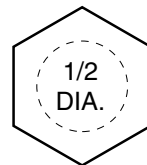
5/16" Bolt or Nut
Wrench—1/2"



3/8" Bolt or Nut
Wrench—9/16"



7/16" Bolt or Nut
Wrench (Bolt)—5/8"
Wrench (Nut)—11/16"



1/2" Bolt or Nut
Wrench—3/4"

Not for
Reproduction

**IT IS THE POLICY OF BRIGGS & STRATTON CORP. TO IMPROVE ITS PRODUCTS
WHENEVER IT IS POSSIBLE AND PRACTICAL TO DO SO. WE RESERVE THE RIGHT TO
MAKE CHANGES OR ADD IMPROVEMENTS AT ANY TIME WITHOUT INCURRING ANY
OBLIGATION TO MAKE SUCH CHANGES ON PRODUCTS.**

Briggs & Stratton Yard Power Products Group

3515 N. 124 Street / PO Box 702
Wauwatosa, WI 53222 USA

www.simplicitymfg.com

© Copyright 2008 by Briggs & Stratton Corporation
Milwaukee, WI, USA. All rights reserved