

Simplicity

ASSEMBLY INSTRUCTIONS and PARTS LIST

mfg.no. 735 - 3 Point Hitch
(FIELD INSTALLED)

1. See figure 1. Remove the spring clip and pin at (A) to unhook the rod end of the hydraulic cylinder from the lift arm assembly.
2. Remove the 4 nuts, lock washers and capscrews at (B) and remove the lift arm assembly (C) from the tractor.

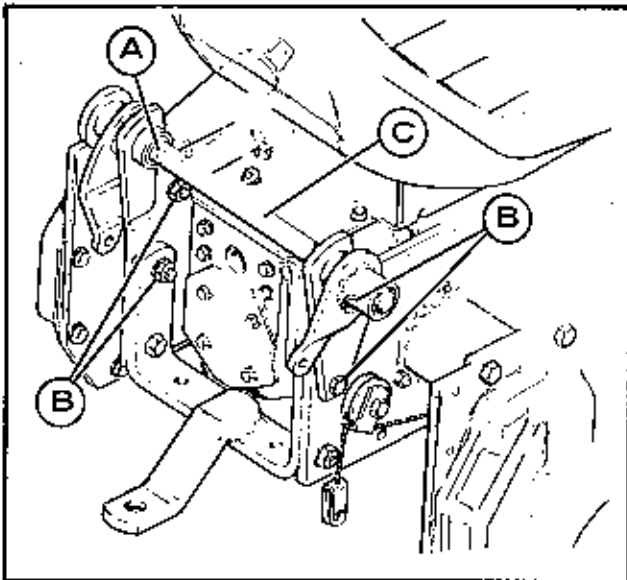


FIGURE 1

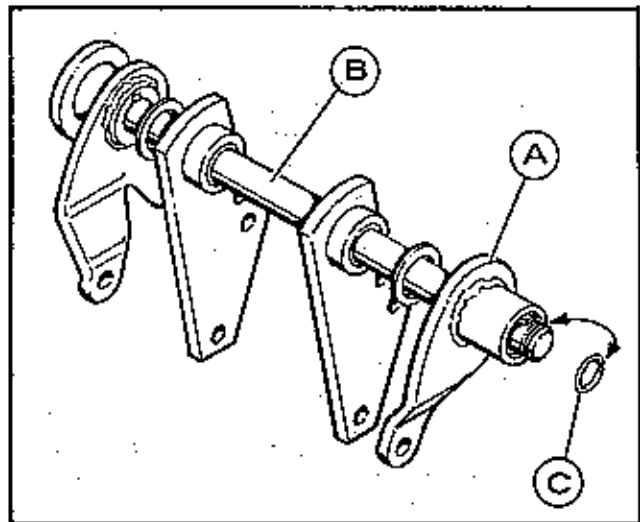


FIGURE 2

3. See figure 2. Push the right lift arm (A) of the lift arm assembly about one inch toward the center of the shaft (B) to expose retaining ring (C).
4. Remove retaining ring (C), being careful not to damage or loose it as it will be needed later. Slide the right lift arm (A) off the end of shaft (B).

1348

SER. FORM - 178098
PRINTED IN U.S.A.

5. See figure 3. Be sure key (A) is in place. Line up the keyway in the right hand lift arm and link assembly (B) with the key in shaft (C) and slide the lift arm assembly onto the shaft as shown.
6. Install snap ring (D) which was removed in step 4, on shaft (C).
7. Repeat steps 3 through 6 to remove the left lift arm and install the left lift arm and link assembly.

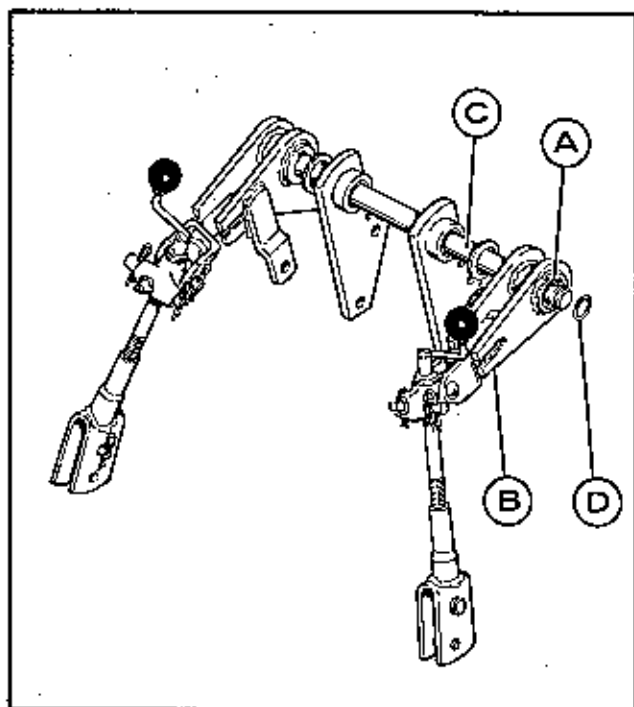


FIGURE 3

8. See figure 4. Install the lift arm and link assembly (A) in place on the tractor frame as shown and replace the four capscrews, lock washers, and nuts removed in step 2 at (B). To insure there will be adequate clearance for the turnbuckle link assembly, push forward on shaft (A) while tightening the nuts. The nuts should be torqued to 75 foot pounds.
9. See figure 4. Attach the rod end of the hydraulic cylinder (C) to the left lift arm using the pin and spring clip removed in step 1.
10. See figure 5. Remove the two capscrews (A) and lock washers (B) from the tractor frame as shown.
11. See figure 6. Place the right draft arm assembly (A) in position and secure it using two of the new 1/2"-13 x 2" lg. capscrews (B) included with the 3 point hitch. Use the two lock washers (figure 5, item B) removed in step 10. Torque the capscrews to 75 foot pounds.
12. Repeat steps 9 and 10 on the left side of the tractor to install the left draft arm assembly.
13. See figure 5. Remove nut C and cable stop D.
14. See figure 6. Install the new rub bar assembly, right hand (C) being sure the lift cable is in place between the pulley and the cable stop. Install nut (D) and torque to 50 foot pounds.
15. Repeat steps 13 and 14 on the left side to install the rub bar assembly, left hand.

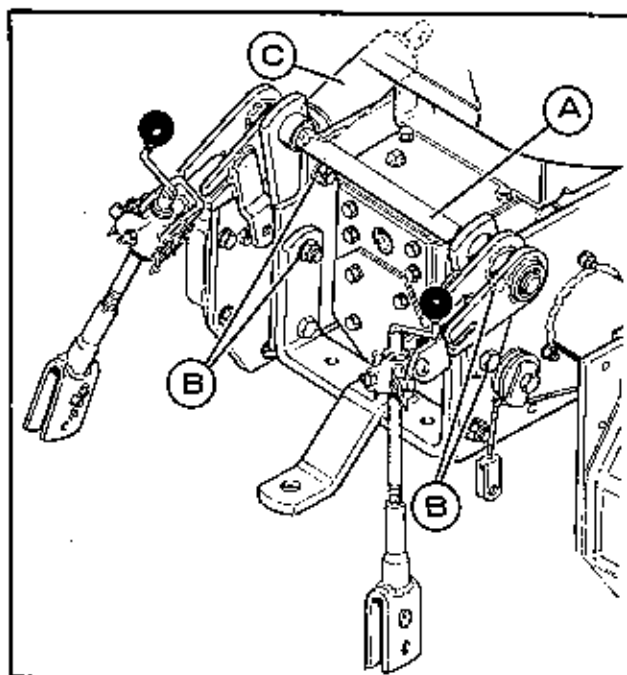


FIGURE 4

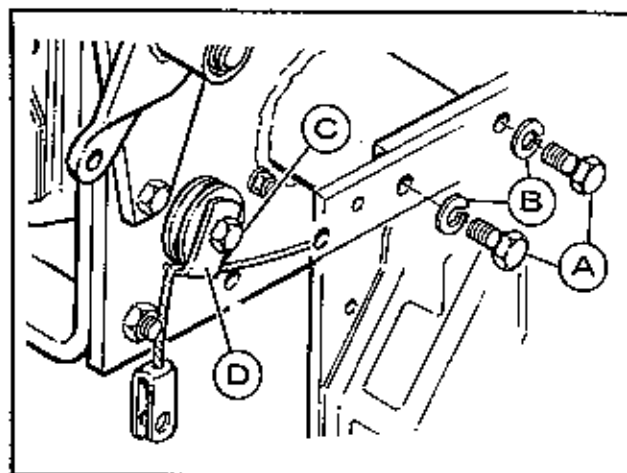


FIGURE 5

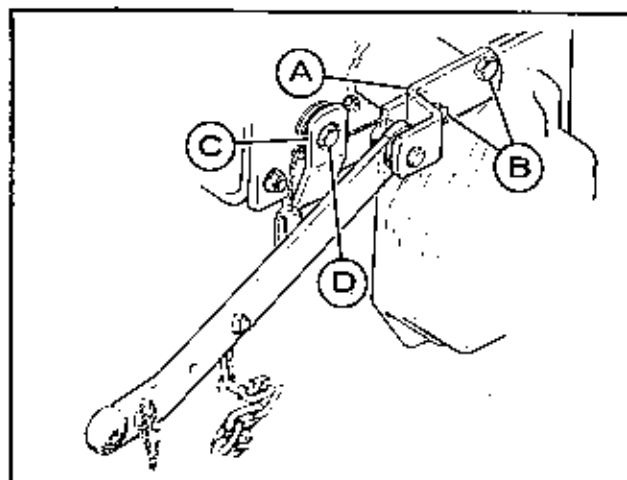


FIGURE 6

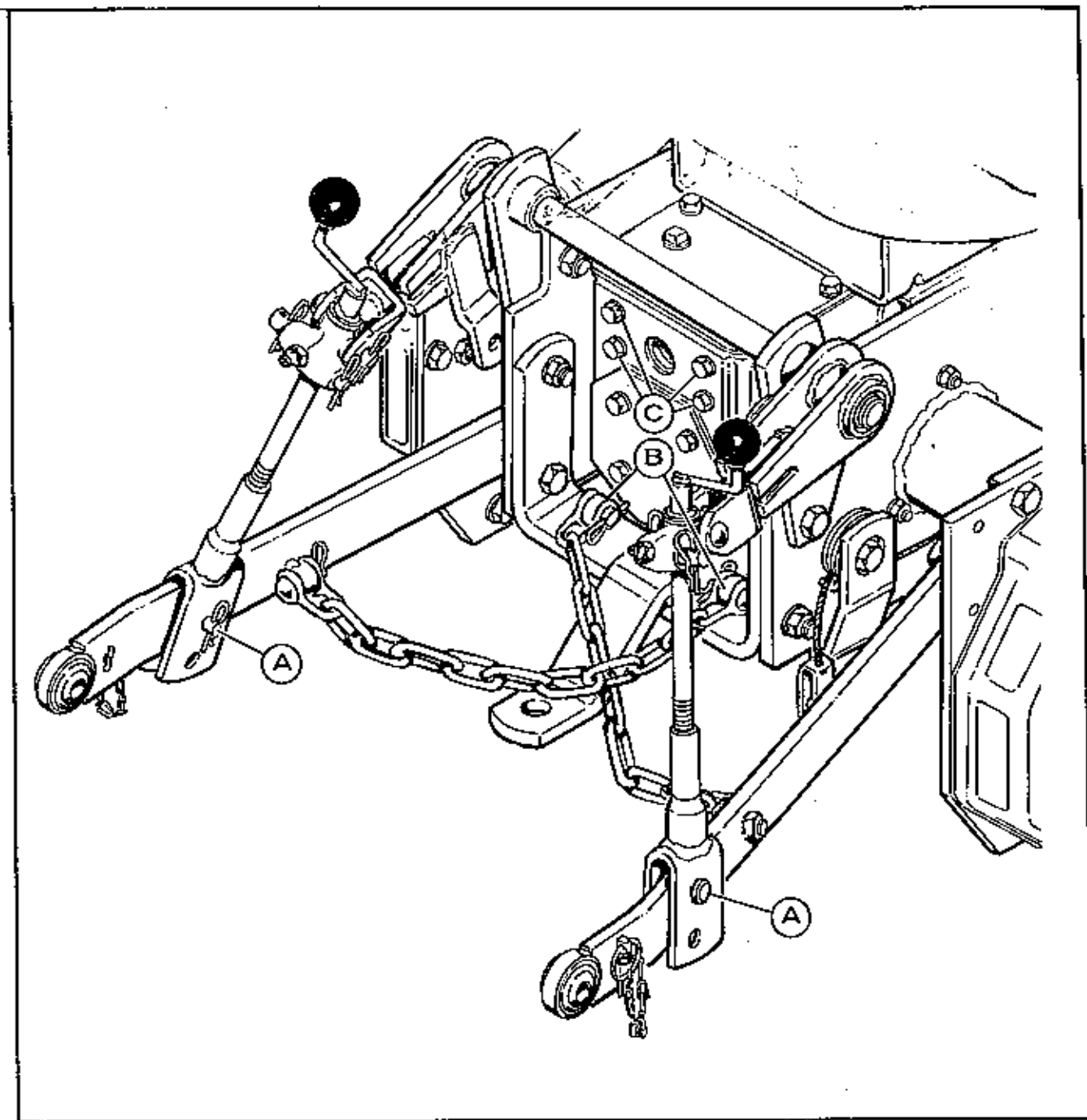


FIGURE 7

16. See figure 7. Attach the draft arms to the lift link as shown using the pins and spring clips (A). Fasten the restraining chains to the tractor drawbar, crossing them as shown and installing the eyebolts (B) from the top of the drawbar. When turning the 1/2" lock nuts (figure 8, item C) on the eyebolts allow enough clearance between the nut and drawbar so the eyebolts will be free to turn in the drawbar holes.

17. See figure 7. Remove the 4 capscrews (C) from the tractor transmission.

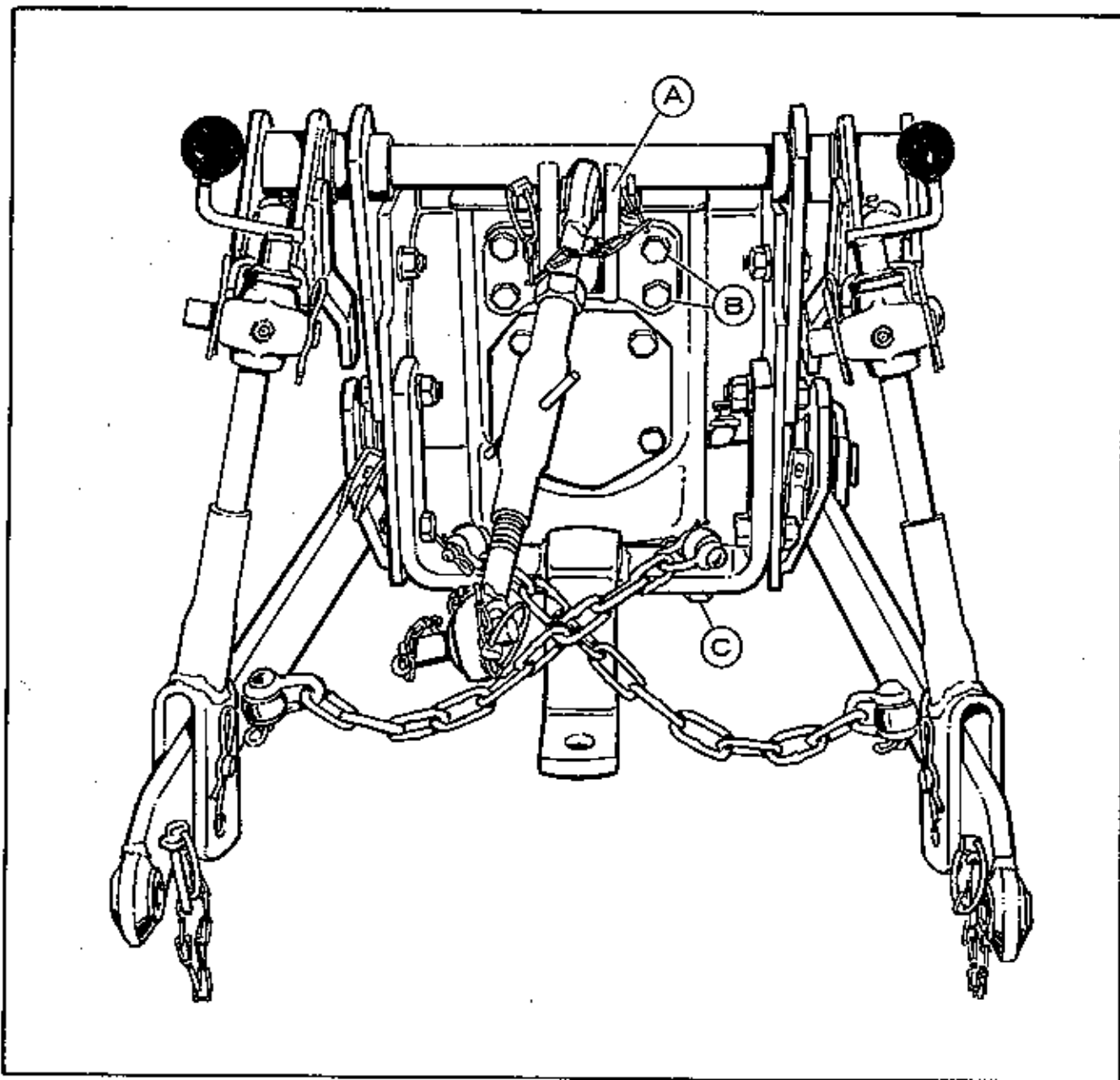


FIGURE 8

18. See figure 8. Install the turnbuckle link assembly (A) in position as shown and use 4 new 7/16"-14 x 1-1/4" lg. cap screws (B) and 7/16" lock washers to mount it in place. Tighten these cap screws to 50 foot pounds torque.

19. Figure 8 shows the three-point hitch completely installed and set up for most uses. For further information on the adjustment or use of the three-point hitch consult the 4040 owners manual or the manual for the attachment to be mounted on the 3 point hitch.

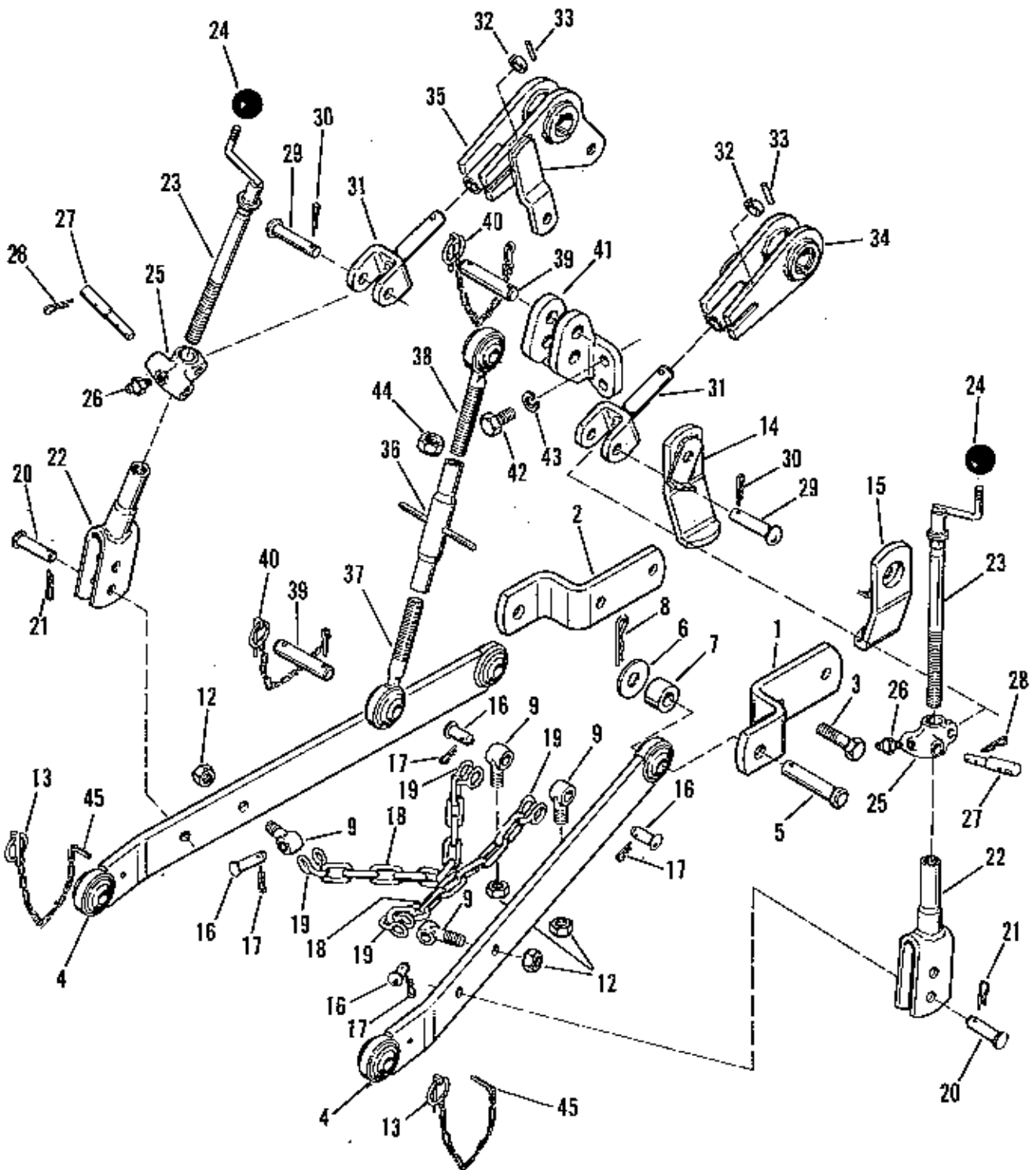
EXPLODED VIEW AND PARTS LIST

ON

FOLLOWING PAGES

MFG. NO. 735 3 POINT HITCH

3 POINT HITCH



3 POINT HITCH

Ref. No.	Part No.	Qty. Req.	Description
1	170185	1	Pull Link Strap, R.H.
2	172197	1	Pull Link Strap, L.H.
3	715141	4	Hex Capscrew, 1/2" - 13 x 2" lg.
4	168293	2	Pull Link Assembly
5	173641	2	Pin
6	116001	2	Washer
7	173630	2	Collar
8	106788	2	Hairpin Clip
9	168285	4	Eyebolt, 1/2"-20
10	720004	2	Lock Washer, 1/2"
11	717016	2	Hex Nut, 1/2"-20
12	717516	4	Hex Nut, Center Lock 1/2" - 20
13	171689	2	Retaining Pin
14	173634	1	Rub Bar Assembly, L.H.
15	173635	1	Rub Bar Assembly, R.H.
16	172806	4	Pin
17	106787	4	Hairpin: Clip
18	173006	2	Chain, 9 links
19	168284	4	Shackle
20	171690	2	Pin
21	106788	2	Hairpin Clip
22	171747	2	Clevis Assembly

Ref No.	Part No.	Qty. Req.	Description
23	171701	2	Link Assembly
24	8021050	2	Knob
25	171825	2	Trunnion
26	727014	2	Grease Fitting
27	173386	2	Pin
28	106788	2	Hairpin Clip
29	8181008	2	Pin
30	106788	2	Hairpin Clip
31	171706	2	Clevis Assembly
32	171709	2	Collar
33	723008	2	Roll Pin
34	171710	1	Lift Arm Assembly, R.H.
35	171714	1	Lift Arm Assembly, L.H.
36	171720	1	Upper Link Assembly
37	168281	1	Stud Assembly, R.H.
38	171693	1	Stud Assembly, L.H.
39	171695	2	Pin
40	171689	2	Retaining Pin
41	171722	1	Upper Link Support
42	715092	4	Hex Capscrew, 7/16" - 14 x 1-1/4" lg.
43	720006	4	Lock Washer, 7/16"
44	718005	1	Hex Nut, 3/4"-10 L.H.
45	722013	2	Cotter Pin

