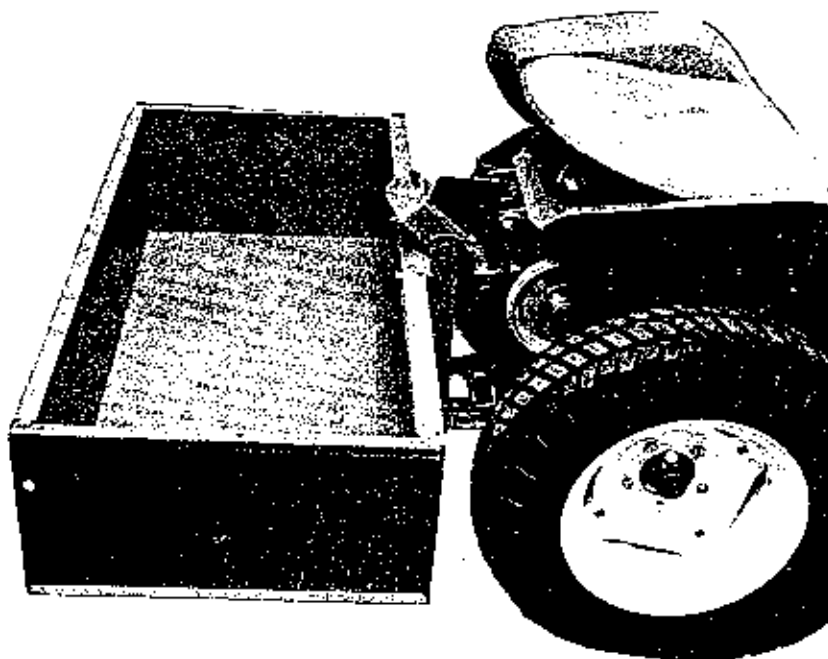


Simplicity

CARRY-ALL BOX

ARTICLE 274

FOR MODEL 725 RIDING TRACTOR



The Carry-All Box is shipped in one carton. To properly assemble, follow the steps as outlined below. Refer to the exploded-view on page 2.

Assembly

1. Assemble the 2 straps (F) to box frame assy. (E) using 5/16-18 x 1" lg. hex capscrews (G) and 5/16 lockwashers (N) and 5/16-18 hex nuts (P) at the four attaching points.

2. Place the box (A) over the mounting holes on the frame assy. (E) and insert 5/16-18 carriage bolts (M) through the bottom of box and through holes of 4 mounting brackets welded to frame assy. Secure in place with 5/16 lockwashers (K) and 5/16-18 hex nuts (L).

3. The front of the box (A) is fastened to the lower mounting plate on vertical arms of frame by means of 5/16-18 x 1" lg. hex capscrews (G) and 5/16 lock washers (K) and 5/16-18 hex nuts (L).

Place the 2 spacers (H) under the lip on the upper front edge of the box, and insert 5/16-18 x 2" lg. hex capscrews (J) through mounting holes and the spacers and through upper mounting plate on frame. Secure with 5/16 lock washers (K) and 5/16-18 hex nuts (L).

4. Fasten the rear end of the frame to the lower rear edge of box by means of 5/16-18 x 1" lg. hex capscrews (G) and 5/16 lock washers (K) and 5/16-18 hex nuts (L).

5. The end gate (B) may be easily installed or removed as desired by means of the lock pins (C) and spring clips (D).

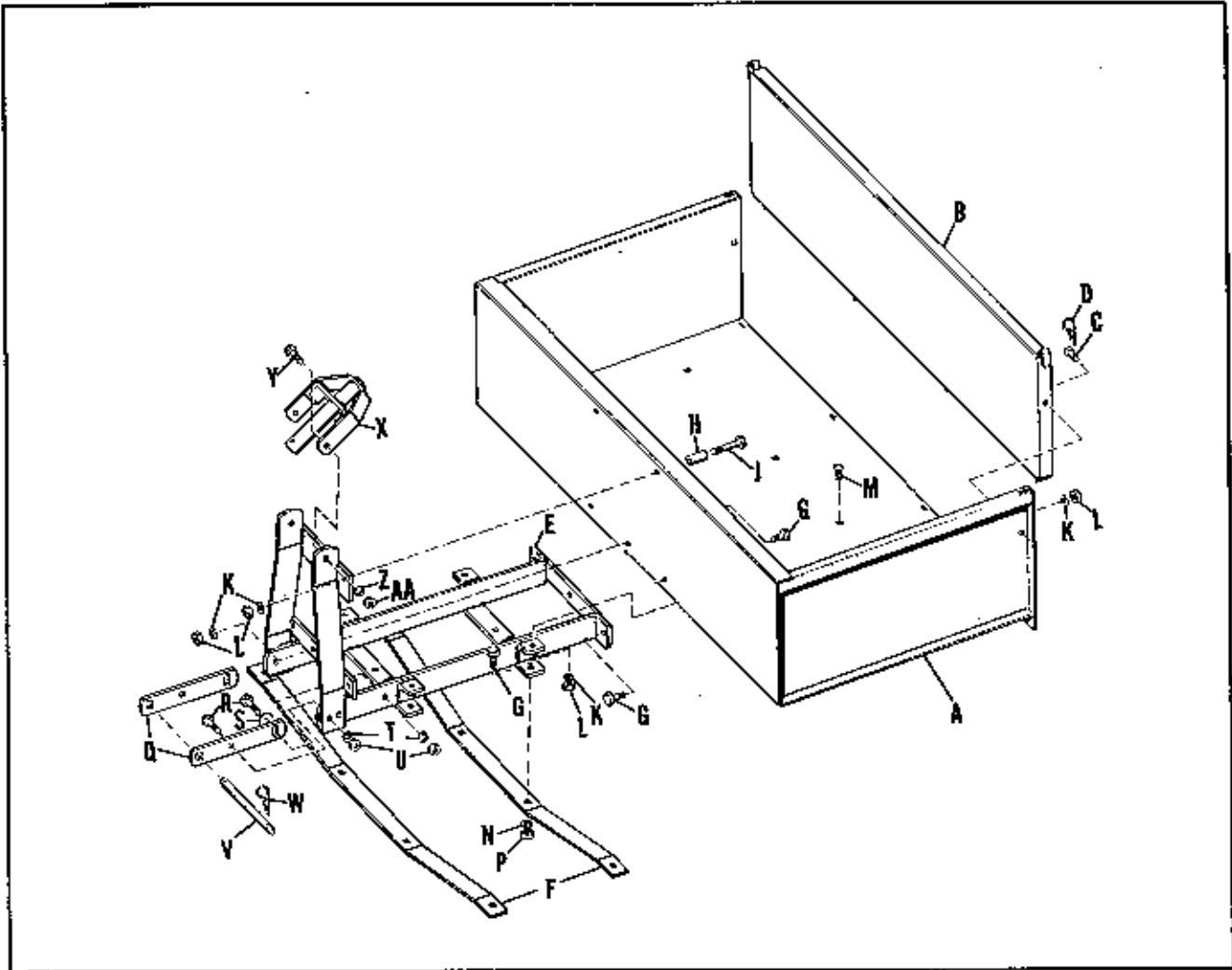
6. Attach the 2 arms (Q) to the inside lower front edge of the frame assy. using 3/8-16 x 1 1/4" lg. hex capscrews (R) and 3/8 lockwashers (T) and 3/8-16 hex nuts (U) as shown. Note that a 3/8 flat washer is used with the rear bolt.

7. Mount the bail assembly (X) between the vertical member of frame as shown, using 3/8-16 x 1" lg. hex capscrews (Y) and 3/8 lockwashers (Z) and 3/8-16 hex nuts (AA).

Installation

To attach to the tractor, insert the rod end of the bail assembly into the tube of the rear lift bracket on the tractor and secure with pin and spring clip. Attach the lower arms of the frame assy. to the outer surface of tractor draw-bar using the pivot rod (V) and spring clips (W).

CARRY-ALL BOX



Ref. Letter	Part No.	Description
A	154488	Box, Carry -All
B	154489	Gate, End
C	153058	Pin, Lock
D	8161045	Clip, Spring
E	154490	Frame Assembly, Box
F	154496	Strap
G	705007	Hex Capscrew, 5/16"-18 NC x 1" lg.
H	154497	Spacer
J	705020	Hex Capscrew, 5/16"-18 NC x 2" lg.
K	720001	Lock Washer, 5/16"
L	717001	Hex Nut, Full, 5/16"-18 NC
M	702015	Carriage Bolt, 5/16"-18 NC x 3/4" lg.
N	720001	Lock Washer, 5/16"
P	717001	Hex Nut, Full, 5/16"-18 NC
Q	154498	Arm
R	705016	Hex Capscrew, 3/8"-16 NC x 1 1/4" lg.
S	719001	Washer, Plain
T	720002	Lock Washer, 3/8"
U	717003	Hex Nut, Full, 3/8"-16 NC
V	105140	Pivot Rod
W	8161045	Clip, Spring
X	154499	Bail Assembly
Y	705005	Hex Capscrew, 3/8"-16 NC x 1" lg.
Z	720002	Lock Washer, 3/8"
AA	717003	Hex Nut, Full, 3/8"-16 NC