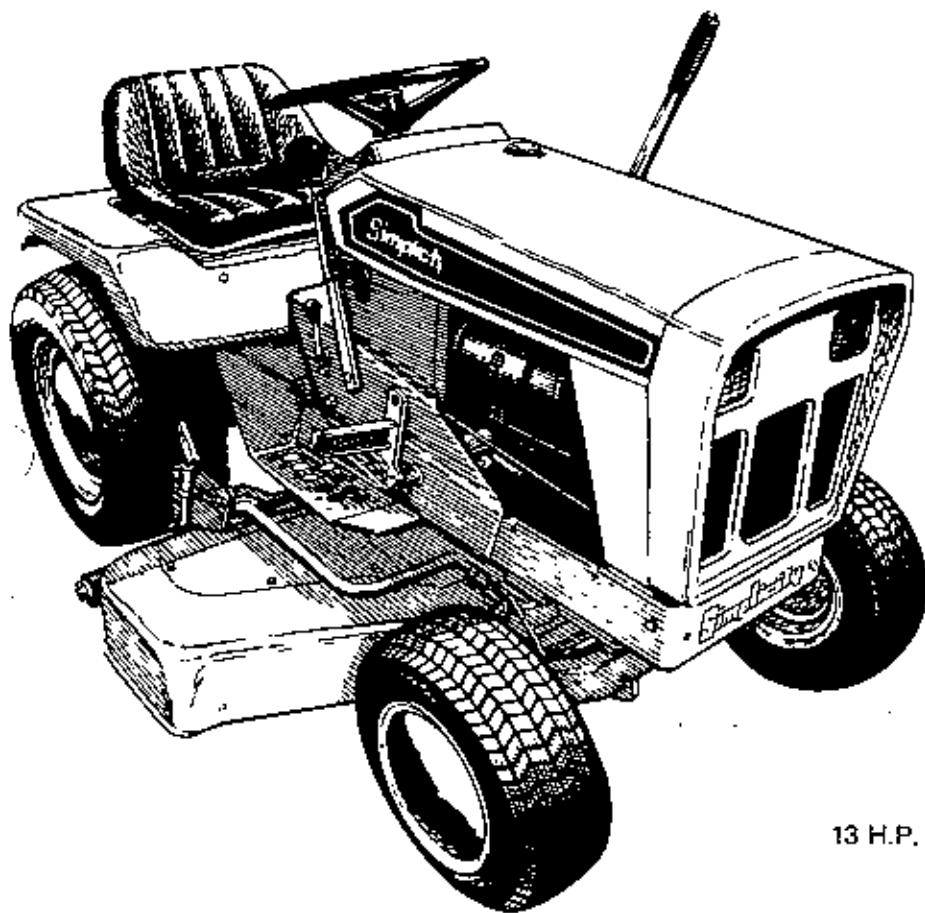


Parts Manual

Model 7013 S



13 H.P. SHUTTLE
MFG. NO. 1690232
13 H.P. SHUTTLE/With 42" MOWER
MFG. NO. 1690233
13 H.P. SHUTTLE
MFG. NO. 1690015
42" ROTARY MOWER
MFG. NO. 1690252
48" ROTARY MOWER
MFG. NO. 1690021

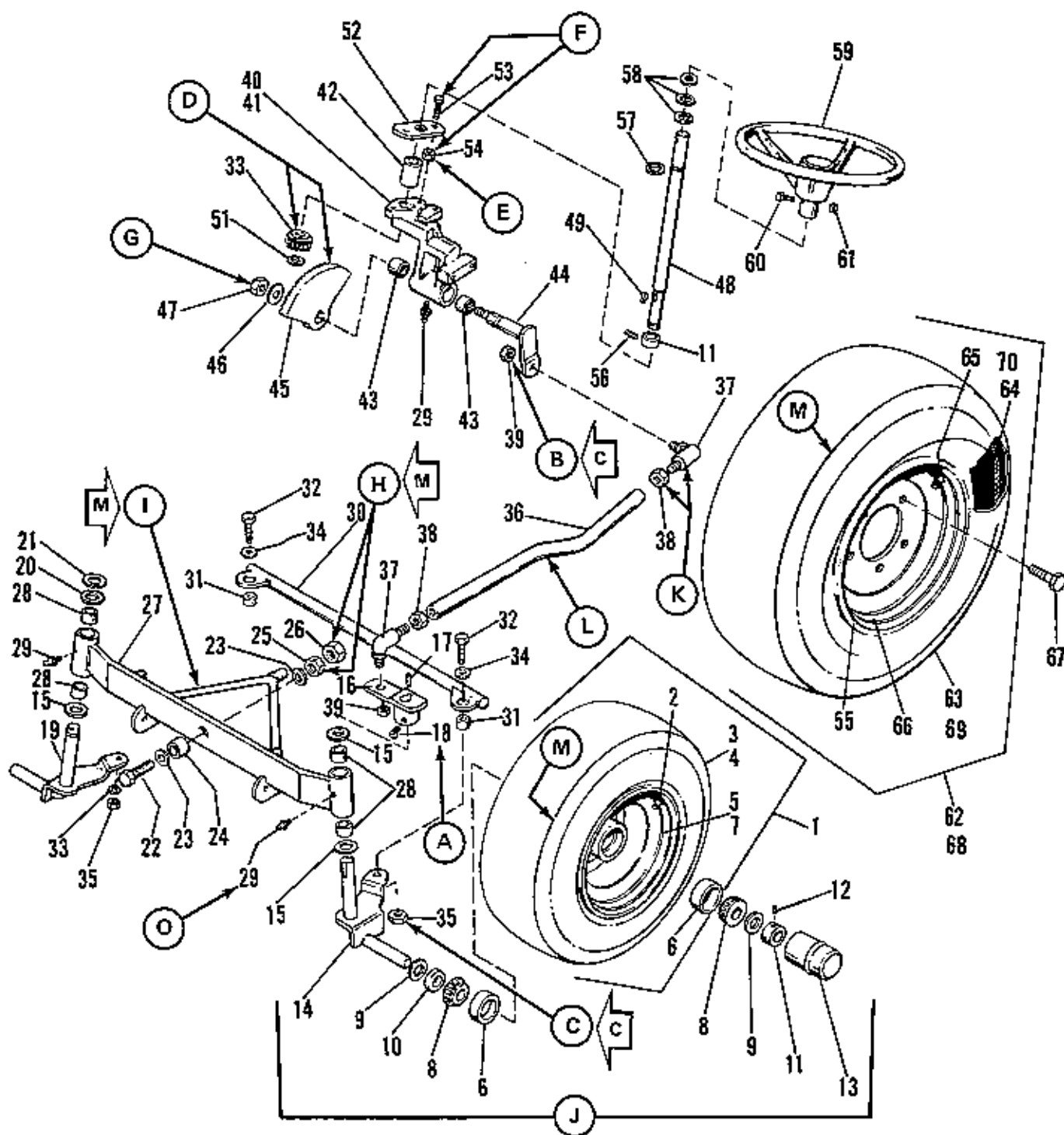
TP-221
PRINTED IN U.S.A.
1078

Simplicity

Table of Contents

FRAME & FOOTREST GROUP	2
WHEEL, AXLE & STEERING GROUP	4
ENGINE & DRIVE GROUP	8
SHUTTLE CONTROL & BRAKE GROUP	10
PULLEY & PLANETARY GROUP	14
TRANSMISSION BRAKE, DRIVE & CLUTCH GROUP	16
TRANSMISSION GROUP	20
P.T.O. CONTROL GROUP	22
P.T.O. CONE CLUTCH GROUP	24
LIFT LEVER & CABLE GROUP	26
BEVEL GEAR & SIDE PLATE GROUP	28
DRAW BAR GROUP	30
REAR AXLE & DIFFERENTIAL GROUP	32
ELECTRICAL GROUP	34
DASH GROUP	36
HOOD & LIGHT GROUP	38
SEAT & DECK GROUP	40
HOOD & LIGHT GROUP (Mfg. No. 1690015)	42
DECALS (Mfg. No. 1690015)	44
HOUSING & ARBOR GROUP (42" Mower)	46
COVER & BAIL GROUP (42" Mower)	48
HEIGHT ADJUSTING & ROLLER GROUP (42" Mower)	50
DEFLECTOR, STONE GUARD & ROCKER ARM GROUP (42" Mower)	52
HOUSING & ARBOR GROUP (48" Mower)	54
COVER & BAIL GROUP (48" Mower)	56
HEIGHT ADJUSTING & ROLLER GROUP (48" Mower)	58
DEFLECTOR, STONE GUARD & ROCKER ARM GROUP (48" Mower)	60
STANDARD HARDWARE TORQUE SPECIFICATIONS	Inside Back Cover

Ref. No.	Part No.	Qty.	Serial No.	Description
1	1654933	1	(00000)-()	REAR FRAME ASSEMBLY
2	171271	1	(00000)-()	FOOT REST, R.H.
3	176628	1	(00000)-()	FOOT REST, L.H.
4	920562	6	(00000)-()	BOLT, Carriage, 5/16-18 x 3/4
5	921332	2	(00000)-()	CAPSCREW, Hex Hd., 5/16-18 x 3/4
6	917356	8	(00000)-()	LOCKWASHER, 5/16
7	917372	6	(00000)-()	NUT, Hex, Full, 5/16-18
8	920470	2	(00000)-()	NUT, Speed, Tinn., 5/16-18
9	1657472	1	(00000)-()	FOOT PEDAL ASSEMBLY
10	108419	2	(00000)-()	BUSHING
11	157300	1	(00000)-()	ARM, Pedal Foot
12	917378	1	(00000)-()	WASHER, 3/8
13	916965	1	(00000)-()	LOCKWASHER, 3/8
14	916950	1	(00000)-()	NUT, Hex, Full, 3/8-16
15	157625	1	(00000)-()	FRONT LIFT LEVER ASSEMBLY
16	1683168	1	(00000)-()	LIFT SHAFT ASSEMBLY
17	171593	1	(00000)-()	LIFT LEVER ASSEMBLY
18	170975	2	(00000)-()	BEARING, Lift Lever
19	157624	2	(00000)-()	SET, Collar
20	928709	2	(00000)-()	SETSCREW, Cup Pt., 5/16-18 x 3/8
21	157652	4	(00000)-()	KEY
22	928734	2	(00000)-()	SETSCREW, Soc. Hd., 5/16-18 x 1/4
23	921977	2	(00000)-()	CAPSCREW, Hex Hd., 5/16-18 x 1-1/4
24	917356	2	(00000)-()	LOCKWASHER, 5/16
25	174954	1	(00000)-()	DECAL, Clutch
26	1653876	1	(00000)-()	BEARING, Pivot
27	928727	2	(00000)-()	CAPSCREW, Whiz, 3/8-16 x 1-1/4
28	928352	2	(00000)-()	NUT, Flange, 3/8-16
29	921212	4	(00000)-()	CAPSCREW, Hex Hd., 7/16-14 x 1-1/2
30	918199	4	(00000)-()	LOCKWASHER, 7/16
31	1655727	1	(00000)-()	DECAL, Parking Brake
32	176821	1	(00000)-()	DECAL, Shift Pattern
33	153166	1	(00000)-()	DECAL, Simplicity



NOTE: USE STANDARD HARDWARE
TORQUE SPEC. NO. 173209 UNLESS
OTHERWISE NOTED.

Ref. No.	Part No.	Qty.	Serial No.	Description
1	171376	2	{00000}-{ }	WHEEL & TIRE ASSEMBLY
2	156035	2	{00000}-{ }	VALVE STEM & CAP
3	157490	2	{00000}-{ }	TIRE, 16-6.50 x 8
4	164247	2	{00000}-{ }	TUBE, 16-6.50 x 8
5	171377	2	{00000}-{ }	WHEEL ASSEMBLY
6	154393	4	{00000}-{ }	CUP, Bearing
7	171378	2	{00000}-{ }	WHEEL
8	154486	4	{00000}-{ }	CONE, Bearing
9	171375	4	{00000}-{ }	SPACER
10	170168	2	{00000}-{ }	SEAL
11	8021010	3	{00000}-{ }	COLLAR, Ser
12	928691	2	{00000}-{ }	SETSCREW, Sq. Hd., Cup Pt., 5/16-18 x 5/16
13	154487	2	{00000}-{ }	CAP, Hub
14	171774	1	{00000}-{ }	SPINDLE ASSY, L.H.
15	108181	3	{00000}-{ }	WASHER
16	170998	1	{00000}-{ }	ARM, Steering, L.H.
17	157427	2	{00000}-{ }	KEY, Square
18	928721	2	{00000}-{ }	SETSCREW, 5/16-18 x 1/2
19	157494	1	{00000}-{ }	SPINDLE ASSY, R.H.
20	8061012	1	{00000}-{ }	WASHER
21	157286	1	{00000}-{ }	RING, Retaining, No. 75
22	927469	1	{00000}-{ }	CAPSCREW, Hex Hd., 1/2-13 x 2-1/4
23	918431	2	{00000}-{ }	WASHER, Plain, 1/2
24	157618	1	{00000}-{ }	SPACER
25	930648	1	{00000}-{ }	LOCKNUT, Hex, 1/2-13
26	913744	1	{00000}-{ }	NUT, Jam Hex, 1/2-13
27	1650653	1	{00000}-{ }	FRONT AXLE ASSY
28	154289	4	{00000}-{ }	BUSHING
29	914687	3	{00000}-{ }	FITTING, Grease
30	157499	1	{00000}-{ }	TIE ROD ASSY
31	154177	2	{00000}-{ }	SPACER
32	921210	2	{00000}-{ }	CAPSCREW, Hex Hd., 3/8-16 x 1-1/4
33	170988	1	{00000}-{ }	PINION, Bevel
34	917378	2	{00000}-{ }	WASHER, Plain, 3/8
35	923428	2	{00000}-{ }	LOCKNUT, Hex, 3/8-16
36	171830	1	{00000}-{ }	LINK, Drag
37	164272	2	{00000}-{ }	JOINT, Ball
38	919262	2	{00000}-{ }	NUT, Jam Hex, 1/2-20
39	930245	2	{00000}-{ }	LOCKNUT, Hex, 1/2-20
40	171832	1	{00000}-{ }	STEERING HOUSING ASSEMBLY
41	170980	1	{00000}-{ }	HOUSING, Steering
42	170992	1	{00000}-{ }	BUSHING
43	154258	2	{00000}-{ }	BEARING, Needle
44	170999	1	{00000}-{ }	STEERING ARM ASSEMBLY
45	170987	1	{00000}-{ }	GEAR, Bevel
46	918430	1	{00000}-{ }	WASHER, Plain, 7/16
47	924058	1	{00000}-{ }	LOCKNUT, Hex, 7/16-14
48	171020	1	{00000}-{ }	SHAFT, Steering
49	910224	1	{00000}-{ }	KEY, Woodruff, No. 6, 5/32 x 5/8

NOTE: PARTS REF. NO. 51-75 CONTINUED
ON THE FOLLOWING PAGE.

10/78



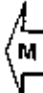

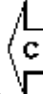
Ref. No.	Part No.	Qty.	Serial No.	Description
51	1602155	1	(00000)-()	"E" RING
52	171000	1	(00000)-()	PLATE, Steering
53	920415	2	(00000)-()	CAPSCREW, Hex Hd., 3/8-16 x 1-1/4
54	928731	2	(00000)-()	LOCKNUT, 3/8-16
55	173430	2	(00000)-()	WHEEL DRIVE
56	928734	1	(00000)-()	SETSCREW, Sq. Hd., 5/16-18 x 1/4
57	154264	1	(00000)-()	RING, Retaining
58	158223	3	(00000)-()	WASHER
59	1606342	1	(00000)-()	WHEEL, Steering
60	921977	1	(00000)-()	CAPSCREW, Hex Hd., 5/16-18 x 1-1/4
61	929001	1	(00000)-()	LOCKNUT, Flange, 5/16-18
*62	173431	2	(00000)-()	WHEEL & TIRE ASSEMBLY, 23-10.50 x 12
*63	157024	2	(00000)-()	TIRE 23-8.50 x 12
*64	157602	2	(00000)-()	TUBE, 23-8.50 x 12
65	172353	2	(00000)-()	STEM & VALVE CAP
66	173430	2	(00000)-()	WHEEL, Drive
67	8281100	10	(00000)-()	BOLT, Hub
**68	173432	2	(00000)-()	WHEEL & TIRE ASSEMBLY 23-10.50 x 12
**69	1605967	2	(00000)-()	TIRE, 23-10.50 x 12
**70	157638	2	(00000)-()	TUBE, 23-10.50 x 12



*FOR 1690015 ONLY

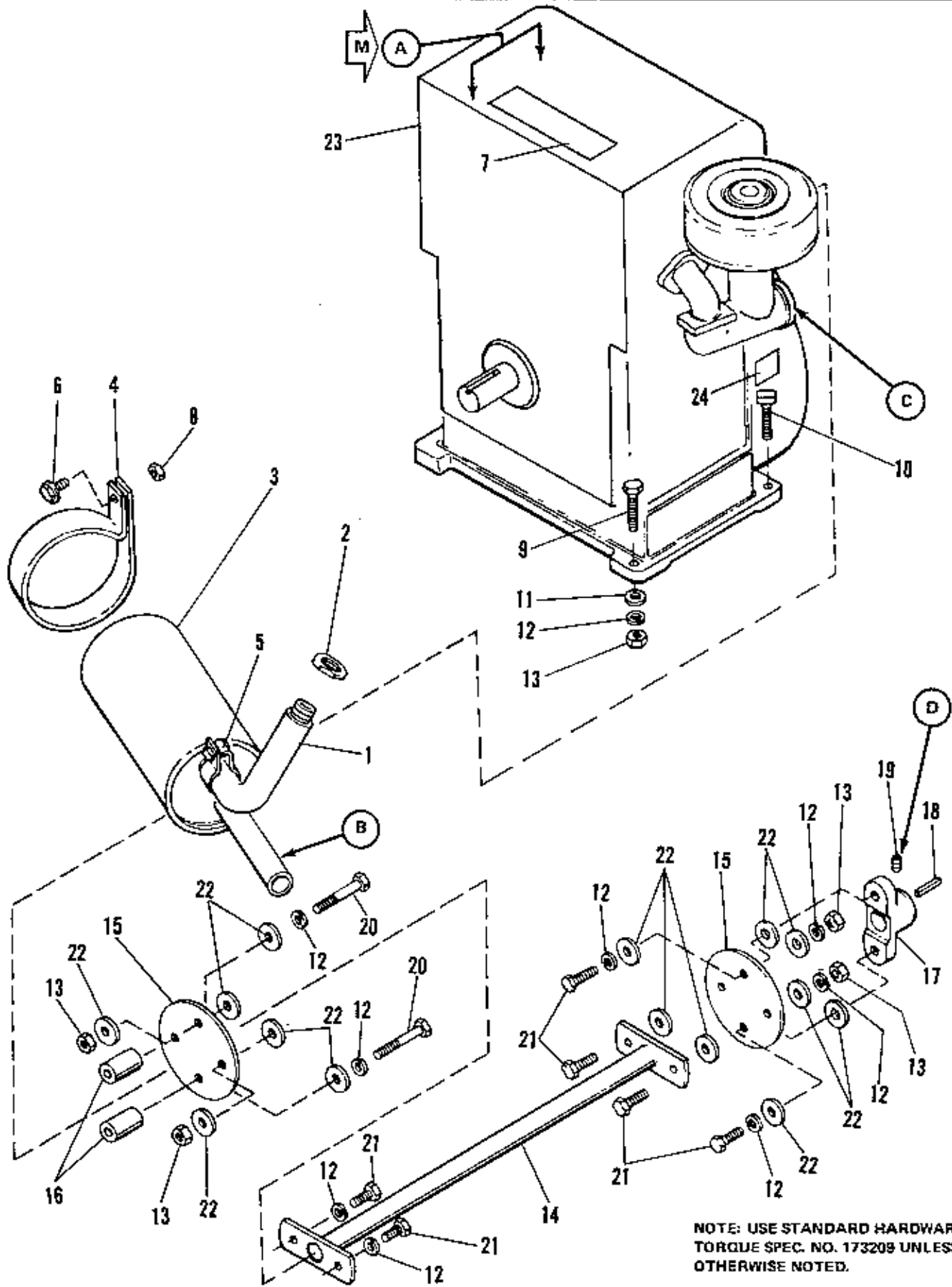
**FOR 1690232 AND 1690233 ONLY

NOTE: PARTS REF. NO. 1-50 FOUND ON
PRECEDING PAGE

WHEEL, AXLE & STEERING GROUP


- A. Torque to 13 Ft. Lbs. Min. (2 Places).
- B. 930633 Nut -- Torque to 40-60 Ft. Lbs. (2 Places). 
- C. Torque to 15-22 Ft. Lbs. (2 Places).
- D. Timing marks on pinion 170988 and gear 170987 must be in line. Do not brush grease on tooth surfaces of gear and pinion. 
- E. Torque 16-21 Ft. Lbs.
- F. Remove backlash in assembly by turning capscrew 917400 until backlash is set and lock by tightening locknut 928731 against plate 171000.
- G. Torque 25-33 Ft. Lbs.
- H. Torque nut 930648 to 80-100 Ft. Lbs. Lock nut in place after torquing by holding nut 930648 and tightening jam nut 913744 to 45-55 Ft. Lbs. 
- I. Axle assembly 1652104 must pivot freely after assembly. 
- J. Assembly items on front spindle in order listed.
 - a. 171375 spacer
 - b. 170168 seal
 - c. 154486 bearing
 - d. Wheel & Tire Assembly (171483 for 10 H.P. & 171376 for 13 & 16 H.P.)
 - e. 154486 bearing
 - f. 171375 spacer
 - g. 8021010 Collar & 928641 setscrew -- Torque setscrews to 9-10 Ft. Lbs. Min. 
 - h. 154487 hub cap

Apply lithium grease to bearings 154486 at time of assembly. After assembly is complete, bearings must rotate freely without end play. 
- K. Hold ball joints when tightening jam nuts (2 Places). 
- L. NOTE: Adjust length of drag link assembly 1650571 by positioning end ball joints so that front wheels will be in the straight ahead position when the steering gear arm is positioned at approx. 19° as shown. The steering wheel mounting hole \odot is to be parallel to fore and aft \odot of tractor.
- M. NOTE: Tire pressure as received from vendor = 20 PSI Min. at time of assembly.
- N. Use standard hardware torque Spec. No. 173209 unless otherwise noted.
- O. Apply grease to spindle bearings (2 Places).



NOTE: USE STANDARD HARDWARE
TORQUE SPEC. NO. 173209 UNLESS
OTHERWISE NOTED.

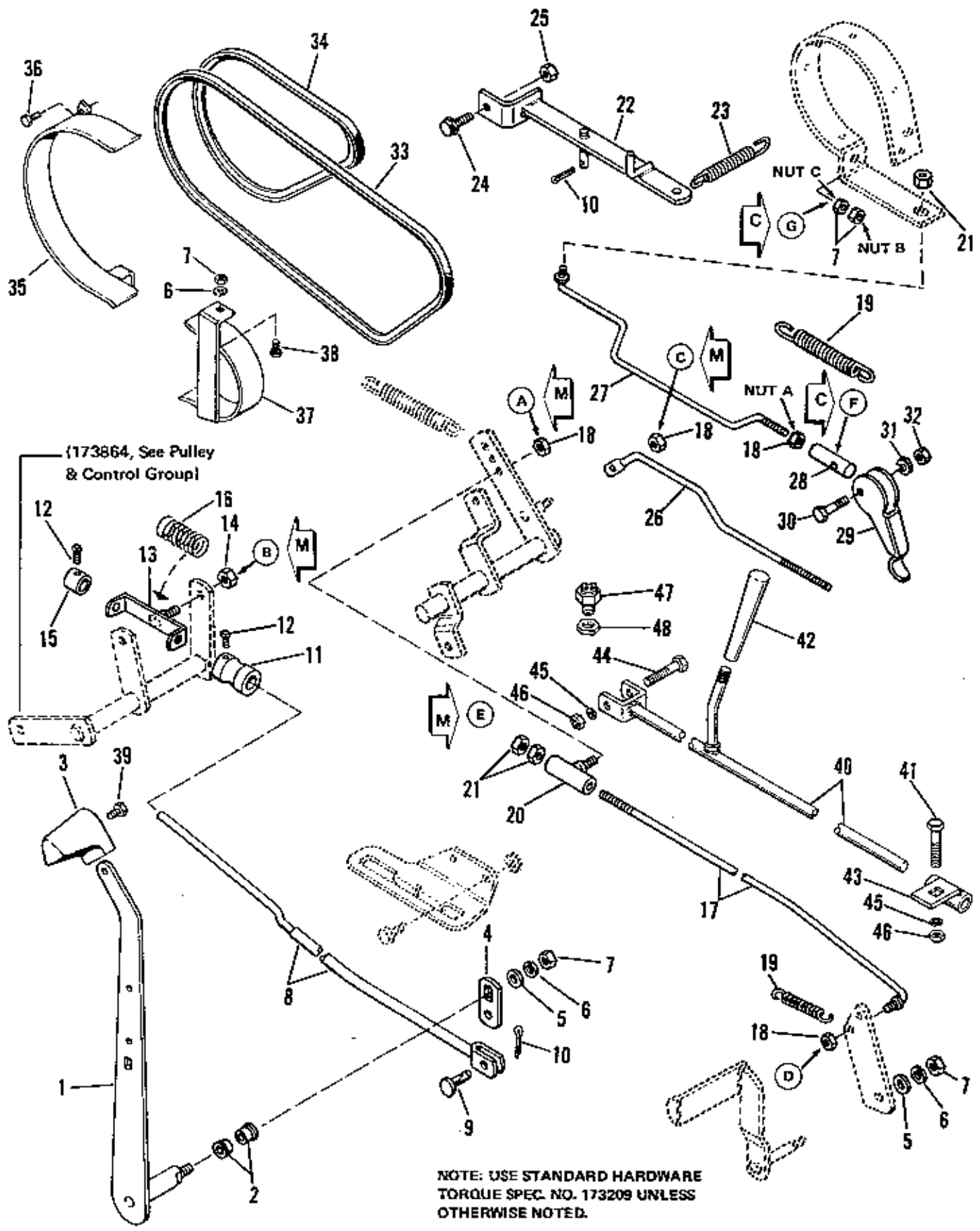
Ref. No.	Part No.	Qty.	Serial No.	Description
1	1656492	1	(00000)-()	ELBOW & NIPPLE ASSY
2	154378	1	(00000)-()	LOCKNUT
3	170456	1	(00000)-()	MUFFLER, Exhaust
4	171880	1	(00000)-()	STRAP, Muffler
5	172061	1	(00000)-()	CLAMP, Muffler
6	933689	1	(00000)-()	SCREW, Hex, Whizlock Flange, 5/16-18 x 1-1/2
7	157096	1	(00000)-()	DECAL, Caution
8	927557	1	(00000)-()	NUT, Hex, 5/16-18
9	921969	3	(00000)-()	CAPSCREW, Hex. Hd., 3/8-16 x 1-1/2
10	172455	1	(00000)-()	CAPSCREW, Hex Hd., 3/8-16 x 1-5/16
11	917378	4	(00000)-()	WASHER, 3/8
12	916965	12	(00000)-()	LOCKWASHER, 3/8
13	916950	8	(00000)-()	NUT, Hex, 3/8-16
14	172328	1	(00000)-()	SHAFT ASSY, Drive
15	173026	2	(00000)-()	COUPLING
16	1656397	2	(00000)-()	SPACER
17	172264	1	(00000)-()	FLANGE, Drive Shaft
18	157427	1	(00000)-()	KEY, Drive Shaft
19	924624	1	(00000)-()	SETSCREW, 3/8-24 x 3/8
20	922130	2	(00000)-()	CAPSCREW, Hex Hd., 3/8-16 x 2-1/4
21	920415	6	(00000)-()	CAPSCREW, Hex Hd., 3/8-16 x 1-1/4
22	157424	16	(00000)-()	WASHER, Special
23		1	(00000)-()	ENGINE, 13 H.P., Briggs & Stratton
24	172707	1	(00000)-()	FILM, Oil Level Instructions

- A. Remove two head bolts, attach bracket No. 1656452 and torque head bolts to 190 In./Lbs. 
- B. When muffler is assembled onto engine, exhaust pipe must line up with hole in side of hood.
- C. Choke button to be pushed in on dash panel and choke lever on carburetor to be in open position before tightening clamp bolt.
- D. Tighten setscrew after drive shaft assembly has been secured to engine flywheel adaptor.

Use standard hardware torque Spec. No. 173209 unless otherwise noted.

THROTTLE ADJUSTMENT

1. Place throttle lever on dash in full throttle position – up and forward against stop.
2. Install end of throttle control cable wire into engine throttle control rod.
3. Raise engine throttle rod until lower adjusting nut is against stop.
4. Hold lower adjusting nut up against stop and secure cable clamp.
5. Move throttle control lever through full range and back to full throttle position to check adjustment.



NOTE: USE STANDARD HARDWARE
TORQUE SPEC. NO. 173209 UNLESS
OTHERWISE NOTED.

Shuttle Control & Brake Group


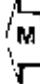

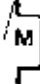
10/78

Ref. No.	Part No.	Qty.	Serial No.	Description
1	171072	1	{00000}-{	LEVER ASSY
2	108419	2	{00000}-{	BUSHING
3	171165	1	{00000}-{	KNOB
4	164123	1	{00000}-{	LINK
5	917378	1	{00000}-{	WASHER, 3/8
6	916985	2	{00000}-{	LOCKWASHER, 3/8
7	916950	4	{00000}-{	NUT, Hex, Full, 3/8-16
8	173876	1	{00000}-{	ROD ASSY
9	1651167	1	{00000}-{	PIN
10	918447	2	{00000}-{	PIN, Cotter, 3/32 x 3/4
11	174855	1	{00000}-{	DETENT, Brake
12	928804	2	{00000}-{	SETSCREW, 1/4-20 x 3/8
13	175335	1	{00000}-{	GUIDE ASSY, Rod
14	930628	1	{00000}-{	NUT, Hex, Lock, 3/8-24
15	105201	1	{00000}-{	COLLAR, Set
16	162065	1	{00000}-{	SPRING
17	174105	1	{00000}-{	ROD ASSY, Brake & Control
18	923362	5	{00000}-{	NUT, Hex, Lock, 5/16-18
19	121037	2	{00000}-{	SPRING
20	164094	1	{00000}-{	GUIDE ASSY, Rod
21	917372	3	{00000}-{	NUT, Hex, Full, 5/16-18
22	174852	1	{00000}-{	LEVER ASSY, Brake
23	175290	1	{00000}-{	SPRING
24	174854	1	{00000}-{	PAD ASSY, Brake
25	920161	1	{00000}-{	NUT, Hex, Jam, 5/16-18
26	172722	1	{00000}-{	ROD, Brake
27	174708	1	{00000}-{	ROD ASSY, Parking Brake
28	171994	1	{00000}-{	ROD, End
29	172108	1	{00000}-{	LEVER, Parking Brake
30	928745	1	{00000}-{	CAPSCREW, Hex Hd., 1/4-20 x 1-1/4
31	930666	1	{00000}-{	LOCKWASHER, Dbl., 1/4
32	923329	1	{00000}-{	NUT, Hex, Lock, 1/4-20
33	174731	1	{00000}-{	"V" BELT
34	174883	1	{00000}-{	"V" BELT
35	174394	1	{00000}-{	GUARD ASSY, Pulley
36	930601	2	{00000}-{	SCREW, Taptite, 5/16-16 x 5/8
37	174424	1	{00000}-{	GUARD ASSY, Belt
38	922110	1	{00000}-{	BOLT, Carriage, 3/8-16 x 3/4
39	925592	1	{00000}-{	SCREW, Thd. Forming, 1/4-20 x 7/8
40	171559	1	{00000}-{	ROD ASSY, Shift
41	930570	1	{00000}-{	CAPSCREW, Hex Hd., 5/16-18 x 1-1/2
42	164180	1	{00000}-{	HANDLE, Shift Rod
43	157020	1	{00000}-{	GUIDE ASSY, Shift Assy
44	923341	1	{00000}-{	CAPSCREW, Hex Hd., 1/4-20 x 3/4
45	916964	1	{00000}-{	LOCKWASHER, 5/16
46	916622	1	{00000}-{	NUT, Hex, Lock, 5/16-18
47	177522	1	{00000}-{	SWITCH, Interlock
48	930647	1	{00000}-{	NUT, Pal

H. ADJUSTMENT PROCEDURE

1. Set forward-reverse control lever (item 1) in neutral position.
 2. Center notch of 174855 brake detent (item 11) & pin on 174852 brake lever assy (item 22). Tighten setscrew.
 3. Set forward-reverse control lever (item 1) in neutral position.
 4. Adjust 174854 brake pad assy (item 24) to provide 1/8 inch clearance between brake pad & sheave, tighten jam nut.
 5. Set forward-reverse control lever (item 1) in neutral position.
 6. Push rod guide assy (item 13) forward until slack is removed from forward drive belt. Tighten setscrew.
 7. Adjust set collar (item 15) to obtain 1/8 to 3/16 gap between the rod guide (item 13) and set collar, when the forward-reverse control lever (item 1) is in the forward notch.
 8. Set forward-reverse control lever (item 1) in neutral position.
 9. Remove slack from brake band (group 981327, item 31). Align pivot pin & hole in lever. Install pivot & fasten with hairpin cotter.
 10. Lubricate brake detent (item 11) with 173719 (Lithium No.2) grease.
- J. Use Standard Hardware Torque Spec. 173209 Unless Otherwise Noted.

BRAKE AND LEVER GROUP – SHUTTLE

- A. Tighten nut until guide 164094 is secure but free to pivot. 
- B. Tighten nut until bracket 175335 is secure but free to pivot. 
- C. Tighten nut until rod 172722 is secure but free to pivot. 
- D. Nut must be snug but free to pivot.
- E. CLUTCH FREE TRAVEL ADJUSTMENT 
 - 1. Rotate belt drive a minimum of 3 revolutions.
 - 2. Make sure clutch pedal is released & clutch is as far to the rear as it will go.
 - 3. Adjust double nuts for .25 between nuts & rod guide & lock together.

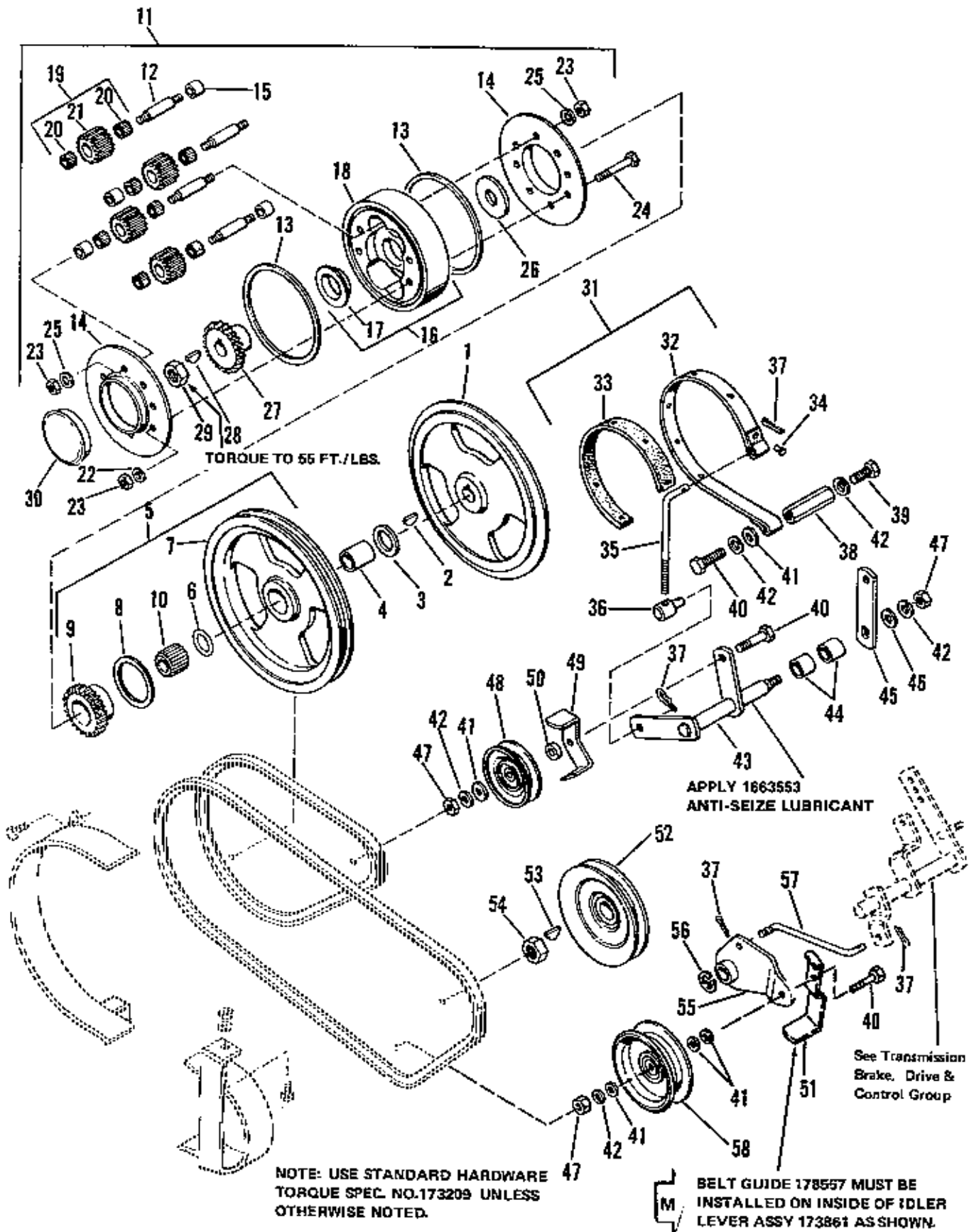
**F. PARKING BRAKE ADJUSTMENT**

- 1. Loosen nut "A".
- 2. Rotate parking brake lever 172108 to adjust parking brake. Turn lever one complete turn when making adjustments.
- 3. To lock parking brake, rotate lever up towards seat deck until lever is against upper area of footrest.
- 4. After adjustment, parking brake must hold the vehicle in any direction when parked on a 16.7° (30 percent) slope – (Ref. ANSI STD. B-71.1 – 1972 – P. P. 18.3).
- 5. After parking brake is properly adjusted, secure adjustment tightening nut "A".

**G. FOOT PEDAL BRAKE ADJUSTMENT**

After parking brake & clutch free travel adjustments have been completed, adjust foot pedal brake as follows:

- 1. Lock parking brake.
- 2. Depress foot pedal until transmission drive belt clutch is fully engaged & hold.
- 3. Turn foot pedal adjustment nut "B" against the brake band to limit travel of foot pedal to the foot pedal position established in paragraph 2 above.
- 4. Lock adjustment nut "C" against adjustment nut "B" to secure brake adjustment.
- 5. Check Brake –
 - 1. Transmission drive belt clutch must be fully engaged before service brake engages.
 - 2. After adjustment, brake must stop tractor motion in both directions in a braking distance of 2 feet for each M.P.H. of maximum vehicle velocity. This shall be accomplished with a maximum force of 50 lbs. applied to the brake foot pedal (Ref. ANSI STD. B-71.1 – 1972 P.P. 18.2).

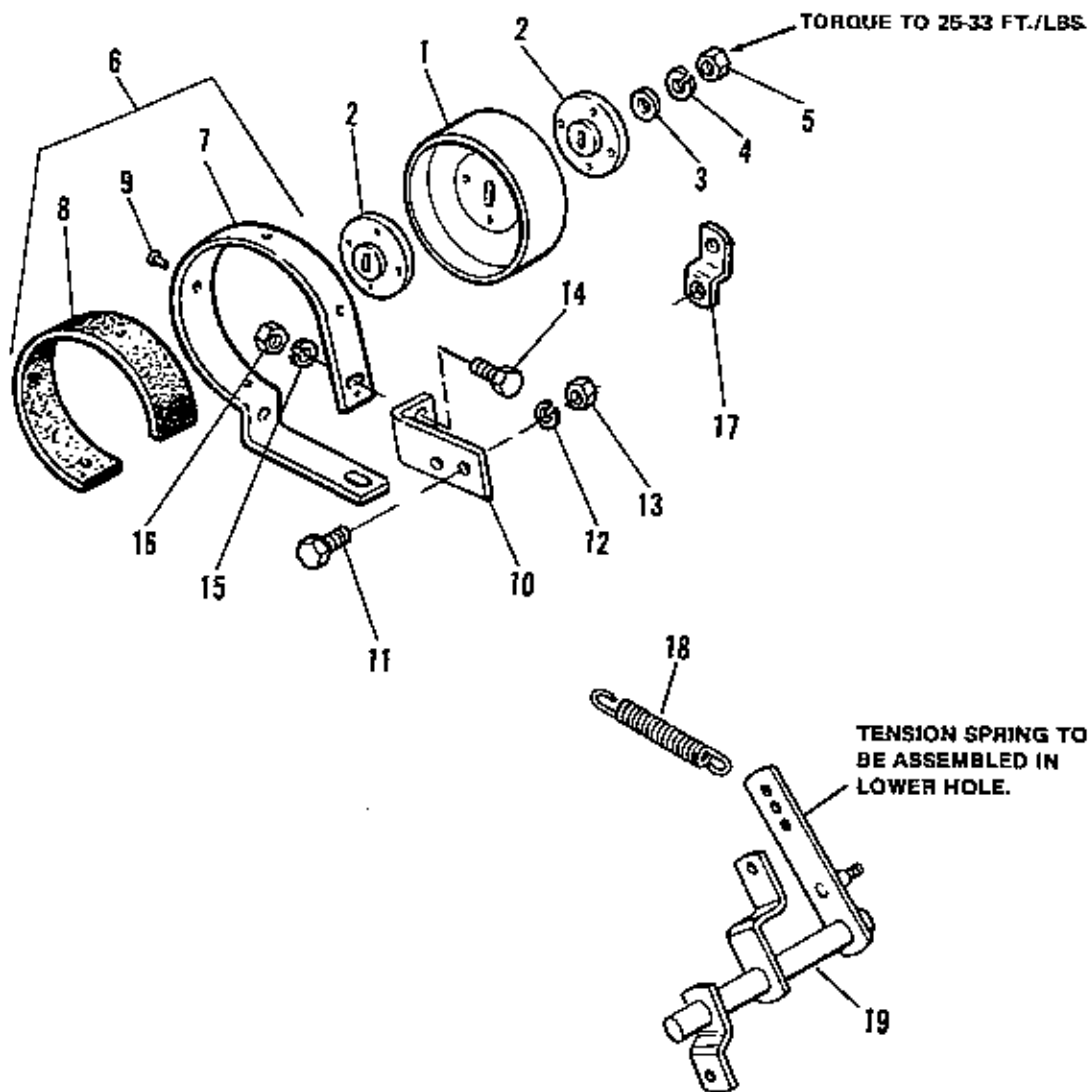


Pulley & Planetary Group

10/78

Ref. No.	Part No.	Qty.	Serial No.	Description
1	173793	1	{00000}-{ }	PULLEY, Half
2	905123	1	{00000}-{ }	KEY, Woodruff, No. 9
3	174570	1	{00000}-{ }	BEARING, Thrust
4	174568	1	{00000}-{ }	RACE, Inner
5	176255	1	{00000}-{ }	PULLEY ASSY
6	118018	1	{00000}-{ }	SEAL
7	173794	1	{00000}-{ }	PULLEY
8	174981	1	{00000}-{ }	SEAL
9	175712	1	{00000}-{ }	GEAR, Sun
10	177343	1	{00000}-{ }	BEARING, Needle
11	176256	1	{00000}-{ }	PLANETARY ASSY
12	174025	4	{00000}-{ }	PIN, Pinion
13	174399	2	{00000}-{ }	"O" RING
14	174404	2	{00000}-{ }	COVER, Differential
15	174569	4	{00000}-{ }	BEARING, Sleeve
16	174586	1	{00000}-{ }	CARRIER SUB- ASSY, Planetary
17	173789	1	{00000}-{ }	BEARING, Flange
18	173795	1	{00000}-{ }	CARRIER, Planetary
19	176257	4	{00000}-{ }	PINION ASSY, Planetary
20	174567	2	{00000}-{ }	BEARING, Needle
21	175710	1	{00000}-{ }	PINION, Planetary
22	917356	4	{00000}-{ }	LOCKWASHER, 5/16
23	917372	12	{00000}-{ }	NUT, Hex, Full, 5/16-18
24	921978	4	{00000}-{ }	CAPSCREW, Hex Hd., 5/16-18 x 2
25	923300	8	{00000}-{ }	LOCKWASHER, Internal, 5/16
26	174274	1	{00000}-{ }	WASHER, Thrust
27	175714	1	{00000}-{ }	GEAR, Sun
28	905123	1	{00000}-{ }	KEY, Woodruff, No. 9
29	922133	1	{00000}-{ }	NUT, Hex, Jam, Lock, 3/4-16
30	174584	1	{00000}-{ }	CAP, Hub
31	174381	1	{00000}-{ }	BRAKE BAND ASSY
32		1	{00000}-{ }	BAND, Brake
33	174383	1	{00000}-{ }	LINING
34	926021	6	{00000}-{ }	RIVET, No. 7 x 1/4
35	174385	1	{00000}-{ }	ROD
36	108172	1	{00000}-{ }	PIVOT
37	918447	4	{00000}-{ }	PIN, Cotter, 3/32 x 3/4
38	174386	1	{00000}-{ }	ANCHOR, Brake
39	921210	1	{00000}-{ }	CAPSCREW, Hex Hd., 3/8-16 x 1
40	921969	3	{00000}-{ }	CAPSCREW, Hex Hd., 3/8-16 x 1-1/2
41	917642	6	{00000}-{ }	WASHER, 5/16
42	916965	5	{00000}-{ }	LOCKWASHER, 3/8
43	173664	1	{00000}-{ }	LEVER ASSY
44	118092	2	{00000}-{ }	BUSHING
45	174427	1	{00000}-{ }	LEVER
46	917378	1	{00000}-{ }	WASHER, 3/8
47	916950	3	{00000}-{ }	NUT, Hex, Full, 3/8-16
48	174561	1	{00000}-{ }	PULLEY
49	174402	1	{00000}-{ }	GUIDE, Belt
50	174870	1	{00000}-{ }	SPACER
51	178557	1	{00000}-{ }	GUIDE, Belt
52	174359	1	{00000}-{ }	PULLEY
53	930670	1	{00000}-{ }	KEY
54	922133	1	{00000}-{ }	NUT, Hex, Jam, Lock, 3/4-16
55	173861	1	{00000}-{ }	LEVER ASSY, Idler
56	1602155	1	{00000}-{ }	"E" RING
57	164088	1	{00000}-{ }	LINK, Clutch
58	174497	1	{00000}-{ }	PULLEY

NOTE: PACK 176256 PLANETARY ASSY WITH 4 OUNCES OF 173719 LITHIUM NO. 2 GREASE.



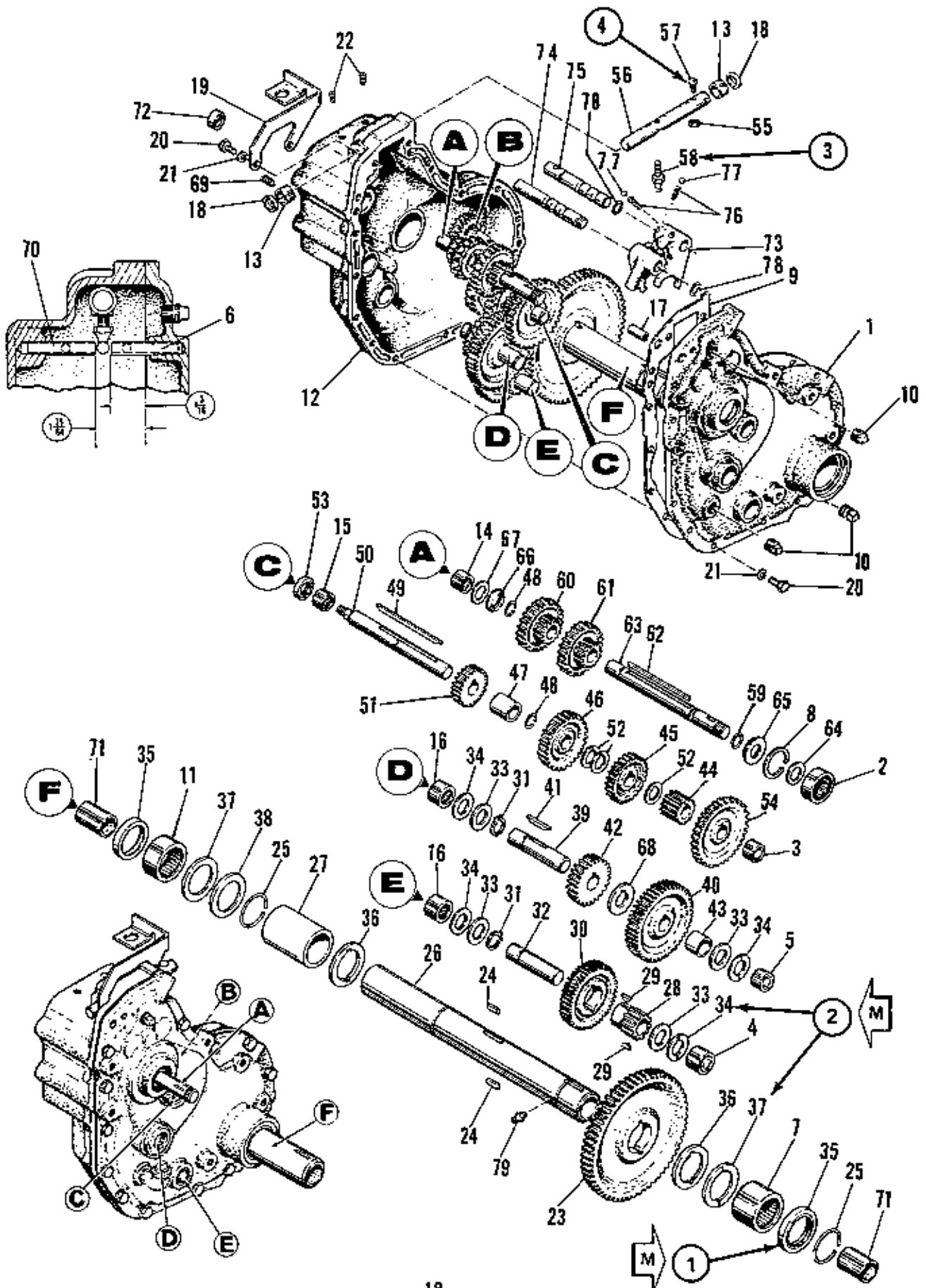
NOTE: USE STANDARD HARDWARE
TORQUE SPEC. NO. 173209 UNLESS
OTHERWISE NOTED.

Transmission Brake, Drive & Control Group

10/78

Ref. No.	Part No.	Qty.	Serial No.	Description
1	157282	1	{00000}-{ }	DRUM, Brake
2	158196	2	{00000}-{ }	WASHER, Special
3	917378	1	{00000}-{ }	WASHER, 3/8
4	918199	1	{00000}-{ }	LOCKWASHER, 7/16
5	918213	1	{00000}-{ }	NUT, Hex, Full, 7/16-14
6	171497	1	{00000}-{ }	BAND ASSY, Brake
7		1	{00000}-{ }	BAND, Brake
8	154133	1	{00000}-{ }	LINING, Brake
9	907166	4	{00000}-{ }	RIVET, Tubular
10	164133	1	{00000}-{ }	BRACKET, Brake Band
11	921210	2	{00000}-{ }	CAPSCREW, Hex Hd., 3/8-16 x 1
12	916965	2	{00000}-{ }	LOCKWASHER, 3/8
13	916950	2	{00000}-{ }	NUT, Hex, Full, 3/8-16
14	923341	2	{00000}-{ }	CAPSCREW, Hex Hd., 1/4-20 x 3/4
15	916964	2	{00000}-{ }	LOCKWASHER, 1/4
16	916622	2	{00000}-{ }	NUT, Hex, Full, 1/4-20
17	174893	1	{00000}-{ }	CLIP, Spring
18	174896	1	{00000}-{ }	SPRING
19	172724	1	{00000}-{ }	LEVER ASSY, Pivot

*NOTE: To Service Brake Band Ref. No. 7, Order Ref. No. 6 Brake Band Assy.



Ref. No.	Part No.	Qty.	Serial No.	Description
1	164226	1	(00000)-()	COVER, Gear Case
2	108202	1	(00000)-()	BEARING, Ball
3	154257	1	(00000)-()	BEARING, Needle
4	154258	1	(00000)-()	BEARING, Needle
5	154271	1	(00000)-()	BEARING, Needle
6	154537	1	(00000)-()	ROLL PIN ASSEMBLY
7	157520	1	(00000)-()	BEARING, Needle
8	164064	1	(00000)-()	RING, Retaining
9	164234	1	(00000)-()	GASKET, Gear Case
10	901653	3	(00000)-()	PLUG, Pipe, Sq. Hd., 3/8
11	157519	1	(00000)-()	BEARING, Needle
12	174582	1	(00000)-()	GEAR CASE ASSEMBLY
13	121084	2	(00000)-()	SPACER, Diff.
14	154257	1	(00000)-()	BEARING, Needle
15	154258	1	(00000)-()	BEARING, Needle
16	154258	2	(00000)-()	BEARING, Needle
17	918113	2	(00000)-()	PIN, Spring, 3/8 x 1
18	157519	2	(00000)-()	SEAL, Oil
19	164251	1	(00000)-()	SUPPORT, Switch
20	921333	16	(00000)-()	CAPSCREW, Hex Hd., 5/16-18 x 1
21	917356	16	(00000)-()	LOCKWASHER, 5/16
22	917231	2	(00000)-()	SETSCREW, Soc. Hd., 5/16-18 x 1/2
23	154095	1	(00000)-()	GEAR, Drive
24	154096	2	(00000)-()	KEY
25	154258	2	(00000)-()	RING, Snap
26	164222	1	(00000)-()	TUBE & BUSHING ASSEMBLY
27	154096	1	(00000)-()	SPACER, Axle Tube
28	154092	1	(00000)-()	PINION, 3rd Interm.
29	910224	2	(00000)-()	KEY, Woodruff, No. 6
30	164051	1	(00000)-()	GEAR, 3rd Interm.
31	154266	2	(00000)-()	RING, Retaining
32	154091	1	(00000)-()	SHAFT, 3rd Interm.
33	172978	4	(00000)-()	WASHER
34	172979	4	(00000)-()	WASHER
35	154269	2	(00000)-()	SEAL
36	154130	2	(00000)-()	WASHER, Axle Tube
37	172977	2	(00000)-()	WASHER, Axle Tube
38	154097	1	(00000)-()	WASHER, Axle Tube
39	154086	1	(00000)-()	SHAFT, 2nd Interm.
40	154089	1	(00000)-()	GEAR, 2nd Interm.
41	154267	1	(00000)-()	KEY
42	164062	1	(00000)-()	PINION, 2nd Interm.
43	154090	1	(00000)-()	SPACER
44	154079	1	(00000)-()	PINION, 1st Interm.
45	154080	1	(00000)-()	PINION, Driver III
46	154081	1	(00000)-()	GEAR, Driver II
47	154082	1	(00000)-()	SPACER
48	154264	2	(00000)-()	RING, Retaining
49	154354	1	(00000)-()	KEY
50	157290	1	(00000)-()	SHAFT, 1st Interm.

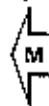
NOTE: PARTS REF. NO. 51-86 CONTINUED
ON THE FOLLOWING PAGE.

Ref. No.	Part No.	Qty.	Serial No.	Description
51	174228	1	(00000)-()	PINION, Rev. & IV
52	8061012	3	(00000)-()	WASHER
53	154263	1	(00000)-()	SEAL, Oil
54	154078	1	(00000)-()	GEAR, Driven I
55	920161	1	(00000)-()	NUT, Jam Hex, 5/16-18
56	1665526	1	(00000)-()	ROD, Shift
57	172241	1	(00000)-()	BOLT CARRIAGE, Special
58	172779	1	(00000)-()	STEM, Shift
59	118134	1	(00000)-()	RING, Retaining
60	174234	1	(00000)-()	GEAR ASSY
61	154075	1	(00000)-()	PINION ASSEMBLY I & II
62	164294	1	(00000)-()	KEY
63	173807	1	(00000)-()	SHAFT, Pulley
64	1664241	1	(00000)-()	WASHER
65	154462	1	(00000)-()	WASHER
66	172981	1	(00000)-()	WASHER
67	172982	1	(00000)-()	WASHER
68	154038	1	(00000)-()	WASHER
69	929277	1	(00000)-()	SCREW, Set, 3/8-16 x 3/8
70	154538	1	(00000)-()	ROLL PIN ASSY
71	1663120	2	(00000)-()	BEARING, Needle
72	174583	1	(00000)-()	PLUG, Expansion
73	154069	2	(00000)-()	FORK, Shift
74	154067	1	(00000)-()	SHAFT, Shifter
75	154068	1	(00000)-()	SHAFT, Shifter, Hi-Lo
76	154323	2	(00000)-()	SPRING
77	154262	2	(00000)-()	BALL, Shiftlock
78	8061048	2	(00000)-()	RING, Retaining
79	914687	1	(00000)-()	FITTING, Grease

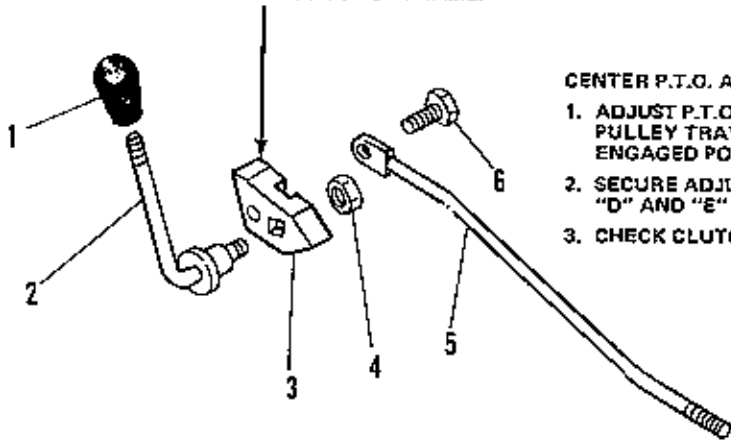
NOTE: PARTS REF. NO. 1-50 FOUND ON
PRECEDING PAGE.

TRANSMISSION GROUP

1. Grease inside of lips of all seals before installation. Install seals with springs toward inside.
2. All fabric washers to be installed with groove facing inside of case and cover.
3. Apply Loctite and torque to 18-23 Ft./Lbs.
4. Adjust carriage bolt to proper height so that safety switch will make contact when transmission is in neutral position.
5. Use Standard Hardware Torque Spec. No. 173209 unless otherwise noted.

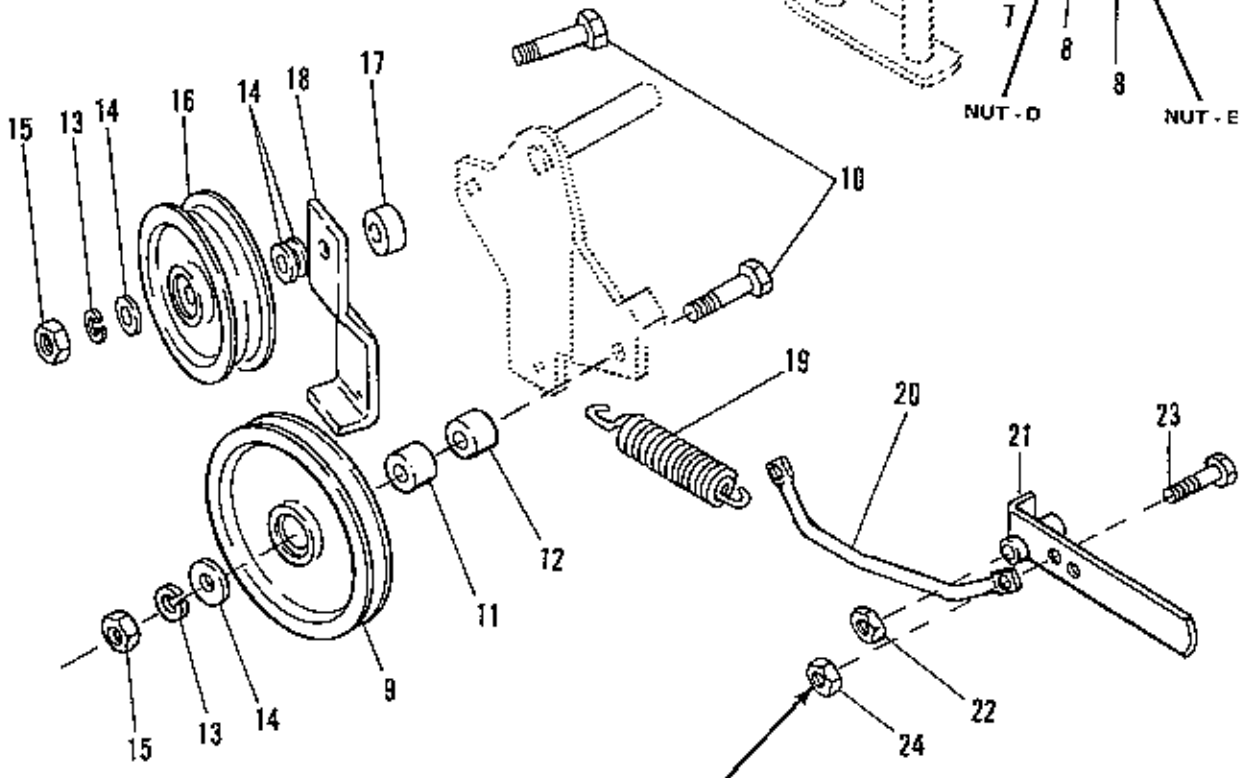
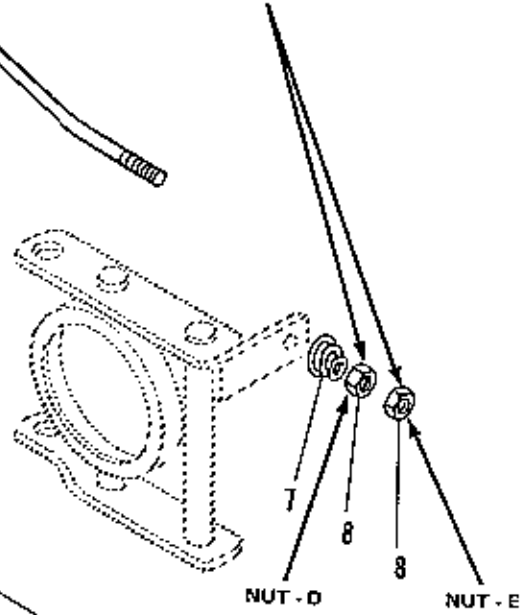
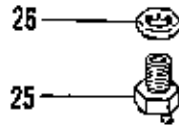


ADJUST P.T.O. INTERLOCK SWITCH 177522 TO MAKE CONTACT WHEN LEVER 173991 IS RESTING AGAINST TOP OF FRAME.



CENTER P.T.O. ADJUSTMENT

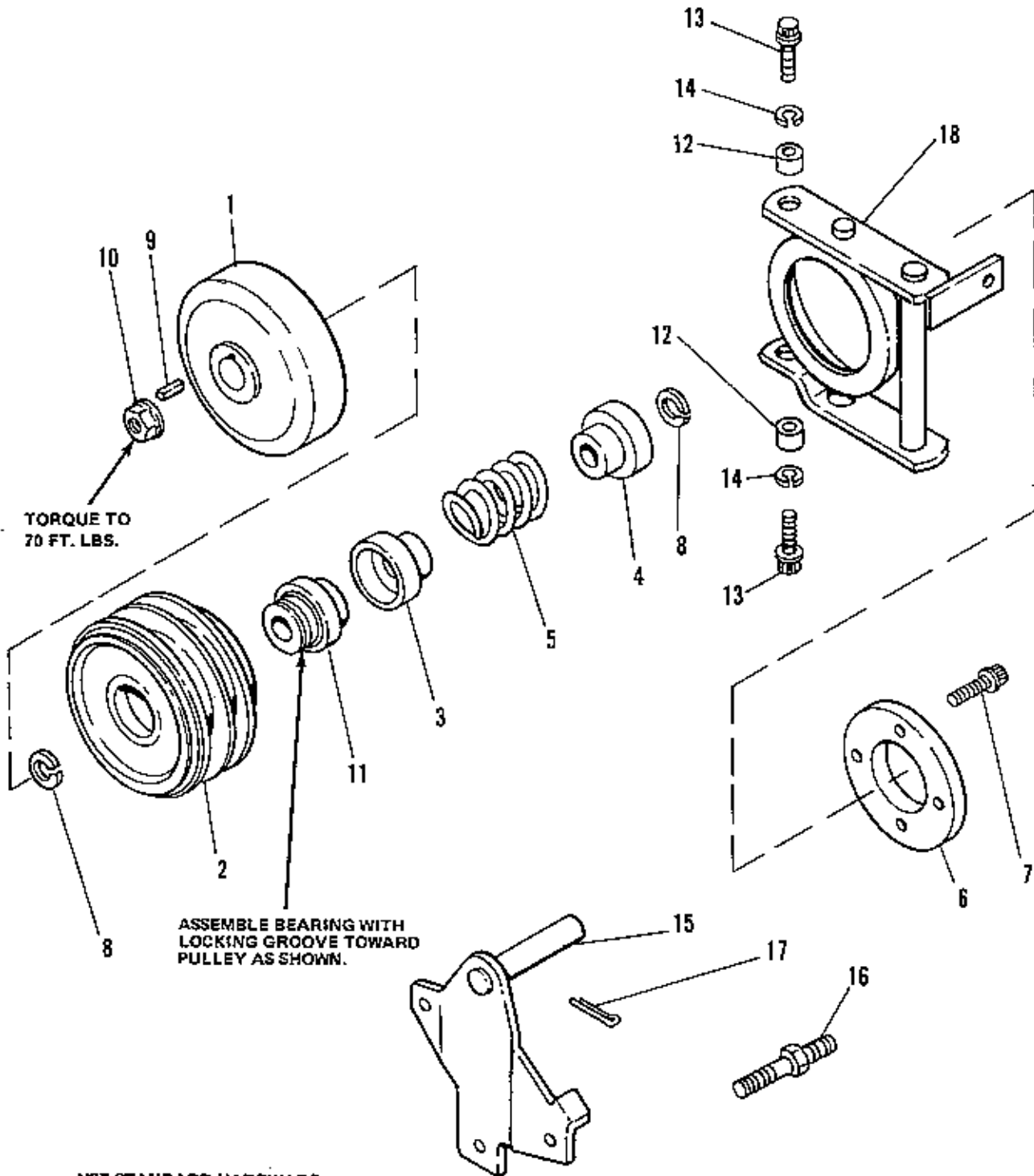
1. ADJUST P.T.O. ADJUSTMENT NUT "D" UNTIL PULLEY TRAVEL FROM ENGAGED TO DIS-ENGAGED POSITION EQUALS .12 INCHES.
2. SECURE ADJUSTMENT BY LOCKING NUTS "D" AND "E" TOGETHER.
3. CHECK CLUTCH FOR PROPER DISENGAGEMENT.



USE STANDARD HARDWARE TORQUE SPEC. NO. 173209 UNLESS OTHERWISE NOTED.

HANDLE ASSEMBLY MUST PIVOT FREELY AFTER NUT IS TIGHTENED.

Ref. No.	Part No.	Qty.	Serial No.	Description
1	172038	1	{00000}-{ }	KNOB
2	174864	1	{00000}-{ }	HANDLE, Clutch P.T.O.
3	173991	1	{00000}-{ }	LEVER
4	930651	1	{00000}-{ }	LOCKNUT, Hex, 3/8-16
5	173988	1	{00000}-{ }	CONTROL ROD ASSEMBLY
6	174886	1	{00000}-{ }	CAPSCREW, Special
7	175316	1	{00000}-{ }	SPRING
8	917372	2	{00000}-{ }	NUT, Hex, Full, 5/16-18
9	173982	1	{00000}-{ }	PULLEY
10	923701	2	{00000}-{ }	CAPSCREW, Hex Hd., 3/8-16 x 2
11	170291	1	{00000}-{ }	SPACER
12	172329	1	{00000}-{ }	SPACER
13	916965	2	{00000}-{ }	LOCKWASHER, 3/8
14	917642	4	{00000}-{ }	WASHER, 5/16
15	916950	2	{00000}-{ }	NUT, Hex, Full, 3/8-16
16	1657712	1	{00000}-{ }	PULLEY
17	157081	1	{00000}-{ }	SPACER
18	170289	1	{00000}-{ }	STOP, Belt
19	157262	1	{00000}-{ }	SPRING, Tension
20	164047	1	{00000}-{ }	ROD, Tension
21	164155	1	{00000}-{ }	HANDLE ASSEMBLY
22	924058	1	{00000}-{ }	LOCKNUT, Hex, 7/16-14
23	921332	1	{00000}-{ }	CAPSCREW, Hex Hd., 5/16-18 x 3/4
24	923362	1	{00000}-{ }	LOCKNUT, Hex, 5/16-18
25	177522	1	{00000}-{ }	SWITCH, Interlock
26	930647	1	{00000}-{ }	NUT, Pat



TORQUE TO
70 FT. LBS.

ASSEMBLE BEARING WITH
LOCKING GROOVE TOWARD
PULLEY AS SHOWN.

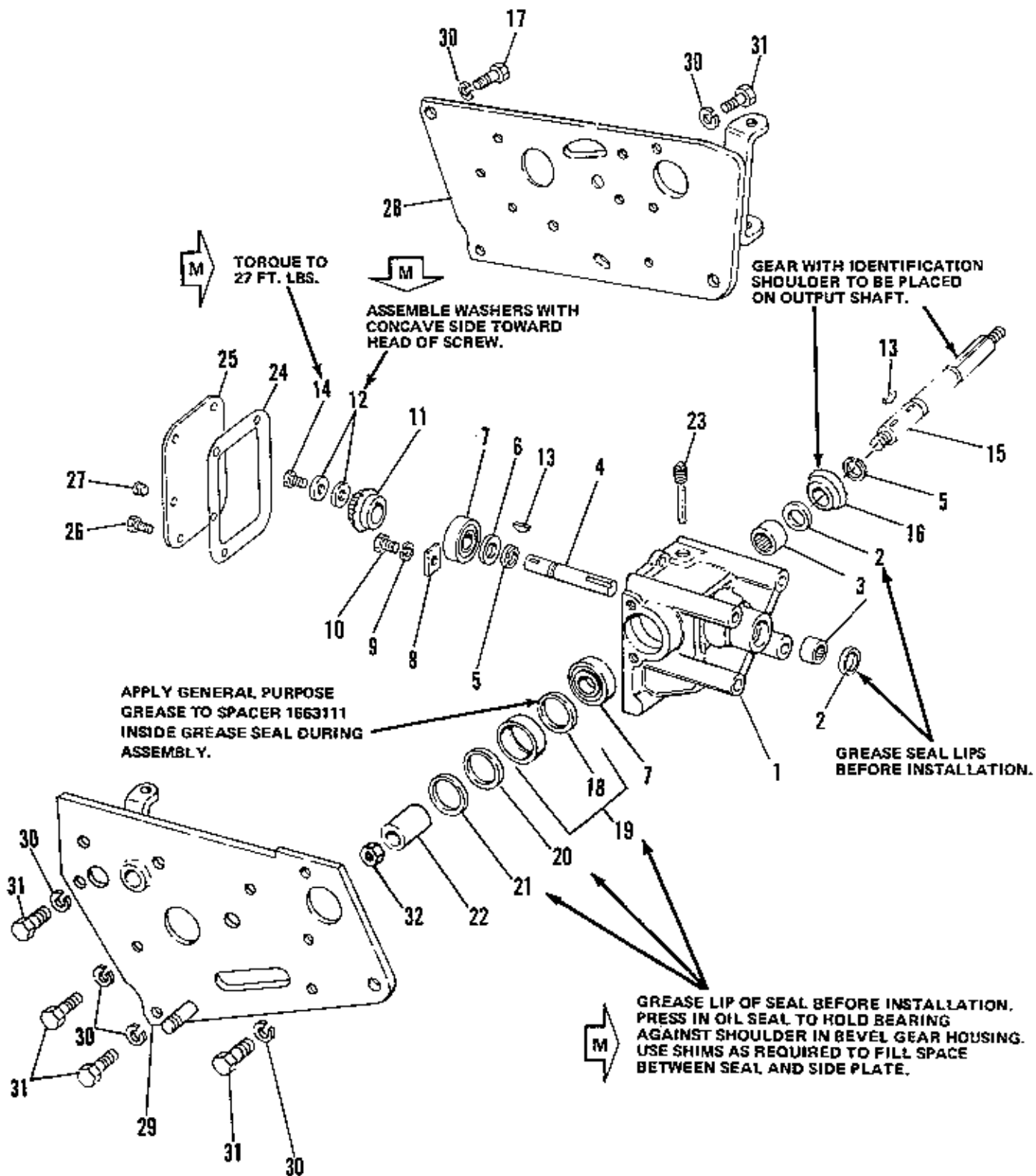
USE STANDARD HARDWARE
TORQUE SPEC. NO. 173209
UNLESS OTHERWISE NOTED.

Ref. No.	Part No.	Qty.	Serial No.	Description
1	174862	1	{00000}-{ }	CLUTCH PLATE ASSEMBLY
2	1650304	1	{00000}-{ }	PULLEY
3	1650252	1	{00000}-{ }	GUIDE, Spring
4	1650264	1	{00000}-{ }	GUIDE, Spring
5	171772	1	{00000}-{ }	SPRING
6	173957	1	{00000}-{ }	DISC, Brake
7	920036	4	{00000}-{ }	CAPSCREW, Skt. Hd., 1/4-20 x 5/8
8	172206	2	{00000}-{ }	RING, Retaining
9	8061081	1	{00000}-{ }	KEY
10	922133	1	{00000}-{ }	LOCKNUT, Flange, .750-16
11	1650254	1	{00000}-{ }	BEARING ASSEMBLY
12	171371	2	{00000}-{ }	SPACER
13	1651450	2	{00000}-{ }	SCREW, Thd. Forming
14	917356	2	{00000}-{ }	LOCKWASHER, 5/16
15	174455	1	{00000}-{ }	PIVOT ARM ASSEMBLY
16	157273	1	{00000}-{ }	STUD
17	918459	1	{00000}-{ }	PIN, Cotter, 3/16 x 1-1/2
18	1650906	1	{00000}-{ }	PIVOT ASSEMBLY

Lift Lever & Cable Group

10/78

Ref. No.	Part No.	Qty.	Serial No.	Description
1	1651389	1	{00000}-{ }	LIFT LEVER ASSEMBLY
2	173039	1	{00000}-{ }	LATCH, Lift Lever
3	981391	1	{00000}-{ }	PIN, Spring, 3/8 x 1-1/4
4	1651197	1	{00000}-{ }	ROD, Latch
5	1650157	1	{00000}-{ }	BUTTON
6	1650155	1	{00000}-{ }	SPRING
7	156209	1	{00000}-{ }	GRIP
8	923490	2	{00000}-{ }	CAPSCREW, Hex Hd., 3/8-16 x 1
9	916965	4	{00000}-{ }	LOCKWASHER, 3/8
10	171599	1	{00000}-{ }	QUADRANT
11	917642	2	{00000}-{ }	WASHER, 5/16
12	921966	1	{00000}-{ }	CAPSCREW, Hex Hd., 3/8-16 x 3/4
13	916950	2	{00000}-{ }	NUT, Hex, Full, 3/8-16
14	153058	3	{00000}-{ }	PIN
15	918196	2	{00000}-{ }	CLIP, Spring
16	172725	1	{00000}-{ }	PULLEY
17	157081	1	{00000}-{ }	SPACER
18	174723	2	{00000}-{ }	GUARD, Cable
19	108418	1	{00000}-{ }	SCREW
20	928731	1	{00000}-{ }	LOCKNUT, Hex, Jam, 3/8-16
21	174085	1	{00000}-{ }	LIFT CABLE ASSY
22	916241	1	{00000}-{ }	PIN, Cotter, 3/32 x 7/8
23	175216	1	{00000}-{ }	FILM, Lift Lever



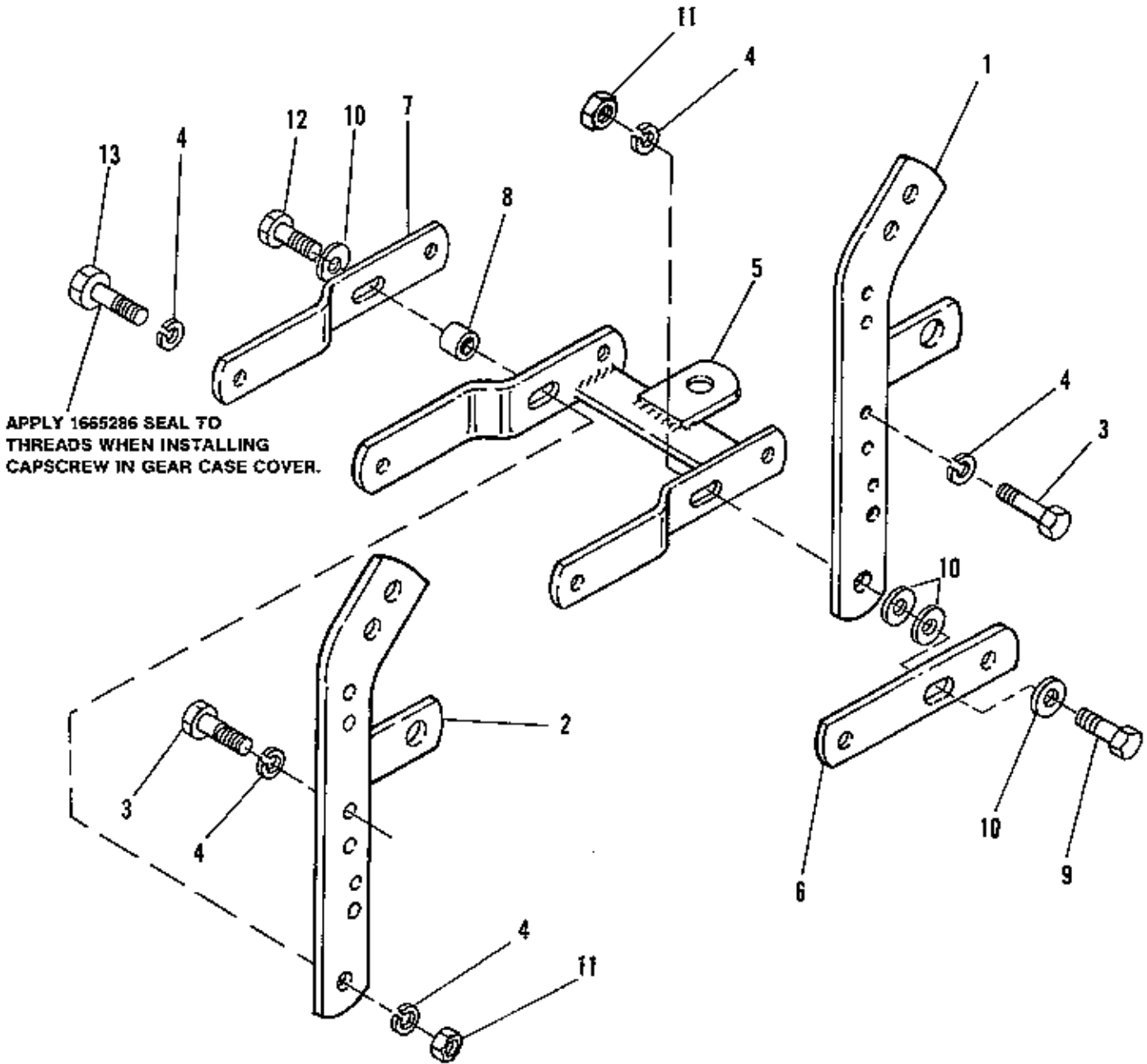
USE STANDARD HARDWARE
TORQUE SPEC. NO. 173209
UNLESS OTHERWISE NOTED.

Bevel Gear & Side Plate Group

10/78

Ref. No.	Part No.	Qty.	Serial No.	Description
1	171797	1	(00000)-()	HOUSING, Bevel Gear
2	118117	2	(00000)-()	SEAL, Oil
3	154279	2	(00000)-()	BEARING, Needle
4	172750	1	(00000)-()	SHAFT, Driver
5	172206	2	(00000)-()	RING, Retaining
6	172753	1	(00000)-()	WASHER
7	172256	2	(00000)-()	BEARING, Ball
8	154040	1	(00000)-()	PLATE, Bearing Clamp
9	917356	1	(00000)-()	LOCKWASHER, 5/16
10	925205	1	(00000)-()	CAPSCREW, Hex Hd., 5/16-18 x 5/8
11	172752	1	(00000)-()	GEAR, Bevel Driver
12	177649	2	(00000)-()	WASHER
13	905123	2	(00000)-()	KEY, Woodruff, No. 9
14	154281	1	(00000)-()	CAPSCREW, Hex Hd., 5/16-18 x 3/4
• 15		1	(00000)-()	SHAFT, Driven
16	171796	1	(00000)-()	GEAR, Bevel Driven
17	920677	2	(00000)-()	CAPSCREW, Hex Hd., 7/16-14 x 1-1/4
18	1663111	1	(00000)-()	SPACER, Oil Seal
19	1685088	1	(00000)-()	SEAL, Oil
20	171791	1	(00000)-()	SHIM
21	171790	5	(00000)-()	SHIM
22	171792	1	(00000)-()	SPACER
23	178105	1	(00000)-()	PLUG ASSY
24	154282	1	(00000)-()	GASKET
25	178104	1	(00000)-()	COVER
26	930526	6	(00000)-()	CAPSCREW, Hex, 1/4-20 x 5/8
27	901652	1	(00000)-()	PLUG, Pipe
28	174829	1	(00000)-()	PLATE ASSY, Side, L.H.
29	1608609	1	(00000)-()	PLATE ASSY, Side, R.H.
30	918199	12	(00000)-()	LOCKWASHER, 7/16
31	920676	10	(00000)-()	CAPSCREW, Hex Hd., 7/16-14 x 1
32	922133	1	(00000)-()	LOCKNUT, Hex, Jam, 3/4-16

*FOR SERVICE ORDER KIT NO. 1685054.



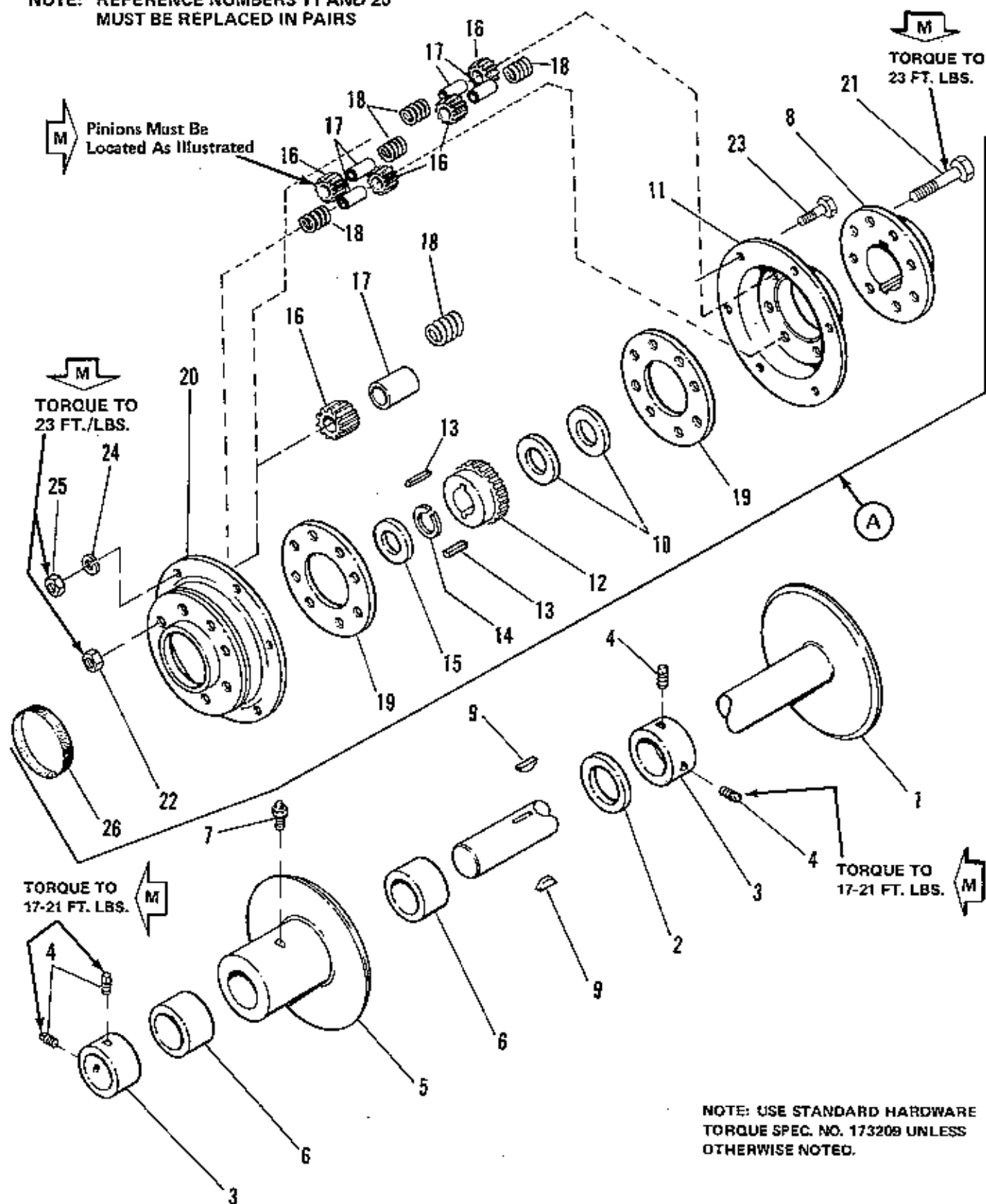
Draw Bar Group (7013S)

Simplicity

11-76

Ref. No.	Part No.	Qty.	Serial No.	Description
1	164304	1	{00000}-4	L.H. ARM ASSEMBLY
2	164284	1	{00000}-4	R.H. ARM ASSEMBLY
3	920676	4	{00000}-4	CAPSCREW, Hex Hd., 7/16-14 x 1
4	918199	8	{00000}-4	LOCKWASHER, 7/16
5	154202	1	{00000}-4	DRAWBAR ASSEMBLY
6	157091	1	{00000}-4	BAR, Pull, L.H.
7	154203	1	{00000}-4	BAR, Draw, R.H.
8	1608759	1	{00000}-4	SPACER
9	921212	1	{00000}-4	CAPSCREW, Hex Hd., 7/16-14 x 1-1/2
10	918430	4	{00000}-4	WASHER, 7/16
11	918213	2	{00000}-4	NUT, Hex, 7/16-14
12	923027	1	{00000}-4	CAPSCREW, Hex Hd., 7/16-14 x 1-3/4
13	926109	1	{00000}-4	CAPSCREW, Hex Hd., 7/16-14 x 2-1/4

NOTE: REFERENCE NUMBERS 11 AND 20
MUST BE REPLACED IN PAIRS

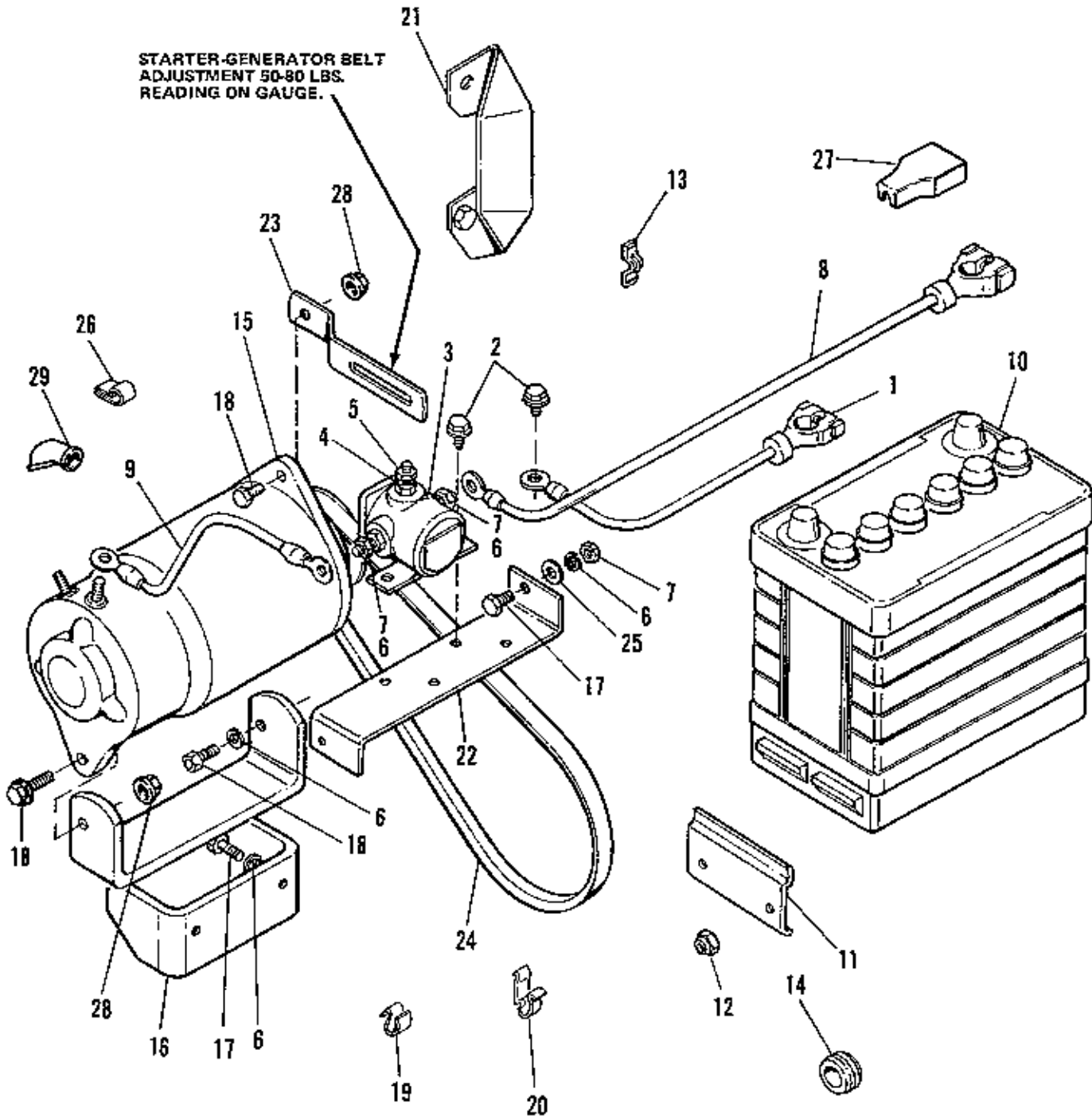


Rear Axle & Differential Group (7013S)

Simplicity

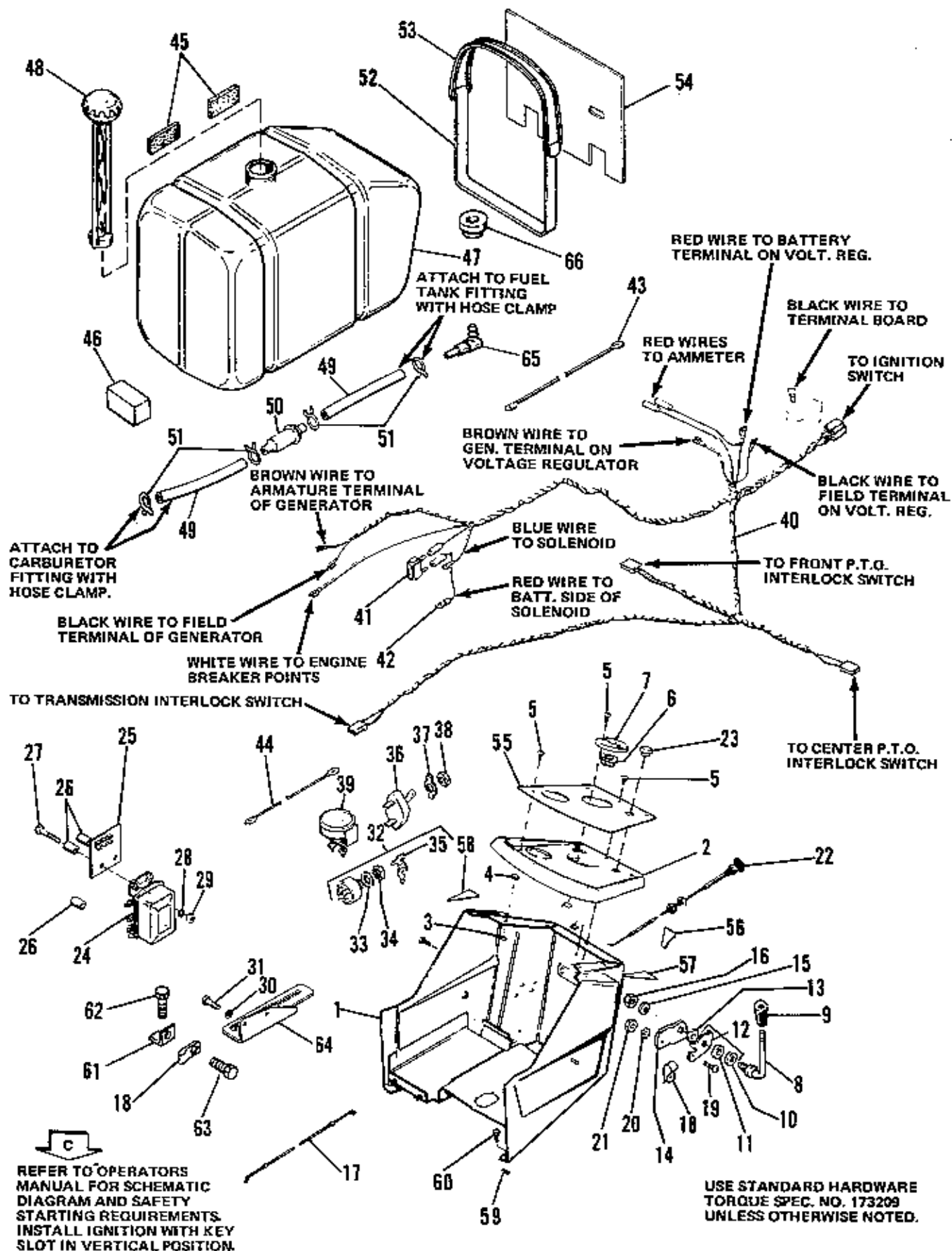
11-76

Ref. No.	Part No.	Qty.	Serial No.	Description
1	177900	1	{00000}-{	REAR AXLE ASSEMBLY
2	105050	1	{00000}-{	WASHER
3	154065	2	{00000}-{	COLLAR, Set
4	928709	4	{00000}-{	SETSCREW, Sq. Hd., 5/16-18 x 3/8
5	176945	1	{00000}-{	R.H. WHEEL HUB ASSEMBLY
6	153068	2	{00000}-{	BEARING
7	915019	1	{00000}-{	FITTING, Grease
8	164217	1	{00000}-{	CARRIER, Diff.
9	157120	2	{00000}-{	KEY, Drive
10	171515	2	{00000}-{	WASHER, Axle
11	171853	1	{00000}-{	COVER, Diff.
12	177041	1	{00000}-{	GEAR, Diff.
13	930671	2	{00000}-{	KEY, Hi Pro, 1/4 x 3/4
14	154291	1	{00000}-{	RING, Retaining
15	154277	1	{00000}-{	WASHER, Axle
16	158579	8	{00000}-{	PINION, Diff.
17	121083	8	{00000}-{	SPINDLE, Diff. Pinion
18	162085	8	{00000}-{	SPRING
19	171517	2	{00000}-{	RING, Spacer
20	171854	1	{00000}-{	COVER, Diff.
21	921972	8	{00000}-{	CAPSCREW, Hex Hd., 3/8-16 x 2-1/2
22	923428	8	{00000}-{	NUT, Hex, 3/8-16
23	907727	6	{00000}-{	CAPSCREW, Hex, 1/4-20 x 5/8
24	916964	6	{00000}-{	LOCKWASHER, 1/4
25	915622	6	{00000}-{	NUT, Hex, 1/4-14
26	121190	1	{00000}-{	SEAL, Cover



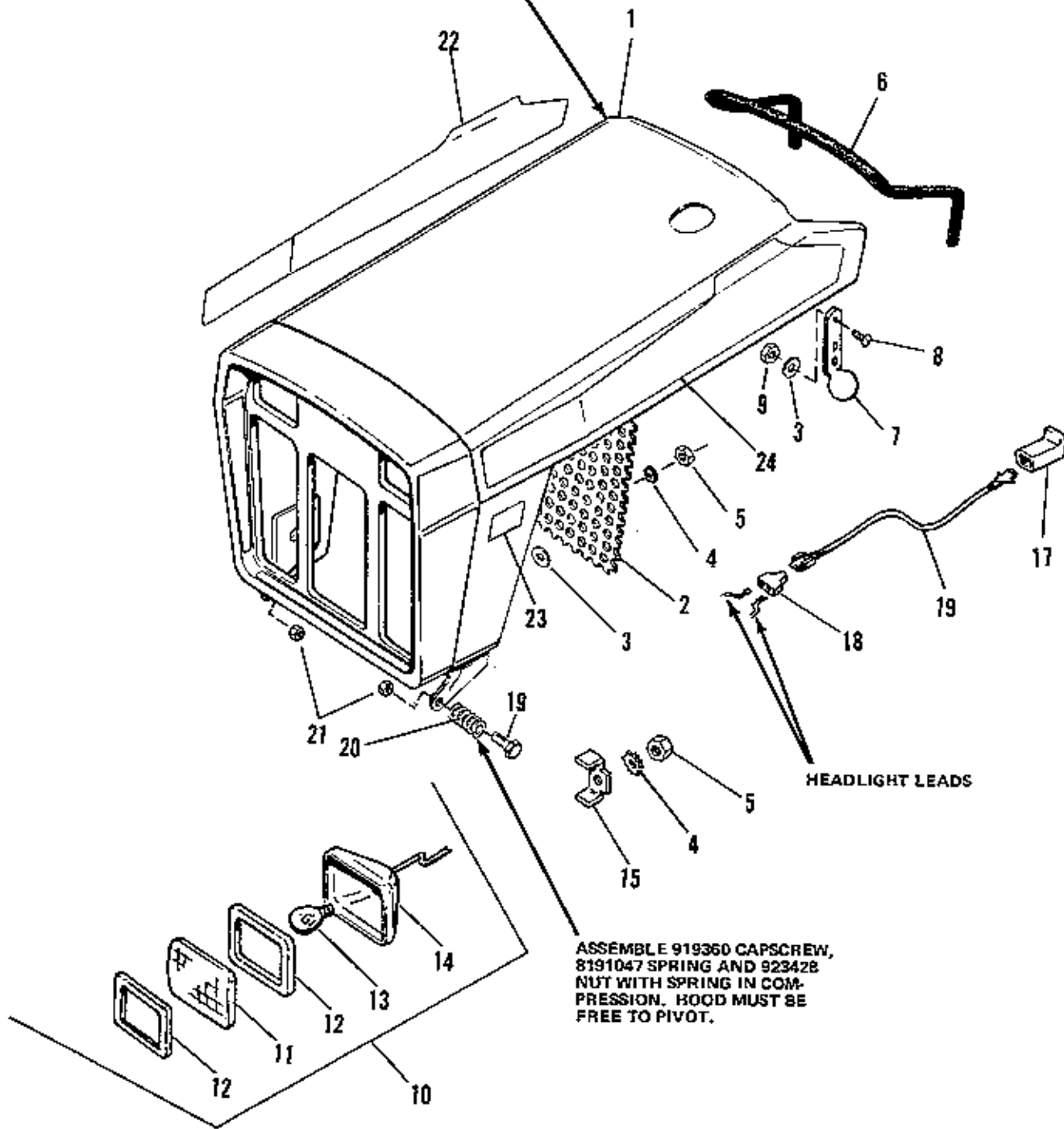
NOTE: USE STANDARD HARDWARE
TORQUE SPEC. NO. 173209 UNLESS
OTHERWISE NOTED.

Ref. No.	Part No.	Qty.	Serial No.	Description
1	171811	1	(00000)-()	CABLE, Battery to Ground
2	925003	3	(00000)-()	SCREW, Taptite, 1/4-20 x 1/2
3	122216	1	(00000)-()	SOLENOID
4	922711	1	(00000)-()	LOCKWASHER, No. 10
5	917415	1	(00000)-()	NUT, Hex, No. 10-32
6	917356	6	(00000)-()	LOCKWASHER, 5/16
7	917372	3	(00000)-()	NUT, Hex, 5/16-18
8	1651103	1	(00000)-()	CABLE, Battery to Solenoid
9	122213	1	(00000)-()	CABLE, Solenoid to Starter
10	1689058	1	(00000)-()	BATTERY
11	171225	1	(00000)-()	CLAMP
12	924433	2	(00000)-()	NUT, Elastic, 5/16-18
13	176912	1	(00000)-()	CLIP, Wire
14	172175	1	(00000)-()	GROMMET
15	122236	1	(00000)-()	MOTOR, Generator
16	157654	1	(00000)-()	SUPPORT ASSEMBLY
17	921332	3	(00000)-()	CAPSCREW, Hex Hd., 5/16-18 x 3/4
18	930595	3	(00000)-()	CAPSCREW, Hex Hd., Flange, Whizlock, 5/16-18 x 1-1/4
19	172434	2	(00000)-()	CLIP, Tinnerman
20	172436	2	(00000)-()	CLIP, Tinnerman
21	1655907	1	(00000)-()	PULLEY GUARD ASSEMBLY
22	1656452	1	(00000)-()	BRACKET
23	157102	1	(00000)-()	ARM, Adjusting
24	157524	1	(00000)-()	BELT, V - Gen.
25	917642	1	(00000)-()	WASHER, 5/16
26	106786	1	(00000)-()	CLIP, Cable
27	1657339	1	(00000)-()	PROTECTOR, Terminal
28	927557	2	(00000)-()	NUT, Flange, Whizlock, 5/16-18
29	122023	1	(00000)-()	COVER, Terminal



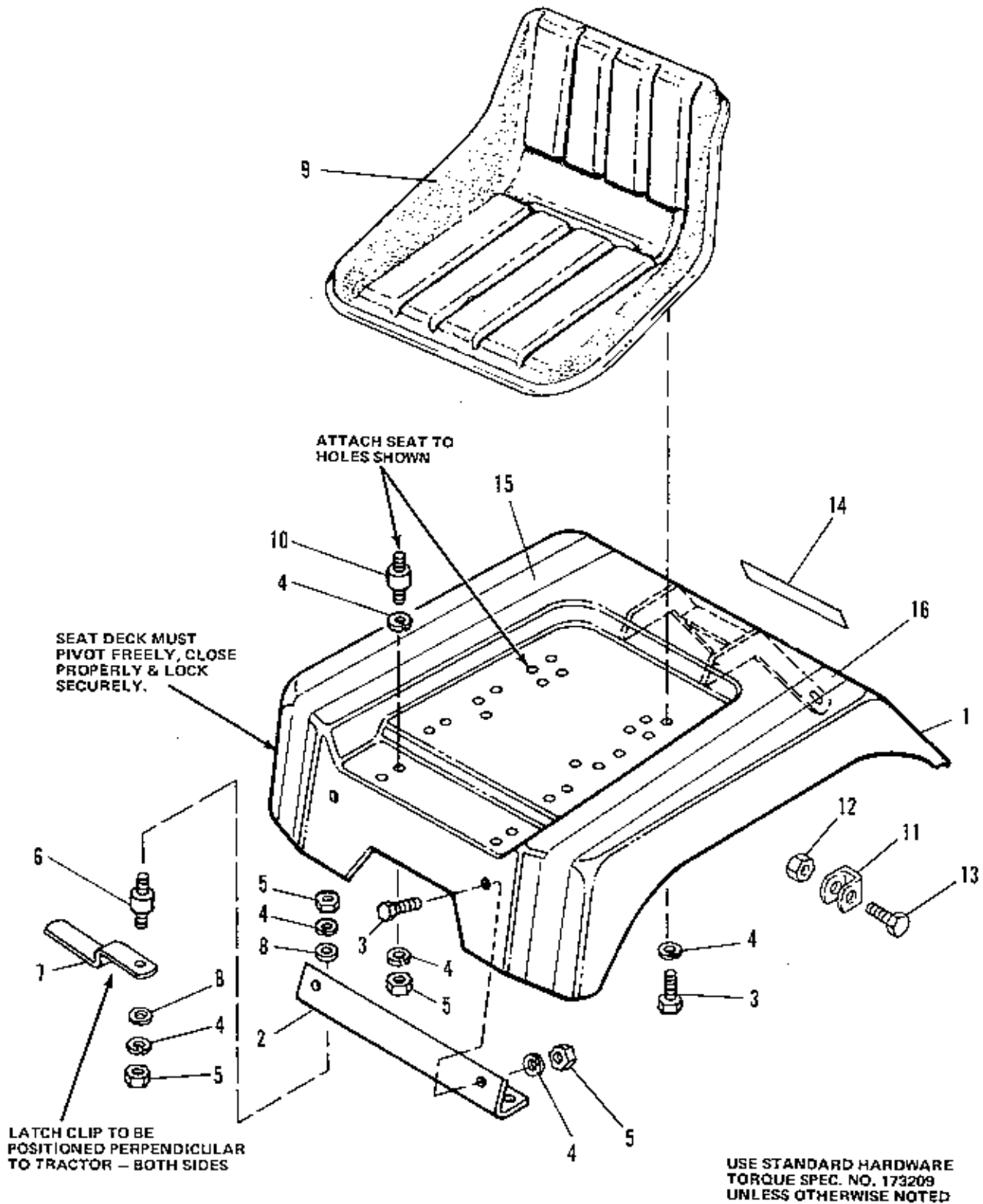
Ref. No.	Part No.	Qty.	Serial No.	Description
1	1650420	1	{00000}-{ }	DASH ASSEMBLY
2	1651000	1	{00000}-{ }	PANEL, Instrument
3	917867	6	{00000}-{ }	NUT, Retainer, Tinn.
4	916955	4	{00000}-{ }	WASHER, Plain, 3/16
5	926025	6	{00000}-{ }	SCREW, Mach. Rd. Hd., 1/4-20 x 1/2
6	157077	1	{00000}-{ }	BUSHING
7	172008	1	{00000}-{ }	PLATE STEERING, Adj.
8	1651170	1	{00000}-{ }	HANDLE, Clutch Control
9	172038	1	{00000}-{ }	KNOB, Tapered
10	101025	1	{00000}-{ }	WASHER
11	158116	1	{00000}-{ }	WASHER
12	103280	1	{00000}-{ }	STOP, Throttle Kit (inc. ref. 10,11)
13	159107	1	{00000}-{ }	WASHER
14	158424	1	{00000}-{ }	ARM, Throttle
15	930665	1	{00000}-{ }	LOCKWASHER, Dished Shakeproof, 3/8
16	930651	1	{00000}-{ }	LOCKNUT, Hex, 3/8-16
17	171355	1	{00000}-{ }	CONTROL, Throttle
18	158475	2	{00000}-{ }	CLIP, Bowden Wire
19	930531	1	{00000}-{ }	SCREW, Rd. Hd., No. 10-32 x 1/2
20	922711	1	{00000}-{ }	LOCKWASHER, External, No. 10
21	917416	1	{00000}-{ }	NUT, Mach. Hex, No. 10-32
22	1650997	1	{00000}-{ }	CONTROL, Choke
23	177447	2	{00000}-{ }	PLUG, Button
24	122193	1	{00000}-{ }	REGULATOR, Voltage
25	1651128	1	{00000}-{ }	BOARD, Terminal
26	106132	3	{00000}-{ }	SPACER
27	919316	3	{00000}-{ }	CAPSCREW, Hex Hd., 1/4-20 x 1-3/4
28	921880	3	{00000}-{ }	LOCKWASHER, Shakerproof, 1/4
29	916622	3	{00000}-{ }	NUT, Hex, 1/4-20
30	920426	2	{00000}-{ }	LOCKWASHER, External Tooth, 5/16
31	172157	2	{00000}-{ }	SCREW, Special
32	1655250	1	{00000}-{ }	SWITCH, Ignition
33	918906	1	{00000}-{ }	LOCKWASHER, Internal, 5/8
34	122234	1	{00000}-{ }	NUT, Hex Special
35	122203	1	{00000}-{ }	KEY & RING ASSEMBLY
36	122184	1	{00000}-{ }	SWITCH, Toggle
37		1	{00000}-{ }	PLATE
38		1	{00000}-{ }	NUT
39	1603189	1	{00000}-{ }	AMMETER
40	1651104	1	{00000}-{ }	HARNES ASSEMBLY
41	172163	1	{00000}-{ }	CIRCUIT BREAKER
42	1651031	1	{00000}-{ }	WIRE ASSEMBLY
43	1651147	1	{00000}-{ }	WIRE ASSEMBLY
44	172296	1	{00000}-{ }	WIRE ASSEMBLY, Light Switch
45	106582	2	{00000}-{ }	GASKET, Felt
46	173335	1	{00000}-{ }	PAD, Fuel Tank
47	1657714	1	{00000}-{ }	TANK, Fuel
48	171252	1	{00000}-{ }	CAP, Fuel Tank
49	1664516	2	{00000}-{ }	HOSE, Fuel
50	173206	1	{00000}-{ }	FILTER, Fuel
51	154372	4	{00000}-{ }	CLAMP, Hose
52	171330	2	{00000}-{ }	STRAP, Tank
53	172744	2	{00000}-{ }	STRAP, Fuel Tank
54	172119	1	{00000}-{ }	INSULATION, Fuel Tank
55	1651101	1	{00000}-{ }	DECAL, Instrument Panel
56	1657090	1	{00000}-{ }	DECAL, Ignition
57	1657136	1	{00000}-{ }	DECAL, Throttle Control
58	1657148	1	{00000}-{ }	DECAL, Shuttle Control
59	928703	7	{00000}-{ }	NUT, Speed, Tinn.
60	930561	10	{00000}-{ }	SCREW, Hex Hd. Thd. Forming, No. 14 x 3/4
61	1658453	1	{00000}-{ }	BRACKET, Cable
62	927429	1	{00000}-{ }	SCREW, Hex Hd., 1/4-20 x 5/8
63	929477	1	{00000}-{ }	SCREW, Tap-tite, No. 10-24 x 1/2
64	174473	1	{00000}-{ }	QUADRANT
65	1654929	1	{00000}-{ }	ELBOW, Fuel Tank

HOOD MUST PIVOT FREELY AND FIT PROPERLY WHEN CLOSED.

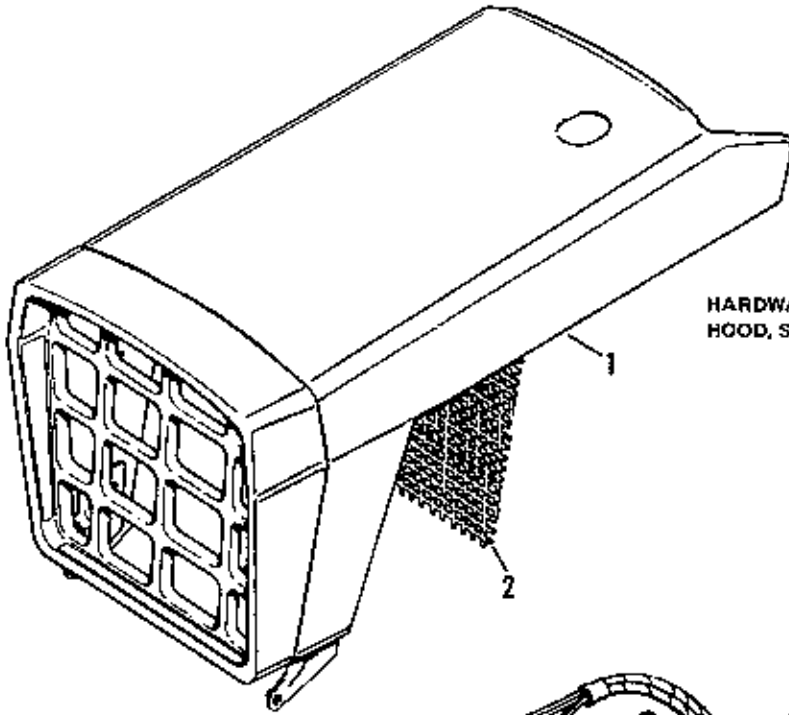


USE STANDARD HARDWARE
TORQUE SPEC. NO. 173209
UNLESS OTHERWISE NOTED.

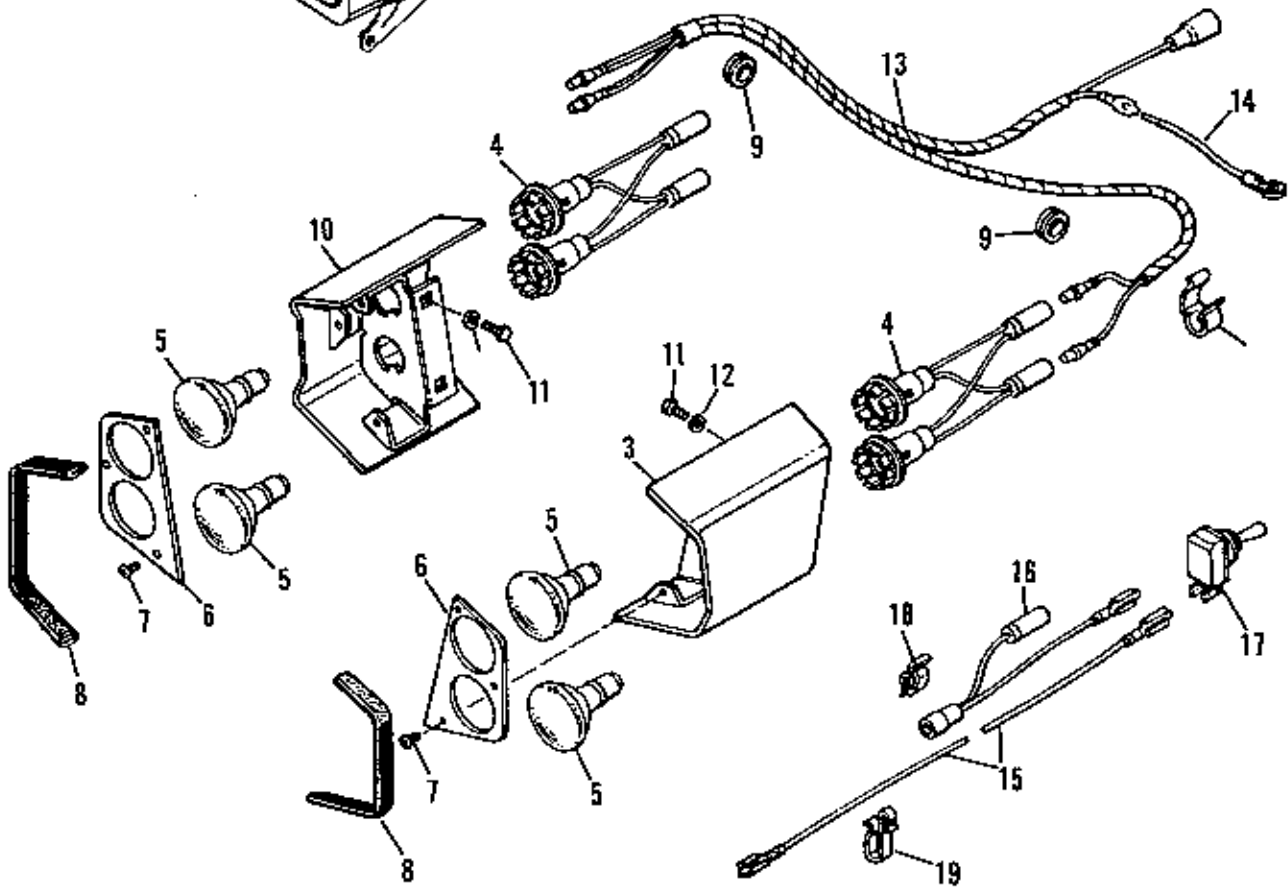
Ref. No.	Part No.	Qty.	Serial No.	Description
1	1656400	1	{00000}-{ }	HOOD & GRILLE ASSEMBLY
2	1656587	1	{00000}-{ }	SCREEN, Grille
3	171804	6	{00000}-{ }	WASHER, Special
4	922711	8	{00000}-{ }	LOCKWASHER, Ext. Tooth, No. 10
5	916631	12	{00000}-{ }	NUT, Hex, Mach., No. 10-24
6	172935	1	{00000}-{ }	MOULDING, Hood
7	171600	2	{00000}-{ }	STRAP, Hood
8	930531	2	{00000}-{ }	SCREW, Truss Hd., No. 10-32 x 1/2
9	930627	2	{00000}-{ }	LOCKNUT, Hex, No. 10-32
10	1656935	2	{00000}-{ }	LIGHT ASSY
11	1656933	2	{00000}-{ }	LENS
12	1654662	4	{00000}-{ }	GASKET
13		2	{00000}-{ }	BULB, No. 1293
14	1654664	2	{00000}-{ }	SOCKET
15	1656681	4	{00000}-{ }	CLIP
16	1657047	1	{00000}-{ }	WIRE ASSY
17	172100	1	{00000}-{ }	BODY, Connector
18	122182	1	{00000}-{ }	CONNECTOR, Insulated
19	921969	2	{00000}-{ }	CAPSCREW, Hex, Hd., 3/8-16 x 1-1/2
20	8191047	2	{00000}-{ }	SPRING
21	930651	2	{00000}-{ }	NUT, Hex, 3/8-16
22	1657114	1	{00000}-{ }	DECAL, Hood, Baron, R.H.
23	1657144	2	{00000}-{ }	DECAL, 7013-Shuttle
24	1657115	1	{00000}-{ }	DECAL, Hood, Baron, L.H.



Ref. No.	Part No.	Qty.	Serial No.	Description
1	166111	1	(00000)-()	SEAT, Deck
2	164029	1	(00000)-()	BRACKET, Frt. Seat Deck
3	925205	4	(00000)-()	CAPSCREW, 5/16-18 x 5/8
4	917356	10	(00000)-()	LOCKWASHER, 5/16
5	917372	8	(00000)-()	NUT, Hex, Full, 5/16-18
6	157094	2	(00000)-()	CONNECTOR, Cushion
7	1606823	2	(00000)-()	CLIP
8	917377	4	(00000)-()	WASHER, 1/4
9	1657309	1	(00000)-()	SEAT
10	159085	2	(00000)-()	CONNECTOR, Cushion
11	1607870	1	(00000)-()	STOP, Seat Deck
12	930651	2	(00000)-()	LOCKNUT, Hex, 3/8-16
13	920415	2	(00000)-()	CAPSCREW, Hex, 3/8-16 x 1-1/4
14	153166	1	(00000)-()	DECAL, Simplicity
15	1657282	1	(00000)-()	DECAL, Stripe, R.H. (1690232 & 1690233 Only)
16	1657283	1	(00000)-()	DECAL, Stripe, L.H. (1690232 & 1690233 Only)



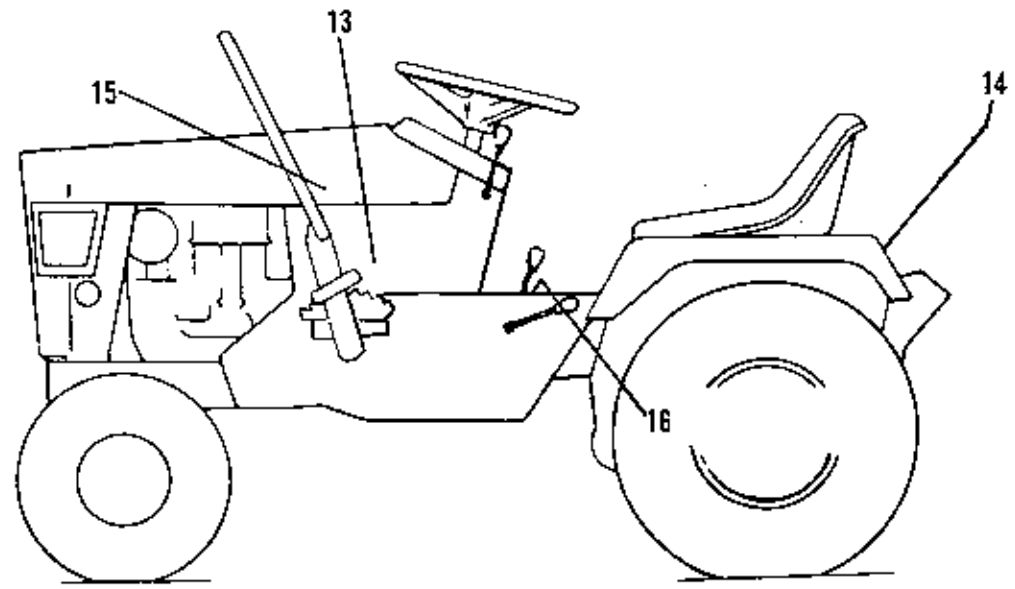
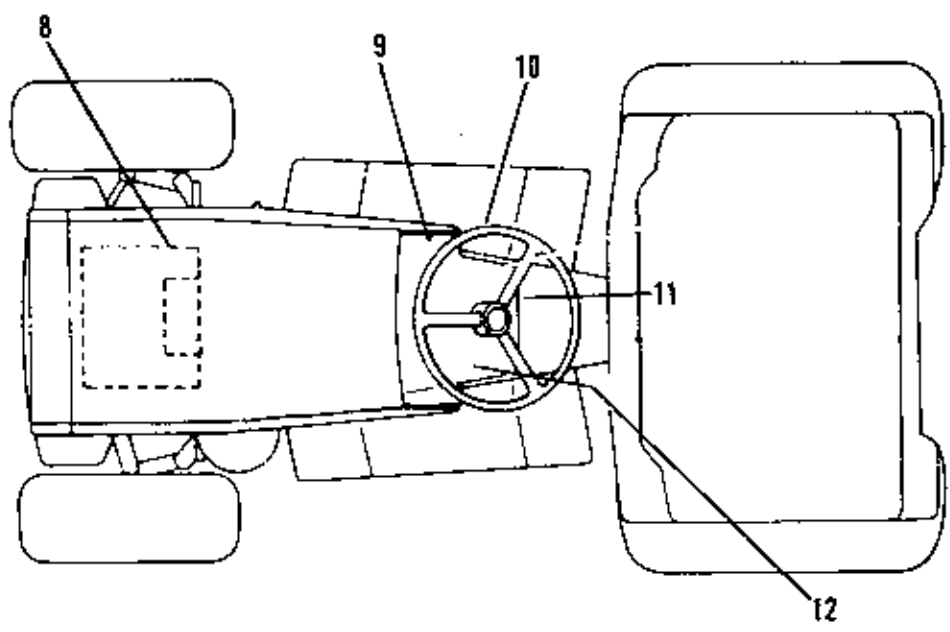
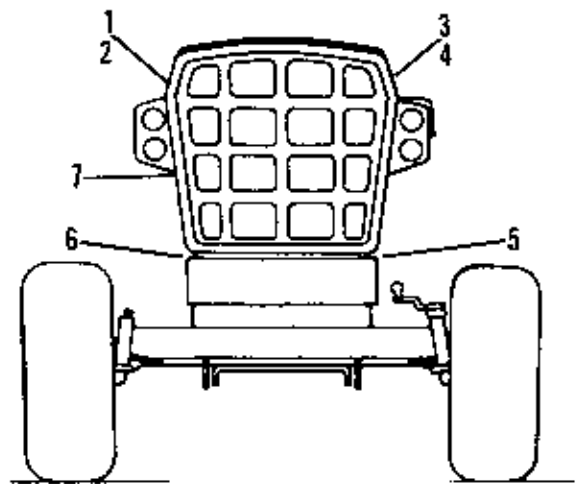
HARDWARE FOR ATTACHING HOOD, SEE PAGE 38.



Hood & Light Group

11-76

Ref. No.	Part No.	Qty.	Serial No.	Description
1	1651152	1	{00000}-{ }	HOOD & GRILLE ASSY
2	1651162	1	{00000}-{ }	SCREEN, Grille
3	172286	1	{00000}-{ }	SHROUD & PLATE ASSY, L.H.
4	172290	2	{00000}-{ }	LAMP SOCKET & WIRE ASSY
5	172048	4	{00000}-{ }	HEAD LIGHT
6	172243	2	{00000}-{ }	PLATE, Front
7	928695	6	{00000}-{ }	SCREW, Thd. Forming, No. 12-24 x 1/2
8	172289	2	{00000}-{ }	MOLDING
9	172176	2	{00000}-{ }	GROMMET
10	172285	1	{00000}-{ }	SHROUD & PLATE ASSY, R.H.
11	916019	4	{00000}-{ }	CAPSCREW, Hex, 1/4-20 x 3/4
12	916964	4	{00000}-{ }	LOCKWASHER, 1/4
13	172294	1	{00000}-{ }	HARNES ASSY
14	1651821	1	{00000}-{ }	WIRE, Headlight to Ground
15	172296	1	{00000}-{ }	WIRE ASSY, Light
16	1651147	1	{00000}-{ }	WIRE ASSY
17	122184	1	{00000}-{ }	SWITCH, Toggle
18	178436	2	{00000}-{ }	CABLE, Clip, Tinnerman
19	172434	1	{00000}-{ }	CABLE, Clip, Tinnerman

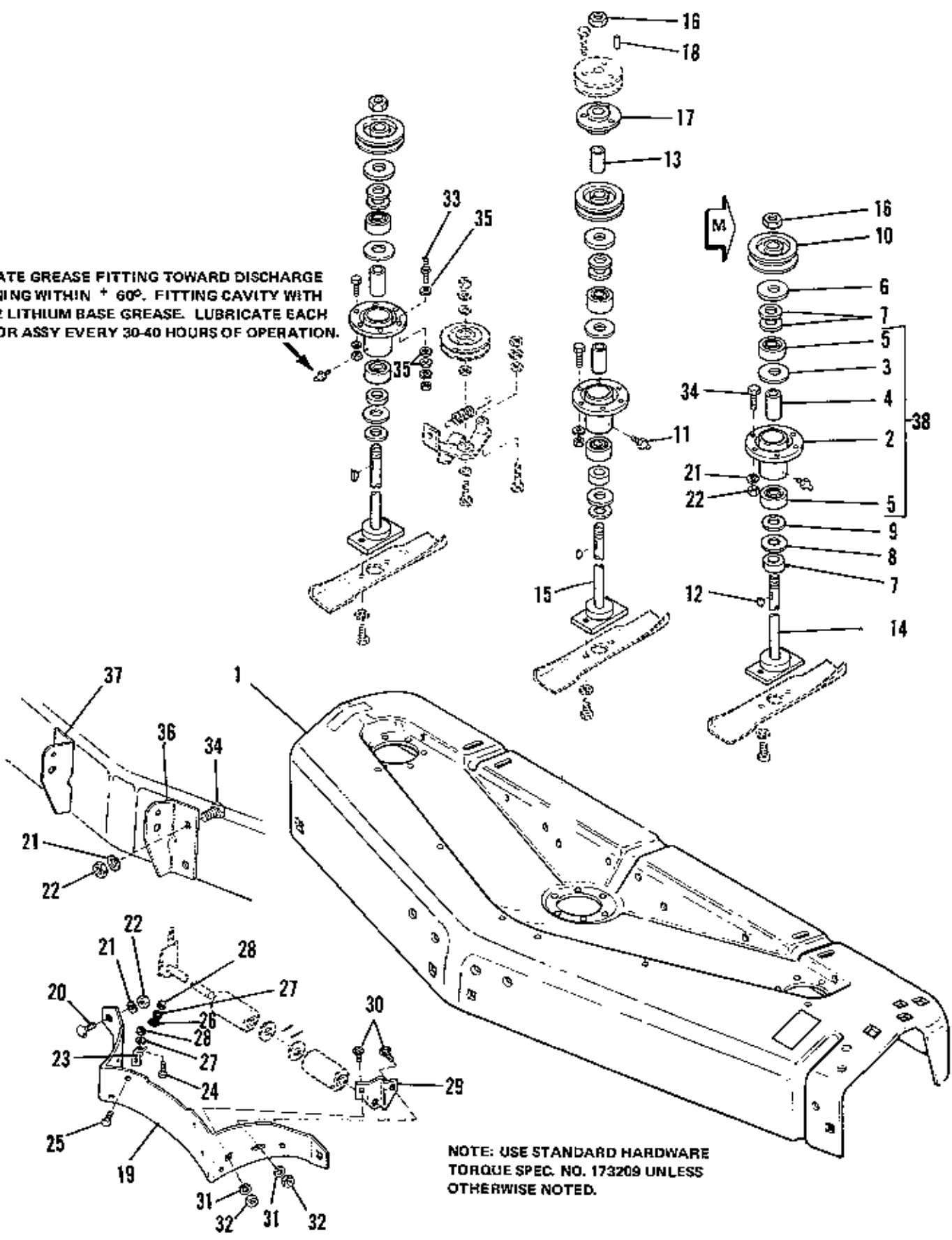


Decals

11-76

Ref. No.	Part No.	Qty.	Serial No.	Description
1	1651799	1	{00000}-{ }	DECAL, Hood, L.H.
2	1651897	1	{00000}-{ }	DECAL, L.H.
3	1651800	1	{00000}-{ }	DECAL, Hood, R.H.
4	1651898	1	{00000}-{ }	DECAL, R.H.
5	172816	1	{00000}-{ }	DECAL, Brake
6	174954	1	{00000}-{ }	DECAL, Clutch
7	176823	1	{00000}-{ }	DECAL, Safety
8	172707	1	{00000}-{ }	DECAL, Oil Level Inst.
9	1651101	1	{00000}-{ }	DECAL, Instrument Panel
10	174887	1	{00000}-{ }	DECAL, Forward & Reverse
11	174885	1	{00000}-{ }	DECAL, Ignition
12	172219	1	{00000}-{ }	DECAL, Throttle
13	175216	1	{00000}-{ }	DECAL, Lift Lever
14	1651636	1	{00000}-{ }	DECAL, Rear Seat Deck
15	172277	1	{00000}-{ }	DECAL, Battery
16	176821	1	{00000}-{ }	DECAL, Shift Pattern

ROTATE GREASE FITTING TOWARD DISCHARGE
OPENING WITHIN $\pm 60^\circ$. FITTING CAVITY WITH
NO. 2 LITHIUM BASE GREASE. LUBRICATE EACH
ARBOR ASSY EVERY 30-40 HOURS OF OPERATION.

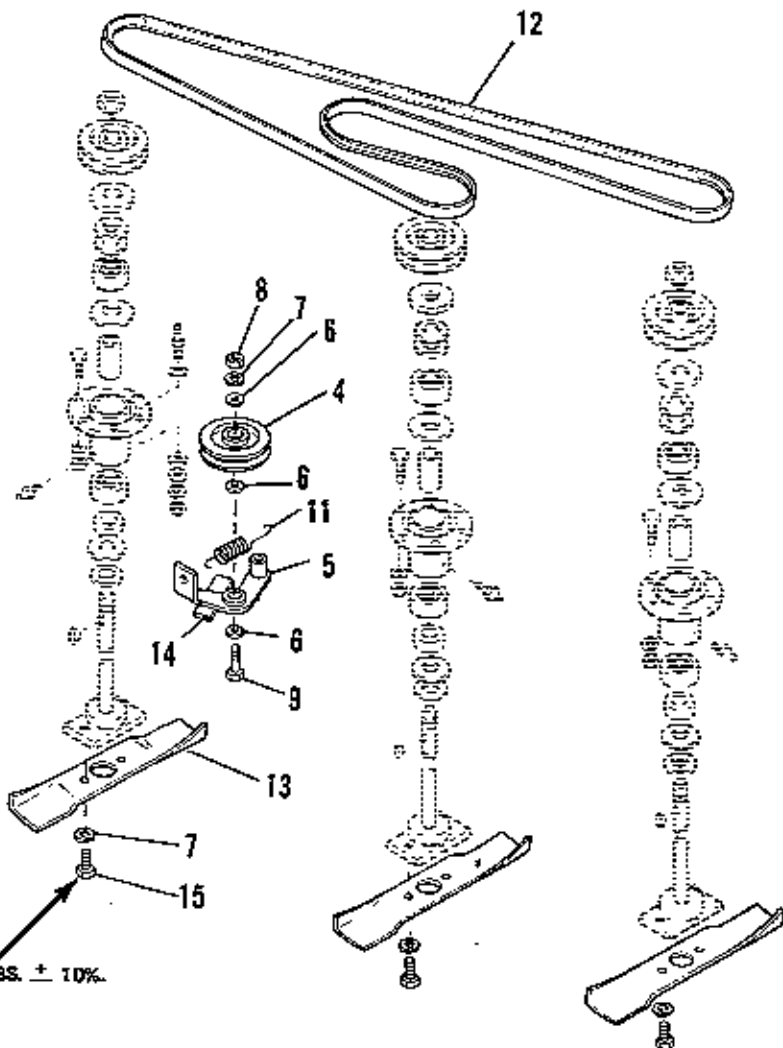
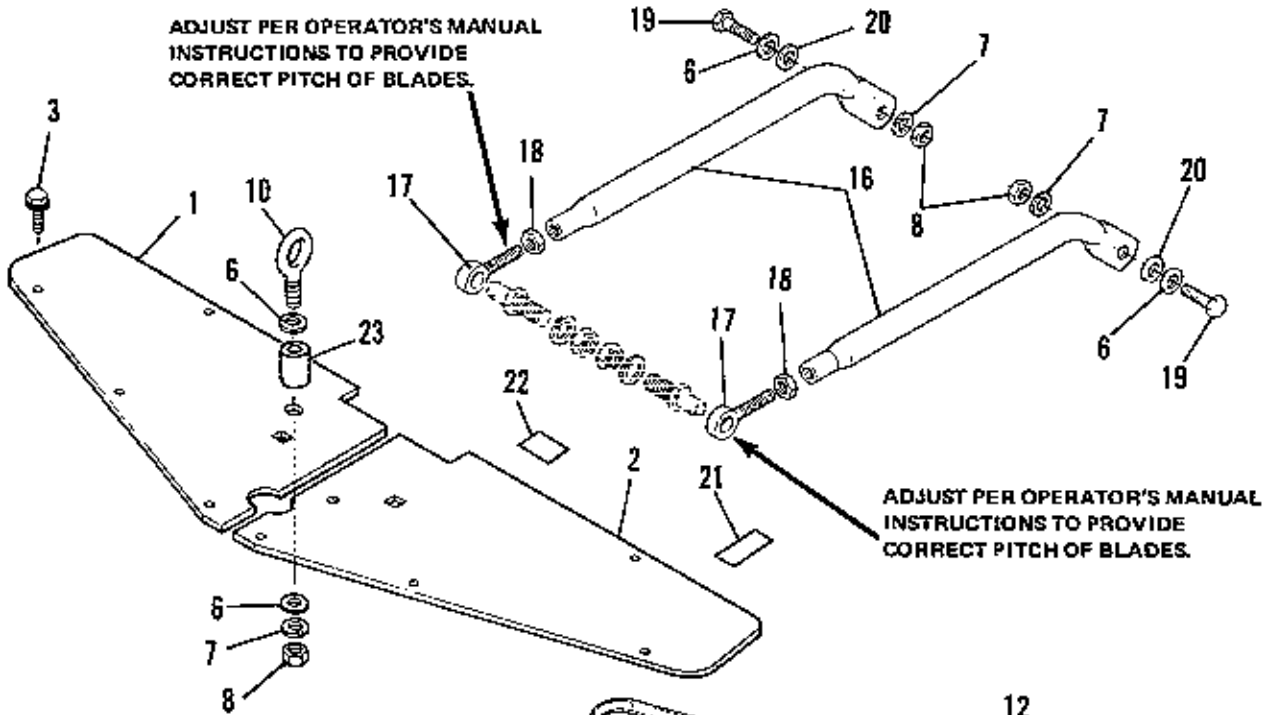


NOTE: USE STANDARD HARDWARE
TORQUE SPEC. NO. 173209 UNLESS
OTHERWISE NOTED.

42" Housing & Arbor Group

10/78

Ref. No.	Part No.	Qty.	Serial No.	Description
1	1650453	1	{00000}-{ }	HOUSING, 42"
2	108678	3	{00000}-{ }	TUBE ASSY
3	108134	3	{00000}-{ }	BACKING RING
4	108201	3	{00000}-{ }	SPACER
5	108202	6	{00000}-{ }	BEARING
6	108139	3	{00000}-{ }	FLINGER
7	108181	9	{00000}-{ }	WASHER
8	108257	3	{00000}-{ }	WASHER
9	108472	3	{00000}-{ }	WASHER
10	177005	3	{00000}-{ }	PULLEY
11	913958	3	{00000}-{ }	FITTING, Grease
12	918312	3	{00000}-{ }	KEY, Woodruff, 3/16 x 5/8
13	108436	1	{00000}-{ }	SPACER
14	108250	2	{00000}-{ }	ARBOR ASSY, Outer
15	177499	1	{00000}-{ }	ARBOR ASSY, Center
16	922133	3	{00000}-{ }	NUT, Full Hex Lock, 3/4-16
17	1651404	1	{00000}-{ }	HUB, Pulley
18	157332	1	{00000}-{ }	KEY
19	108361	1	{00000}-{ }	BAFFLE
20	922110	2	{00000}-{ }	CARRIAGE BOLT, 3/8-16 x 3/4
21	916965	24	{00000}-{ }	LOCKWASHER, 3/8
22	916950	24	{00000}-{ }	NUT, Hex Full, 3/8-16
23	108186	2	{00000}-{ }	CLIP, Baffle
24	922125	2	{00000}-{ }	SCREW, Self-Tapping, 1/4-20 x 7/8
25	921959	2	{00000}-{ }	CAPSCREW, Hex Hd., 1/4-20 x 5/8
26	917377	2	{00000}-{ }	WASHER, Plain, 1/4
27	916964	4	{00000}-{ }	LOCKWASHER, 1/4
28	916522	4	{00000}-{ }	NUT, Hex Full, 1/4-20
29	108224	1	{00000}-{ }	BRACKET, L.H. Roller
30	920562	2	{00000}-{ }	CARRIAGE BOLT., 5/16-18 x 3/4
31	917356	2	{00000}-{ }	LOCKWASHER, 5/16
32	917372	2	{00000}-{ }	NUT, Hex, 5/16-18
33	156131	1	{00000}-{ }	STUD
34	921965	21	{00000}-{ }	CAPSCREW, Hex Hd., 3/8-16 x 3/4
35	917642	3	{00000}-{ }	WASHER, Plain, 5/16
36	1651499	1	{00000}-{ }	BRACKET, L.H.
37	1651500	1	{00000}-{ }	BRACKET, R.H.
38	1650533	3	{00000}-{ }	BEARING & TUBE ASSY



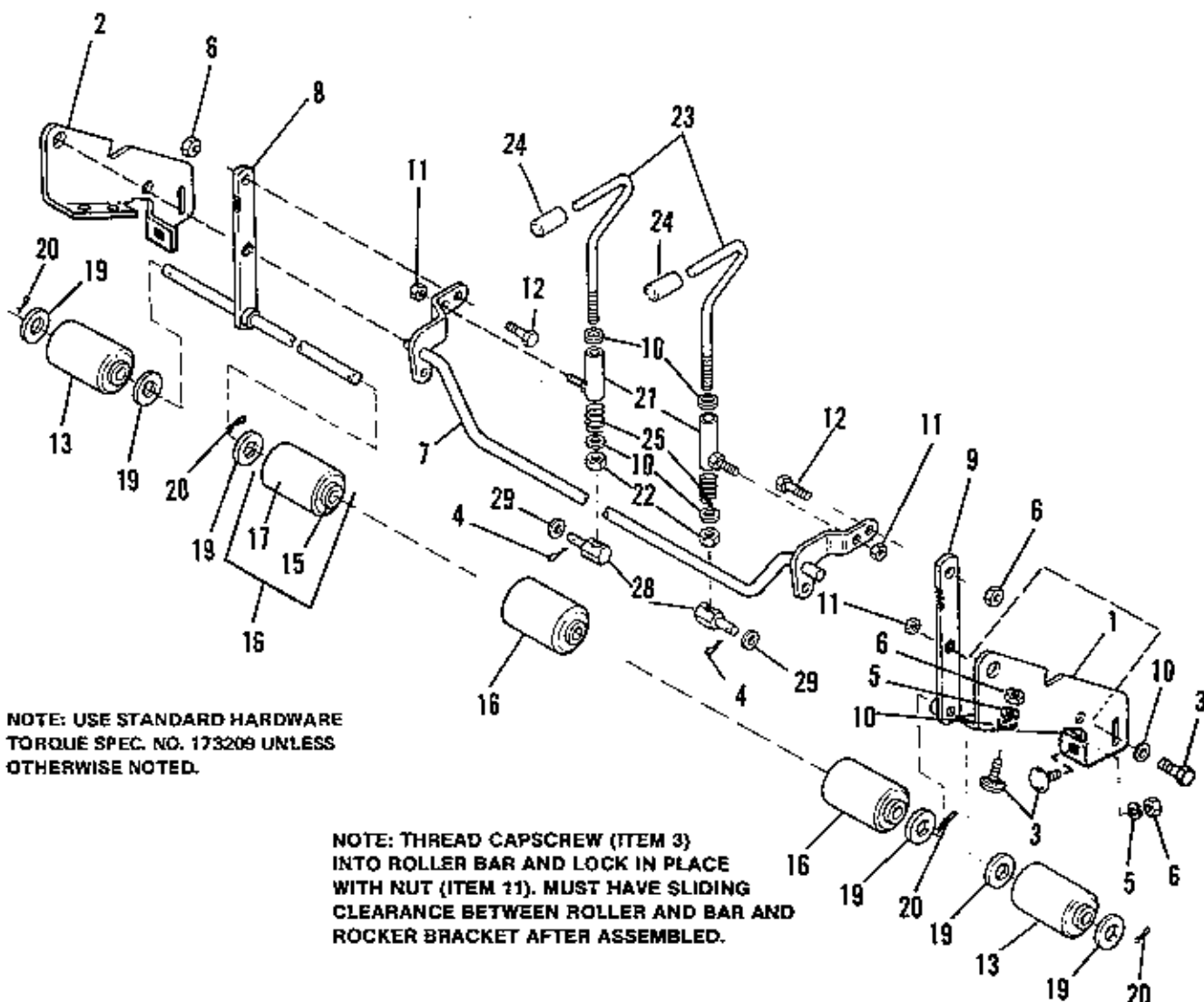
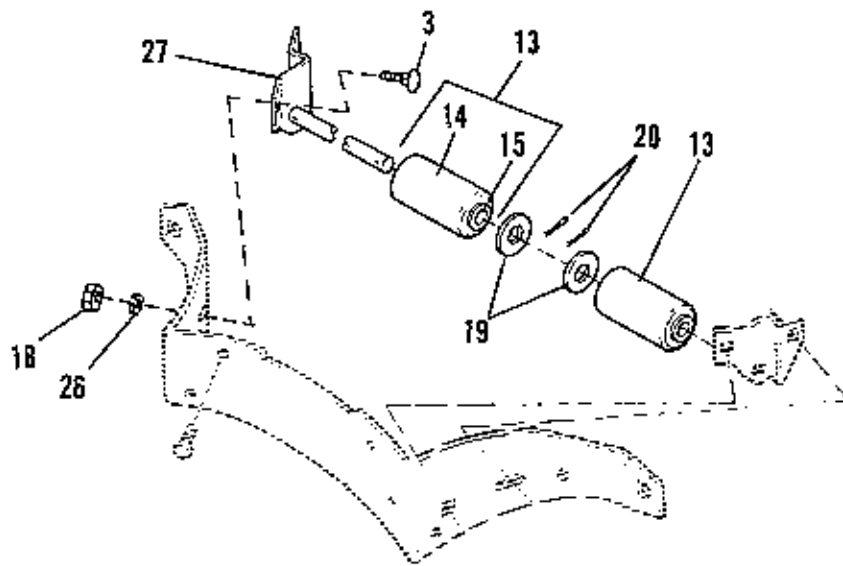
NOTE: USE STANDARD HARDWARE TORQUE SPEC. NO. 173209 UNLESS OTHERWISE NOTED.

TORQUE TO 30 FT./LBS. \pm 10%.

42" Cover Drive & Bail Group

10/78

Ref. No.	Part No.	Qty.	Serial No.	Description
1	172049	1	(00000)-()	COVER, R.H.
2	172414	1	(00000)-()	COVER, L.H.
3	929000	12	(00000)-()	SCREW, Hex Hd., Self-Tapping, 1/4-20 x 3/8
4	164268	1	(00000)-()	PULLEY, Idler
5	108416	1	(00000)-()	LEVER ASSY, Idler
6	917642	7	(00000)-()	WASHER, Plain, 5/16
7	916965	10	(00000)-()	LOCKWASHER, 3/8
8	916950	4	(00000)-()	NUT, Hex Full, 3/8-16
9	108418	1	(00000)-()	CAPSCREW, Hex Hd., 3/8-16 x 1-1/4
10	171815	1	(00000)-()	EYEBOLT
11	154369	1	(00000)-()	SPRING
12	108209	1	(00000)-()	"V" BELT, Blade Drive
13	108298	3	(00000)-()	BLADE
14	158450	1	(00000)-()	GASKET, Felt
15	922586	6	(00000)-()	CAPSCREW, Hex Hd., 3/8-16 x 5/8
16	1651520	2	(00000)-()	ARM, Adjusting
17	157215	2	(00000)-()	EYEBOLT
18	919262	2	(00000)-()	NUT, Hex Jam, 1/2-20
19	907731	2	(00000)-()	CAPSCREW, Hex Hd., 3/8-16 x 1
20	921210	2	(00000)-()	SPACER
21	108717	1	(00000)-()	FILM, Safety
22	1656857	1	(00000)-()	FILM, Belt Installation
23	8171073	1	(00000)-()	RACE, Inner



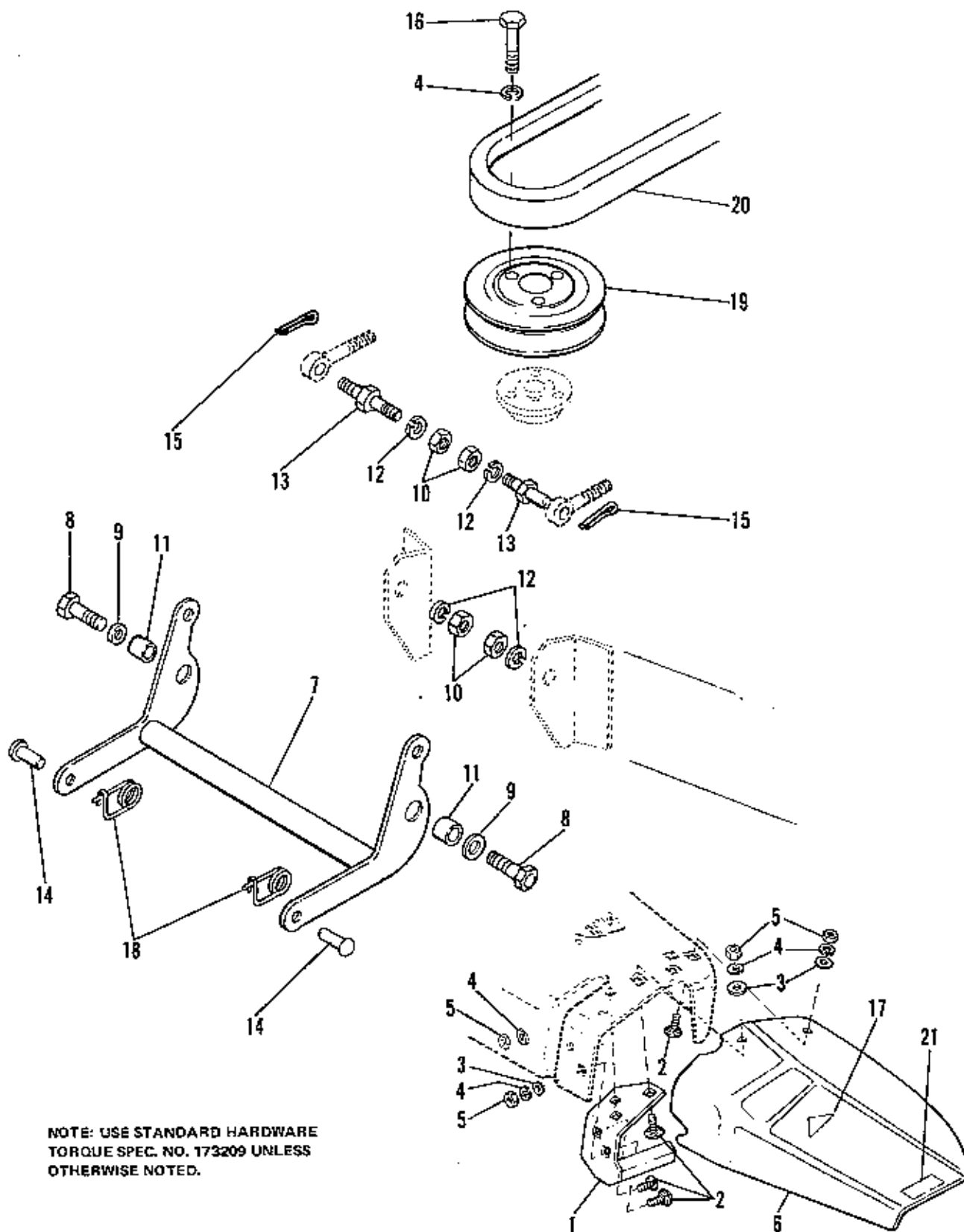
NOTE: USE STANDARD HARDWARE
TORQUE SPEC. NO. 173209 UNLESS
OTHERWISE NOTED.

NOTE: THREAD CAPSCREW (ITEM 3)
INTO ROLLER BAR AND LOCK IN PLACE
WITH NUT (ITEM 11). MUST HAVE SLIDING
CLEARANCE BETWEEN ROLLER AND BAR AND
ROCKER BRACKET AFTER ASSEMBLED.

42" Height Adjustment & Roller Group

10/78

Ref. No.	Part No.	Qty.	Serial No.	Description
1	172044	1	(00000)-()	BRACKET, Roller, L.H.
2	172045	1	(00000)-()	BRACKET, Roller, R.H.
3	922110	6	(00000)-()	CARRIAGE BOLT, 3/8-16 x 3/4
4	922000	2	(00000)-()	PIN, Cotter, 3/32 x 5/8
5	916965	4	(00000)-()	LOCKWASHER, 3/8
6	916950	6	(00000)-()	NUT, Hex Full, 3/8-16
7	1651514	1	(00000)-()	ROCKER ARM ASSY
8	1657894	1	(00000)-()	SHAFT ASSY, Roller
9	1657893	1	(00000)-()	BAR ASSY, Roller
10	917378	6	(00000)-()	WASHER, Plain, 3/8
11	930651	4	(00000)-()	NUT, Hex Full Lock, 3/8-16
12	921210	2	(00000)-()	CAPSCREW, Hex Hd., 3/8-16 x 1
13	108431	4	(00000)-()	ROLLER ASSY
14		4	(00000)-()	ROLLER
15	108419	14	(00000)-()	BUSHING
16	108432	3	(00000)-()	ROLLER ASSY
17		3	(00000)-()	ROLLER
18	917372	2	(00000)-()	NUT, Hex Full, 5/16-18
19	919387	6	(00000)-()	WASHER, Plain, 5/8
20	918458	6	(00000)-()	PIN, Cotter, 3/16 x 1
21	108241	2	(00000)-()	SOCKET ASSY
22	917421	2	(00000)-()	NUT, Hex Jam, 3/8-16
23	1650394	2	(00000)-()	HANDLE, Adjusting
24	1651820	2	(00000)-()	GRIP
25	108360	2	(00000)-()	SPRING
26	917356	2	(00000)-()	LOCKWASHER, 5/16
27	108426	1	(00000)-()	BRACKET & SHAFT ASSY
28	108512	2	(00000)-()	PIVOT
29	924940	2	(00000)-()	WASHER, Plain, 5/16



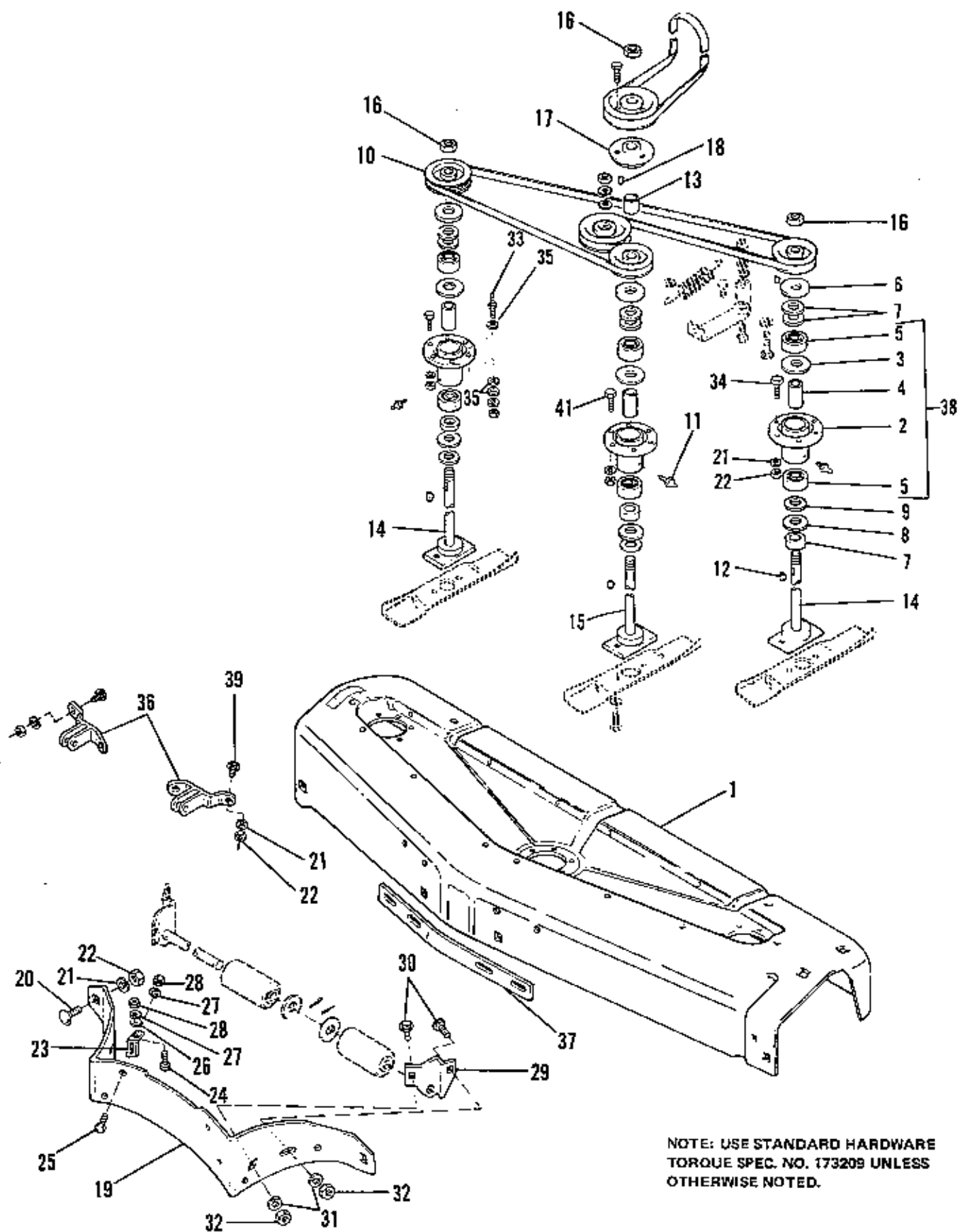
NOTE: USE STANDARD HARDWARE
TORQUE SPEC. NO. 173209 UNLESS
OTHERWISE NOTED.

42' Deflector, Stone Guard & Rocker Arm Group

Simplicity

10/78

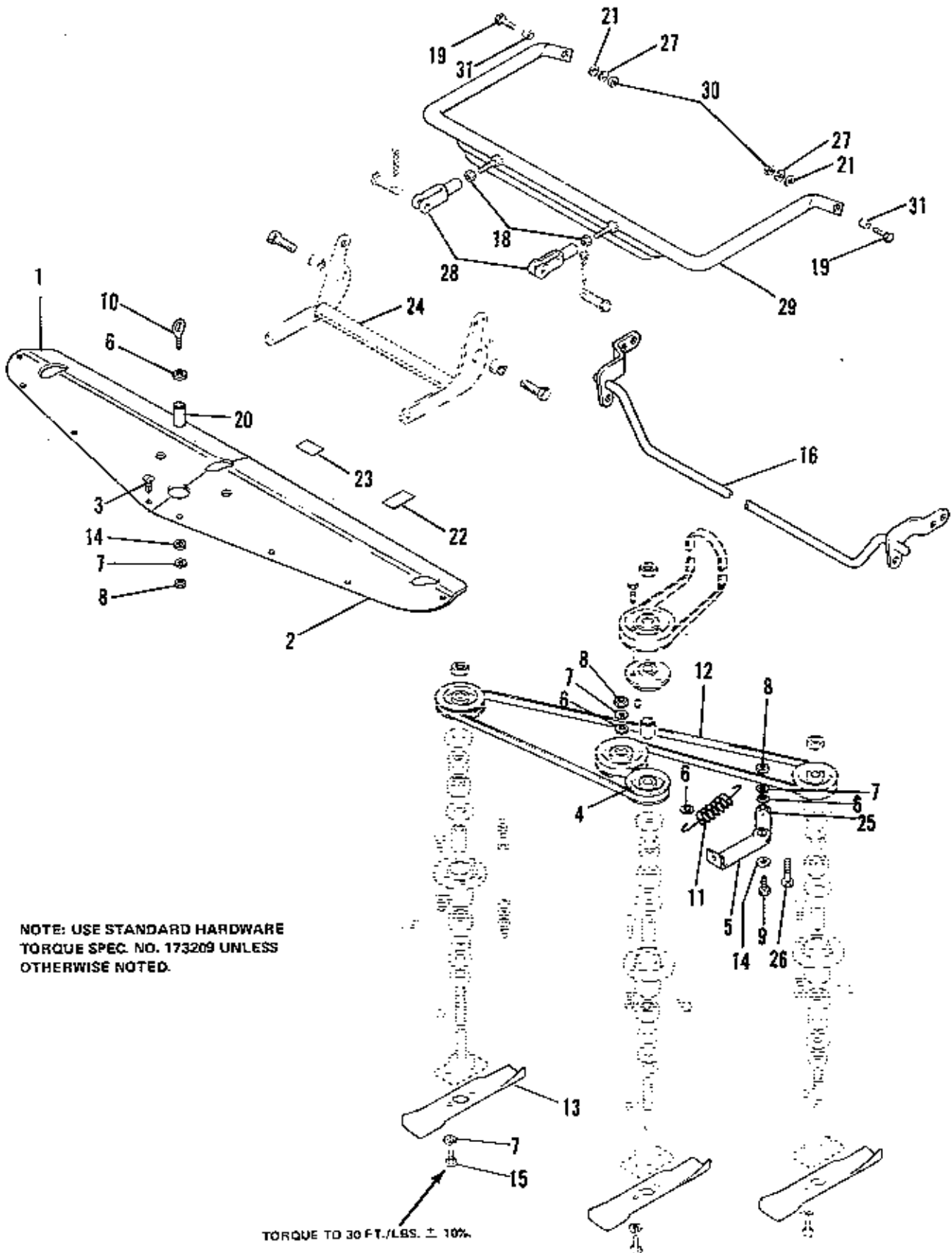
Ref. No.	Part No.	Qty.	Serial No.	Description
1	174167	1	{00000}-(-)	GUARD ASSY, Stone
2	922109	4	{00000}-(-)	CARRIAGE BOLT, 3/8-16 x 1-1/4
3	924356	3	{00000}-(-)	WASHER, Special
4	916965	7	{00000}-(-)	LOCKWASHER, 3/8
5	916950	4	{00000}-(-)	NUT, Hex Full, 3/8-16
6	1651177	1	{00000}-(-)	DEFLECTOR
7	172468	1	{00000}-(-)	ROCKER ARM ASSY
8	921176	2	{00000}-(-)	CAPSCREW, Hex Hd., 1/2-13 x 1-1/4
9	918430	2	{00000}-(-)	WASHER, Plain, 7/16
10	916951	4	{00000}-(-)	NUT, Hex Full, 1/2-13
11	105051	2	{00000}-(-)	SPACER
12	916966	4	{00000}-(-)	LOCKWASHER, 1/2
13	1651516	2	{00000}-(-)	PIN, Pivot
14	118053	2	{00000}-(-)	PIN
15	918452	2	{00000}-(-)	PIN, Cotter, 1/8 x 1
16	922606	3	{00000}-(-)	CAPSCREW, Hex Hd., 3/8-16 x 1-3/4
17		1	{00000}-(-)	DECAL, OPEI
18	176012	2	{00000}-(-)	CLIP, Safety Pin
19	174189	1	{00000}-(-)	PULLEY
20	176439	1	{00000}-(-)	"V" BELT, PTO
21	176719	1	{00000}-(-)	DECAL, Danger



48" Housing & Arbor Group

10/78

Ref. No.	Part No.	Qty.	Serial No.	Description
1	1651183	1	{00000}-{	HOUSING, 48"
2	108678	3	{00000}-{	TUBE SUB-ASSY
3	108134	3	{00000}-{	RING, Backing
4	108201	3	{00000}-{	SPACER
5	108202	6	{00000}-{	BEARING, Ball
6	108139	3	{00000}-{	FLINGER
7	108181	9	{00000}-{	WASHER
8	108257	3	{00000}-{	WASHER
9	108472	3	{00000}-{	WASHER
10	177005	3	{00000}-{	PULLEY
11	913958	3	{00000}-{	FITTING, Lube, Drive Type, 1/4
12	918312	3	{00000}-{	KEY, Woodruff, No. 61, 3/16 x 5/8
13	108436	1	{00000}-{	SPACER
14	108250	2	{00000}-{	ARBOR ASSY
15	177499	1	{00000}-{	ARBOR ASSY, Drive
16	922133	3	{00000}-{	NUT, Hex Lock, 3/4-16
17	1651404	1	{00000}-{	HUB, Pulley
18	157332	1	{00000}-{	KEY
19	108453	1	{00000}-{	BAFFLE
20	922110	2	{00000}-{	BOLT, Rd.Hd., 3/8-16 x 3/4
21	918965	24	{00000}-{	LOCKWASHER, Spring, 3/8
22	918950	24	{00000}-{	NUT, Hex, 1/4-20
23	108186	2	{00000}-{	CLIP, Baffle
24	922125	2	{00000}-{	SCREW, Thread Cutting, 1/4-20 x 7/8
25	921959	2	{00000}-{	CAPSCREW, Hex Hd., 1/4-20 x 5/8
26	917377	2	{00000}-{	WASHER, Plain, 1/4
27	916964	4	{00000}-{	LOCKWASHER, Spring, 1/4
28	916622	4	{00000}-{	NUT, Hex, 1/4-20
29	108224	1	{00000}-{	BRACKET, Roller, L.H.
30	920562	2	{00000}-{	BOLT, Rd. Hd., 5/16-18 x 3/4
31	917356	2	{00000}-{	LOCKWASHER, Spring, 5/16
32	917372	2	{00000}-{	NUT, Hex, 5/16-18
33	156131	1	{00000}-{	STUD, Stop
34	921965	16	{00000}-{	CAPSCREW, Hex Hd., 3/8-16 x 3/4
35	917642	3	{00000}-{	WASHER, Plain, 5/16
36	108219	2	{00000}-{	BRACKET ASSY, Front
37	108366	1	{00000}-{	BAR, Reif.
38	1650533	3	{00000}-{	BEARING & TUBE SUB-ASSY
39	922249	4	{00000}-{	BOLT, Rd. Hd., 3/8-16 x 1
40	176720	1	{00000}-{	DECAL, Caution
41	161130	1	{00000}-{	SCREW, Special
42	103229	2	{00000}-{	ARBOR KIT, Outside
43	103233	1	{00000}-{	ARBOR KIT, Center



NOTE: USE STANDARD HARDWARE
TORQUE SPEC. NO. 173209 UNLESS
OTHERWISE NOTED.

TORQUE TO 30 FT./LBS. ± 10%

48" Cover, Drive & Bail Group

10/78

Ref. No.	Part No.	Qty.	Serial No.	Description
1	172076	1	(00000)-()	COVER, R.H.
2	172354	1	(00000)-()	COVER, L.H.
3	929000	14	(00000)-()	SCREW, Hex, Taptite, 1/4-20 x 3/8
4	164268	1	(00000)-()	PULLEY, Idler
5	108473	1	(00000)-()	LEVER ASSY, Idler
6	917642	4	(00000)-()	WASHER, Plain, 5/16
7	916965	9	(00000)-()	LOCKWASHER, Spring, 3/8
8	916950	3	(00000)-()	NUT, Hex, 3/8-16
9	108418	1	(00000)-()	SCREW
10	171815	1	(00000)-()	EYEBOLT
11	108449	1	(00000)-()	SPRING, Tension
12	108450	1	(00000)-()	BELT, "V", Mower Drive
13	108448	3	(00000)-()	BLADE, Knife
14	917378	2	(00000)-()	WASHER, Plain, 3/8
15	922586	6	(00000)-()	CAPSCREW, Hex Hd., 3/8-16 x 5/8
16	172015	1	(00000)-()	ARM ASSY, Rocker
18	919262	2	(00000)-()	NUT, Hex, Jam, 1/2-20
19	921176	2	(00000)-()	CAPSCREW, Hex Hd., 1/2-13 x 1-1/4
20	172082	1	(00000)-()	SPACER
21	918430	2	(00000)-()	WASHER, Plain, 7/16
22	1656857	1	(00000)-()	FILM, Safety
23	174845	1	(00000)-()	FILM, Belt Installation
*24	108794	1	(00000)-()	ARM ASSY, Rocker
25	8171073	1	(00000)-()	RACE, Inner
26	921971	1	(00000)-()	CAPSCREW, Hex Hd., 3/8-16 x 1-3/4
27	916966	2	(00000)-()	LOCKWASHER, Spring, 1/2
28	154304	2	(00000)-()	YOKE, End Adj.
29	172473	1	(00000)-()	BAIL ASSY
30	916951	2	(00000)-()	NUT, Hex, 1/2-13
31	105051		(00000)-()	SPACER

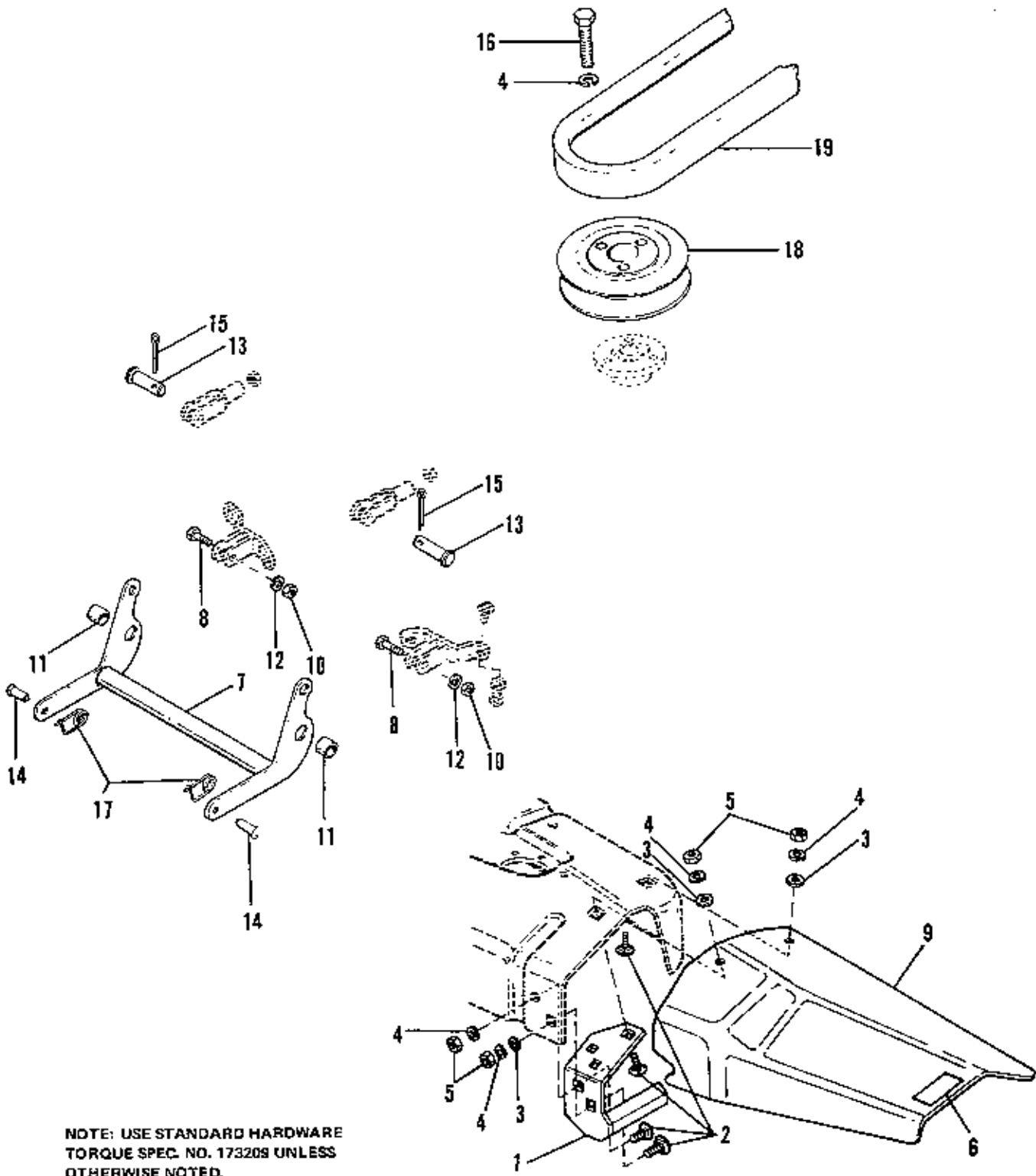
*FOR SERVICE SEE DEFLECTOR, STONE GUARD & ROCKER ARM GROUP

48" Height Adjusting & Roller Group

10/78

Ref. No.	Part No.	Qty.	Serial No.	Description
1	172046	1	{00000}-{ }	BRACKET, Roller, L.H.
2	172047	1	{00000}-{ }	BRACKET, Roller, R.H.
3	922110	6	{00000}-{ }	BOLT, Rd. Hd., 3/8-16 x 3/4
4	925204	2	{00000}-{ }	CAPSCREW, Hex. Hd., 3/8-16 x 1
5	916965	4	{00000}-{ }	LOCKWASHER, Spring, 3/8
6	916950	6	{00000}-{ }	NUT, Hex, 3/8-16
7		1	{00000}-{ }	ARM ASSY, Rocker
8	1657892	1	{00000}-{ }	SHAFT ASSY, Roller
9	1657891	1	{00000}-{ }	BAR SUB-ASSY, Roller
10	917378	6	{00000}-{ }	WASHER, Plain, 3/8
11	930651	2	{00000}-{ }	NUT, Hex, Full Lock, 3/8-16
12	921210	2	{00000}-{ }	CAPSCREW, Hex Hd., 3/8-16 x 1
13	108431	2	{00000}-{ }	ROLLER SUB-ASSY
14		2	{00000}-{ }	ROLLER
15	108419	14	{00000}-{ }	BUSHING
16	108432	5	{00000}-{ }	ROLLER ASSY
17		5	{00000}-{ }	ROLLER
18	917372	2	{00000}-{ }	NUT, Hex, 5/16-18
19	919387	8	{00000}-{ }	WASHER, Plain, 5/8
20	918458	7	{00000}-{ }	PIN, Cotter, 3/16 x 1
21	108241	2	{00000}-{ }	SOCKET ASSY
22	917421	2	{00000}-{ }	NUT, Hex, Jam, 3/8-16
23	1650394	2	{00000}-{ }	HANDLE, Adj.
24	1651820	2	{00000}-{ }	GRIP
25	108360	2	{00000}-{ }	SPRING, Adj, Screw
26	917356	2	{00000}-{ }	LOCKWASHER, 5/16
27	108454	1	{00000}-{ }	BRACKET & SHAFT ASSY
28	108512	2	{00000}-{ }	PIVOT
29	924940	2	{00000}-{ }	WASHER, Plain, 5/16
30	922000	2	{00000}-{ }	PIN, Cotter, 3/32 x 5/8

* FOR SERVICE SEE COVER, DRIVE & BAIL GROUP






**NOTE: USE STANDARD HARDWARE
TORQUE SPEC. NO. 173209 UNLESS
OTHERWISE NOTED.**

48" Deflector, Stone Guard & Rocker Arm

10/78

Ref. No.	Part No.	Qty.	Serial No.	Description
1	174127	1	{00000}-{ }	GUARD ASSY, Stone
2	922109	4	{00000}-{ }	BOLT, Rd. Hd., 3/8-16 x 1-1/4
3	924356	3	{00000}-{ }	WASHER, Special
4	916965	7	{00000}-{ }	LOCKWASHER, Spring, 3/8
5	916950	4	{00000}-{ }	NUT, Hex, 3/8-16
6	176719	1	{00000}-{ }	DECAL, Danger
7	172468	1	{00000}-{ }	ARM ASSY, Rocker
8	921178	2	{00000}-{ }	CAPSCREW, Hex Hd., 1/2-13 x 1-1/4
9	1651184	1	{00000}-{ }	DEFLECTOR
10	916951	2	{00000}-{ }	NUT, Hex, 1/2-13
11	105051	2	{00000}-{ }	SPACER
12	916966	2	{00000}-{ }	LOCKWASHER, Spring, 1/2
13	154305	2	{00000}-{ }	PIN, Yoke
14	118053	2	{00000}-{ }	PIN,
15	918452	2	{00000}-{ }	PIN, Cotter, 1/8 x 1
16	922606	3	{00000}-{ }	CAPSCREW, Hex Hd., 3/8-16 x 1-3/4, Gr. 8
17	176012	2	{00000}-{ }	CLIP, Safety Pin
18	174190	1	{00000}-{ }	PULLEY
19	163011	1	{00000}-{ }	BELT, "V", Tractor to Mower

**TORQUE SPECIFICATIONS FOR
STANDARD MACHINE HARDWARE
TOLERANCE $\pm 20\%$**




SIZE	SAE GRADE #2		SAE GRADE #5		SAE GRADE #8	
						
8-32	19	In. Lbs.	30	In. Lbs.	41	In. Lbs.
8-36	20	"	31	"	43	"
10-24	27	"	43	"	60	"
10-32	31	"	49	"	68	"
1/4-20	66	"	8	Ft. Lbs	12	Ft. Lbs.
1/4-28	76	"	10	"	14	"
5/16-18	11	Ft. Lbs	17	"	25	"
5/16-24	12	"	19	"	25	"
3/8-16	20	"	30	"	45	"
3/8-24	23	"	35	"	50	"
7/16-14	30	"	50	"	70	"
7/16-20	35	"	55	"	80	"
1/2-13	50	"	75	"	110	"
1/2-20	55	"	90	"	120	"
9/16-12	65	"	110	"	150	"
9/16-18	75	"	120	"	170	"
5/8-11	90	"	150	"	220	"
5/8-18	100	"	180	"	240	"
3/4-10	160	"	260	"	386	"
3/4-16	180	"	300	"	420	"
7/8-9	140	"	400	"	600	"
7/8-14	155	"	440	"	660	"
1-8	220	"	580	"	900	"
1-12	240	"	640	"	1,000	"

NOTE:

1. These torque values are to be used for all *Simplicity* hardware excluding: locknuts, self-tapping screws, thread forming screws, sheet metal screws and socket head setscrews.
2. Recommended seating torque values for locknuts:
 - a. For prevailing torque locknuts - use 65% of grade 5 torques.
 - b. For flange whizlock nuts (and screws) - use 135% of grade 5 torques.
3. Unless otherwise noted on assembly drawings all torque values must meet this specification.

BOLT HEAD MARKING

S.A.E. GRADE:

- 2 
- 5 
- 8 

Simplicity Manufacturing, Inc.
500 N. Spring Street
P.O. Box 210
Port Washington, WI 53074

Copyright © 1987 Simplicity Manufacturing, Inc.

PRINTED IN U.S.A.