

**PARTS CATALOG**

**SOVEREIGN and LANDLORD**

**HYDROSTATIC DRIVE**

**RIDING TRACTORS**

**SOVEREIGN MFRS. NO. 655 — 3314H  
LANDLORD MFRS. NO. 657 — 3310H**

1971 PRODUCTION YEAR

SER. FORM-P1

**SIMPLICITY MANUFACTURING COMPANY INC.**

**PORT WASHINGTON**

**WISCONSIN 53074**

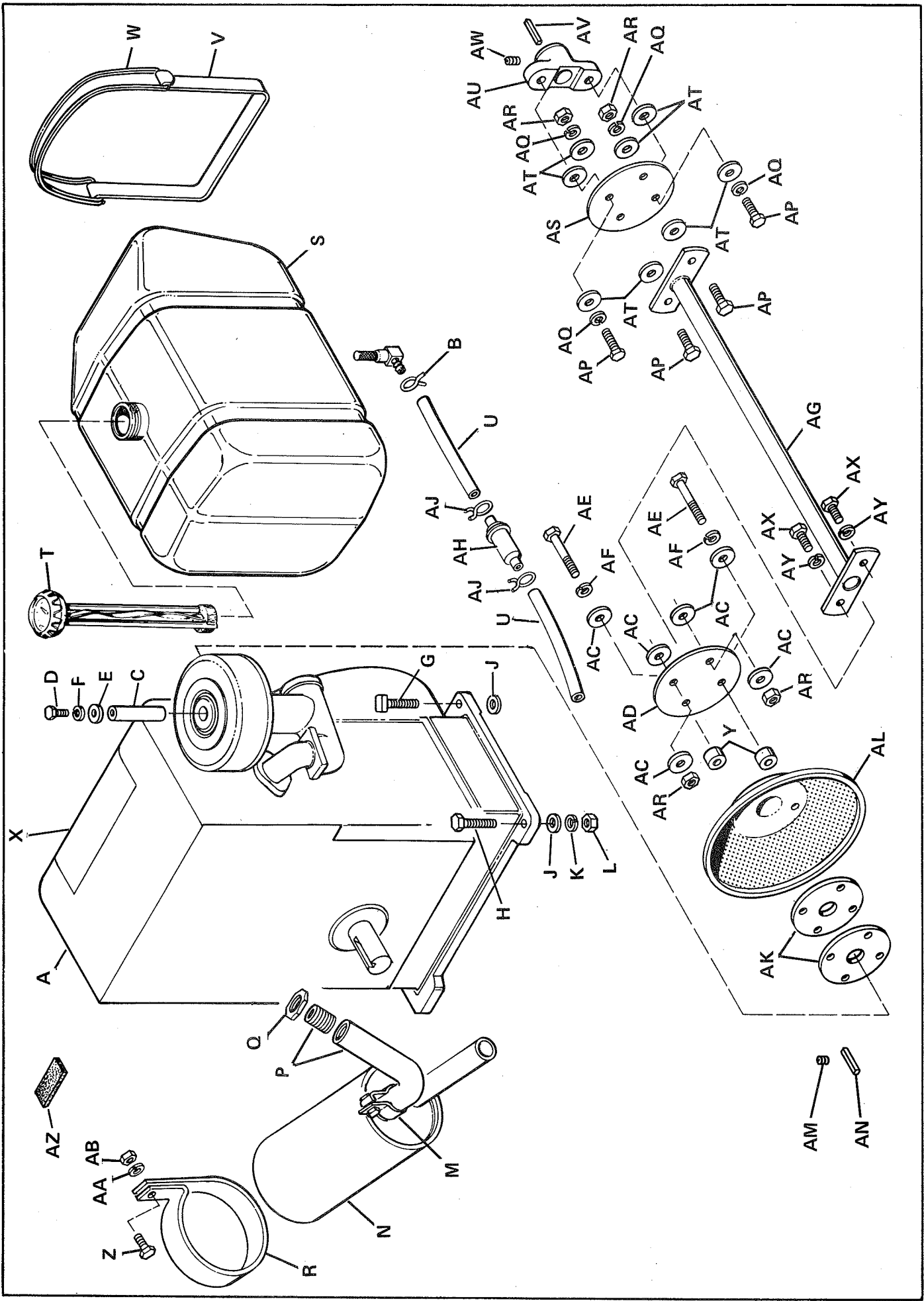
Litho in U.S.A.



# ENGINE AND DRIVE SHAFT LANDLORD

Ref. Let.	Part No.	Description
A		Engine
B	154372	Clamp Hose (For Service Only)
C	157126	Air Cleaner Spacer
D	715018	Hex Cap Screw, 1/4"-20 N.C. x 5/8"
E	719006	Plain Washer, 1/4"
F	720003	Lock Washer, 1/4"
G	172455	Rec't. Head Screw, 3/8"-16 N.C. x 1-5/16"
H	705009	Hex Cap Screw, 3/8"-16 N.C. x 1-1/2"
J	719001	Plain Washer, 3/8" Std.
K	720002	Lock Washer, 3/8"
L	717003	Hex Nut Full, 3/8"-16 N.C.
M	172061	Muffler Clamp
N	170456	Muffler, Exhaust
P	172195	Elbow & Nipple Assy.
Q	154378	Lock Nut
R	171880	Strap, Muffler
S	171115	Tank, Fuel
T	171252	Cap, Fuel Tank
U	723204	Hose, Fuel, Flexible
V	171330	Strap, Tank
W	172744	"O" Ring
X	157096	Decal, Caution
Y	157099	Flywheel Shroud
Z	705012	Hex Cap Screw, 5/16"-18 N.C. x 5/8"
AA	720001	Lock Washer, 5/16"
AB	717001	Hex Nut, Full, 5/16"-18 N.C.
AC	157424	Washer, Special
AD	173026	Coupling
AE	705009	Hex Capscrew, 3/8"-16 x 1-1/2"
AF	720002	Lock Washer, 3/8"

Ref. Let.	Part No.	Description
AG	172328	Shaft Assy., Drive
AH	157306	Shroud
AJ	705002	Hex Capscrew, 1/4"-20 x 1/2"
AK	720003	Lock Washer, 1/4"
AL	172389	Screen Assy., Engine
AM	173206	Fuel Filter
AN	154372	Clamp, Hose
AP	172677	Hex Cap Screw, 3/8"-16 N.C. x 1-1/8"
AQ	720002	Lock Washer, 3/8"
AR	717003	Hex Nut, Full, 3/8"-16 N.C.
AS	173026	Coupling
AT	157424	Washer, Special
AU	172264	Flange, Drive Shaft
AV	157427	Key, Drive Shaft
AW	715049	Cup Pt. Socket Head Set Screw, 3/8"-24 N.F. x 3/8"
AX	172677	Hex Cap Screw, 3/8"-16 N.C. x 1-1/8"
AY	720002	Lock Washer, 3/8"
AZ	171241	Key
BA	713504	Cup Pt. Socket Head Set Screw, 5/16"-18 N.C. x 5/8"
BB	157355	Flywheel Spacer
BC	172673	Drive Hub
BD	157305	Engine Pulley
BE	172329	Spacer
BF	106582	Felt Gasket
BG	715065	Hex Capscrew, 5/16"-18 x 2"
BH	719002	Plain Washer, 5/16"
BJ	720001	Lock Washer, 5/16"

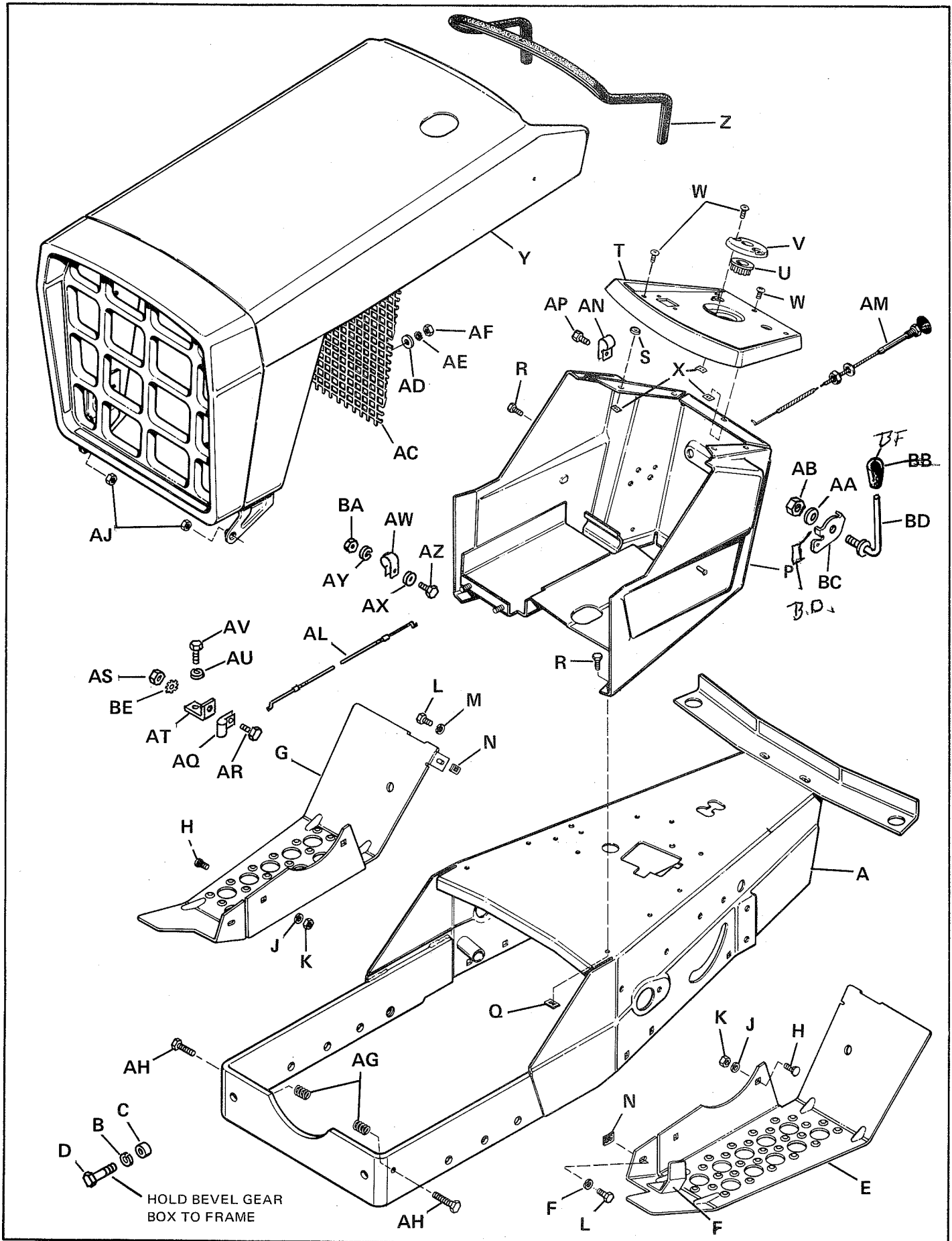


**ENGINE AND DRIVE SHAFT - SOVEREIGN**

## ENGINE AND DRIVE SHAFT - SOVEREIGN

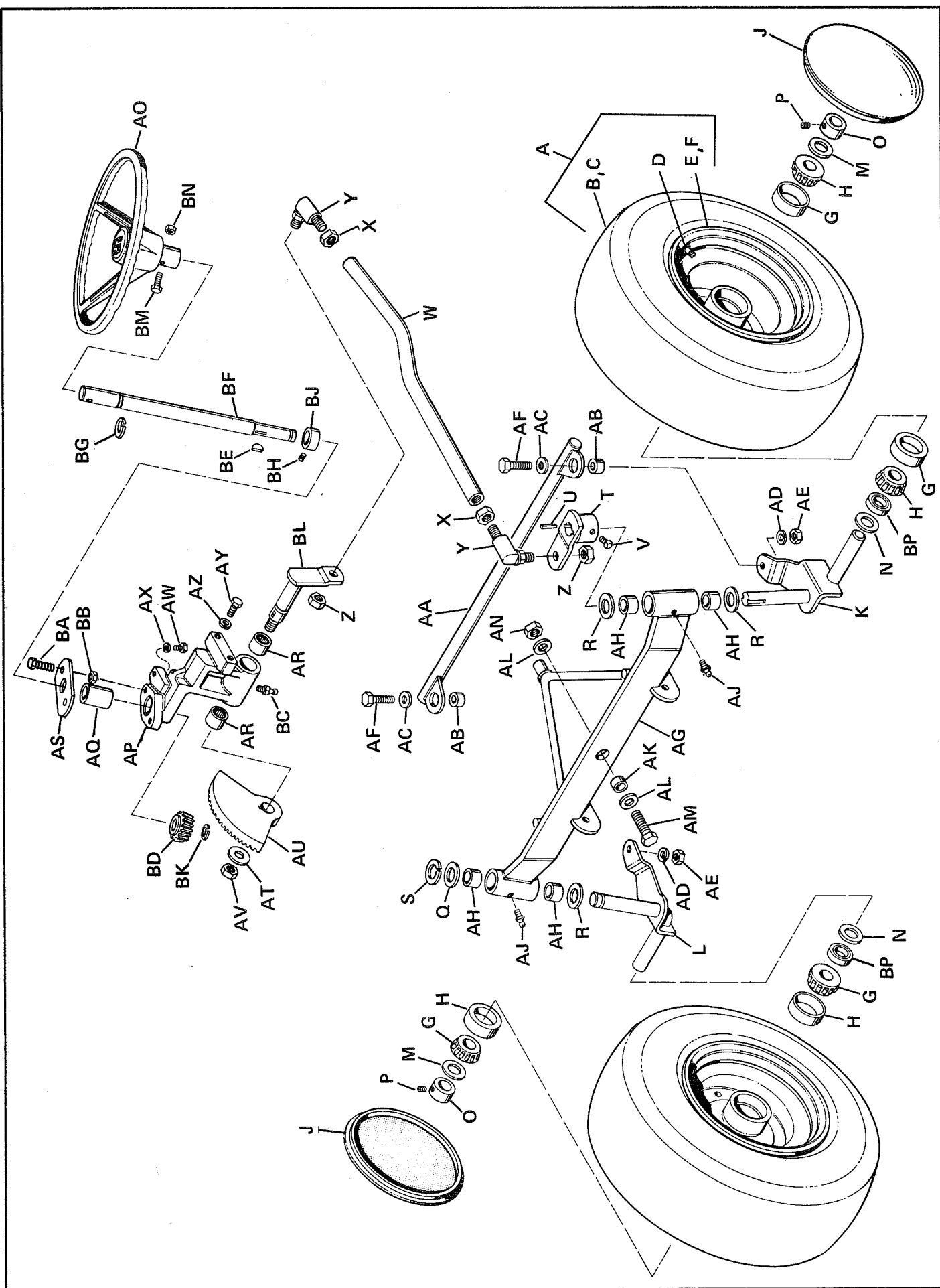
Ref. Let.	Part No.	Description
A		Engine, 14 H.P.
B	154372	Clamp Hose (For Service Only)
C	157126	Air Cleaner Spacer
D	715018	Hex Cap Screw, 1/4"-20 N.C. x 5/8"
E	719006	Plain Washer, 1/4"
F	720003	Lock Washer, 1/4"
G	172455	Rec't. Head Screw, 3/8"-16 N.C. x 1-5/16"
H	705009	Hex Cap Screw, 3/8"-16 N.C. x 1-1/2"
J	719001	Plain Washer, 3/8" Std.
K	720004	Lock Washer, 3/8"
L	717003	Hex Nut Full, 3/8"-16 N.C.
M	172061	Muffler Clamp
N	170456	Muffler, Exhaust
P	172195	Elbow & Nipple Assy.
Q	154378	Lock Nut
R	171880	Strap, Muffler
S	171115	Tank, Fuel
T	171252	Cap, Fuel Tank
U	173204	Hose, Fuel, Flexible
V	171330	Strap, Tank
W	172744	"O" Ring
X	157096	Decal, Caution
Y	172329	Spacer
Z	705012	Hex Cap Screw, 5/16"-18 N.C. x 5/8"
AA	720001	Lock Washer, 5/16"
AB	717001	Hex Nut, Full, 5/16"-18 N.C.
AC	157424	Washer, Special
AD	173026	Coupling
AE	715036	Hex Cap Screw, 3/8"-16 N.C. x 2-1/4" SAE Grade 5
AF	720002	Lock Washer, 3/8"
AG	172328	Shaft Assy., Drive
AH	173204	Fuel Filter
AJ	154372	Hose Clamp
AK	172674	Spacer
AL	172389	Screen Assy., Engine
AM	713504	Set Screw
AN	171241	Key
AP	172677	Hex Cap Screw, 3/8"-16 N.C. x 1-1/8"
AQ	720002	Lock Washer, 3/8"
AR	717003	Hex Nut, Full, 3/8"-16 N.C.
AS	173026	Coupling
AT	157424	Washer, Special
AU	172264	Flange, Drive Shaft
AV	157427	Key, Drive Shaft
AW	715049	Cup Pt. Socket Head Set Screw, 3/8"-24 N.F. x 3/8"
AX	172677	Hex Cap Screw, 3/8"-16 N.C. x 1-1/8"
AY	720002	Lock Washer, 3/8"
AZ	<del>106582</del>	Felt Gasket <i>173335</i>

# FRAME, HOOD, GRILL, & INST. PANEL



## FRAME, HOOD, GRILL, & INST. PANEL

Ref. Let.	Part No.	Description	Ref. Let.	Part No.	Description
A	170733	Frame Assy.	AC	171232	Screen, Grille
B	720006	Lock Washer, 7/16"	AD	172742	Washer
C	108419	Bushing	AE	721003	Lock Washer, Shakeproof No. 10
D	705039	Hex Cap Screw, 7/16"-14 N.C. x 1-1/2"	AF	717023	Nut, Hex Full, No. 10-24 N.F.
E	171271	Foot Rest R.H.	AG	8191047	Spring
F	172265	Guard Assy.	AH	705009	Hex Cap Screw, 3/8"-16 N.C. x 1-1/2"
G	171272	Foot Rest L.H.	AJ	717510	Hex Lock Nut, Center, 3/8"-16 N.C.
H	702015	Carriage, Bolt, 5/16"-16 N.C. x 3/4"	AL	171355	Throttle Control
J	720001	Lock Washer, 5/16"	AM	171334	Choke Control
K	717001	Hex Nut, Full, 5/16"-18 N.C.	AN	158475	Clip, Bowden Wire
L	705017	Hex Cap Screw, 5/16"-18 N.C. x 3/4"	AP	714005	Self Tapping Rd. Hd. Screw, No. 10 -24 N.C. x 1/2"
M	720001	Lock Washer, 5/16"	AQ	158475	Clip, Bowden Wire
N	718024	Nut, Tinnerman, 5/16"-18 N.C.	AR	710004	Rd. Hd. Mach. Screw, No. 10-32 N.F. x 3/8"
P	171266	Dash Assy.	AS	717007	Full Hex Nut, No. 10-32 N.F.
Q	718038	Nut, Tinnerman	AT	157315	Bracket, Throttle Cable
R	714031	Hex Head Self Tapping Screw, No. 14 AB x 3/4"	AU	720003	Lock Washer, 1/4" Stanlus Finish
S	719007	Plain Washer	AV	714021	Self Tapping Rec. Hex. Hd. Screw, 1/4"-20 N.C. x 5/8"
T	171231	Panel, Instrument	AW	122186	Clamp
U	157077	Bushing, Steering	AX	705015	Hex Cap Screw, 1/4"-20 N.C. x 5/8"
V	172008	Plate, Steering Adj.	AY	720003	Lock Washer, 1/4" Stanlus Finish
W	711002	Round Head Phillips Screw, 1/4"-20 N.C. x 1/2"	AZ	719006	Plain Washer, 1/4" Std.
X	718043	Nut, Tinnerman, 1/4"-20 N.C.	BA	717005	Hex Nut Full, 1/4"-20 N.C.
Y	171226	Grille & Hood Assy.	BB	172040	Throttle Handle
Z	172935	Molding, Hood	BC	171848	Stop Throttle
AA	721602	Washer Lock Dished Type, 3/8"	BD	158424	Arm Throttle (NOT SHOWN)
AB	717510	Full Lock Hex Nut, 3/8"-16 N.C.	BE	721003	Lock Washer, Shakeproof No. 10
			BE	172038	KN013



**FRONT WHEELS, AXLE, TIE ROD & STEERING**



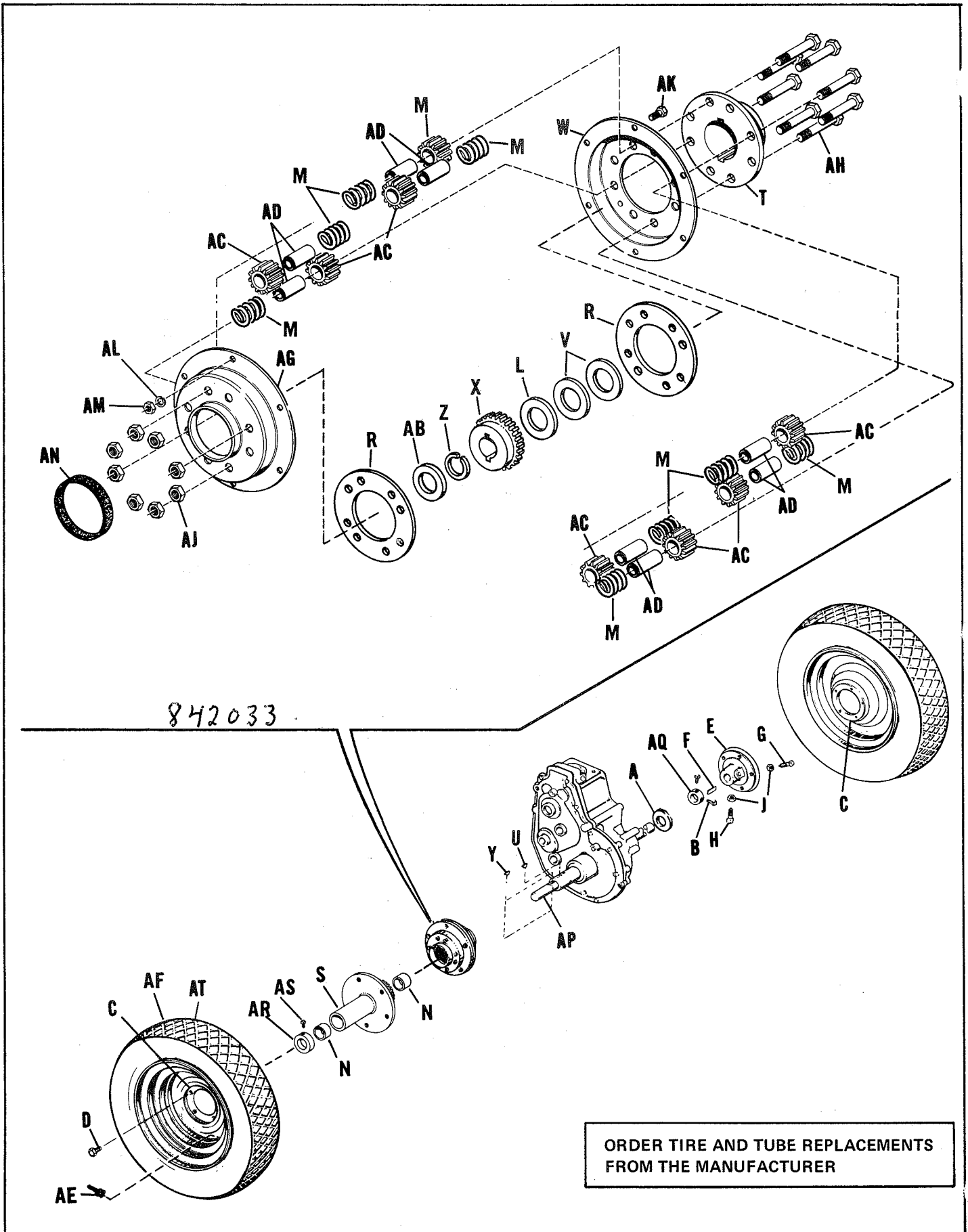
## FRONT WHEELS, AXLE, TIE ROD & STEERING

Ref. Let.	Part No.	Description
A	171376	Wheel & Tire Assy. (14 H.P.)
B	157490	Tire (14 H.P.)
C	164247	Tube (14 H.P.)
D	156305	Valve Stem & Cap (14 H.P.)
E	171377	Wheel-Sub Assy. (14 H.P.)
F	171378	Wheel (Front) (14 H.P.)
G	154393	Bearing, Cup
H	154486	Bearing, Cone (Without Seal)
J	154487	Hub Cap
K	171774	Spindle Assy. L.H.
L	157494	Spindle Assy. R.H.
M	108181	Washer
N	171375	Spacer
O	8021010	Collar, Set
P	713503	Cup Pt. Socket Head Set Screw, 5/16"-18 N.C. x 5/16"
Q	8061012	Washer (Use Beneath Snap Ring)
R	108181	Washer
S	157286	Ring, Retaining
T	170998	Arm Assy., Strg. L.H.
U	157427	Key
V	713006	Cup Pt. Socket Head Set Screw, 5/16"-18 N.C. x 1/2"
W	171830	Rod, Tie
X	717016	Hex Nut, Jam, 1/2"-20 N.F.
Y	164272	Joint, Ball
Z	717528	Hex Nut, Jam Lock, 1/2"-20 N.F.
AA	157499	Link Assy., Drag
AB	154177	Spacer
AC	719001	Washer, Plain, 3/8"
AD	720002	Lock Washer, 3/8"
AE	717003	Hex Nut, Full, 3/8"-16 N.C.
AF	705016	Hex Cap Screw, 3/8"-16 N.C. x 1-1/4"
AG	157616	Axle Assy., Front
AH	154289	Bearing

Ref. Let.	Part No.	Description
AJ	727001	Fitting, Grease
AK	157618	Spacer
AL	719004	Plain Washer, 1/2"
AM	715132	Hex Cap Screw, 1/2"-13 N.C. x 1-3/4", Grade 5
AN	717518	Hex Nut, Full Lock, 1/2"-13 N.C.
AO	171196	Steering Wheel
AP	170960	Steering Bracket, Casting
AQ	170992	Bushing, Steering
AR	154258	Bearing, Needle
AS	171000	Plate, Steering
AT	719003	Plain Washer, 7/16"
AU	170987	Gear, 23T, Bevel
AV	717519	Hex Nut, Lock, 7/16"-14 N.C.
AW	715030	Hex Cap Screw, 3/8"-16 N.C. x 3/4"
AX	720002	Lock Washer, 3/8"
AY	705031	Hex Cap Screw, 3/8"-16 N.C. x 7/8"
AZ	720002	Lock Washer, 3/8"
BA	705016	Hex Capscrew, 3/8"-16 x 1-1/4"
BB	717524	Hex Jam Nut, 3/8"-16
BC	727001	Fitting, Grease
BD	170988	Pinion, 15T, Bevel
BE	725002	Key, Woodruff, No. 6 5/32" W. x 5/8" Dia.
BF	171020	Shaft, Steering
BG	154264	Ring, Retaining
BH	713502	Set Screw, 5/16"-18 N.C. x 1/4"
BJ	8021010	Collar, Set
BK	158596	Ring, Retaining
BL	170999	Arm Assy., Steering
BM	705019	Hex Head Screw, 5/16"-18 N.C. x 1-1/4"
BN	717511	Hex Nut, Lock, 5/16"-18N.C.
BP	170168	Seal

A	171483	Wheel & Tire Assy. (10 H.P.)
B	153037	Tire (10 H.P.)
C	153038	Tube (10 H.P.)
D	171270	Valve Stem & Cap (10 H.P.)
E	171484	Wheel-Sub Assy. (10 H.P.)
F	171485	Wheel (Front) (10 H.P.)

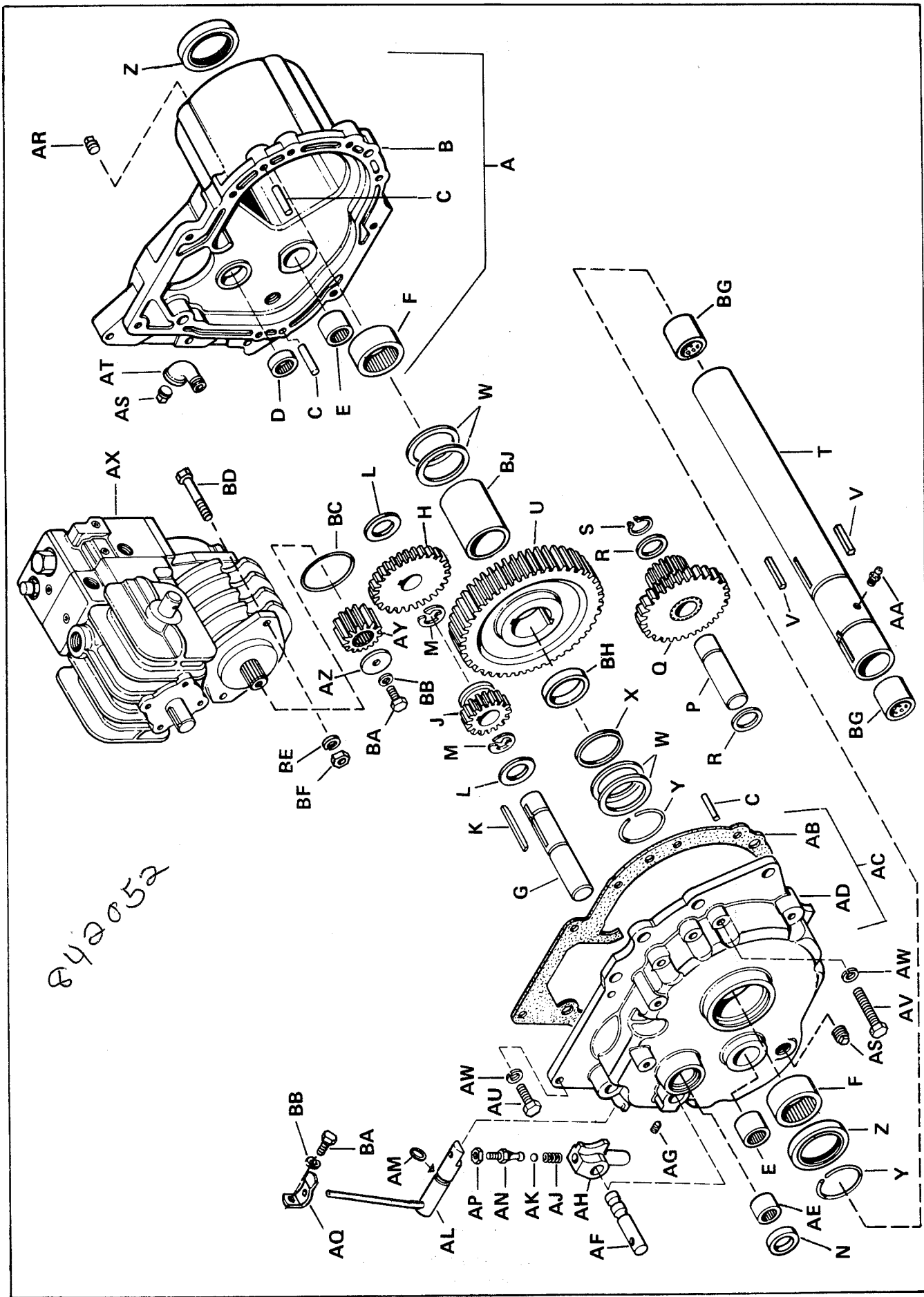
# REAR WHEELS AND AXLE



## REAR WHEELS AND AXLE

Ref. Let.	Part No.	Description
A	105050	Washer
B	713002	Set Screw, 5/16"-18 x 3/8"
C	170278	Wheel Drive
D	8261100	Hub Bolt
E	154208	L.H. Wheel Hub
F	159129	Key
G	715022	Set Screw, 3/8"-16 x 1-1/2"
H	713004	Set Screw, 3/8"-16 x 1"
J	717021	Hex Jam Nut, 3/8"-16
L	171515	Axle Washer
M	162085	Spring
N	153068	Bearing
R	171517	Ring Spacer
S	171519	Wheel Hub Assy.
T	164217	Differential Carrier
U	157120	Drive Key
V	154035	Axle Washer
W	171853	Differential Cover
X	164219	Differential Gear
Y	725501	Hi-Pro Key
Z	154291	Retaining Ring
AA	157638	Tube (For Service Only) (14 H.P.)
AA	157602	Tube (For Service Only) (10 H.P.)
AB	154277	Axle Washer
AC	158579	Differential Pinion
AD	121083	Pinion Differential Cover
AE	172353	Valve Stem
AF	170280	Wheel & Tire Assy. (14 H.P.)
AF	170279	Wheel & Tire Assy. (10 H.P.)
AG	171854	Differential Cover
AH	715043	Hex. Cap Screw, 3/8"-16 x 2-1/2"
AJ	717510	Full Lock Hex. Nut, 3/8"-16
AK	705015	Hex. Cap Screw, 1/3"-20 x 5/8"
AL	720003	Lock Washer, 1/4"
AM	717005	Full Hex. Nut, 1/4"-20
AN	121190	Differential Cover Seal
AP	171526	Rear Axle
AQ	154065	Axle Collar
AR	154065	Axle Collar
AS	713002	Set Screw, 5/16"-18 x 3/8"
AT	157637	Tire 10-1/2" x 12 (14 H.P.)
AT	157024	Tire 10-1/2" x 12 (10 H.P.)

*NOTE: Reference letters "W" and "AG" must be replaced in pairs.*



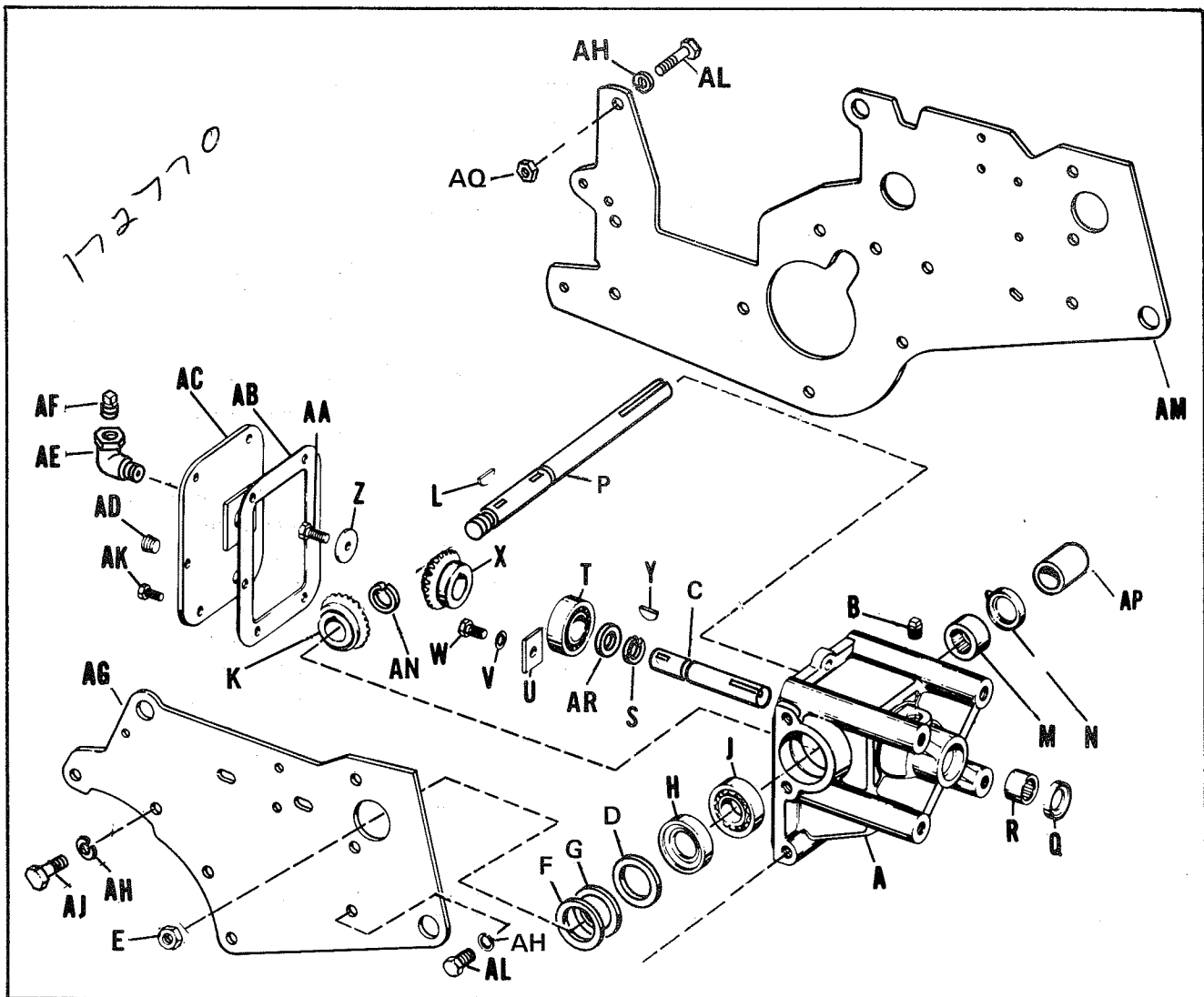
**TRANSMISSION GROUP**

842052

## TRANSMISSION GROUP

Ref. Let.	Part No.	Description	Ref. Let.	Part No.	Description
A	166105	Gear Case Complete (includes B thru F)	AE	166019	Needle Bearing
B	166001	Gear Case	AF	166028	Shifter Shaft
C	723007	Roll Pin, 3/8" x 1"	AG	715019	Cone Pt. Setscrew, Hollow Hd., 5/16"-18 x 1/2"
D	154271	Needle Bearing	AH	166027	Shift Fork
E	166018	Needle Bearing	AJ	154323	Spring
F	157519	Needle Bearing	AK	154262	Shift Lock Ball
G	166011	Brake Shaft	AL	166164	Shift. Shaft Assembly
H	166004	Gear - 1st Interm.	AM	166023	"O" Ring
J	166005	Sliding Pinion	AN	166029	Shift Stem
K	166014	Key	AP	717029	Hex. Jam Nut, 5/16"-24
L	166013	Washer	AQ	166162	Lift Lever Latch
M	166015	Retainer Ring	AR	726002	Pipe Plug, 1/4"
N	166021	Oil Seal	AS	726003	Pipe Plug, 3/8"
P	166012	Shaft, Interm.	AT	728501	Street Elbow, 3/8"
Q	166010	Pinion & Gear Assembly	AU	705007	Hex. Capscrew, 5/16-18 x 1"
R	166016	Washer	AV	705020	Hex. Capscrew, 5/16-18 x 2"
S	166017	Retaining Ring	AW	720001	Lock Washer, 5/16"
T	166066	Axle Tube Assembly	AX	166097	Hydrostatic Pump & Motor Unit
U	166006	Drive Gear	AY	166003	Motor Shaft Pinion
V	154096	Key	AZ	123144	Washer
W	154097	Washer	BA	715088	Hex. Capscrew, 5/16-24 x 5/8"
X	166167	Washer	BB	720001	Lock Washer, 5/16"
Y	154268	Snap Ring	BC	166026	"O" Ring
Z	154269	Seal	BD	715064	Hex. Capscrew, 7/16-14 x 4"
AA	727002	Grease Fitting	BE	720006	Lock Washer, 7/16"
AB	166043	Gear Case Gasket	BF	717022	Hex. Nut, Full, 7/16"-14
AC	166103	Gear Case Cover Sub. Assy. (includes AD, AE, E, F)	BG	164224	Bushing
AD	166002	Gear Case Cover	BH	166040	Spacer (R.H.Side)
			BJ	166041	Spacer (L.H.Side)

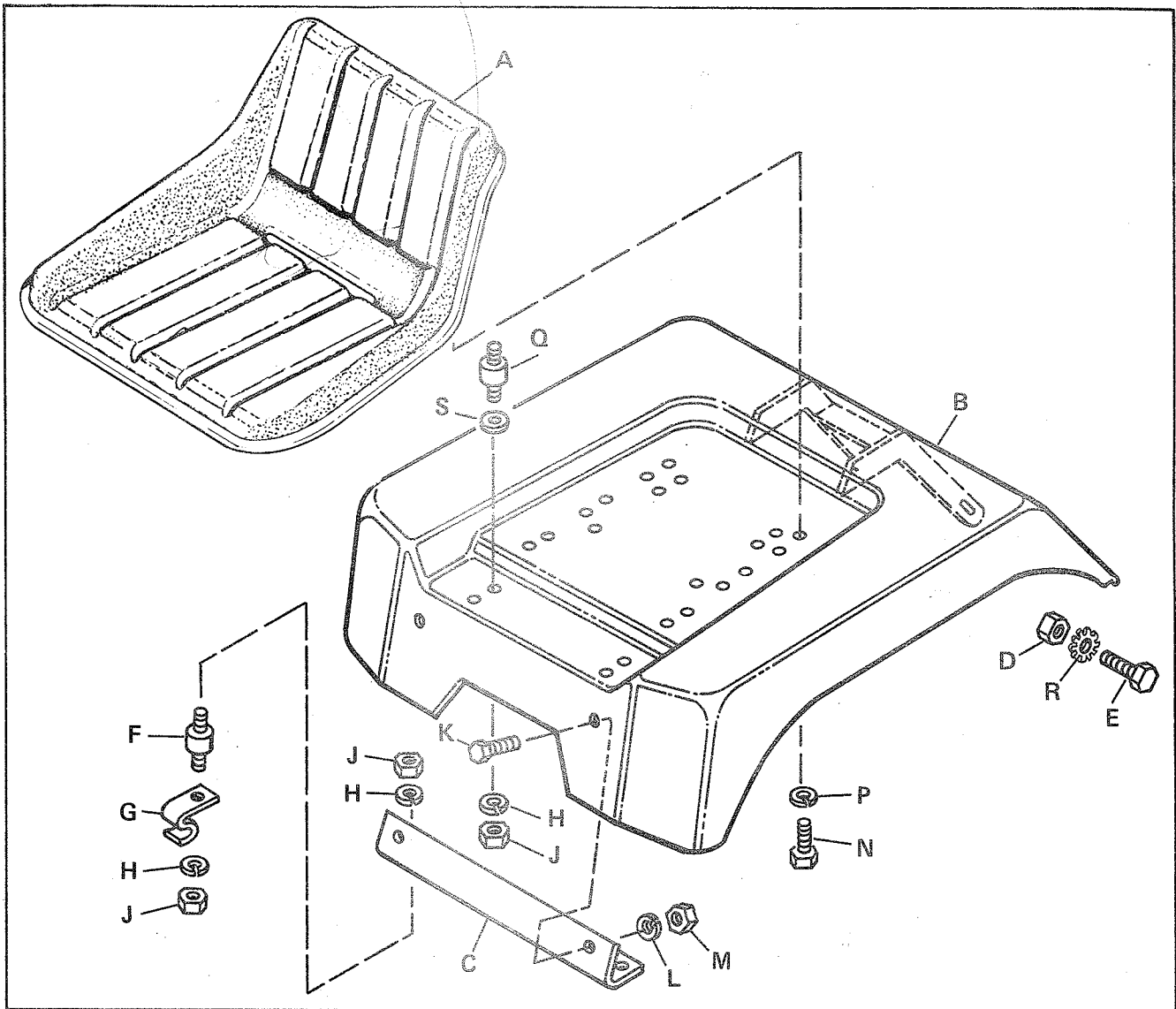
# BEVEL GEAR HOUSING



Ref. Let.	Part No.	Description
A	171797	Bevel Gear Housing, W/Bearings
B	154326	Pipe Plug
C	172750	Drive Shaft
D	154071	Washer
E	717517	Hex Jam Nut
F	171790	Shim (As Required)
G	171791	Shim
H	171787	Oil Seal
J	172256	Ball Bearing
K	171796	Bevel Driven Gear
L	725003	Key
M	154279	Needle Bearing
N	118117	Oil Seal
P	172208	Driven Shaft
Q	118117	Oil Seal
R	154279	Needle Bearing
S	172206	Retaining Ring
T	172256	Ball Bearing
U	154040	Bearing Clamp Plate
V	720001	Lock Washer, 5/16"

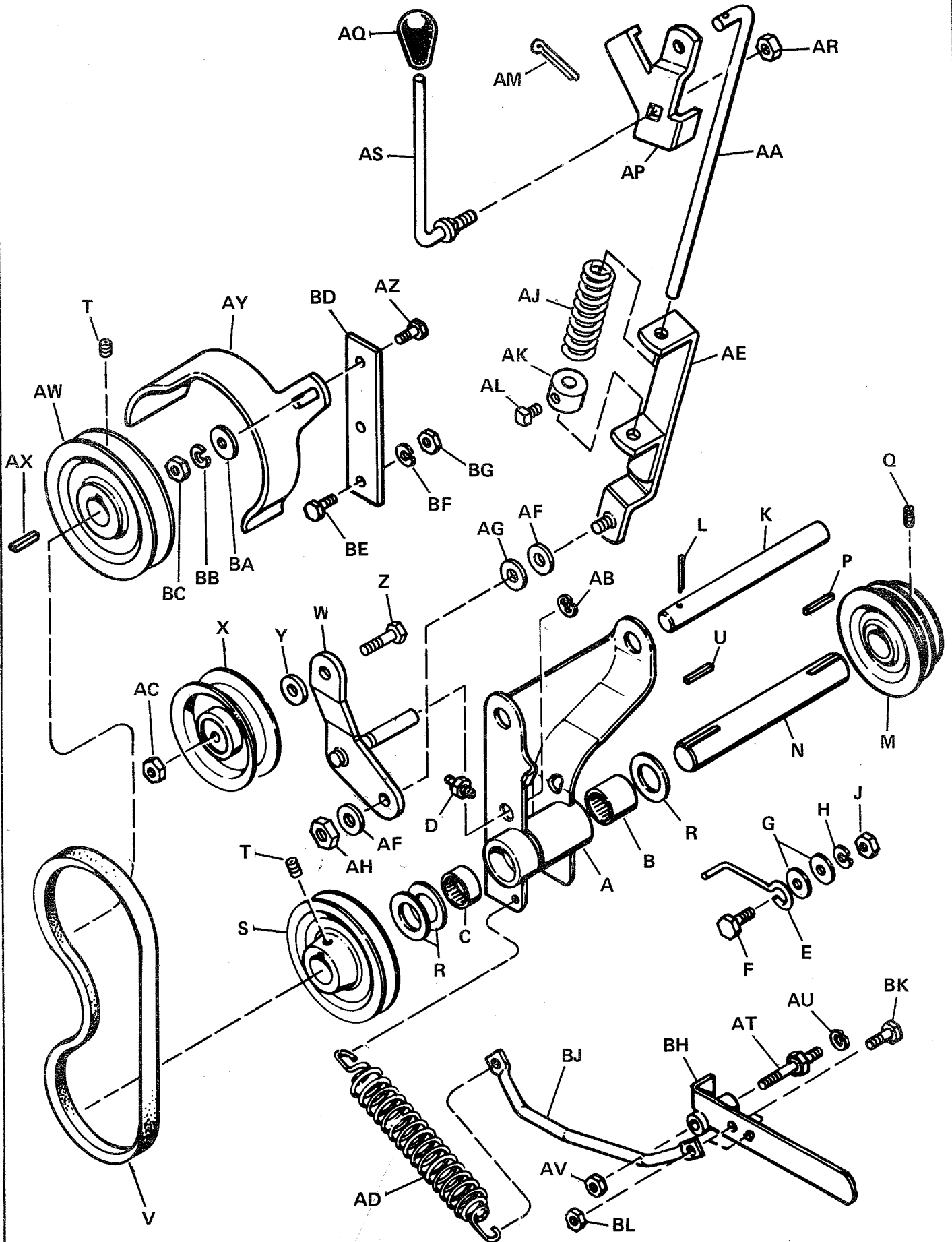
Ref. Let.	Part No.	Description
W	705012	Hex Capscrew, 5/16"-18 x 5/8"
X	172752	Bevel Driven Gear
Y	725003	Key
Z	154026	Washer
AA	154281	Hex Capscrew, 5/16"-18 x 3/4"
AB	154282	Gasket
AC	164249	Housing Cover Assembly
AD	726002	Pipe Plug
AE	728501	Street Elbow
AF	726003	Pipe Plug
AG	166049	R.H. Side Plate
AH	720006	Lock Washer, 7/16"
AJ	705041	Hex Cap Screw, 7/16"-14 x 1"
AK	707003	Hex Cap Screw, 1/4"-20 x 5/8"
AL	705042	Hex Capscrew, 7/16"-14 x 1-1/4"
AM	166054	L.H. Side Plate
AN	172206	Retaining Ring
AP	171792	Spacer
AQ	717022	Full Hex Nut, 7/16"-14
AR	172753	Washer

## SEAT AND FENDERS



Ref. Let.	Part No.	Description
A	171153	Seat Assy.
B	166111	Seat Deck Assy.
C	164029	Seat Deck Bracket, Front
D	717510	Hex Locknut, Full, 3/8"-16
E	705016	Hex Head Capscrew, 3/8"-16 x 1-1/4"
F	159085	Cushion Connector, Front
G	164145	Spring Clip
H	720001	Lock Washer, 5/16"
J	717001	Hex Nut, Full, 5/16"-18
K	705012	Hex Head Capscrew, 5/16"-18 x 5/8"
L	720001	Lockwasher, 5/16"
M	717001	Hex Nut, Full, 5/16"-18
N	705012	Hex Head Capscrew, 5/16"-18x5/8"
P	720001	Lockwasher, 5/16"
Q	157094	Cushion Connector, Front
R	721601	Lock Washer
S	719006	Washer

# POWER TAKE-OFF



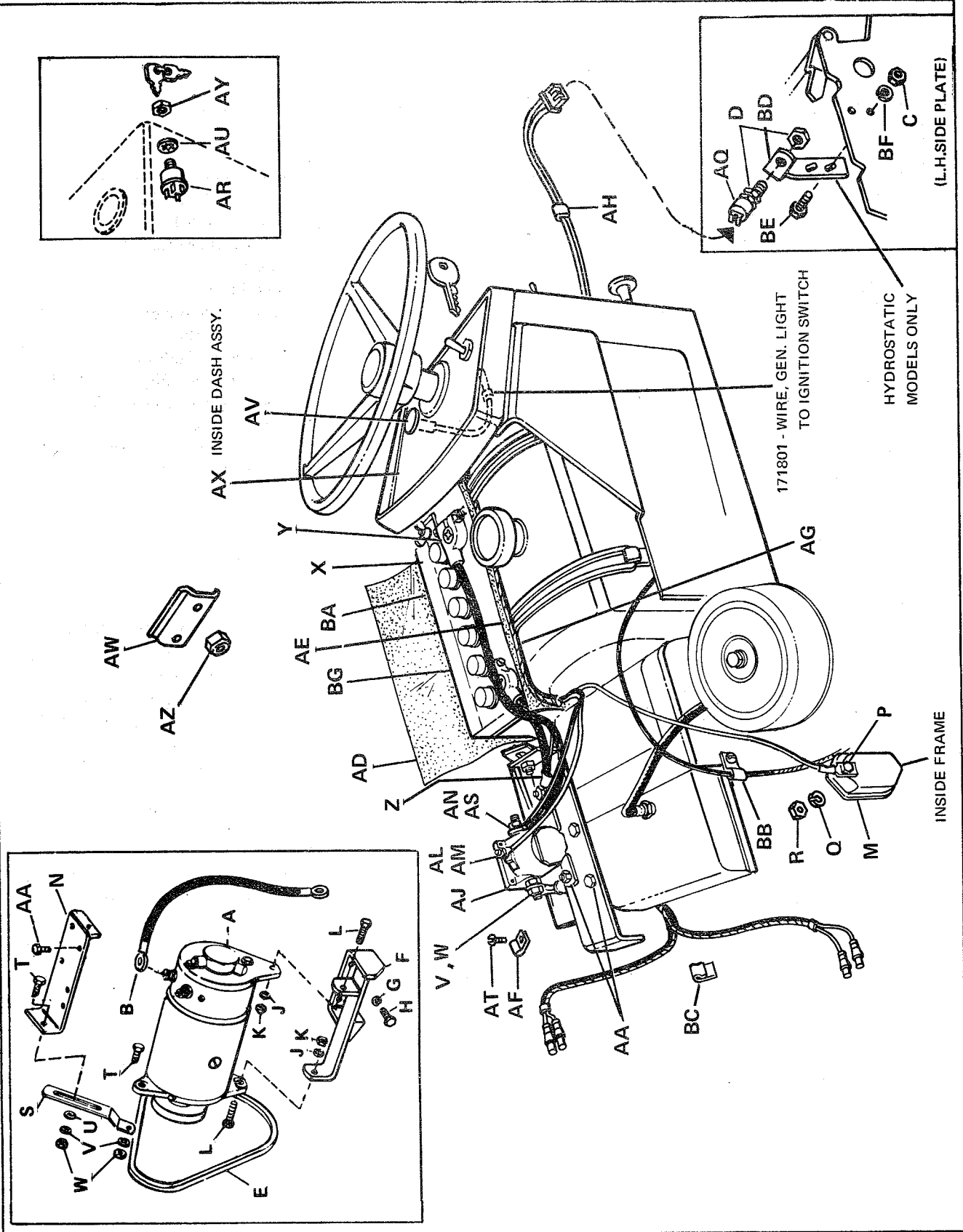


## POWER TAKE-OFF

Ref. Let.	Part No.	Description
A	157675	Bracket, P.T.O. Assy.
B	157678	Bearing, Roller
C	157679	Bearing, Roller
D	172761	Grease Fitting
E	161080	Stop Belt
F	705019	Hex Hd. Capscrew, 5/16"-18 x 1-1/4"
G	719002	Plain Washer, 5/16"
H	720001	Lock Washer, 5/16"
J	717001	Full Hex Nut, 5/16"-18 N.C.
K	154233	Rod Pivot, 5/8" Dia. x 6-13/16"
L	722007	Cotter Pin
M	157680	Pulley
N	157681	Shaft, P.T.O.
P	157427	Key
Q	713502	Cup Pt. Skt. Hd. Screw Set, 5/16"-18 N.C. x 1/4"
R	118252	Washer
S	172064	Pulley, P.T.O.
T	713503	Cup Pt. Skt. Hd. Screw Set, 5/16"-18 N.C. x 5/16"
U	157427	Key
V	172066	"V" Belt, P.T.O.
W	171326	Idler Lever Assy.
X	164268	Idler Pulley
Y	719002	Plain Washer, 5/16"
Z	705016	Hex Cap Screw, 3/8"-16 N.C. x 1-1/4"
AA	171320	Clutch Rod, P.T.O.
AB	157288	Retaining Ring
AC	717524	Center Jam, 3/8"-16 N.C.
AD	157262	Spring, Tension
AE	171321	Rod Guide Assy.

Ref. Let.	Part No.	Description
AF	719002	Plain Washer, 5/16"
AG	159134	Washer, Special
AH	717525	Elastic Stop Nut, 5/16"-18 N.C.
AJ	163103	Spring
AK	8191022	Set Collar
AL	713001	Cup Pt. Sq. Hd. Screw Set, 1/4"-20 N.C. x 3/8"
AM	722016	Cotter Pin, 3/32" x 1/2"
AN	717510	Full Lock Hex Nut, 3/8"-16 N.C.
AP	172166	Clutch Lever Assy. P.T.O.
AQ	172038	Knob, P.T.O.
AR	717510	Full Lock Hex Nut, 3/8"-16 N.C.
AS	172040	Clutch Handle, P.T.O.
AT	157273	Stud
AU	720006	Lock Washer, 7/16"
AV	717519	Full Lock Hex. Nut, 7/16"
AW	172065	Pulley
AX	8061081	Key
AY	164152	Guard Belt
AZ	705005	Hex Cap Screw, 3/8"-16 N.C. x 1"
BA	719001	Plain Washer, 3/8"
BB	720002	Lock Washer, 3/8"
BC	717003	Full Hex Nut, 3/8"-16 N.C.
BD	157050	Guard Belt Support, 3/16" x 1-1/4" x 5-7/16"
BE	705007	Hex Cap Screw, 5/16"-18 N.C. x 1"
BF	720001	Lock Washer, 5/16"
BG	717001	Full Hex Nut, 5/16"-18 N.C.
BH	164155	Handle Assy.
BJ	164047	Spring Tension Rod
BK	705017	Hex Cap Screw, 5/16"-18 N.C. x 3/4"
BL	717511	Full Lock Hex Nut, 5/16"-18 N.C.

# ELECTRIC STARTER-GENERATOR SYSTEM

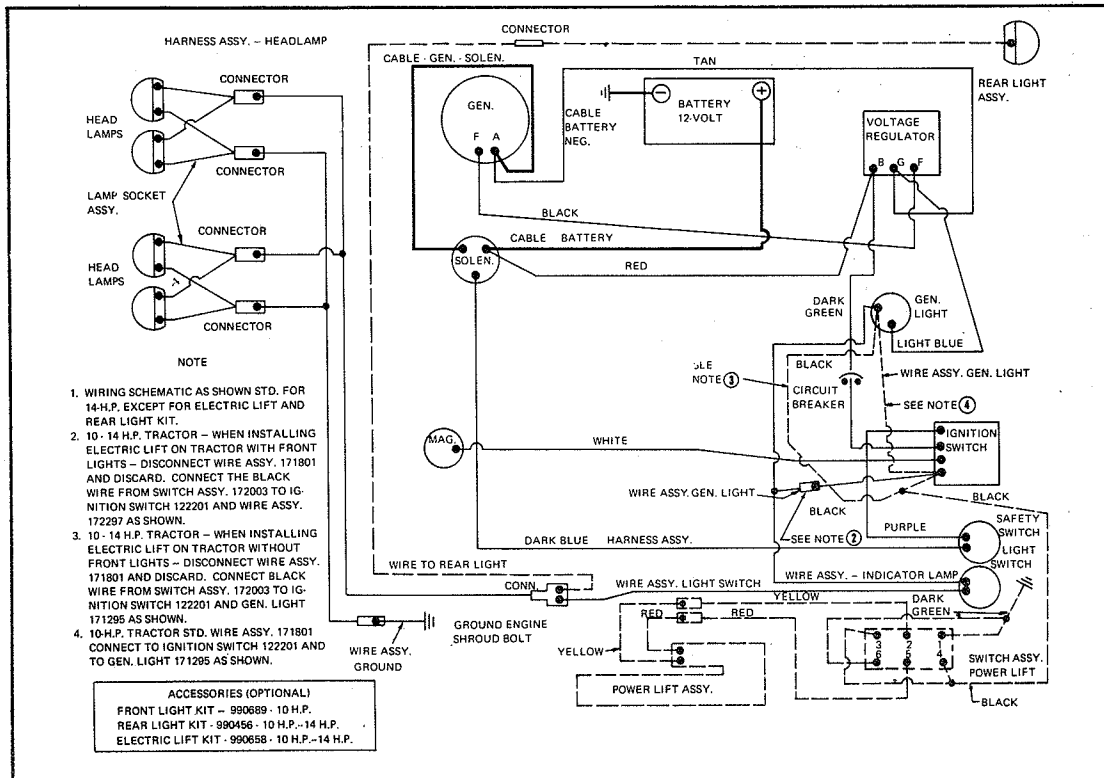


# ELECTRIC STARTER-GENERATOR SYSTEM

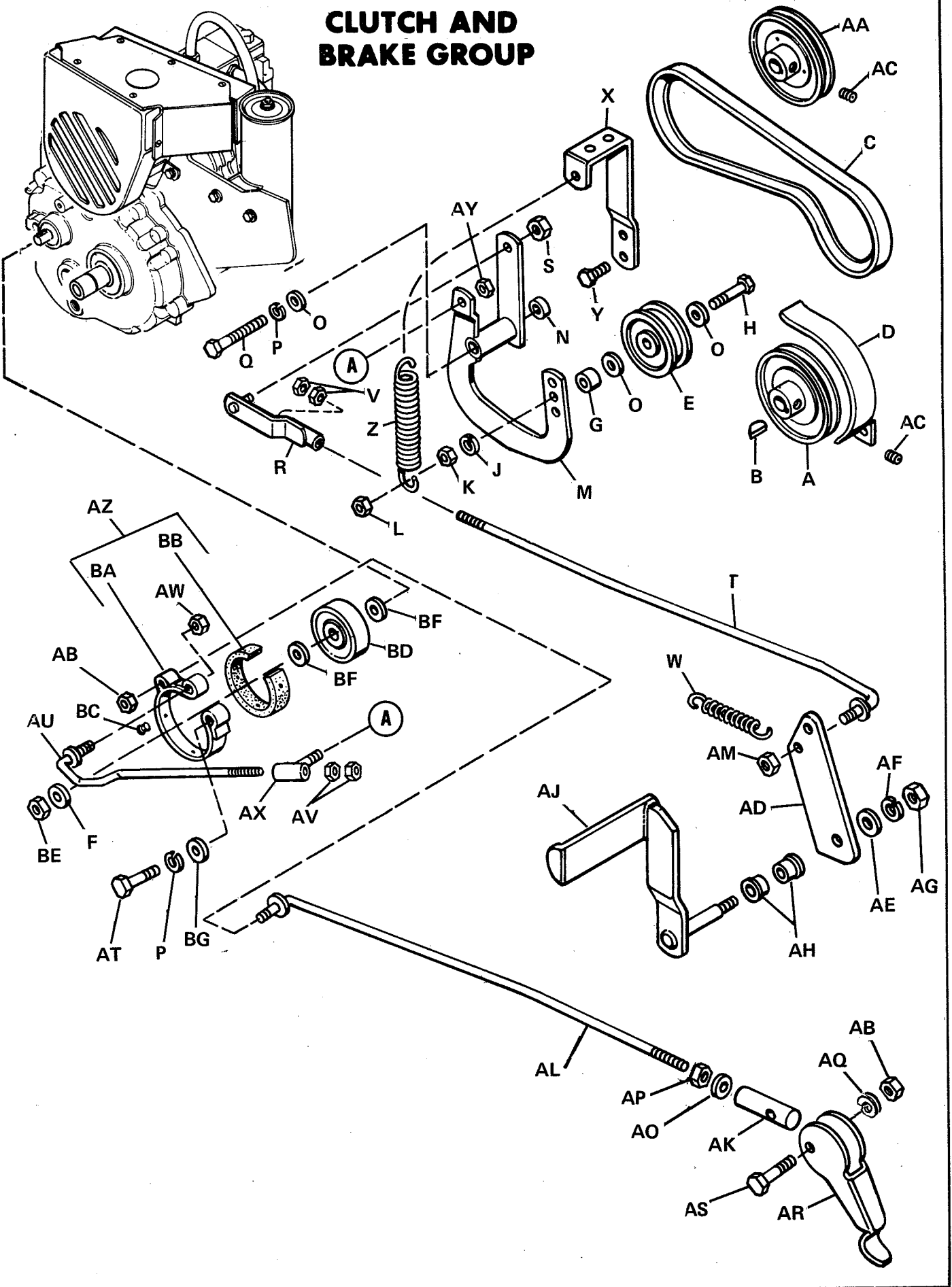
Ref. Let.	Part No.	Description
A	122236**	Motor-Generator
B	122213	Generator Start Cable
C	717001	Full Hex Nut, 5/16"-18
D	122234	Nut
E	157524	"V" Belt (14 H.P.)
E	122146	"V" Belt (10 H.P.)
F	157654	Support Assy.
G	720001	Lock Washer, 5/16"
H	705017	Hex Cap Screw, 5/16"-18 x 3/4"
J	720001	Lock Washer, 5/16"
K	717001	Full Hex Nut, 5/16"-18
L	705019	Hex Cap Screw, 5/16"-18 x 1-1/4"
M	122193**	Voltage Regulator
N	171885	Bracket
P	705030	Hex Cap Screw, 1/4"-20 x 3/4"
Q	720003	Lock Washer, 1/4"
R	717005	Full Hex Nut, 1/4"-20
S	157102	Belt Tightener
T	715048	Hex Cap Screw, 5/16"-18 x 3/4"
U	719002	Plain Washer, 5/16"
V	720001	Lock Washer, 5/16"
W	717001	Full Hex Nut, 5/16"-18
X	172270	Battery
Y	171805	Cable (Battery to Solenoid)
Z	171811	Cable (Battery to Ground)
AA	715090	Screw Hex Thread Forming, 1/4"-20 x 1/2"

Ref. Let.	Part No.	Description
AD	122142	Battery Insulation
AE	172119	Fuel Tank Insulation
AF	122195	Wire Clamp (Generator Cable)
AG	171810	Harness Assembly
AH	165073	Speed Clip
AJ	122216	Solenoid
AL	717005	Full Hex Nut, 1/4"-20
AM	720003	Lock Washer, 1/4"
AN	717007	Full Hex Nut, 10-32
AP	171801	Wire Ignition to Gen. Light
AQ	122233	Safety Switch
AR	122201	Starter Switch w/Keys
AS	721003	Lock Washer, ext. No. 10
AT	714005	Rd. Hd. Screw 10-24 x 1/2"
AU	721509	Lock Washer Int. 9/16"
AV	171295	Indicator Lamp Assy.
AW	171225	Battery Clamp
AX	172163	Circuit Breaker
AY	122235	Hex Nut
AZ	717525	Elastic Stop Nut, 5/16"-18
BA	172175	Grommet
BB	106786	Clamp
BC	165074	Speed Clip
BD	166174	Switch Support
BE	705017	Hex Cap Screw, 5/16"-18 x 3/4"
BF	720001	Lock Washer, 5/16"
BG	172277	Film, Battery

\*\* FOR SERVICE CONTACT YOUR LOCAL UNITED MOTOR SERVICE DEALER (DELCO-REMY)



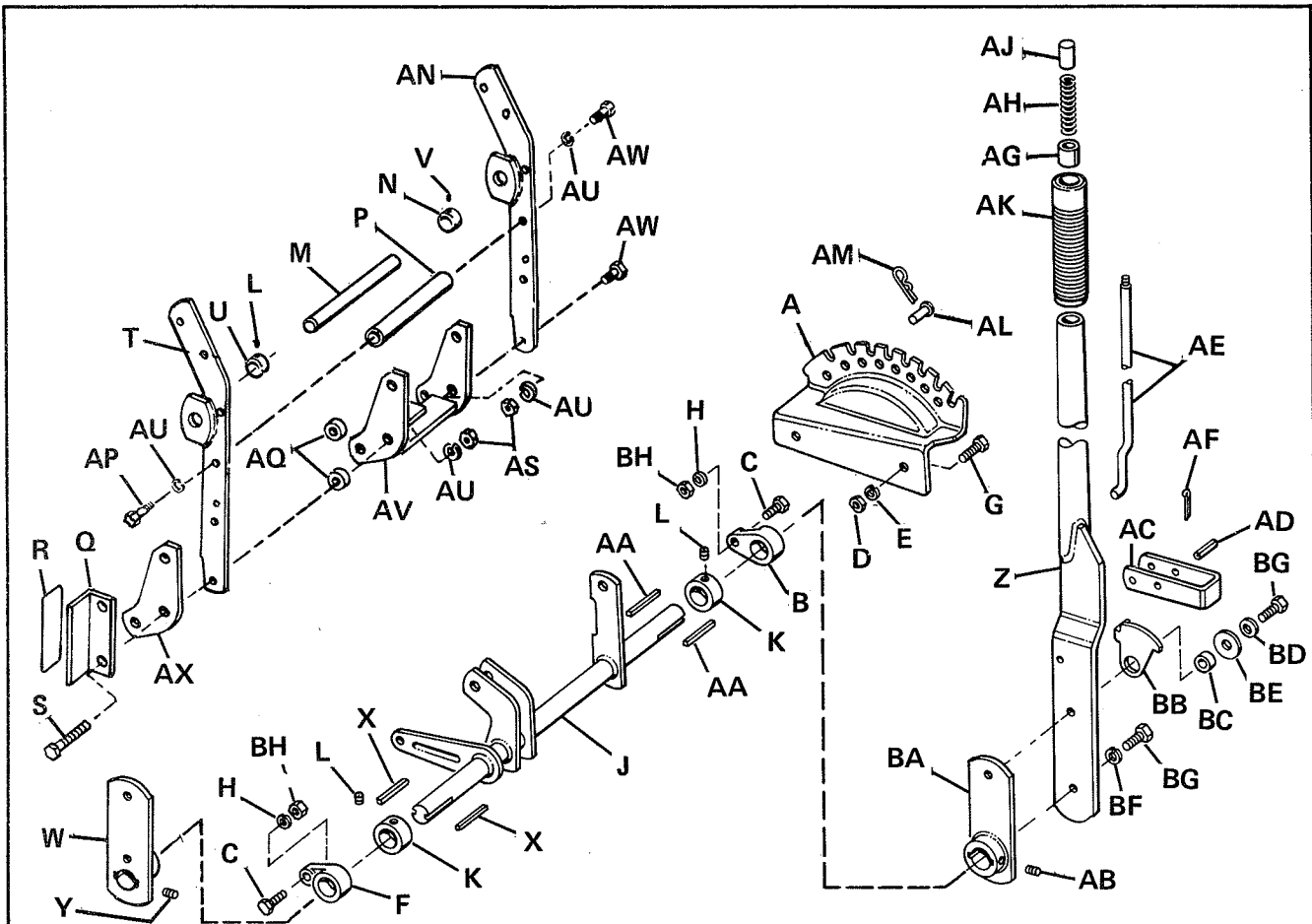
# CLUTCH AND BRAKE GROUP



## CLUTCH AND BRAKE GROUP

Ref. Let.	Part No.	Description	Ref. Let.	Part No.	Description
A	157121	Driver Pulley	AE	719001	Plain Washer, 3/8"
B	725003	Woodruff Key, 3/16" x 3/4"	AF	720002	Lock Washer, 3/8"
C	166172	"V" Belt	AG	717003	Full Hex. Nut, 3/8"-16 N.C.
D	166122	Belt Guard Assy.	AH	108419	Bushing
E	164268	Idler Pulley	AJ	171178	Foot Pedal Assy.
F	719001	Plain Washer, 3/8"	AK	171994	Rod End
G	157081	Spacer	AL	172461	Parking Brake Rod Assy.
H	705003	Hex Capscrew, 3/8"-16 x 2-1/4"	AM	717511	Hex Nut, Full, Lock, 5/16"-18
J	720002	Lock Washer, 3/8"	AN	719006	Plain Washer, 1/4" Std.
K	717003	Full Hex Nut, 3/8"-16 N.C.	AO	719004	Plain Washer, 1/2"
L	717524	Jam Hex Lock Nut, 3/8"-16 N.C.	AP	717001	Full Hex Nut, 5/16"-18 N.C.
M	166126	Idler Lever Assy.	AQ	721702	Double Lock Washer, 1/4"
N	166130	Spacer	AR	172108	Parking Brake Lever
O	719001	Plain Washer, 3/8"	AS	715062	Hex Capscrew, 1/4"-20 N.C. x 1-1/4" Grade 8
P	720002	Lock Washer, 3/8"	AT	705010	Hex Capscrew, 3/8"-16 x-1-3/4"
Q	715063	Hex Capscrew, 7/16"-14 x 3-3/4"	AU	172460	Brake Rod Assy.
R	166157	Rod Guide Assembly	AV	717003	Full Hex. Nut, 3/8"-16 N.C.
S	717511	Full Hex Lock Nut, 5/16"-18 N.C.	AW	717505	Full Hex Lock Nut, 3/8"-16
T	172463	Clutch Rod Assy.	AX	166119	Rod Guide Assy.
U	722009	Cotter Pin, 1/8" x 3/4"	AY	717511	Full Hex. Lock Nut, 5/16"-18 N.C.
V	717001	Full Hex Nut, 5/16"-18 N.C.	AZ	172234	Brake Band & Lining Assy.
W	159106	Front Tension Spring	BA	172236	Brake Band
X	166156	Spring Bracket, 1/4" x 1 x 11-1/4"	BB	172237	Brake Lining
Y	714027	Hex Hd. Capscrew, 3/8" x 3/4"	BC	724502	Rivet No. 7 x 1/4"
Z	154369	Idler Pulley Spring	BD	166176	Brake Drum
AA	166173	Driven Pulley	BE	717519	Lock Nut, 7/16"-14
AB	717509	Hex Nut, Full, Lock, 1/4"-20	BF	158196	Washer
AC	713503	Cup Pt. Socket Hd. Set Screw, 5/16"-18 x 5/16"	BG	719002	Plain Washer, 3/8"
AD	157300	Foot Pedal Arm, 1/4" x 1-3/4" x 5-7/8"			

# REAR LIFT DRAW BAR GROUP



Ref. Let.	Part No.	Description	Ref. Let.	Part No.	Description
A	171599	Lift Lever Quadrant	AE	170983	Latch Rod
B	170975	Lift Lever Bearing	AF	722001	Cotter Pin, 3/32" x 3/4"
C	715046	Hex Cap Screw, 5/16"-18 x 1-1/4"	AG	154226	Spacer
D	717001	Full Hex Nut, 5/16"	AH	152006	Spring
E	720001	Lock Washer, 5/16"	AJ	154227	Thumb Button
F	170795	Lift Lever Bearing	AK	156209	Handle Grip
G	705004	Hex Capscrew, 3/8"-16 x 3/4"	AL	153058	Pin
H	720002	Lock Washer, 3/8"	AM	8161045	Spring Clip
J	171598	Lift Shaft Assy.	AN	166072	Arm Assy.
K	157624	Set Collar	AP	705047	Hex Capscrew, 7/16"-14 x 1-3/4"
L	713503	Set Screw 5/16"-18 x 5/16"	AQ	166076	Spacer
M	154216	Lift Shaft	AR	717001	Hex Nut, 5/16"-18
N	157695	Set Collar	AS	717022	Full Hex Nut, 7/16"
P	166110	Spacer	AU	720006	Lock Washer, 7/16"
Q	166198	Plate, Decal	AV	166074	Draw Bar Assembly
R	166197	Film, Safety	AW	705042	Hex Capscrew, 7/16"-14 x 1-1/4"
S	705069	Hex Capscrew, 7/16"-14 x 2-1/2"	AX	166075	Draw Plate
T	166206	Arm Assy.	AY	715046	Hex Capscrew, 5/16"-18 x 1-1/4"
U	8021010	Set Collar	AZ	720001	Lock Washer, 5/16"
V	713501	Set Screw, 5/16"-18 x 1/2"	BA	171593	Lift Lever Assy. Inner Section
W	157625	Front Lift Lever Assy.	BB	171935	Pawl, Lift Lever
X	157652	Key	BC	105184	Spacer
Y	713502	Set Screw, 5/16"-18 x 1/4"	BD	172031	Spring Washer
Z	171589	Lift Lever Assy.	BE	719001	Washer, 3/8"
AA	157120	Key	BF	720002	Lock Washer, 3/8"
AB	713502	Set Screw, 5/16"-18 x 1/4"	BG	715120	Hex Capscrew, 3/8"-16 x 1"
AC	170989	Lift Lever Latch	BH	717003	Full Hex Nut, 3/8"
AD	723007	Roll Pin			

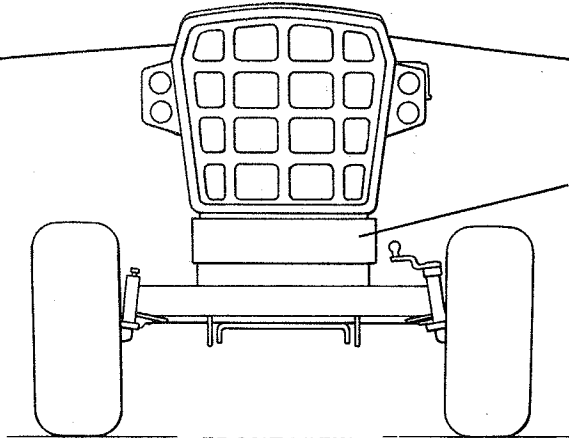
# DECALS-SOVEREIGN HYDROSTATIC DRIVE

172132 - FILM, SIMPLICITY &  
NUMBER 3314H, R.H.

172131 - FILM, SIMPLICITY &  
NUMBER, 3314H, L.H.

172816 - FILM, BRAKE  
172335 - PLATE, SAFETY  
166199 - ASSY. INSTRUCTIONS  
171505 - PLATE, SERIAL NO.

172139 - FILM, FRONT EMBLEM -  
SOVEREIGN

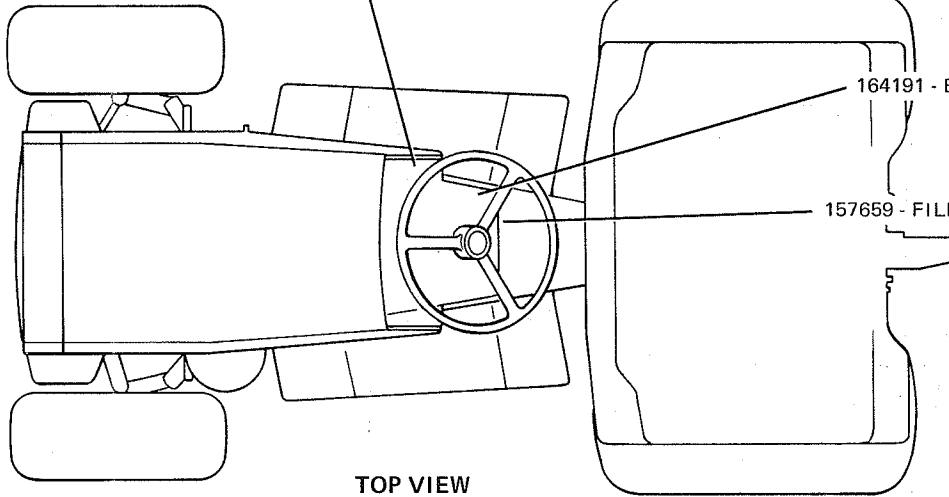


FRONT VIEW

172192 - FILM, INSTRUMENT PANEL

164191 - BUTTON PLUG

157659 - FILM, IGNITION



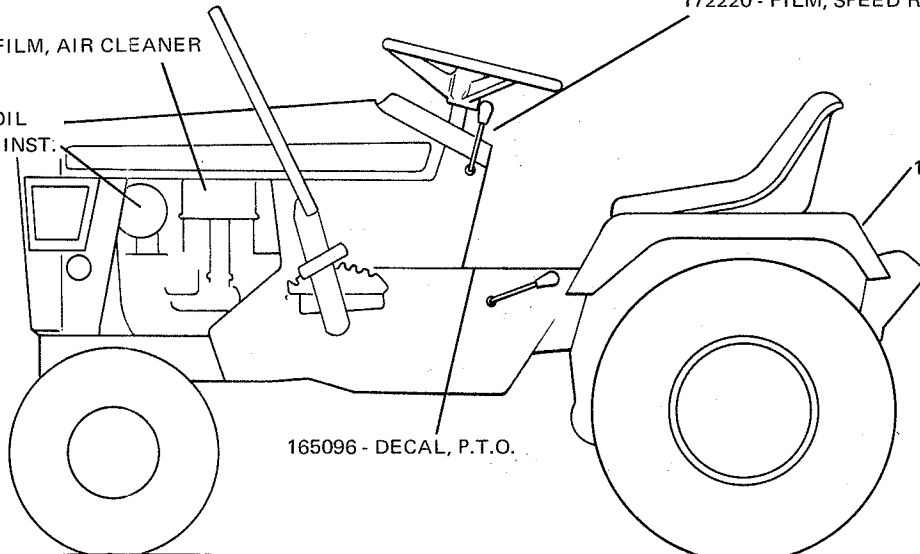
TOP VIEW

157131 - FILM, AIR CLEANER

172220 - FILM, SPEED RANGE HYDRO.

172707 - FILM, OIL  
LEVEL INST.

172140 - EMBLEM -  
SOVEREIGN



165096 - DECAL, P.T.O.

LEFT SIDE VIEW

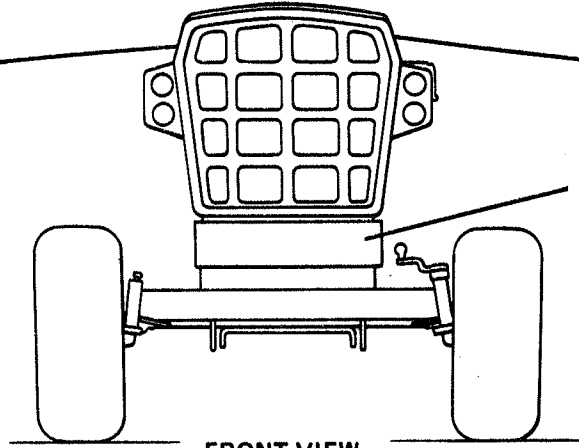
# DECALS-LANDLORD HYDROSTATIC DRIVE

172136 - FILM, SIMPLICITY &  
NUMBER 3310H, R.H.

172135 - FILM, SIMPLICITY &  
NUMBER, 3310H, L.H.

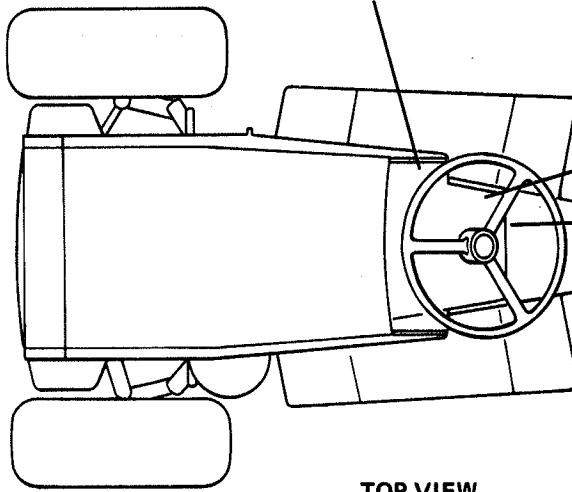
172816 - FILM, BRAKE  
172335 - PLATE, SAFETY  
166199 - ASSY. INSTRUCTIONS  
171506 - PLATE, SERIAL NO.

172137 - FILM, FRONT EMBLEM -  
LANDLORD



FRONT VIEW

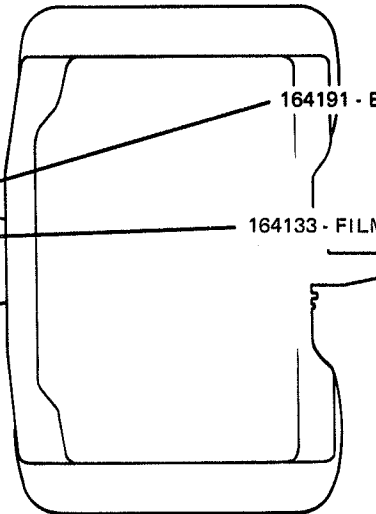
172192 - FILM, INSTRUMENT PANEL



TOP VIEW

164191 - BUTTON PLUG

164133 - FILM, IGNITION

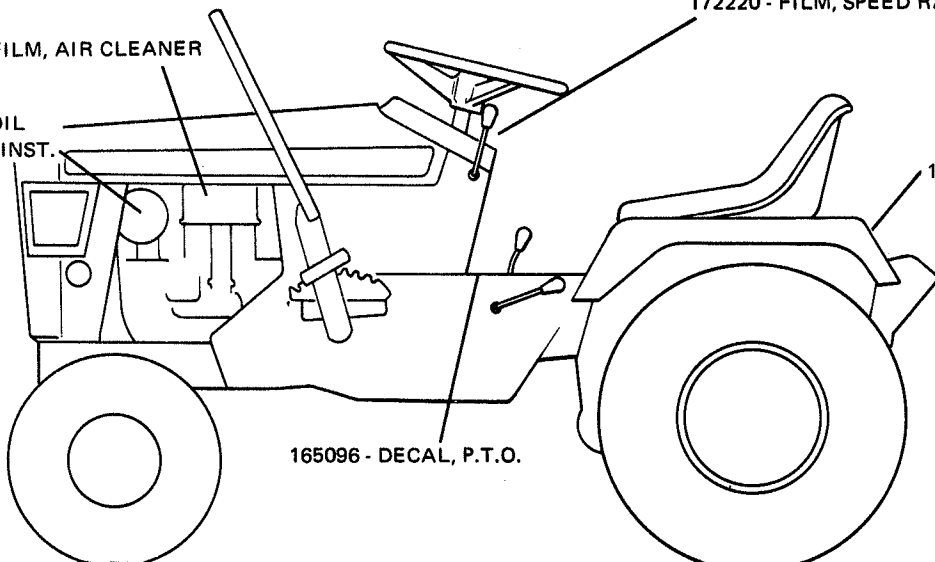


157131 - FILM, AIR CLEANER

172707 - FILM, OIL  
LEVEL INST.

172220 - FILM, SPEED RANGE HYDRO.

172138 - EMBLEM  
LANDLORD

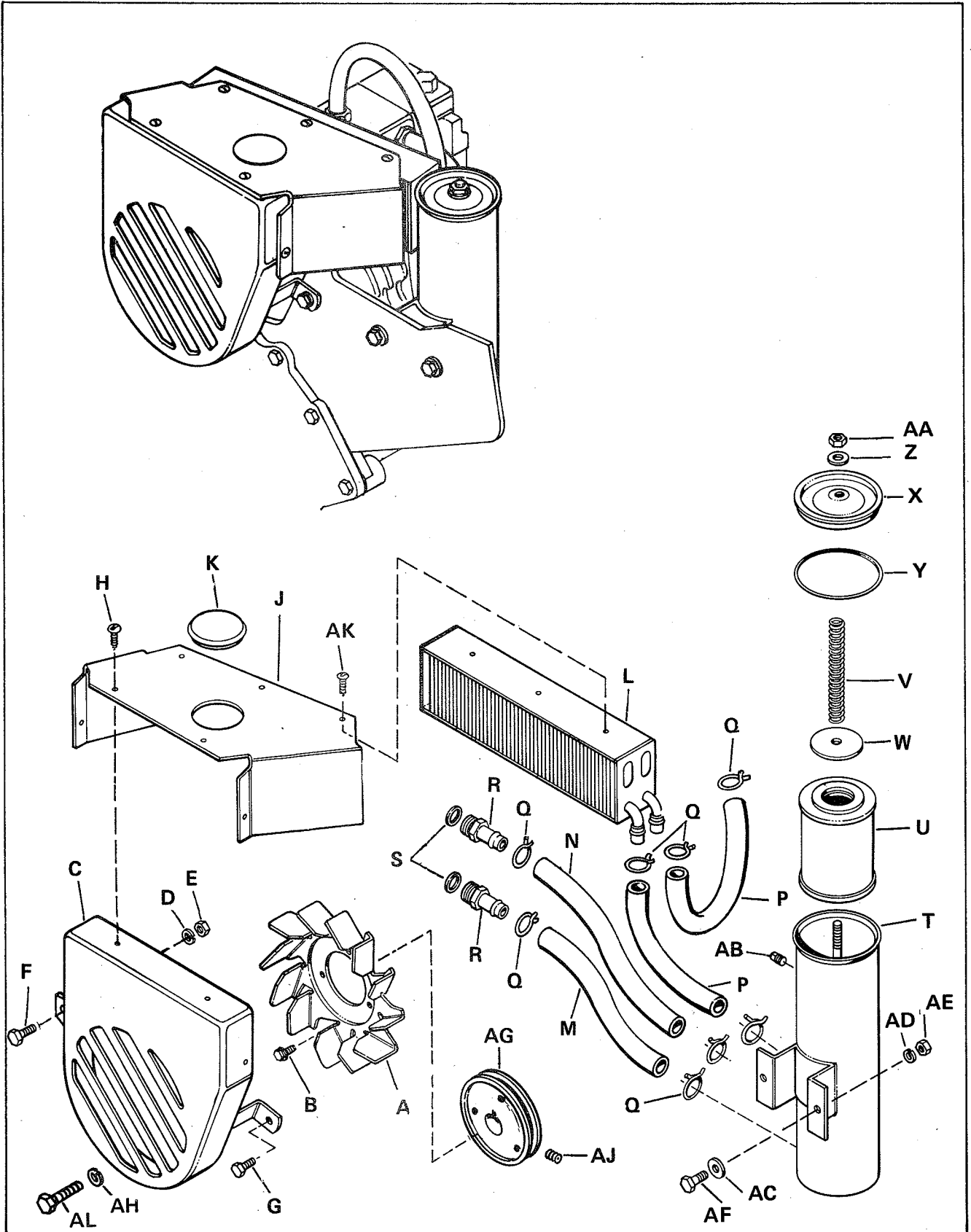


165096 - DECAL, P.T.O.

LEFT SIDE VIEW



# HYDROSTATIC COOLING GROUP

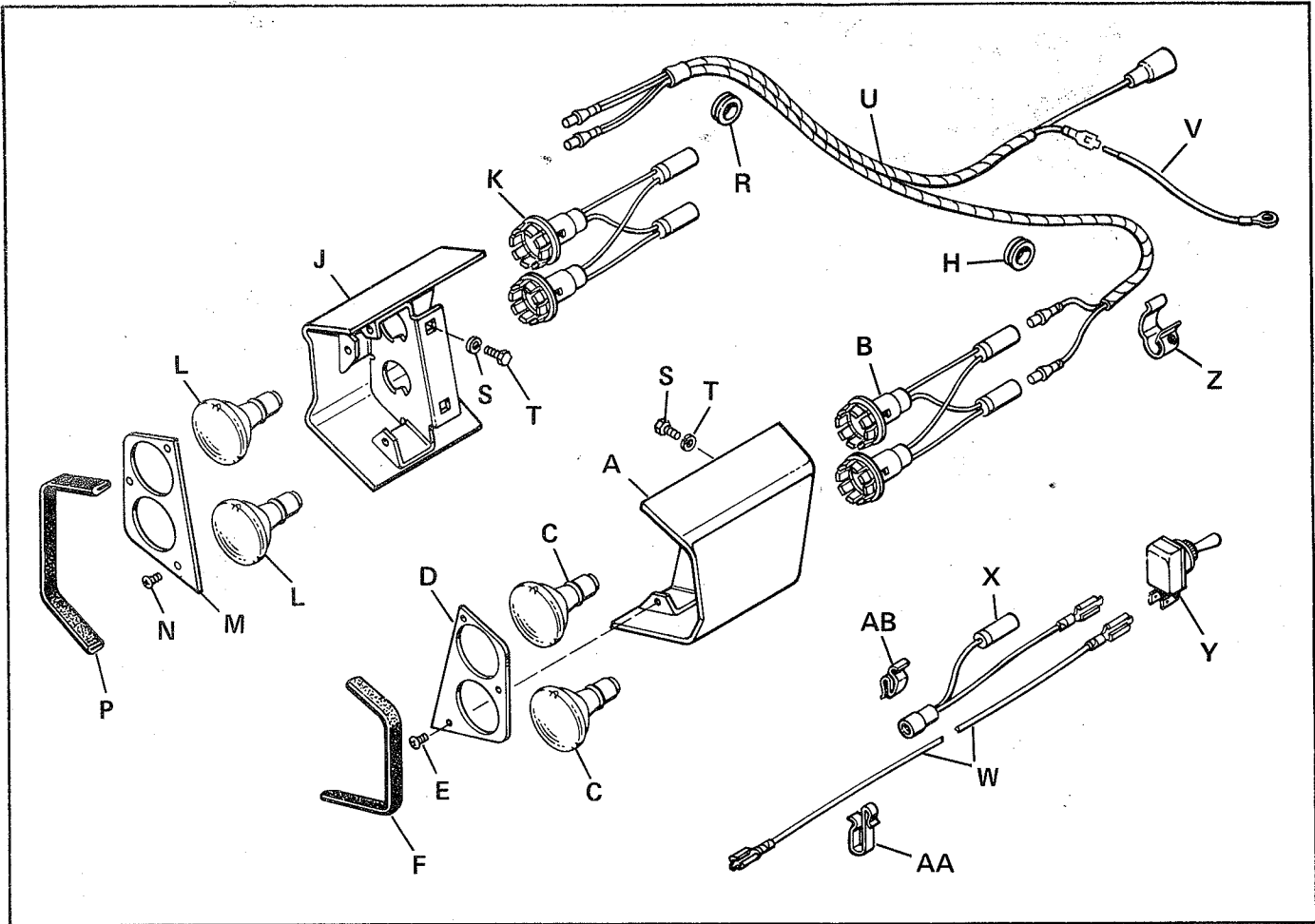


# HYDROSTATIC COOLING GROUP

Ref. Let.	Part No.	Description
A	166022	Pulley Fan
B	715090	Hex. Screw, Washer Hd.
C	166114	Fan Shroud Assy.
D	720002	Lock Washer
E	717001	Full Hex. Nut, 5/16"
F	705017	Hex. Capscrew, 5/16"-18 x 3/4"
G	714026	Hex. Screw, Thd.
H	714004	Self Tapping Screw, No. 10 x 3/8"
J	166134	Cooler Deflector
K	166165	Caplug
L	166135	Oil Cooler
M	166136	Hydraulic Hose
N	166137	Hydraulic Hose
P	166138	Hydraulic Hose
Q	166044	Hose Clamp
R	166139	Beaded Insert
S	166024	"O" Ring
T	166140	Reservoir Assy.
U	166147	Filter Element
V	166171	Spring
W	166150	Washer
X	166080	Reservoir Cover
Y	166020	"O" Ring
Z	166161	Nylon Washer
AA	717525	Elastic Stop Nut
AB	726253	Pipe Plug, 1/4"
AC	719002	Plain Washer, 5/16"
AD	720001	Lock Washer, 5/16"
AE	717001	Full Hex Nut, 5/16"-18"
AF	705017	Hex. Capscrew, 5/16"-18 x 3/4"
AG	166173	Driven Pulley
AH	720002	Lock Washer, 3/8"
AJ	713503	Cup Pt. Socket Hd. Set Screw, 5/16"-18 x 5/16"
AK	710002	Rd. Hd. Mach. Screw, No. 10-32 x 1/2"
AL	705031	Hex Cap Screw, 3/8"-16 x 2"



# FRONT LIGHT GROUP



Ref. Let.	Part No.	Description
A	172286	Shroud & Plate Assy. L.H.
B	172290	Lamp Socket & Wire Assy.
C	172048	Headlight
D	172243	Plate, Front
E	714019	Screw, Round Head Phillips Swageform No. 12-24 x 1/2"
F	172269	Moulding
*G	172156	Adhesive No. 1099, 3M
H	172276	Grommet
J	172285	Shroud & Plate Assy. R.H.
K	172290	Lamp Socket & Wire Assy.
L	172048	Headlight
M	172243	Plate, Front
N	714019	Screw, Round Head, Phillips Swageform No. 12-24 x 1/2"

Ref. Let.	Part No.	Description
P	172269	Moulding
*Q	172156	Adhesive, No. 1099, 3M
R	172276	Grommet.
S	705002	Hex Cap Screw, 1/4"-20 N.C. x 1/2"
T	720003	Lock Washer, 1/4" Std.
U	172294	Harness Assy.
V	172295	Wire Assy., Ground
W	172296	Wire Assy., Light Switch
X	172297	Wire Assy., Indicator Lamp
Y	122184	Switch, Toggle
Z	172436	Cable Clip Tinnerman, Front Frame
AA	172434	Cable Clip Tinnerman, Rear Frame
AB	172433	Cable Clip Tinnerman, Top of Grille

\*Not Illustrated