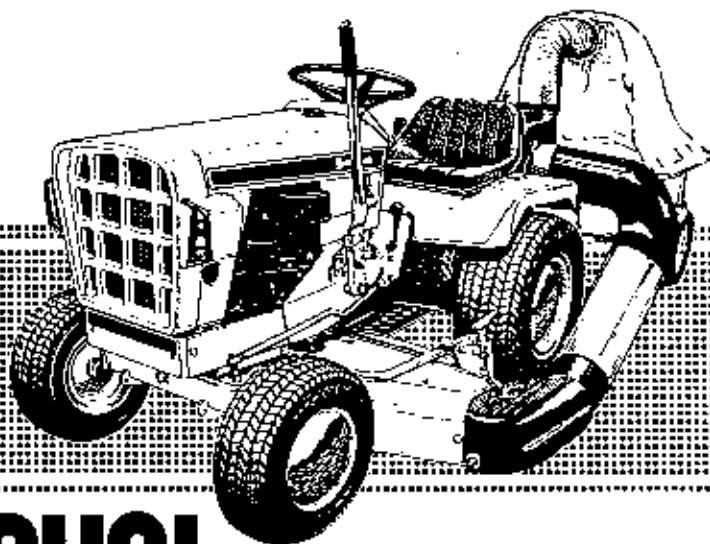


Simplicity®

SIMPLICITY MANUFACTURING COMPANY, INC.



OWNERS MANUAL

LANDLORD/SOVEREIGN/BARON

MFG. NO. 447	ROVING NOZZLE (OPTIONAL)
MFG. NO. 889	VACUUM COLLECTOR ADAPTER
MFG. NO. 890	VACUUM COLLECTOR ADAPTER
MFG. NO. 909	VACUUM COLLECTOR
MFG. NO. 1031	DUMP CART COVER

SEE FORM - 17/850
PRINTED IN U.S.A.

1363

PROTECT YOURSELF AND OTHERS

- Know the controls and how to stop quickly -- READ THE OWNER'S MANUAL.
 - Do not allow children or young teenagers to operate vehicle or adults to operate it without proper instruction.
 - Do not carry passengers. Keep children and pets a safe distance away.
 - Clear work area of objects which might be picked up and thrown.
 - Disengage all clutches and shift into neutral before starting engine.
 - Disengage power to implement (s) and stop engine before leaving operator position.
 - Disengage power to implement (s) and stop engine before making any repairs or adjustments.
 - Disengage power to implement (s) when transporting or not in use.
 - Take precautions, such as disengaging power take-off, lowering implements, shifting into neutral, setting parking brake, stopping engine and removing key when leaving vehicle unattended.
 - Don't stop or start suddenly when going uphill or downhill.
 - Reduce speed on slopes and in sharp turns to prevent tipping or loss of control.
 - Stay alert for holes in terrain and other hidden hazards.
 - Use care when pulling loads or using heavy equipment.
 - A. Use only approved drawbar hitch points.
 - B. Limit loads to those you can safely control.
 - C. Don't turn too sharp, and use care when backing.
 - D. Use counterweight (s) or wheel weights when suggested in owner's manual.
- Watch out for traffic when crossing or near roadways.
- When using any attachments, never direct discharge of material toward bystanders nor allow anyone near vehicle while in operation.
 - Handle gasoline with care -- it is highly flammable.
 - A. Use approved gasoline containers.
 - B. Never remove cap or add gasoline to a running or hot engine or fill fuel tank indoors. Wipe up spilled gasoline.
 - C. Replace gasoline cap securely.
 - D. Open doors if engine is run in garage -- exhaust gases are dangerous.
 - Keep vehicle and attachments in good operating condition and keep safety devices in place. Use guards as instructed in owner's manual.
 - Do not operate equipment when barefoot or wearing open sandals. Always wear substantial footwear.
 - Do not put hands or feet near or under rotating parts. Keep clear of discharge opening at all times.
 - Before cleaning, inspecting, adjusting, or repairing the tractor or any attachments stop the engine, remove the ignition key (electric start models) and be sure all blades and other moving parts have stopped.
 - Stop blade (s) when crossing gravel drive, walks or roads.
 - After striking a foreign object stop the mower and remove the ignition key. Thoroughly inspect the mower for any damage, and repair the damage before restarting and operating the mower.
 - If your equipment should start to vibrate abnormally, stop the engine and check immediately for the cause. Vibration is generally a warning of trouble.
 - Do not run the engine indoors.
 - Look to be sure that children are not behind the tractor, before backing up.
 - When mowing with a tractor mounted mower, mow up-and-down on slopes, never across or horizontally. To prevent the danger of overturning, exercise extreme caution when stopping, starting or changing direction.
 - Check blade and engine mounting bolts for proper tightness at frequent intervals.
 - Keep all nuts, bolts, and screws tight to be sure equipment is in safe working condition.
 - Never store equipment with gasoline in the tank inside of a building where fumes may reach an open flame or spark. Allow engine to cool before storing in any enclosure.
 - To reduce fire hazard keep engine free of grass, leaves or excessive grease.
 - Never operate any attachment without all guards, deflectors, and other protective covering in place.
 - Keep the area of operation clear of all persons, particularly small children, and pets.
 - Check fuel before starting engine. Do not fill gasoline tank when engine is running or while engine is still hot. Wipe off any spilled gasoline before starting engine. Do not smoke when fueling engine or around open gasoline containers.
 - Mow only in daylight or in good artificial light.
 - Do not change engine governor, settings or overspeed engine.

Table of Contents

	PAGE
PROTECTIVE HINTS	Inside Cover
WARRANTY	3
PACKING	4
ASSEMBLY	4-5
COLLECTOR & BLOWER HOUSING	6
PARTS LIST	7
ADAPTERS	8
ROVING NOZZLE	9-11
ROVING NOZZLE (Dwg. & Parts List)	12
DUMP CART COVER	13-14
DUMP CART COVER (Dwg. & Parts List)	15

SIMPLICITY'S NEW EQUIPMENT WARRANTY

The Company warrants Simplicity products to be free from defects in material and workmanship, except the Company makes no warranty, express or implied, with respect to tires, engines, generators and voltage regulators, which are warranted by their respective manufacturers. Any part covered by this warranty which is proven defective within one year (45 days for equipment used for rental, municipal or commercial purposes) under normal use, from date of purchase, will be replaced without charge, provided such part is returned to the factory, (if requested), and is found to be defective upon examination at the factory. This warranty does not apply to any Simplicity products altered outside of the Simplicity factory. THE FOREGOING WARRANTY IS IN LIEU OF ALL OTHER WARRANTIES, EXPRESS OR IMPLIED, OF MERCHANTABILITY, FITNESS FOR A PARTICULAR PURPOSE, PERFORMANCE, OR OTHERWISE. The Company's obligation under its warranty is strictly and exclusively limited to the replacement of such parts, and in no event shall the Company be liable for any other damages, whether direct, immediate, incidental, special, or consequential. Simplicity Manufacturing Company, Inc., reserves the right to modify or change specifications without prior notification. There are no warranties which extend beyond the description of any Simplicity product.

LANDLORD AND SOVEREIGN VACUUM COLLECTOR (MFG. NO. 909)

PACKING

The Vacuum Collector is delivered complete in two cartons.
The long carton contains:

- 1 - Hose (Exhaust)

The short carton contains:

- 1 - Intake Tube
- 1 - Blower Assembly
- 1 - Deflector
- 2 - Hose Clamps
- 1 - Elbow Assembly
- 1 - Pack of Hardware

Should any shortages of the above items occur, advise by stating the packers number listed on the packing slip, part number and description of items missing.

ASSEMBLY

1. The blower unit comes fully assembled. Attach support to tractor with two pins and spring clips (Figure 1).

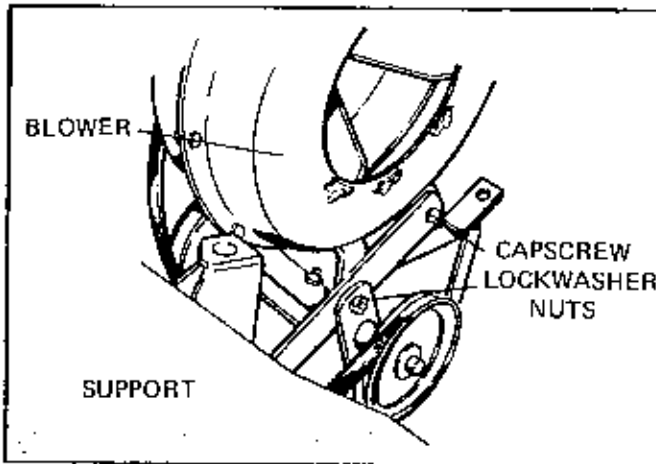


FIGURE 1

2. Install carriage bolts, hex nuts, spacer, and flat washer as illustrated in Figure 2.

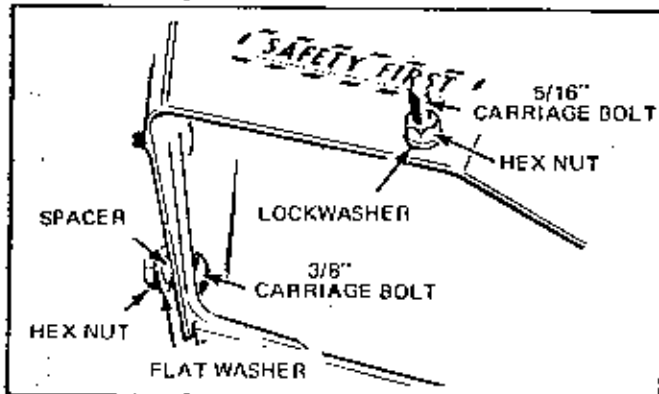


FIGURE 2

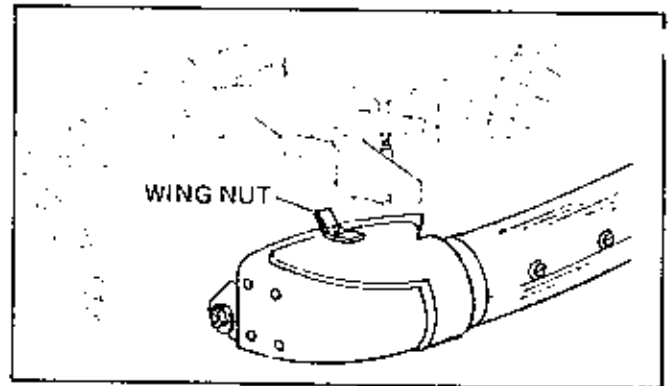


FIGURE 3

3. Attach vacuum collector adapter to mower exhaust by hooking adapter between spacer and flat washer (Figure 2) and inserting upper carriage bolt through adapter hole. Tighten hex and wing nuts (Figure 3).

4. Be sure intake tube ends are secured together with nine groups of attaching parts consisting of a Phillips head screw, two flat washers, a lockwasher, and a hex nut each. The end of the intake tube going over the adapter should have the Phillips head screw going through the tube from the inside of the tube. The remainder of the screws are to be installed from the outside of the tube.

5. Install one end of intake tube over adapter and insert other end into elbow assembly.

6. Install elbow assembly flange on blower and secure flange to blower with two clamp bars, wing nuts, and hex nuts. Secure flange to elbow tube with hose clamp, machine screw, lockwasher and nut (Figure 4). Be sure to tighten hose clamp.

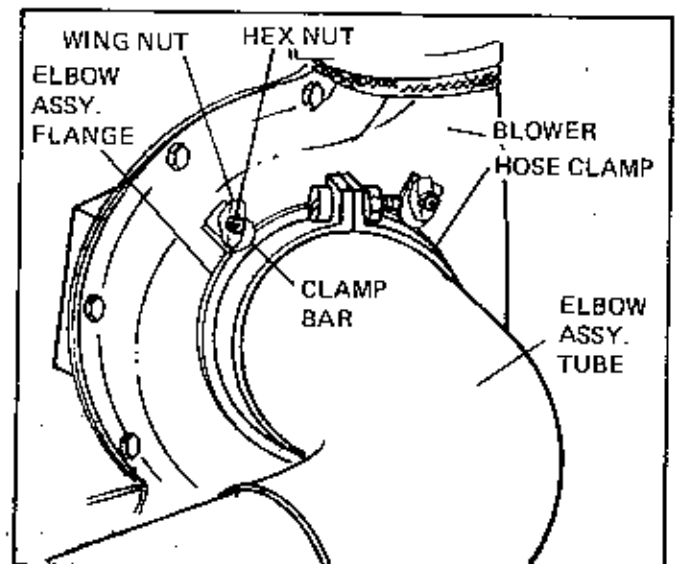


FIGURE 4

7. Install deflector in exhaust hole at the top of the blower housing on outside of blower outlet with self-tapping screws.
8. Place the pulley on the shaft of the bevel gear housing. The new pulley will be secured outboard of the P.T.O. pulley with the key and set screw provided. (Figure 5) Tractor

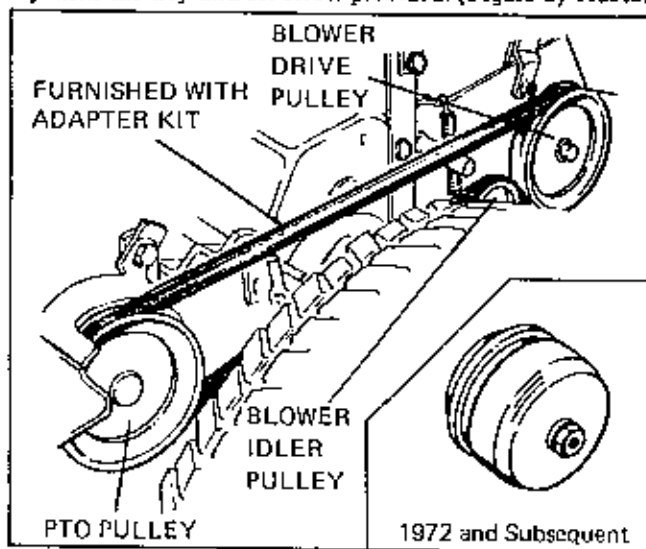


FIGURE 5

models 1972 and subsequent have pulley already installed as part of a double pulley assembly (See Figure 5 insert).

9. Place "V" belt (furnished with adapter kit) around the P.T.O. pulley. Run other end around the drive pulley and idler pulley which are mounted on the frame at blower. The spring on the idler pulley will automatically adjust belt tension. (Figure 5)

10. Remove the pulley guard on the upper right side of the blower assembly and position the blower drive belt over the pulleys as shown (Figure 6). Adjust the belt tension as required. A space of approximately 3/4" should be between the set collar and guide bracket when engaged (Figure 6). Replace the pulley guard (Figure 7).

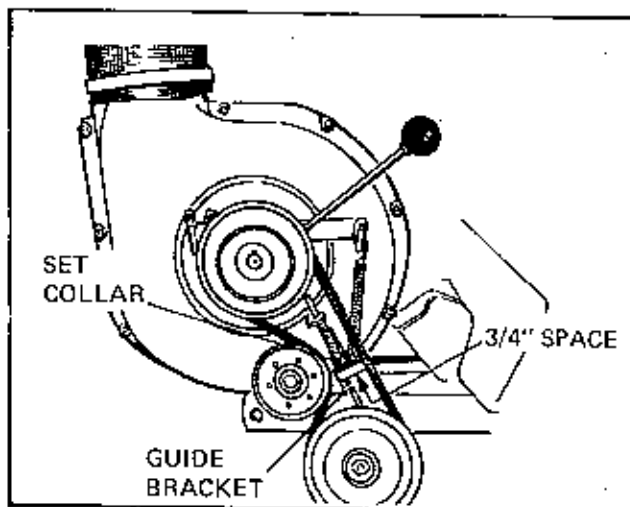


FIGURE 6

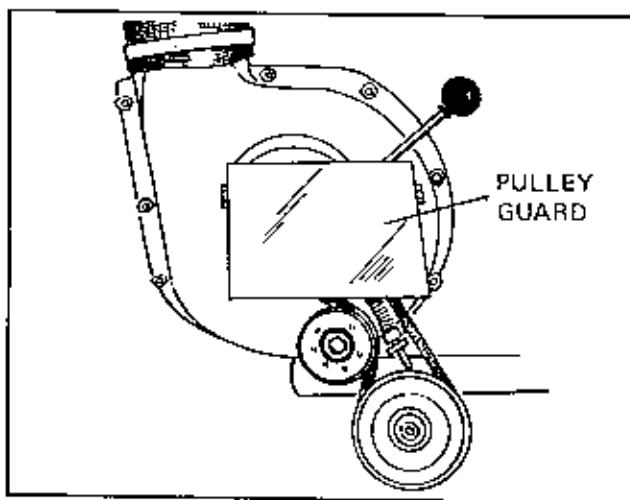


FIGURE 7

COLLECTOR & BLOWER HOUSING MFG. NO. 909

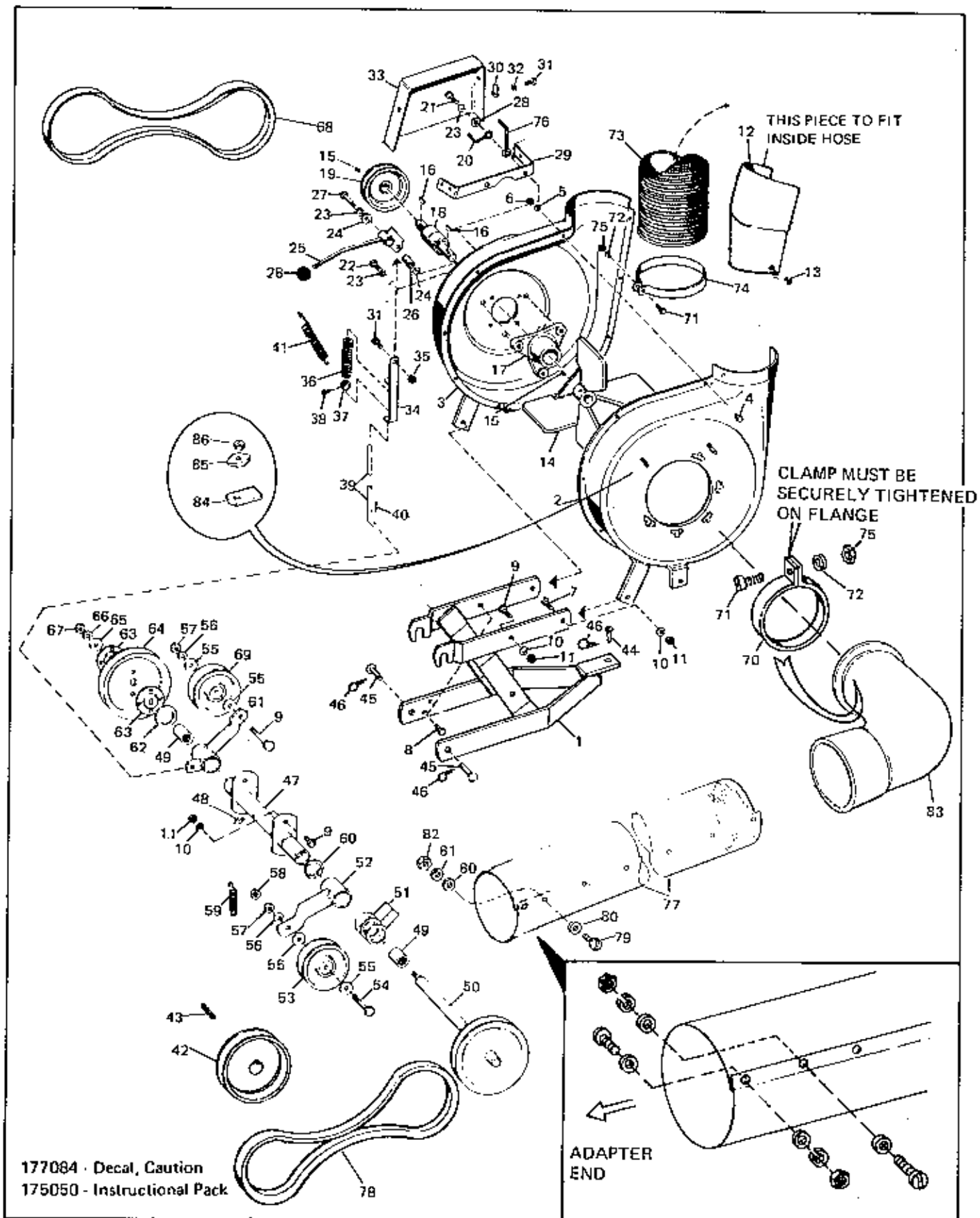


FIGURE 8

COLLECTOR & BLOWER HOUSING

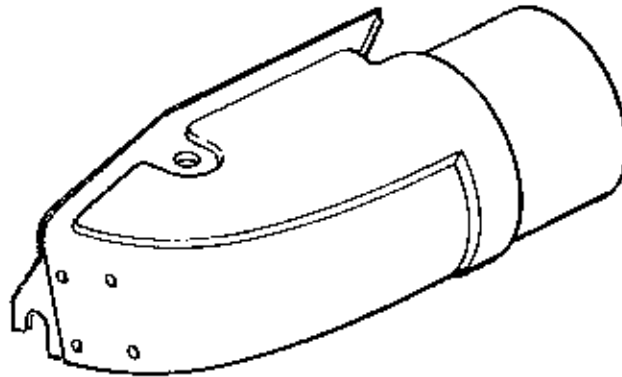
MFG. NO. 909

Ref. No.	Part No.	Qty. Req.	Description	Ref. No.	Part No.	Qty. Req.	Description
1	123001	1	Blower Housing Support Assy.	45	155037	2	Pin
2	177268	1	Housing Assy. Inlet Half	46	8161045	3	Spring Clip
3	123012	1	Housing Assy. R.H. Half	47	164192	1	Bearing Housing Assy.
4	705002	9	Hex Capscrew, 1/4-20 x 1/2	48	727002	1	Grease Fitting
5	720003	9	Lockwasher, 1/4	49	154258	2	Needle Bearing
6	717005	9	Hex Nut Full, 1/4-20	50	164200	1	Transverse Shaft Assy.
7	705005	2	Hex Capscrew, 3/8-16 x 1	51	8141003	3	Washer
8	705016	1	Hex Capscrew, 3/8-16 x 1-1/4	52	164199	1	Tension Arm Assembly
9	705009	2	Hex Capscrew, 3/8-16 x 1-1/2	53	108386	1	Idler Pulley
10	720002	4	Lockwasher, 3/8	54	705006	1	Hex Capscrew, 3/8-16 x 2
11	717003	4	Hex Nut Full, 3/8-16	55	719001	4	Plain Washer, 3/8
12	123107	1	Deflector	56	720002	2	Lockwasher, 3/8
13	714014	2	Self-Tapping Screw, No. 10x3/8	57	717003	1	Hex Nut Full, 3/8-16
14	123015	1	Fan Assembly	58	717510	1	Hex Nut Full Lock, 3/8-16
15	713006	1	Set Screw Sq. Hd. 5/16-18x1/2	59	159159	1	Spring, Tension
16	725504	2	Key Hi-Pro	60	164204	1	Retaining Ring
17	123087	1	Flange, Shaft & Bearing Assy.	61	164195	1	Idler Arm Assembly
18	123019	1	Shaft and Bearing	62	8141003	1	Washer
19	106663	1	Pulley	63	158196	2	Special Washer
20	172845	1	Belt Stop	64	158195	1	Pulley
21	705005	1	Hex Capscrew, 3/8-16 x 1	65	719003	1	Plain Washer
22	705005	1	Hex Capscrew 3/8-16 x 1	66	720006	1	Lockwasher
23	720002	2	Lockwasher, 3/8	67	717022	1	Hex Nut Full, 7/16-14
24	719002	2	Plain Washer	68	161098	1	"V" Belt P.T.O.
25	123082	1	Clutch Lever Assembly	69	106716	1	Pulley, Idler
26	123027	1	Spacer, Clutch Lever	70	123065	1	Hose Clamp
27	705006	1	Hex Capscrew, 3/8-16 x 2	71	715069	2	Machine Screw Rd. Hd., 1/4-20 x 3
28	106567	1	Knob	72	720003	2	Lockwasher, 1/4
29	164205	1	Bracket, Belt Guard	73	174264	1	Hose Exhaust (6" Dia.)
30	718030	2	Nut Retainer	74	123067	1	Hose Clamp
31	705012	3	Hex Capscrew, 5/16-18 x 5/8	75	717005	2	Hex Nut Full, 1/4-20
32	720001	2	Lockwasher, 5/16	76	163065	1	Belt Stop
33	164206	1	Belt Guard	77	177270	1	Intake Tube
34	123076	1	Rod Guide Assembly	78	108505	1	"V" Belt
35	717511	1	Hex Nut Full, 5/16-18	79	711003	9	Truss Hd. Phillips Screw
36	8191045	1	Spring	80	719007	18	Washer, 3/16
37	8191022	1	Set Collar	81	721507	9	Lockwasher No. 10
38	713001	1	Set Screw Sq. Hd. 1/4-20x3/8	82	717007	9	Hex Nut Full, No. 10-32
39	164203	1	Clutch Rod-Blower	83	177334	1	Elbow Assembly
40	722001	1	Cotter Pin, 3/32 x 3/4	84	177271	2	Clamp Bar
41	121037	1	Spring	85	108848	2	Wing Nut
42	164202	1	Pulley	86	717530	2	Hex Nut Full, Jam, 5/16-18
43	8061081	1	Key				
44	118053	1	Pin				

Adapter Kit

Mfr's. No. 890

**FOR 48" ROTARY MOWER
LANDLORD & SOVEREIGN**

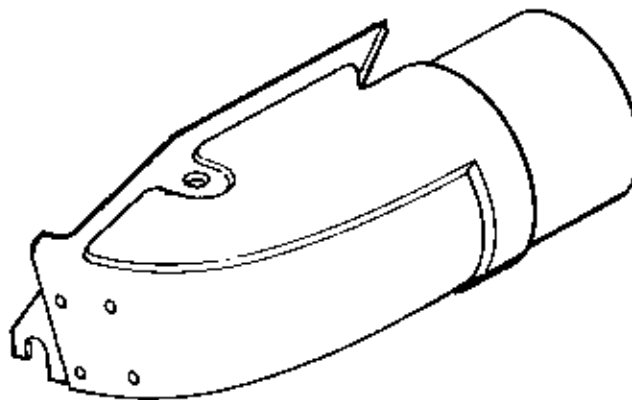


ORDER PART NO. 177045

Adapter Kit

Mfr's. No. 889

**FOR 42" ROTARY MOWER
LANDLORD & SOVEREIGN**



ORDER PART NO. 177047

FIGURE 9

ROVING VACUUM NOZZLE MFG. NO. 447

The nozzle attaches to the blower inlet in place of the hose from the mower. For storage, a carrier is provided for installation on the front of the dump cart.

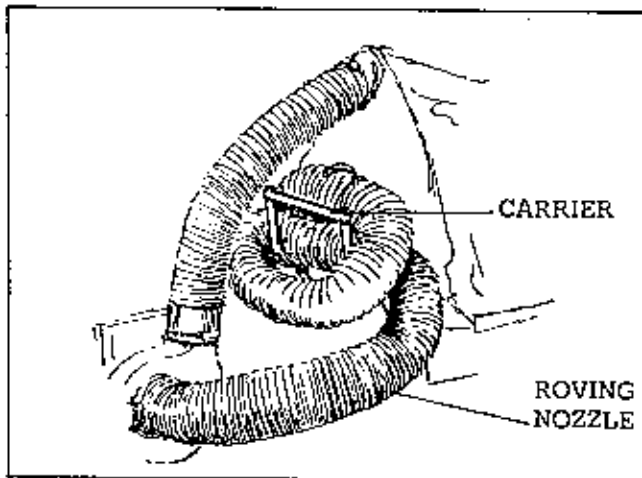


FIGURE 10

ASSEMBLY

1. Install the mounting flange and clamp on the plain end of the hose. Tighten the clamp screw securely. (Figure 11).
2. Install the hose handle clamps the desired distance from the pickup end of the hose and attach the handle (Figure 12)
3. Attach the flanged end of the roving nozzle to the blower housing, seating the flange fully in the notches. (See Figure 11).

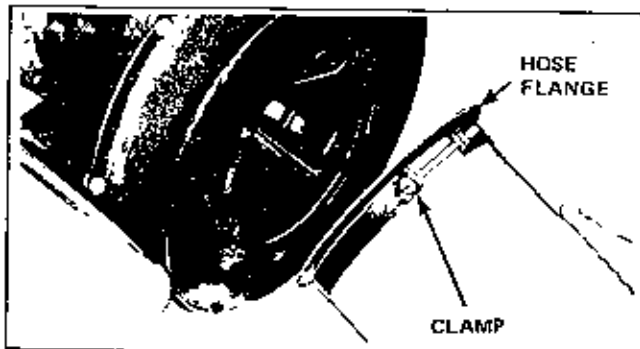


FIGURE 11

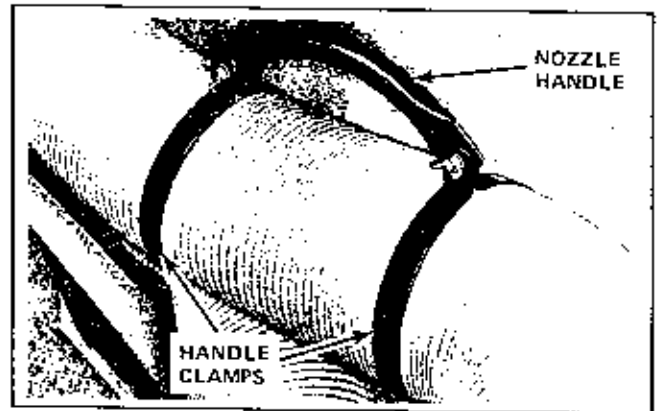


FIGURE 12

4. The storage rack is assembled and hung onto the front of the cart as shown. No hardware for mounting is required. (See Figure 13).

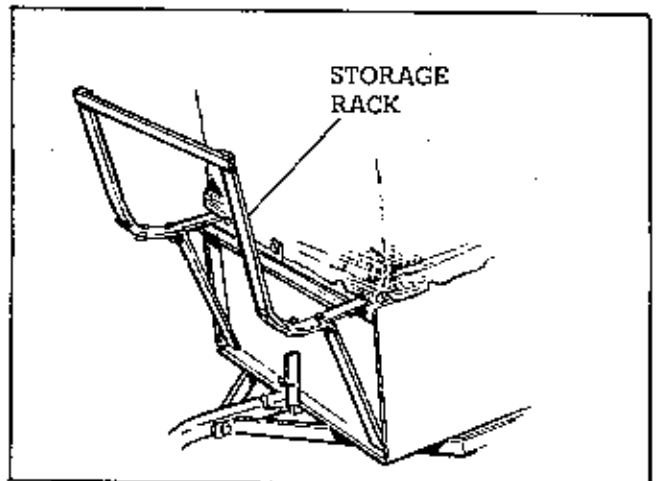


FIGURE 13

DISENGAGING MOWER DRIVE BELT

Use of the roving nozzle and vacuum collector on 1972 Landlord and Sovereign tractors requires that the mower blades DO NOT rotate when using the roving nozzle. To aid in disengaging mower drive belt and maintaining mower drive belt on idler pulley, a belt stop and spacer should be installed. Perform the following procedure if the tractor I.D. number is lower than those listed below. If numbers are higher, disregard procedure.

MFG. NO.	DESCRIPTION	I.D. NO.
755	Landlord 3410 (3 Speed)	2419
756	Landlord 3410S	2658
757	Landlord 3410H	1491
758	Sovereign 3415S	2813
759	Sovereign 3415H	2955

1. Shut off tractor engine, remove key, disengage power take-off and set parking brake.
2. Push down on mower drive belt tension lever (Figure 14) and remove mower drive belt (Figure 15) from mower drive, idler, and power take-off pulleys. Note direction belt is twisted on mower drive pulley.
3. Remove nut (Figure 15), lockwasher, flat washers, and idler pulley from capscrew on idler arm assembly.
4. Install spacer (Figure 15), belt stop, flat washers, idler pulley, lockwasher, and nut on idler arm capscrew. Do not tighten nut.

5. Install mower drive belt on drive idler, and inside groove of power take-off pulleys (Figure 15). Twist belt in same direction as removed.
6. Push forward on mower drive belt tension lever (Figure 14) and lock it in position. This applies tension to belt.
7. Set belt stop (Figure 15) so that dimension from rear edge of stop is 4-3/8" from bolt securing V-groove idler pulley. Tighten idler pulley nut.
8. Check mower for proper front-to-rear adjustment (Figure 16).
9. Start tractor engine and run at 3/4 speed. Engage mower power take-off by pushing power take-off control handle forward. Mower blades and vacuum collector belt should be operational.
10. Maintaining power take-off control handle in engaged position, push down on belt tension lever (Figure 14). Mower blades should stop rotating and vacuum collector belt continue.

NOTE: If 42" mower drive belt continues to rotate, replace with a new, longer belt (176439).

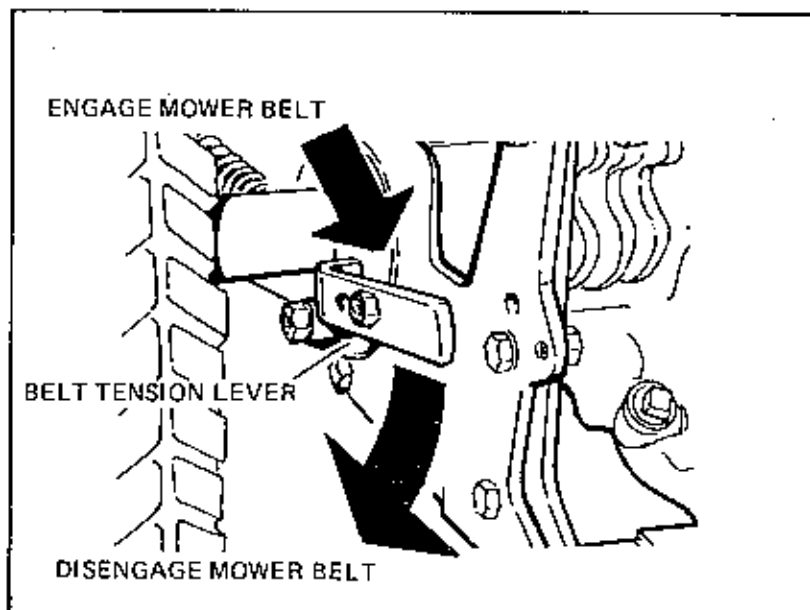


FIGURE 14

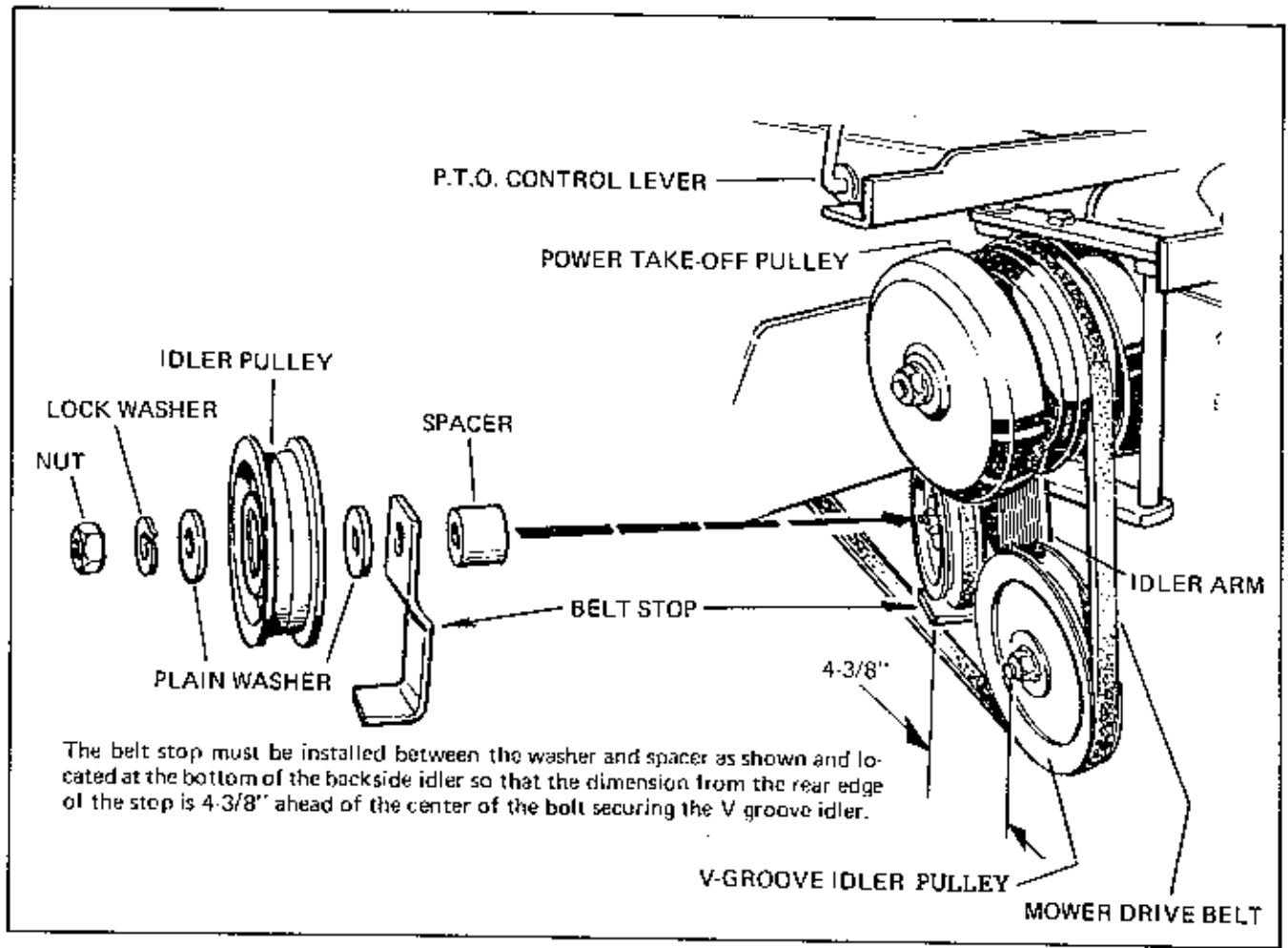


FIGURE 15

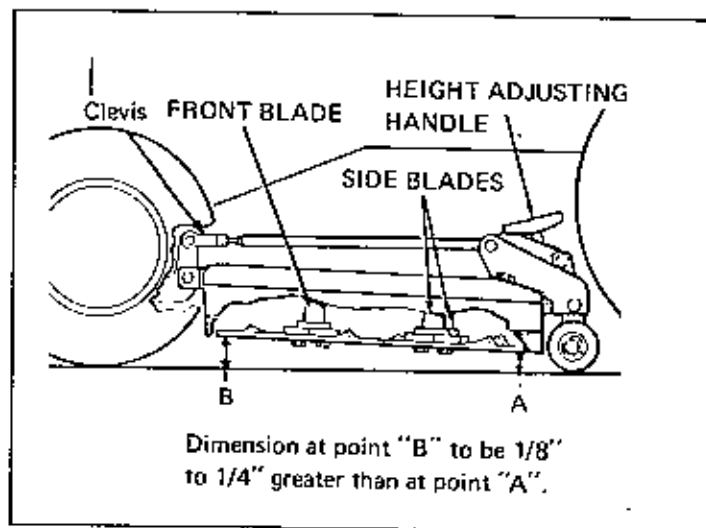


FIGURE 16

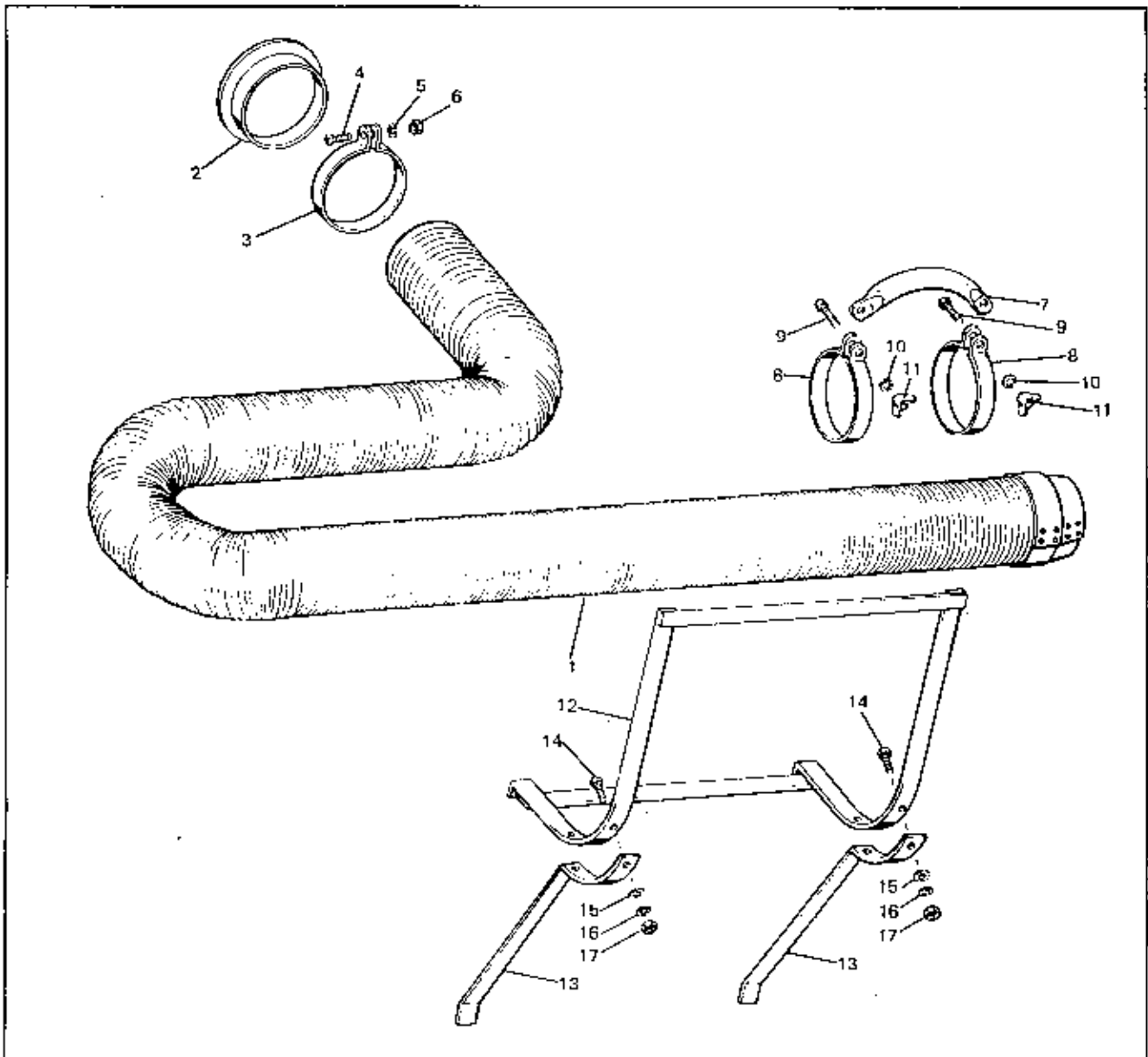


FIGURE 17

Ref. No.	Part No.	Qty. Req.	Description
1	123127	1	Hose Assembly
2	123111	1	Hose Flange
3	123065	1	Hose Clamp
4	715069	1	R.H. Screw 1/4-20 x 3
5	720003	1	Lock Washer 1/4"
6	717005	1	Hex Nut Full, 1/4-20
7	123129	1	Hose Handle
8	123128	2	Hose Clamp Handle
9	705017	2	Hex Capscrew, 5/16-18 x 3/4
10	720001	2	Lock Washer 5/16
11	718006	2	Wing Nut, 5/16-18
12	123122	1	Hose Carrier Assy.
13	123125	2	Carrier Support
14	705001	4	Hex Capscrew, 5/16-18x7/8
15	719002	2	Plain Washer, 5/16
16	720001	4	Lock Washer, 5/16
17	717001	4	Hex Nut Full, 5/16-18

MFG. NO. 1031 DUMP CART COVER INSTALLATION

1. Insert each bail through slotted hole in lever and center the lever on the bail (Figure 18).

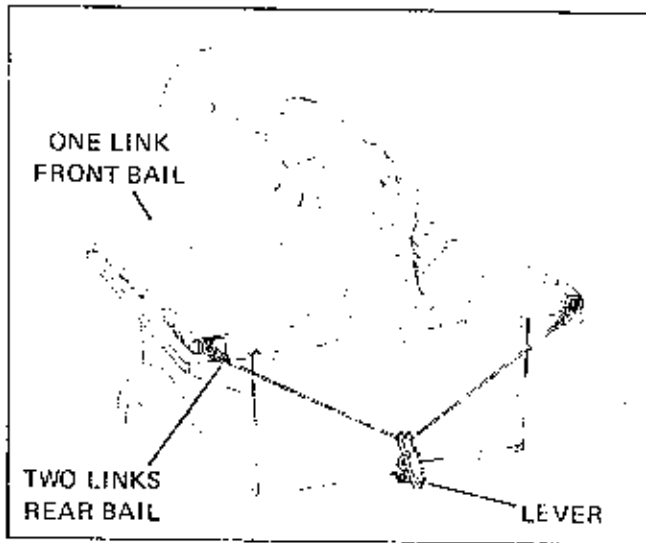


FIGURE 18

2. Attach one link to each end of one bail and two links to each end of other bail (Figure 18). The bail with two links each will be placed later at rear of cart and the bail with one link each at the front.
3. Insert side and end reinforcing bars in cart cover with side bar bends pointing inward
4. Align reinforcing bar holes and flat washer. From inside, insert pin through holes and secure bars and washer with a hex nut (Figure 19). Repeat procedure for all four corners.

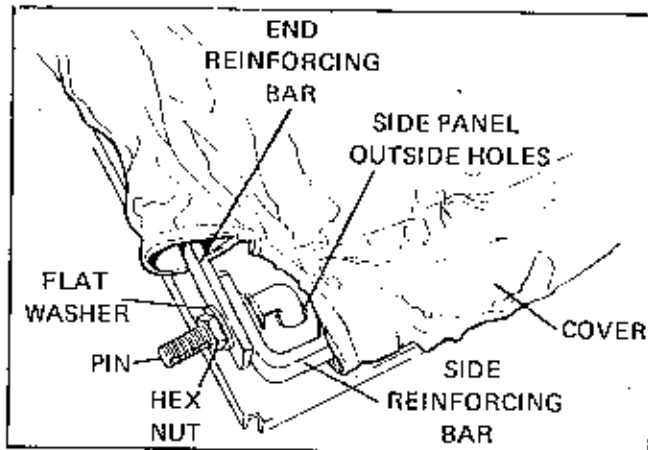


FIGURE 19

5. Hang two side panels on outer sides of cart.
6. Secure belt stop to inside front of side panel with two flat washers (one above and one below side panel), special washer, 3/4 inch long capscrew, and locknut (Figure 20). Position belt stop at angle illustrated. Repeat procedure for remaining front corner.

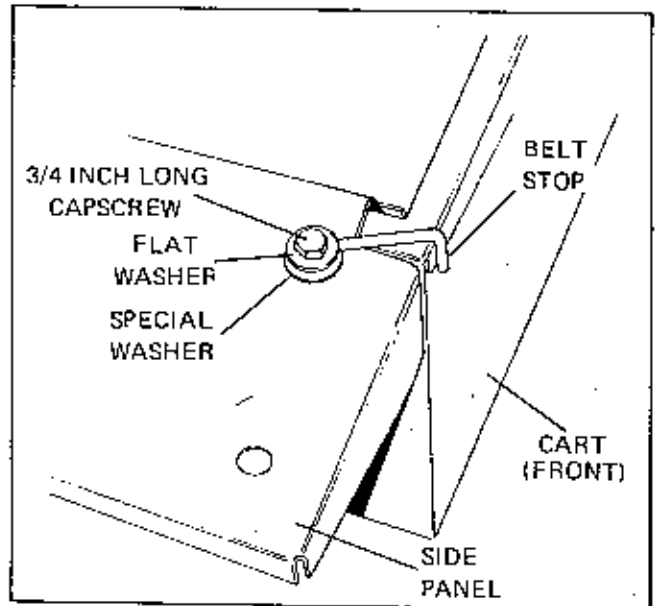


FIGURE 20

7. Secure bracket to inside rear of side panel with two special washers (above side panel), a flat washer (under side panel), a 3/4 inch long capscrew, and locknut (Figure 21). Position side panel bracket at angle illustrated. Repeat procedure for remaining rear corner.

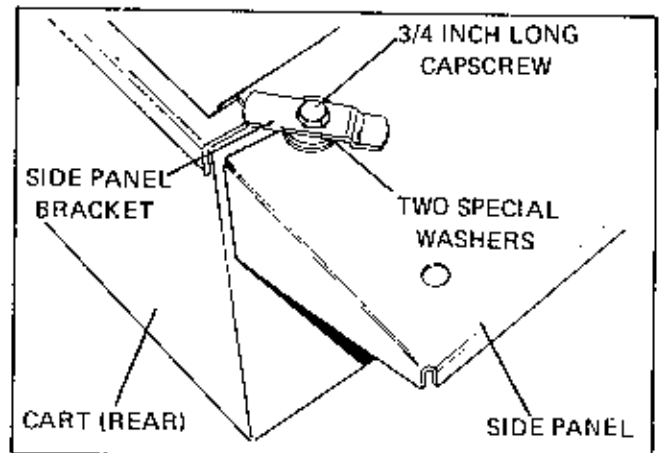


FIGURE 21

8. Lay cover assembly on cart with canvas side flaps inside and cover nozzle toward cart drawbar. Be sure pins are inserted completely into side panel outside holes (Figure 19).
9. Secure bracket to front of cart with 1-1/4 inch long capscrew (Figure 23).
10. Secure the loose link of rear bail and link assembly (two links on each end of bail) to rear pins with two flat washers and locknuts. Repeat same procedure for front bail and link assembly (one link on each end of bail).
11. Insert rear latch rod through lever holes and secure it with a cotter pin (Figure 22). Install locknut, latch, and locknut on latch rod. With lever in closed position, adjust latch until it is securely hooked under cart. Repeat procedure for front side with latch tight under bracket (Figure 23).

12. Insert hose in cover nozzle at least 12 inches and tighten cover nozzle around hose with belt (Figure 24).

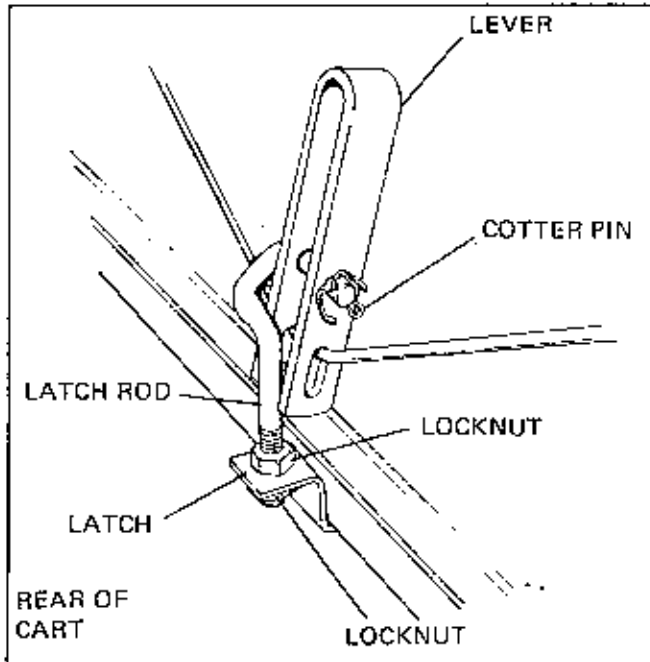


FIGURE 22

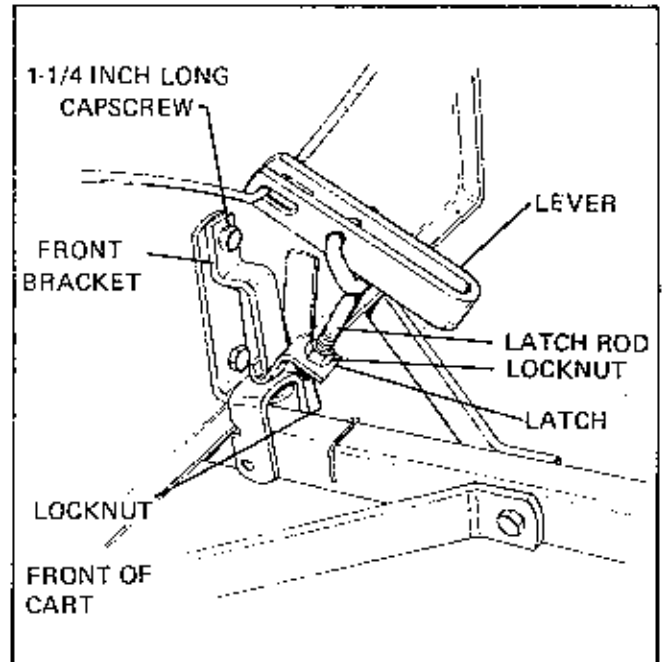


FIGURE 23

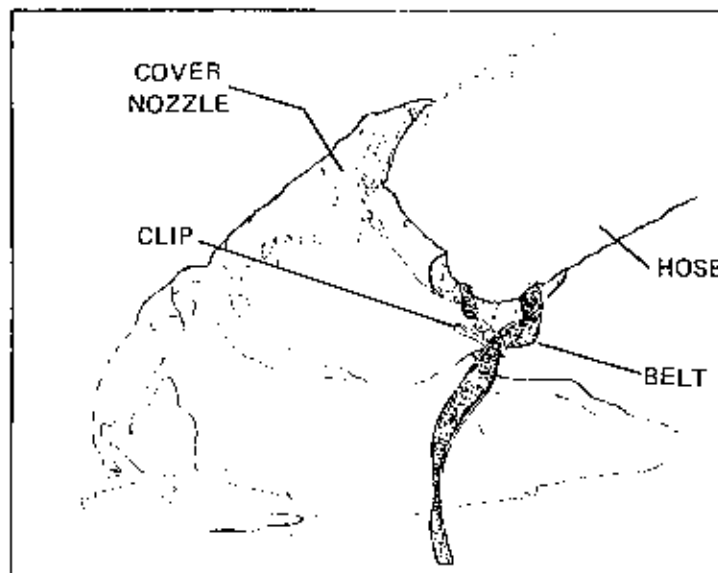
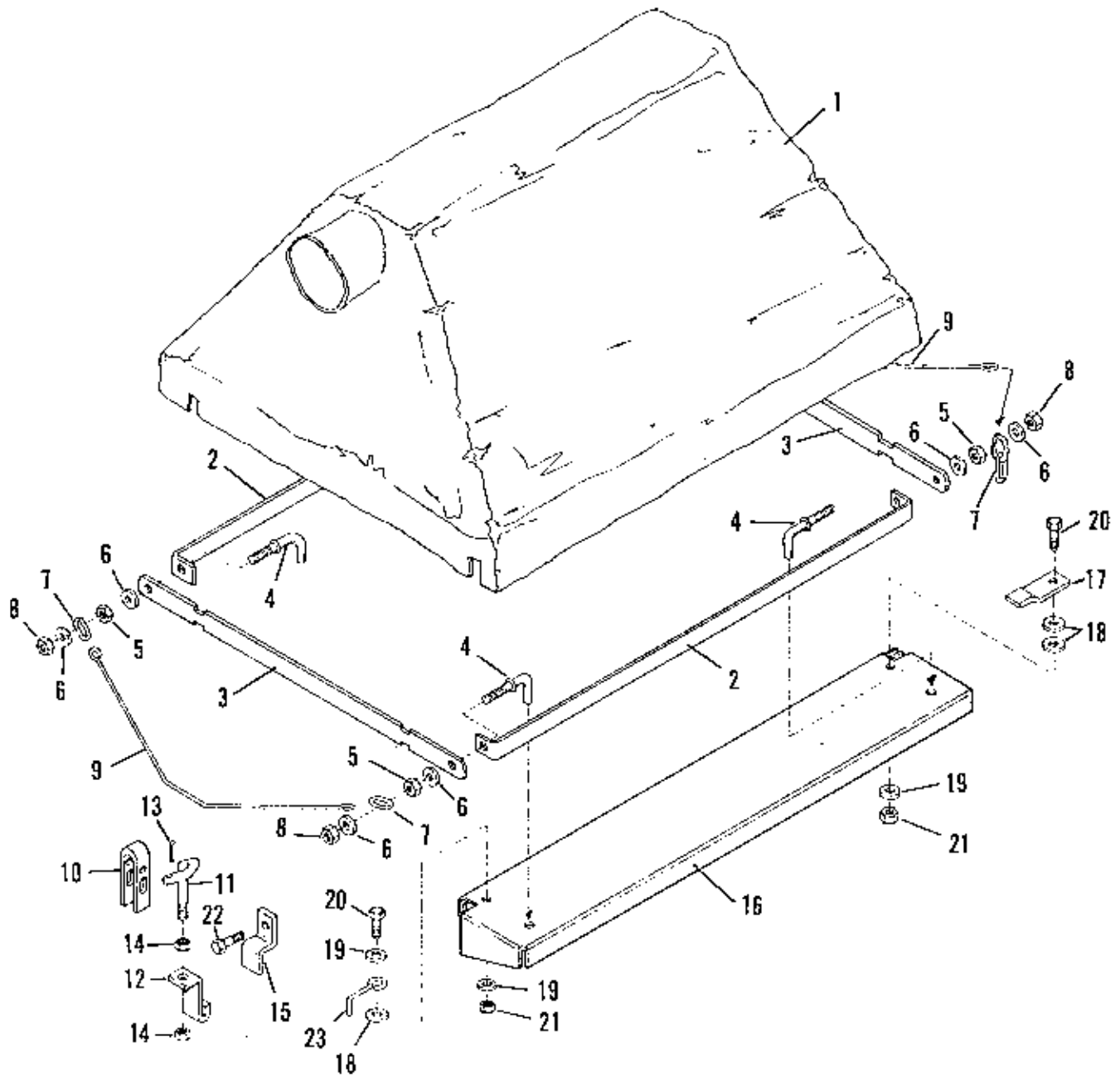


FIGURE 24

NOTE:
Refer to Figure 25 for dump cart cover parts list.

DUMP CART COVER MFG. NO. 1031



Ref. No.	Part No.	Qty. Req.	Description	Ref. No.	Part No.	Qty. Req.	Description
1	177917	1	Cart Cover	12	170000	2	Latch
2	178191	2	Side Bar Reinf.	13	722006	2	Cotter Pin
3	178192	2	End Bar Reinf.	14	717510	4	Hex Nut Centerlock
4	178189	4	Pin	*15	178190	1	Bracket
5	717003	4	Hex Nut, 3/8-16	16	178187	2	Side Panel
6	719001	8	Flat Washer, 3/8	17	178198	2	Bracket
7	170134	6	Link	18	159134	6	Washer, Special
8	717510	4	Hex Nut, Centerlock	19	719002	6	Plain Washer, 5/16
9	178188	2	Bail	20	705017	4	Hex Capscrew, 5/16-18 x 3/4
10	170002	2	Lever	21	717511	4	Hex Locknut, 5/16-18
11	170001	2	Rod Latch	22	705016	1	Hex Capscrew, 3/8-16 x 1-1/4
				23	163065	2	Belt Stop

* Attached to Front of Dump Cart

FIGURE 25

THE UNIVERSITY OF CHICAGO
LIBRARY

1944