

8/17/67

LEAF MULCHER Mfr's. No. 450 for 36" Rotary Mower

INSTRUCTIONS FOR ASSEMBLING

The leaf mulcher for the 36" Rotary Mower consists of baffles which must be attached to the housing as illustrated in Figure 1.

1. The front baffle (A) is positioned on the inside front of the housing and is secured by four carriage bolts (E).
2. The side baffle (B) which closes off the grass exhaust port, and the other three baffle sections (C) and (D) are fastened into place as shown with the bolts provided.
3. Rotate the blades to check for proper clearance between the blades and the baffle flanges.

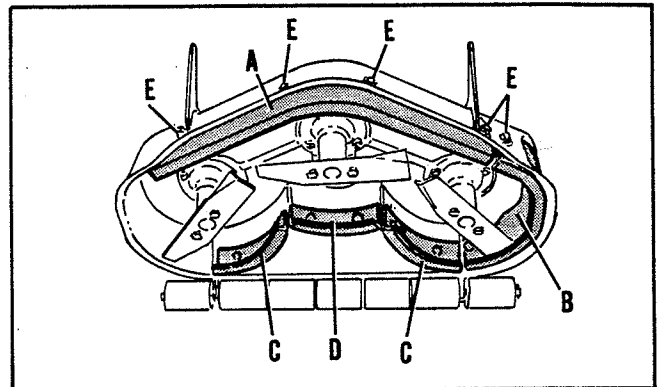
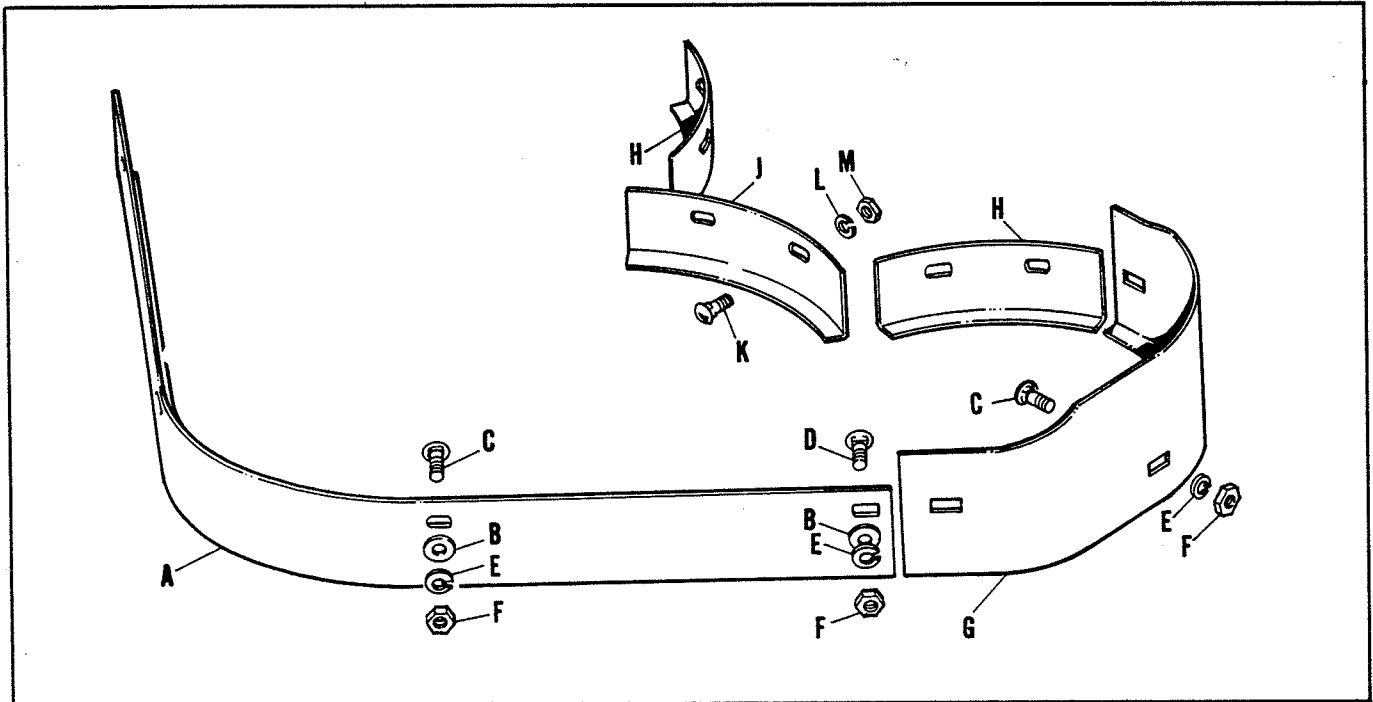


Figure 1.



Ref. Let.	Part No.	Description
A	108544	Mulcher Front Baffle
B	719001	Plain Washer, 3/8"
C	703004	Carriage Bolt, 3/8"-16 x 3/4"
D	702003	Carriage Bolt, 3/8"-16 x 3/4"
E	720002	Lock Washer, 3/8"
F	717003	Hex Nut, Full, 3/8"-16
G	108543	Housing End Plate
H	108545	Mulcher Baffle, Rear side
J	108546	Mulcher Baffle, Rear center
K	703005	Carriage Bolt, 5/16"-18 x 3/4"
L	720001	Lock Washer, 5/16"
M	717001	Hex Nut, Full, 5/16"-18

12345678910

