



Parts Manual



Citation

Series Zero-Turn Riders & Mower Decks

21HP Product

Mfg. No. Description

2690444 Citation, 21HP Briggs & Stratton Zero Turn Rider w/48" Mower

23HP Product

Mfg. No. Description

2690445 Citation, 23HP Briggs & Stratton Zero Turn Rider w/52" Mower

Part No.: 1733092

Rev. 8/2008

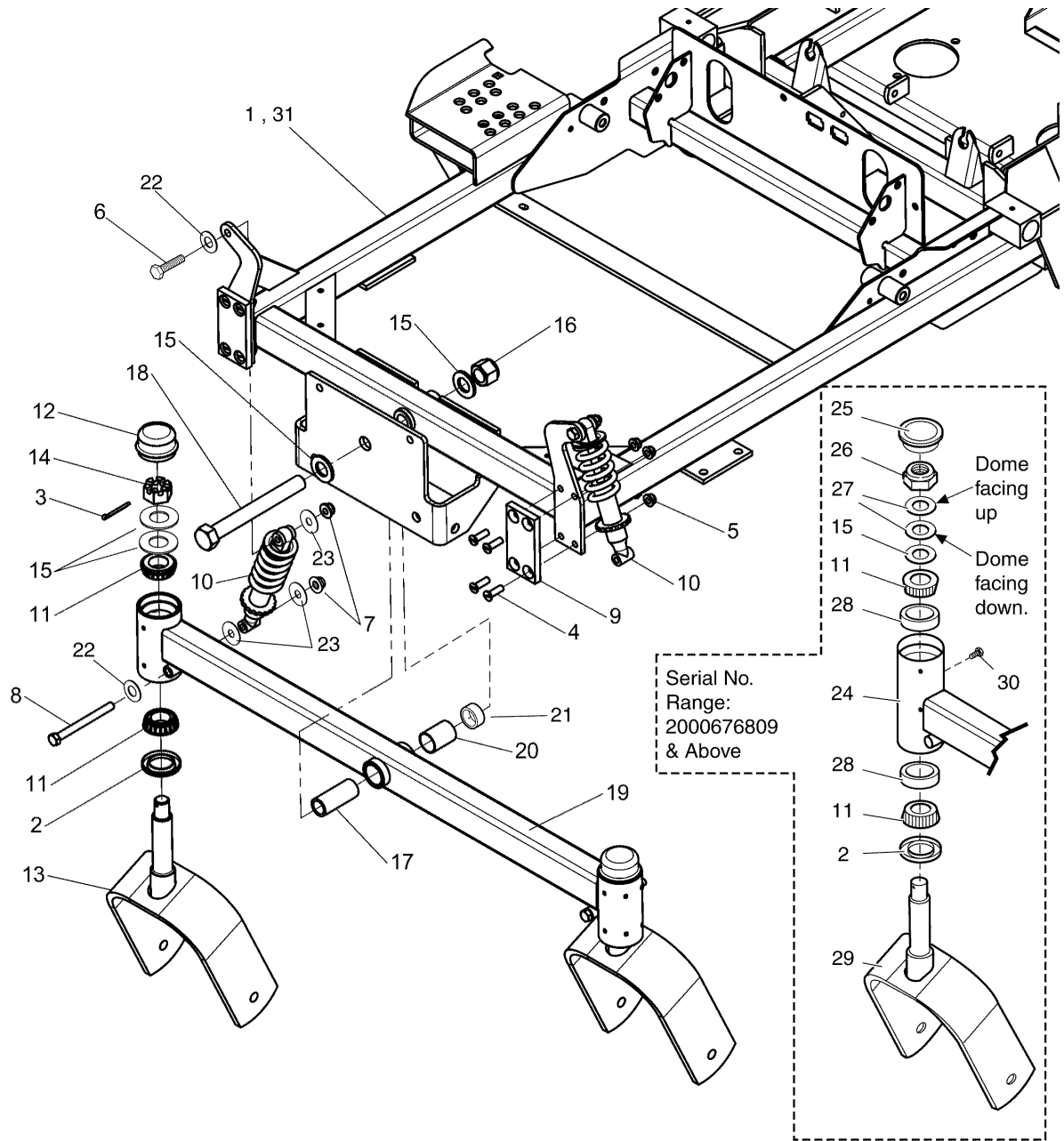
TP 400-7287-S-CI-S

PRODUCT COMPONENTS	PAGES
Main Frame & Front Suspension Group	4
Rear Bumper Group	6
Engine & PTO Group	8
Instrument Control Panel Group	10
Pump Drive Group	12
Motion Control Group - S/N: 201317250 & Below	14
Motion Control Group - S/N: 201317251 & Above	18
Hydraulic Group	22
Hydraulic Mount Group	26
Electrical Group	28
Seat, Mount & Floor Group	30
Fuel Supply Hose Group & Tank Replacement Parts Group	32
Fuel Tank & Mount Group	34
Parking Brake Group	36
Rear Suspension Group	38
Deck Lift Group - S/N: 2013202961 & Below	40
Deck Lift Group - S/N: 2013202962 & Above	44
Wheel & Tire Group	48
Decals - Brand & Model	50
Decals - Safety & Operation	52
48" & 52" Mower Deck - Hanger Chains	54
48" & 52" Mower Deck - Housing, Cover, Spindle & Blade	56
48" & 52" Mower Deck - Pulleys, Belts & Idler Arm	58
48" & 52" Mower Deck - Rollers	60
48" & 52" Mower Deck - Spindle Service Parts Group	62
Torque Specification Chart	Inside Back Cover

Main Frame & Front Suspension Group

NOTE: Unless noted otherwise, use the standard hardware torque specification chart.

287frm0



The above parts group applies to the following Mfg. Nos.:

- 2690444 - Citation
- 2690445 - Citation

Main Frame & Front Suspension Group

REF NO.	PART NO.	QTY.	DESCRIPTION
1	5400257CSM	1	MAIN FRAME ASSEMBLY (Serial No.: 2013170250 & Below)
2	5021072SM	2	GREASE SEAL
3	5025203X10SM	2	COTTER PIN, 1/8" X 1-1/4"
4	5025303SM	8	SCREW, 5/16-18 X 1 FLAT HD SC
5	5025057SM	8	NUT, 5/16-18 Hex Nylon Lock
6	5025013X14SM	2	BOLT, 3/8-16 X 1-3/4"
7	5025394SM	4	NUT, 3/8-16 Hex Nylock Flange
8	5025013X32SM	2	BOLT, 3/8-16 X 4"
9	5045990SM	2	FRICITION PLATE
10	5023483SM	2	SHOCK & SPRING ASSEMBLY
11	5020884SM	4	BEARING, Tapered Roller
12	5021073SM	2	CAP
13	5047049CSM	2	CASTER YOKE
14	5025104SM	2	NUT, 3/4-16 Hex Slotted
15	5025160SM	6	WASHER, 3/4" SAE
16	5025284SM	1	NUT, 3/4-16 Hex Nylon Lock
17	5047489SM	1	SPACER, .75 X 1.00 X 2.38
18	5025265X52SM	1	BOLT, 3/4-16 X 6-1/2"
19	5401410SM	1	ASSM, PIVOTING FRONT END (Includes Ref. #'s 20 and 21)
20	5022852SM	1	PIVOT BEARING
21	5100358SM	1	PIVOT BEARING
22	5025156SM	4	WASHER, 3/8" SAE
23	5025165SM	6	WASHER, 3/8" FENDER
24	5402536CSM	1	WELD, PIVOTING FRONT END - ORG (Serial No.: 2000676809 & Above)
25	5100882SM	2	CAP, CASTER SPINDLE LOW PROFILE (Serial No.: 2000676809 & Above)
26	5025448SM	2	NUT, 3/4-16 HEX JAM NYLON LOCK (Serial No.: 2000676809 & Above)
27	5025449SM	4	BELLEVILLE WASHER, 1.500 X .755 (Serial No.: 2000676809 & Above)
28	5020883SM	4	BEARING CUP (Serial No.: 2000676809 & Above)
29	5402208CSM	2	WELD, CASTER YOKE - ORG. (Serial No.: 2000676809 & Above)
30	5025457SM	2	BOLT, 1/4-28 X 1/2, GD5 YZ (Serial No.: 2000676809 & Above)
31	5404316CSM	1	WELD, Main Frame Assembly (Serial No.: 2013170251 & Above)

Footnotes

The above parts group applies to the following Mfg. Nos.:

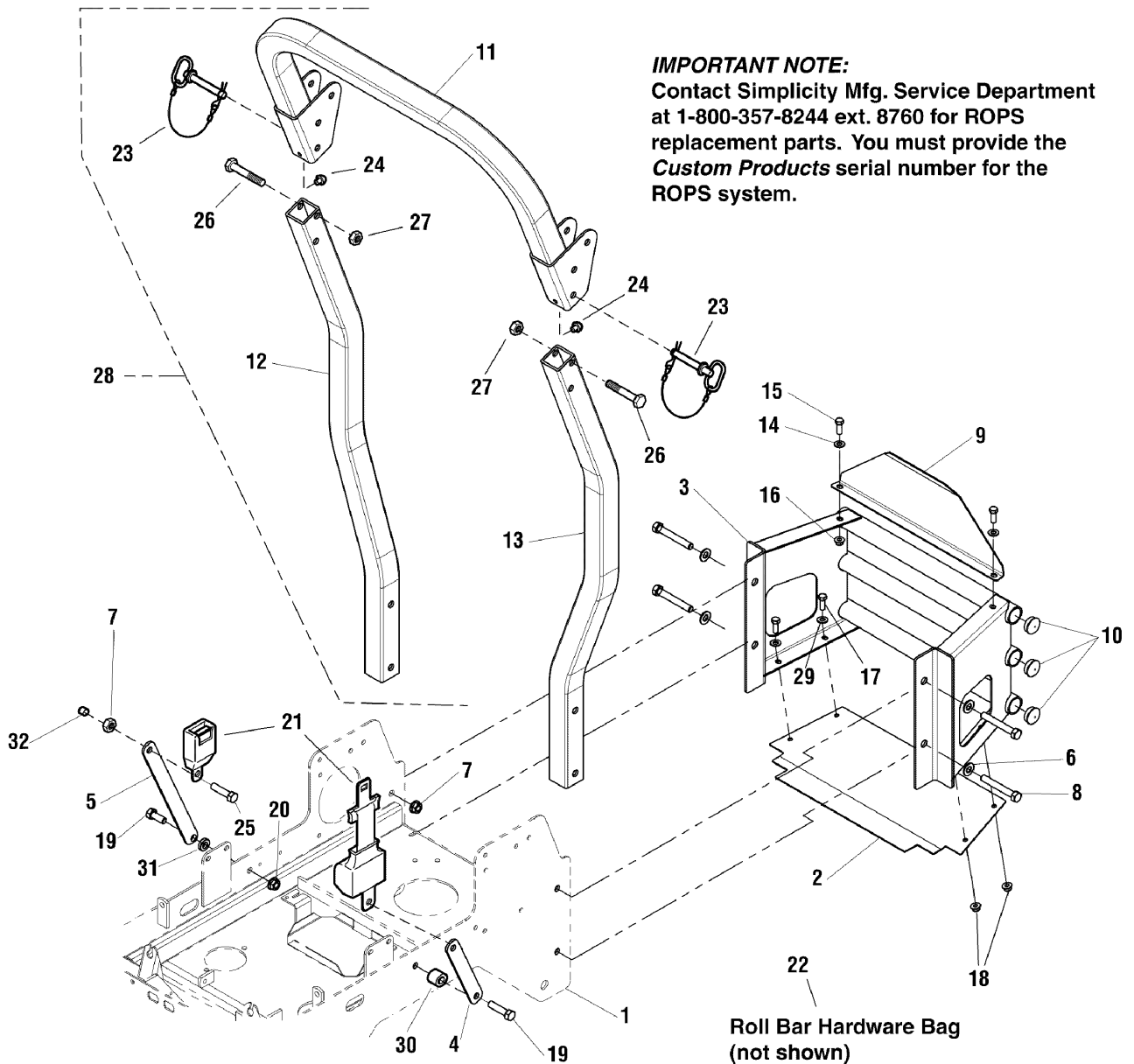
2690444 - Citation

2690445 - Citation

Rear Bumper Group

NOTE: Unless noted otherwise, use the standard hardware torque specification chart.

287bmp1



The above parts group applies to the following Mfg. Nos.:

2690444 - Citation

2690445 - Citation

Rear Bumper Group

REF NO.	PART NO.	QTY.	DESCRIPTION
1	-	-	MAIN FRAME
2	5401174CSM	1	HEAT SHIELD
3	5403268CSM	1	BUMPER
4	5400844CSM	1	PLATE, SEAT BELT ANCHOR - LH
5	5400847CSM	1	PLATE, SEAT BELT ANCHOR - RH
6	5025158SM	4	WASHER, 1/2" SAE
7	5025396SM	6	NUT, 1/2-13 HEX NYLOCK FLANGE
8	5025017X26SM	4	BOLT, 1/2-13 X 3-1/4" GD5
9	5061725CSM	1	CARB PROTECTOR PLATE
10	5023484SM	6	PLUG, PANEL, 1.25 BLACK
11	-	1	ROLL BAR TOP LOOP
12	-	1	ROLL BAR POST, RH
13	-	1	ROLL BAR POST, LH
14	5025156SM	2	WASHER 3/8" SAE
15	5025013X8SM	2	BOLT, 3/8-16 X 1" GD5
16	5025394SM	2	NUT, 3/8-16 X 1" GD5
17	5025011X6SM	4	BOLT, 5/16-18 X 3/4" GD5
18	5025392SM	4	NUT, 5/16-18 HEX NYLOCK FLANGE
19	5025017X14SM	2	BOLT, 1/2-13 X 1-3/4 GD5 YZ
20	5025396SM	2	NUT, 1/2 X 13 HEX NYLOCK FLANGE
21	5100139SM	1	SEAT BELT ASSEMBLY, STANDARD
21	5100397SM	1	SEAT BELT ASSEMBLY, EXTRA LONG
22	5100377SM	1	ROLL BAR HARDWARE BAG
23	5100079SM	2	PIN, HITCH, BLACK W/ PLASTIC LANYARD
24	5100383SM	2	RUBBER BUMPER
25	5100267SM	2	SCREW, 1/2-13 X 1.00, SHCS
26	-	2	*BOLT
27	-	2	*NUT
28	5100186SM	1	ROPS COMPLETE IN BOX, IS1500
29	5025155SM	4	WASHER, 5/16"SAE
30	5045178SM	1	SPACER, .52 X 1.00 X .75
31	5100520SM	1	SPACER, .515 X 1.00 X .218
32	5101049SM	1	CAP, VINYL
33	5100545SM	2	RUBBER WASHER (Not shown)

Footnotes

The above parts group applies to the following Mfg. Nos.:

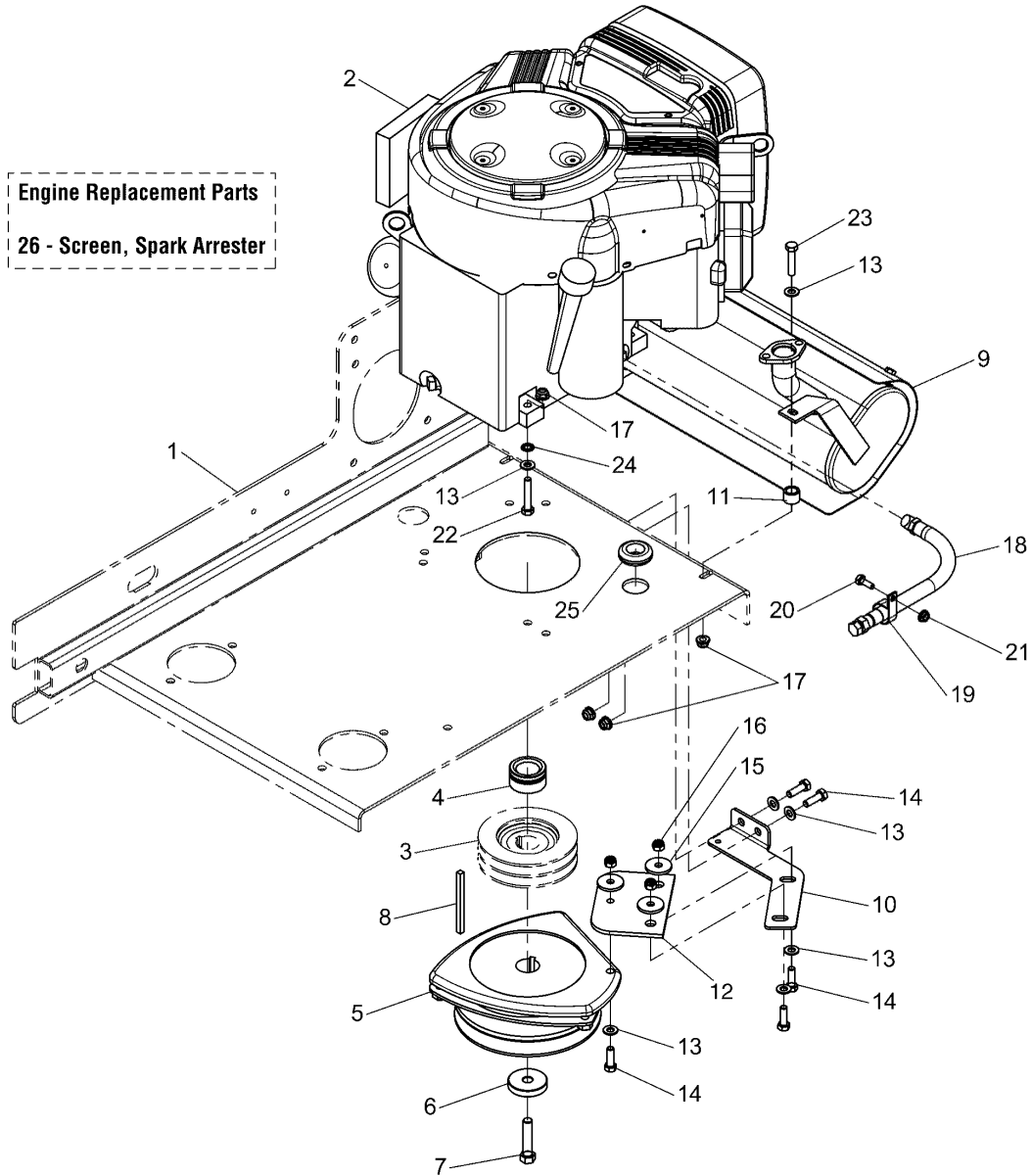
2690444 - Citation

2690445 - Citation

Engine & PTO Group

287engb0

NOTE: Unless noted otherwise,
use the standard hardware torque
specification chart.



The above parts group applies to the following Mfg. Nos.:

2690444 - Citation

2690445 - Citation

Engine & PTO Group

REF NO.	PART NO.	QTY.	DESCRIPTION
1	-	-	MAIN FRAME
2	-	1	ENGINE, 21HP Briggs & Stratton (Model 385777)
2	-	1	ENGINE, 23HP Briggs & Stratton (Model 386777)
3	-	1	CRANKSHAFT PULLEY
4	5046845SM	1	SPACER, 1.13 X 1.75 X .97
5	5023432SM	1	CLUTCH
6	5045475SM	1	SPACER, .45 X 1.88 X .38
7	5044853SM	1	BOLT, CRANKSHAFT, 7/16" X 2"
8	5050407X28SM	1	KEY, 1/4" SQ. X 3-1/2"
9	5100361SM	1	MUFFLER
10	5061857CSM	1	CLUTCH ANCHOR PLATE
11	5047027SM	2	SPACER, .51 X .75 X .56
12	5043636SM	1	CLUTCH ANCHOR PAD
13	5025155SM	11	WASHER, 5/16" SAE
14	1921333SM	5	BOLT, 5/16-18 X 1"
15	5044617SM	3	WASHER, Clutch Anchor
16	5025057SM	3	NUT 5/16-18 Hex Nylon Lock
17	5025392SM	8	NUT, 5/16-18 Hex Nylock Flange
18	5048681SM	1	OIL DRAIN HOSE
19	5021500SM	1	CLAMP, Vinyl Insulated
20	1923341SM	1	BOLT, 1/4-20 X 3/4"
21	5025126SM	1	NUT, 1/4-20 Hex Serrated Flange
22	1922127SM	4	BOLT, 5/16-18 X 1-3/4"
23	502501112SM	2	BOLT, 5/16-18 X 1-1/2"
24	5025188SM	4	WASHER, 5/16" Internal Tooth Lock
25	5021379SM	1	GROMMET, 7/8"
26	5101641SM	1	SCREEN, SPARK ARRESTER (NOT SHOWN)

Footnotes

The above parts group applies to the following Mfg. Nos.:

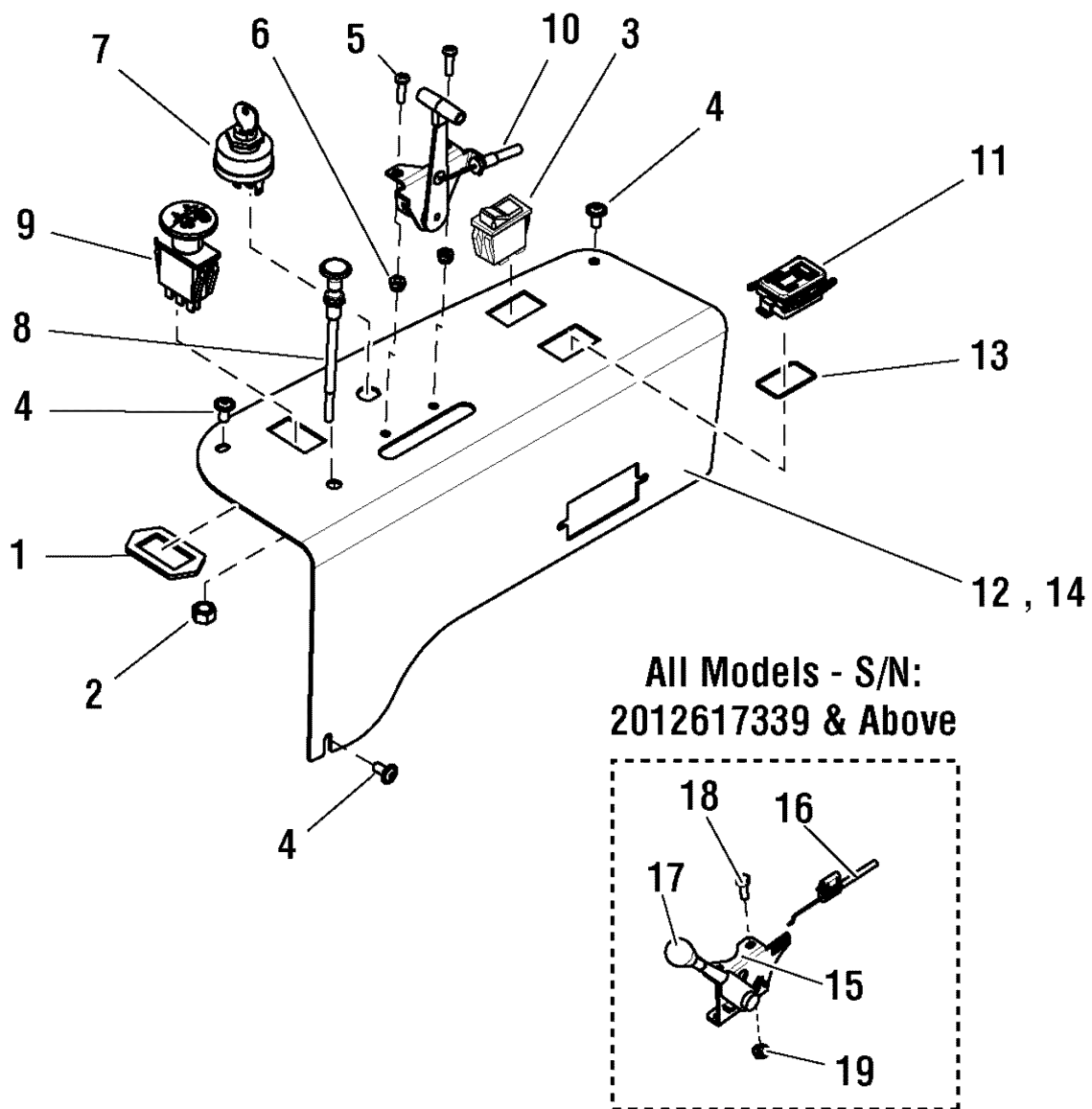
2690444 - Citation

2690445 - Citation

Instrument Control Panel Group

NOTE: Unless noted otherwise,
use the standard hardware torque
specification chart.

287ins0



The above parts group applies to the following Mfg. Nos.:

2690444 - Citation
2690445 - Citation

Instrument Control Panel Group

REF NO.	PART NO.	QTY.	DESCRIPTION
1	5022222SM	1	SWITCH RETAINER RING
2	5025039SM	1	NUT, 3/8-24 Hex
3	1703799SM	1	SWITCH, LIGHT
4	5025299X4SM	3	SCREW, Allen Head, 1/4-20 x 1/2
5	5025010X5SM	2	BOLT, 1/4-20 X 5/8" GD5 YZ (S/N: 2012617338 & Below)
6	5025095SM	2	NUT, 1/4-20 Hex Nylon Lock (S/N: 2012617338 & Below)
7	1686734SM	1	SWITCH, Ignition, Complete
8	5046501SM	1	CABLE, Choke Control, 47"
9	1722887SM	1	SWITCH, PTO
10	5048231SM	1	CABLE, Throttle Control, 40" (S/N: 2012617338 & Below)
11	5100978SM	1	HOURMETER, Digital
12	5061361ASM	1	CONTROL PANEL (S/N: 2012617338 & Below)
13	5022269SM	1	O-RING, 7/8" ID X 1/16" W
14	5403402ASM	1	PLATE, CONTROL PANEL - BLACK (S/N: 2012617339 & Above)
15	5101118SM	1	LEVER, THROTTLE CONTROL (S/N: 2012617339 & Above)
16	5101073SM	1	CABLE, THROTTLE, 42" (S/N: 2012617339 & Above)
17	5046360X1SM	1	KNOB, THROTTLE CONTROL (SV) (S/N: 2012617339 & Above)
18	5025179X6SM	2	SCREW, #10-24 X 3/4" ROUND PHILLIPS (S/N: 2012617339 & Above)
19	5025271SM	2	NUT, #10-24 HEX NYLON LOCK (S/N: 2012617339 & Above)

Footnotes

The above parts group applies to the following Mfg. Nos.:

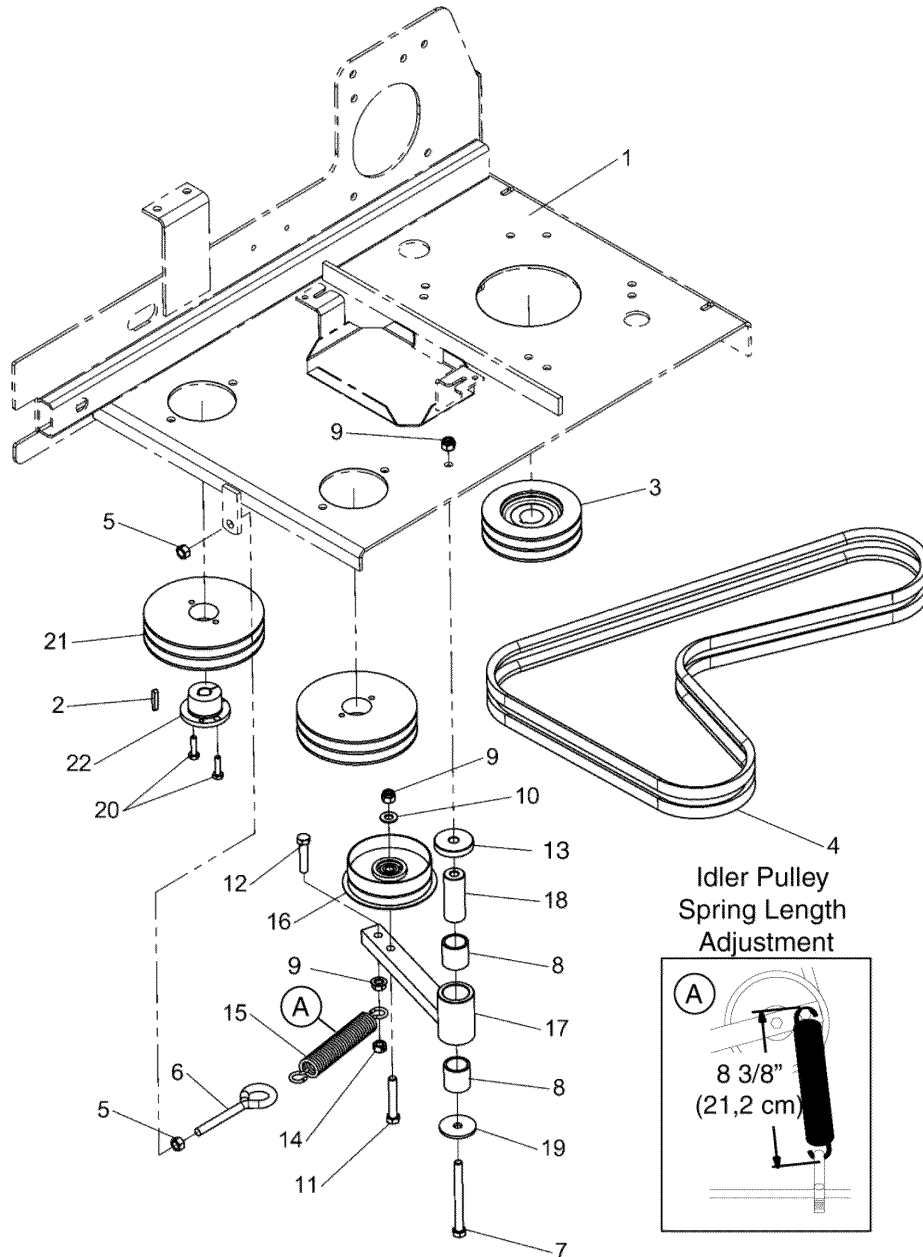
2690444 - Citation

2690445 - Citation

Pump Drive Group

NOTE: Unless noted otherwise,
use the standard hardware torque
specification chart.

287pdr0



The above parts group applies to the following Mfg. Nos.:

2690444 - Citation

2690445 - Citation

Pump Drive Group

REF NO.	PART NO.	QTY.	DESCRIPTION
1	-	-	MAIN FRAME
2	5023254SM	2	KEY, 5MM SQ. x 25MM w/ Round Ends
3	5047075SM	1	CRANKSHAFT PULLEY
4	5100555SM	1	BELT, PUMP DRIVE, BANDED
5	1916950SM	2	NUT, 3/8-16 Hex
6	5021812SM	1	EYE BOLT, 3/8-16 X 6"
7	5025013X32SM	1	BOLT, 3/8-16 X 4"
8	5022157SM	2	BUSHING, Brass
9	5025394SM	3	NUT, 3/8-16 Nylock Flange
10	5025293SM	1	WASHER, 3/8" GR. 9 FLAT
11	5025013X18SM	1	BOLT, 3/8-16 X 2-1/4"
12	5025013X14SM	1	BOLT, 3/8-16 X 1-3/4"
13	5045475SM	1	SPACER, .45 X 1.88 X .38
14	5025100SM	1	NUT, 3/8-16 Hex Side Lock
15	5022847SM	1	SPRING, Extension, Swivel End
16	5022621SM	1	PULLEY, Idler (Single Flange)
17	5046430CSM	1	PUMP DRIVE IDLER ARM
18	5045135SM	1	SPACER, .39 X 1.00 X 2.55
19	5025305SM	1	WASHER, 3/8 x 1-3/4
20	5025010X8SM	4	BOLT, 1/4-20 X 1"
21	5022586SM	2	PULLEY, Pump Drive
22	5022587SM	2	BUSHING, Tapered Hub

Footnotes

The above parts group applies to the following Mfg. Nos.:

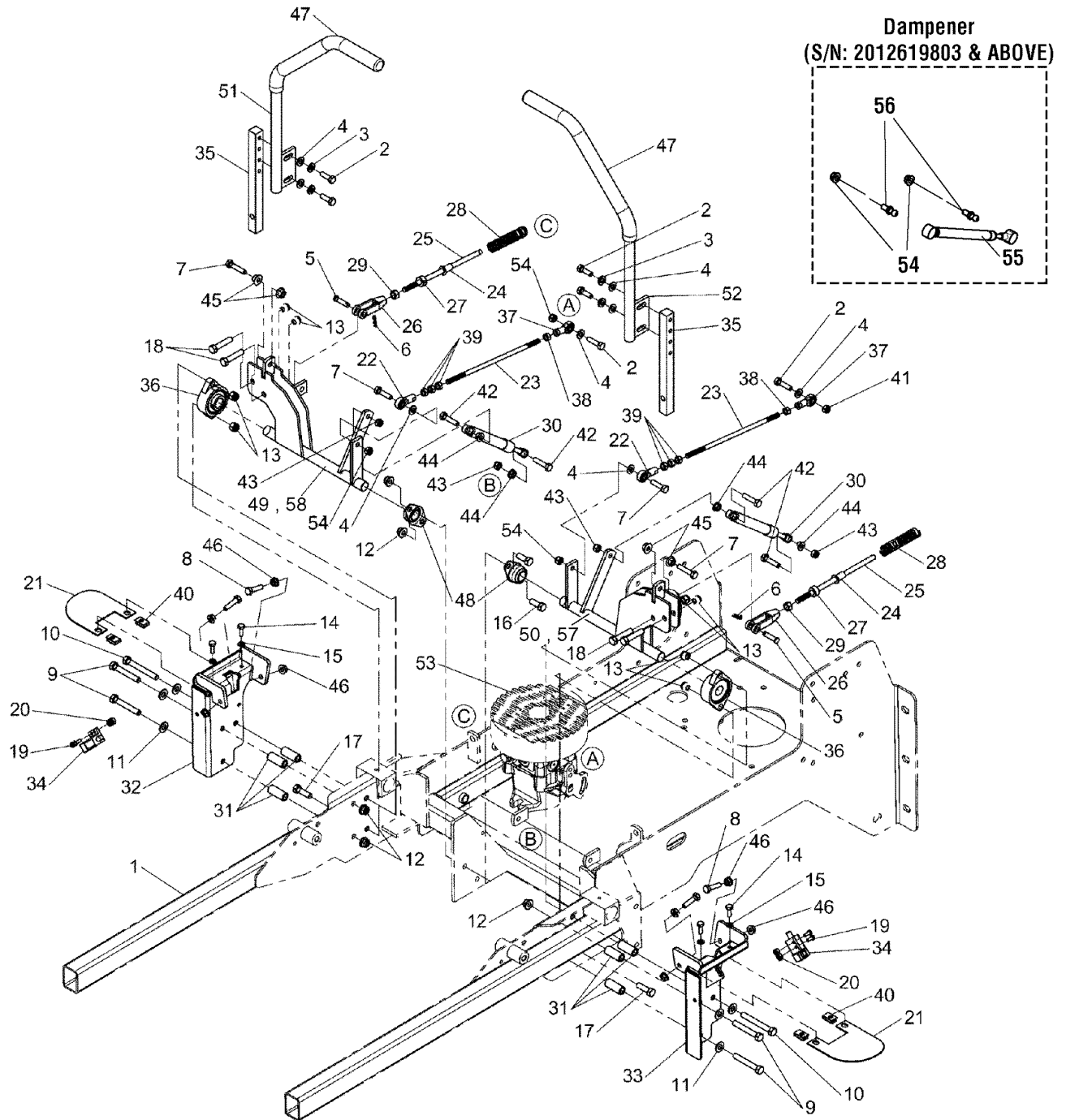
2690444 - Citation

2690445 - Citation

Motion Control Group - S/N: 201317250 & Below

NOTE: Unless noted otherwise,
use the standard hardware torque
specification chart.

287mcg0



The above parts group applies to the following Mfg. Nos.:

2690444 - Citation

2690445 - Citation

Motion Control Group - S/N: 201317250 & Below

REF NO.	PART NO.	QTY.	DESCRIPTION
1	-	-	MAIN FRAME
2	5025011X8SM	6	BOLT, 5/16-18 X 1"
3	5025170SM	4	WASHER, 5/16" Lock
4	5025155SM	8	WASHER, 5/16" SAE
5	5025213X10SM	2	CLEVIS PIN, 3/8" X 1-1/4"
6	5025211SM	2	HAIRPIN CLIP
7	5025011X10SM	4	BOLT, 5/16-18 X 1-1/4"
8	5025011X9SM	4	BOLT, 5/16-18 X 1-1/8"
9	5025013X20SM	4	BOLT, 3/8-16 X 2-1/2"
10	5025013X24SM	2	BOLT, 3/8-16 X 3"
11	5025156SM	6	WASHER, 3/8" SAE
12	5025394SM	10	NUT, 3/8-16 Hex Nylock Flange
13	5025096SM	4	NUT, 3/8-16 Hex Nylon Lock
14	5025010X6SM	4	BOLT, 1/4-20 X 3/4"
15	5025154SM	4	WASHER, 1/4" SAE
16	5025013X8SM	2	BOLT, 3/8-16 X 1"
17	5025013X10SM	2	BOLT, 3/8-16 X 1-1/4"
18	5025013X14SM	4	BOLT, 3/8-16 X 1-3/4"
19	5025179X4SM	4	SCREW, #10-24 X 1/2"
20	5025029SM	4	NUT, #10-24 Hex
21	5061838CSM	2	MOTION CONTROL GUARD
22	5021146SM	2	BALL JOINT, 5/16-24 Female
23	5046420SM	2	HYDRO CONTROL ROD
24	5023260SM	2	BUSHING, Flange
25	5049969SM	2	NEUTRAL CONTROL ROD
26	5021171SM	2	CLEVIS, 3/8-24, Plastic
27	5010546SM	2	COLLAR, 3/8" Set
28	5022645SM	2	SPRING, Compression
29	5025035SM	2	NUT, 3/8-24 Hex
30	5100728SM	2	DAMPENER (S/N: 2012619803 & Below)
31	5048264SM	6	SPACER, .39 X .63 X 1.50
32	5049872CSM	1	NEUTRAL LOCK PLATE, RH
33	5049873CSM	1	NEUTRAL LOCK PLATE, LH
34	5022095SM	2	SWITCH, Plunger, NO/NC
35	5047004SM	2	CONTROL ARM MOUNT
36	5021499SM	2	BEARING, Flange
37	5022628SM	2	BALL JOINT, 5/16-24 Female LH
38	5023212SM	2	NUT, 5/16-24 Hex LH
39	5025033SM	6	NUT, 5/16-24 Hex
40	5022665SM	4	BODY CLIP, 1/4-20
41	5025057SM	2	NUT, 5/16-18 Hex Nylon Lock
42	5025335SM	4	BOLT, M8-1.25 x 35MM (S/N: 2012619803 & Below)
43	5025354SM	4	NUT, M8-1.25 Hex Nylon Lock (S/N: 2012619803 & Below)
44	5025355SM	4	NUT, M8-1.25 Hex Serrated Flange (S/N: 2012619803 & Below)

Footnotes

The above parts group applies to the following Mfg. Nos.:

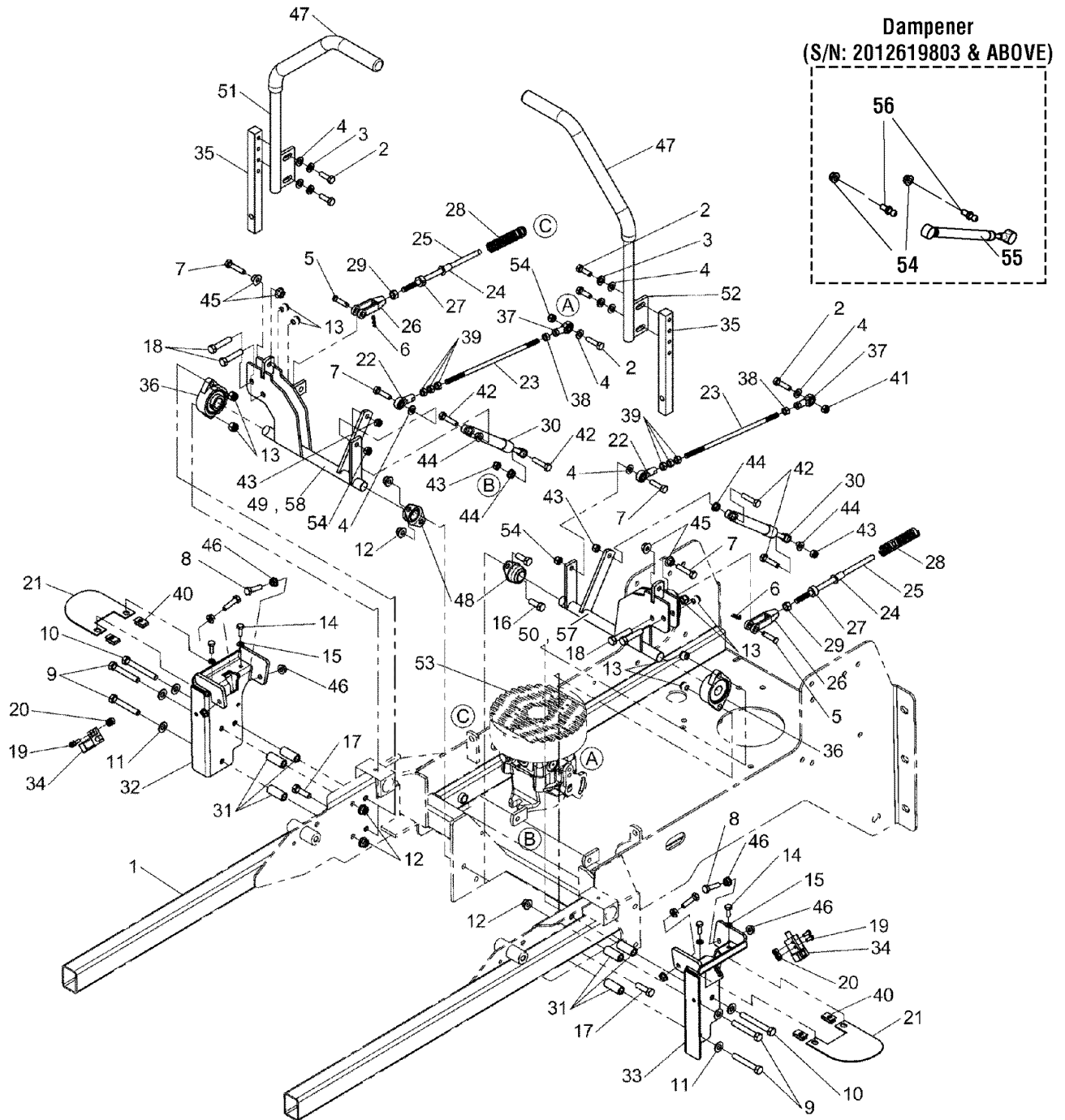
2690444 - Citation

2690445 - Citation

Motion Control Group - S/N: 201317250 & Below

NOTE: Unless noted otherwise,
use the standard hardware torque
specification chart.

287mcg0



The above parts group applies to the following Mfg. Nos.:

2690444 - Citation

2690445 - Citation

Motion Control Group - S/N: 201317250 & Below

REF NO.	PART NO.	QTY.	DESCRIPTION
45	5025139SM	4	NUT, 5/16-18 Hex Large Serrated Flange
46	1931277SM	8	NUT, 5/16-18 Hex Small Serrated Flange
47	5022068SM	2	GRIP, Foam
48	5021098SM	2	BEARING, Flange
49	5049843CSM	1	CONTROL SHAFT, RH (S/N: 2012619803 & Below)
50	5049842CSM	1	CONTROL SHAFT, LH (S/N: 2012619803 & Below)
51	5047056CSM	1	MOTION CONTROL HANDLE, RH
52	5047055CSM	1	MOTION CONTROL HANDLE, LH
53	-	-	HYDRAULIC PUMP
54	5025392SM	6	NUT, 5/16" -18 NYLOCK FLANGE
55	5100940SM	2	DAMPENER, CONTROL, #(P6709/P3610) (S/N: 2012619804 & Above)
56	5100941SM	4	BALL STUD, 5/16 X .50, (# PC-477-2) (S/N: 2012619804 & Above)
57	5403640CSM	1	WELD, CONTROL SHAFT, LH - ORG (S/N: 2012619804 & Above)
58	5403641CSM	1	WELD, CONTROL SHAFT, RH - ORG (S/N: 2012619804 & Above)

Footnotes

The above parts group applies to the following Mfg. Nos.:

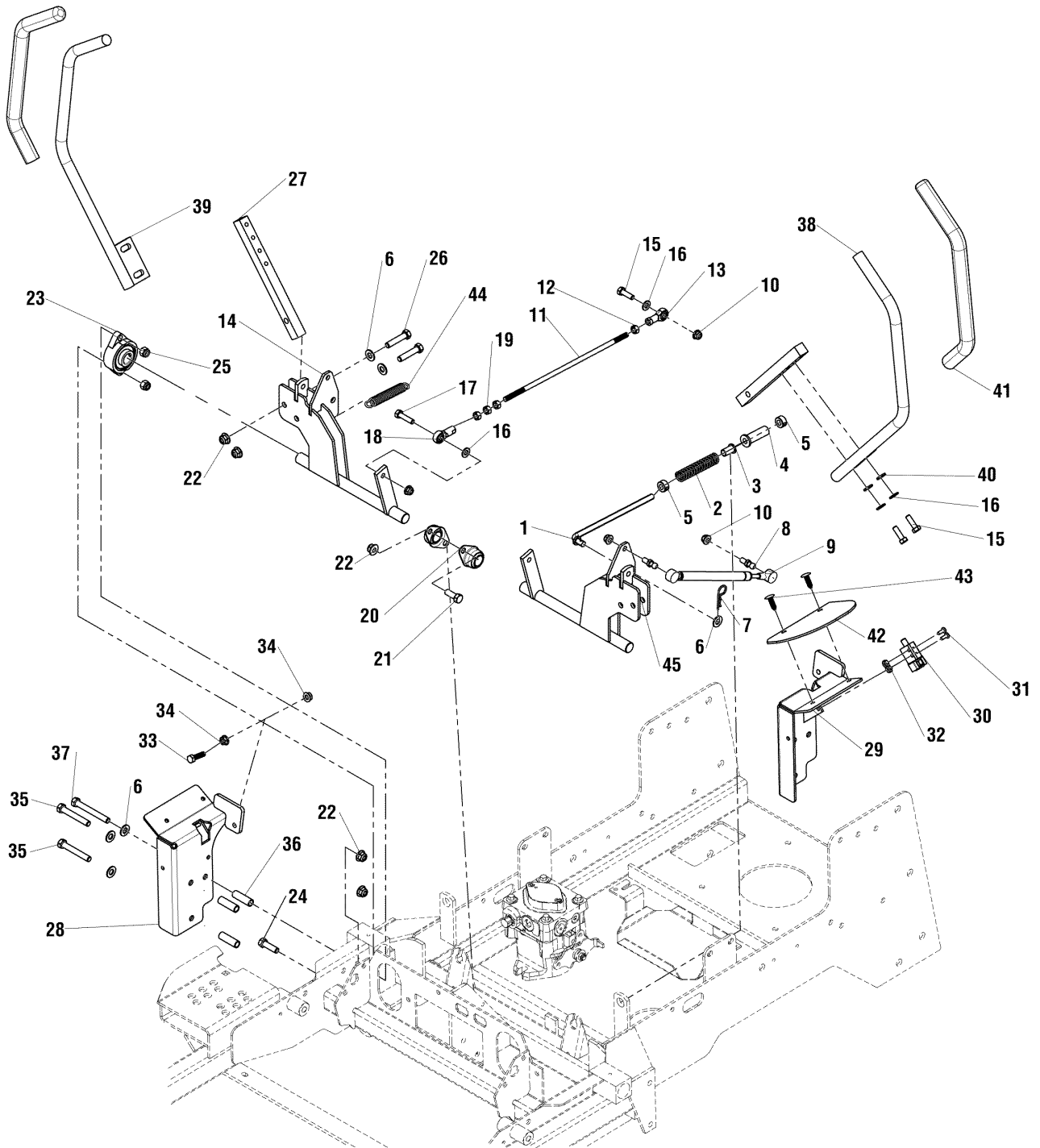
2690444 - Citation

2690445 - Citation

Motion Control Group - S/N: 201317251 & Above

5301479

NOTE: Unless noted otherwise,
use the standard hardware torque
specification chart.



The above parts group applies to the following Mfg. Nos.:

2690444 - Citation

2690445 - Citation

Motion Control Group - S/N: 201317251 & Above

REF NO.	PART NO.	QTY.	DESCRIPTION
1	5100947SM	2	ROD, NEUTRAL RETURN
2	5022645SM	2	SPRING, REVERSE RETURN
3	5023260SM	2	BUSHING, NYLON
4	5100942SM	2	BUSHING, FLANGED .375 X .630 X 2.00
5	5010546SM	4	COLLAR, 3/8" SET
6	5025156SM	2	WASHER, 3/8 SAE
7	5025210SM	2	PIN, HAIR, .0915 X 1-7/8
8	5100941SM	4	BALL STUD, 5/16 X .50,# PC-477-2)
9	5100940SM	2	DAMPENER, CONTROL, #(P6709/P3610)
10	5025392SM	2	NUT, 5/16-18 HEX NYLOCK FLANGE
11	5100946SM	2	ROD, HYDRO LINKAGE
12	5023212SM	2	NUT, 5/16-24 HEX, LH
13	5022628SM	2	BALL JOINT, 5/16-24, LH FEMALE
14	5402589CSM	1	WELD, SHAFT MOTION CONTROL-RH-IS500-ORG
15	5025011X8SM	6	BOLT, 5/16-18 X 1 GD5 YZ
16	5025155SM	8	WASHER, 5/16" SAE
17	5025011X10SM	2	BOLT, 5/16-18 X 1-1/4" GD5 YZ
18	5021146SM	2	BALL JOINT, 5/16-24, FEMALE
19	5025033SM	6	NUT, 5/16-24 HEX
20	5021098SM	2	BEARING, BRONZE FLANGE, 3/4
21	5025013X8SM	2	BOLT, 3/8-16 X 1" GD5 YZ
22	5025394SM	14	NUT, 3/8-16 HEX NYLOCK FLANGE
23	5021499SM	2	BEARING, FLANGE
24	5025013X10SM	2	BOLT, 3/8-16 X 1-1/4" GD5
25	5025096SM	4	NUT, 3/8-16 HEX NYLON LOCK
26	5025013X14SM	8	BOLT, 3/8-16 X 1-3/4" GD5
27	5047004SM	2	MOUNT, CONTROL ARM
28	5402595CSM	1	WELD, NEUTRAL LOCK - RH - IS500-ORG
29	5402594CSM	1	WELD, NEUTRAL LOCK - LH - IS500-ORG
30	5022095SM	2	SWITCH, PLUNGER, N.O./N.C.
31	5025179X4SM	4	SCREW, #10-24 X 1/2 ROUND PHILLIPS
32	5025029SM	4	NUT, #10-24 HEX
33	5025011X9SM	2	BOLT, 5/16-18 X 1-1/8" GD5
34	5025127SM	8	NUT, 5/16-18 HEX SERRATED FLANGE (SMALL)
35	5025013X20SM	4	BOLT, 3/8-16 X 2-1/2" GD5 YZ
36	5048264SM	6	SPACER, .39 X .63 X 1.50
37	5025013X24SM	2	BOLT, 3/8-16 X 3" GD5 YZ
38	5047055CSM	1	WELD, HANDLE MOTION CONTROL-LH
39	5047056CSM	1	WELD, HANDLE MOTION CONTROL-RH
40	5025170SM	4	WASHER, 5/16" LOCK
41	5022068SM	2	GRIP, FOAM, 3/4 ID, 16 LONG
42	5100948SM	2	GUARD, RUBBER MOT CTRS - IS500Z
43	5025431SM	4	PUSH RIVET (TREE TYPE), BLACK
44	5020639SM	2	SPRING, EXTENSION

Footnotes

The above parts group applies to the following Mfg. Nos.:

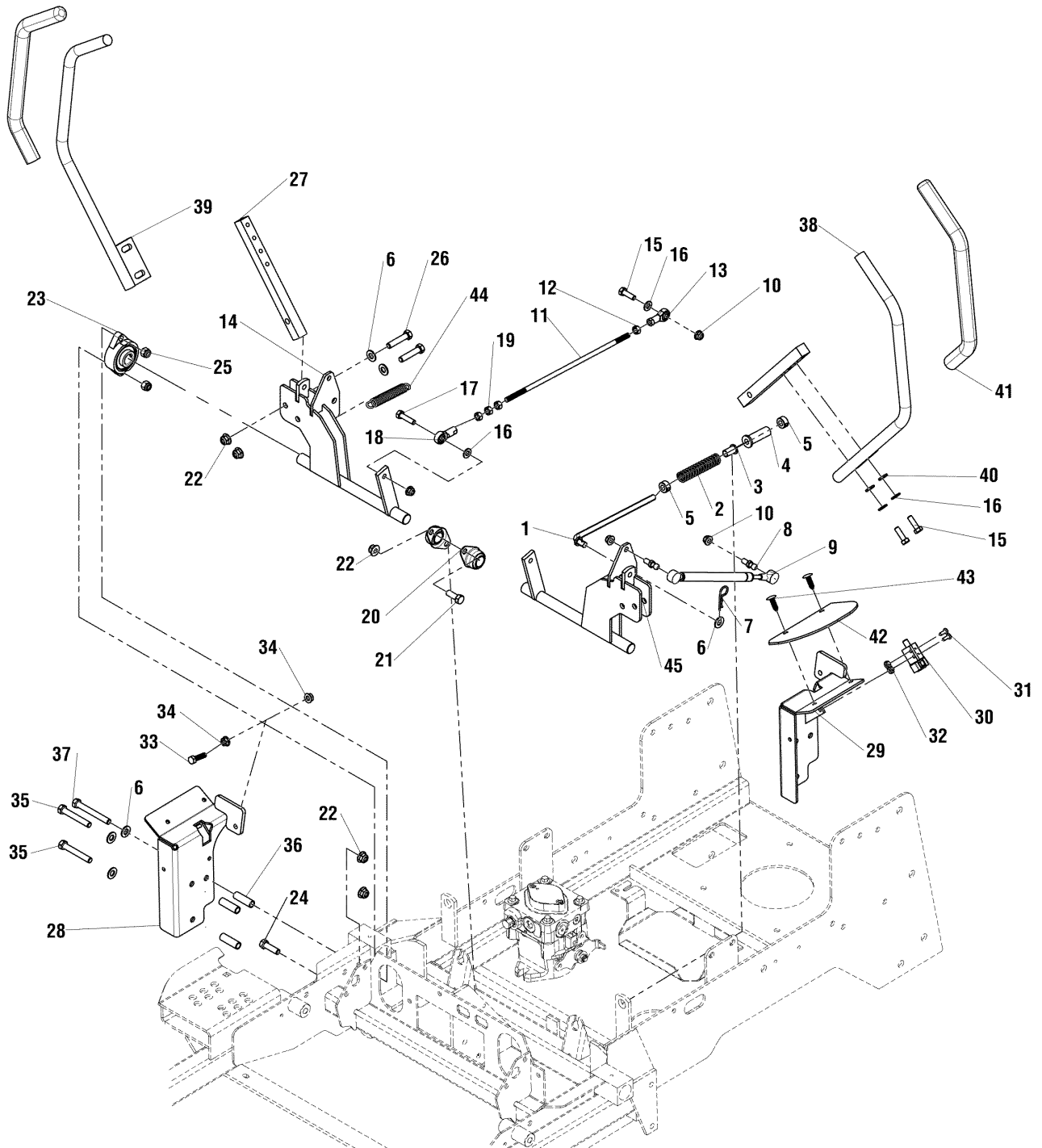
2690444 - Citation

2690445 - Citation

Motion Control Group - S/N: 201317251 & Above

5301479

NOTE: Unless noted otherwise,
use the standard hardware torque
specification chart.



The above parts group applies to the following Mfg. Nos.:

2690444 - Citation

2690445 - Citation

Motion Control Group - S/N: 201317251 & Above

REF NO.	PART NO.	QTY.	DESCRIPTION
45	5402588CSM	1	WELD, SHAFT MOTION CONTROL-LH-IS500-ORG

Footnotes

The above parts group applies to the following Mfg. Nos.:

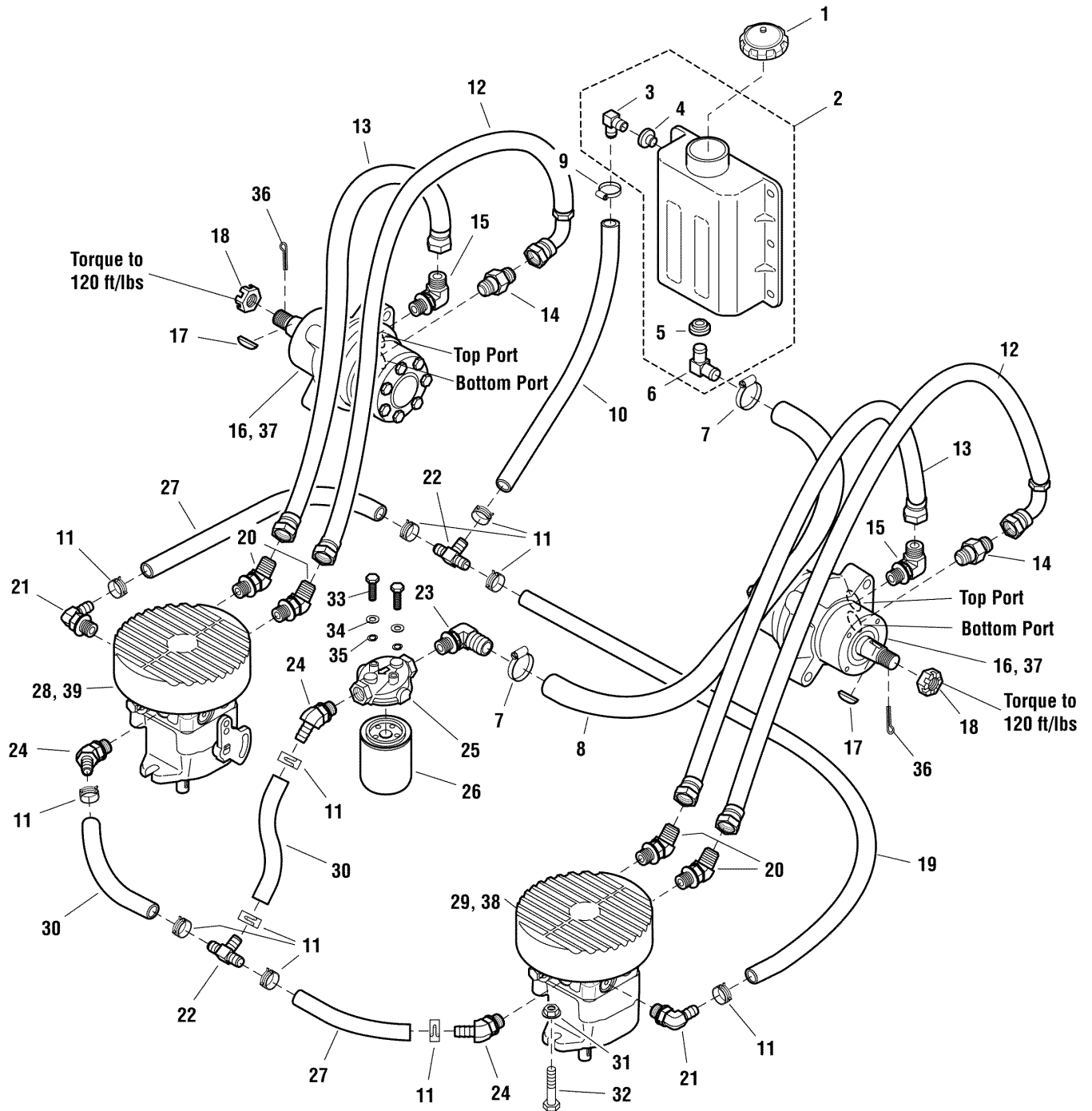
2690444 - Citation

2690445 - Citation

Hydraulic Group

NOTE: Unless noted otherwise, use the standard hardware torque specification chart.

287hyd0



The above parts group applies to the following Mfg. Nos.:

- 2690444 - Citation
- 2690445 - Citation

Hydraulic Group

REF NO.	PART NO.	QTY.	DESCRIPTION
1	5100017SM	1	CAP, Hydraulic Oil Only
2	5061712SM	1	HYDRAULIC OIL RESERVOIR, Complete
3	5023118SM	1	FITTING, Elbow, 3/8"
4	1726400SM	1	GROMMET
5	5023121SM	1	GROMMET
6	5023119SM	1	FITTING, Elbow, 5/8"
7	5021164SM	2	CLAMP, #10 Hose
8	5050933X24P5SM	1	HOSE, Hydraulic, 24.5"
9	5022922SM	1	CLAMP, #4 Hose
10	5050860X18P5SM	1	HOSE, Hydraulic, 18.5"
11	5023268SM	11	CLAMP, Hose
12	5023370SM	2	HYDRAULIC HOSE ASSEMBLY, 25"
13	5022711SM	2	HYDRAULIC HOSE ASSEMBLY, 21"
14	5022633SM	2	FITTING, O-Ring Adapter
15	5022599SM	2	FITTING, O-Ring, 90 Deg.
16	5023316SM	2	HYDRAULIC WHEEL MOTOR, Complete (S/N: 2012607199 & BELOW)
17	5022042X2SM	2	KEY
18	5022042X3SM	2	NUT, CASTLE
19	5050860X18SM	1	HOSE, Hydraulic, 18"
20	5023338SM	4	FITTING, O-Ring, 45 Deg.
21	5023267SM	2	FITTING, O-Ring, 90 Deg.
22	5022920SM	2	FITTING, TEE, 3/8" Hose
23	5023346SM	1	FITTING, O-Ring, 90 Deg.
24	5023461SM	3	FITTING, O-Ring, 45 Deg.
25	5023096SM	1	FILTER HEAD
26	1719168SM	1	FILTER
27	5050860X6P5SM	2	HOSE, Hydraulic, 6-1/2"
28	5023373SM	1	HYDRAULIC PUMP, RH (S/N: 2012607199 & BELOW)
28	5023371SM	1	FAN SHROUD (S/N: 2012607199 & BELOW)
28	5100333SM	1	FAN, HYD. PUMP
29	5023372SM	1	HYDRAULIC PUMP, LH (S/N: 2012607199 & BELOW)
29	5023371SM	1	FAN SHROUD (S/N: 2012607199 & BELOW)
29	5100333SM	1	FAN, HYD. PUMP
30	5050860X6SM	2	HOSE, Hydraulic, 6"
31	5025128SM	4	NUT, 3/8-16 Hex Serrated Flange
32	5025013X10SM	4	BOLT, 3/8-16 X 1-1/4"
33	5025010X6SM	2	BOLT, 1/4"-20 X 3/4"
34	5025169SM	2	WASHER, 1/4" LOCK
35	5025154SM	2	WASHER, 1/4" SAE
36	5025203X16SM	2	PIN, COTTER
37	5100877SM	2	WHEEL MOTOR, COMPLETE (S/N: 2012607200 & ABOVE)
38	5100670SM	1	HYDRAULIC PUMP, LH (S/N: 2012607200 & ABOVE)
38	5100162SM	1	FAN SHROUD (S/N: 2012607200 & ABOVE)
39	5100671SM	1	HYDRAULIC PUMP, RH (S/N: 2012607200 & ABOVE)

Footnotes

The above parts group applies to the following Mfg. Nos.:

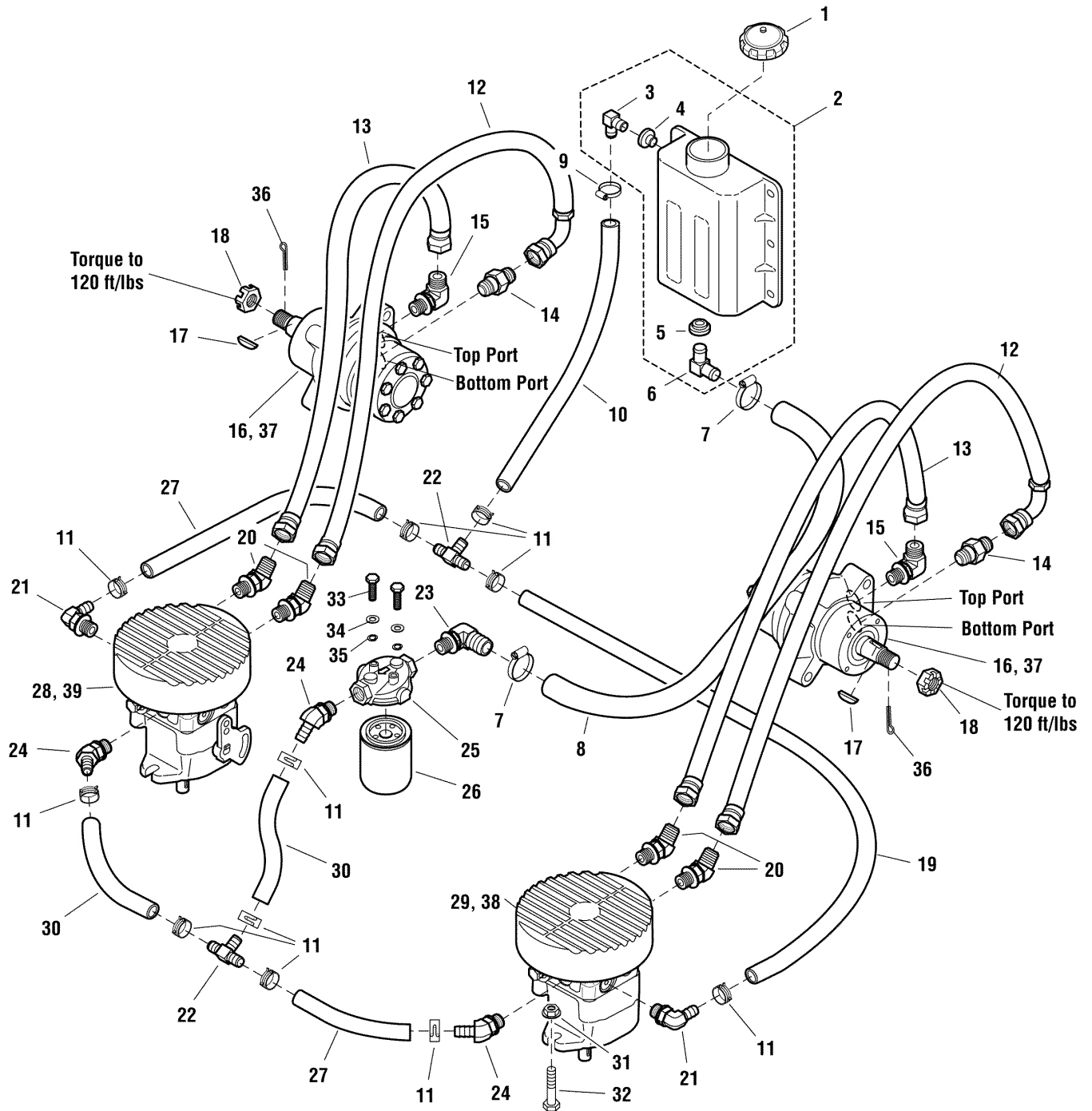
2690444 - Citation

2690445 - Citation

Hydraulic Group

NOTE: Unless noted otherwise, use the standard hardware torque specification chart.

287hyd0



The above parts group applies to the following Mfg. Nos.:

2690444 - Citation

2690445 - Citation

Hydraulic Group

REF NO.	PART NO.	QTY.	DESCRIPTION
39	5100162SM	1	FAN SHROUD (S/N: 2012607200 & ABOVE)

Footnotes

The above parts group applies to the following Mfg. Nos.:

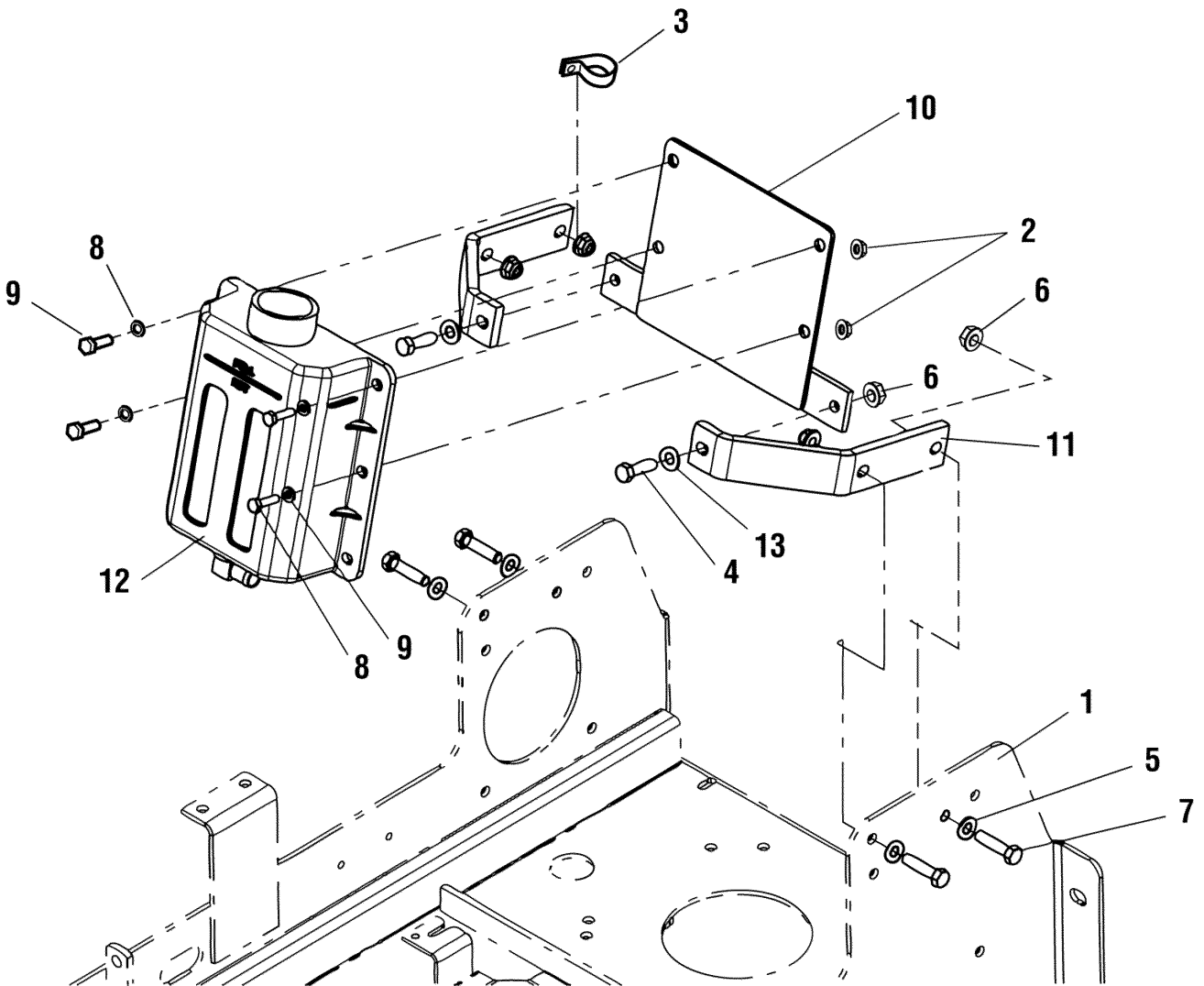
2690444 - Citation

2690445 - Citation

Hydraulic Mount Group

287hyt0

NOTE: Unless noted otherwise,
use the standard hardware torque
specification chart.



The above parts group applies to the following Mfg. Nos.:

2690444 - Citation

2690445 - Citation

Hydraulic Mount Group

REF NO.	PART NO.	QTY.	DESCRIPTION
1	-	-	MAIN FRAME
2	5025391SM	4	NUT, 1/4-20 HEX NYLOCK FLANGE
3	5023173SM	1	CLAMP, VINYL, 1"
4	5025013X10SM	2	BOLT, 3/8-16 X 1-1/4"
5	5025156SM	4	WASHER, 3/8" SAE
6	5025394SM	6	NUT, 3/8-16 Hex Nylock Flange
7	5025013X12SM	4	BOLT, 3/8-16 X 1-1/2"
8	5025154SM	4	WASHER, 1/4" SAE
9	5025010X8SM	4	BOLT, 1/4-20 X 1"
10	5061747CSM	1	HYDRAULIC TANK MOUNT
11	5061746CSM	2	MOUNT BRACKET
12	-	1	HYDRAULIC TANK
13	5025293SM	2	WASHER, 3/8" GR. 9 FLAT

Footnotes

The above parts group applies to the following Mfg. Nos.:

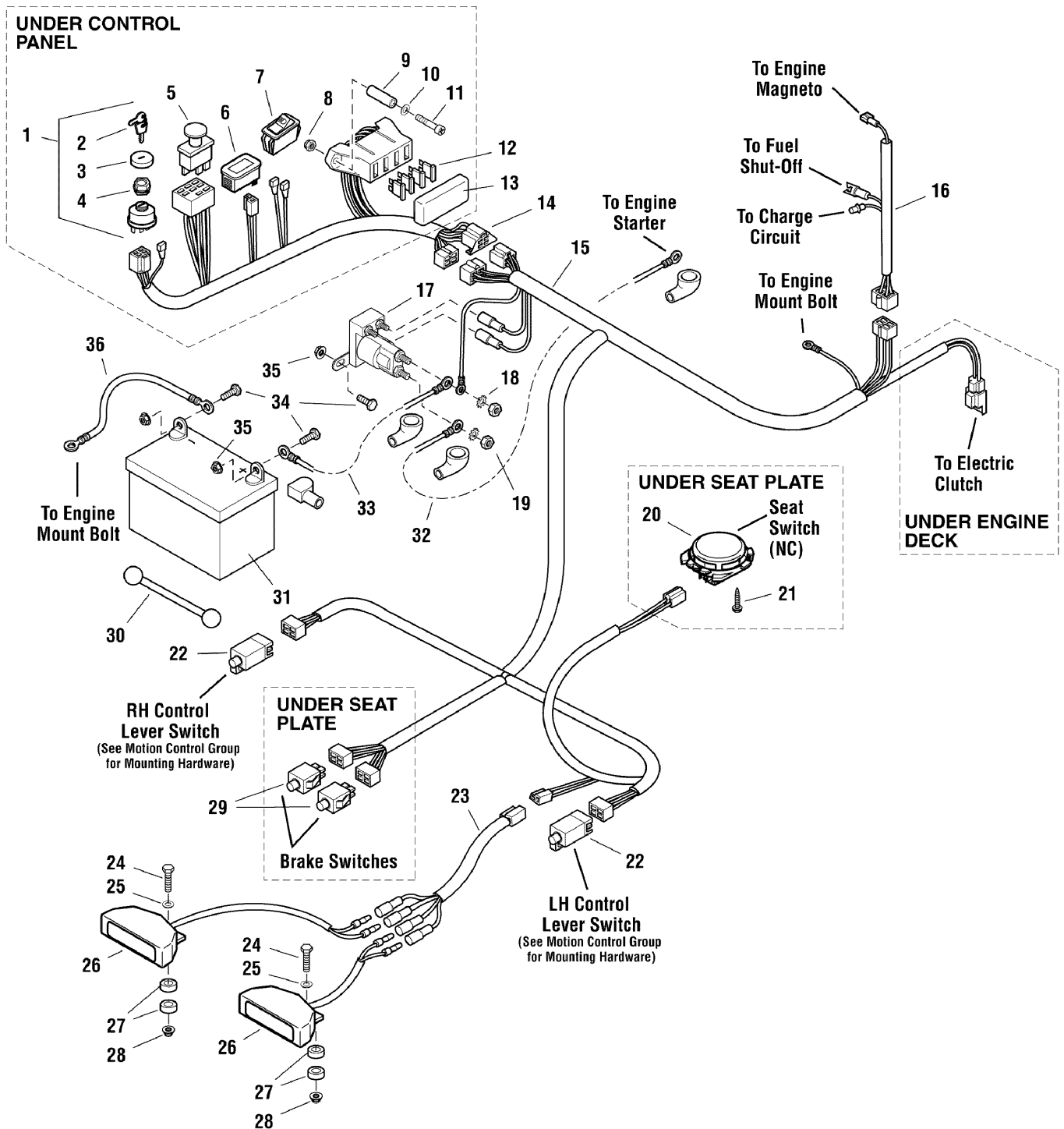
2690444 - Citation

2690445 - Citation

Electrical Group

NOTE: Unless noted otherwise, use the standard hardware torque specification chart.

287egb1



The above parts group applies to the following Mfg. Nos.:

- 2690444 - Citation
- 2690445 - Citation

Electrical Group

REF NO.	PART NO.	QTY.	DESCRIPTION
1	1686734SM	1	SWITCH, Ignition, Complete
2	1717163SM	1	KEY, Ignition Molded
3	1704346SM	1	COVER
4	5022791SM	1	PLASTIC NUT
5	1722887SM	1	SWITCH, PTO
6	1731184SM	1	HOUR METER
7	1703799SM	1	HEADLIGHT SWITCH
8	5025271SM	2	NUT, #10-24 Hex Nylon Lock
9	5061763SM	2	SPACER, .20 x .38 x 1.25
10	5023499SM	2	WASHER, #10 SAE
11	5025270X16SM	2	SCREW, #10-24 x 2"
12	5021603SM	4	FUSE, 20A
13	5022805SM	1	FUSE BLOCK COVER
14	5400067SM	1	HARNESS ASSEMBLY, Control Panel
15	5400068SM	1	HARNESS ASSEMBLY, Main
16	5049974SM	1	ENGINE HARNESS
17	1686981SM	1	SOLENOID
18	5023217SM	2	WASHER, Light Lock, 5/16
19	2820438SM	2	NUT, Hex Jam, 5/16-24
20	1716368SM	1	SWITCH, Seat, Gray, NC (BOLT-IN)
20	1718981SM	1	SWITCH, Seat, Gray, NC (TWIST-IN)
21	1960536SM	2	BOLT, Hex Washer Head PLASTITE, 1/4 X 1/2
22	5022095SM	2	SWITCH, Plunger, NO/NC
23	5061793SM	1	HEADLIGHT HARNESS
24	5025010X10SM	2	BOLT, 1/4-20 X 1-1/4
25	5025154SM	2	WASHER, 1/4" SAE
26	5023482SM	2	HEADLIGHT
27	5044933SM	4	SPACER, .39 X .75 X .38
28	5025391SM	2	NUT, 1/4-20 Hex Nylock Flange
29	5022182SM	2	SWITCH, Plunger, Snap-In, NO/NC
30	1722009SM	1	STRAP, BATTERY, 14 LONG, Rubber
31	-	1	BATTERY, Lawn & Garden, 12V (BCIU1, 340 CCA)
32	5023488SM	1	POSITIVE (+) BATTERY CABLE, 22"
33	5021405SM	1	POSITIVE (+) BATTERY CABLE, 22"
34	5025010X6SM	4	BOLT, 1/4-20 x 3/4
35	5025126SM	4	NUT, 1/4-20 Hex Serrated Flange
36	5044014SM	1	CABLE, Ground

Footnotes

The above parts group applies to the following Mfg. Nos.:

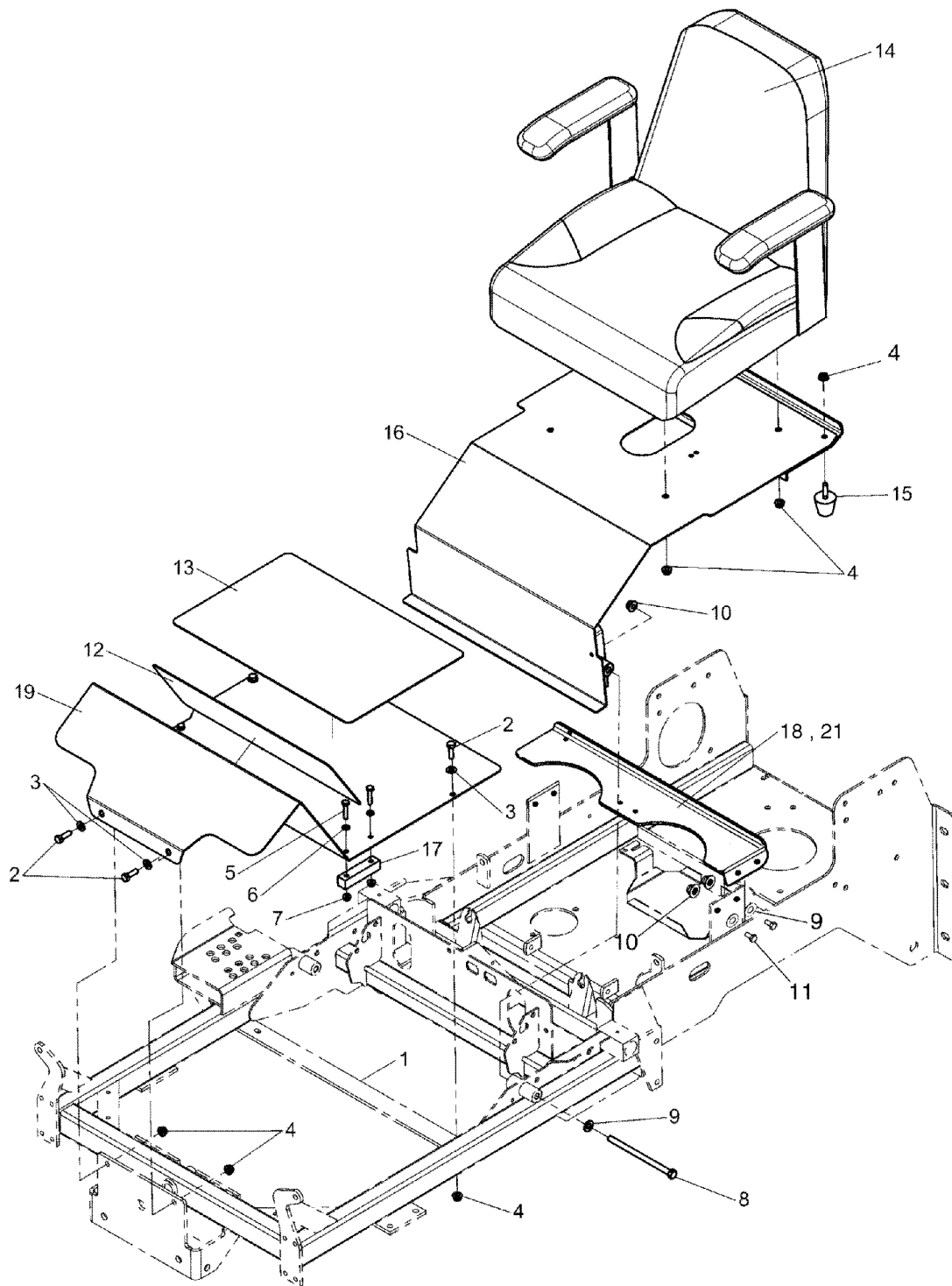
2690444 - Citation

2690445 - Citation

Seat, Mount & Floor Group

NOTE: Unless noted otherwise,
use the standard hardware torque
specification chart.

287stm0



The above parts group applies to the following Mfg. Nos.:

2690444 - Citation

2690445 - Citation

Seat, Mount & Floor Group

REF NO.	PART NO.	QTY.	DESCRIPTION
1	-	-	MAIN FRAME
2	5025011X8SM	4	BOLT, 5/16-18 X 1
3	5025292SM	4	WASHER 5/16" Gr. 9 Flat
4	5025392SM	10	NUT, 5/16-18 Hex Nylock Flange
5	5025010X10SM	4	BOLT, 1/4-20 X 1-1/4
6	5025154SM	4	WASHER, 1/4" SAE
7	5025391SM	4	NUT, 1/4-20 Hex Nylock Flange
8	5025013X48SM	2	BOLT, 3/8-16 X 6
9	5025156SM	6	WASHER 3/8" SAE
10	5025394SM	4	NUT, 3/8-16 Hex Nylock Flange
11	5025013X8SM	4	BOLT, 3/8-16 X 1" GD5 YZ
12	5049979SM	1	SAFETY WALK, FLOOR REST
13	5049978SM	1	SAFETY WALK, FLOOR PLATE
14	5061599SM	1	SEAT, BLACK
15	5022612SM	2	RUBBER BUMPER
16	5401389SM	1	SEAT PLATE (Includes Safety Decal.)
17	5100643SM	2	BLOCK, DECK LIFT SUPPORT
18	5400849CSM	1	SUPPORT, SEAT PLATE (S/N: 2012619803 & Below)
19	5049953CSM	1	PLATE, FLOOR
20	1686907SM	1	ARM REST (SET OF 2)
21	5403632CSM	1	PLATE, SEAT SUPPORT - ORG (S/N: 2012619804 & Above)

Footnotes

The above parts group applies to the following Mfg. Nos.:

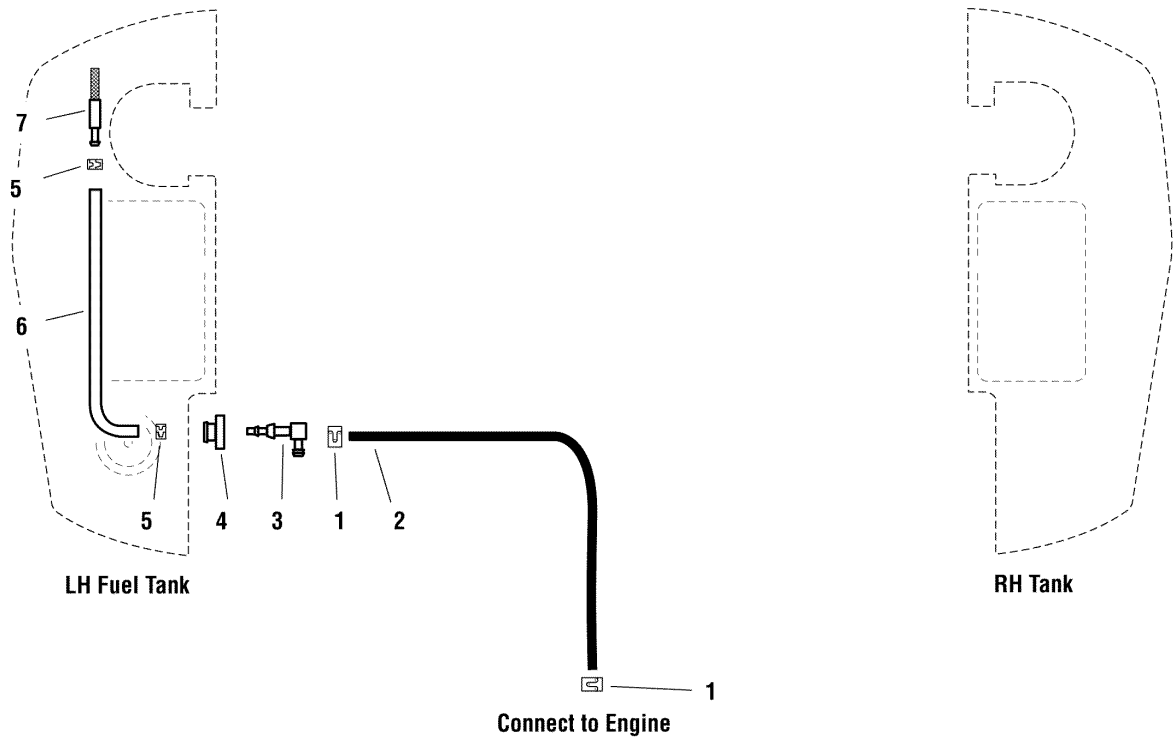
2690444 - Citation

2690445 - Citation

Fuel Supply Hose Group & Tank Replacement Parts Group

287fsh0

NOTE: Unless noted otherwise,
use the standard hardware torque
specification chart.



The above parts group applies to the following Mfg. Nos.:

2690444 - Citation

2690445 - Citation

Fuel Supply Hose Group & Tank Replacement Parts Group

REF NO.	PART NO.	QTY.	DESCRIPTION
1	5020835SM	2	CLAMP, HOSE, EXTERNAL, 1/2 - RED
2	5050831X16SM	1	HOSE, 1/4" FUEL, 16.00"
3	5023061SM	1	ELBOW FITTING
4	5600050SM	1	FUEL BUSHING
5	5020835SM	2	HOSE CLAMP, INTERNAL
6	5050925X26SM	1	HOSE 26"
7	5023067SM	1	SCREEN FITTING

Footnotes

The above parts group applies to the following Mfg. Nos.:

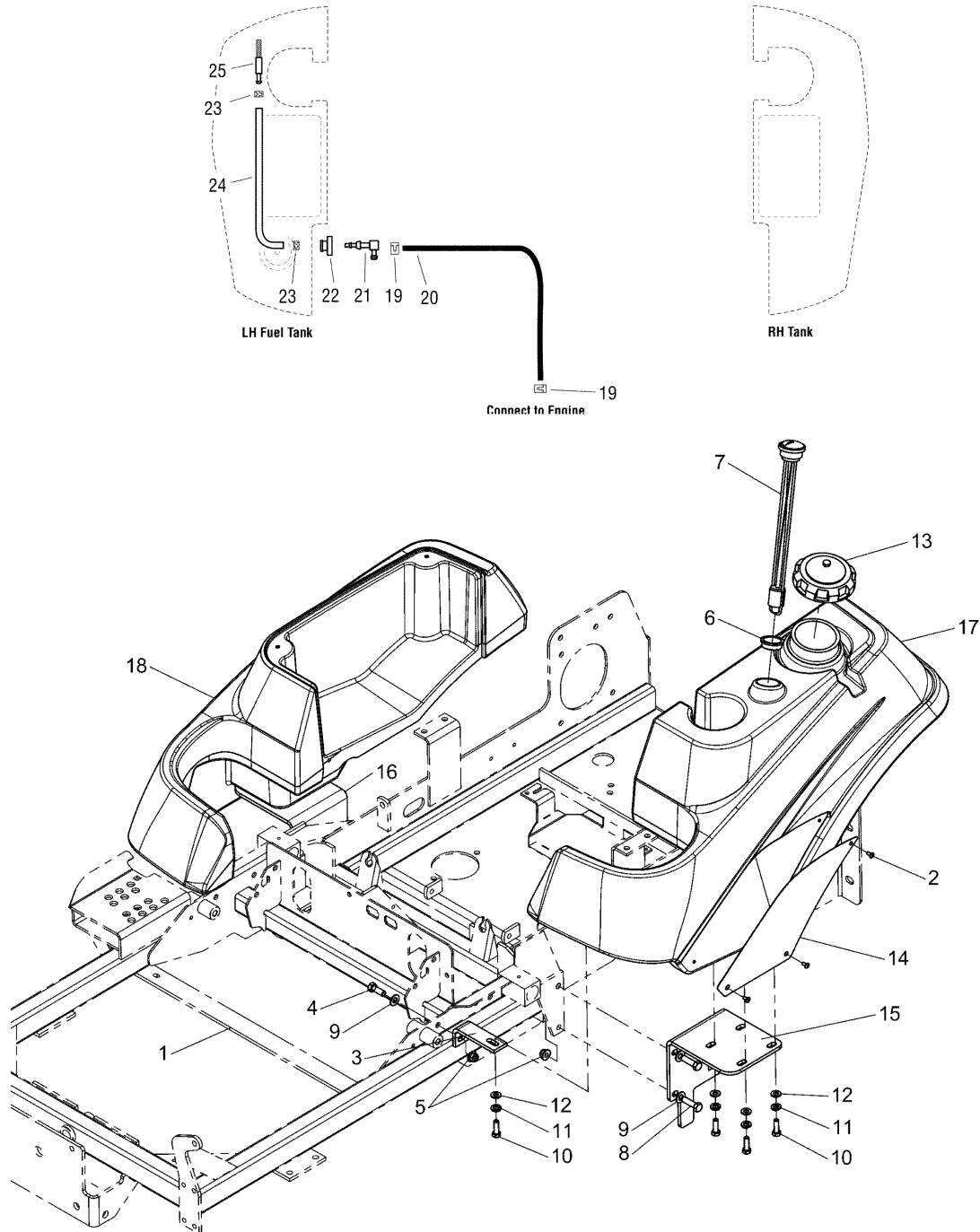
2690444 - Citation

2690445 - Citation

Fuel Tank & Mount Group

287tnk0

NOTE: Unless noted otherwise,
use the standard hardware torque
specification chart.



The above parts group applies to the following Mfg. Nos.:

2690444 - Citation

2690445 - Citation

Fuel Tank & Mount Group

REF NO.	PART NO.	QTY.	DESCRIPTION
1	-	-	MAIN FRAME
2	5025386SM	6	SCREW, Allen Head, #10-24 x 3/8"
3	5400012CSM	2	MOUNT, TANK, FRONT
4	5025013X8SM	2	BOLT, 3/8-16 X 1" GD5
5	5025394SM	6	NUT, 3/8-16 Hex Nylock Flange
6	5022917X1SM	1	GROMMET
7	5022917SM	1	GAUGE, FUEL LEVEL
8	5025013X10SM	4	BOLT, 3/8-16 X 1-1/4"
9	5025293SM	6	WASHER 3/8" GD.9 FLAT
10	5025011X8SM	10	BOLT, 5/16-18 X 1"
11	5025170SM	10	WASHER, 5/16" Lock
12	5025292SM	10	WASHER, 5/16" GD.9 FLAT
13	5022158SM	1	FUEL TANK CAP
14	5400250CSM	2	PLATE, BADGE
15	5049942CSM	1	TANK MOUNT - LH
16	5049941CSM	1	TANK MOUNT - RH
17	5049947SM	1	TANK, FUEL - LH
18	5049948SM	1	TANK - RH
19	5020835SM	2	CLAMP, HOSE, EXTERNAL, 1/2 - RED
20	5050831X16SM	1	HOSE, 1/4" FUEL, 16.00"
21	5023061SM	1	ELBOW FITTING
22	5600050SM	1	FUEL BUSHING
23	5020835SM	2	HOSE CLAMP, INTERNAL
24	5050925X26SM	1	HOSE 26"
25	5023067SM	1	SCREEN FITTING

Footnotes

The above parts group applies to the following Mfg. Nos.:

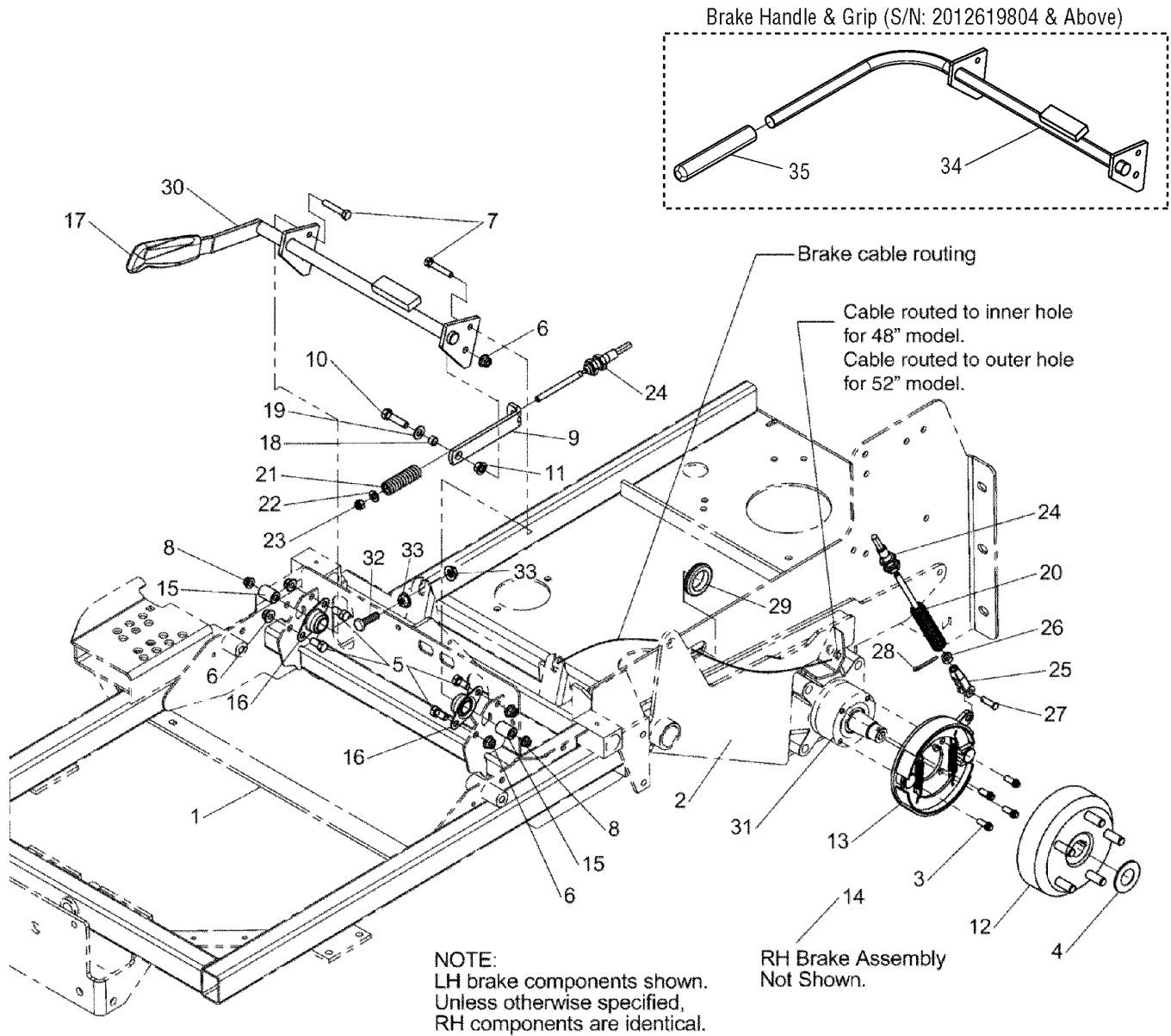
2690444 - Citation

2690445 - Citation

Parking Brake Group

NOTE: Unless noted otherwise, use the standard hardware torque specification chart.

287pbr0



The above parts group applies to the following Mfg. Nos.:

- 2690444 - Citation
- 2690445 - Citation

Parking Brake Group

REF NO.	PART NO.	QTY.	DESCRIPTION
1	-	-	MAIN FRAME
2	-	-	MOTOR MOUNT
3	5023490SM	8	BOLT, 5/16-18 X 3/4 12PT FLANGE - PATCH
4	5023249SM	2	WASHER, 1 x 2
5	5025013X6SM	4	BOLT, 3/8-16 X 3/4"
6	5025394SM	6	NUT, 3/8-16 Hex Nylock Flange
7	5025011X14SM	2	BOLT, 5/16-18 X 1-3/4"
8	5025392SM	2	NUT, 5/16-18 Hex Nylock Flange
9	5061794CSM	2	BRAKE LOCK LINK
10	5025013X12SM	2	BOLT, 3/8-16 X 1-1/2"
11	5025128SM	2	NUT, 3/8-16 Hex Serrated Flange
12	5023368SM	2	WHEEL & BRAKE HUB
13	5023500SM	1	BRAKE ASSEMBLY, LH
14	5023501SM	1	BRAKE ASSEMBLY, RH
15	5042134SM	2	SPACER, .32 X .75 X 1.06
16	5021098SM	2	BEARING, Flange
17	5100171SM	1	GRIP, BLACK FLEXIBLE
18	5041930SM	2	SPACER, .38 X .50 X .27
19	5025156SM	2	WASHER, 3/8" SAE
20	5023320SM	2	SPRING, Compression
21	5022361SM	2	SPRING, Compression
22	5025155SM	2	WASHER, 5/16" SAE
23	5025045SM	2	NUT, 5/16-24 Hex Nylon Lock
24	5100087SM	2	PARKING BRAKE CABLE (S/N: 2012619803 & Below)
25	5020979SM	2	CLEVIS, 5/16-24, Plastic
26	5025033SM	2	NUT, 5/16-24 Hex
27	5025213X8SM	2	CLEVIS PIN, 5/16" X 1"
28	5025211SM	2	PIN, HAIR, .0585" X 1-1/8"
29	5021397SM	2	GROMMET, 1-1/4"
30	5049831CSM	1	BRAKE SHAFT (S/N: 2012619803 & Below)
31	-	-	WHEEL MOTOR
32	5025011X9SM	1	BOLT, 5/16"-18 X 1 1/8"
33	5025139SM	2	NUT, 5/16"-18 SERR. LG. FLANGE
34	5403631CSM	1	WELD, BRAKE SHAFT - ORANGE (S/N: 2012619804 & Above)
35	5101038SM	1	GRIP, FOAM 3/4 ID X 6 X .187 (S/N: 2012619804 & Above)

Footnotes

The above parts group applies to the following Mfg. Nos.:

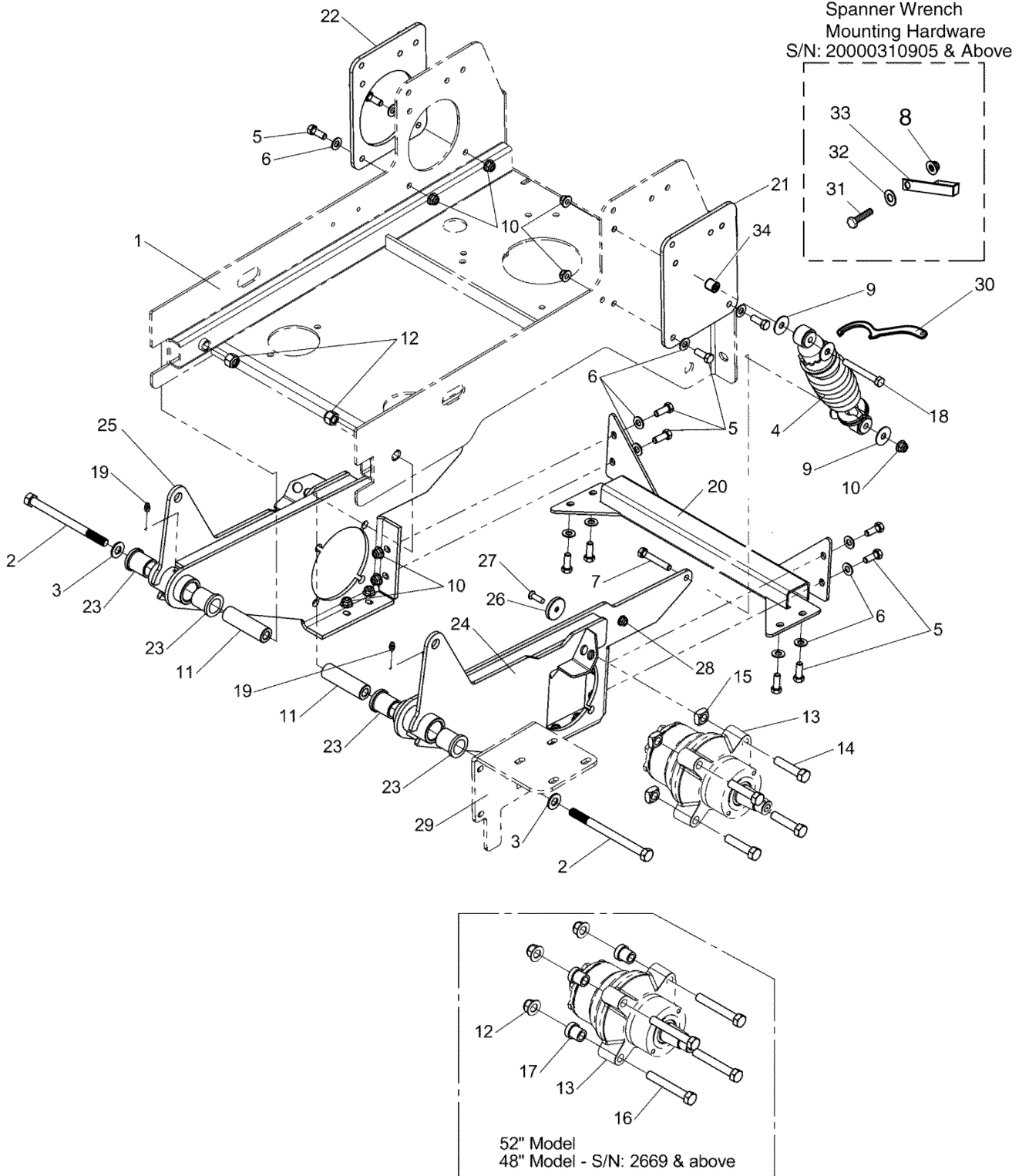
2690444 - Citation

2690445 - Citation

Rear Suspension Group

287susr0

NOTE: Unless noted otherwise, use the standard hardware torque specification chart.



The above parts group applies to the following Mfg. Nos.:

2690444 - Citation

2690445 - Citation

Rear Suspension Group

REF NO.	PART NO.	QTY.	DESCRIPTION
1	-	-	MAIN FRAME
2	5025017X52SM	2	BOLT, 1/2-13 X 6-1/2"
3	5025158SM	10	WASHER, 1/2" SAE
4	5023436SM	2	SHOCK ASSEMBLY
5	5025013X10SM	12	BOLT, 3/8-16 X 1-1/4"
6	5025293SM	12	WASHER, 3/8" GR. 9 FLAT
7	5025013X18SM	2	BOLT, 3/8-16 X 2-1/4"
8	5025391SM	1	NUT, 1/4" -20 NYLOCK FLANGE
9	5025165SM	8	WASHER, 3/8" FENDER
10	5025394SM	16	NUT, 3/8-16 Hex Nylock Flange
11	5061339SM	2	SPACER, .52 X 1.00 X 3.42
12	5025396SM	8	1/2 - 13 NYLOCK FLANGE NUT
13	-	-	WHEEL MOTOR
14	5023481SM	4	BOLT, 1/2-13 X 2-1/4" w/ Loctite Patch
15	5025330SM	4	NUT, 1/2-13 Square
16	5025017X28SM	8	BOLT, 1/2-13 X 3-1/2"
17	5061670SM	8	SPACER, .53 X 1.00 X 1.00
18	5025013X28SM	2	BOLT, 3/8-16 X 3 1/2"
19	5020020SM	2	GREASE FITTING
20	5404064CSM	1	TIE BAR - 48" MODELS ONLY
20	5404065CSM	1	TIE BAR - 52" MODELS ONLY
21	5061751CSM	1	PLATE, FRAME SUPPORT
22	5061753CSM	1	FRAME SUPPORT, RH
23	5021541SM	4	BUSHING, Flange
24	5401357CSM	1	MOTOR MOUNT, RH
24	5401166CSM	1	MOTOR MOUNT, RH
25	5401356CSM	1	MOTOR MOUNT, LH
25	5401165CSM	1	MOTOR MOUNT, LH
26	5400065SM	2	SPACER, .34 X 1.54 X .25
27	5025303SM	2	SCREW, 5/16-18 X 1
28	5025392SM	2	NUT, 5/16-18 Hex Nylock Flange
29	-	-	TANK MOUNT
30	5022853SM	1	SPANNER WRENCH
31	5025010X6SM	1	BOLT 1/4-20 X 3/4"
32	5025154SM	1	WASHER, 1/4" SAE
33	5025340SM	1	CLAMP, DOUBLE TUBE
34	5100896SM	2	SPACER,.390 X 1.00 X 1.00 - YZ

Footnotes

The above parts group applies to the following Mfg. Nos.:

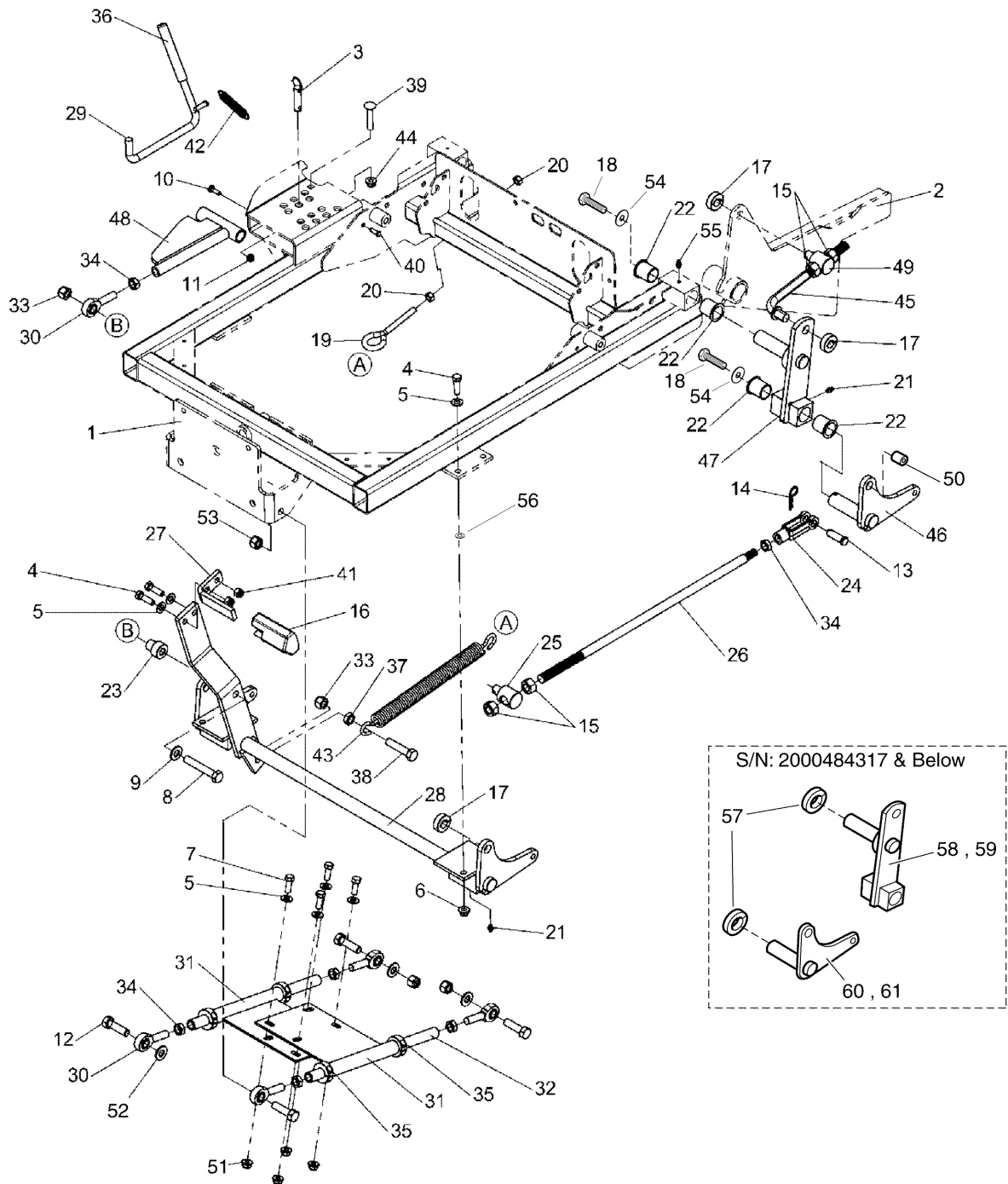
2690444 - Citation

2690445 - Citation

Deck Lift Group - S/N: 2013202961 & Below

287d1t0

NOTE: Unless noted otherwise,
use the standard hardware torque
specification chart.



The above parts group applies to the following Mfg. Nos.:

- 2690444 - Citation
- 2690445 - Citation

Deck Lift Group - S/N: 2013202961 & Below

REF NO.	PART NO.	QTY.	DESCRIPTION
1	-	-	MAIN FRAME
2	-	-	MOTOR MOUNT
3	5023498SM	1	HITCH PIN, 1/2 X 2"
4	5025013X10SM	6	BOLT, 3/8-16 X 1-1/4"
5	5025293SM	10	WASHER, 3/8 GR. 9 FLAT
6	5025394SM	8	NUT, 3/8-16 Hex Nylock Flange
7	5025013X8SM	4	BOLT, 3/8-16 X 1"
8	5025017X24SM	1	BOLT, 1/2-13 X 3"
9	5025158SM	4	WASHER, 1/2" SAE
10	5025010X5SM	2	BOLT, 1/4-20 x 5/8"
11	5025126SM	2	NUT, 1/4-20 Hex Serrated Flange
12	5025018X14SM	4	BOLT, 1/2-20 X 1-3/4"
13	5025328X12SM	2	CLEVIS PIN, 1/2" X 1-1/2"
14	1918196SM	2	HAIR PIN CLIP
15	5025040SM	8	NUT, 5/8-11 HEX
16	1715834SM	1	FOOT PEDAL
17	5020441SM	6	COLLAR, 5/8" Split
18	5025443SM	4	BOLT, 3/8-16X3/4 WITH PATCH (S/N: 2000484318 - 2013202961)
19	5023497SM	1	EYE BOLT, 3/8-16 X 6"
20	1916950SM	2	NUT, 3/8-16 Hex
21	5020095SM	4	GREASE FITTING
22	5023343SM	8	BUSHING, Flange
23	5047103SM	1	ADAPTER, CASTER AXLE
24	5023174SM	2	CLEVIS , 1/2-20, STEEL
25	5045447SM	2	SPRING ROD PIVOT
26	5049971SM	2	DECK ADJUSTMENT ROD
27	5061569CSM	1	FOOT PEDAL MOUNT
28	5049839CSM	1	DECK LIFT SHAFT
29	5061527CSM	1	DECK LIFT LOCK ROD
30	5022434SM	5	BALL JOINT, 1/2-20 Male
31	5049867CSM	2	DECK STABILIZER
32	5049868SM	2	DECK STABILIZER SHAFT
33	5025056SM	2	NUT, 1/2-13 Hex Nylon Lock
34	5025089SM	7	NUT, 1/2-20 Hex Jam
35	5010114SM	4	COLLAR, 3/4" Split
36	5021880SM	1	GRIP
37	5025301SM	1	NUT, 1/2-13 Hex Jam
38	5025017X18SM	1	BOLT, 1/2-13 X 2-1/4"
39	5025146X16SM	1	CARRIAGE BOLT, 3/8-16 X 2"
40	5025412SM	1	CLEVIS PIN, 1/4" x 3/4"
41	5025096SM	2	NUT, 3/8-16 Hex Nylon Lock
42	5020639SM	1	SPRING, Extension
43	5023355SM	1	DECK LIFT SPRING
44	5025100SM	1	NUT, 3/8"-16 SIDE LOCK

Footnotes

The above parts group applies to the following Mfg. Nos.:

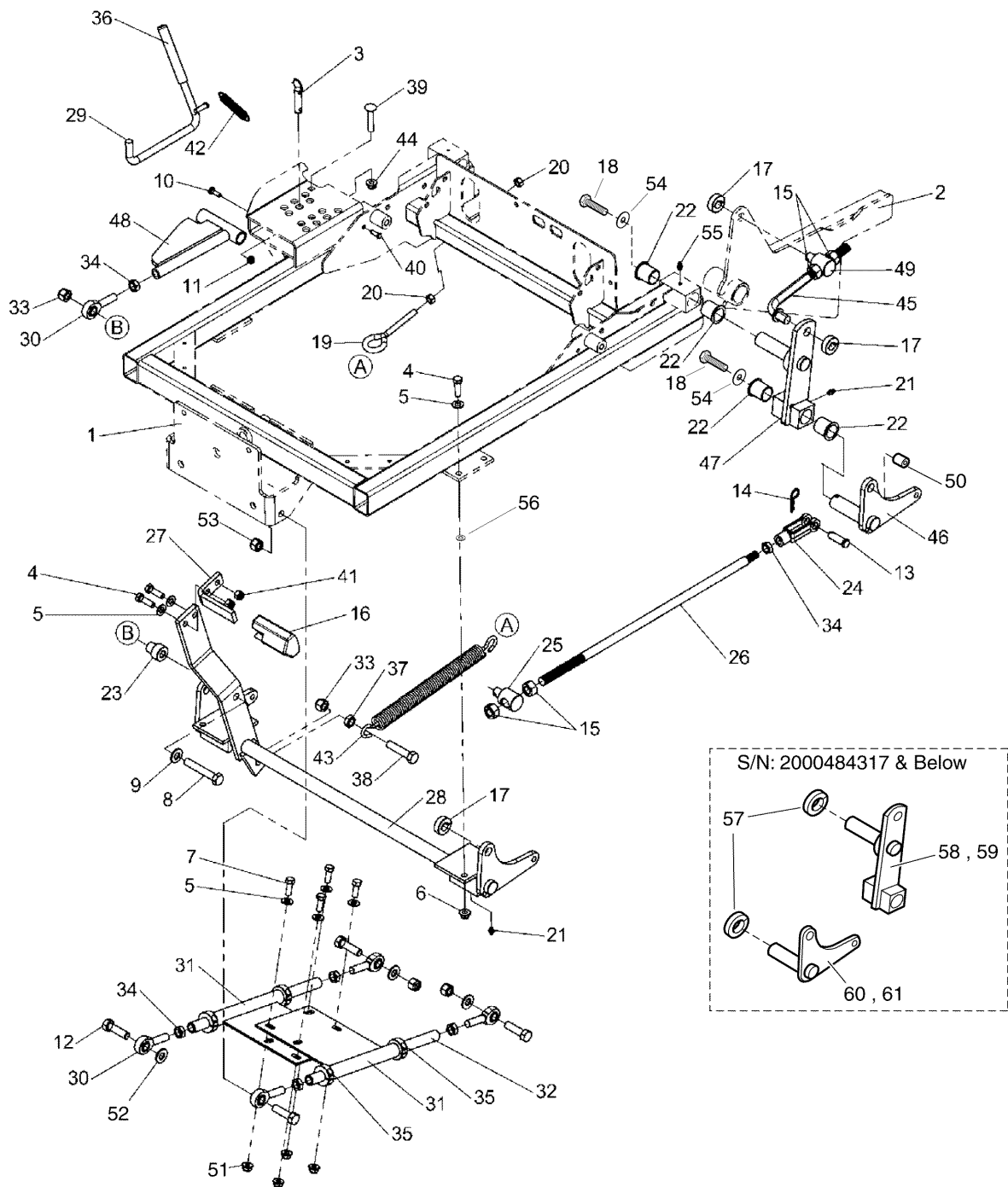
2690444 - Citation

2690445 - Citation

Deck Lift Group - S/N: 2013202961 & Below

NOTE: Unless noted otherwise,
use the standard hardware torque
specification chart.

287d1t0



The above parts group applies to the following Mfg. Nos.:

- 2690444 - Citation
- 2690445 - Citation

Deck Lift Group - S/N: 2013202961 & Below

REF NO.	PART NO.	QTY.	DESCRIPTION
45	5049848SM	2	DECK LIFT ROD
46	5402814CSM	1	DECK LIFT PIVOT, LH (S/N: 2000484318 - 2013202961)
46	5402815CSM	1	DECK LIFT PIVOT, RH (S/N: 2000484318 - 2013202961)
47	5600216CSM	1	REAR DECK LIFT, LH (S/N: 2000484318 - 2013202961) (Includes Ref Nos 21 & 22)
47	5401666CSM	1	REAR DECK LIFT, RH (S/N: 2000484318 - 2013202961) (Includes Ref Nos 21 & 22)
48	5061523CSM	1	DECK ADJUST LINK
49	5045447SM	2	SPRING ROD PIVOT
49	5045856SM	2	SPRING ROD PIVOT
50	5061780SM	2	BUSHING, .510 X .625 X .500
51	5025128SM	4	NUT, 3/8"-16 SERRATED FLANGE
52	5025440SM	4	WASHER, 1/2" GR. 9 FLAT
53	5025098SM	4	NUT, 1/2"-20 NYLON LOCK
54	5100548SM	4	FLAT WASHER, THICK (S/N: 2000484318 - 2013202961)
55	5020020SM	2	GREASE FITTING 45
56	5025156SM	4	WASHER, 3/8" SAE
57	5020602SM	4	COLLAR, 1" SPLIT (S/N: 2000484317 & Below) (Includes Ref Nos 21 & 22)
58	5049836CSM	1	WELD, REAR LIFT, LH - ORG (S/N: 2000484317 & Below) (Includes Ref Nos 21 & 22)
59	5049837CSM	1	WELD, REAR LIFT, RH - ORG (S/N: 2000484317 & Below)
60	5045449CSM	1	WELD, PIVOT, DECK LIFT - LH - ORG (S/N: 2000484317 & Below)
61	5045450CSM	1	WELD, PIVOT, DECK LIFT - RH - ORG (S/N: 2000484317 & Below)

Footnotes

The above parts group applies to the following Mfg. Nos.:

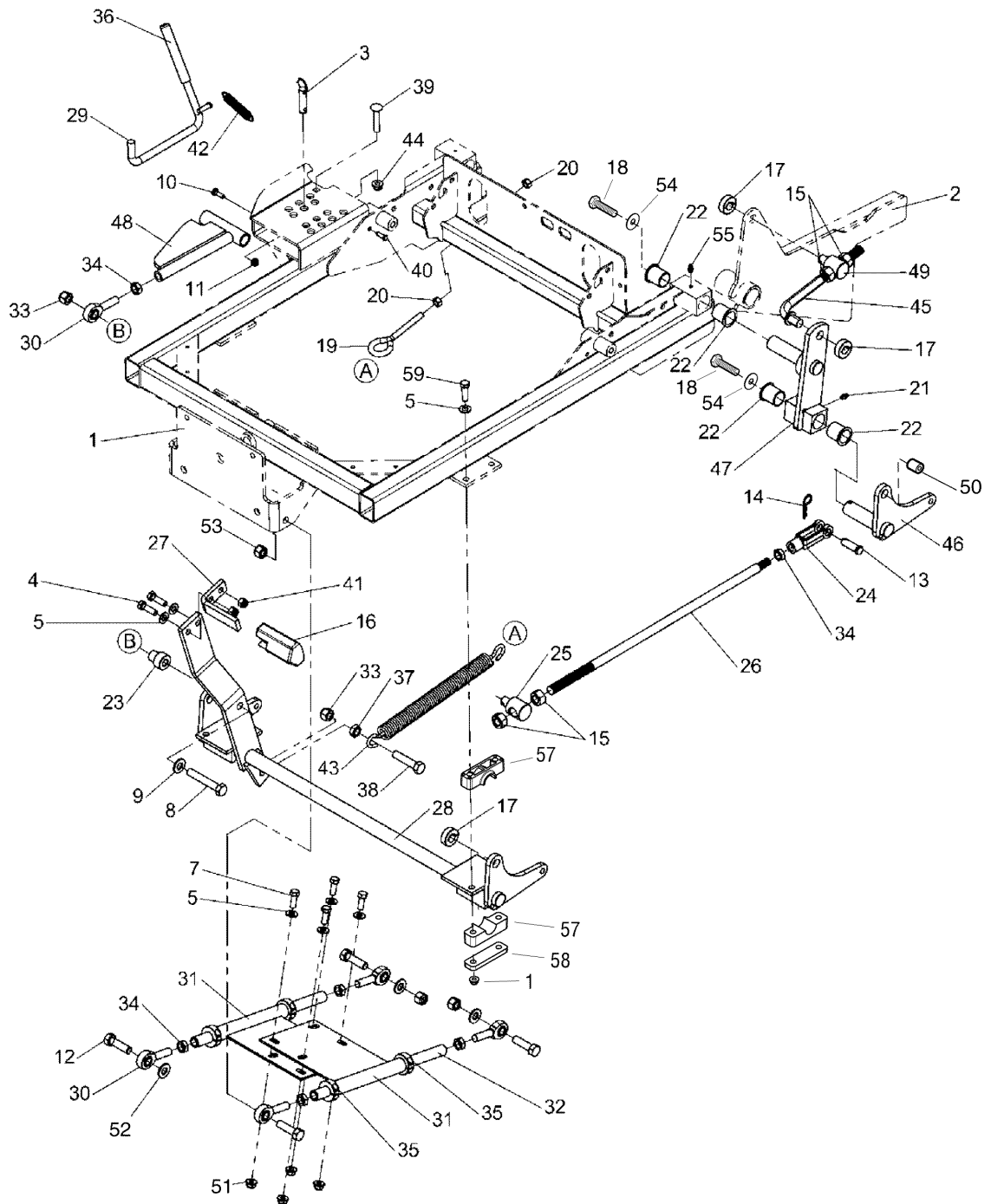
2690444 - Citation

2690445 - Citation

Deck Lift Group - S/N: 2013202962 & Above

287d1t1

NOTE: Unless noted otherwise,
use the standard hardware torque
specification chart.



The above parts group applies to the following Mfg. Nos.:

2690444 - Citation

2690445 - Citation

Deck Lift Group - S/N: 2013202962 & Above

REF NO.	PART NO.	QTY.	DESCRIPTION
1	-	-	MAIN FRAME
2	-	-	MOTOR MOUNT
3	5023498SM	1	HITCH PIN, 1/2 X 2"
4	5025013X10SM	6	BOLT, 3/8-16 X 1-1/4"
5	5025293SM	10	WASHER, 3/8 GR. 9 FLAT
6	5025394SM	8	NUT, 3/8-16 Hex Nylock Flange
7	5025013X8SM	4	BOLT, 3/8-16 X 1"
8	5025017X24SM	1	BOLT, 1/2-13 X 3"
9	5025158SM	4	WASHER, 1/2" SAE
10	5025010X5SM	2	BOLT, 1/4-20 x 5/8"
11	5025126SM	2	NUT, 1/4-20 Hex Serrated Flange
12	5025018X14SM	4	BOLT, 1/2-20 X 1-3/4"
13	5025328X12SM	2	CLEVIS PIN, 1/2" X 1-1/2"
14	1918196SM	2	HAIR PIN CLIP
15	5025040SM	8	NUT, 5/8-11 HEX
16	1715834SM	1	FOOT PEDAL
17	5020441SM	6	COLLAR, 5/8" Split
18	5025443SM	4	BOLT, 3/8-16X3/4 WITH PATCH
19	5023497SM	1	EYE BOLT, 3/8-16 X 6"
20	1916950SM	2	NUT, 3/8-16 Hex
21	5020095SM	4	GREASE FITTING
22	5023343SM	8	BUSHING, Flange
23	5047103SM	1	ADAPTER, CASTER AXLE
24	5023174SM	2	CLEVIS , 1/2-20, STEEL
25	5045447SM	2	SPRING ROD PIVOT
26	5049971SM	2	DECK ADJUSTMENT ROD
27	5061569CSM	1	FOOT PEDAL MOUNT
28	5404305CSM	1	DECK LIFT SHAFT
29	5061527CSM	1	DECK LIFT LOCK ROD
30	5022434SM	5	BALL JOINT, 1/2-20 Male
31	5049867CSM	2	DECK STABILIZER
32	5049868SM	2	DECK STABILIZER SHAFT
33	5025056SM	2	NUT, 1/2-13 Hex Nylon Lock
34	5025089SM	7	NUT, 1/2-20 Hex Jam
35	5010114SM	4	COLLAR, 3/4" Split
36	5021880SM	1	GRIP
37	5025301SM	1	NUT, 1/2-13 Hex Jam
38	5025017X18SM	1	BOLT, 1/2-13 X 2-1/4"
39	5025146X16SM	1	CARRIAGE BOLT, 3/8-16 X 2"
40	5025412SM	1	CLEVIS PIN, 1/4" x 3/4"
41	5025096SM	2	NUT, 3/8-16 Hex Nylon Lock
42	5020639SM	1	SPRING, Extension
43	5023355SM	1	DECK LIFT SPRING
44	5025100SM	1	NUT, 3/8"-16 SIDE LOCK

Footnotes

The above parts group applies to the following Mfg. Nos.:

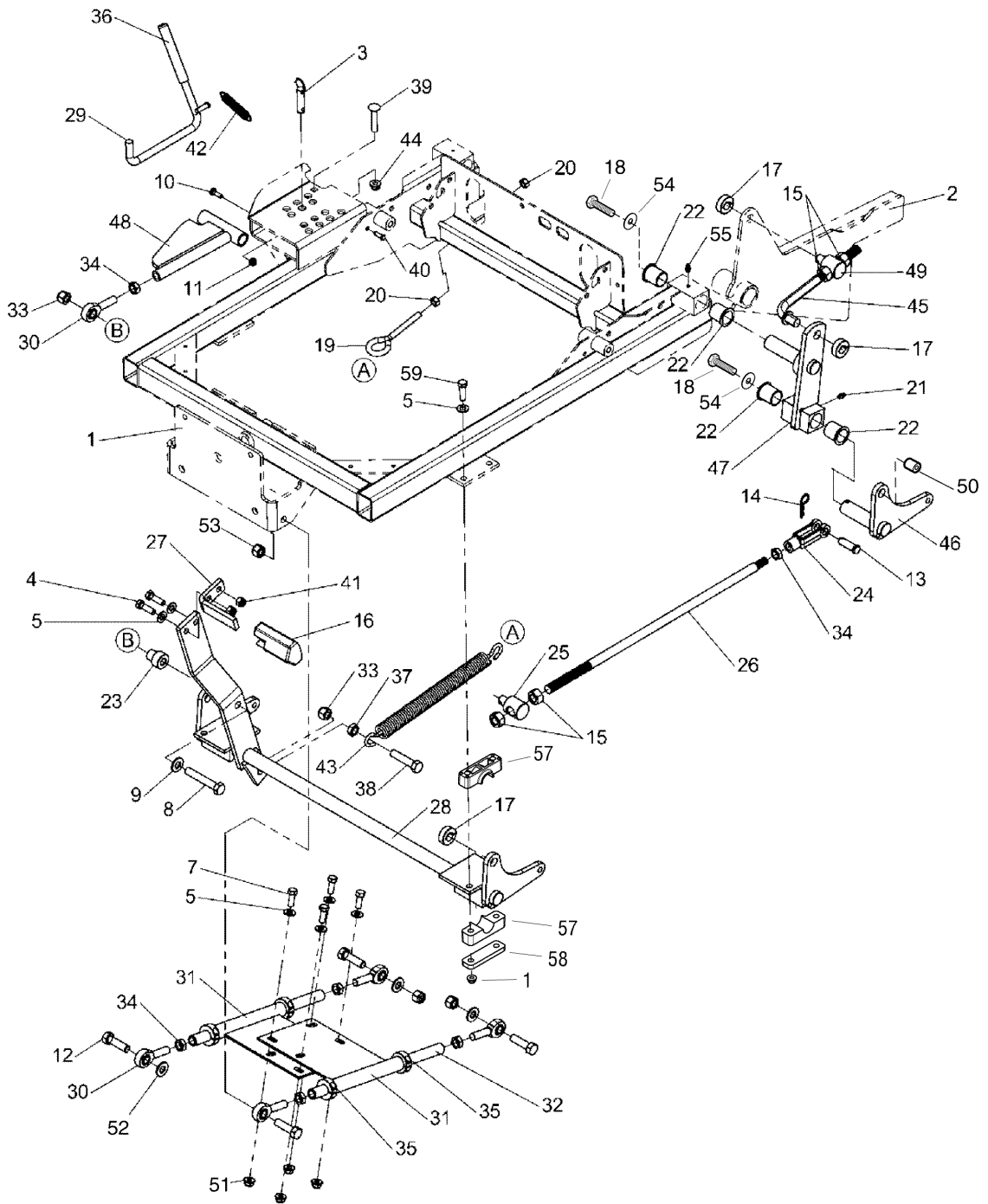
2690444 - Citation

2690445 - Citation

Deck Lift Group - S/N: 2013202962 & Above

287d1t1

NOTE: Unless noted otherwise,
use the standard hardware torque
specification chart.



The above parts group applies to the following Mfg. Nos.:

2690444 - Citation

2690445 - Citation

Deck Lift Group - S/N: 2013202962 & Above

REF NO.	PART NO.	QTY.	DESCRIPTION
45	5049848SM	2	DECK LIFT ROD
46	5402815CSM	1	DECK LIFT PIVOT, RH
46	5402814CSM	1	DECK LIFT PIVOT, LH
47	5600216CSM	1	REAR DECK LIFT, LH
47	5401666CSM	1	REAR DECK LIFT, RH
48	5061523CSM	1	DECK ADJUST LINK
49	5045447SM	2	SPRING ROD PIVOT
49	5045856SM	2	SPRING ROD PIVOT
50	5061780SM	2	BUSHING, .510 X .625 X .500
51	5025128SM	4	NUT, 3/8"-16 SERRATED FLANGE
52	5025440SM	4	WASHER, 1/2" GR. 9 FLAT
53	5025098SM	4	NUT, 1/2"-20 NYLON LOCK
54	5100548SM	4	FLAT WASHER, THICK
55	5020020SM	2	GREASE FITTING 45
56	5025156SM	4	WASHER, 3/8" SAE
57	5100634SM	4	PIVOT BLOCK, PLASTIC
58	5403925CSM	2	PLATE, PIVOT BLOCK SUPPORT - ORG
59	5025013X22SM	4	BOLT, 3/8-16 X 2-3/4 GD5 YZ

Footnotes

The above parts group applies to the following Mfg. Nos.:

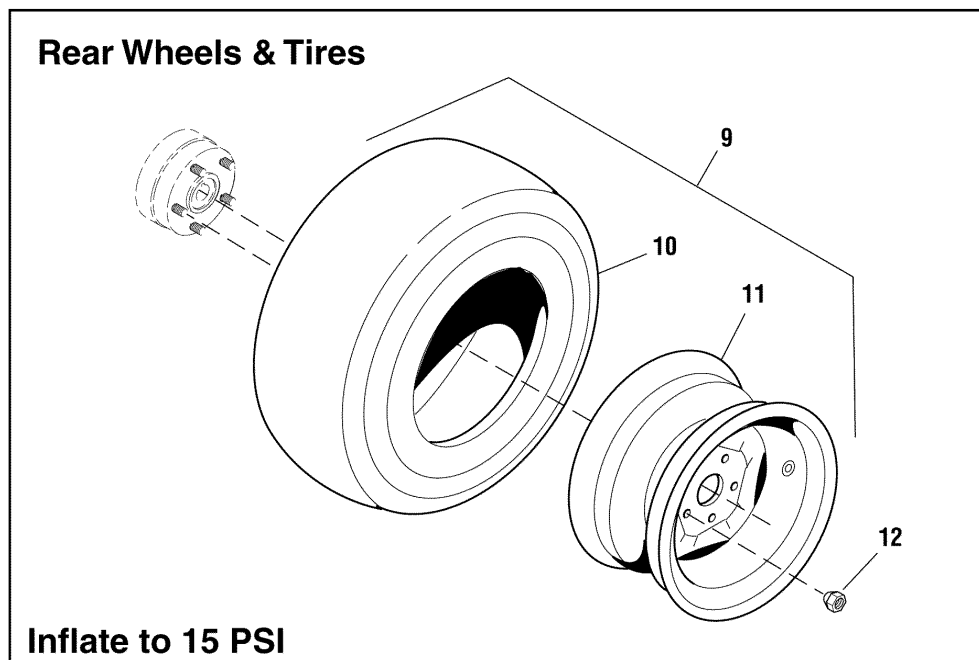
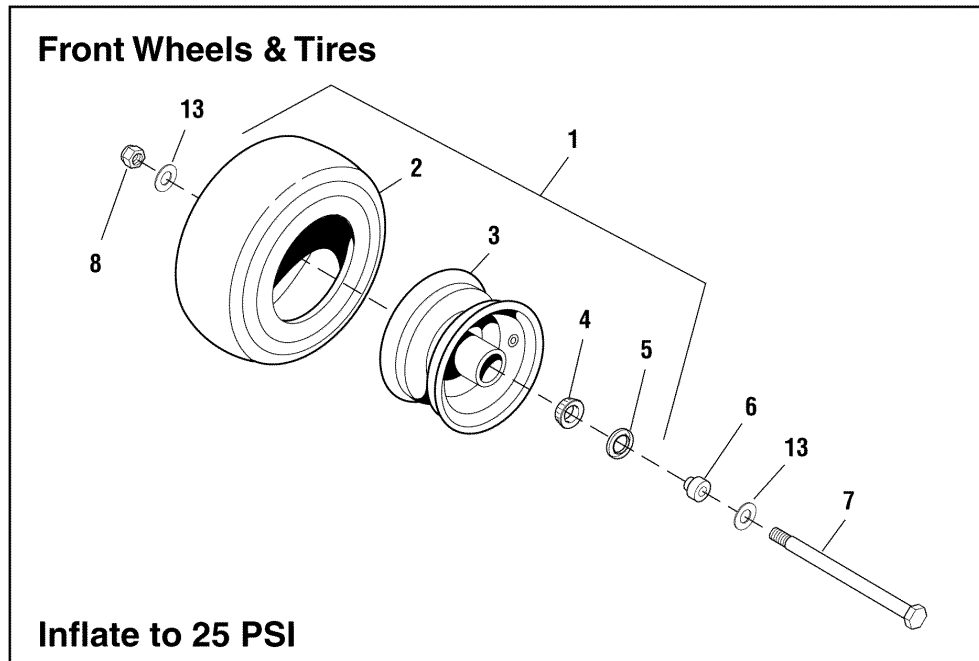
2690444 - Citation

2690445 - Citation

Wheel & Tire Group

NOTE: Unless noted otherwise,
use the standard hardware torque
specification chart.

287wh10



The above parts group applies to the following Mfg. Nos.:

2690444 - Citation

2690445 - Citation

Wheel & Tire Group

REF NO.	PART NO.	QTY.	DESCRIPTION
1	5022631SSM	2	WHEEL & TIRE ASSEMBLY, 13 x 5.0 - 6, Complete
1	5023280SM	2	* FLAT-FREE TIRE ASSEMBLY, 13 x 5.0 - 6
2	5022029X1SM	2	TIRE, 13 x 5.0 - 6
3	5022631SX1SM	2	WHEEL ASSEMBLY, for 13 x 5.0 - 6 Tire, Complete
4	5022631SX2SM	4	BEARING, Tapered Roller
5	5022631SX3SM	4	GREASE SEAL
6	5047103SM	4	ADAPTER, Caster Wheel
7	5025017X64SM	2	BOLT, 1/2-13 x 8"
8	5025056SM	2	NUT, 1/2-13 Hex Nylon Lock
9	5023369SM	2	WHEEL & TIRE ASSEMBLY, 22 x 11 - 10, Complete
10	5023369X2SM	2	TIRE, 22 X 11.0 - 10
11	5023369X1SM	2	WHEEL ASSEMBLY, 10 X 7
12	5020601SM	10	LUG NUT, 1/2-20
13	5025158SM	4	WASHER, 1/2" SAE
14	5022631SX4SM	2	BEARING, RACE (Not shown)

Footnotes

The above parts group applies to the following Mfg. Nos.:

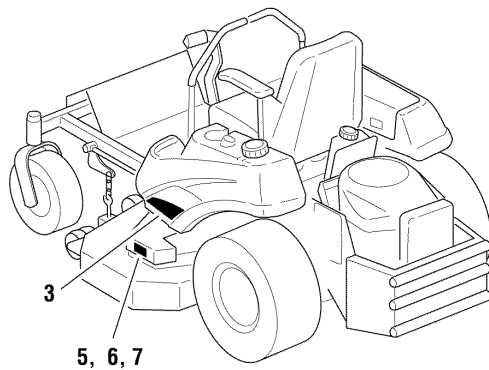
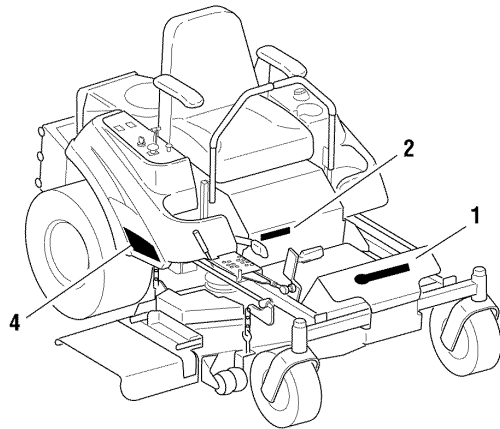
2690444 - Citation

2690445 - Citation

Decals - Brand & Model

NOTE: Unless noted otherwise,
use the standard hardware torque
specification chart.

287dclb



1 ———  **Simplicity**

2 ——— **Citation**



5 ——— **48"**

6 ——— **52"**

7 ——— **61"**

The above parts group applies to the following Mfg. Nos.:

2690444 - Citation

2690445 - Citation

Decals - Brand & Model

REF NO.	PART NO.	QTY.	DESCRIPTION
1	1722551SM	1	DECAL, Simplicity Logo
2	5061821SM	1	DECAL, Citation
3	5061817SM	1	DECAL, Badge, RH
4	5061816SM	1	DECAL, Badge, LH
5	5022811SM	1	DECAL, 48" (48" Models Only)
6	5022812SM	1	DECAL, 52" (52" Models Only)
7	5022813SM	1	DECAL, 61" (61" Models Only)

Footnotes

The above parts group applies to the following Mfg. Nos.:

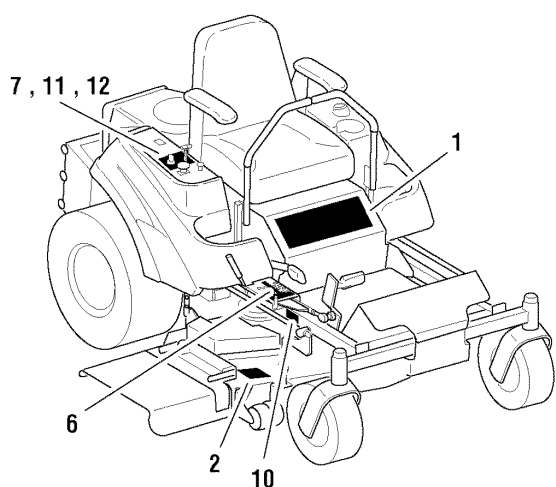
2690444 - Citation

2690445 - Citation

Decals - Safety & Operation

NOTE: Unless noted otherwise, use the standard hardware torque specification chart.

287dcl1



1



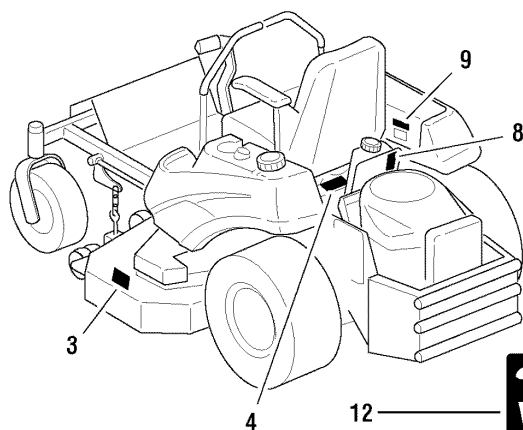
2



3



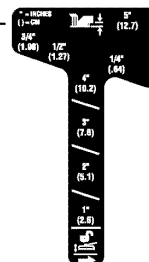
4



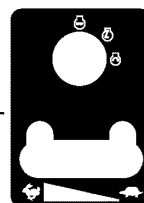
Belts & Blades	
Tractor	
Pump Drive Belt	3022314
44" Mower Deck Drive Belt	3022499
Mower Blade	1001527
45" Mower Deck Drive Belt	3022597
Mower Blade	3022643
55" Mower Deck Drive Belt	3022438
Mower Blade	3021227

5

6



7



8

HYDRAULIC OIL RESERVOIR
USE EITHER:
MOBIL 1™
15W-50 OIL
-OR-
CASTROL SYNTEC™
5W-50 OIL
DO NOT USE CONVENTIONAL OILS!

9

Key	Charge Switch	PTO Circuit	Auxiliary
20A	20A	20A	20A

The above parts group applies to the following Mfg. Nos.:

- 2690444 - Citation
- 2690445 - Citation

Decals - Safety & Operation

REF NO.	PART NO.	QTY.	DESCRIPTION
1	5100252SM	1	DECAL, Main
2	5100137SM	1	DECAL, Danger (Chute In Place)
3	5100136SM	1	DECAL, Danger (Hand Under Deck)
4	1725941SM	1	DECAL, CZT Hydro Release
5	5100668SM	1	DECAL, Belt & Blade (located under seat mount)
6	5061724SM	1	DECAL, Height of Cut
7	5061572SM	1	DECAL, Ignition / Throttle (S/N: 2012617338 & Below)
8	5048454SM	1	DECAL, Oil Reservoir
9	5046503SM	1	DECAL, Fuse Location
10	*	1	DECAL, ID Plate
11	5048970	1	DECAL, Ignition Switch (S/N: 2012617339 & Above)
12	5100280	1	DECAL, Throttle Control (S/N: 2012617339 & Above)

Footnotes

The above parts group applies to the following Mfg. Nos.:

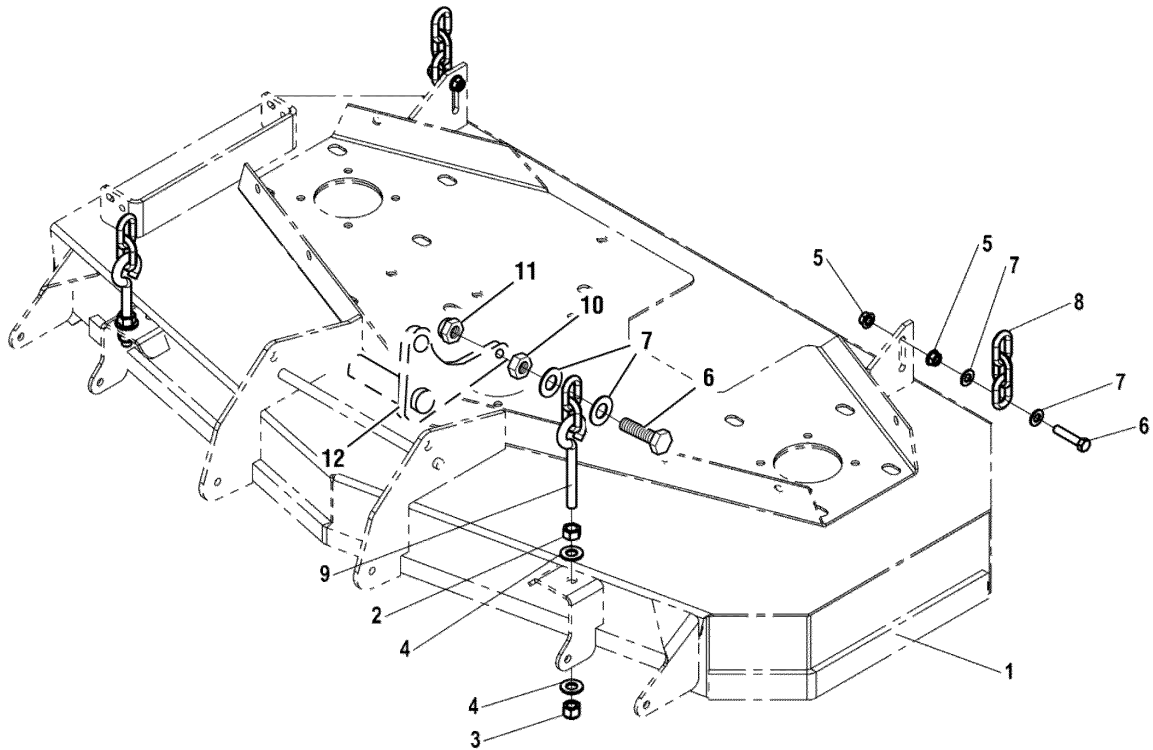
2690444 - Citation

2690445 - Citation

48" & 52" Mower Deck - Hanger Chains

2875ch0

NOTE: Unless noted otherwise,
use the standard hardware torque
specification chart.



The above parts group applies to the following Mfg. Nos.:

2690444 - Citation

2690445 - Citation

48" & 52" Mower Deck - Hanger Chains

REF NO.	PART NO.	QTY.	DESCRIPTION
1	-	-	MOWER DECK
2	5025038SM	2	NUT, 1/2-13 HEX
3	5025056SM	2	NUT, 1/2-13 HEX NYLON LOCK
4	5025158SM	4	WASHER, 1/2" SAE
5	5025128SM	4	NUT, 3/8-16 HEX SERRATED FLANGE
6	5025013X14SM	6	BOLT, 3/8-16 X 1-3/4" GD5
7	5025156SM	12	WASHER, 3/8" SAE
8	5050878X3SM	2	CHAIN, 5/16" GD30, 3 LINKS
9	5047503SM	2	HANGER, FRONT DECK - 2 LINK
10	5025084SM	4	NUT, 3/8-16 HEX JAM
11	5025096SM	4	NUT, 3/8-16 HEX NYLON LOCK
12	-	-	DECK LIFT PIVOT

Footnotes

The above parts group applies to the following Mfg. Nos.:

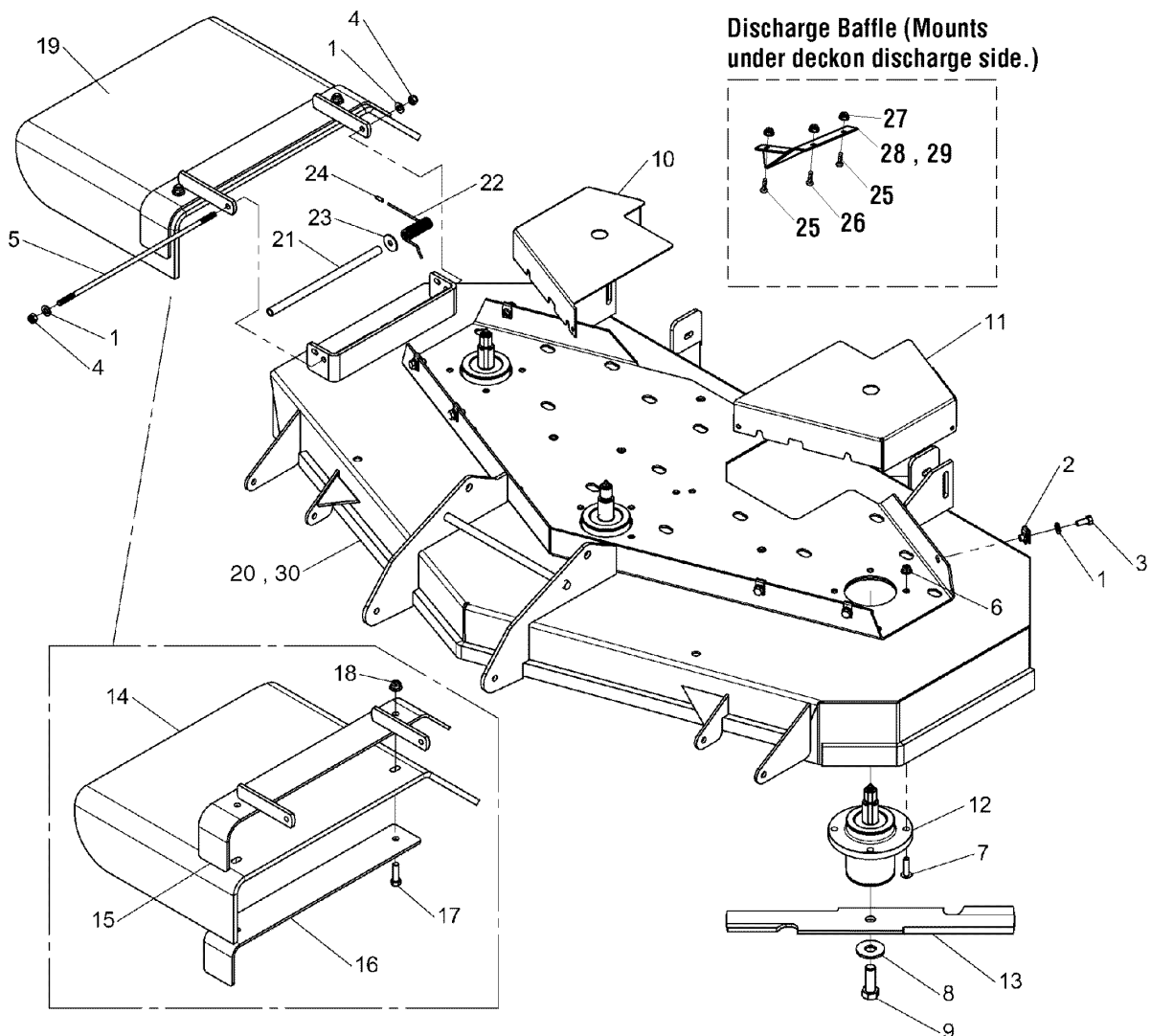
2690444 - Citation

2690445 - Citation

48" & 52" Mower Deck - Housing, Cover, Spindle & Blade

2875hc0

NOTE: Unless noted otherwise,
use the standard hardware torque
specification chart.



The above parts group applies to the following Mfg. Nos.:

2690444 - Citation

2690445 - Citation

48" & 52" Mower Deck - Housing, Cover, Spindle & Blade

REF NO.	PART NO.	QTY.	DESCRIPTION
1	5025155SM	8	WASHER, 5/16" SAE
2	5022308SM	6	BODY CLIP, 5/16-18
3	5025011X6SM	6	BOLT, 5/16-18 X 3/4"
4	5025045SM	2	NUT 5/16-24 Hex Nylon Lock
5	5042555SM	1	ROD, Linkage
6	5025392SM	12	NUT, 5/16-18 Hex Nylock Flange
7	5023156SM	12	BOLT, Flange Head, 5/16-18 x 1-1/4
8	5025159SM	3	WASHER, 5/8" USS
9	5025320X14SM	3	BOLT, 5/8-11 X 1-3/4"
10	5049881CSM	1	GUARD, 48" DECK - RH
10	5061810CSM	1	GUARD, 52" DECK - RH
11	5049882CSM	1	GUARD, 48" DECK - LH
11	5061811CSM	1	GUARD, 52" DECK - LH
12	5061095SM	3	SPINDLE ASSEMBLY, Complete
13	5020843ASM	3	MOWER BLADE, 16-1/4"
13	5021227ASM	3	MOWER BLADE, 18"
14	5100524SM	1	RUBBER CHUTE
15	5402361CSM	1	CHUTE FRAME
16	5402362CSM	1	CHUTE SUPPORT
17	5025013X10SM	1	BOLT, 3/8-16 X 1-1/4"
18	5025394SM	1	NUT, 3/8-16 Hex Nylock Flange
19	5600089SM	1	DISCHARGE CHUTE ASSEMBLY
20	5300030SM	1	DECK SHELL W/DECALS, 48"
20	5300031SM	1	DECK SHELL W/DECALS, 52" (S/N: 2012619803 & Below)
21	5050086X8SM	1	TORSION SPRING SPACER
22	5023385SM	1	TORSION SPRING
23	5025164SM	1	WASHER, 5/16" Fender
24	5023489SM	1	CAP
25	5025145X6SM	2	BOLT, 5/16-18 CARRIAGE, 3/4"
26	5025145X8SM	1	BOLT, 5/16-18 CARRIAGE, 1"
27	5025392SM	3	NUT, 5/16-18 NYLOCK FLANGE
28	5401254CSM	1	WELD, DISCHARGE BAFFLE, ORG - 52" (S/N: 2012619803 & Below)
29	5403548CSM	1	WELD, DISCHARGE BAFFLE, ORG - 52" (S/N: 2012619804 & Above)
30	5600140	1	DECK SHELL W/ DECALS - 52" (5403609C) (S/N: 2012619804 & Above)

Footnotes

The above parts group applies to the following Mfg. Nos.:

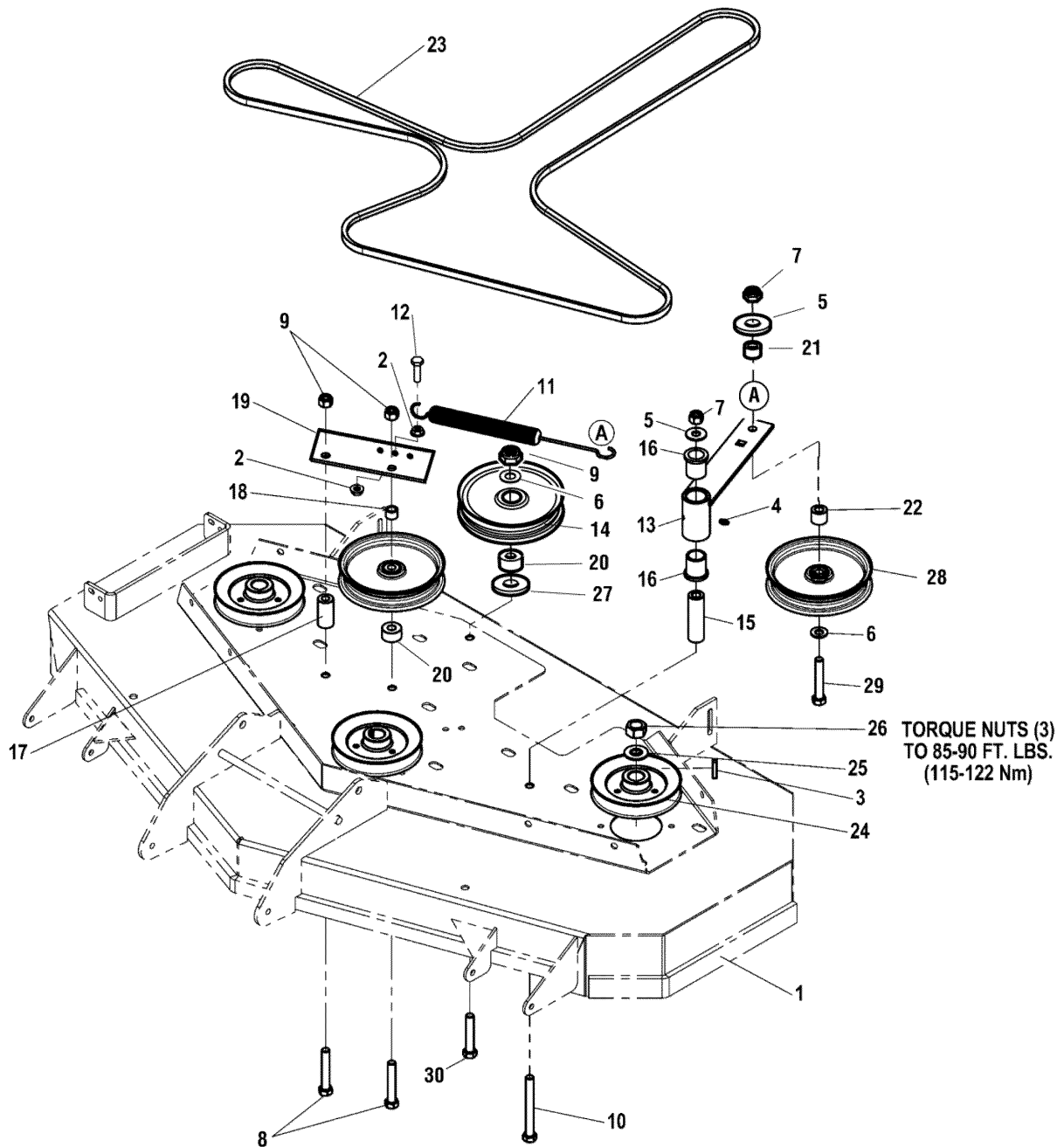
2690444 - Citation

2690445 - Citation

48" & 52" Mower Deck - Pulleys, Belts & Idler Arm

2875pb0

NOTE: Unless noted otherwise,
use the standard hardware torque
specification chart.



The above parts group applies to the following Mfg. Nos.:

2690444 - Citation

2690445 - Citation

48" & 52" Mower Deck - Pulleys, Belts & Idler Arm

REF NO.	PART NO.	QTY.	DESCRIPTION
1	-	-	MOWER DECK
2	1931277SM	2	NUT, 5/16-18 HEX SERRATED FLANGE (SMALL)
3	5050407X5SM	3	KEY, 1/4 SQ. X 1-1/4
4	5020095SM	1	GREASE FITTING
5	5025150SM	2	WASHER, 1/2" USS
6	5025158SM	2	WASHER, 1/2" SAE
7	5025056SM	2	NUT, 1/2-13 HEX NYLON LOCK
8	5025017X24SM	2	BOLT, 1/2-13 X 3" GD5
9	5025332SM	3	NUT, 1/2"-13 SIDE LOCK
10	1926159SM	1	BOLT, 1/2-13 X 5" GD5 YZ
11	5023340SM	1	SPRING, EXTENSION, SWIVEL END
12	5025011X10SM	1	BOLT, 5/16-18 X 1-1/4" GD5 YZ
13	5045106CSM	1	IDLER ARM
14	5600184SM	2	KIT, PULLEY & SHIELD (Includes Part Nos 5021976 & 5101103)
15	5045022SM	1	SPACER, .52 X 1.00 X 3.50
16	5021541SM	2	BUSHING, FLANGE
17	5043607SM	1	SPACER, .50 X 1.00 X 2.00
18	5047027SM	1	SPACER, .51 X .75 X .56
19	5402555CSM	1	ANCHOR, SPRING
20	5047142SM	2	SPACER, .52 X 1.25 X .70
21	5045023SM	1	SPACER, .52 X 1.00 X .44
22	5044673SM	1	SPACER, .52 X 1.00 X .88
23	5023496	1	BELT, 44" DECK
23	5023297SM	1	BELT, 48" DECK
23	5023435SM	1	BELT, 52" DECK
24	5023175SM	3	PULLEY, 5.72., 48" DECK
24	5023178SM	3	PULLEY, 6.122 OD., 52" DECK
25	5025406SM	3	WASHER, 3/4" BELLEVILLE
26	5025405SM	3	NUT, 3/4-16 HEX
27	5044913SM	1	WASHER, FRAME RETAINING
28	5100529SM	1	PULLEY, IDLER, 6.75 OD X 1.62 FACE
29	5025017X28SM	1	BOLT, 1/2-13 X 3-1/2" GD5
30	5025017X22	1	BOLT, 1/2-13 X 2-3/4" GD5

Footnotes

The above parts group applies to the following Mfg. Nos.:

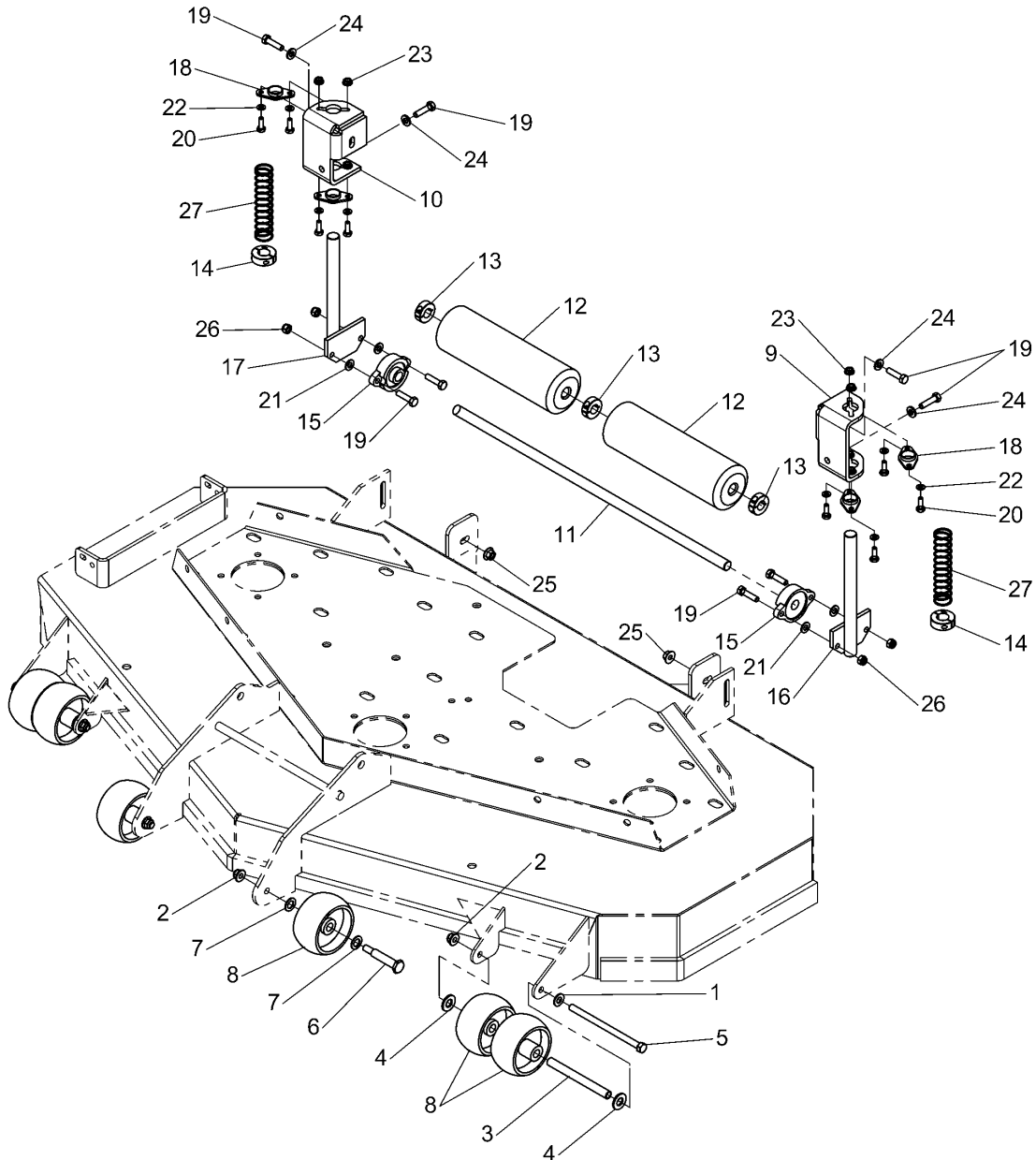
2690444 - Citation

2690445 - Citation

48" & 52" Mower Deck - Rollers

2875r10

NOTE: Unless noted otherwise,
use the standard hardware torque
specification chart.



The above parts group applies to the following Mfg. Nos.:

2690444 - Citation

2690445 - Citation

48" & 52" Mower Deck - Rollers

REF NO.	PART NO.	QTY.	DESCRIPTION
1	5025156SM	2	WASHER 3/8" SAE
2	5025394SM	4	NUT, 3/8-16 Hex Nylock Flange
3	5046586SM	2	SPACER, .38 X .50 X 5.06
4	5025158SM	4	WASHER, 1/2" SAE
5	5025013X48SM	2	BOLT, 3/8-16 X 6"
6	2108765SM	2	BOLT, REAR WHEEL
7	1960027SM	4	WASHER
8	1714760SM	6	GAUGE WHEEL
9	5403622CSM	1	STRIPER MOUNT, LH
10	5403623CSM	1	STRIPER MOUNT, RH
11	5046903SM	1	SHAFT, Roller
12	5020785SM	2	ROLLER
13	5020441SM	3	COLLAR, 5/8" Split
14	5020594SM	2	COLLAR, 3/4" Double Split
15	5022846SM	2	BEARING, Flange
16	5046900CSM	1	GUIDE SHAFT, LH
17	5046901CSM	1	GUIDE SHAFT, RH
18	5023155SM	4	BUSHING, Flange
19	5025011X10SM	8	BOLT, 5/16-18 X 1-1/4"
20	5025010X6SM	8	BOLT, 1/4-20 X 3/4"
21	5025155SM	4	WASHER, 5/16" SAE
22	5025154SM	8	WASHER, 1/4" SAE
23	5025126SM	8	NUT, 1/4-20 Hex Serrated Flange
24	5025292SM	4	WASHER, 5/16" GD 9
25	5025139SM	4	NUT, 5/16-18 Hex Large Serrated Flange
26	5025057SM	4	NUT 5/16-18 Hex Nylon Lock
27	5022845SM	2	SPRING, Compression

Footnotes

The above parts group applies to the following Mfg. Nos.:

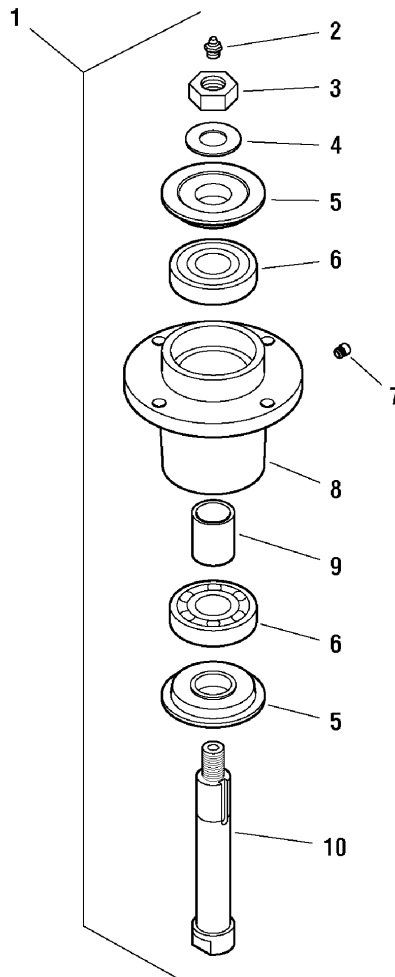
2690444 - Citation

2690445 - Citation

48" & 52" Mower Deck - Spindle Service Parts Group

287spn0

NOTE: Unless noted otherwise,
use the standard hardware torque
specification chart.



The above parts group applies to the following Mfg. Nos.:

2690444 - Citation

2690445 - Citation

48" & 52" Mower Deck - Spindle Service Parts Group

REF NO.	PART NO.	QTY.	DESCRIPTION
1	5061095SM	3	SPINDLE ASSEMBLY, Complete
2	5023329SM	3	GREASE FITTING
3	5025405SM	3	NUT, 3/4-16 Hex
4	5025406SM	3	WASHER, 3/4" Belleville
5	5049793SM	6	TRASH SHIELD
6	5023330SM	6	BEARING
7	5023296SM	3	RELIEF VALVE
8	5061097SM	3	SPINDLE HOUSING
9	5061099SM	3	SPACER, 1.00 x 1.25 x 1.75
10	5061098SM	3	SPINDLE SHAFT

Footnotes

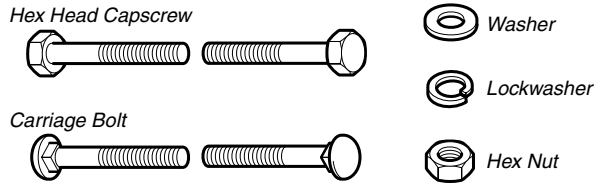
The above parts group applies to the following Mfg. Nos.:

2690444 - Citation

2690445 - Citation

Hardware Identification & Torque Specifications

Common Hardware Types

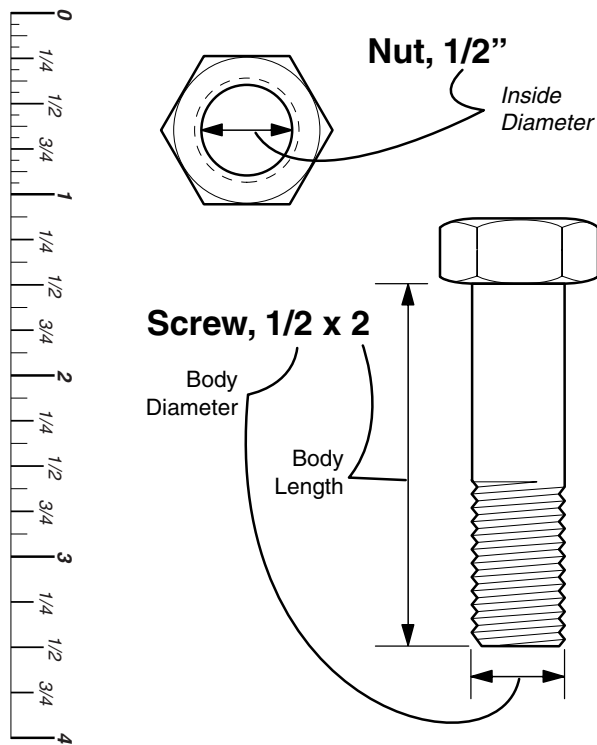


Standard Hardware Sizing

When a washer or nut is identified as 1/2", this is the *Nominal size*, meaning the *inside diameter* is 1/2 inch; if a second number is present it represents the *threads per inch*

When bolt or capscrew is identified as 1/2 - 16 x 2", this means the *Nominal size*, or *body diameter* is 1/2 inch; the second number represents the *threads per inch* (16 in this example, and the final number is the *body length* of the bolt or screw (in this example 2 inches long).

The guides and ruler furnished below are designed to help you select the appropriate hardware and tools.



Torque Specification Chart

FOR STANDARD MACHINE HARDWARE (Tolerance ± 20%)

Hardware Grade	No Marks SAE Grade 2		SAE Grade 5		SAE Grade 8	
	in/lbs ft/lbs	Nm.	in/lbs ft/lbs	Nm.	in/lbs ft/lbs	Nm.
8-32	19	2.1	30	3.4	41	4.6
8-36	20	2.3	31	3.5	43	4.9
10-24	27	3.1	43	4.9	60	6.8
10-32	31	3.5	49	5.5	68	7.7
1/4-20	66	7.6	8	10.9	12	16.3
1/4-28	76	8.6	10	13.6	14	19.0
5/16-18	11	15.0	17	23.1	25	34.0
5/16-24	12	16.3	19	25.8	27	34.0
3/8-16	20	27.2	30	40.8	45	61.2
3/8-24	23	31.3	35	47.6	50	68.0
7/16-14	30	40.8	50	68.0	70	95.2
7/16-20	35	47.6	55	74.8	80	108.8
1/2-13	50	68.0	75	102.0	110	149.6
1/2-20	55	74.8	90	122.4	120	163.2
9/16-12	65	88.4	110	149.6	150	204.0
9/16-18	75	102.0	120	163.2	170	231.2
5/8-11	90	122.4	150	204.0	220	299.2
5/8-18	100	136	180	244.8	240	326.4
3/4-10	160	217.6	260	353.6	386	525.0
3/4-16	180	244.8	300	408.0	420	571.2
7/8-9	140	190.4	400	544.0	600	816.0
7/8-14	155	210.8	440	598.4	660	897.6
1-8	220	299.2	580	788.8	900	1,244.0
1-12	240	326.4	640	870.4	1,000	1,360.0

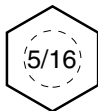
NOTES

- These torque values are to be used for all hardware excluding: locknuts, self-tapping screws, thread forming screws, sheet metal screws and socket head setscrews.
- Recommended seating torque values for locknuts:
 - for prevailing torque locknuts - use 65% of grade 5 torques.
 - for flange whizlock nuts and screws - use 135% of grade 5 torques.
- Unless otherwise noted on assembly drawings, all torque values must meet this specification.

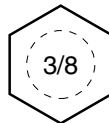
Wrench & Fastener Size Guide



1/4" Bolt or Nut
Wrench—7/16"



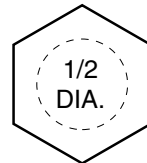
5/16" Bolt or Nut
Wrench—1/2"



3/8" Bolt or Nut
Wrench—9/16"



7/16" Bolt or Nut
Wrench (Bolt)—5/8"
Wrench (Nut)—11/16"



1/2" Bolt or Nut
Wrench—3/4"

Simplicity

MANUFACTURING, INC.
500 N. Spring Street / PO Box 997
Port Washington, WI 53074-0997 USA

www.simplicitymfg.com

Briggs and Stratton Yard Power Products Group
Copyright © 2008 by Briggs and Stratton Corporation
Milwaukee, WI, USA. All rights reserved

