

# Supplemental Setup Instructions

50" Mower  
Mfg. Nos. 2690443 &  
16948991

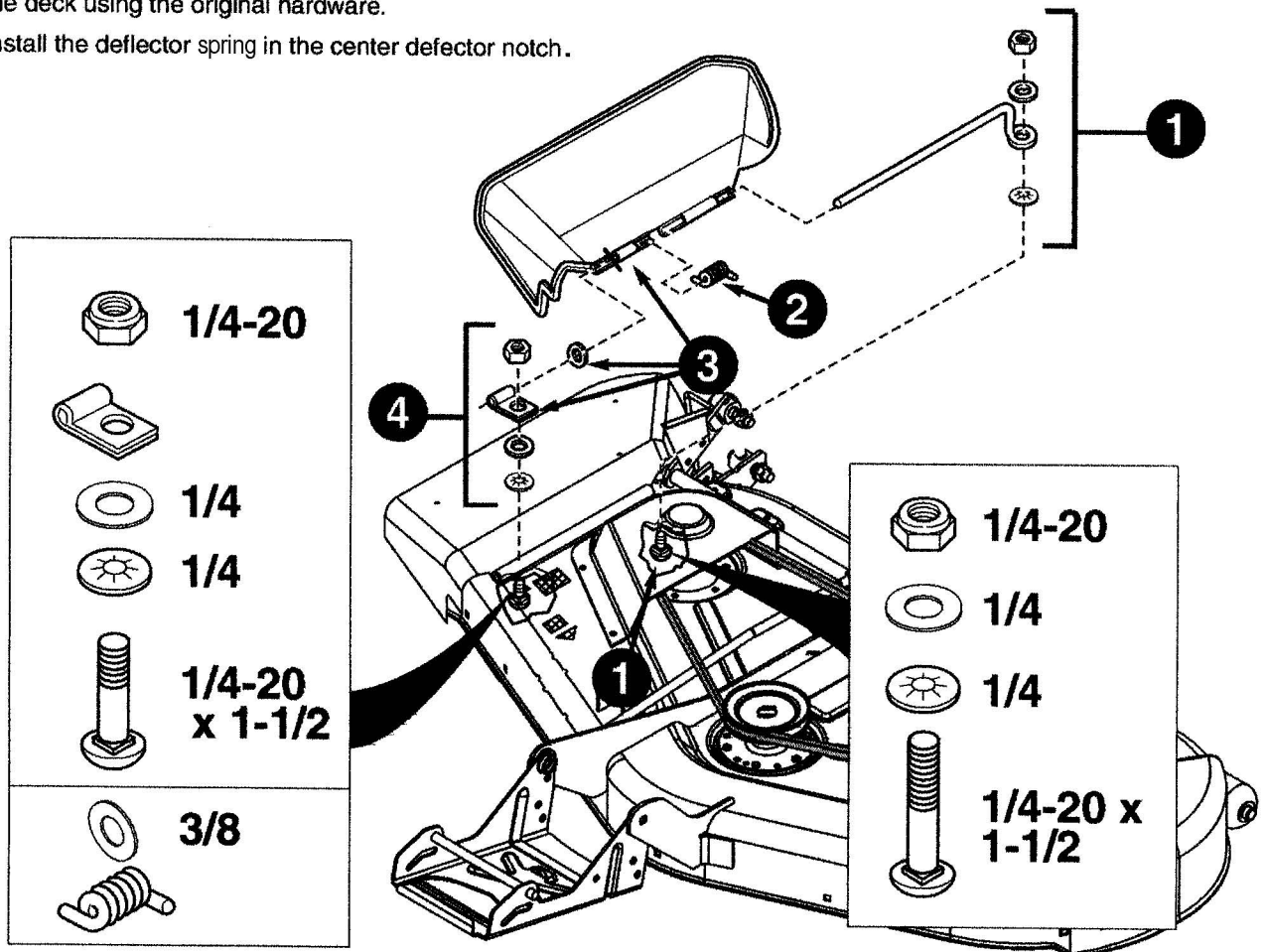
## MOWER DEFLECTOR INSTALLATION

### **⚠ WARNING**

Before beginning any service work turn off the PTO, set the parking brake, turn off the ignition, and disconnect the spark plug wire(s).

The mower deflector is attached to the deck in its shipping position. Be sure to install it in operating position as shown in the illustration.

1. Remove and retain the hardware securing the deflector to the mower deck. Secure the rear of the rod to the deck using the original hardware.
2. Install the deflector spring in the center deflector notch.
3. Install the deflector, spring, 3/8 washer, and rod clamp on the rod.
4. Wind the spring 1/2 turn to that the legs will force the deflector down into the operating position, and secure the rod clamp with the original hardware.



**Simplicity**

MANUFACTURING, INC.

500 N Spring Street / PO Box 997  
Port Washington, WI 53074-0997 USA

Rev. 1/2006  
© 2005 Simplicity Manufacturing, Inc. All Rights Reserved  
MB 2006-1