

Installation Instructions

44" Mulch Kit

Mfg. No. 1695055

For Javelin / 250Z Series

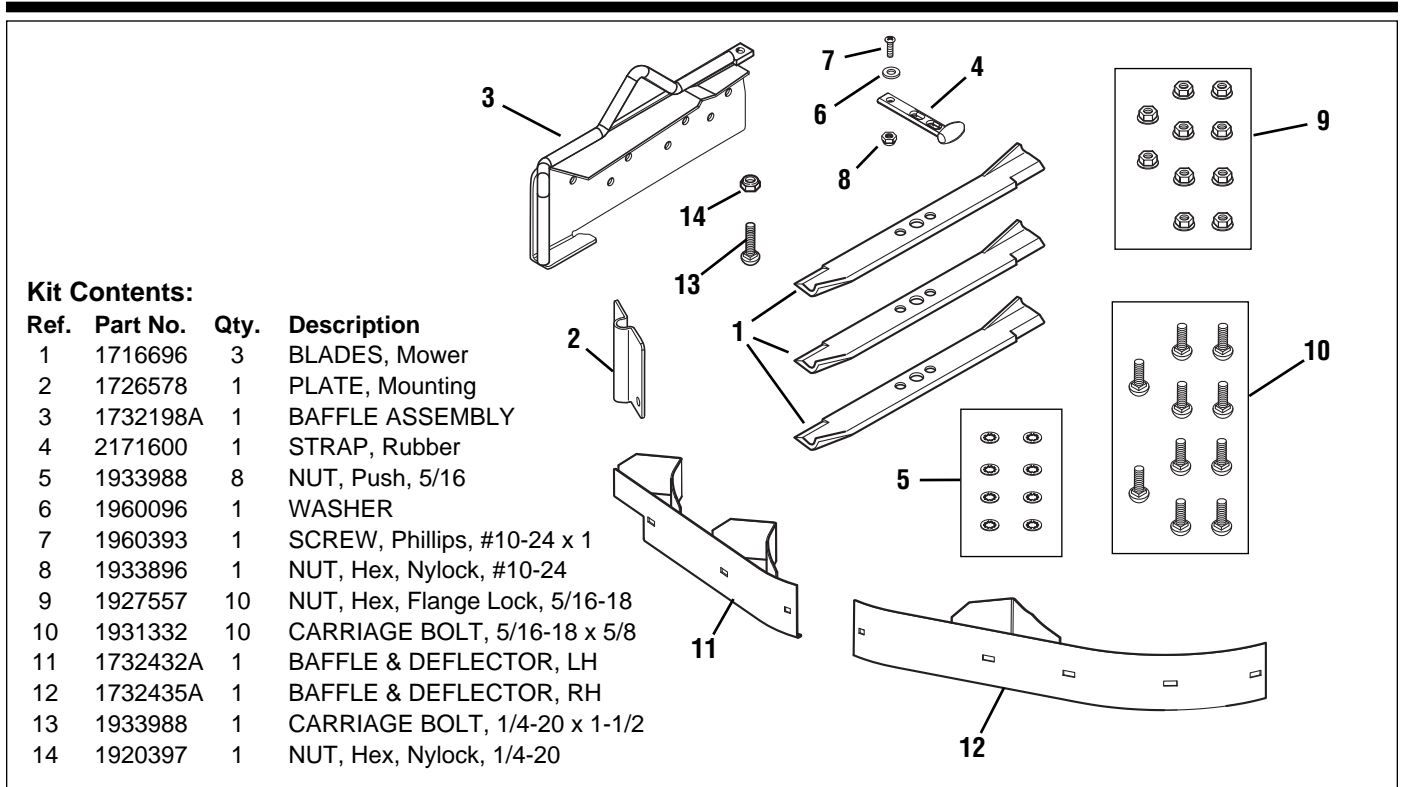


Figure 1. Contents

WARNING

Before beginning any service work turn off the PTO, set the parking brake, turn off the ignition, remove the key, and disconnect the spark plug wire(s).

INSTALLATION

1. Remove the mower deck. Refer to Operator's Manual (see Mower Deck Removal & Installation).
2. See Figure 2. Remove the blades. Use a block of wood to prevent blade rotation while loosening the blade nut by turning it counterclockwise.

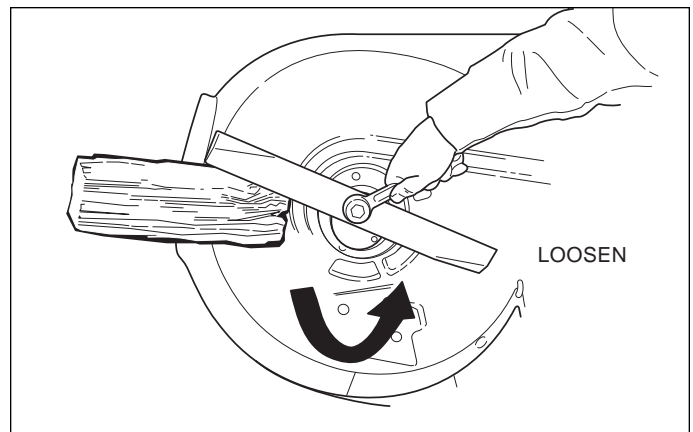


Figure 2. Blade Removal

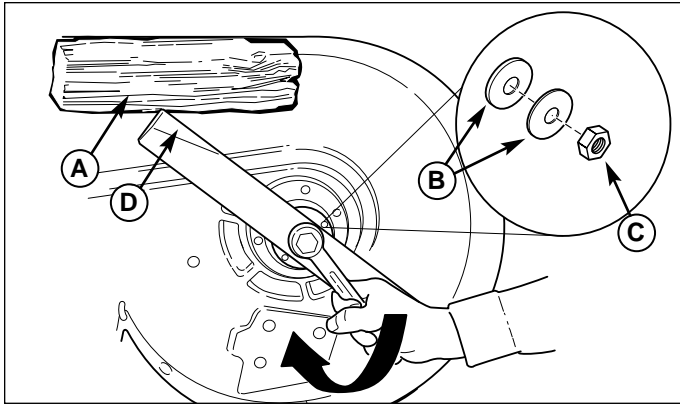


Figure 3. Blade Installation

- A. 4x4 Wood Block**
- B. Spring Washer**
- C. Blade Nut**
- D. Blade W/Lift Wings**

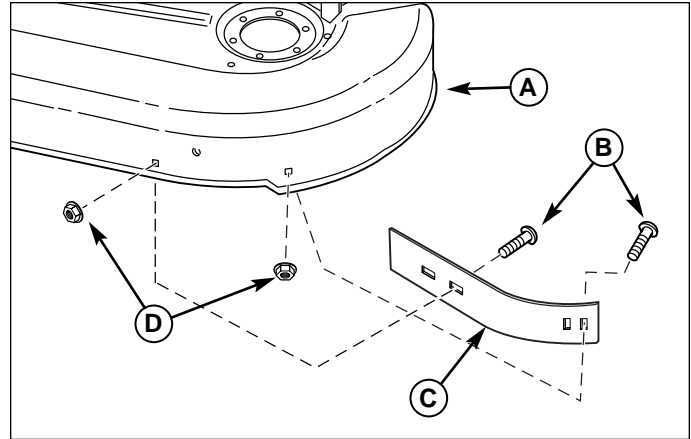


Figure 4. Baffle Removal

- A. Mower Deck**
- B. Carriage Bolts, 5/16-18 x 3/4**
- C. Blowout Baffle, Short**
- D. Nut, Whizlock, 5/16-18 x 3/4**

3. Remove the blade nut (C, Figure 3), spring washers (B), and blade (D).
4. Reinstall the new blades with the lift wings (D, Figure 3) pointing up toward the mower deck as shown.
5. Reinstall the spring washers (B, Figure 3) and blade nut (C). Use a wooden block (A) to prevent blade rotation while tightening the blade nut (C) to 70-80 ft. lbs. (95-108 Nm). Turn blade nut clockwise to tighten.
6. Remove and discard short blowout baffle (C, Figure 4), carriage bolts (B) and locknuts (D) from mower deck (A).
7. Remove and retain 1/4-20 locknut (A, Figure 5) and 1/4 washer (B). Remove and discard 1/4-20 x 1 carriage bolt (C).
8. Install 1/4-20x 1-1/2 carriage bolt (C, Figure 6) securing with 1/4 washer (B) and one 1/4-20 locknut (A) as shown. Connect second 1/4-20 locknut (A) to carriage bolt (C) until the top of the locknut (A) is flush to the top of carriage bolt (C).

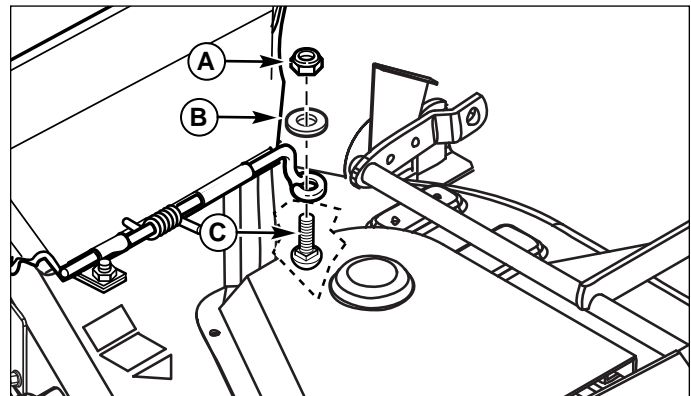


Figure 5. Carriage Bolt Removal

- A. Nut, Lock, 1/4-20**
- B. Washer, 1/4**
- C. Carriage Bolt, 1/4-20 x 1**

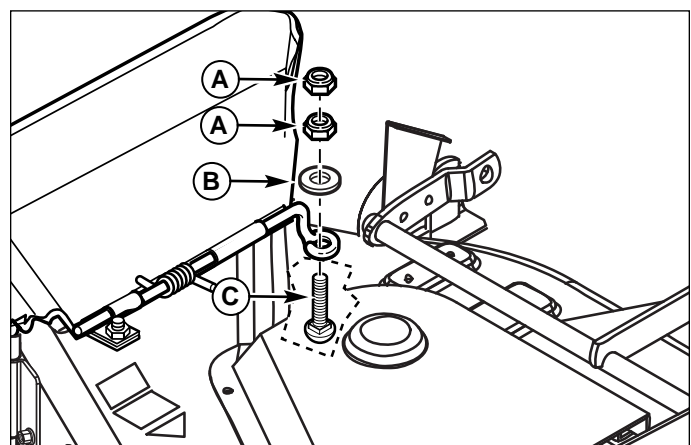


Figure 6. Carriage Bolt Installation

- A. Nuts, Lock, 1/4-20**
- B. Washer, 1/4**
- C. Carriage Bolt, 1/4-20 x 1-1/2**

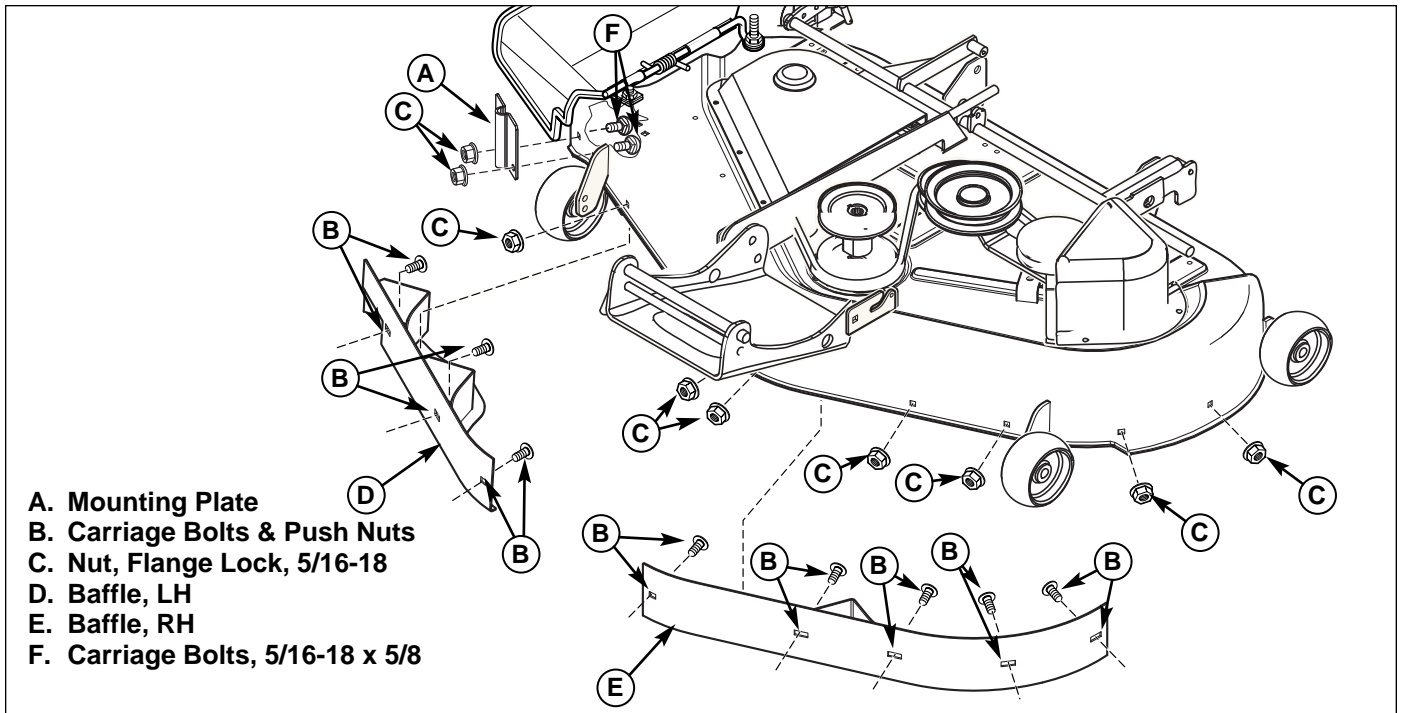


Figure 7. Baffle Installation

9. Install RH baffle (E) and secure with carriage bolts & push nuts (B) and nuts (C).

Note: The carriage bolt & push nuts are combined to hold carriage bolt in place and aid in ease of installation.

10. Install mounting plate (A, Figure 7) to mower deck securing with 5/16-18 x 5/8 carriage bolts (F), and nuts (C).

11. Install LH baffle (D) and secure with carriage bolts & push nuts (B) and nuts (C).

12. Install the mower deck. Refer to the Operator's Manual (see Mower Deck Removal & Installation)

13. Lift discharge deflector up (D, Figure 8).

14. Insert mulch baffle assembly (A) into mounting plate (B).

15. Pull rubber strap (E) below discharge deflector and secure by placing strap (using second hole in strap) completely over locknut (C).

Note: The new mulching blades DO NOT need to be removed or changed for side discharge. For use with a bagger the mulching/side discharge blade will need to be replaced with a bagging blade.

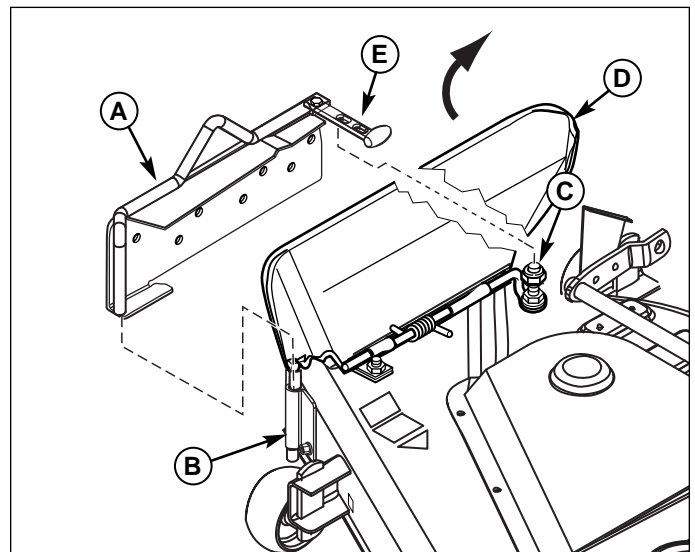


Figure 8. Mulch Cover Installation

- A. Baffle Assembly
- B. Mounting Plate
- C. Locknut
- D. Discharge Deflector
- E. Rubber Strap

