



Parts Manual



Citation

Series Zero Turn Riders & Mower Decks

21HP Product

Mfg. No.	Description
1694768	Citation, 21HP Zero Turn Rider

23HP Product

Mfg. No.	Description
1694769	Citation, 23HP Zero Turn Rider

Mower Decks

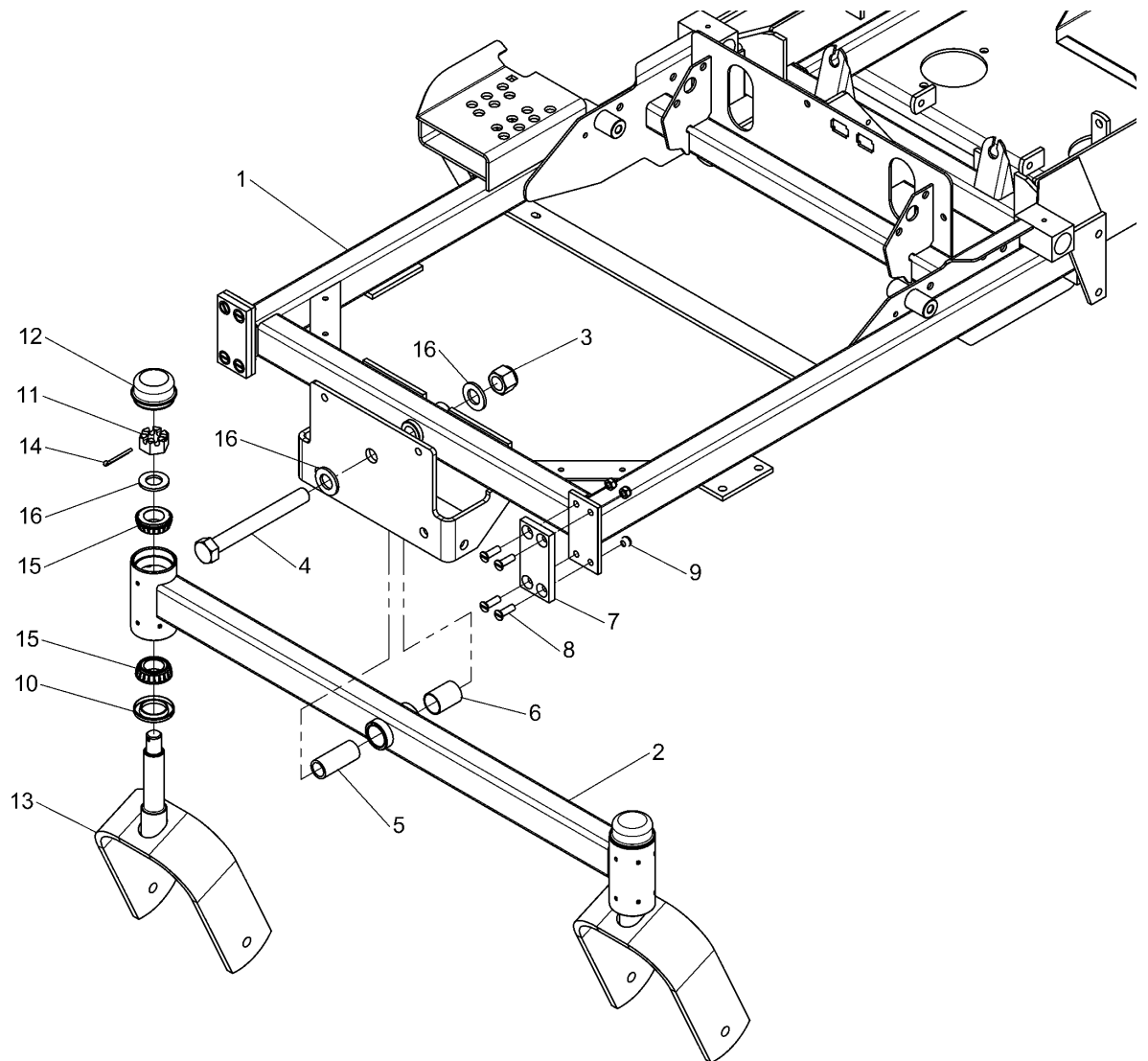
Mfg. No.	Description
1694770	48" Mower Deck
1694771	52" Mower Deck

PRODUCT COMPONENTS	PAGES
Main Frame & Front Caster Group	4
Rear Bumper Group	6
Engine & PTO Group	8
Instrument Panel Group	10
Pump Drive Group	12
Motion Control Group	14
Hydraulic Group	18
Hydraulic Tank Mount Group	20
Electrical Group - Early Models	22
Electrical Group - Later Models	24
Seat Mount & Floor Group	26
Fuel Tank & Mount Group	28
Parking Brake Group	30
Rear Suspension Group	32
Deck Lift Group	34
Wheel & Tire Group	38
Decals - Brand & Model	40
Decals - Safety & Operation	42
48" & 52" Mower Deck - Hanger Chains	44
48" & 52" Mower Deck - Housing, Cover, Spindle & Blade	46
48" & 52" Mower Deck - Pulleys, Belts & Idler Arm	48
48" & 52" Mower Deck - Rollers	50
48" & 52" Mower Deck - Spindle Service Parts Group	52
Torque Specification Chart	Inside Back Cover

Main Frame & Front Caster Group

197frm0

NOTE: Unless noted otherwise,
use the standard hardware torque
specification chart.



The above parts group applies to the following Mfg. Nos.:

1694768 - Citation

1694769 - Citation

Main Frame & Front Caster Group

REF NO	PART NO.	QTY.	DESCRIPTION
1	503849958	1	MAIN FRAME ASSEMBLY
2	503861365	1	PIVOTING FRONT END ASSEMBLY
3	5025284	1	NUT, 3/4-16 Hex Nylon Lock
4	502526552	1	BOLT, 3/4-16 X 6-1/2"
5	5047489	1	SPACER, .75 X 1.00 X 2.38
6	5022852	1	PIVOT BEARING
7	5045990	2	FRICTION PLATE
8	5025303	8	SCREW, 5/16-18 X 1 FLAT HD SC
9	5025057	4	NUT 5/16-18 Hex Nylon Lock
10	5021072	1	GREASE SEAL
11	5025104	1	NUT, 3/4-16 Hex Slotted
12	5021073	2	CAP
13	5047049	2	CASTER YOKE
14	502520310	1	COTTER PIN, 1/4" x 1-1/4"
15	5020884	2	BEARING, Tapered Roller
16	5025160	3	WASHER, 3/4" SAE

Footnotes

The above parts group applies to the following Mfg. Nos.:

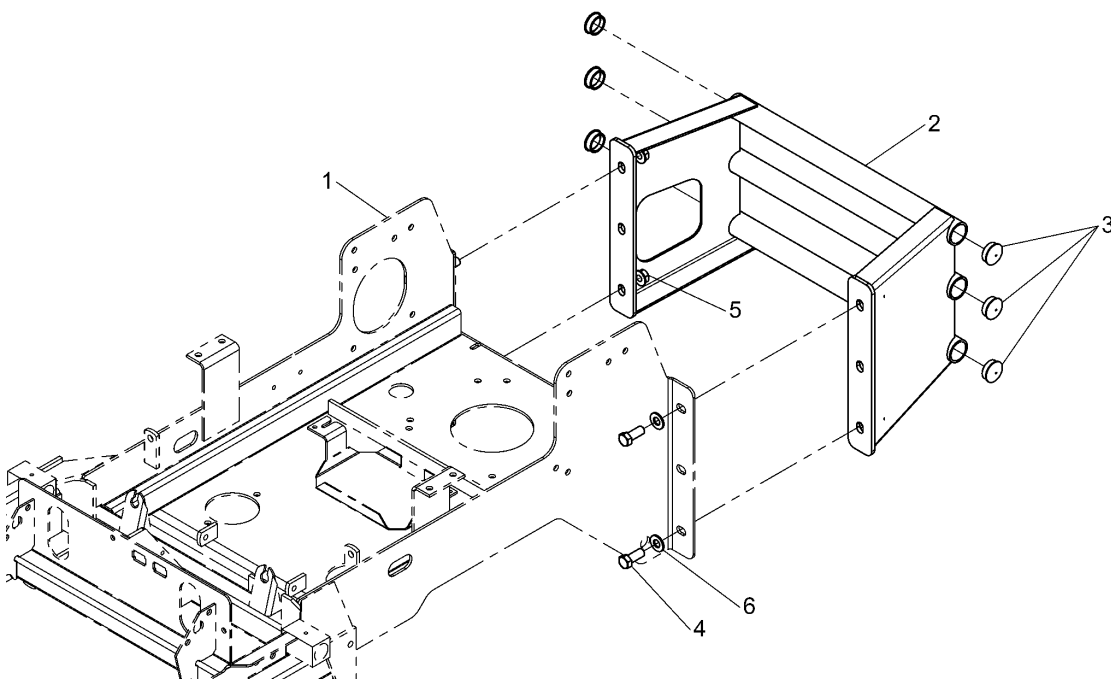
1694768 - Citation

1694769 - Citation

Rear Bumper Group

197bmp0

NOTE: Unless noted otherwise,
use the standard hardware torque
specification chart.



The above parts group applies to the following Mfg. Nos.:

1694768 - Citation

1694769 - Citation

Rear Bumper Group

REF NO	PART NO.	QTY.	DESCRIPTION
1	-	-	MAIN FRAME (See Main Frame Group)
2	503861732	1	BUMPER
3	5023484	6	PLUG, PANEL, 1.25 BLACK
4	502501810	4	BOLT, 1/2-20 X 1-1/4"
5	5025397	4	NUT, 1/2-20 Hex Nylock Flange
6	5025158	2	WASHER, 1/2" SAE

Footnotes

The above parts group applies to the following Mfg. Nos.:

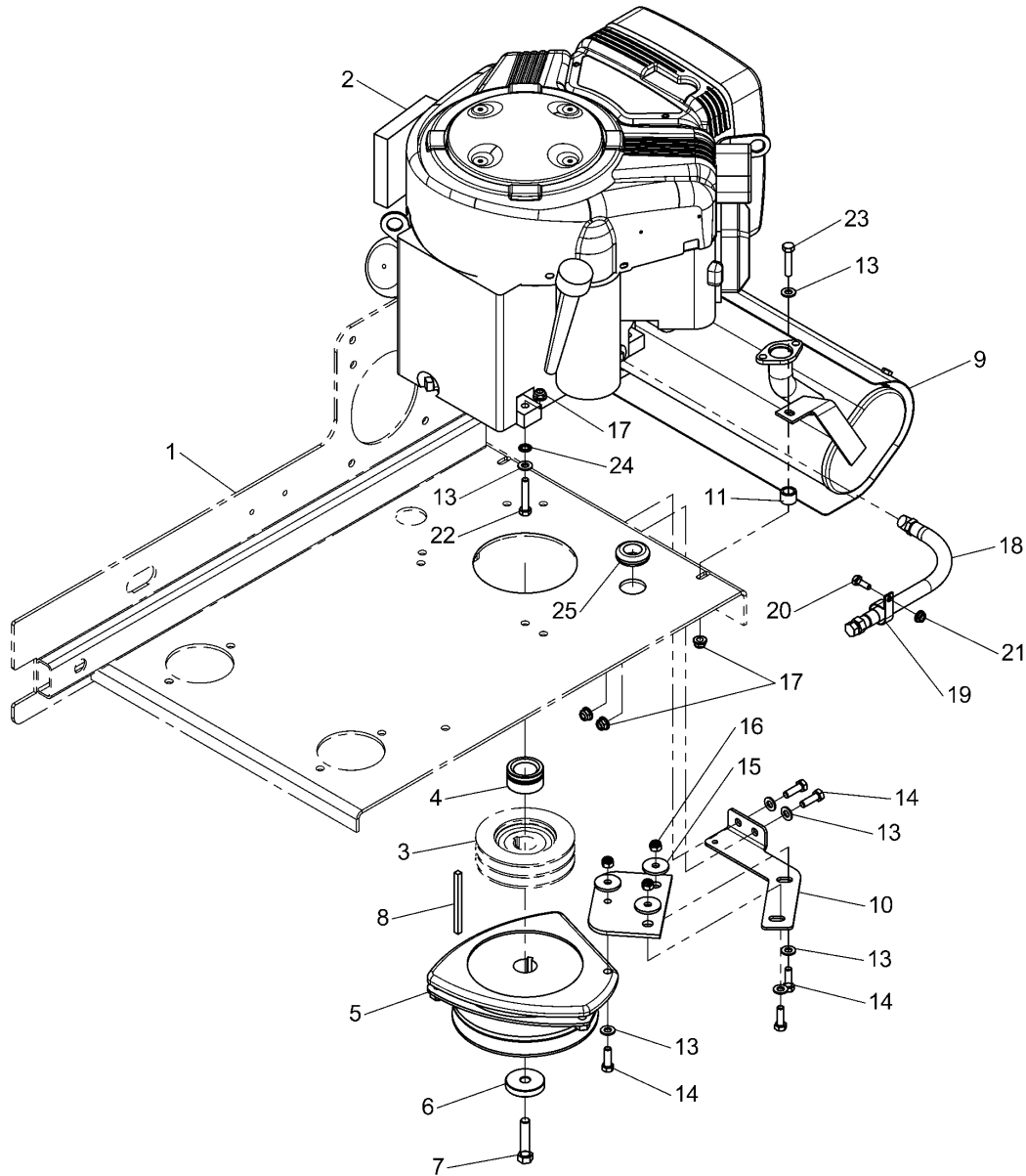
1694768 - Citation

1694769 - Citation

Engine & PTO Group

197engb0

NOTE: Unless noted otherwise,
use the standard hardware torque
specification chart.



The above parts group applies to the following Mfg. Nos.:

1694768 - Citation

1694769 - Citation

Engine & PTO Group

REF NO	PART NO.	QTY.	DESCRIPTION
1	-	-	MAIN FRAME (See Main Frame Group)
2	*	1	ENGINE, 21HP Briggs & Stratton (Model# 385777, Type# 0115-E1)
2	*	1	ENGINE, 25HP Briggs & Stratton (Model# 386777, Type# 0114-E1)
3	-	1	CRANKSHAFT PULLEY (See Pump Drive Group)
4	5046845	1	SPACER, 1.13 X 1.75 X .97
5	5023432	1	CLUTCH
6	5045475	1	SPACER, .45 X 1.88 X .38
7	5044853	1	BOLT, CRANKSHAFT, 7/16" X 2"
8	505040728	1	KEY, 1/4" SQ. X 3-1/2"
9	5023389	1	MUFFLER
10	503861857	1	CLUTCH ANCHOR PLATE
11	5047027	2	SPACER, .51 X .75 X .56
12	5043636	1	CLUTCH ANCHOR PAD
13	5025155	11	WASHER, 5/16" SAE
14	50250118	5	BOLT, 5/16-18 X 1"
15	5044617009	3	WASHER, Clutch Anchor
16	5025057	3	NUT 5/16-18 Hex Nylon Lock
17	5025392	8	NUT, 5/16-18 Hex Nylock Flange
18	5048681	1	OIL DRAIN HOSE
19	5021500	1	CLAMP, Vinyl Insulated
20	50250106	1	BOLT, 1/4-20 X 3/4"
21	5025126	1	NUT, 1/4-20 Hex Serrated Flange
22	502501114	4	BOLT, 5/16-18 X 1-3/4"
23	502501112	2	BOLT, 5/16-18 X 1-1/2"
24	5025188	4	WASHER, 5/16" Internal Tooth Lock
25	5021379	1	GROMMET, 7/8"

Footnotes

* See your local Briggs & Stratton distributor for parts and service.

The above parts group applies to the following Mfg. Nos.:

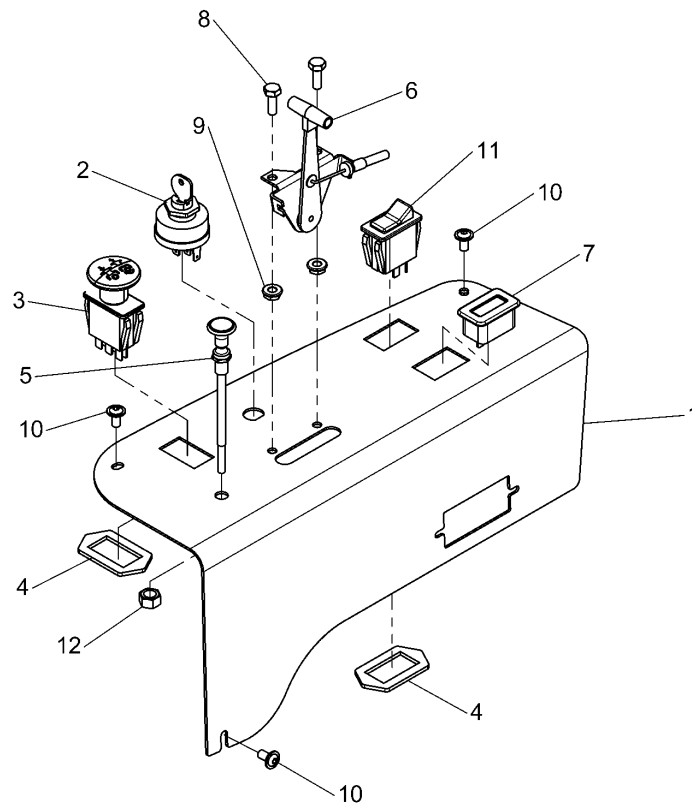
1694768 - Citation

1694769 - Citation

Instrument Panel Group

197ins0

NOTE: Unless noted otherwise,
use the standard hardware torque
specification chart.



The above parts group applies to the following Mfg. Nos.:

1694768 - Citation

1694769 - Citation

Instrument Panel Group

REF NO	PART NO.	QTY.	DESCRIPTION
1	502861361	1	CONTROL PANEL
2	5020927	1	SWITCH, Ignition, Complete (See Electrical Group for parts breakdown)
3	5022180	1	SWITCH, PTO
4	5022222	2	SWITCH RETAINER RING
5	5046501	1	CABLE, CHOKE CONTROL
6	5048231	1	CABLE, Throttle, 40"
7	1725523	1	HOUR METER, DIGITAL
8	50250106	2	BOLT, 1/4-20 X 3/4"
9	5025126	2	NUT, 1/4-20 Hex Serrated Flange
10	50252994	3	SCREW, Allen Head, 1/4-20 x 1/2
11	1703799	1	SWITCH, Headlight
12	5025035	1	NUT, 3/8-24 Hex

Footnotes

The above parts group applies to the following Mfg. Nos.:

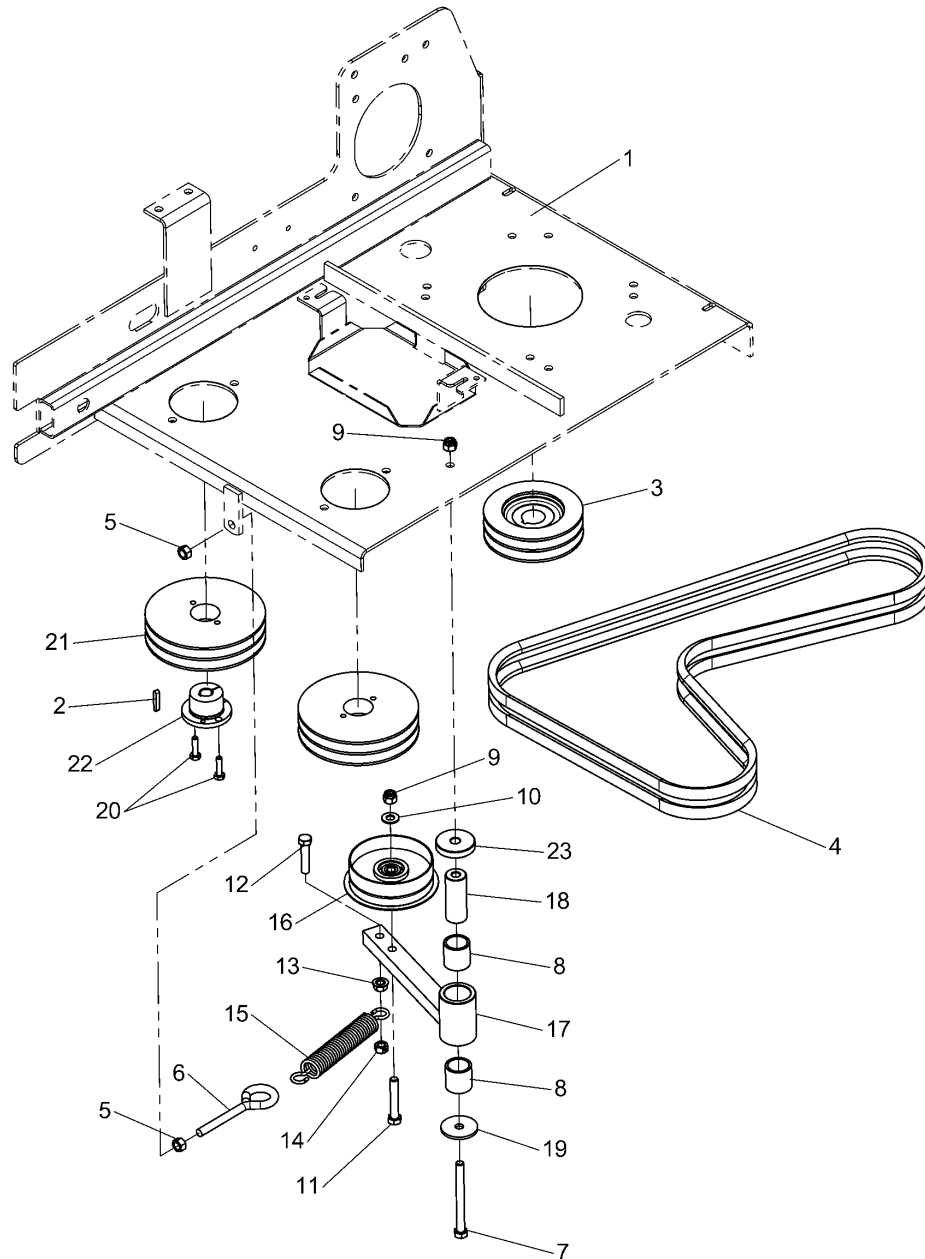
1694768 - Citation

1694769 - Citation

Pump Drive Group

NOTE: Unless noted otherwise,
use the standard hardware torque
specification chart.

197pdr0



The above parts group applies to the following Mfg. Nos.:

1694768 - Citation

1694769 - Citation

Pump Drive Group

REF NO	PART NO.	QTY.	DESCRIPTION
1	-	-	MAIN FRAME (See Main Frame Group)
2	5023254	2	KEY, 5MM SQ. x 25MM w/ Round Ends
3	5047075	1	CRANKSHAFT PULLEY
4	5022314	2	BELT, Pump Drive (set of 2)
5	5025034	2	NUT, 3/8-16 Hex
6	5023497	1	EYE BOLT, 3/8-16 X 5"
7	502501332	1	BOLT, 3/8-16 X 4"
8	5022157	2	BUSHING, Brass
9	5025096	2	NUT, 3/8-16 Hex Nylon Lock
10	5025156	1	WASHER, 3/8" SAE
11	502501318	1	BOLT, 3/8-16 X 2-1/4"
12	502501314	1	BOLT, 3/8-16 X 1-3/4"
13	5025128	1	NUT, 3/8-16 Hex Large Serrated Flange
14	5025100	1	NUT, 3/8-16 Hex Side Lock
15	5022847	1	SPRING, Extension, Swivel End
16	5022621	1	PULLEY, Idler (Single Flange)
17	503846430	1	PUMP DRIVE IDLER ARM
18	5045135	1	SPACER, .39 X 1.00 X 2.55
19	5025305	1	WASHER, 3/8 x 1-3/4
20	50250108	4	BOLT, 1/4-20 X 1"
21	5022586	2	PULLEY, Pump Drive
22	5022587	2	BUSHING, Tapered Hub
23	5045475	1	SPACER, .45 X 1.88 X .38

Footnotes

The above parts group applies to the following Mfg. Nos.:

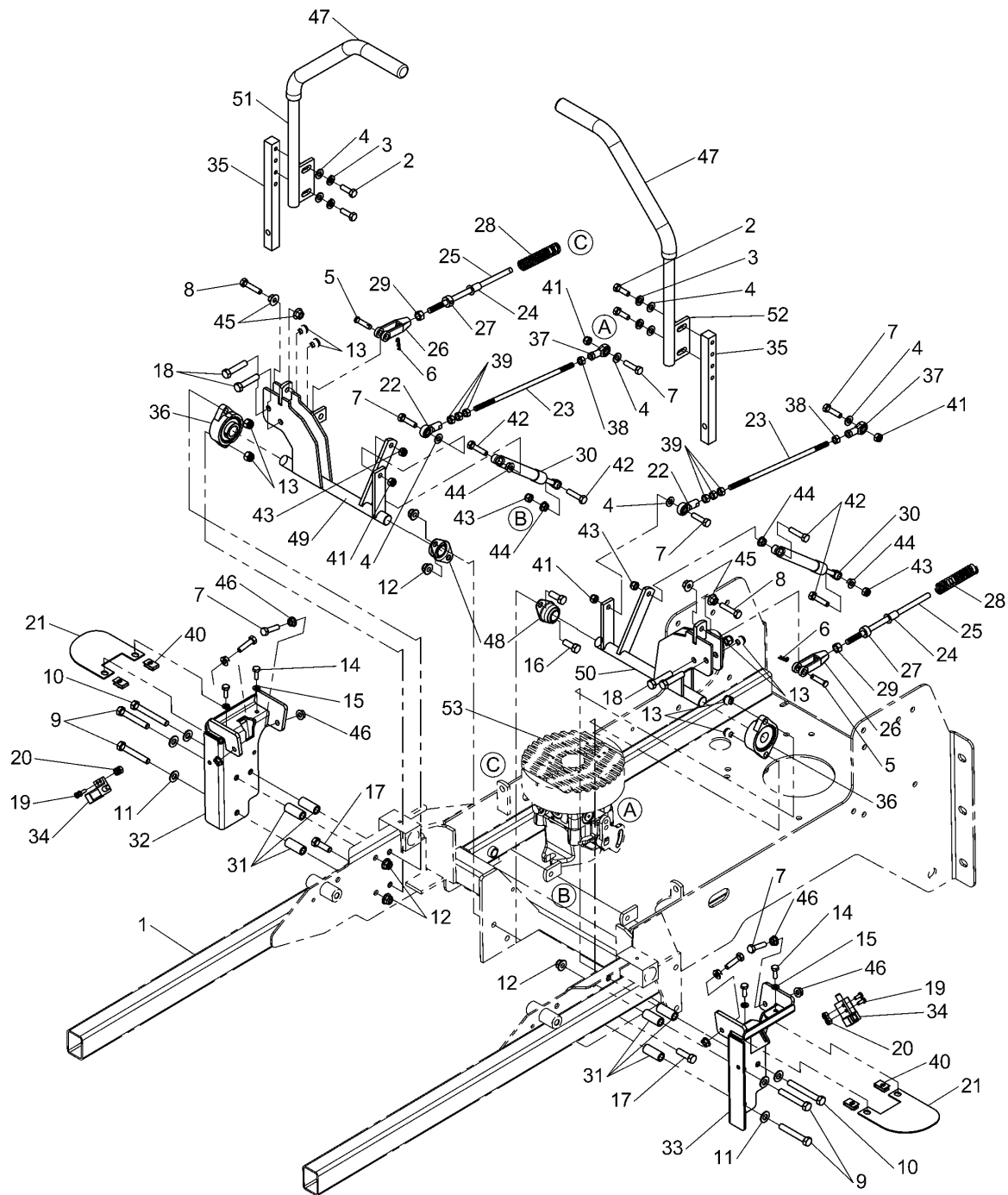
1694768 - Citation

1694769 - Citation

Motion Control Group

NOTE: Unless noted otherwise,
use the standard hardware torque
specification chart.

197mcg0



The above parts group applies to the following Mfg. Nos.:

1694768 - Citation

1694769 - Citation

Motion Control Group

REF NO	PART NO.	QTY.	DESCRIPTION
1	-	-	MAIN FRAME (See Main Frame Group)
2	50250118	4	BOLT, 5/16-18 X 1"
3	5025170	4	WASHER, 5/16" Lock
4	5025155	8	WASHER, 5/16" SAE
5	502523210	2	CLEVIS PIN, 5/16" X 1-1/4"
6	5025211	2	HAIR PIN
7	502501110	8	BOLT, 5/16-18 X 1-1/4"
8	502501112	2	BOLT, 5/16-18 X 1-1/2"
9	502501320	4	BOLT, 3/8-16 X 2-1/2"
10	502501324	2	BOLT, 3/8-16 X 3"
11	5025156	6	WASHER, 3/8" SAE
12	5025394	6	NUT, 3/8-16 Hex Nylock Flange
13	5025096	8	NUT, 3/8-16 Hex Nylon Lock
14	50250106	4	BOLT, 1/4-20 X 3/4"
15	5025154	4	WASHER, 1/4" SAE
16	50250138	2	BOLT, 3/8-16 X 1"
17	502501310	2	BOLT, 3/8-16 X 1-1/4"
18	502501314	4	BOLT, 3/8-16 X 1-3/4"
19	50251794	4	SCREW, #10-24 X 1/2"
20	5025029	4	NUT, #10-24 Hex
21	503861838	2	MOTION CONTROL GUARD
22	5021146	2	BALL JOINT, 5/16-24 Female
23	5046420	2	HYDRO CONTROL ROD
24	5023260	2	BUSHING, Flange
25	5049969	2	NEUTRAL CONTROL ROD
26	5021171	2	CLEVIS, 3/8-24, Plastic
27	5010546	2	COLLAR, 3/8" Set
28	5022645	2	SPRING, Compression
29	5025035	2	NUT, 3/8-24 Hex
30	5022978	2	DAMPENER
31	5048264	6	SPACER, .63 X .39 X 1.50
32	503849872	1	NEUTRAL LOCK PLATE, RH
33	503849873	1	NEUTRAL LOCK PLATE, LH
34	5022095	2	SWITCH, Plunger, NO/NC
35	5047004	2	CONTROL ARM MOUNT
36	5021499	2	BEARING, Flange
37	5022628	2	BALL JOINT, 5/16-24 Female LH
38	5023212	2	NUT, 5/16-24 Hex LH
39	5025033	6	NUT, 5/16-24 Hex
40	5022665	4	BODY CLIP, 1/4-20
41	5025057	4	NUT, 5/16-18 Hex Nylon Lock
42	5025335	4	BOLT, M8-1.25 x 35MM
43	5025354	4	NUT, M8-1.25 Hex Nylon Lock
44	5025355	4	NUT, M8-1.25 Hex Serrated Flange

Footnotes

The above parts group applies to the following Mfg. Nos.:

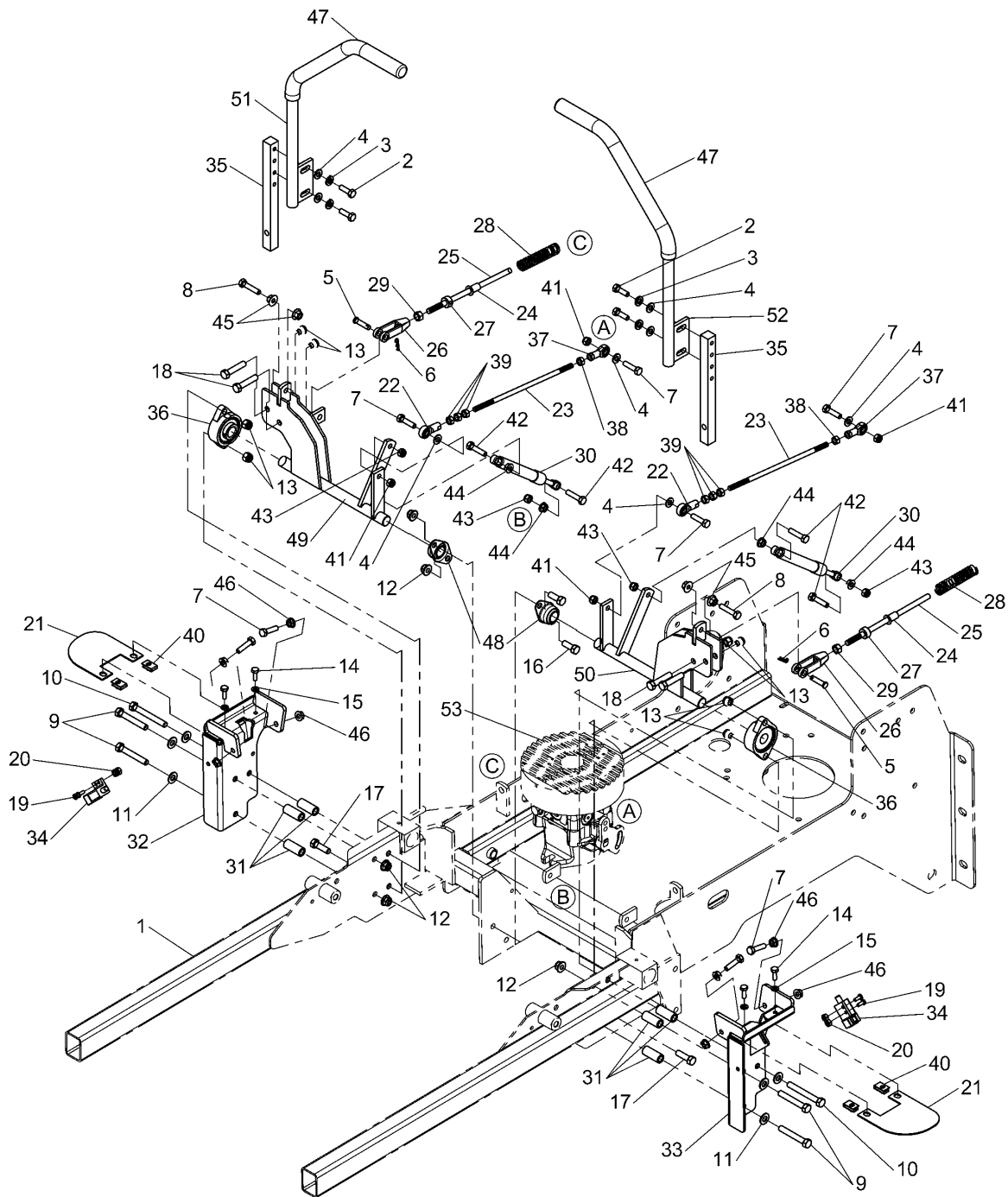
1694768 - Citation

1694769 - Citation

Motion Control Group

NOTE: Unless noted otherwise,
use the standard hardware torque
specification chart.

197mcg0



The above parts group applies to the following Mfg. Nos.:

1694768 - Citation

1694769 - Citation

Motion Control Group

REF NO	PART NO.	QTY.	DESCRIPTION
45	5025139	4	NUT, 5/16-18 Hex Large Serrated Flange
46	5025127	8	NUT, 5/16-18 Hex Small Serrated Flange
47	5022068	2	GRIP, Foam
48	5021098	2	BEARING, Flange
49	503849843	1	CONTROL SHAFT, RH
50	503849842	1	WCONTROL SHAFT, LH
51	503847056	1	MOTION CONTROL HANDLE, RH
52	503847055	1	MOTION CONTROL HANDLE, LH
53	-	-	HYDRAULIC PUMP (See Hydraulic Group)

Footnotes

The above parts group applies to the following Mfg. Nos.:

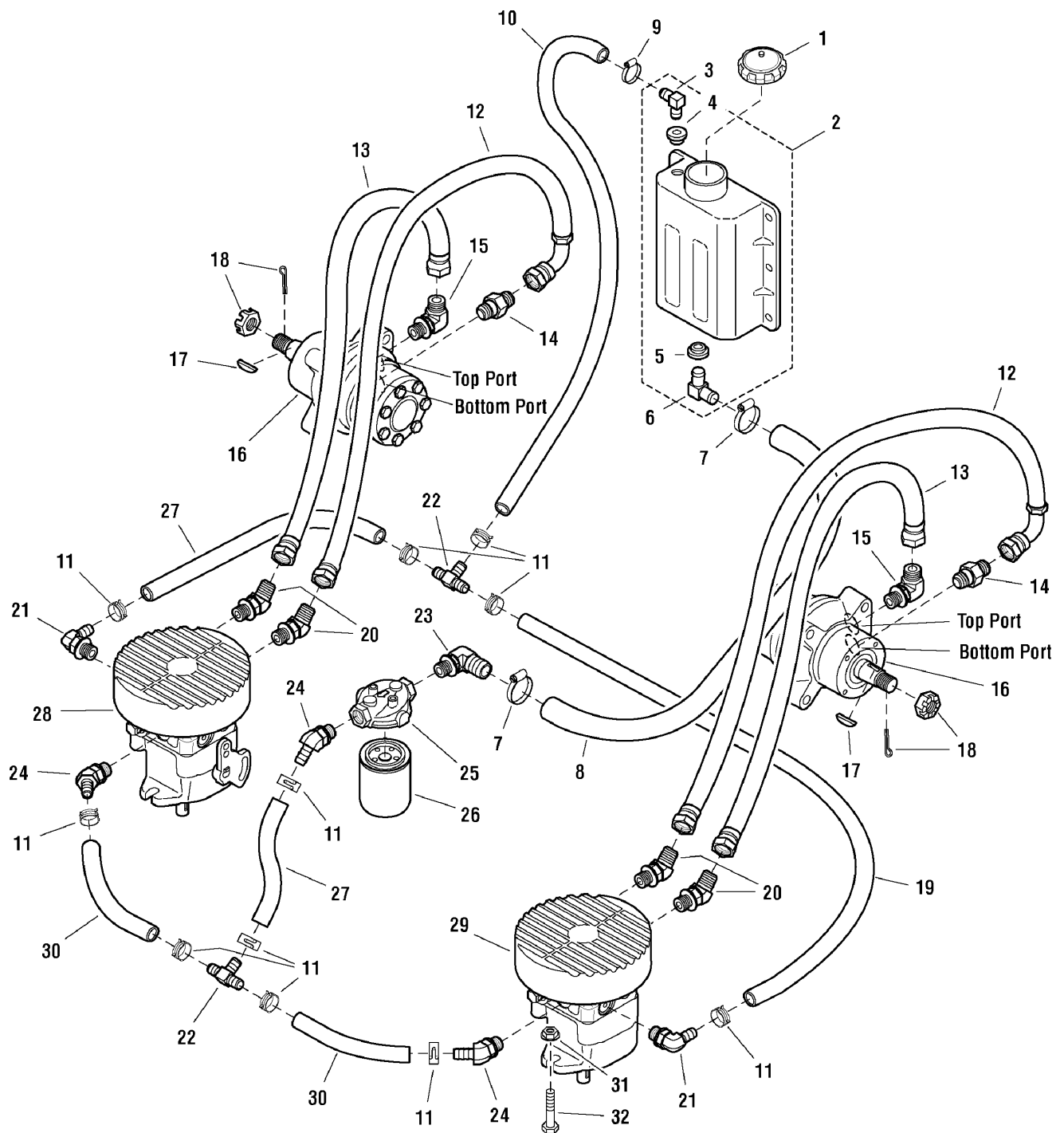
1694768 - Citation

1694769 - Citation

Hydraulic Group

NOTE: Unless noted otherwise,
use the standard hardware torque
specification chart.

197hyd0



The above parts group applies to the following Mfg. Nos.:

1694768 - Citation

1694769 - Citation

Hydraulic Group

REF NO	PART NO.	QTY.	DESCRIPTION
1	5100017	1	CAP, Hydraulic Oil Only
2	5061712	1	HYDRAULIC OIL RESERVOIR, Complete (Includes Ref No. 3 - 6)
3	5023118	1	FITTING, Elbow, 3/8"
4	5023120	1	GROMMET
5	5023121	1	GROMMET
6	5023119	1	FITTING, Elbow, 5/8"
7	5021164	2	CLAMP, #10 Hose
8	505093324	1	HOSE, Hydraulic, 24"
9	5022922	1	CLAMP, #4 Hose
10	505086018	1	HOSE, Hydraulic, 18"
11	5023268	11	CLAMP, Hose
12	5023370	2	HYDRAULIC HOSE ASSEMBLY, 25"
13	5022711	2	HYDRAULIC HOSE ASSEMBLY, 21"
14	5022633	2	FITTING, O-Ring Adapter
15	5022599	2	FITTING, O-Ring, 90 Deg.
16	5023316	2	HYDRAULIC WHEEL MOTOR, Complete (Includes Ref No. 17 & 18)
17	50220422	2	KEY
18	50220423	2	NUT & COTTER PIN
19	505086023	1	HOSE, Hydraulic, 23"
20	5023338	4	FITTING, O-Ring, 45 Deg.
21	5023267	2	FITTING, O-Ring, 90 Deg.
22	5022920	2	FITTING, TEE, 3/8" Hose
23	5023346	1	FITTING, O-Ring, 90 Deg.
24	5023461	3	FITTING, O-Ring, 45 Deg.
25	5023096	1	FILTER HEAD
26	1719168	1	FILTER
27	505086065	2	HOSE, Hydraulic, 6-1/2"
28	5023373	1	HYDRAULIC PUMP, RH
28	5023371	1	FAN SHROUD
29	5023372	1	HYDRAULIC PUMP, LH
29	5023371	1	FAN SHROUD
30	50508606	2	HOSE, Hydraulic, 6"
31	5025128	4	NUT, 3/8-16 Hex Serrated Flange
32	502501310	4	BOLT, 3/8-16 X 1-1/4"

Footnotes

The above parts group applies to the following Mfg. Nos.:

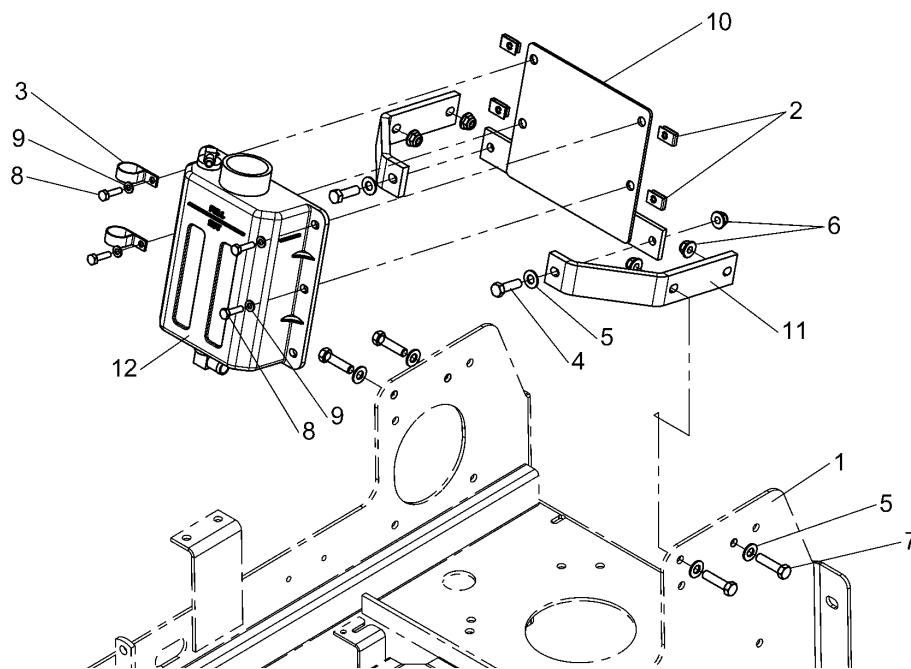
1694768 - Citation

1694769 - Citation

Hydraulic Tank Mount Group

197hyt0

NOTE: Unless noted otherwise,
use the standard hardware torque
specification chart.



The above parts group applies to the following Mfg. Nos.:

1694768 - Citation

1694769 - Citation

Hydraulic Tank Mount Group

REF NO	PART NO.	QTY.	DESCRIPTION
1	-	-	MAIN FRAME (See Main Frame Group)
2	5022665	4	BODY CLIP, 1/4-20
3	5021500	2	CLAMP, Vinyl Insulated
4	502501310	2	BOLT, 3/8-16 X 1-1/4"
5	5025156	6	WASHER, 3/8" SAE
6	5025394	6	NUT, 3/8-16 Hex Nylock Flange
7	502501312	4	BOLT, 3/8-16 X 1-1/2"
8	50250108	4	BOLT, 1/4-20 X 1"
9	5025154	4	WASHER, 1/4" SAE
10	503861747	1	HYDRAULIC TANK MOUNT
11	503861746	2	MOUNT BRACKET
12	-	1	HYDRAULIC TANK (See Hydraulic Group)

Footnotes

The above parts group applies to the following Mfg. Nos.:

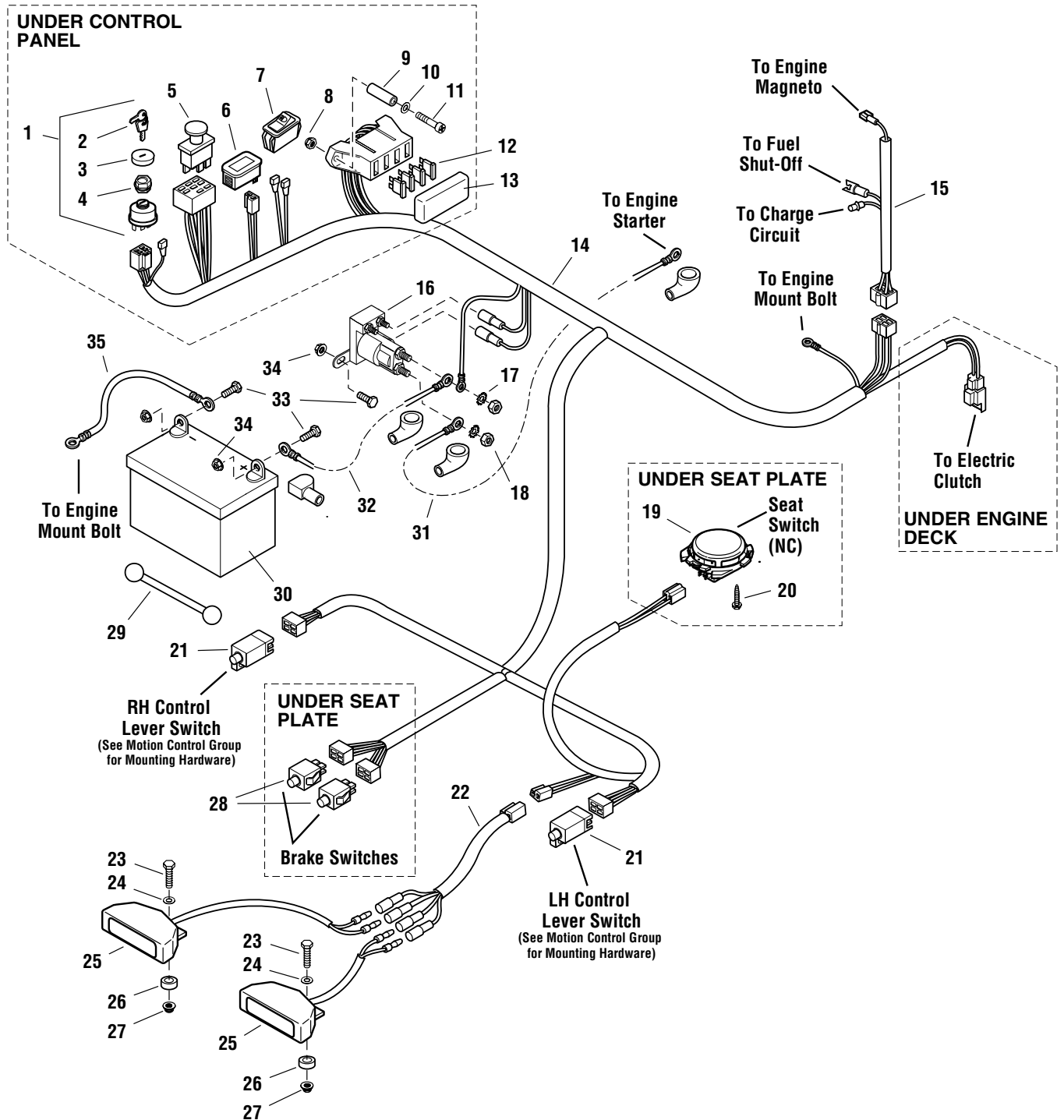
1694768 - Citation

1694769 - Citation

Electrical Group - Early Models

NOTE: Unless noted otherwise, use the standard hardware torque specification chart.

197egb0



The above parts group applies to the following Mfg. Nos.:

- 1694768 - Citation
- 1694769 - Citation

Electrical Group - Early Models

REF NO	PART NO.	QTY.	DESCRIPTION
1	5020927	1	SWITCH, Ignition, Complete (Includes Ref No. 2 - 4)
2	5022789	1	KEY, Ignition Molded (Set of 2)
3	5022790	1	COVER
4	5022791	1	PLASTIC NUT
5	5022180	1	SWITCH, PTO
6	1725523	1	HOUR METER
7	1703799	1	HEADLIGHT SWITCH
8	5025271	2	NUT, #10-24 Hex Nylon Lock
9	5061763	2	SPACER, .20 x .38 x 1.25
10	5023499	2	WASHER, #10 SAE
11	502527016	2	SCREW, #10-24 x 2"
12	5021603	4	FUSE, 20A
13	5022805	1	FUSE BLOCK COVER
14	5049972	1	HARNESS ASSEMBLY, Main
15	5049974	1	ENGINE HARNESS
16	1724815	1	SOLENOID
17	5023217	2	WASHER, Light Lock, 5/16
18	5023216	2	NUT, Hex Jam, 5/16-24
19	1716368	1	SWITCH, Seat, Gray, NC
20	1960536	2	BOLT, Hex Washer Head PLASTITE, 1/4 X 1/2
21	5022095	2	SWITCH, Plunger, NO/NC
22	5061793	1	HEADLIGHT HARNESS
23	502501010	2	BOLT, 1/4-20 X 1-1/4
24	5025154	2	WASHER, 1/4" SAE
25	5023482	2	HEADLIGHT
26	5044933	2	SPACER, .39 X .75 X .38
27	5025391	2	NUT, 1/4-20 Hex Nylock Flange
28	5022182	2	SWITCH, Plunger, Snap-In, NO/NC
29	1722009	1	STRAP, BATTERY, 14 LONG, Rubber
30	1685215	1	BATTERY, Lawn & Garden, 12V (BCIU1, 340 CCA)
31	5023488	1	POSITIVE (+) BATTERY CABLE, 22"
32	5021405	1	POSITIVE (+) BATTERY CABLE, 22"
33	50250106	4	BOLT, 1/4-20 x 3/4
34	5025126	4	NUT, 1/4-20 Hex Serrated Flange
35	5044014	1	CABLE, Ground

Footnotes

The above parts group applies to the following Mfg. Nos.:

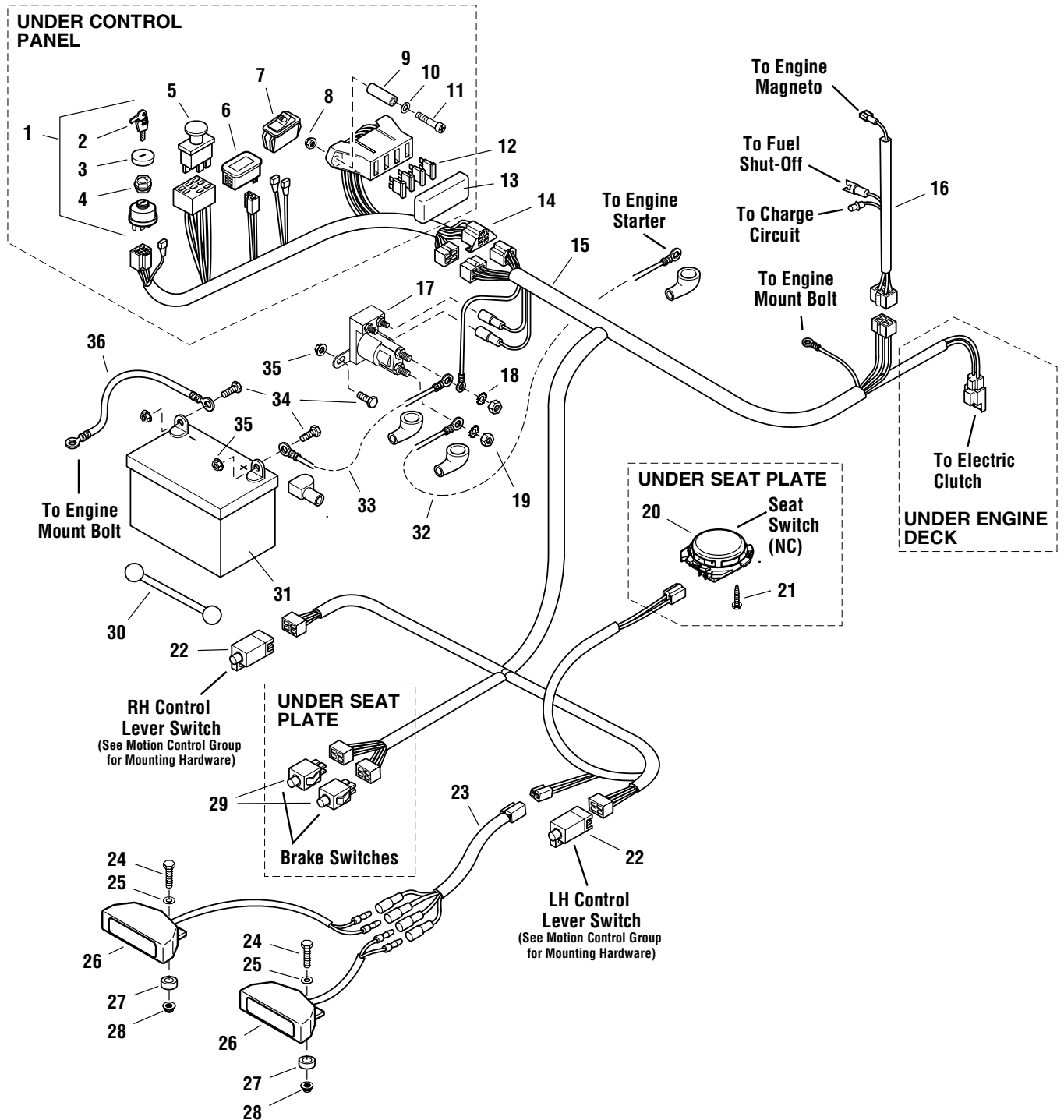
1694768 - Citation

1694769 - Citation

Electrical Group - Later Models

NOTE: Unless noted otherwise, use the standard hardware torque specification chart.

197egb1



The above parts group applies to the following Mfg. Nos.:

1694768 - Citation

1694769 - Citation

Electrical Group - Later Models

REF NO	PART NO.	QTY.	DESCRIPTION
1	5020927	1	SWITCH, Ignition, Complete (Includes Ref No. 2 - 4)
2	5022789	1	KEY, Ignition Molded (Set of 2)
3	5022790	1	COVER
4	5022791	1	PLASTIC NUT
5	5022180	1	SWITCH, PTO
6	1725523	1	HOUR METER
7	1703799	1	HEADLIGHT SWITCH
8	5025271	2	NUT, #10-24 Hex Nylon Lock
9	5061763	2	SPACER, .20 x .38 x 1.25
10	5023499	2	WASHER, #10 SAE
11	502527016	2	SCREW, #10-24 x 2"
12	5021603	4	FUSE, 20A
13	5022805	1	FUSE BLOCK COVER
14	5400067	1	HARNESS ASSEMBLY, Control Panel
15	5400068	1	HARNESS ASSEMBLY, Main
16	5049974	1	ENGINE HARNESS
17	1724815	1	SOLENOID
18	5023217	2	WASHER, Light Lock, 5/16
19	5023216	2	NUT, Hex Jam, 5/16-24
20	1716368	1	SWITCH, Seat, Gray, NC
21	1960536	2	BOLT, Hex Washer Head PLASTITE, 1/4 X 1/2
22	5022095	2	SWITCH, Plunger, NO/NC
23	5061793	1	HEADLIGHT HARNESS
24	502501010	2	BOLT, 1/4-20 X 1-1/4
25	5025154	2	WASHER, 1/4" SAE
26	5023482	2	HEADLIGHT
27	5044933	2	SPACER, .39 X .75 X .38
28	5025391	2	NUT, 1/4-20 Hex Nylock Flange
29	5022182	2	SWITCH, Plunger, Snap-In, NO/NC
30	1722009	1	STRAP, BATTERY, 14 LONG, Rubber
31	1685215	1	BATTERY, Lawn & Garden, 12V (BCIU1, 340 CCA)
32	5023488	1	POSITIVE (+) BATTERY CABLE, 22"
33	5021405	1	POSITIVE (+) BATTERY CABLE, 22"
34	50250106	4	BOLT, 1/4-20 x 3/4
35	5025126	4	NUT, 1/4-20 Hex Serrated Flange
36	5044014	1	CABLE, Ground

Footnotes

The above parts group applies to the following Mfg. Nos.:

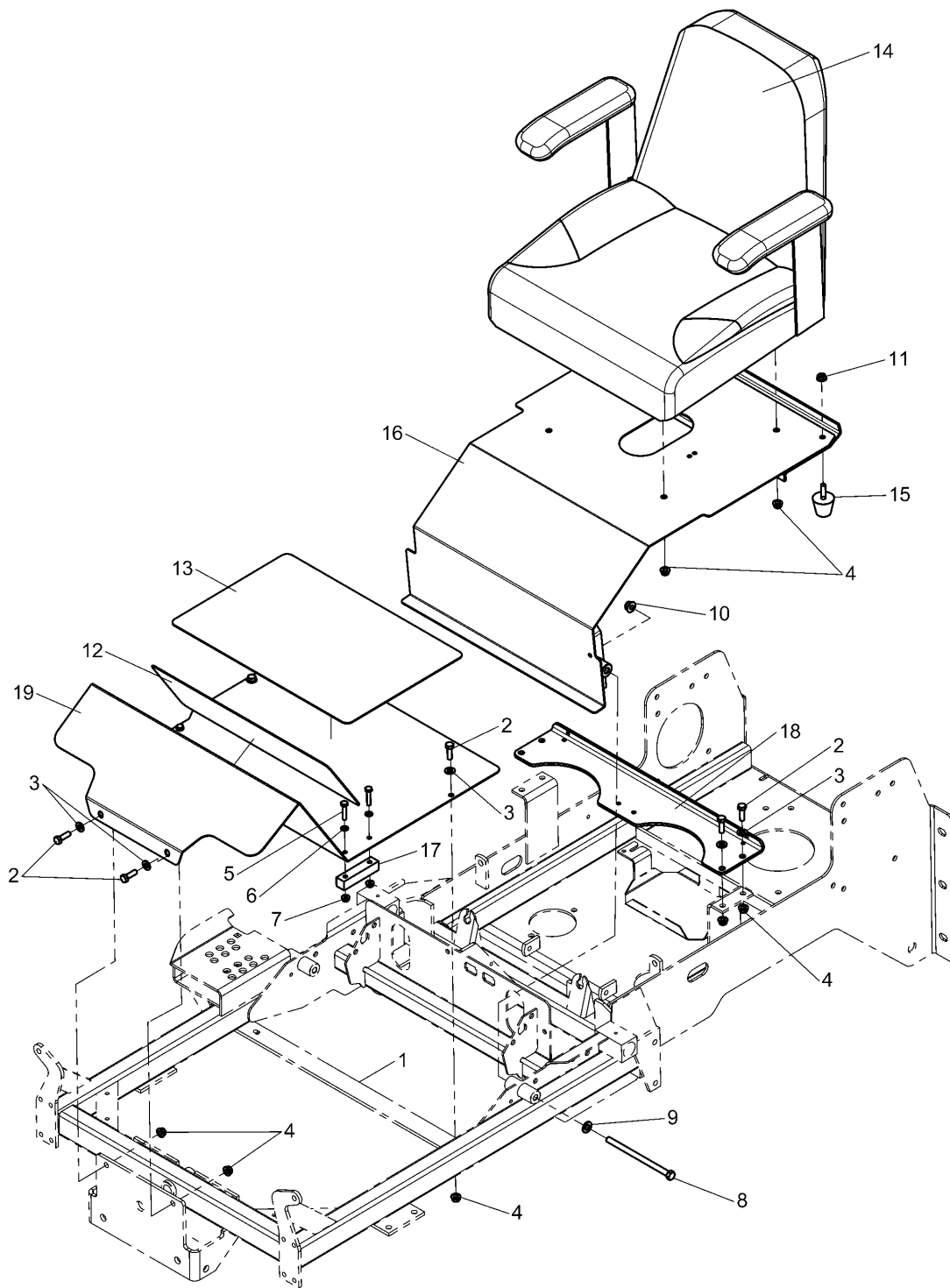
1694768 - Citation

1694769 - Citation

Seat Mount & Floor Group

NOTE: Unless noted otherwise,
use the standard hardware torque
specification chart.

197stm0



The above parts group applies to the following Mfg. Nos.:

1694768 - Citation

1694769 - Citation

Seat Mount & Floor Group

REF NO	PART NO.	QTY.	DESCRIPTION
1	-	-	MAIN FRAME (See Main Frame Group)
2	50250118	8	BOLT, 5/16-18 X 1
3	5025155	8	WASHER 5/16" SAE
4	5025392	12	NUT, 5/16-18 Hex Nylock Flange
5	502501010	4	BOLT, 1/4-20 X 1-1/4
6	5025154	4	WASHER, 1/4" SAE
7	5025391	4	NUT, 1/4-20 Hex Nylock Flange
8	502501348	2	BOLT, 3/8-16 X 6
9	5025156	2	WASHER 3/8" SAE
10	5025394	2	NUT, 3/8-16 Hex Nylock Flange
11	5025127	2	NUT, 5/16-18 Hex Small Serrated Flange
12	5049979	1	SAFETY WALK, FLOOR REST
13	5049978	1	SAFETY WALK, FLOOR PLATE
14	5061599	1	SEAT, BLACK
15	5022612	2	BUMPER, RUBBER 5/16-18
16	5300028	1	ASSM, SEAT PLATE (Includes safety decal)
17	5061754	2	BLOCK, DECK LIFT SUPPORT
18	503849976	1	SUPPORT, SEAT PLATE
19	503849953	1	PLATE, FLOOR

Footnotes

The above parts group applies to the following Mfg. Nos.:

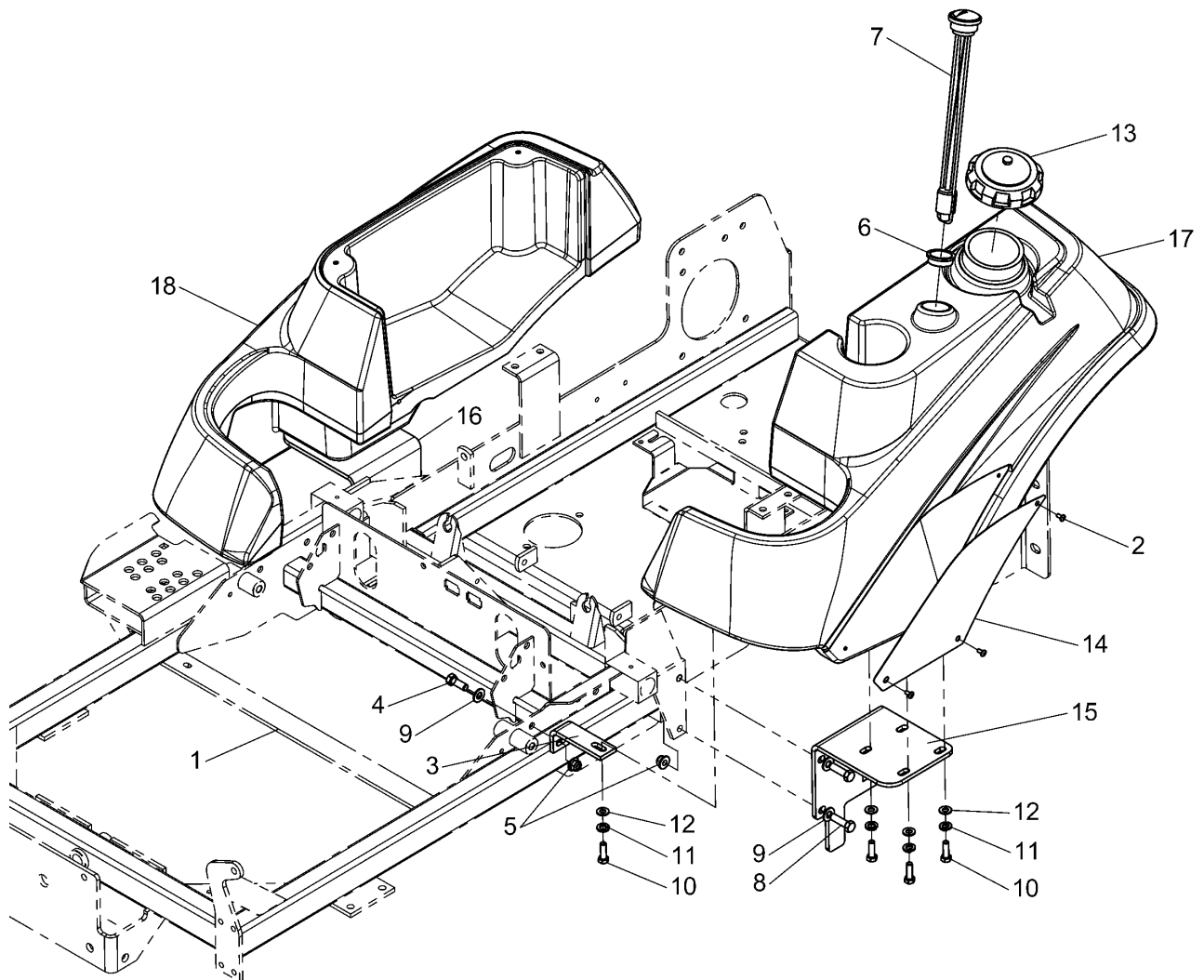
1694768 - Citation

1694769 - Citation

Fuel Tank & Mount Group

NOTE: Unless noted otherwise,
use the standard hardware torque
specification chart.

197tnk0



The above parts group applies to the following Mfg. Nos.:

1694768 - Citation

1694769 - Citation

Fuel Tank & Mount Group

REF NO	PART NO.	QTY.	DESCRIPTION
1	-	-	MAIN FRAME (See Main Frame Group)
2	5025386	3	SCREW, Allen Head, #10-24 x 3/8"
3	5400012C	2	MOUNT, TANK, FRONT
4	50250138	2	BOLT, 3/8-16 X 1" GD5
5	5025394	6	NUT, 3/8-16 Hex Nylock Flange
6	50229171	1	GROMMET
7	5023381	1	GAUGE, FUEL LEVEL
8	502501310	4	BOLT, 3/8-16 X 1-1/4"
9	5025156	6	WASHER 3/8" SAE
10	50250118	10	BOLT, 5/16-18 X 1"
11	5025170	10	WASHER, 5/16" Lock
12	5025155	10	WASHER, 5/16" SAE
13	5022158	1	CAP, FUEL TANK, 3-1/2" NECK
14	5400250C	2	PLATE, BADGE
15	503849942	1	TANK MOUNT - LH
16	503849941	1	TANK MOUNT - RH
17	5049947	1	TANK, FUEL - LH
18	5049948	1	TANK - RH

Footnotes

The above parts group applies to the following Mfg. Nos.:

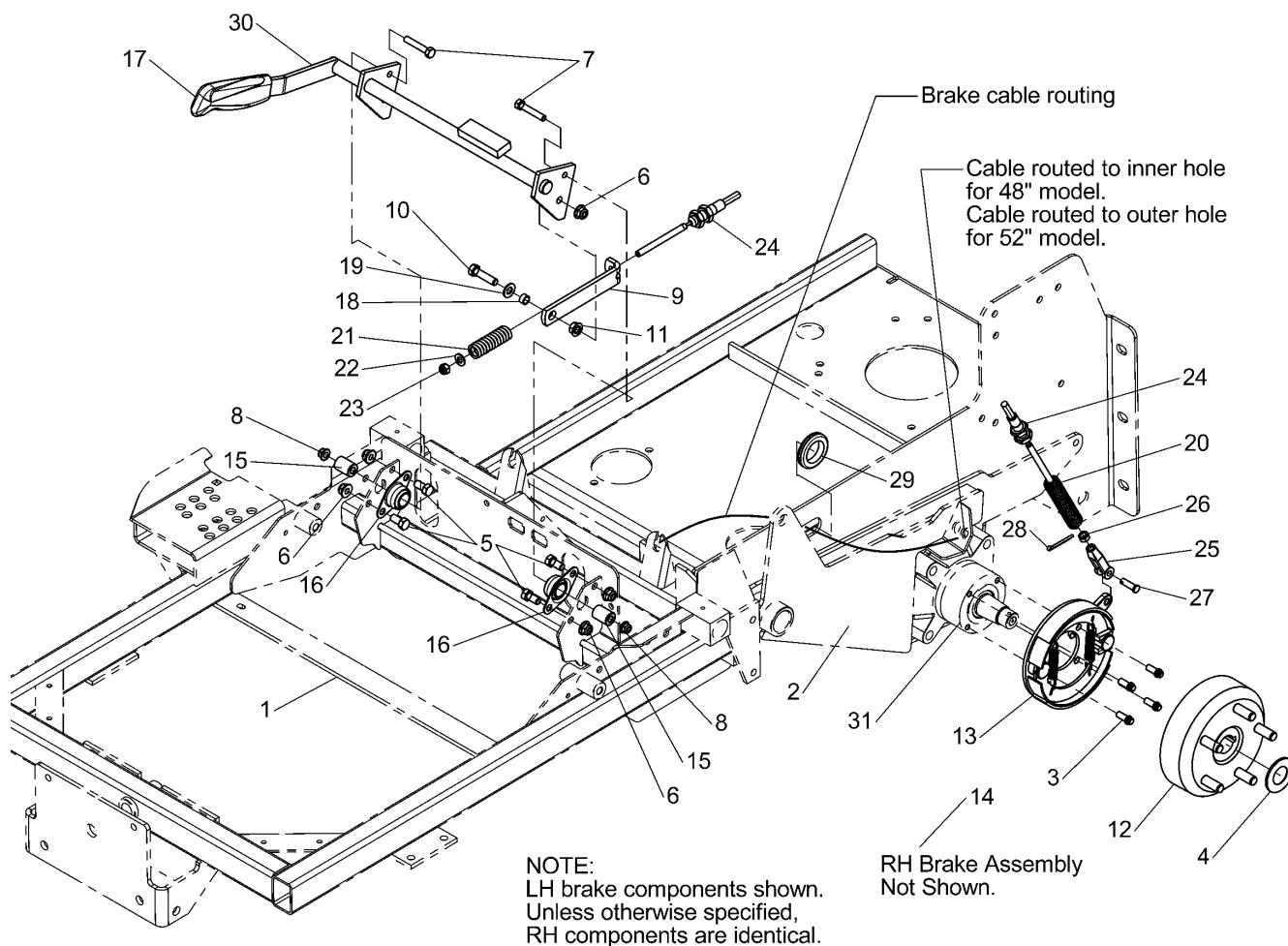
1694768 - Citation

1694769 - Citation

Parking Brake Group

NOTE: Unless noted otherwise, use the standard hardware torque specification chart.

197pbr0



The above parts group applies to the following Mfg. Nos.:

- 1694768 - Citation
- 1694769 - Citation

Parking Brake Group

REF NO	PART NO.	QTY.	DESCRIPTION
1	-	-	MAIN FRAME (See Main Frame Group)
2	-	-	MOTOR MOUNT (See Rear Suspension Group)
3	5023490	8	BOLT, 5/16-18 X 3/4" 12 Point Flange
4	5023249	2	WASHER, 1 x 2
5	50250136	4	BOLT, 3/8-16 X 3/4"
6	5025394	6	NUT, 3/8-16 Hex Nylock Flange
7	502501114	2	BOLT, 5/16-18 X 1-3/4"
8	5025392	2	NUT, 5/16-18 Hex Nylock Flange
9	503861794	2	BRAKE LOCK LINK
10	502501312	2	BOLT, 3/8-16 X 1-1/2"
11	5025128	2	NUT, 3/8-16 Hex Serrated Flange
12	5023368	2	WHEEL & BRAKE HUB
13	5023500	1	BRAKE ASSEMBLY, LH
14	5023501	1	BRAKE ASSEMBLY, RH (Not Shown)
15	5045404	2	SPACER, .32 X .75 X 1.06
16	5021098	2	BEARING, Flange
17	1722302	1	GRIP
18	5041930	2	SPACER, .38 X .50 X .27
19	5025156	2	WASHER, 3/8" SAE
20	5023320	2	SPRING, Compression
21	5022361	2	SPRING, Compression
22	5025155	2	WASHER, 5/16" SAE
23	5025045	2	NUT, 5/16-24 Hex Nylon Lock
24	5023324	2	PARKING BRAKE CABLE
25	5020979	2	CLEVIS, 5/16-24, Plastic
26	5025033	2	NUT, 5/16-24 Hex
27	50252138	2	CLEVIS PIN, 5/16" X 1"
28	502520310	2	COTTER PIN, 1/8" X 1-1/4"
29	5021397	2	GROMMET, 1-1/4"
30	503849831	1	BRAKE SHAFT
31	-	-	WHEEL MOTOR (See Hydraulic Group)

Footnotes

The above parts group applies to the following Mfg. Nos.:

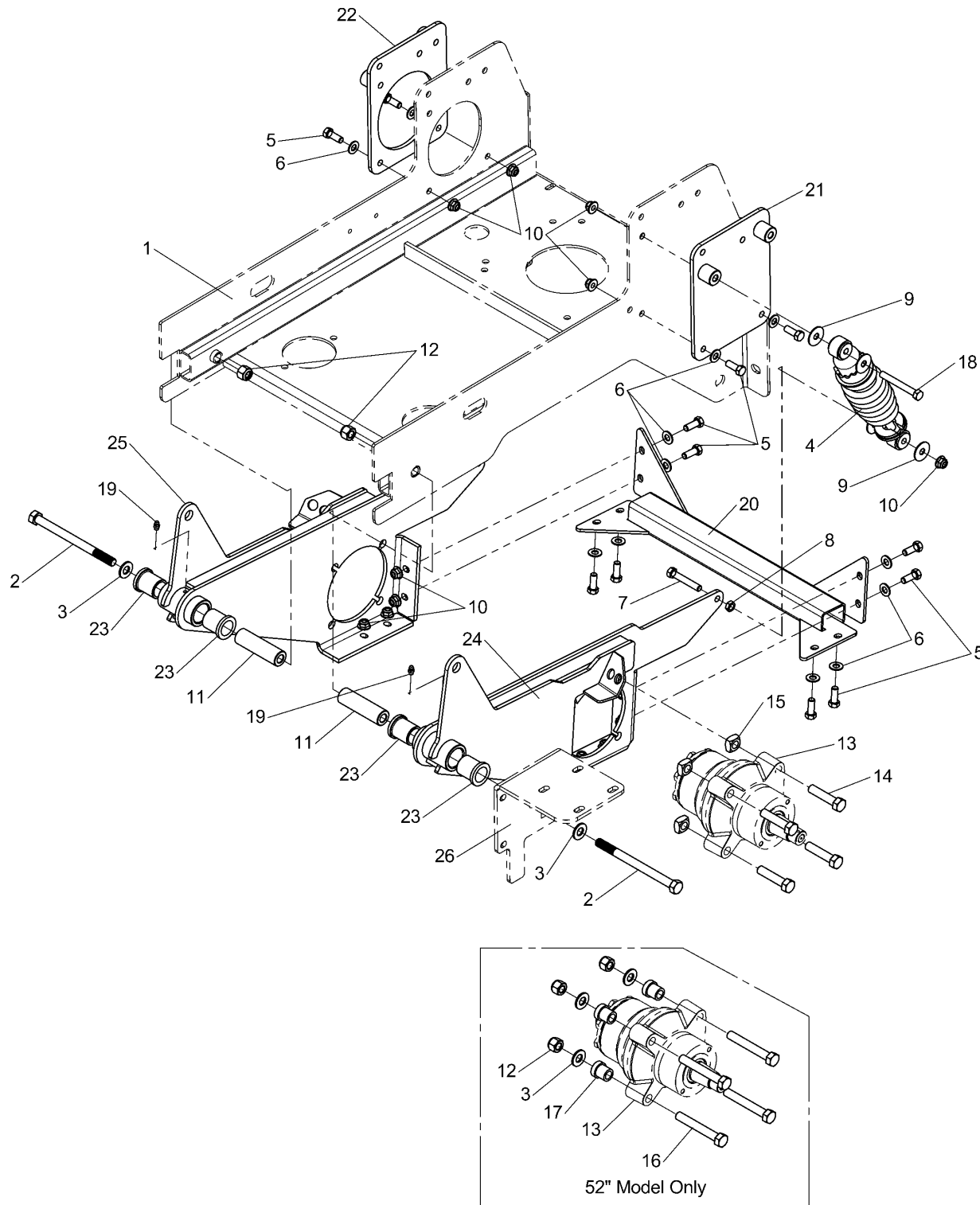
1694768 - Citation

1694769 - Citation

Rear Suspension Group

197susr0

NOTE: Unless noted otherwise,
use the standard hardware torque
specification chart.



The above parts group applies to the following Mfg. Nos.:
1694768 - Citation
1694769 - Citation

Rear Suspension Group

REF NO	PART NO.	QTY.	DESCRIPTION
1	-	-	MAIN FRAME (See Main Frame Group)
2	502501752	2	BOLT, 1/2-13 X 6-1/2"
3	5025158	10	WASHER, 1/2" SAE
4	5023436	2	SHOCK ASSEMBLY
5	50250138	12	BOLT, 3/8-16 X 1"
6	5025156	12	WASHER, 3/8" SAE
7	502505818	2	BOLT, 3/8-16 X 2-1/4" TFL
8	5025084	2	NUT, 3/8-16 Hex Jam
9	5025165	8	WASHER, 3/8" FENDER
10	5025394	17	NUT, 3/8-16 Hex Nylock Flange
11	5061339	2	SPACER, .52 X 1.00 X 3.42
12	5025056	6	NUT, 1/2-13 Hex Nylon Lock
13	-	-	WHEEL MOTOR
14	5023481	4	BOLT, 1/2-13 X 2-1/4" w/ Loctite Patch
15	5025330	4	NUT, 1/2-13 Square
16	502501728	4	BOLT, 1/2-13 X 3-1/2"
17	5061670	8	SPACER, .53 X 1.00 X 1.00
18	502501324	2	BOLT, 3/8-16 X 3"
19	5020020	2	GREASE FITTING
20	503861628	1	TIE BAR
21	503861750	1	FRAME SUPPORT, LH
22	503861752	1	FRAME SUPPORT, RH
23	5021541	4	BUSHING, Flange
24	503849813	1	MOTOR MOUNT, RH
25	503849812	1	MOTOR MOUNT, LH
26	-	-	TANK MOUNT (See Fuel Tank & Mount Group)

Footnotes

(See Hydraulic Group)

The above parts group applies to the following Mfg. Nos.:

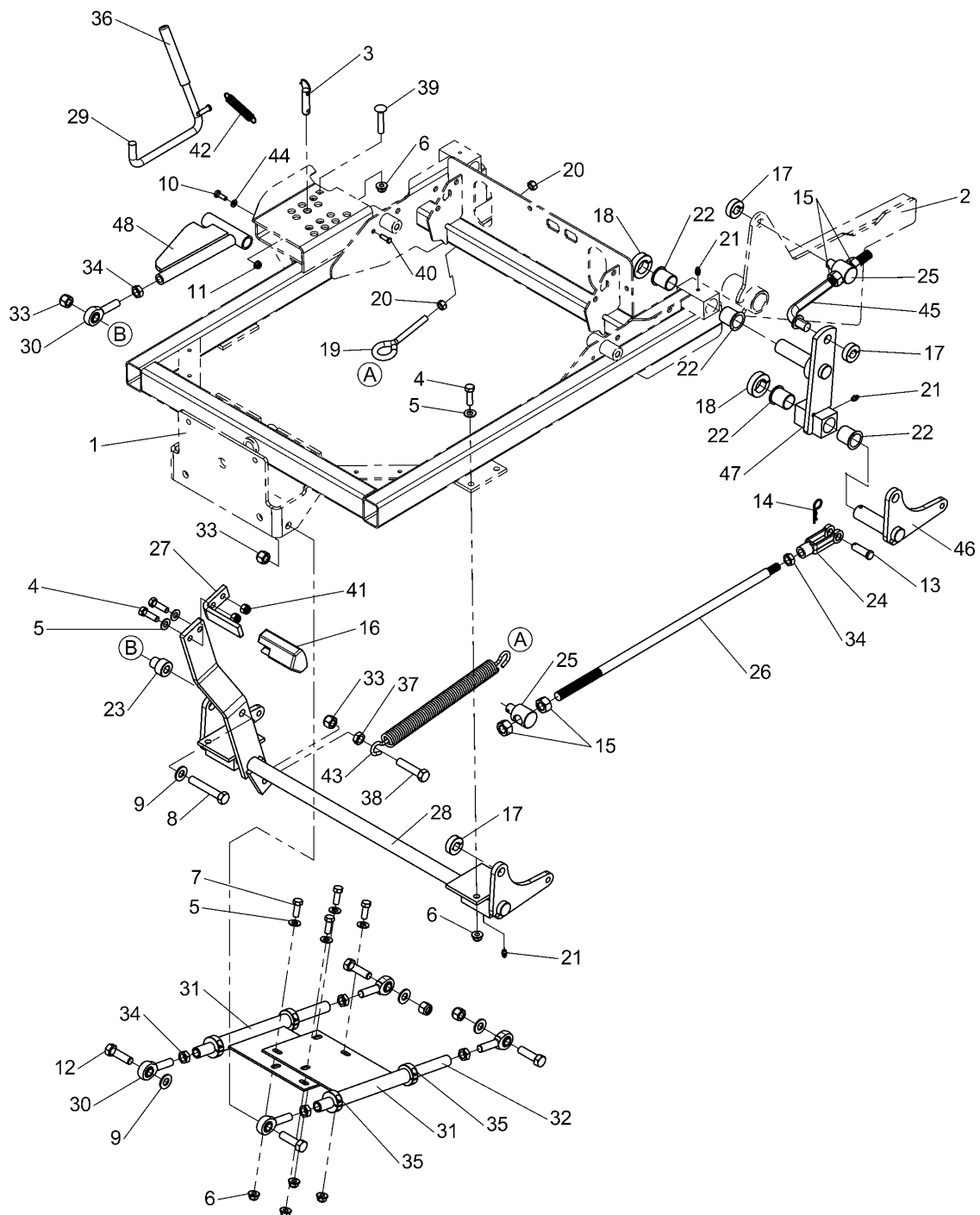
1694768 - Citation

1694769 - Citation

Deck Lift Group

NOTE: Unless noted otherwise,
use the standard hardware torque
specification chart.

197d1t0



The above parts group applies to the following Mfg. Nos.:

1694768 - Citation

1694769 - Citation

Deck Lift Group

REF NO	PART NO.	QTY.	DESCRIPTION
1	-	-	MAIN FRAME (See Main Frame Group)
2	-	-	MOTOR MOUNT (See Rear Suspension Group)
3	5023498	1	HITCH PIN, 1/2 X 2"
4	502501310	6	BOLT, 3/8-16 X 1-1/4"
5	5025156	10	WASHER, 3/8" SAE
6	5025394	9	NUT, 3/8-16 Hex Nylock Flange
7	50250138	4	BOLT, 3/8-16 X 1"
8	502501724	1	BOLT, 1/2-13 X 3"
9	5025158	5	WASHER, 1/2" SAE
10	50250106	2	BOLT, 1/4-20 x 3/4"
11	5025391	2	NUT, 1/4-20 Hex Nylock Flange
12	502501714	4	BOLT, 1/2-13 X 1-3/4"
13	5043686	2	CLEVIS PIN, 1/2" X 1-1/4"
14	5025210	2	HAIR PIN CLIP
15	5025040	8	NUT, 5/8-11 HEX
16	1715834	1	FOOT PEDAL
17	5020441	5	COLLAR, 5/8" Split
18	5020602	4	COLLAR, 1" Split
19	5023497	1	EYE BOLT, 3/8-16 X 5"
20	5025034	2	NUT, 3/8-16 Hex
21	5020095	6	GREASE FITTING
22	5023343	8	BUSHING, Flange
23	5047103	1	ADAPTER, CASTER AXLE
24	5023174	2	CLEVIS , 1/2-20, STEEL
25	5045447	4	SPRING ROD PIVOT
26	5049971	2	DECK ADJUSTMENT ROD
27	503861569	1	FOOT PEDAL MOUNT
28	503849839	1	DECK LIFT SHAFT
29	5061527	1	DECK LIFT LOCK ROD
30	5022434	5	BALL JOINT, 1/2-20 Male
31	503849867	2	DECK STABILIZER
32	5049868	2	DECK STABILIZER SHAFT
33	5025056	6	NUT, 1/2-13 Hex Nylon Lock
34	5025089	6	NUT, 1/2-20 Hex Jam
35	5010114	4	COLLAR, 3/4" Split
36	5021880	1	GRIP
37	5025301	1	NUT, 1/2-13 Hex Jam
38	502501718	1	BOLT, 1/2-13 X 2-1/4"
39	502514616	1	CARRIAGE BOLT, 3/8-16 X 2"
40	5025412	1	CLEVIS PIN, 1/4" x 3/4"
41	5025096	2	NUT, 3/8-16 Hex Nylon Lock
42	5020639	1	SPRING, Extension
43	5023355	1	DECK LIFT SPRING
44	5025154	2	WASHER, 1/4" SAE

Footnotes

The above parts group applies to the following Mfg. Nos.:

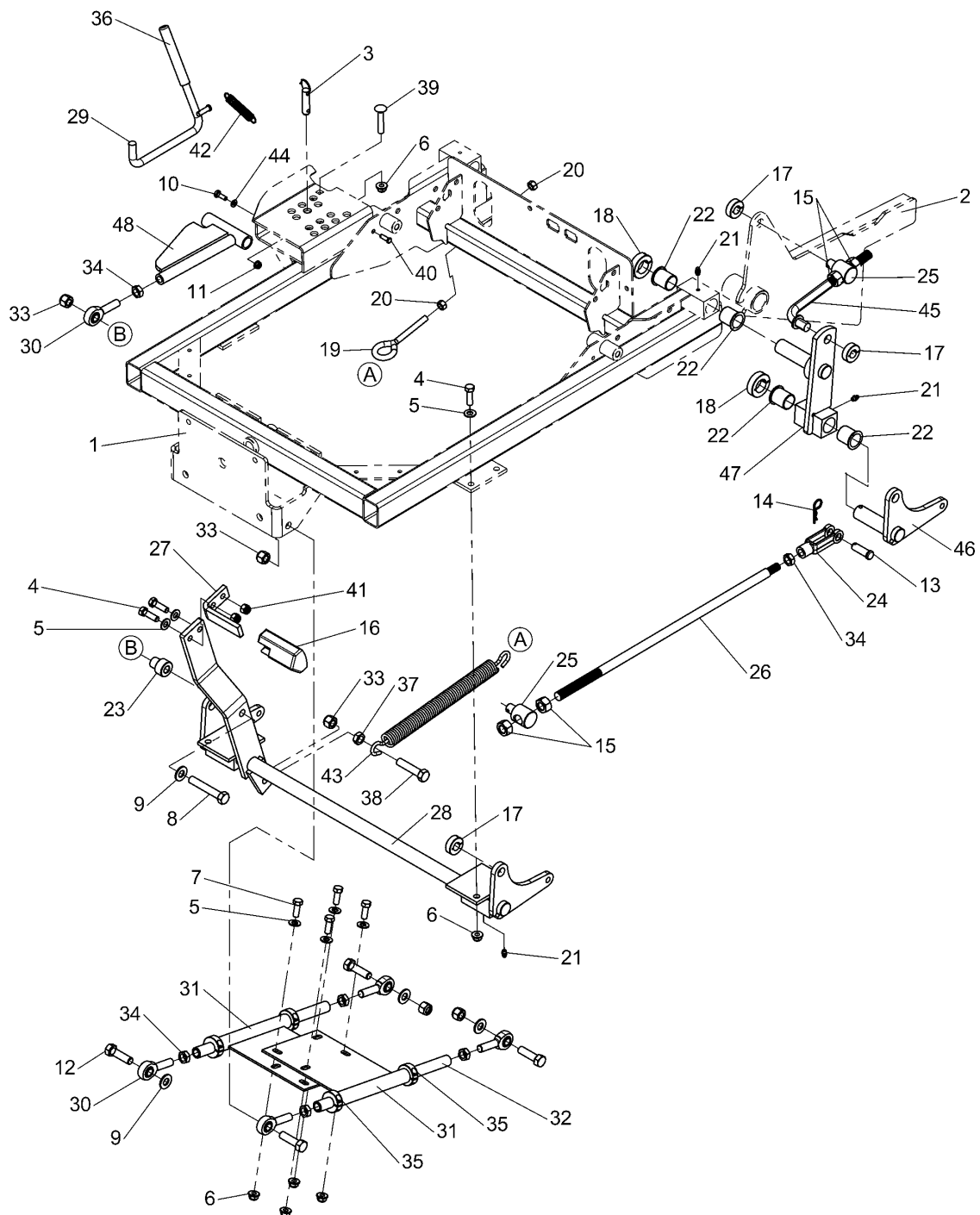
1694768 - Citation

1694769 - Citation

Deck Lift Group

NOTE: Unless noted otherwise,
use the standard hardware torque
specification chart.

197dlto



The above parts group applies to the following Mfg. Nos.:

1694768 - Citation

1694769 - Citation

Deck Lift Group

REF NO	PART NO.	QTY.	DESCRIPTION
45	5049848	2	DECK LIFT ROD
46	503845449	1	DECK LIFT PIVOT, LH (Shown)
46	503845450	1	DECK LIFT PIVOT, RH (Not Shown)
47	503849836	1	REAR DECK LIFT, LH (Shown)
47	503849837	1	REAR DECK LIFT, RH (Not Shown)
48	5061523	1	DECK ADJUST LINK

Footnotes

The above parts group applies to the following Mfg. Nos.:

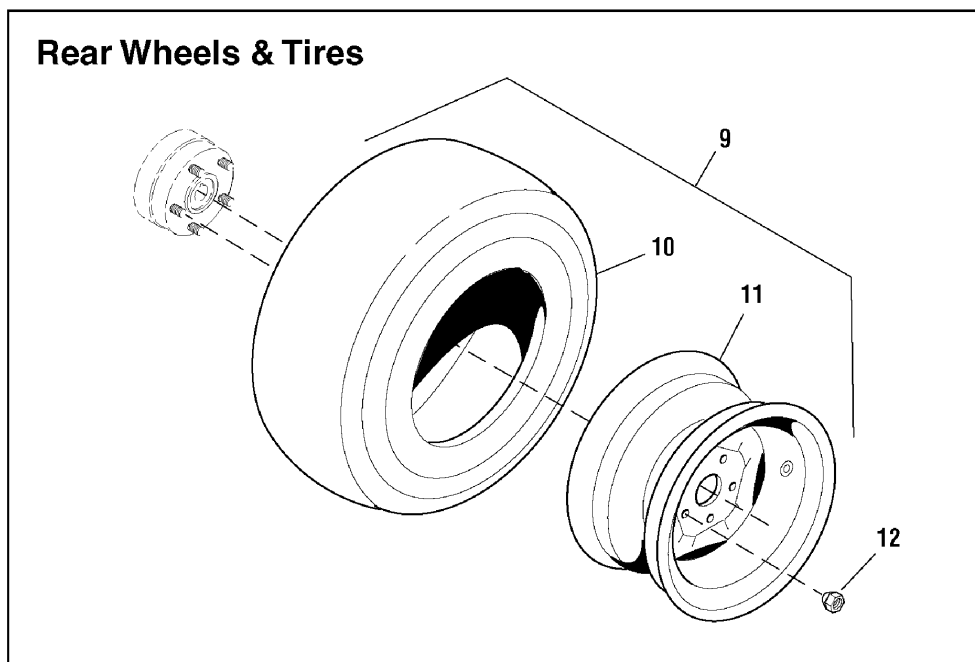
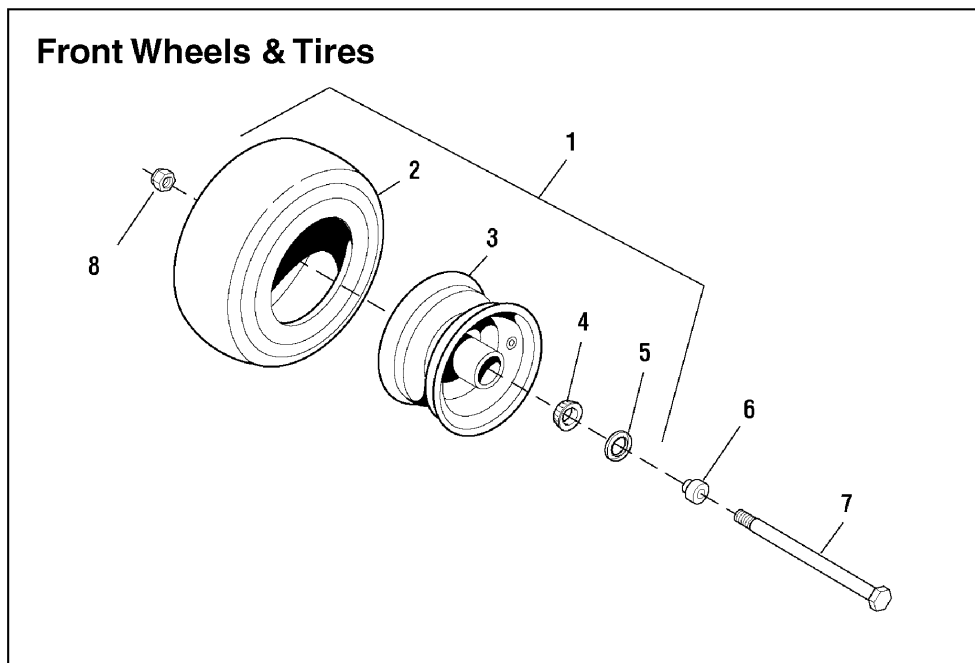
1694768 - Citation

1694769 - Citation

Wheel & Tire Group

NOTE: Unless noted otherwise,
use the standard hardware torque
specification chart.

197wh10



The above parts group applies to the following Mfg. Nos.:

1694768 - Citation

1694769 - Citation

Wheel & Tire Group

REF NO	PART NO.	QTY.	DESCRIPTION
1	5022631S	2	WHEEL & TIRE ASSEMBLY, 13 x 5.0 - 6, Complete (Includes Ref No. 2 - 7)
2	50220291	2	TIRE, 13 x 5.0 -6
3	5022631S1	2	WHEEL ASSEMBLY, for 13 x 5.0 - 6 Tire, Complete (Includes Ref No. 4 & 5)
4	5022631S2	4	BEARING, Tapered Roller (2 per tire)
5	5022631S3	4	GREASE SEAL (2 per tire)
6	5047103	4	ADAPTER, Caster Wheel (2 per tire)
7	502501764	2	BOLT, 1/2-13 x 8"
8	5025056	2	NUT, 1/2-13 Hex Nylon Lock
9	5023369	2	WHEEL & TIRE ASSEMBLY, 22 x 11 - 10, Complete (Includes Ref No. 10 & 11)
10	50233692	2	TIRE, 22 x 11 - 10
11	50233691	2	WHEEL ASSEMBLY, 10 X 7
12	5020601	10	LUG NUT, 1/2-20

Footnotes

The above parts group applies to the following Mfg. Nos.:

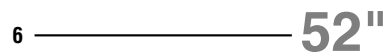
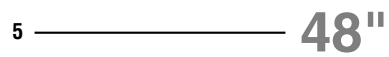
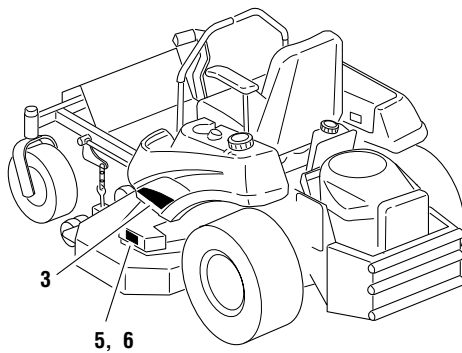
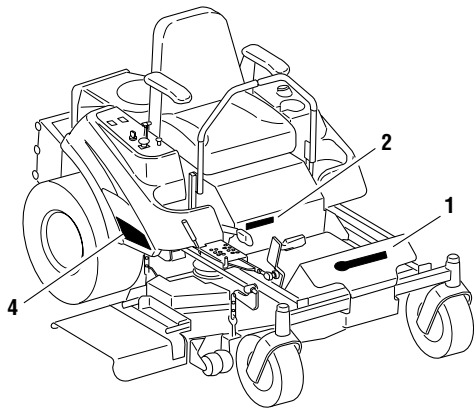
1694768 - Citation

1694769 - Citation

Decals - Brand & Model

NOTE: Unless noted otherwise,
use the standard hardware torque
specification chart.

197dclb



The above parts group applies to the following Mfg. Nos.:

1694768 - Citation

1694769 - Citation

Decals - Brand & Model

REF NO	PART NO.	QTY.	DESCRIPTION
1	1722551	1	DECAL, Simplicity Logo
2	5061821	1	DECAL, Citation
3	5061817	1	DECAL, Badge, RH
4	5061816	1	DECAL, Badge, LH
5	5022811	1	DECAL, 48"
6	5022812	1	DECAL, 52"

Footnotes

The above parts group applies to the following Mfg. Nos.:

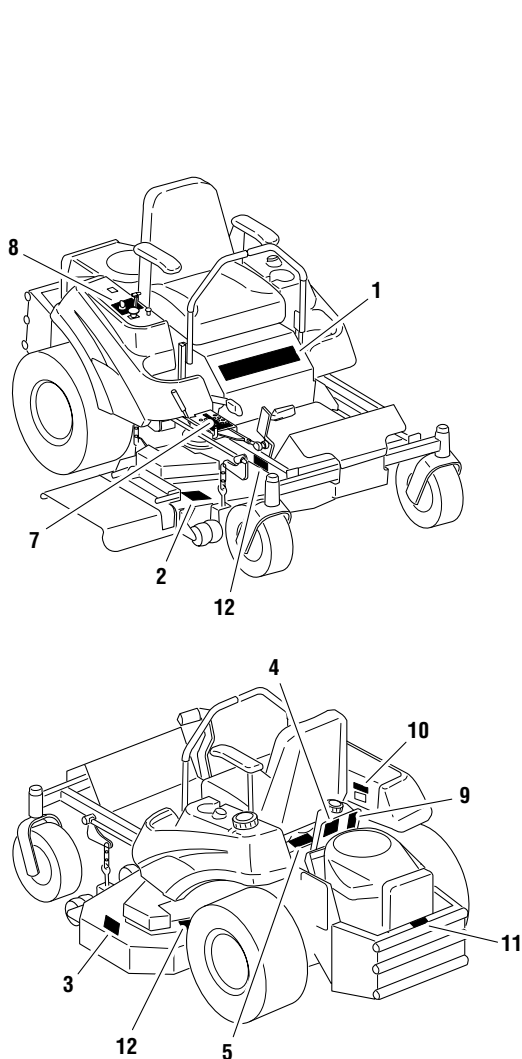
1694768 - Citation

1694769 - Citation

Decals - Safety & Operation

NOTE: Unless noted otherwise, use the standard hardware torque specification chart.

197dcls



1 ———

2 ———

3 ———

4 ———

5 ———

6 ———

Bolts & Blades	
Traction	
Pump Drive Bolt	092314
44" Mower Deck Drive Bolt	092349
44" Mower Deck Blade	091977
48" Mower Deck Drive Bolt	092327
48" Mower Deck Blade	092069
52" Mower Deck Drive Bolt	092383
52" Mower Deck Blade	091977

7 ———

8 ———

9 ———

HYDRAULIC OIL RESERVOIR			
USE EITHER:			
HYDRA 1			
15W-50 OIL			
OR			
CASTROL SYNTEC®			
5W-50 OIL			
DO NOT USE CONVENTIONAL OILS!			

10 ———

Key	Charge	PTO	
Switch	Circuit	Clutch	Auxiliary
20A	20A	20A	20A

11 ———

The above parts group applies to the following Mfg. Nos.:
 1694768 - Citation
 1694769 - Citation

Decals - Safety & Operation

REF NO	PART NO.	QTY.	DESCRIPTION
1	5061106	1	DECAL, Main
2	1704277	1	DECAL, Danger (Chute In Place)
3	1704276	1	DECAL, Danger (Hand Under Deck)
4	5049658	1	DECAL, Danger
5	1725941	1	DECAL, CZT Hydro Release
6	5061790	1	DECAL, Belt & Blade (located under seat mount)
7	5061724	1	DECAL, Height of Cut
8	5061572	1	DECAL, Ignition / Throttle
9	5048454	1	DECAL, Oil Reservoir
10	5046503	1	DECAL, Fuse Location
11	1704473	1	DECAL, Hot
12	*	1	DECAL, ID Plate

Footnotes

* Not a serviceable part.

The above parts group applies to the following Mfg. Nos.:

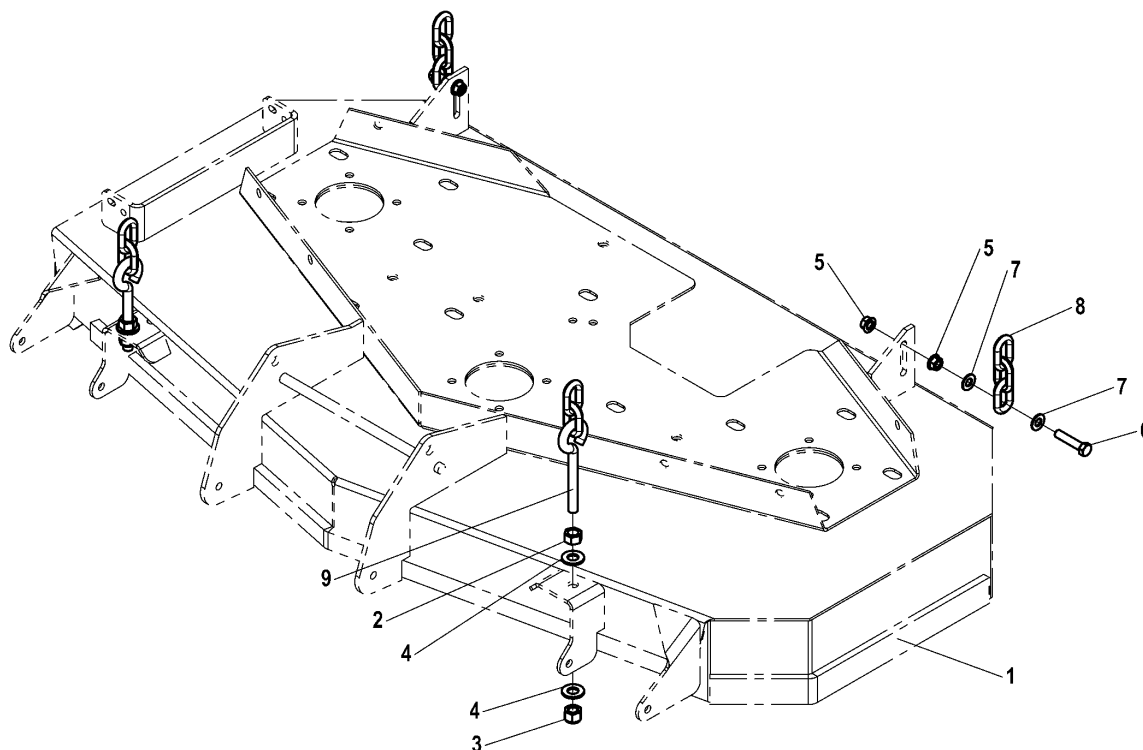
1694768 - Citation

1694769 - Citation

48" & 52" Mower Deck - Hanger Chains

NOTE: Unless noted otherwise,
use the standard hardware torque
specification chart.

1975ch0



The above parts group applies to the following Mfg. Nos.:

1694770 - 48" Mower

1694771 - 52" Mower

48" & 52" Mower Deck - Hanger Chains

REF NO	PART NO.	QTY.	DESCRIPTION
1	-	-	MOWER DECK
2	5025038	2	NUT, 1/2-13 Hex
3	5025056	2	NUT, 1/2-13 Hex Nylon Lock
4	5025158	4	WASHER, 1/2" SAE
5	5025128	4	NUT, 3/8-16 Hex Large Serrated Flange
6	502501314	2	BOLT, 3/8-16 X 1-3/4"
7	5025156	4	WASHER 3/8" SAE
8	50508783	2	CHAIN, 5/16" GD30, 3 LINKS
9	5047503	2	HANGER, Front Deck, 2 Link

Footnotes

The above parts group applies to the following Mfg. Nos.:

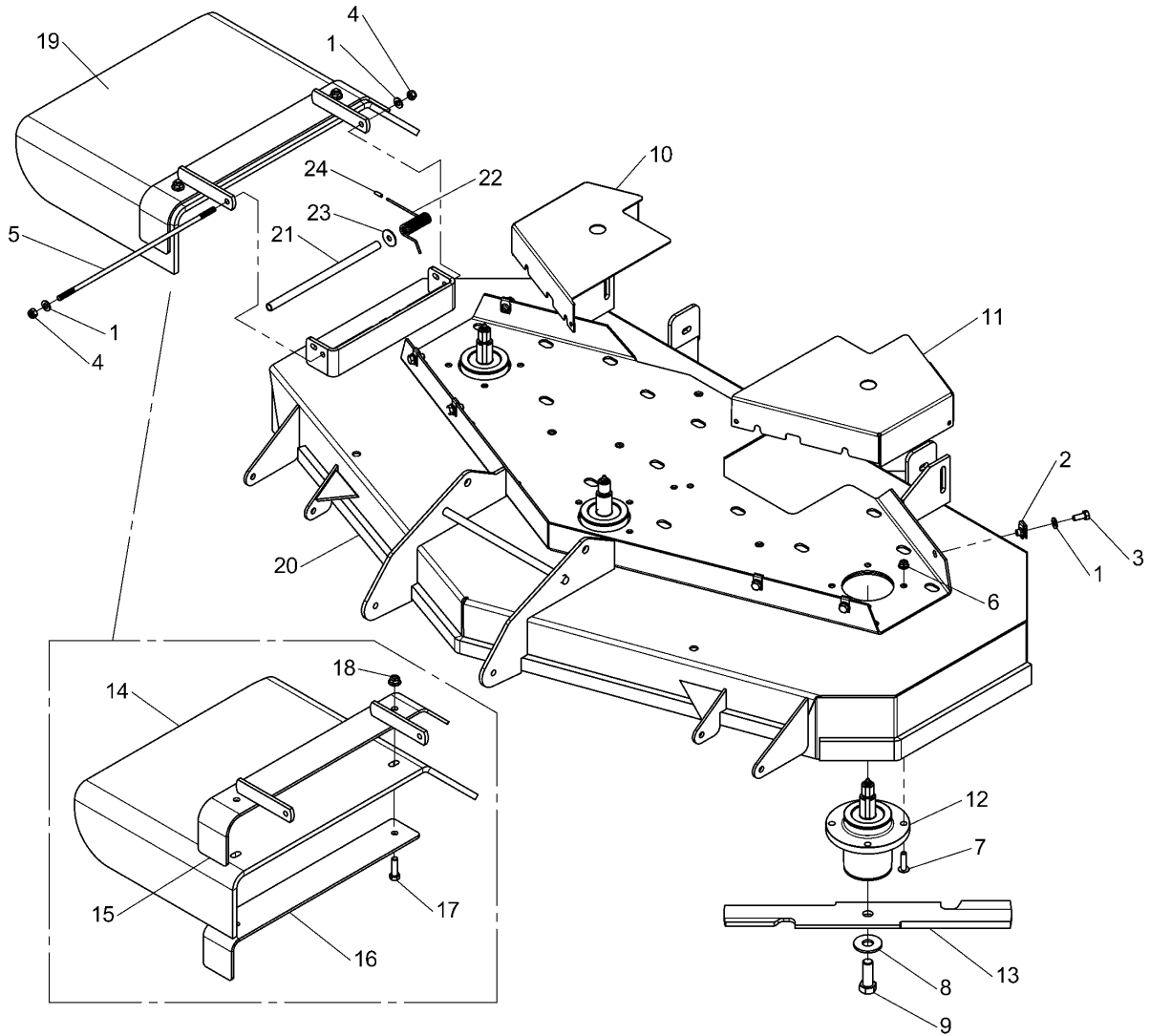
1694770 - 48" Mower

1694771 - 52" Mower

48" & 52" Mower Deck - Housing, Cover, Spindle & Blade

1975hc0

NOTE: Unless noted otherwise,
use the standard hardware torque
specification chart.



The above parts group applies to the following Mfg. Nos.:

1694770 - 48" Mower

1694771 - 52" Mower

48" & 52" Mower Deck - Housing, Cover, Spindle & Blade

REF NO	PART NO.	QTY.	DESCRIPTION
1	5025155	8	WASHER, 5/16" SAE
2	5022308	6	BODY CLIP, 5/16-18
3	50250116	6	BOLT, 5/16-18 X 3/4"
4	5025045	2	NUT 5/16-24 Hex Nylon Lock
5	5042555	1	ROD, Linkage
6	5025392	12	NUT, 5/16-18 Hex Nylock Flange
7	5023156	12	BOLT, Flange Head, 5/16-18 x 1-1/4
8	5025159	3	WASHER, 5/8" USS
9	502532014	3	BOLT, 5/8-11 X 1-3/4"
10	503849881	1	GUARD, 48" DECK - RH
10	503861810	1	GUARD, 52" DECK - RH
11	503849882	1	GUARD, 48" DECK - LH
11	503861811	1	GUARD, 52" DECK - LH
12	5061095	3	SPINDLE ASSEMBLY, Complete (See Spindle Service Parts group)
13	5020843	3	MOWER BLADE, 16-1/4" (48" deck)
13	5021227	3	MOWER BLADE, 18" (52" Deck)
14	5061582	1	RUBBER CHUTE
15	503861581	1	CHUTE FRAME
16	503861586	1	CHUTE SUPPORT
17	502501310	1	BOLT, 3/8-16 X 1-1/4"
18	5025394	1	NUT, 3/8-16 Hex Nylock Flange
19	503861596	1	DISCHARGE CHUTE ASSEMBLY (Includes Ref No. 15 - 19)
20	5300030	1	48" MOWER DECK ASSEMBLY (Includes safety decals)
20	5300031	1	52" MOWER DECK ASSEMBLY (Includes safety decals)
21	5061598	1	TORSION SPRING SPACER
22	5023385	1	TORSION SPRING
23	5025164	1	WASHER, 5/16" Fender
24	5023489	1	CAP

Footnotes

The above parts group applies to the following Mfg. Nos.:

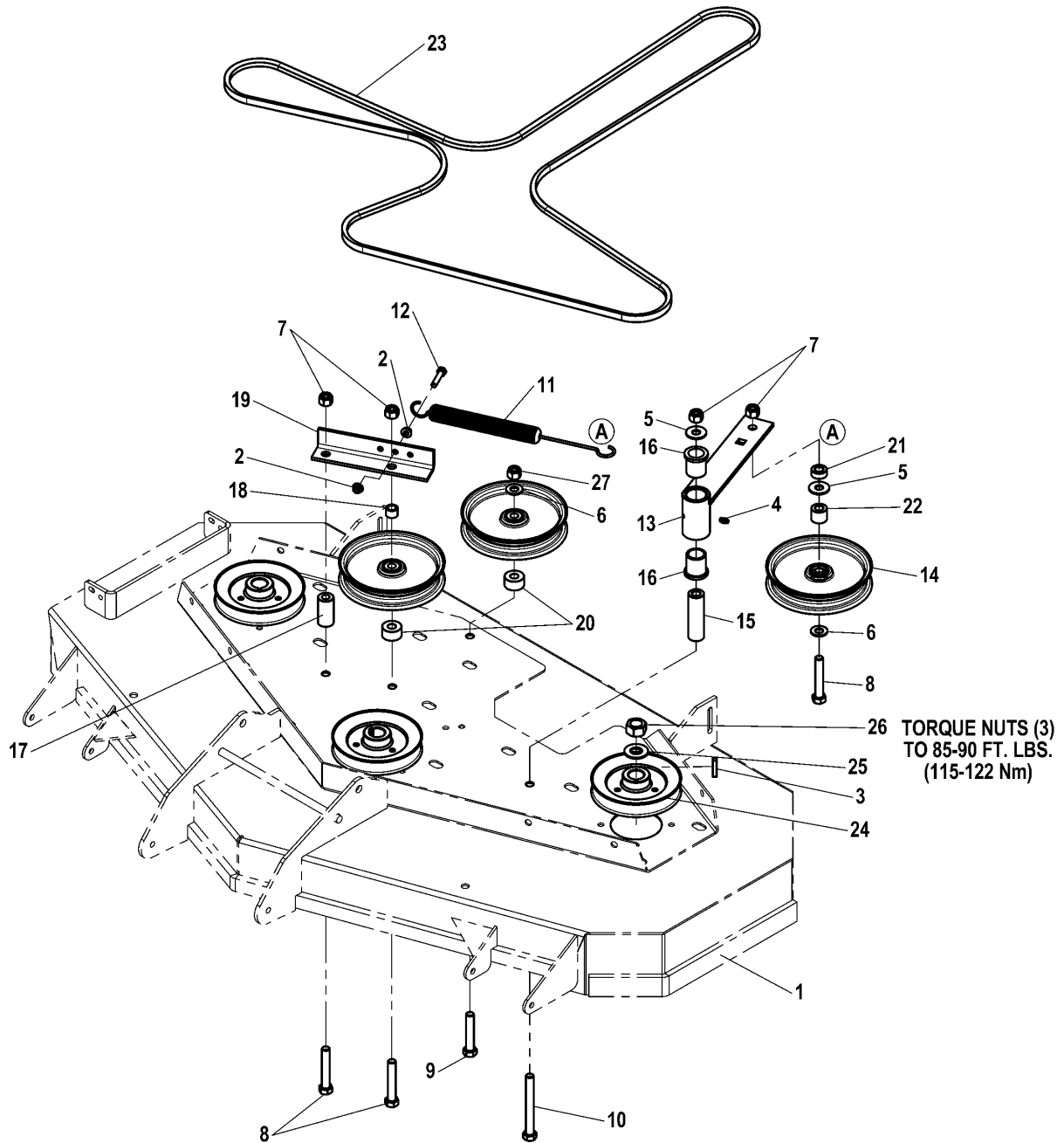
1694770 - 48" Mower

1694771 - 52" Mower

48" & 52" Mower Deck - Pulleys, Belts & Idler Arm

1975pb0

NOTE: Unless noted otherwise,
use the standard hardware torque
specification chart.



The above parts group applies to the following Mfg. Nos.:

1694770 - 48" Mower

1694771 - 52" Mower

48" & 52" Mower Deck - Pulleys, Belts & Idler Arm

REF NO	PART NO.	QTY.	DESCRIPTION
1	-	-	MOWER DECK
2	5025127	2	NUT, 5/16-18 Hex Small Serrated Flange
3	50504075	3	KEY, 1/4 SQ. X 1-1/4
4	5020095	1	GREASE FITTING
5	5025150	2	WASHER, 1/2" USS
6	5025158	2	WASHER, 1/2" SAE
7	5025056	4	NUT, 1/2-13 Hex Nylon Lock
8	502501726	3	BOLT, 1/2-13 x 3-1/4
9	502501820	1	BOLT, 1/2-20 x 2-1/2
10	505025422	1	BOLT, 1/2-13 X 4-3/4
11	5023340	1	SPRING, Extension, Swivel End
12	502501112	1	BOLT, 5/16-18 x 1-1/2
13	503845106	1	IDLER ARM
14	5021976	3	PULLEY, Idler
15	5061339	1	SPACER, .52 X 1.00 X 3.42
16	5021541	2	BUSHING, Flange
17	5043607	1	SPACER, .50 X 1.00 X 2.00
18	5047027	1	SPACER, .51 X .75 X .56
19	503849874	1	ANCHOR, SPRING
20	5047142	2	SPACER, .52 X 1.25 X .70
21	5045023	1	SPACER, .52 X 1.00 X .44
22	5044673	1	SPACER, .52 X 1.00 X .88
23	5023297	1	BELT, 48" DECK
23	5023435	1	BELT, 52" DECK
24	5023175	3	PULLEY, Spindle, 5.72" (48" Deck)
24	5023178	3	PULLEY, Spindle, 6.12" (52" Deck)
25	5025406	1	WASHER, 3/4" Belleville (Included with Complete Spindle Assembly)
26	5025405	1	NUT, 3/4-16 Hex (Included with Complete Spindle Assembly)
27	5025098	1	NUT, 1/2-20 Hex Nylon Lock

Footnotes

The above parts group applies to the following Mfg. Nos.:

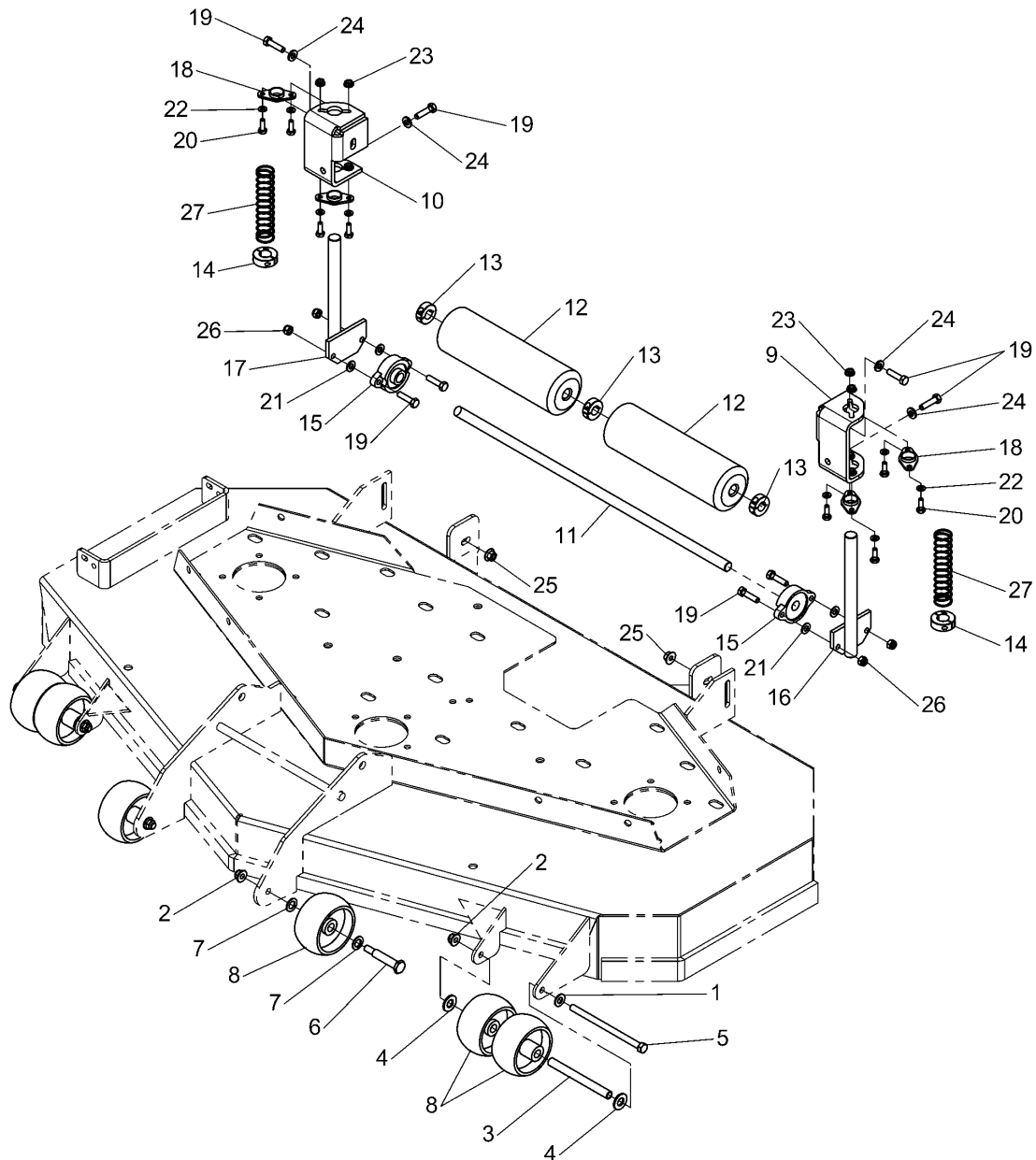
1694770 - 48" Mower

1694771 - 52" Mower

48" & 52" Mower Deck - Rollers

NOTE: Unless noted otherwise,
use the standard hardware torque
specification chart.

1975r10



The above parts group applies to the following Mfg. Nos.:

1694770 - 48" Mower

1694771 - 52" Mower

48" & 52" Mower Deck - Rollers

REF NO	PART NO.	QTY.	DESCRIPTION
1	5025156	2	WASHER 3/8" SAE
2	5025394	4	NUT, 3/8-16 Hex Nylock Flange
3	5046586	2	SPACER, .38 X .50 X 5.06
4	5025158	4	WASHER, 1/2" SAE
5	502501348	2	BOLT, 3/8-16 X 6"
6	108765	2	BOLT, REAR WHEEL
7	1960027	4	WASHER
8	1714760	6	GAUGE WHEEL
9	503848603	1	STRIPER MOUNT, LH
10	503848604	1	STRIPER MOUNT, RH
11	5046903	1	SHAFT, Roller
12	5020785	2	ROLLER
13	5020441	3	COLLAR, 5/8" Split
14	5020594	2	COLLAR, 3/4" Double Split
15	5022846	2	BEARING, Flange
16	503846900	1	GUIDE SHAFT, LH
17	503846901	1	GUIDE SHAFT, RH
18	5023155	4	BUSHING, Flange
19	502501110	8	BOLT, 5/16-18 X 1-1/4"
20	50250106	8	BOLT, 1/4-20 X 3/4"
21	5025155	4	WASHER, 5/16" SAE
22	5025154	8	WASHER, 1/4" SAE
23	5025126	8	NUT, 1/4-20 Hex Serrated Flange
24	5025292	4	WASHER, 5/16" GD 9
25	5025139	4	NUT, 5/16-18 Hex Large Serrated Flange
26	5025057	4	NUT 5/16-18 Hex Nylon Lock
27	5022845	2	SPRING, Compression

Footnotes

The above parts group applies to the following Mfg. Nos.:

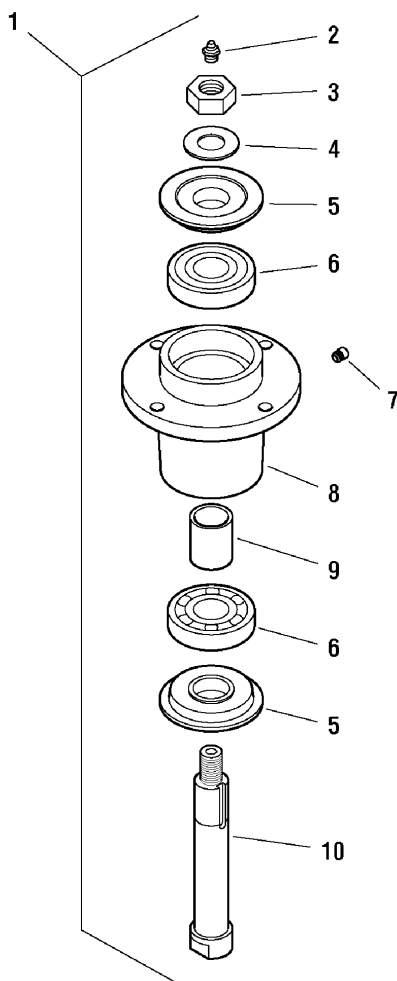
1694770 - 48" Mower

1694771 - 52" Mower

48" & 52" Mower Deck - Spindle Service Parts Group

197spn0

NOTE: Unless noted otherwise,
use the standard hardware torque
specification chart.



The above parts group applies to the following Mfg. Nos.:

1694770 - 48" Mower

48" & 52" Mower Deck - Spindle Service Parts Group

REF NO	PART NO.	QTY.	DESCRIPTION
1	5061095	3	SPINDLE ASSEMBLY, Complete (Includes Ref No. 2 - 10)
2	5023329	3	GREASE FITTING
3	5025405	3	NUT, 3/4-16 Hex
4	5025406	3	WASHER, 3/4" Belleville
5	5049793	6	TRASH SHIELD
6	5023330	6	BEARING
7	5023296	3	RELIEF VALVE
8	5061097	3	SPINDLE HOUSING
9	5061099	3	SPACER, 1.00 x 1.25 x 1.75
10	5061098	3	SPINDLE SHAFT

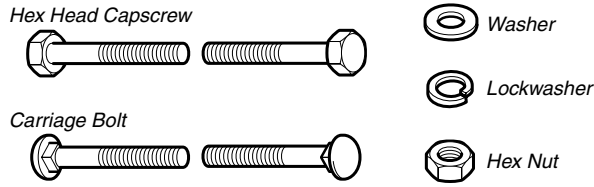
Footnotes

The above parts group applies to the following Mfg. Nos.:

1694770 - 48" Mower

Hardware Identification & Torque Specifications

Common Hardware Types

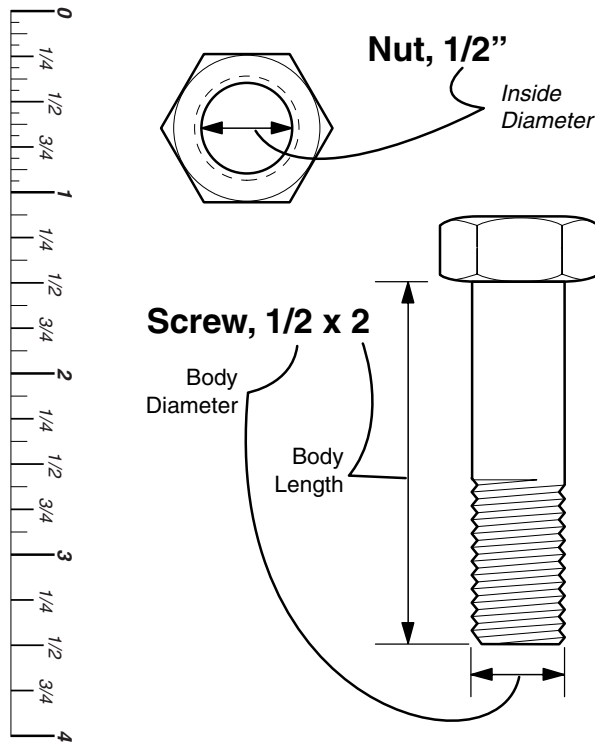


Standard Hardware Sizing

When a washer or nut is identified as 1/2", this is the *Nominal size*, meaning the *inside diameter* is 1/2 inch; if a second number is present it represents the *threads per inch*

When bolt or capscrew is identified as 1/2 - 16 x 2", this means the *Nominal size*, or *body diameter* is 1/2 inch; the second number represents the *threads per inch* (16 in this example, and the final number is the *body length* of the bolt or screw (in this example 2 inches long).

The guides and ruler furnished below are designed to help you select the appropriate hardware and tools.



Torque Specification Chart						
FOR STANDARD MACHINE HARDWARE (Tolerance ± 20%)						
Hardware Grade	No Marks SAE Grade 2		SAE Grade 5		SAE Grade 8	
	in/lbs ft/lbs	Nm.	in/lbs ft/lbs	Nm.	in/lbs ft/lbs	Nm.
8-32	19	2.1	30	3.4	41	4.6
8-36	20	2.3	31	3.5	43	4.9
10-24	27	3.1	43	4.9	60	6.8
10-32	31	3.5	49	5.5	68	7.7
1/4-20	66	7.6	8	10.9	12	16.3
1/4-28	76	8.6	10	13.6	14	19.0
5/16-18	11	15.0	17	23.1	25	34.0
5/16-24	12	16.3	19	25.8	27	34.0
3/8-16	20	27.2	30	40.8	45	61.2
3/8-24	23	31.3	35	47.6	50	68.0
7/16-14	30	40.8	50	68.0	70	95.2
7/16-20	35	47.6	55	74.8	80	108.8
1/2-13	50	68.0	75	102.0	110	149.6
1/2-20	55	74.8	90	122.4	120	163.2
9/16-12	65	88.4	110	149.6	150	204.0
9/16-18	75	102.0	120	163.2	170	231.2
5/8-11	90	122.4	150	204.0	220	299.2
5/8-18	100	136	180	244.8	240	326.4
3/4-10	160	217.6	260	353.6	386	525.0
3/4-16	180	244.8	300	408.0	420	571.2
7/8-9	140	190.4	400	544.0	600	816.0
7/8-14	155	210.8	440	598.4	660	897.6
1-8	220	299.2	580	788.8	900	1,244.0
1-12	240	326.4	640	870.4	1,000	1,360.0

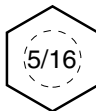
NOTES

- These torque values are to be used for all hardware excluding: locknuts, self-tapping screws, thread forming screws, sheet metal screws and socket head setscrews.
- Recommended seating torque values for locknuts:
 - for prevailing torque locknuts - use 65% of grade 5 torques.
 - for flange whizlock nuts and screws - use 135% of grade 5 torques.
- Unless otherwise noted on assembly drawings, all torque values must meet this specification.

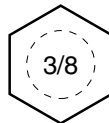
Wrench & Fastener Size Guide



1/4" Bolt or Nut
Wrench—7/16"



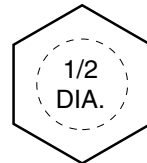
5/16" Bolt or Nut
Wrench—1/2"



3/8" Bolt or Nut
Wrench—9/16"



7/16" Bolt or Nut
Wrench (Bolt)—5/8"
Wrench (Nut)—11/16"



1/2" Bolt or Nut
Wrench—3/4"

Simplicity

MANUFACTURING, INC.
500 N. Spring Street / PO Box 997
Port Washington, WI 53074-0997 USA

www.simplicitymfg.com

© Copyright 2005 Simplicity Manufacturing, Inc.
All Rights Reserved. Printed In USA.

