



Regent

Series Lawn Tractors & Mower Decks

15HP Tractors

Mfg. No.	Description
1694310	Regent, 15HP Hydro (CE)
1694314	Regent, 15HP Hydro

Mower Decks

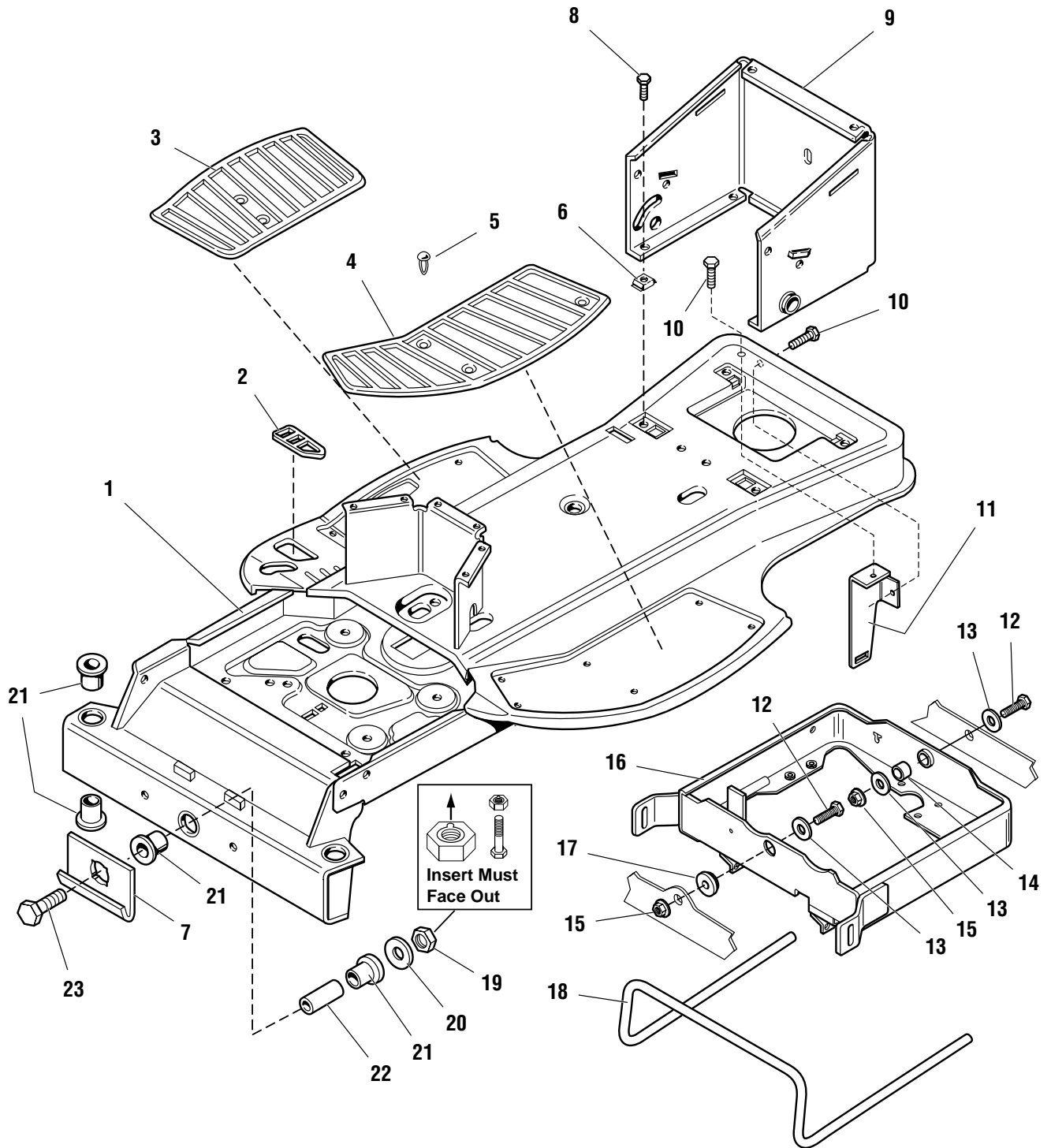
Mfg. No.	Description
1693920	38" Mower Deck
1693930	38" Mower Deck (CE)

TRACTOR / MOWER DECK COMPONENTS	PAGES
Frame Group	4
Steering Group	6
Engine Group - 15HP Briggs & Stratton	8
Engine Group - 15HP Briggs & Stratton	10
Transmission Group	14
Transmission SERVICE PARTS - Tuff Torq K51 Transaxle Group	18
Controls Group	22
Electrical Group	24
Hood, Dash & Fuel Tank Group	28
Hood, Dash & Fuel Tank Group	30
Seat & Seat Deck Group	32
Wheels & Tires Group	34
Decals Group - Brand & Model	36
Decals Group - Safety & Common	38
38" Mower Deck - Belt, Idler Arm & Hitch	40
38" Mower Deck - Height Adjustment & Roller Bar	42
38" Mower Deck - Height Adjustment & Roller Bar Group	46
38" Mower Deck - Housing, Arbors & Blades	48
38" Mower Deck - Housing, Arbors & Blades	52
Torque Specification Chart	Inside Back Cover

Frame Group

986202

NOTE: Unless noted otherwise,
use the standard hardware torque
specification chart.



The above parts group applies to the following Mfg. Nos.:

1694310 - Regent

1694314 - Regent

Frame Group

REF NO	PART NO.	QTY.	DESCRIPTION
1	1724393	1	FRAME ASSEMBLY
2	1715015	1	PLUG, Hole
3	1715016	1	PAD, Footrest RH
4	1714417	1	PAD, Footrest LH
5	1704351	12	FASTENER, Panel
6	1935255	4	NUT, Speed 5/16-18
7	1719869	1	"J" HOOK, Hitch
8	1930591	4	SCREW, Hex Head Flange Lock, 5/16-18 x 3/4
9	1723021	1	WRAPPER ASSEMBLY
10	1930591	2	CAPSCREW, Hex Head Flange Whiz Lock, 5/16-18 x 3/4
11	1719951	1	BRACKET
12	1920328	2	CAPSCREW, Hex Head, 1/2-13 x 1/2
13	1918431	3	WASHER
14	1709235	1	SPACER
15	1930644	2	NUT, Hex Head, 1/2-13
16	1717189	1	CARRIER ASSEMBLY
17	1717286	1	SPACER
18	1717424	1	BAR, Torsion
19	960641	1	NUT, Hex Head Aluminum Insert, 3/8-16
20	1924356	1	WASHER
21	176440	6	BUSHING
22	1719868	1	SPACER
23	1960614	1	CAPSCREW, Hex Head, 3/8-16 x 3, G8

Footnotes

The above parts group applies to the following Mfg. Nos.:

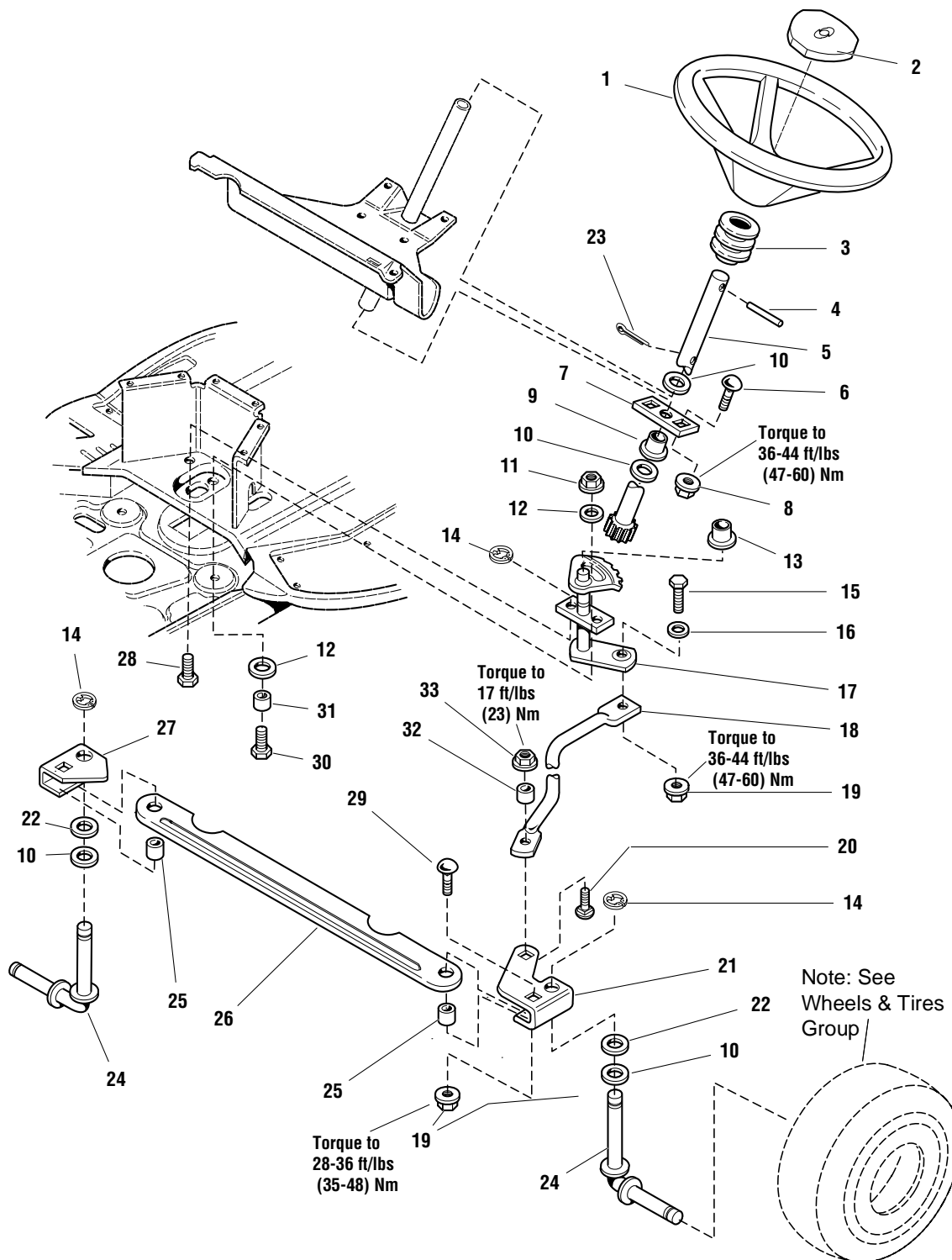
1694310 - Regent

1694314 - Regent

Steering Group

NOTE: Unless noted otherwise,
use the standard hardware torque
specification chart.

985576A



The above parts group applies to the following Mfg. Nos.:

- 1694310 - Regent
- 1694314 - Regent

Steering Group

REF NO	PART NO.	QTY.	DESCRIPTION
1	1722738	1	STEERING WHEEL
2	1722319	1	CAP, Steering Wheel
3	1714400	1	TUBE, Cover
4	1960540	1	PIN, Spring
5	1723051	1	SHAFT & PINION ASSEMBLY
6	1931350	2	CARRIAGE BOLT, 3/8-16 x 1
7	1703508	1	PLATE, Mounting
8	1928352	2	NUT, Hex Whiz Lock, 3/8-16
9	176440	1	BUSHING, 3/4, Nylon
10	1960114	5	WASHER, 3/4
11	1919438	1	NUT, Hex Lock, 5/16-18
12	1933468	2	WASHER, 5/16
13	1666001	2	BUSHING, 3/4, Powered Metal
14	1611710	4	RING, Klipping Extension
15	1920415	1	CAPSCREW, Hex Head, 3/8-16 x 1-1/4
16	1922611	1	WASHER, 3/8
17	1723072	1	SHAFT & GEAR ASSEMBLY
18	1713469	1	LINK, 19.66" Long
19	1930645	3	NUT, Hex Flange Lock, 3/8-16
20	1931335	1	CARRIAGE BOLT, 5/16-18 x 1
21	1721472	1	ARM & SPACER ASSEMBLY, LH Splined
22	1960160	2	WASHER, 3/4
23	1919314	1	PIN, Cotter
24	1721542	2	SPINDLE & CUP ASSEMBLY
25	1713791	2	SPACER
26	1722484	1	ROD, Tie
27	1721473	1	ARM & SPACER ASSEMBLY, RH Splined
28	1664847	2	CAPSCREW, Hex Head Taptite, 5/16-18 x 3/4
29	1960268	2	CARRIAGE BOLT, 3/8-16 x 1-1/4
30	1921221	1	CAPSCREW, Hex Head, 5/16-18 x 1-1/2
31	1673796	1	SPACER
32	1710437	1	SPACER
33	1935048	1	NUT, Hex Flange Lock, 5/16-18

Footnotes

The above parts group applies to the following Mfg. Nos.:

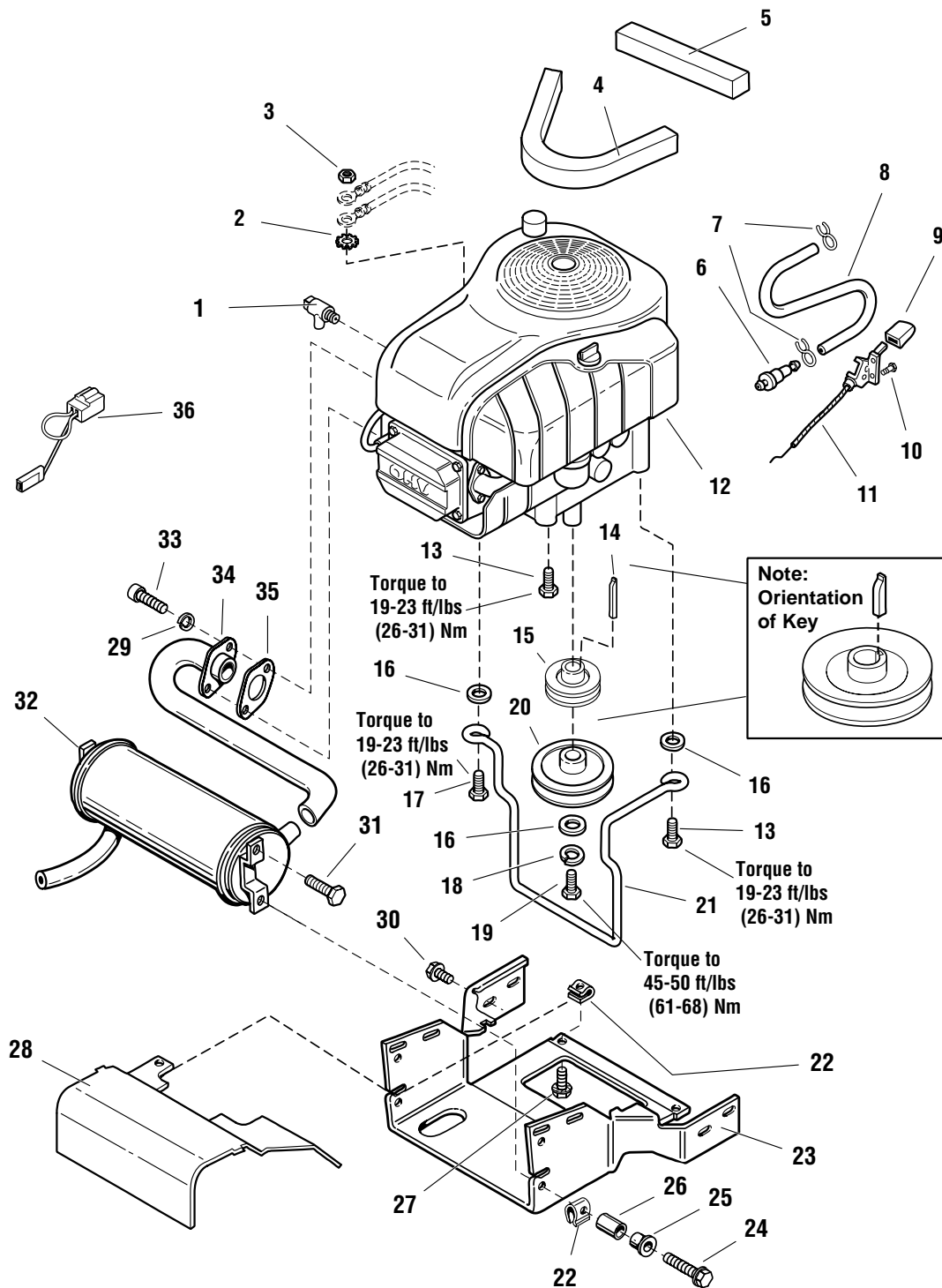
1694310 - Regent

1694314 - Regent

Engine Group - 15HP Briggs & Stratton

986029

NOTE: Unless noted otherwise, use the standard hardware torque specification chart.



The above parts group applies to the following Mfg. Nos.:
1694314 - Regent

Engine Group - 15HP Briggs & Stratton

REF NO	PART NO.	QTY.	DESCRIPTION
1	1708405	1	VALVE-SHUT OFF
2	920427	1	LOCKWASHER, External Tooth 3/8
3	916950	1	NUT, Hex 3/8-16
4	1723212	1	SEAL, Foam
5	1723213	1	SEAL, Foam
6	173206	1	FILTER, Fuel
7	960112	2	CLAMP, Hose Type E
8	1718678	1	HOSE, 12" Long
9	1715897	1	KNOB, Slot
10	1960498	2	CAPSCREW, Hex Washer Head 1/4-14 x 5/8
11	1707388	1	CABLE, Throttle Control, 14" Long
12	*	1	ENGINE-15/16/17HP B&S INTEK SINGLE
13	1930598	3	CAPSCREW, Hex Washer Head, Taptite, 3/8-16 x 1-1/2
14	171241	1	KEY
15	1723497	1	PULLEY
16	1933263	3	WASHER
17	960361	1	CAPSCREW, Hex Washer Head, Taptite, 3/8-16 x 2
18	1918199	1	LOCKWASHER, 7/16
19	1920594	1	CAPSCREW, 7/16-20 x 2
20	1719456	1	PULLEY, 5.40 O.D.
21	1719460	1	GUIDE-BELT
22	1935255	4	NUT, Speed 5/16-18
23	1723735	1	DUCT, Muffler
24	1930595	2	CAPSCREW, Hex Flange Lock, 5/16-18 x 1-1/4
25	1705248	2	PIVOT
26	1705249	2	SPACER
27	1930591	2	CAPSCREW, Hex Flange Lock, 5/16-18 x 3/4
28	1723086	1	DUCT, Muffler, Upper
29	1917356	2	LOCKWASHER, 5/16
30	1924856	4	CAPSCREW, Hex Washer Head, Taptite, 5/16-18 x 1/2
31	1927428	2	CAPSCREW, Hex Washer Head, Taptite, 1/4-20 x 3/8
32	1723408	1	MUFFLER
33	1936228	2	CAPSCREW, 5/16-18 x 3/4, G8
34	1720567	1	PIPE, Exhaust
35	1650670	1	GASKET
36	1723320	1	WIRE ASSEMBLY, Briggs & Stratton

Footnotes

See your local Briggs & Stratton distributor for parts.

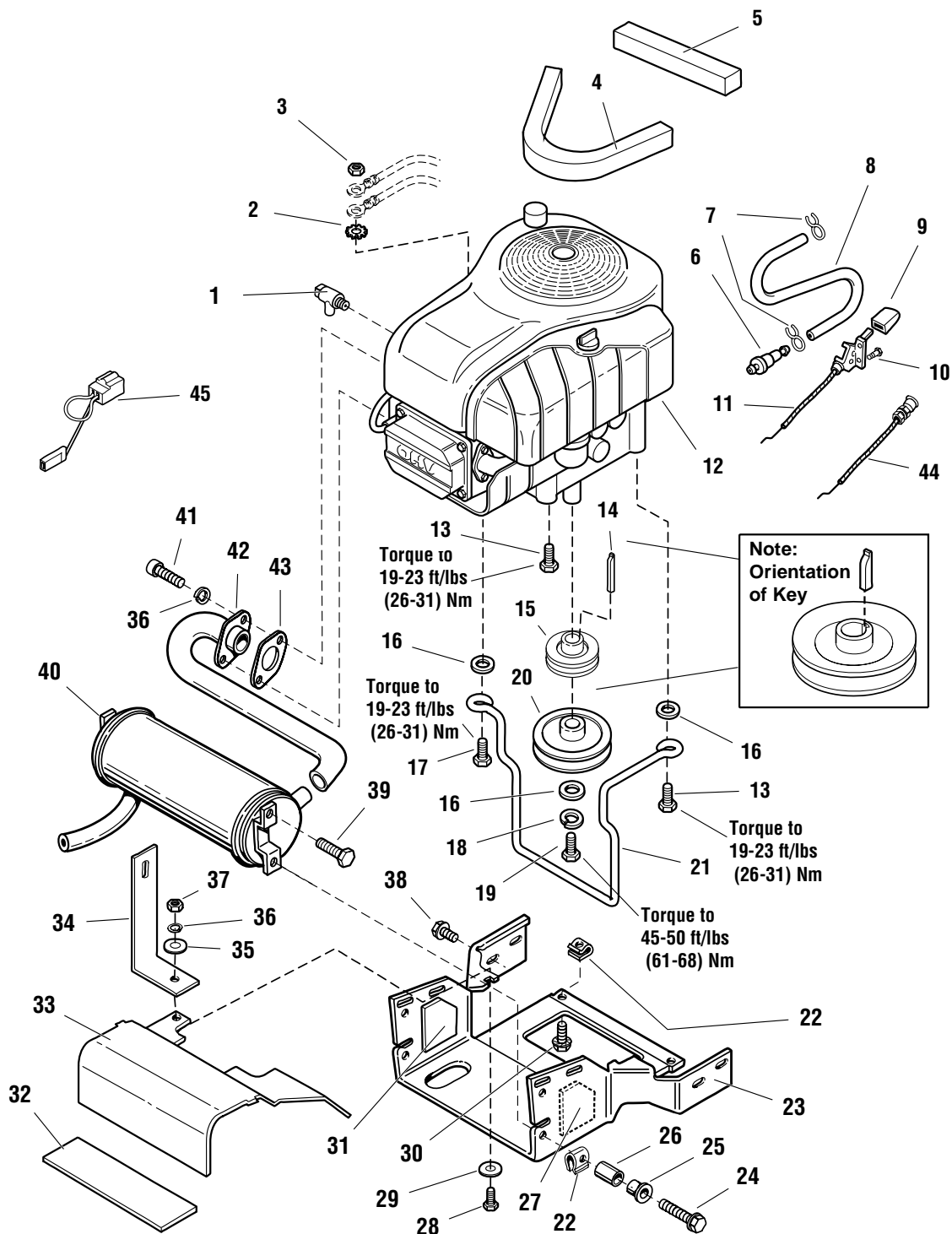
The above parts group applies to the following Mfg. Nos.:

1694314 - Regent

Engine Group - 15HP Briggs & Stratton

986077

NOTE: Unless noted otherwise, use the standard hardware torque specification chart.



The above parts group applies to the following Mfg. Nos.:
1694310 - Regent

Engine Group - 15HP Briggs & Stratton

REF NO	PART NO.	QTY.	DESCRIPTION
1	1708405	1	VALVE-SHUT OFF
2	920427	1	LOCKWASHER, External Tooth 3/8
3	916950	1	NUT, Hex 3/8-16
4	1723212	1	SEAL, Foam
5	1723213	1	SEAL, Foam
6	173206	1	FILTER, Fuel
7	960112	2	CLAMP, Hose Type E
8	1718678	1	HOSE, 12" Long
9	1715897	1	KNOB, Slot
10	1960498	2	CAPSCREW, Hex Washer Head 1/4-14 x 5/8
11	1724014	1	CABLE, Throttle Control, 14~ Long
12	*	1	ENGINE-15/16/17HP B&S INTEK SINGLE
13	1930598	3	CAPSCREW, Hex Washer Head, Taptite, 3/8-16 x 1-1/2
14	171241	1	KEY, Hydro Only
15	1723497	1	PULLEY, Hydro Only
16	1933263	3	WASHER
17	960361	1	CAPSCREW, Hex Washer Head, Taptite, 3/8-16 x 2
18	1918199	1	LOCKWASHER, 7/16
19	1920594	1	CAPSCREW, 7/16-20 x 2
20	1719456	1	PULLEY, 5.40 O.D.
21	1719460	1	GUIDE-BELT
22	1935255	4	NUT, Speed 5/16-18
23	1723735	1	DUCT, Muffler
24	1930595	2	CAPSCREW, Hex Flange Lock, 5/16-18 x 1-1/4
25	1705248	2	PIVOT
26	1705249	2	SPACER
27	1723337	1	INSULATION, LH
28	1921333	1	CAPSCREW, 5/16-18 X 1
29	1919381	1	WASHER
30	1930591	2	CAPSCREW, Hex Flange Lock, 5/16-18 x 3/4
31	1723338	1	INSULATION, RH
32	1723336	1	INSULATION
33	1723086	1	DUCT, Muffler, Upper
34	1715509	1	STRAP, Torque
35	1919326	1	WASHER
36	1917356	3	LOCKWASHER, 5/16
37	1917372	1	NUT, Hex 5/16-18
38	1924856	4	CAPSCREW, Hex Washer Head, Taptite, 5/16-18 x 1/2
39	1927428	2	CAPSCREW, Hex Washer Head, Taptite, 1/4-20 x 3/8
40	1723408	1	MUFFLER

Footnotes

* See your local Briggs & Stratton distributor for parts.

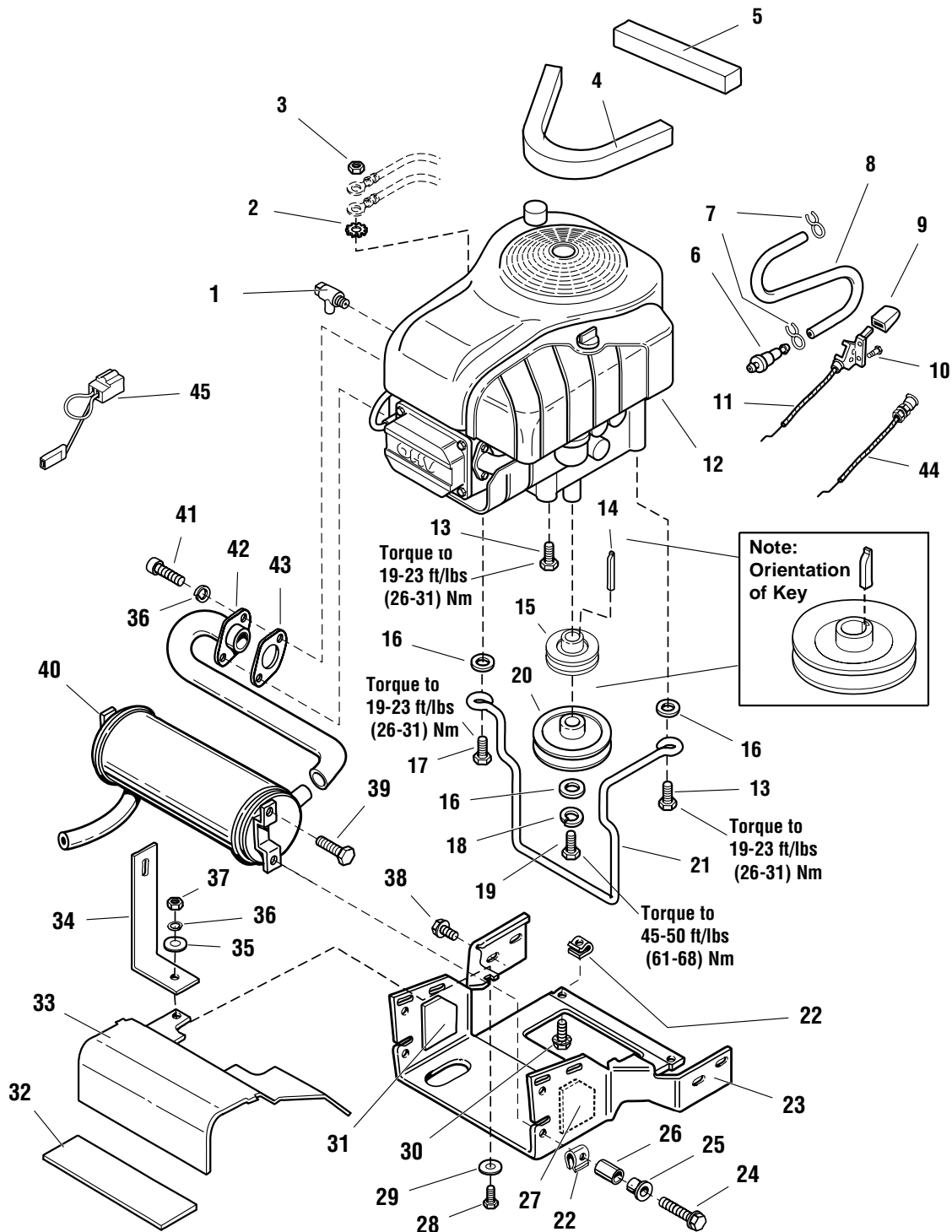
The above parts group applies to the following Mfg. Nos.:

1694310 - Regent

Engine Group - 15HP Briggs & Stratton

986077

NOTE: Unless noted otherwise, use the standard hardware torque specification chart.



The above parts group applies to the following Mfg. Nos.:
1694310 - Regent

Engine Group - 15HP Briggs & Stratton

REF NO	PART NO.	QTY.	DESCRIPTION
41	1936228	2	CAPSCREW, 5/16-18 x 3/4, G8
42	1720567	1	PIPE, Exhaust
43	1650670	1	GASKET
44	1724015	1	CABLE, Choke, 16" Long
45	1723452	1	WIRE ASSEMBLY, Briggs & Stratton Export

Footnotes

* See your local Briggs & Stratton distributor for parts.

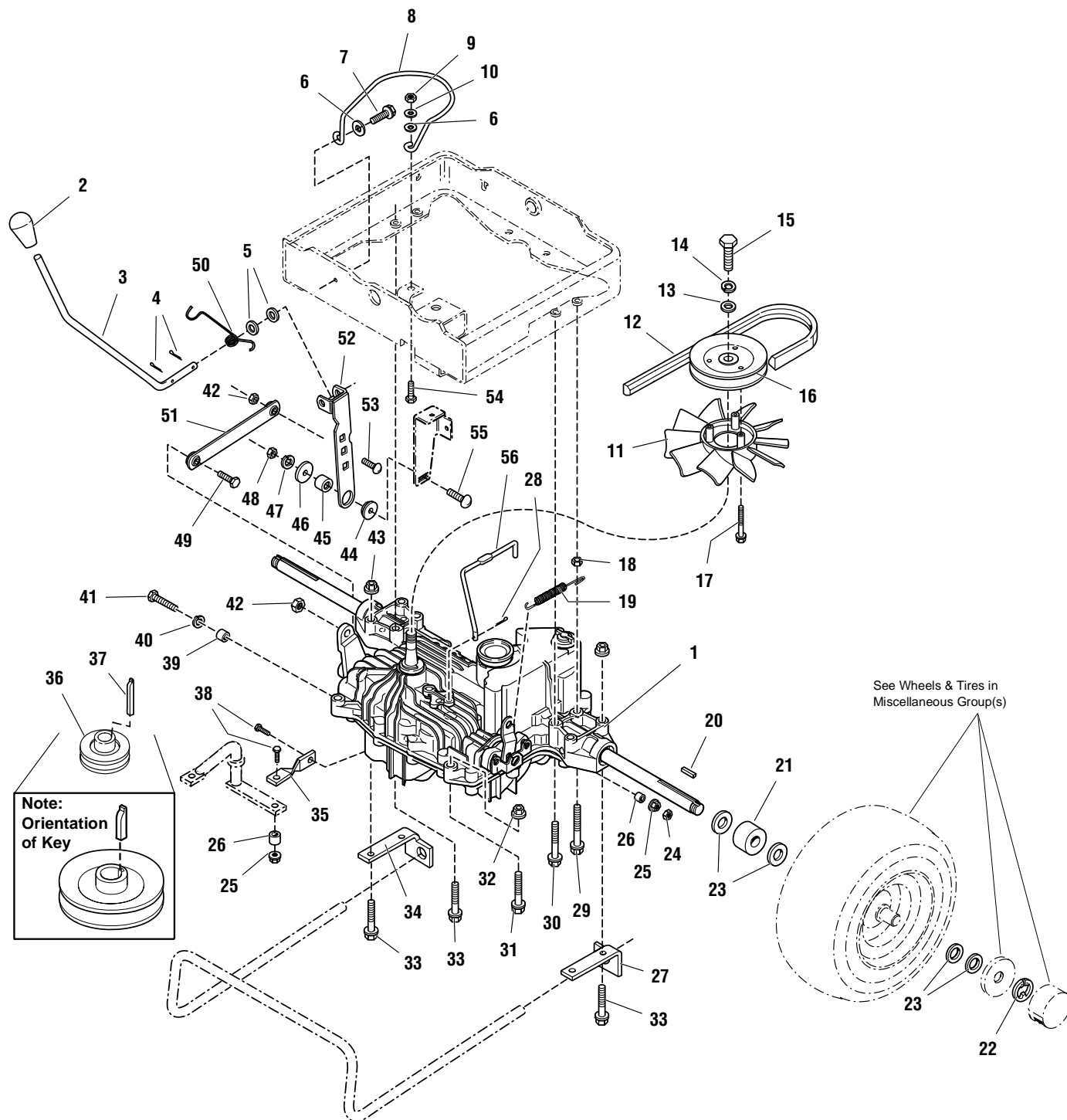
The above parts group applies to the following Mfg. Nos.:

1694310 - Regent

Transmission Group

986200

NOTE: Unless noted otherwise,
use the standard hardware torque
specification chart.



The above parts group applies to the following Mfg. Nos.:

- 1694314 - Regent
- 1694310 - Regent

Transmission Group

REF NO	PART NO.	QTY.	DESCRIPTION
1	1724414	1	TRANSMISSION ASSEMBLY
2	1713843	1	KNOB, Plastic, Gear Shift
3	1719469	1	ROD, Shift
4	1918448	2	PIN, Cotter, 3/32 x 1
5	1924359	2	WASHER, 1/2
6	1919326	2	WASHER, Plain, 5/16
7	1960541	1	CAPSCREW, Taptite Hex Washer Head, 5/16-18 x 3/4
8	1717292	1	GUIDE, Belt
9	1917372	1	NUT, Hex, Full, 5/16-18
10	1917356	1	LOCKWASHER, 5/16
11	1717425	1	FAN
12	1717397	1	BELT, Drive
13	1960353	1	WASHER, 1/4
14	1916964	1	LOCKWASHER, 1/4
15	1960613	1	CAPSCREW, Hex Head, M06 - 1.00 x 30mm
16	1719902	1	PULLEY & HUB ASSEMBLY
17	1930810	3	CAPSCREW, Taptite Hex Washer Head, 1/4-20 x 1-1/2
18	1928698	1	JAM NUT, Top Lock, 5/16-18
19	106681	1	SPRING, Brake Return
20	1717749	2	KEY
21	1717451	2	SPACER
22	927794	2	E-RING
23	960202	8	WASHER, 3/4
24	1923358	1	LOCK NUT, Center, 1/4-20
25	1930642	2	NUT, Hex Flange Lock, 1/4-20
26	1706495	2	SPACER
27	1717427	1	ANCHOR, Torsion Bar, L.H.
28	1918447	1	PIN, Cotter, 3/32 x 3/4
29	960584	1	CAPSCREW, Taptite Hex Washer Head, 5/16-18 x 3-1/2
30	960583	1	CAPSCREW, Taptite Hex Washer Head, 5/16-18 x 3
31	1960585	1	CAPSCREW, Whiz Lock Hex Head, 5/16-18 x 1-1/4
32	1927557	1	NUT, Hex, Flange Whiz Lock, 5/16-18
33	960551	6	CAPSCREW, Taptite Hex Washer Head, 5/16-18 x 2-1/2
34	1717428	1	ANCHOR, Torsion Bar, R.H.
35	1717737	1	BRAKE LINK
36	1723497	1	PULLEY ASSEMBLY, Engine PTO
37	171241	1	KEY, PTO Pulley
38	1921960	2	CAPSCREW, Hex Head, 1/4-20 x 1
39	1720675	1	SPACER
40	1918199	1	LOCKWASHER, Spring, 7/16

Footnotes

The above parts group applies to the following Mfg. Nos.:

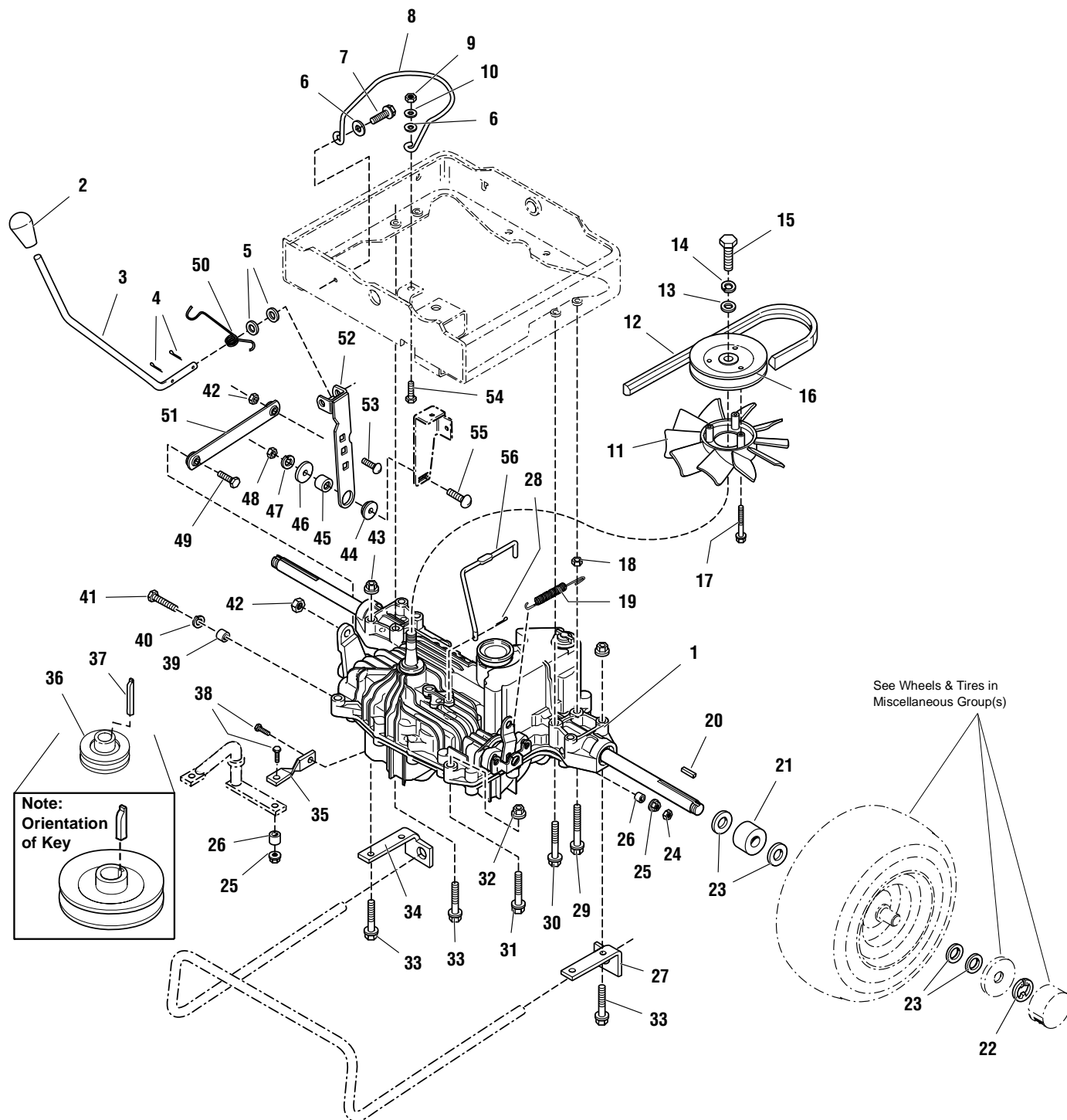
1694314 - Regent

1694310 - Regent

Transmission Group

986200

NOTE: Unless noted otherwise,
use the standard hardware torque
specification chart.



The above parts group applies to the following Mfg. Nos.:

- 1694314 - Regent
- 1694310 - Regent

Transmission Group

REF NO	PART NO.	QTY.	DESCRIPTION
41	1950036	1	CAPSCREW, Hex Head, M10-1 1/2 x 25MM
42	1935048	2	NUT, Hex Flange Lock, 5/16-18
43	1931277	5	NUT, Hex Flange Whiz-Lock, 5/16-18
44	1960534	2	WASHER, 3/8
45	108717	1	SPACER
46	1924356	1	WASHER, 3/8
47	1916965	1	LOCKWASHER, 3/8
48	1916950	1	NUT, ESNA Hex Lock, 3/8-16
49	1921977	1	CAPSCREW, Hex Head, 5/16-18 x 1-1/4
50	1721041	1	SPRING, Torsion
51	1719728	1	LINK, Lower Shift
52	1724233	1	LEVER & CLEVIS ASSEMBLY
53	1931335	1	CARRIAGE BOLT, 5/16-18 x 1
54	1921333	1	CAPSCREW, Hex Head, 5/16-18 x 1
55	1960268	1	CARRIAGE BOLT, 3/8-16 x 1-1/4
56	1717442	1	ROD, Transmission Release

Footnotes

The above parts group applies to the following Mfg. Nos.:

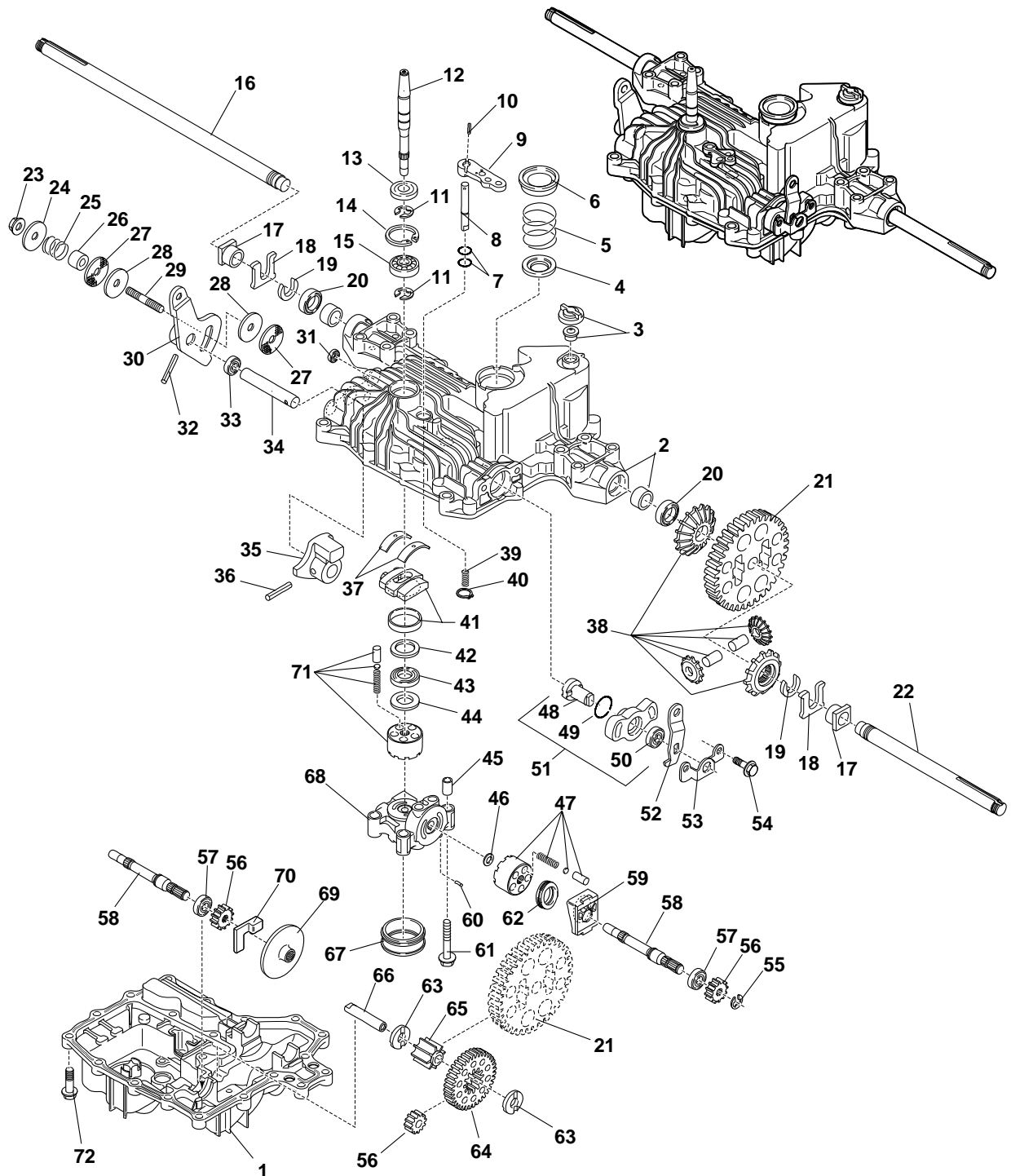
1694314 - Regent

1694310 - Regent

Transmission SERVICE PARTS - Tuff Torq K51 Transaxle Group

1724414

NOTE: Unless noted otherwise,
use the standard hardware torque
specification chart.



The above parts group applies to the following Mfg. Nos.:

1694310 - Regent

1694314 - Regent

Transmission SERVICE PARTS - Tuff Torq K51 Transaxle Group

REF NO	PART NO.	QTY.	DESCRIPTION
1	1720416	1	LOWER HOUSING
2	1720420	1	UPPER HOUSING CMP.
3	1718052	1	VENT VALVE
4	1718053	1	FILTER
5	1718054	1	SPRING, Filter
6	1718055	1	SEALING CAP
7	1708691	2	PACKING
8	1720417	1	SHAFT , Bypass
9	1720418	1	LEVER , Bypass
10	1720421	1	PIN
11	1718076	2	RING
12	1720424	1	PUMP SHAFT
13	1708651	1	SEAL, TC
14	1708650	1	RING, Snap
15	1708673	1	BEARING
16	1718109	1	AXLE SHAFT, RH
17	1718110	2	BUSHING
18	1718112	2	THRUST WASHER
19	1718113	2	RING
20	1718111	2	SEAL
21	1718102	1	FINAL GEAR
22	1720441	1	AXLE SHAFT, LH
23	1720437	1	LOCK NUT
24	1720431	1	WASHER
25	1720430	1	SPRING, Friction
26	1720429	1	COLLAR
27	1720432	2	WASHER
28	1720438	2	FRICION PLATE CMP.
29	1720436	1	STUD
30	1720433	1	CONTROL LEVER
31	1720427	1	CAP, Sealing
32	1718100	1	PIN
33	1718120	1	SEAL,TC
34	1720434	1	CONTROL SHAFT
35	1720433	1	CONTROL ARM ASSEMBLY
36	1707840	1	PIN
37	1718089	2	THRUST METAL BEARING
38	1718103	1	DIFF. GEAR KIT
39	1720419	1	SPRING
40	1718061	1	RING, Snap

Footnotes

The above parts group applies to the following Mfg. Nos.:

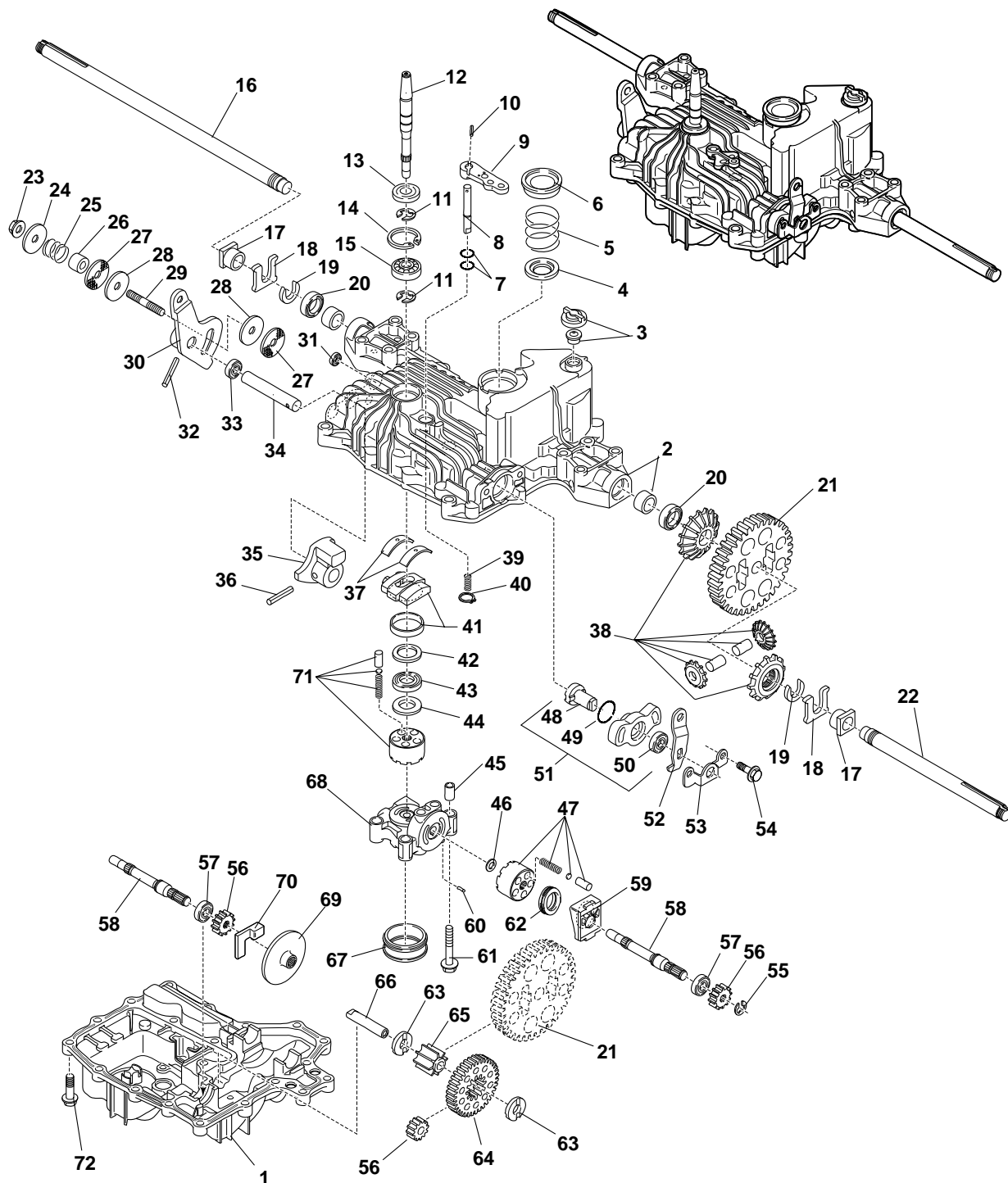
1694310 - Regent

1694314 - Regent

Transmission SERVICE PARTS - Tuff Torq K51 Transaxle Group

1724414

NOTE: Unless noted otherwise,
use the standard hardware torque
specification chart.



The above parts group applies to the following Mfg. Nos.:

1694310 - Regent

1694314 - Regent

Transmission SERVICE PARTS - Tuff Torq K51 Transaxle Group

REF NO	PART NO.	QTY.	DESCRIPTION
41	1720426	1	SWASH PLATE CMP.
42	1718088	1	THRUST PLATE B
43	1718086	1	BEARING
44	1718087	1	THRUST PLATE A
45	1718069	2	KNOCK PIN
46	1718084	1	WASHER
47	1718079	1	CYLINDER BLOCK CMP.
48	1718117	1	SHAFT, Brake
49	1718121	1	PACKING
50	1718120	1	SEAL, TC
51	1720442	1	BRAKE CAM KIT (Includes Ref. Nos. 48, 49, & 50)
52	1718116	1	ARM, Brake
53	1718119	1	PLATE, Brake
54	1718122	2	BOLT
55	1718081	1	E-RING
56	1720425	2	MOTOR GEAR
57	1718083	2	BEARING
58	1718080	2	MOTOR SHAFT
59	1718077	1	HOUSING
60	1718070	1	PIN
61	1720422	3	BOLT
62	1718078	1	BEARING
63	1720439	2	WASHER
64	1720440	1	REDUCTION GEAR
65	1718107	1	FINAL PINION
66	1718104	1	REDUCTION SHAFT
67	1718071	1	FILTER
68	1718068	1	CENTER CASE B CMP.
69	1718114	1	DISK, Brake
70	1718115	1	SHOE, Brake
71	1718073	1	CYLINDER BLOCK CMP.
72	1707789	20	TAPPING SCREW

Footnotes

The above parts group applies to the following Mfg. Nos.:

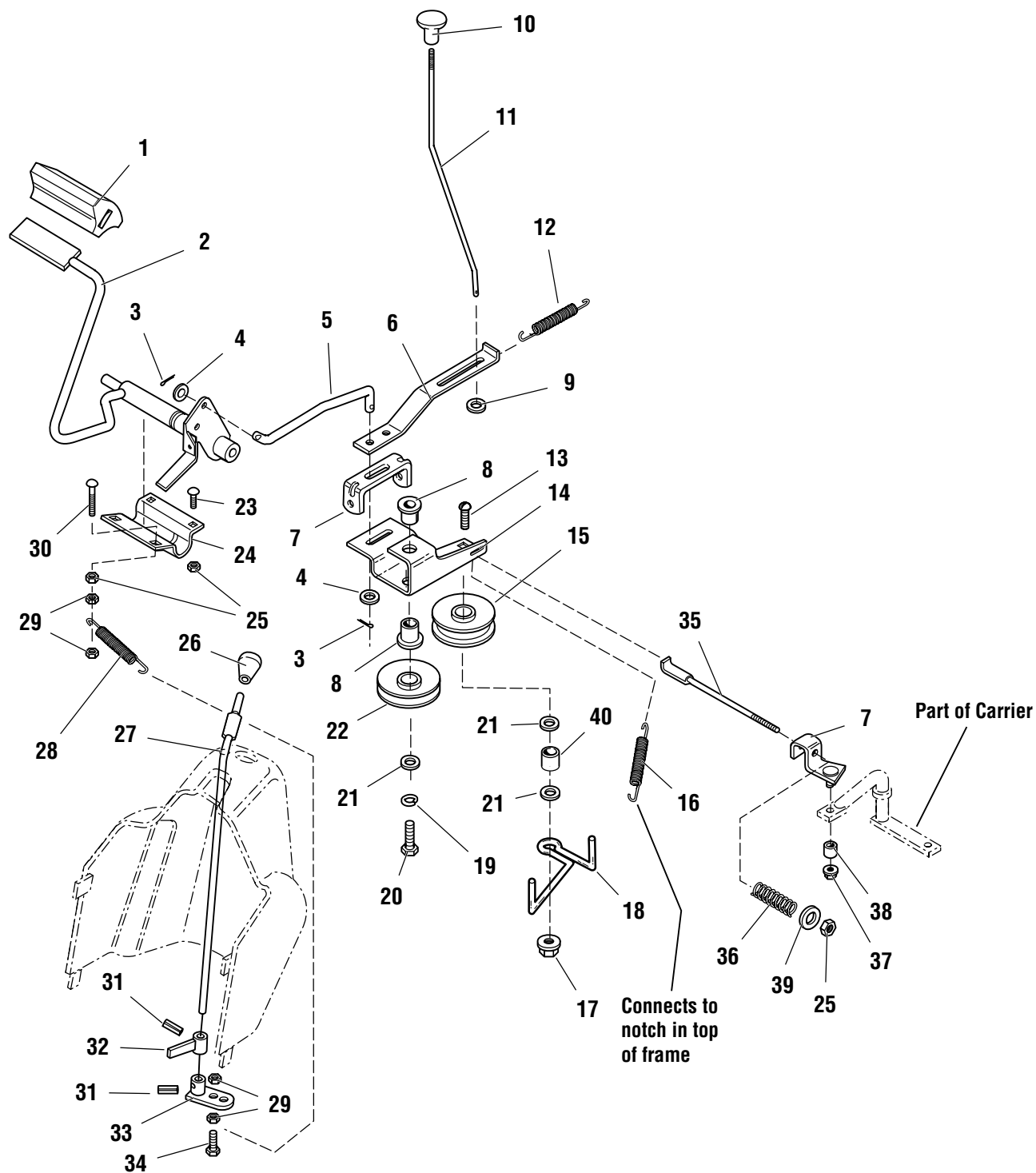
1694310 - Regent

1694314 - Regent

Controls Group

986272

NOTE: Unless noted otherwise,
use the standard hardware torque
specification chart.



The above parts group applies to the following Mfg. Nos.:

- 1694310 - Regent
- 1694314 - Regent

Controls Group

REF NO	PART NO.	QTY.	DESCRIPTION
1	1704849	1	PAD, Brake
2	1717994	1	FOOT PEDAL ASSEMBLY
3	1918451	2	PIN, Cotter, 1/8 x 3/4
4	1919326	2	WASHER, Plain, 5/16
5	1717115	1	ROD, Clutch
6	1717439	1	LEVER, Parking Brake
7	1717728	1	GUIDE, Brake Rod
8	1663114	2	BUSHING, Plastic, 5/8
9	1921319	1	WASHER, Plain, 1/4
10	1713855	1	KNOB, Plastic, Parking Brake
11	1719470	1	ROD, Parking Brake
12	165068	1	SPRING, Parking Brake
13	1931355	1	CARRIAGE BOLT, 3/8-16 x 2-1/4
14	1717438	1	BRACKET, Idler
15	1721133	1	PULLEY, Backside
16	1719590	1	SPRING, Idler
17	1928352	1	NUT, Hex Flange Whiz Lock, 3/8-16
18	1721276	1	BELT STOP
19	1916965	1	LOCKWASHER, 3/8
20	1921971	1	CAPSCREW, Hex Head, 3/8-16 x 1-3/4
21	1924940	3	WASHER, Plain, 3/8
22	1721134	1	PULLEY, Idler, V
23	1931333	3	CARRIAGE BOLT, 5/16-18 x 3/4
24	1713784	1	CLAMP, Tube
25	1919438	5	NUT, Hex Nylon Lock, 5/16-18
26	1713843	1	KNOB, Plastic, Gear Shift
27	1719532	1	SHAFT, PTO Clutch
28	1707002	1	SPRING, Extension
29	1923362	4	LOCKNUT, 5/16-18
30	1960555	1	CARRIAGE BOLT, 5/16-18 x 1 1/2
31	916001	2	ROLL PIN
32	1719422	1	HUB & BAR ASSEMBLY, PTO Clutch
33	1719534	1	ARM & HUB ASSEMBLY, PTO Clutch
34	1921333	1	CAPSCREW, 5/16-18 x 1
35	1717440	1	ROD, Brake
36	1708360	1	SPRING
37	1935048	1	NUT, Hex Flange Lock, 5/16-18
38	1703900	1	SPACER
39	1919381	1	WASHER, 5/16 x 1
40	1667811	1	SPACER

Footnotes

The above parts group applies to the following Mfg. Nos.:

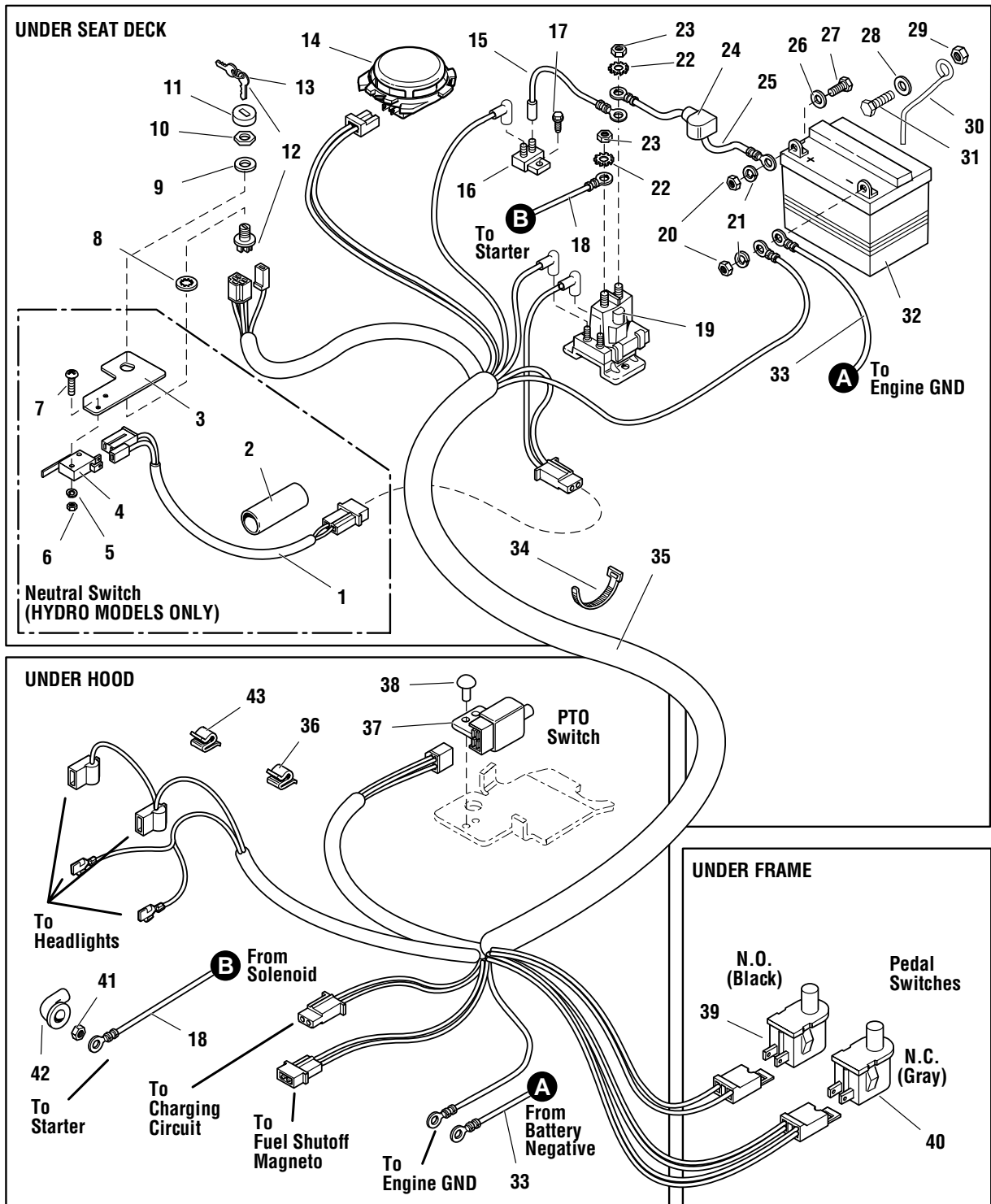
1694310 - Regent

1694314 - Regent

Electrical Group

986271

NOTE: Unless noted otherwise, use the standard hardware torque specification chart.



The above parts group applies to the following Mfg. Nos.:

1694314 - Regent

1694310 - Regent

Electrical Group

REF NO	PART NO.	QTY.	DESCRIPTION
1	1719837	1	WIRE ASSEMBLY
2	1715014	1	TUBE, Shrink
3	1721441	1	PLATE, Neutral Switch
4	1665586	1	SWITCH, Neutral Safety
5	1930947	2	LOCKWASHER, Spring, 1/8
6	1931003	2	NUT, Hex Machine, #5-40
7	1935031	2	CAPSCREW, Round Head, Phillips, #5 - 40 x 3/4
8	1960547	1	LOCKWASHER, Internal Tooth, 5/8
9	101025	1	WASHER, 5/8
10	1717549	1	NUT, Hex, Flange, 5/8-32
11	1717550	1	COVER, Ignition
12	1686734	1	SWITCH, Ignition, 6-Pole (Includes Ref. Nos. 9, 10, 11, 12 &13)
13	1717163	1	IGNITION KEY (Set of 2)
14	1718981	1	SWITCH, Seat
15	1665237	1	WIRE ASSEMBLY
16	1665238	1	CIRCUIT BREAKER
17	1927429	2	CAPSCREW, Taptite Hex Washer Head, 1/4-20 x 5/8
18	1703484	1	CABLE, # 6 x 42-1/2 long (Solenoid to Starter)
19	1686981	1	SOLENOID
20	916622	2	NUT, Hex, 1/4-20
21	916964	2	LOCKWASHER, 1/4
22	920426	2	LOCKWASHER, External Tooth, 5/16
23	920263	2	NUT, Hex, 5/16-24 NF
24	1677296	1	BOOT, Insulator
25	1716549	1	CABLE, # 6 x 10 Long, with 2 Ring Terminals
26	921319	2	WASHER, Plain, 1/4
27	923341	2	CAPSCREW, Hex Head, 1/4-20 x 3/4
28	1919326	1	WASHER, Plain, 5/16
29	1919438	1	NUT, Hex Nylon Lock, 5/16-18
30	1723048	1	ROD, Battery Hold Down
31	1921332	1	CAPSCREW, Hex Head, 5/16-18 x 3/4
32	1685215	1	BATTERY
33	1723109	1	CABLE, # 6 x 52-1/2 long (Battery to Ground)
34	1701011	1	TIE-SELF LOCKING
35	1720510	1	HARNESS, Wiring
36	934683	2	CLIP, Wire
37	1717050	1	SWITCH, Neutral Start
38	1722035	2	POP-RIVET
39	1720411	1	SWITCH, Pedal, N.O., Black
40	1720401	1	SWITCH, Pedal, N.C., Gray

Footnotes

The above parts group applies to the following Mfg. Nos.:

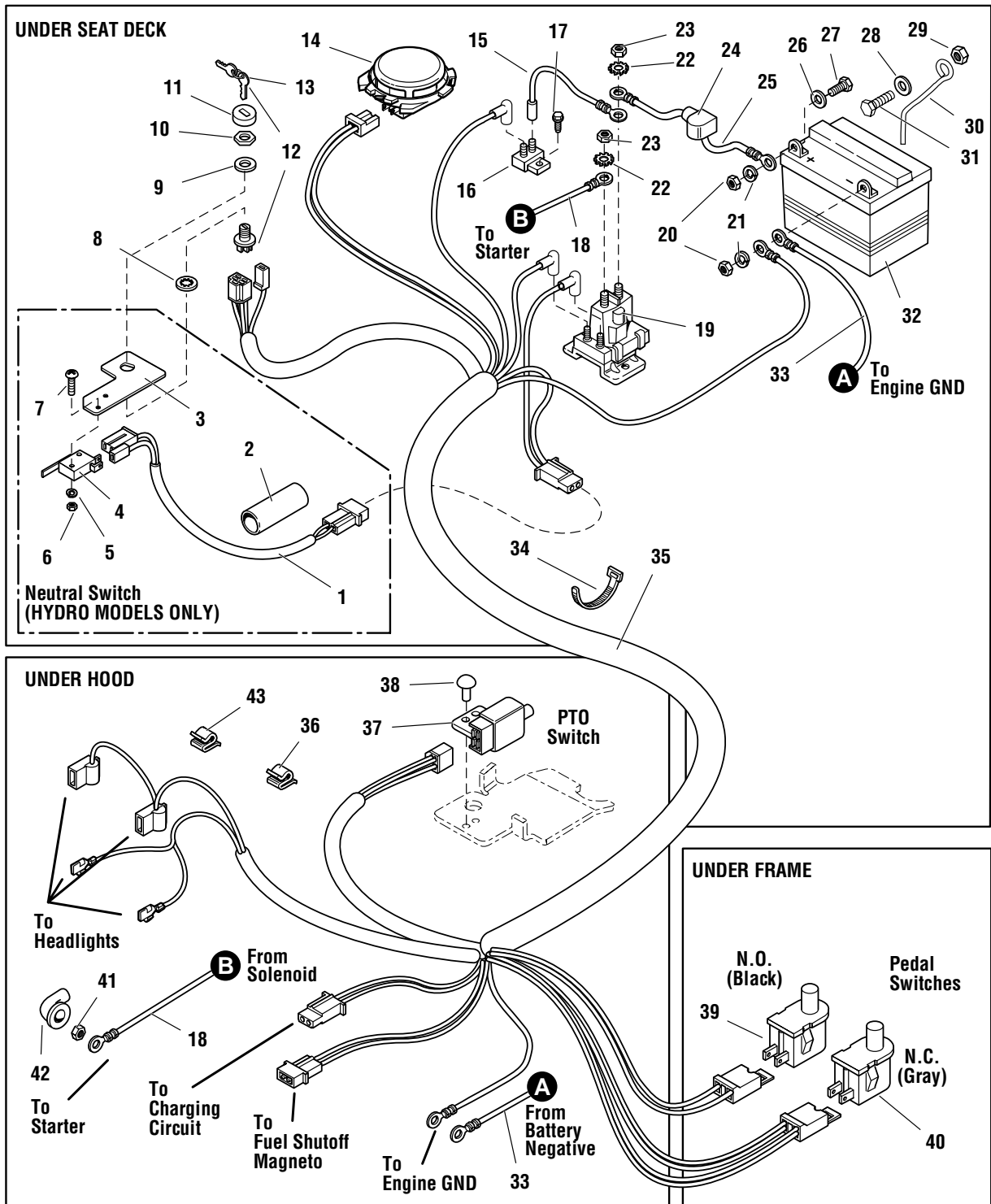
1694314 - Regent

1694310 - Regent

Electrical Group

986271

NOTE: Unless noted otherwise, use the standard hardware torque specification chart.



The above parts group applies to the following Mfg. Nos.:

- 1694314 - Regent
- 1694310 - Regent

Electrical Group

REF NO	PART NO.	QTY.	DESCRIPTION
41	1960294	1	NUT, Hex Flange, Whiz Lock, 1/4-20
42	122023	1	COVER, Terminal
43	172434	1	CLIP, Tinnerman

Footnotes

The above parts group applies to the following Mfg. Nos.:

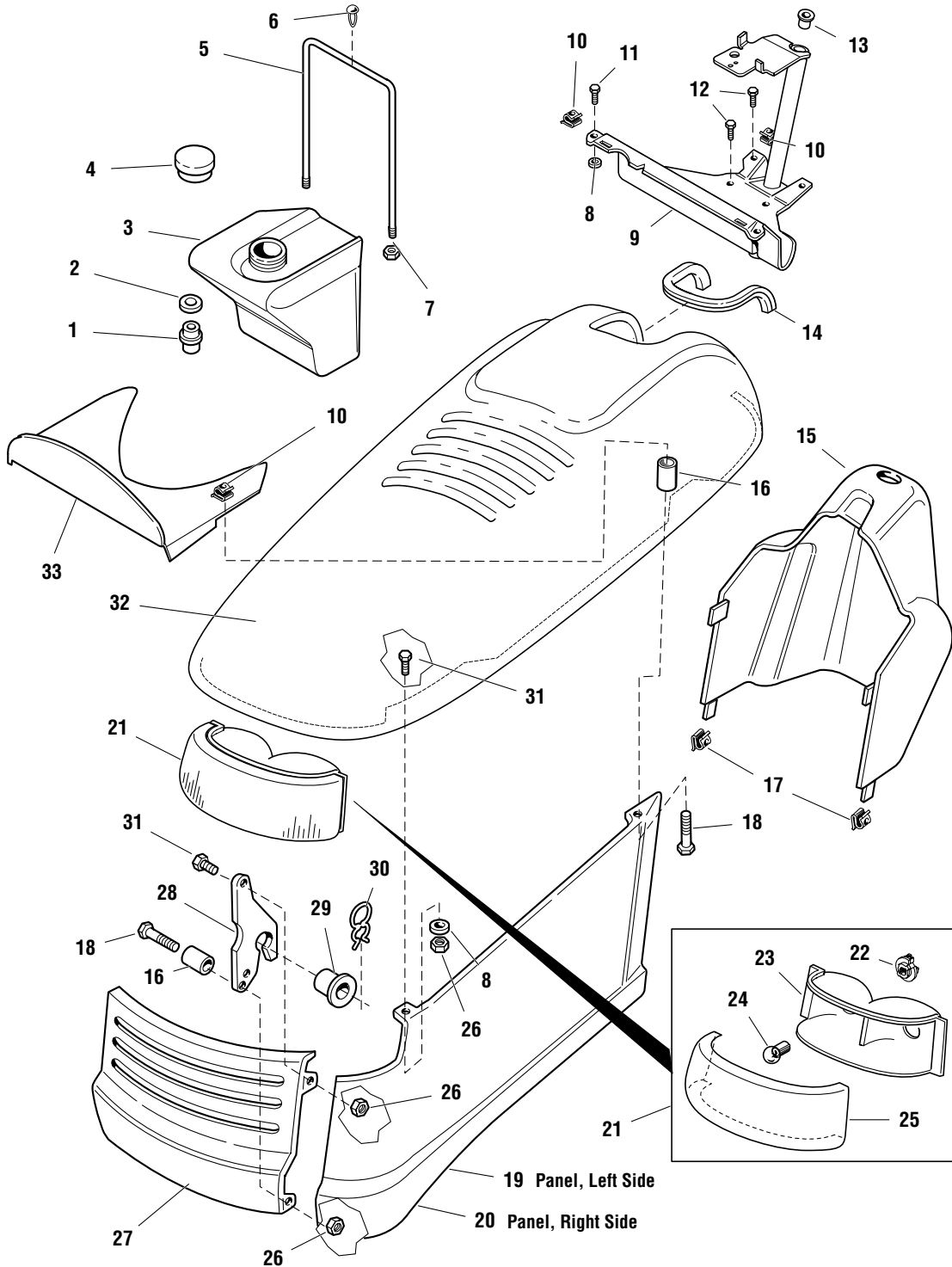
1694314 - Regent

1694310 - Regent

Hood, Dash & Fuel Tank Group

986034

NOTE: Unless noted otherwise,
use the standard hardware torque
specification chart.



The above parts group applies to the following Mfg. Nos.:
1694314 - Regent

Hood, Dash & Fuel Tank Group

REF NO	PART NO.	QTY.	DESCRIPTION
1	1674231	1	ELBOW
2	1654930	1	BUSHING
3	1714472	1	TANK
4	1714020	1	CAP, Fuel Tank
5	1715044	1	STRAP
6	1704351	1	FASTENER, Panel
7	1919438	2	NUT, Hex Lock, 5/16-18
8	1921319	A/R	WASHER, 1/4 (2 used for Hood, A/R for Bulkhead)
9	1721167	1	BULKHEAD & TUBE ASSEMBLY
10	1960368	6	NUT, Speed
11	1722737	4	SCREW, Hex Washer Head Taptite, 1/4-20 x 1/2
12	1925003	4	SCREW, Hex Washer Head Taptite, 1/4-20 x 1/2
13	176440	1	BUSHING
14	1715495	2	MOLDING
15	1686820	1	DASHBOARD
16	1710703	4	SPACER
17	172434	2	CLIP, Wire
18	1922837	4	CAPSCREW, Hex Head, 1/4 - 20 x 1-1/2
19	41714350	1	PANEL, Hood, LH, (Red)
19	1714350	1	PANEL, Hood, LH, (Orange)
20	1714351	1	PANEL, Hood, RH, (Orange)
20	41714351	1	PANEL, Hood, RH, (Red)
21	1719451	1	HEADLIGHT ASSEMBLY (Includes Ref. Nos. 22, 23, 24 & 25)
22	1714787	2	SOCKET, Light
23	1714786	1	BEZEL, Housing
24	1677371	2	BULB, #1156
25	1714785	1	LENS, Headlight
26	1920397	6	NUT, Hex Lock, 1/4-20
27	41714352	1	GRILLE, (Red)
27	1714352	1	GRILLE, (Orange)
28	1714875	2	HINGE
29	1704626	2	SPACER
30	1704628	2	PIN, Quick
31	1960295	4	CAPSCREW, Hex Head Flange Lock, 1/4-20 x 5/8
32	1719483	1	HOOD-REGENT w/LOUVERS (Orange)
32	41719483	1	HOOD-REGENT w/LOUVERS (Red)
33	1723127	1	DUCT, Cooling

Footnotes

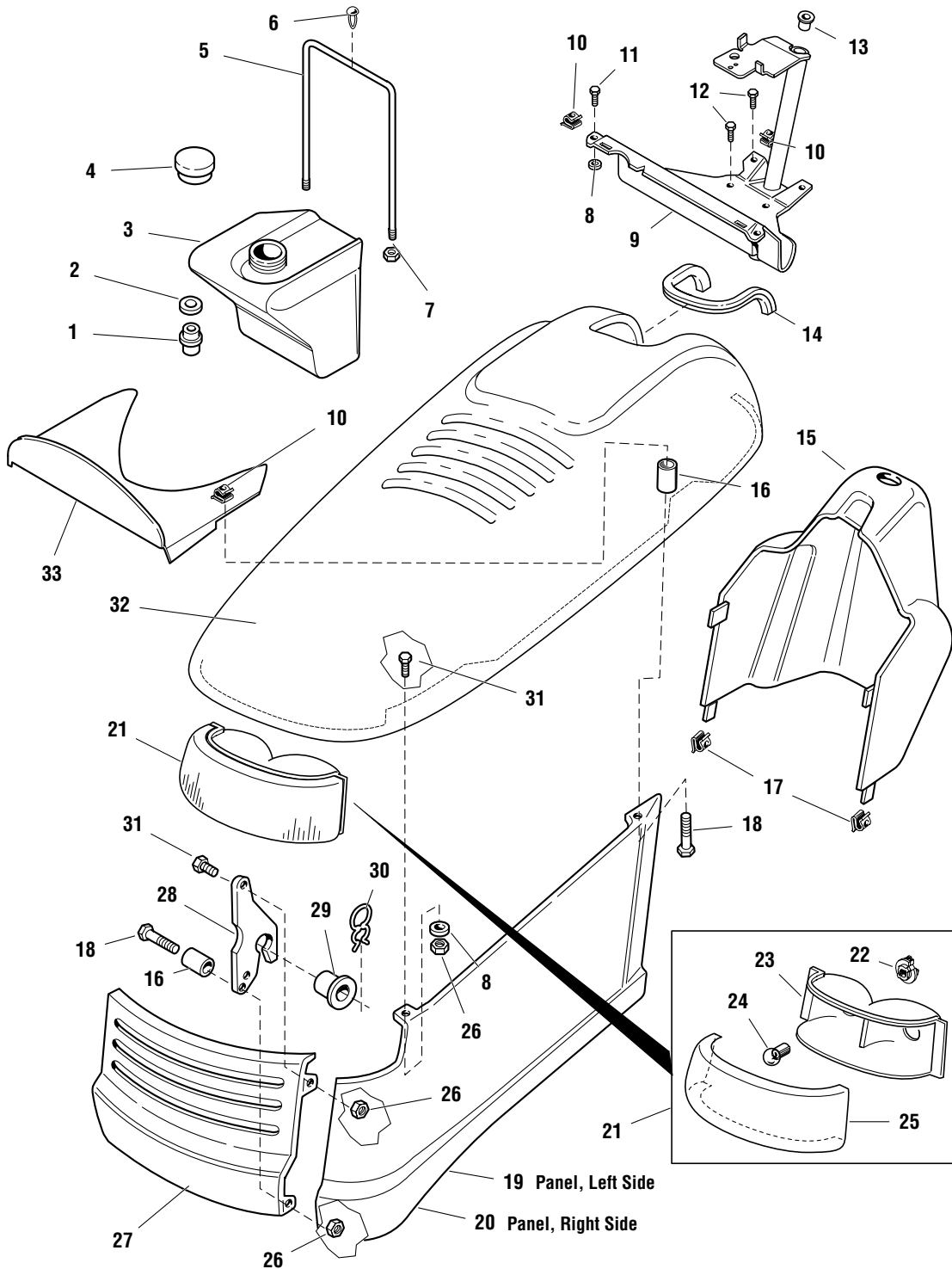
The above parts group applies to the following Mfg. Nos.:

1694314 - Regent

Hood, Dash & Fuel Tank Group

986175

NOTE: Unless noted otherwise,
use the standard hardware torque
specification chart.



The above parts group applies to the following Mfg. Nos.:
1694310 - Regent

Hood, Dash & Fuel Tank Group

REF NO	PART NO.	QTY.	DESCRIPTION
1	1674231	1	ELBOW
2	1654930	1	BUSHING
3	1714472	1	TANK, Fuel
4	1714020	1	CAP, Fuel Tank
5	1715044	1	STRAP
6	1704351	1	FASTENER, Panel
7	1919438	2	NUT, Hex Lock, 5/16-18
8	1921319	A/R	WASHER, 1/4 (2 used for Hood, A/R for Bulkhead)
9	1721167	1	BULKHEAD & TUBE ASSEMBLY
10	1960368	6	NUT, Speed
11	1722737	4	SCREW, Hex Washer Head Taptite, 1/4-20 x 1/2
12	1925003	4	SCREW, Hex Washer Head Taptite, 1/4-20 x 1/2
13	176440	1	BUSHING
14	1715495	2	MOLDING
15	1686936	1	DASHBOARD
16	1710703	4	SPACER
17	172434	2	CLIP, Wire
18	1922837	4	CAPSCREW, Hex Head, 1/4 - 20 x 1-1/2
19	1714350	1	PANEL, Hood, LH
20	1714351	1	PANEL, Hood, RH
21	1719451	1	HEADLIGHT ASSEMBLY (Includes Ref. Nos. 22, 23, 24 & 25)
22	1714787	2	SOCKET, Light
23	1714786	1	BEZEL, Housing
24	1677371	2	BULB, #1156
25	1714785	1	LENS, Headlight
26	1920397	6	NUT, Hex Lock, 1/4-20
27	1714352	1	GRILLE
28	1714875	2	HINGE
29	1704626	2	SPACER
30	1704628	2	PIN, Quick
31	1960295	4	CAPSCREW, Hex Head Flange Lock, 1/4-20 x 5/8
32	1719483	1	HOOD-REGENT w/LOUVERS (ORANGE)
33	1723127	1	DUCT, Cooling

Footnotes

The above parts group applies to the following Mfg. Nos.:

1694310 - Regent

Seat & Seat Deck Group

REF NO	PART NO.	QTY.	DESCRIPTION
1	1713839	1	SEAT
2	1919381	4	WASHER
3	1718981	1	SWITCH, Seat
4	1716654	4	CARRIAGE BOLT, 5/16-18 x 3/4
5	1960486	2	SCREW, Flat Head, 5/16-18 x 1-1/4
6	1708360	2	SPRING, Compression
7	1931277	6	NUT, Hex Head Whiz Lock, 5/16-18
8	1713758	2	BAR
9	1930591	6	CAPSCREW, Hex Head, 5/16-18 x 3/4
10	1721440	1	DECK, Seat, Orange
11	1935255	2	NUT, Speed 5/16-18
12	1670578	1	KNOB
13	1722618	1	SUPPORT & PIN ASSEMBLY
14	1722655	1	CLAMP & SCREW ASSEMBLY

Footnotes

The above parts group applies to the following Mfg. Nos.:

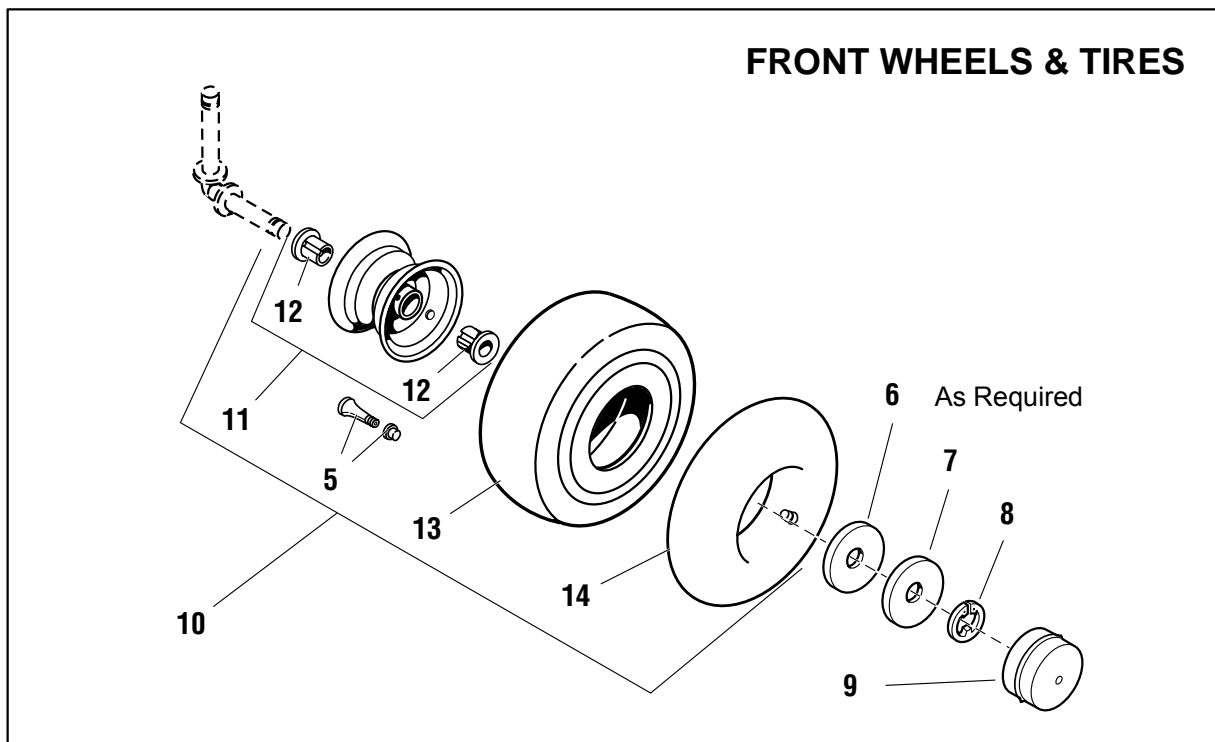
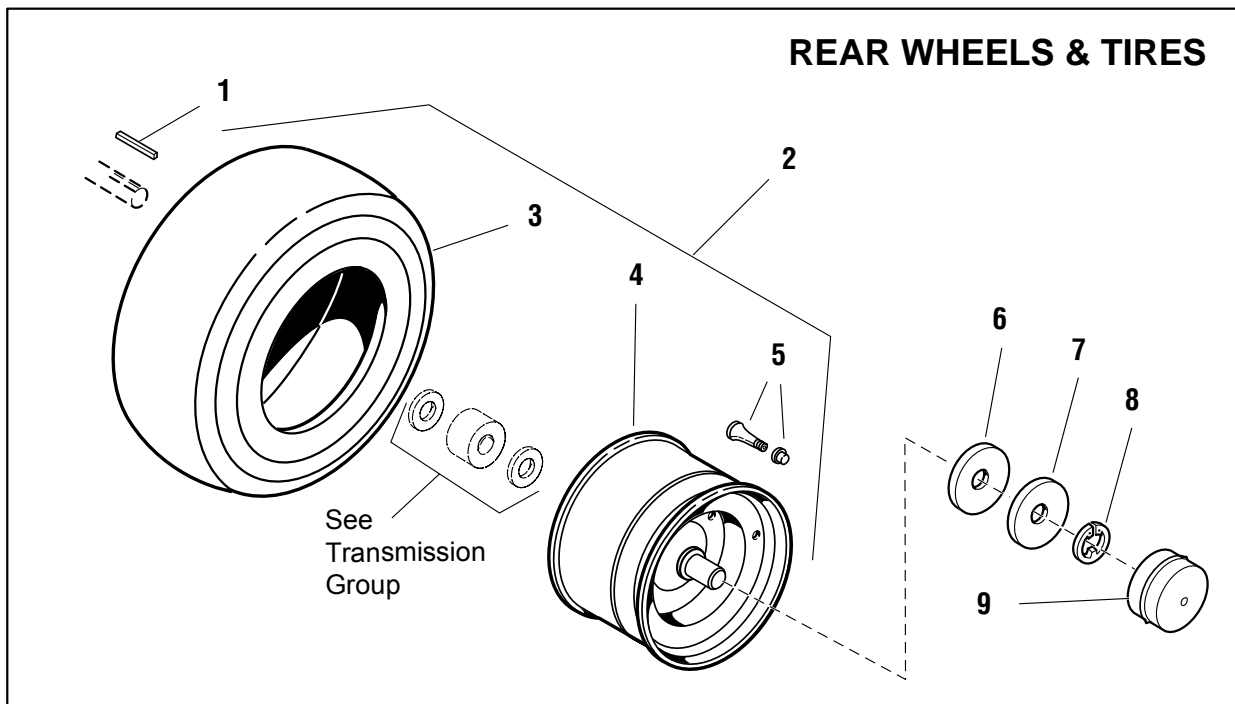
1694314 - Regent

1694310 - Regent

Wheels & Tires Group

NOTE: Unless noted otherwise,
use the standard hardware torque
specification chart.

W986215



The above parts group applies to the following Mfg. Nos.:

1694314 - Regent

1694310 - Regent

Wheels & Tires Group

REF NO	PART NO.	QTY.	DESCRIPTION
1	1717749	2	KEY, 3/16 x 2
2	1719450	2	WHEEL & TIRE ASSEMBLY (Includes Ref. Nos. 3, 4, & 5)
2	1716131	2	WHEEL & TIRE ASSEMBLY (Includes Ref. Nos. 3, 4, & 5) (CE)
3	1720370	2	TIRE, 18 x 8.50, Turf Saver II Carlisle
3	1716133	2	TIRE, 20 x 8.50-8, Super Trac II (Export)
4	1716132	2	WHEEL, 7 x 8
5	172353	4	VALVE STEM & CAP ASSEMBLY
6	960202	4	WASHER
7	1960160	4	WASHER
8	927794	4	"E" - RING
9	1722675	4	CAP, Hub
10	1719449	2	WHEEL & TIRE ASSEMBLY (Includes Ref. Nos. 5, 11, 12, 13, & 14)
10	1716129	2	WHEEL & TIRE ASSEMBLY (Includes Ref. Nos. 5, 11, 12, 13, & 14) (Export)
11	1715032	2	WHEEL & BUSHINGS ASSEMBLY (Includes Ref. No. 12)
12	1713167	4	BEARING
13	1720337	2	TIRE, 15 x 6.00, Turf Saver II Carlisle
13	1716130	2	TIRE, 15 x 6.5 - 6, Super Trac II (CE)
14	1664090	2	TUBE, Tire

Footnotes

The above parts group applies to the following Mfg. Nos.:

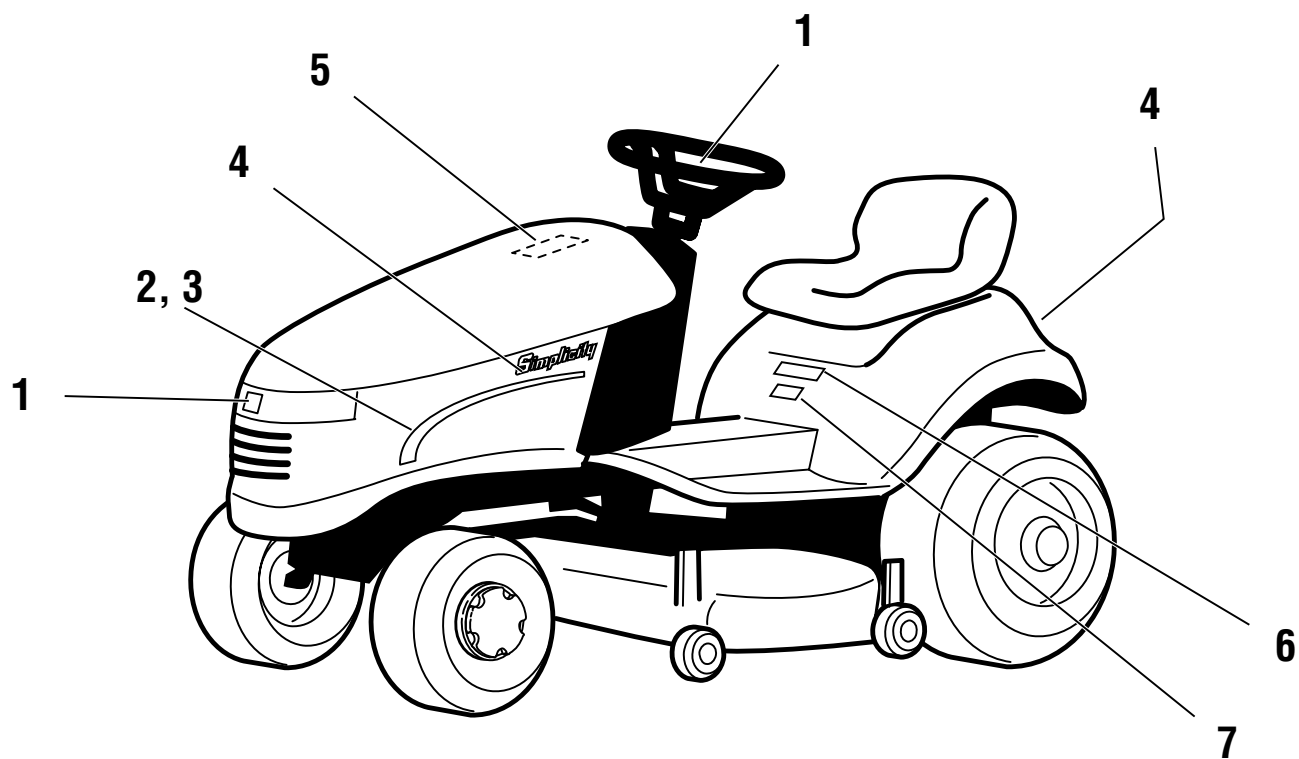
1694314 - Regent

1694310 - Regent

Decals Group - Brand & Model

NOTE: Unless noted otherwise,
use the standard hardware torque
specification chart.

B986215



The above parts group applies to the following Mfg. Nos.:

1694310 - Regent

1694314 - Regent

Decals Group - Brand & Model

REF NO	PART NO.	QTY.	DESCRIPTION
1	1717692	2	DECAL, Simplicity Icon
2	1719516	1	DECAL, Simplicity Stripe RH
3	1719517	1	DECAL, Simplicity Stripe LH
4	1722551	3	DECAL, Simplicity
5	1720454	1	DECAL, Touch Up Paint
6	1722772	1	DECAL, Silver & Blue
7	1722548	1	DECAL, 15HP

Footnotes

The above parts group applies to the following Mfg. Nos.:

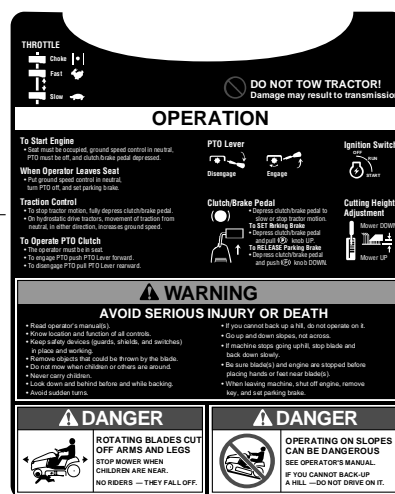
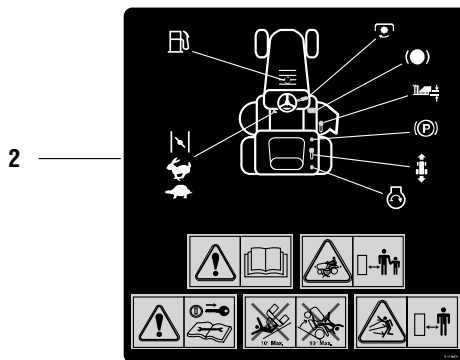
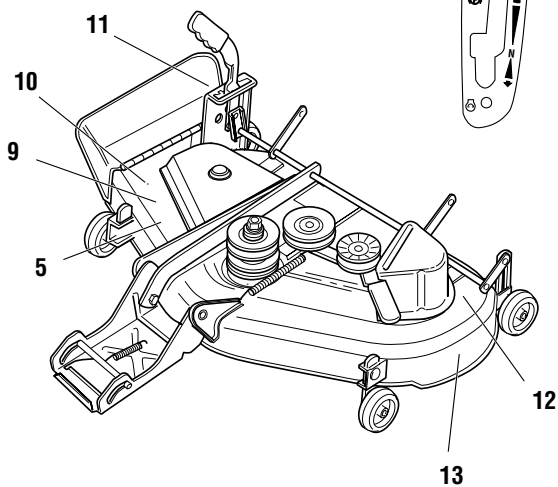
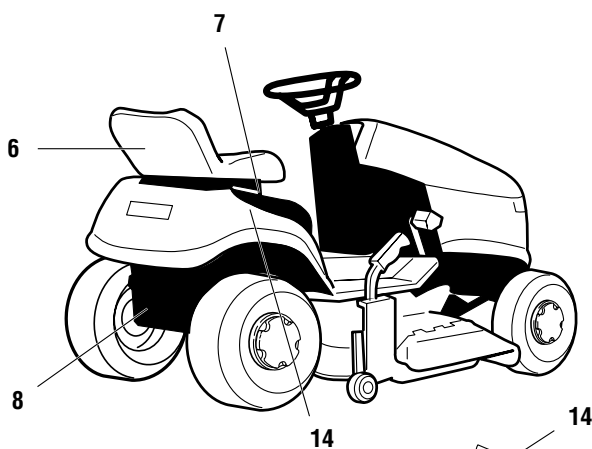
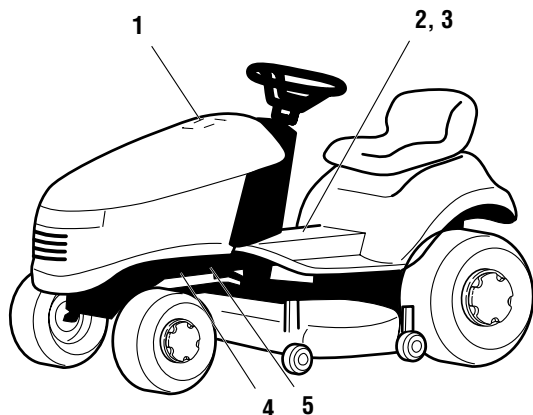
1694310 - Regent

1694314 - Regent

Decals Group - Safety & Common

NOTE: Unless noted otherwise, use the standard hardware torque specification chart.

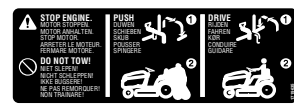
C986215



XXXXX TRACTORS
DRIVE BELTS & MOWER BLADES

Transmission Shaft	XXXXXX
Hydro	XXXXXX
20 Mower	XXXXXX
Mower Deck	XXXXXX
Mower Blade - Left	XXXXXX
Mower Blade - Right	XXXXXX
44 Mower	XXXXXX
Mower Deck	XXXXXX
Mower Blade	XXXXXX
Mower Sub	XXXXXX
20" and 42" Specifications On the Ball	XXXXXX

For safety and reliability, consult your manufacturer's instructions and manuals for safety and torque specifications. Consult your distributor for quality.



The above parts group applies to the following Mfg. Nos.:
 1694310 - Regent
 1694314 - Regent

Decals Group - Safety & Common

REF NO	PART NO.	QTY.	DESCRIPTION
1	1724424	1	DECAL, Belts & Mower Blades
2	1719519	1	DECAL, Operating Instructions
3	1720625	1	DECAL, Operating Instructions (CE)
4	*	1	DECAL, Patent (Not Serviced)
5	*	1	DECAL, OPEI (Not Serviced)
5	*	1	DECAL, Serial Number (Not Serviced)
5	*	1	DECAL, CE & Serial Number Export (Not Serviced)
6	1708927	1	DECAL, USA Logo
7	1719776	1	DECAL, PTO Control Symbols
8	1719635	1	DECAL, Transmission Release Valve
9	1722787	1	DECAL-38"
10	1704277	1	DECAL, DANGER
11	1720919	1	DECAL, Height of Cut
12	1704276	1	DECAL, DANGER
12	1720389	2	DECAL, Danger Symbol, (CE)
13	1722771	1	DECAL, Free Floating Mower
14	1721277	1	DECAL, Shift Hydro
15	1723069	1	DECAL, Engine 15HP B&S INTEK (Not Shown)

Footnotes

* Not a service part.

The above parts group applies to the following Mfg. Nos.:

1694310 - Regent

1694314 - Regent

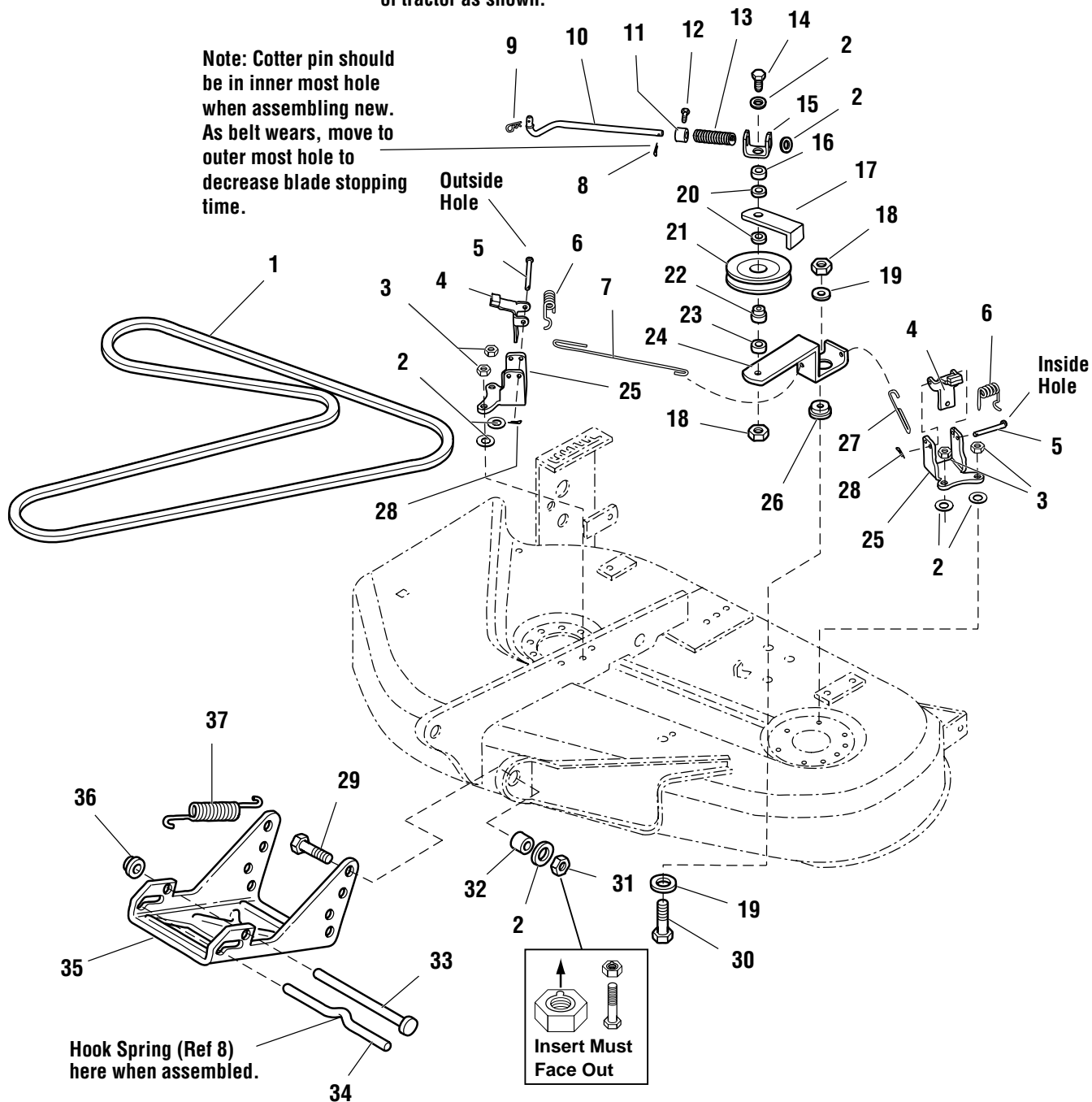
38" Mower Deck - Belt, Idler Arm & Hitch

985487

NOTE: Unless noted otherwise, use the standard hardware torque specification chart.

Note: Item Ref. No. 9 must be assembled from inside of tractor as shown.

Note: Cotter pin should be in inner most hole when assembling new. As belt wears, move to outer most hole to decrease blade stopping time.



The above parts group applies to the following Mfg. Nos.:

- 1693920 - 38" Mower
- 1693930 - 38" Mower

38" Mower Deck - Belt, Idler Arm & Hitch

REF NO	PART NO.	QTY.	DESCRIPTION
1	1716854	1	V-BELT
2	1924940	7	WASHER, 3/8
3	1927557	4	NUT, Hex Head Flange Lock, 5/16
4	1719419	2	ACTUATOR & PAD ASSEMBLY
5	1960607	2	PIN
6	1719526	2	SPRING, Torsion
7	1719434	1	ROD
8	1918451	1	PIN, Cotter
9	1960074	1	CLIP
10	1720450	1	ROD
11	1719777	1	COLLAR, Set
12	1928721	1	SCREW, Set, Cup Point, 5/16-18 x 1/2, G8
13	1720462	1	SPRING, Compression
14	1921972	1	CAPSCREW, Hex Head, 3/8-16 x 2-1/2
15	1719539	1	GUIDE
16	108717	1	SPACER
17	1677135	1	GUARD, Spring
18	1960339	2	NUT, Hex Head Flange Lock, 3/8-16
19	1924356	2	WASHER, 3/8
20	1922755	2	WASHER, 3/8
21	1685150	1	PULLEY ASSEMBLY, (Includes Ref. No. 22)
22	1716553	1	HUB
23	1667812	1	SPACER
24	1720594	1	ARM
25	1924356	2	WASHER
26	1714255	1	SPACER
27	1719433	1	ROD
28	1918447	2	PIN, Cotter
29	1921968	2	CAPSCREW, Hex Head, 3/8-16 x 1-3/8
30	1922605	1	CAPSCREW, Hex Head, 3/8-16 x 1-1/4, G8
31	960641	2	NUT, Hex Lock, Aluminum Insert, 3/8-16
32	157081	2	SPACER
33	1713578	1	ROD
34	1715759	1	ROD
35	1713561	1	HITCH, Mower
36	1960519	1	NUT, Push, 1/2
37	156302	1	SPRING, Extension

Footnotes

The above parts group applies to the following Mfg. Nos.:

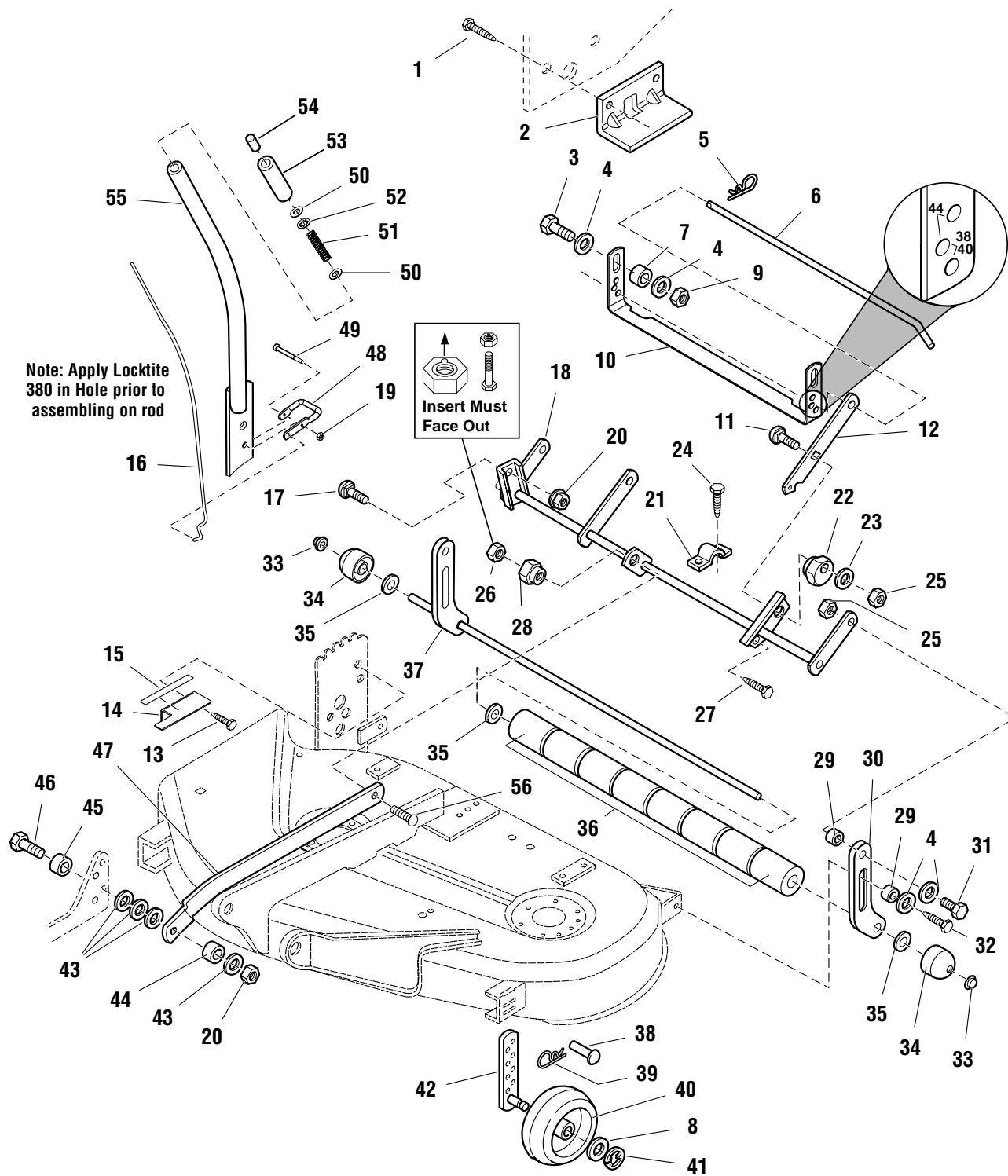
1693920 - 38" Mower

1693930 - 38" Mower

38" Mower Deck - Height Adjustment & Roller Bar

NOTE: Unless noted otherwise, use the standard hardware torque specification chart.

86068AA



The above parts group applies to the following Mfg. Nos.:
1693930 - 38" Mower

38" Mower Deck - Height Adjustment & Roller Bar

REF NO	PART NO.	QTY.	DESCRIPTION
1	1664847	2	CAPSCREW, Taptite Hex Washer Head, 5/16-18 x 3/4
2	1714910	1	BRACKET, Upstop
3	1921977	2	CAPSCREW, Hex Head, 5/16-18 x 1-1/4
4	1960044	8	WASHER, 5/16
5	1960074	1	CLIP, Spring
6	1714529	1	ROD, Transport
7	1710703	2	SPACER
8	1960027	2	WASHER, 1/2
9	1923362	2	NUT, Hex Lock, 5/16-18
10	1720372	1	U-BRACKET
11	1960655	1	CARRIAGE BOLT, 5/16-18 x 1-1/4
12	1717297	1	ARM, Rear
13	1924856	2	CAPSCREW, Hex Head, Taptite, 5/16-18 x 1/2
14	1721635	1	BRACKET, Decal
15	1720919	1	DECAL, Height
16	1721634	1	ROD LATCH
17	1931350	1	CARRIAGE BOLT, 3/8-16 x 1
18	1714327	1	ROCKER ARM ASSEMBLY
19	1920397	1	NUT, Hex Lock, 1/4-20
20	1919439	2	NUT, Hex, Lock ESNA, 3/8-16
21	1665374	1	STRAP
22	1714879	1	ECCENTRIC
23	1924874	1	WASHER, Flat, 5/16
24	1960541	2	CAPSCREW, Taptite Hex Washer Head, 5/16-18 x 3/4
25	960643	3	NUT, Hex, Flange Collar Lock, 5/16-18
26	960641	2	NUT, Hex Lock, Aluminum Insert, 3/8-16
27	1960594	1	CAPSCREW, Hex Head Taptite, 5/16 x 7/8
28	1704082	1	NUT, Adjuster
29	1960236	4	SPACER
30	1719846	1	BAR, Roller, Support
31	1921333	2	CAPSCREW, Hex Head, 5/16-18 x 1
32	1960373	2	CAPSCREW, Taptite Hex Washer Head, 5/16-18 x 1
33	1960520	2	PUSHNUT, 5/8"
34	1717675	2	ROLLER, End
35	1924366	3	WASHER, 5/8
36	1668513	8	ROLLER
37	1719905	1	SHAFT ASSEMBLY
38	1960288	2	PIN
39	1960221	2	CLIP, Hair
40	1714760	2	GAUGE WHEEL

Footnotes

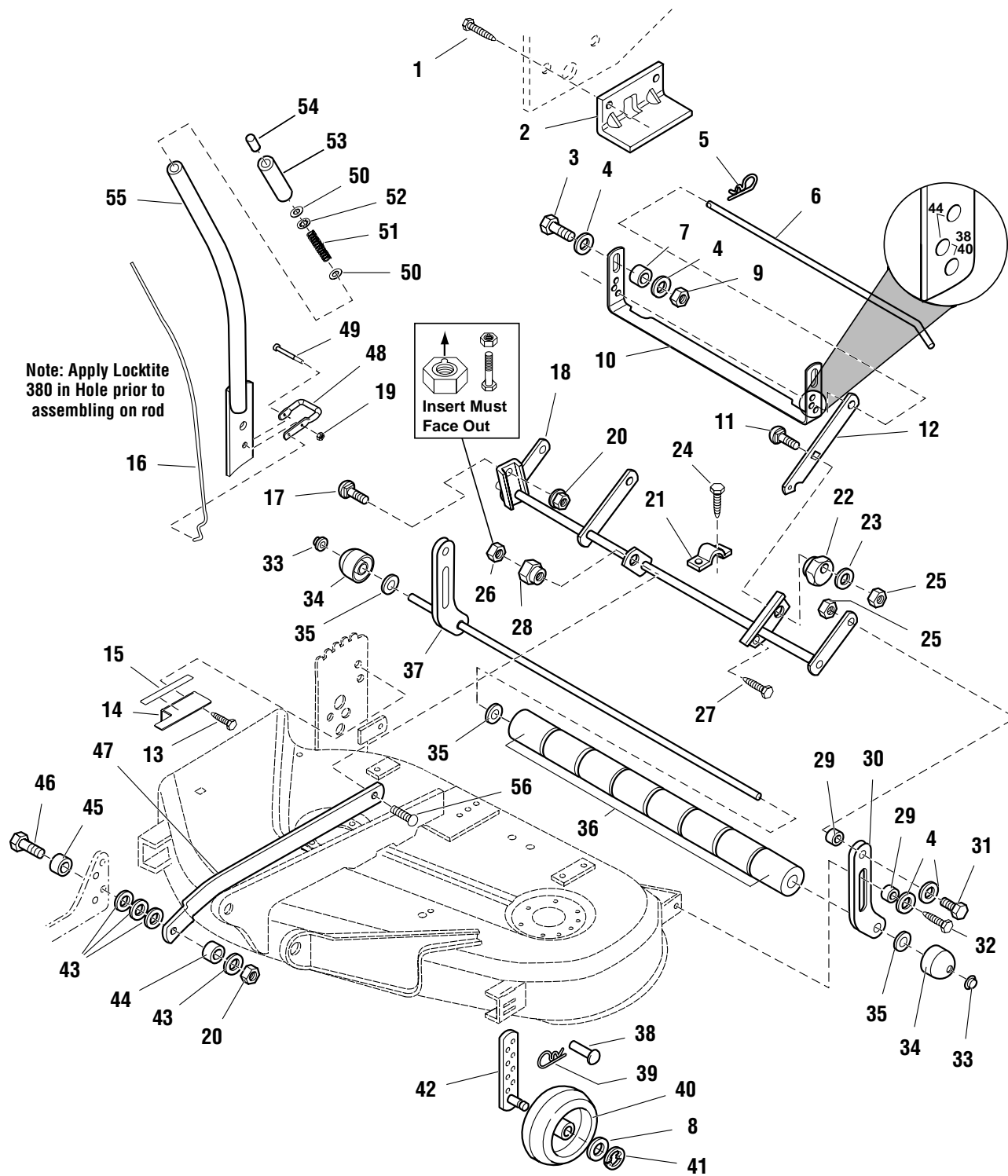
The above parts group applies to the following Mfg. Nos.:

1693930 - 38" Mower

38" Mower Deck - Height Adjustment & Roller Bar

NOTE: Unless noted otherwise, use the standard hardware torque specification chart.

86068AA



The above parts group applies to the following Mfg. Nos.:
1693930 - 38" Mower

38" Mower Deck - Height Adjustment & Roller Bar

REF NO	PART NO.	QTY.	DESCRIPTION
41	158399	2	E-RING, 1/2
42	1714878	2	ARM ASSEMBLY, Adjustable
43	1924940	4	WASHER, Flat, 3/8
44	1611705	1	SPACER
45	1715024	1	SPACER
46	1923701	1	CAPSCREW, Hex Head, 3/8-16 x 2
47	1721081	1	ARM, Pitch
48	1720599	1	LATCH
49	1921159	1	CAPSCREW, Hex Head, 1/4-20 x 2-1/4
50	1918265	2	WASHER
51	1723321	1	SPRING, Compression
52	1960518	1	PUSHNUT, 1/4
53	1713995	1	GRIP
54	1723124	1	BUTTON
55	1721620	1	HANDLE ASSEMBLY
56	1931352	1	CARRIAGE BOLT, 3/8-16 x 1-1/2

Footnotes

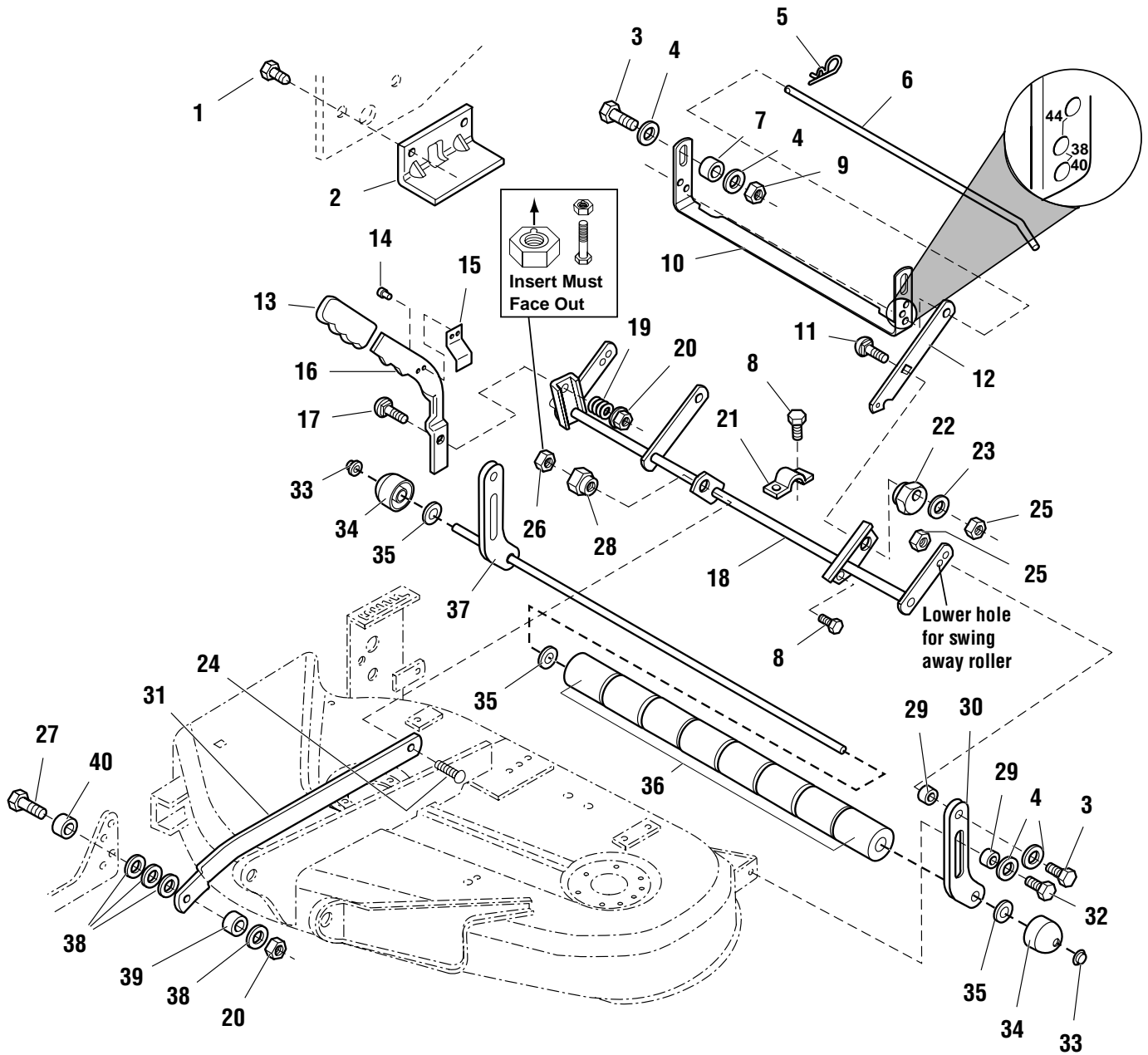
The above parts group applies to the following Mfg. Nos.:

1693930 - 38" Mower

38" Mower Deck - Height Adjustment & Roller Bar Group

985582

NOTE: Unless noted otherwise,
use the standard hardware torque
specification chart.



The above parts group applies to the following Mfg. Nos.:
1693920 - 38" Mower

38" Mower Deck - Height Adjustment & Roller Bar Group

REF NO	PART NO.	QTY.	DESCRIPTION
1	1960541	7	CAPSCREW, Taptite Hex Washer Head, 5/16-18 x 3/4
2	1714910	1	BRACKET, Upstop
3	1921977	2	CAPSCREW, Hex Head, 5/16-18 x 1-1/4
4	1960044	8	WASHER, 5/16
5	1960074	1	CLIP, Spring
6	1714529	1	ROD, Transport
7	1710703	2	SPACER
8	1664847	3	CAPSCREW, Hex Head Taptite, 5/16-18 x 3/4
9	1923362	4	NUT, Hex Lock, 5/16-18
10	1720372	1	U-BRACKET
11	1960655	1	CARRIAGE BOLT, 5/16-18 x 1-1/4
12	1717297	1	ARM, Rear
13	1714876	1	GRIP
14	910542	2	RIVET
15	1723504	1	SPRING, Handle
16	1717658	1	ADJUSTMENT ARM
17	1931353	1	CARRIAGE BOLT, 3/8-16 x 1-3/4
18	1724493	1	ROCKER ARM ASSEMBLY, (Use lower hole with swing away rollers.)
19	1714263	1	SPRING
20	1930645	2	NUT, Hex Flange Lock, 3/8-16
21	1665374	1	STRAP
22	1714879	1	ECCENTRIC
23	1924874	1	WASHER, Flat, 5/16
24	1931352	1	CARRIAGE BOLT, 3/8-16 x 1-1/2
25	960643	3	NUT, Hex, Flangelock, 5/16-18
26	960641	1	NUT, Hex Lock Aluminum Insert, 3/8-16
27	1923701	1	CAPSCREW, Hex Head, 3/8-16 x 2
28	1704082	1	NUT, Adjuster
29	1960236	4	SPACER
30	1719846	1	BAR, Roller, Support
31	1721081	1	ARM, Pitch
32	1960373	7	CAPSCREW, Taptite Hex Washer Head, 5/16-18 x 1
33	1960520	2	PUSHNUT, 5/8
34	1717675	2	ROLLER, End
35	1924366	3	WASHER, 5/8
36	1668513	8	ROLLER
37	1719905	1	SHAFT ASSEMBLY
38	1924940	4	WASHER, Flat, 3/8
39	1611705	1	SPACER
40	1715024	1	SPACER

Footnotes

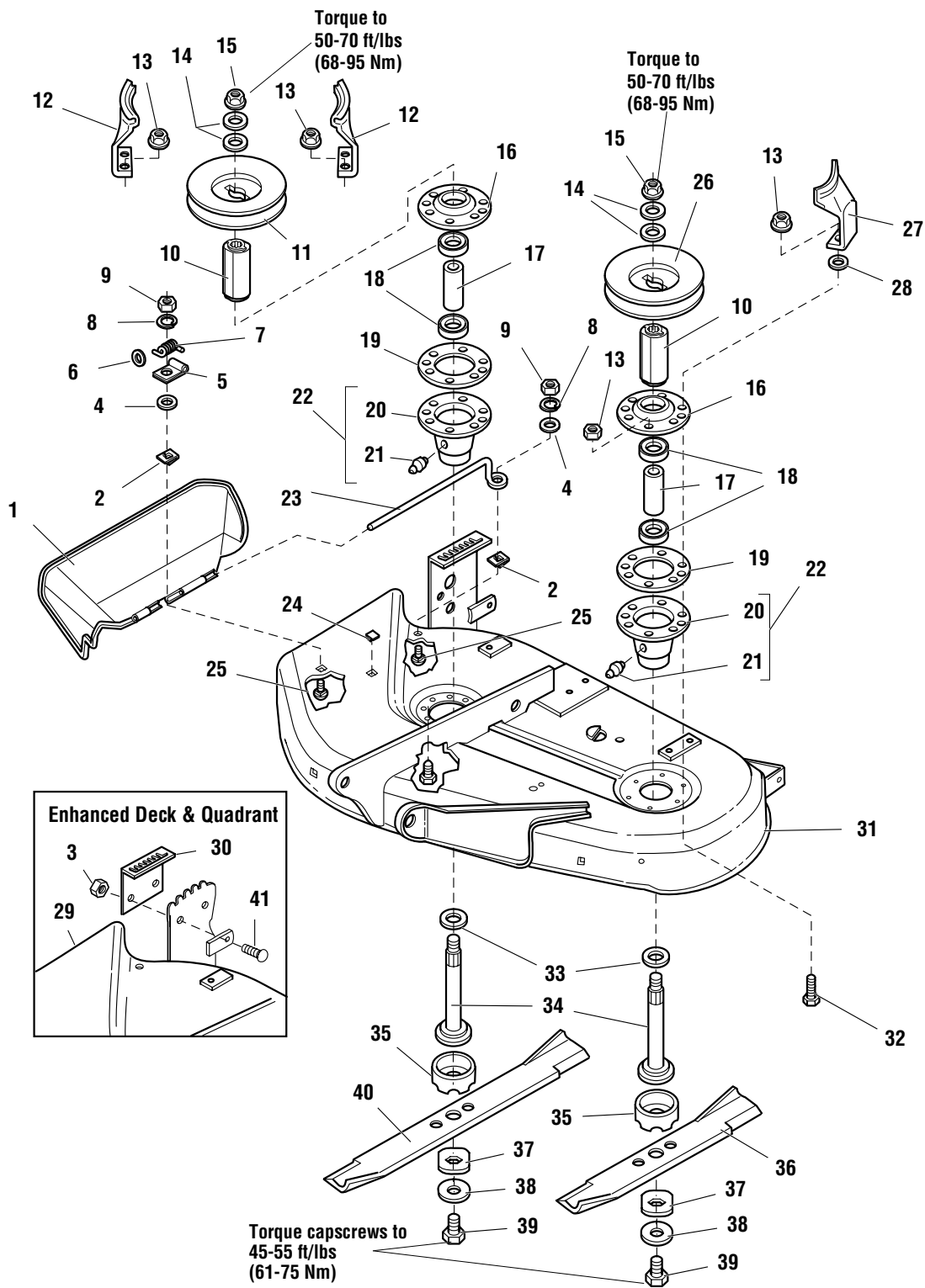
The above parts group applies to the following Mfg. Nos.:

1693920 - 38" Mower

38" Mower Deck - Housing, Arbors & Blades

NOTE: Unless noted otherwise, use the standard hardware torque specification chart.

85486AA



The above parts group applies to the following Mfg. Nos.:
1693920 - 38" Mower

38" Mower Deck - Housing, Arbors & Blades

REF NO	PART NO.	QTY.	DESCRIPTION
1	1705449	1	DEFLECTOR, Plastic
2	1960518	2	NUT, Push On
3	1919439	2	NUT, Hex ESNA Lock, 3/8-16
4	1960353	3	WASHER, 1/4
5	1704873	1	CLAMP
6	1919326	1	WASHER, Plain, 5/16
7	1723938	1	SPRING
8	1916964	2	LOCKWASHER, 1/4
9	1916622	2	NUT, Hex, 1/4-20
10	1713616	2	HUB
11	1720388	1	PULLEY, Deck Drive, RH 5-1/4
12	1714322	2	STOP, Belt, R.H.
13	1927557	2	NUT, Hex, Flange Whiz Lock, 5/16-18
14	1713675	4	WASHER, Belleville
15	1714419	2	NUT, Hex, Flange, 9/16-8
16	1713199	2	COVER, Arbor Housing
17	1713204	2	SPACER
18	1705897	4	BEARING
19	1707335	2	GASKET, Foam
20	1713338	2	HOUSING ARBOR, Bottom
21	1704314	2	FITTING, Grease
22	1713338	2	ARBOR HOUSING ASSEMBLY (Includes Ref. Nos. 20 & 21)
23	1706709	1	ROD, Deflector, Front
24	1705115	2	PLUG, Plastic
25	1960633	2	CARRIAGE BOLT, 1/4-20 x 7/8
26	1720387	1	PULLEY, Deck Drive, LH, OD 4"
27	1714321	1	STOP, Belt, LH
28	1924940	2	WASHER, Plain, 3/8
29	1686826	1	HOUSING ASSEMBLY, 38" Mower, Enhanced, (Orange)
29	41686826	1	HOUSING ASSEMBLY, 38" Mower, Enhanced, (Red)
30	1724785	1	QUADRANT
31	1686814	1	HOUSING ASSEMBLY, 38" Mower (Orange)
31	41686814	1	HOUSING ASSEMBLY, 38" Mower (Red)
32	1960373	12	CAPSCREW, Taptite Hex Washer Head, 5/16-18 x 1
33	1713619	2	WASHER
34	1713612	2	SHAFT, Arbor
35	1713196	2	SHIELD, Grass, Lower
36	1704856	1	BLADE, Mower, 16-1/8"
37	1713089	2	WASHER, Hex
38	1656916	2	WASHER, Spring

Footnotes

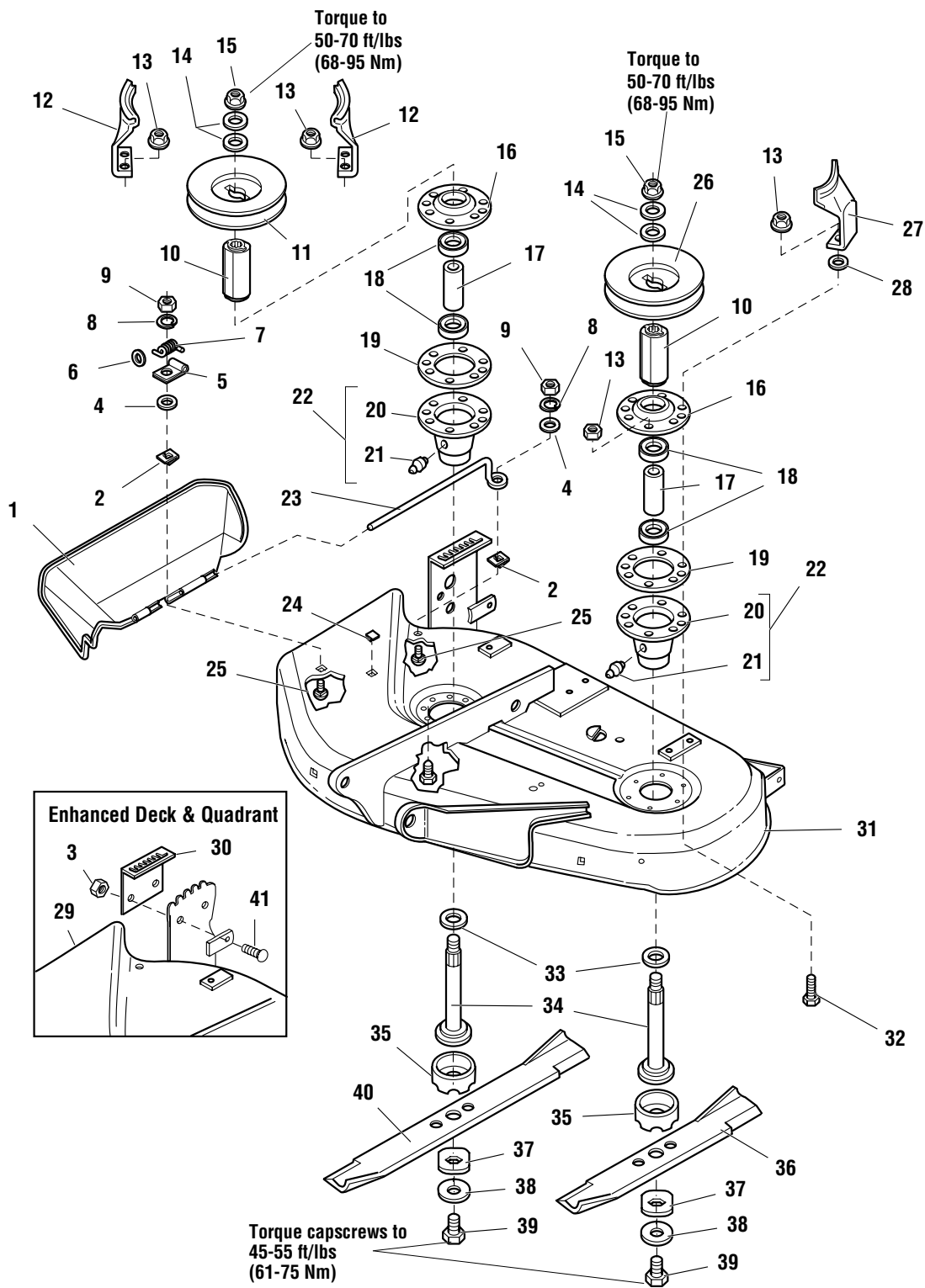
The above parts group applies to the following Mfg. Nos.:

1693920 - 38" Mower

38" Mower Deck - Housing, Arbors & Blades

NOTE: Unless noted otherwise, use the standard hardware torque specification chart.

85486AA



The above parts group applies to the following Mfg. Nos.:
1693920 - 38" Mower

38" Mower Deck - Housing, Arbors & Blades

REF NO	PART NO.	QTY.	DESCRIPTION
39	923471	2	CAPSCREW, Hex, Head, 7/16-14 x -1/4
40	1704101	1	BLADE, Mower, 22-1/4"
41	1931350	4	CARRIAGE BOLT, 3/8-16 x 1

Footnotes

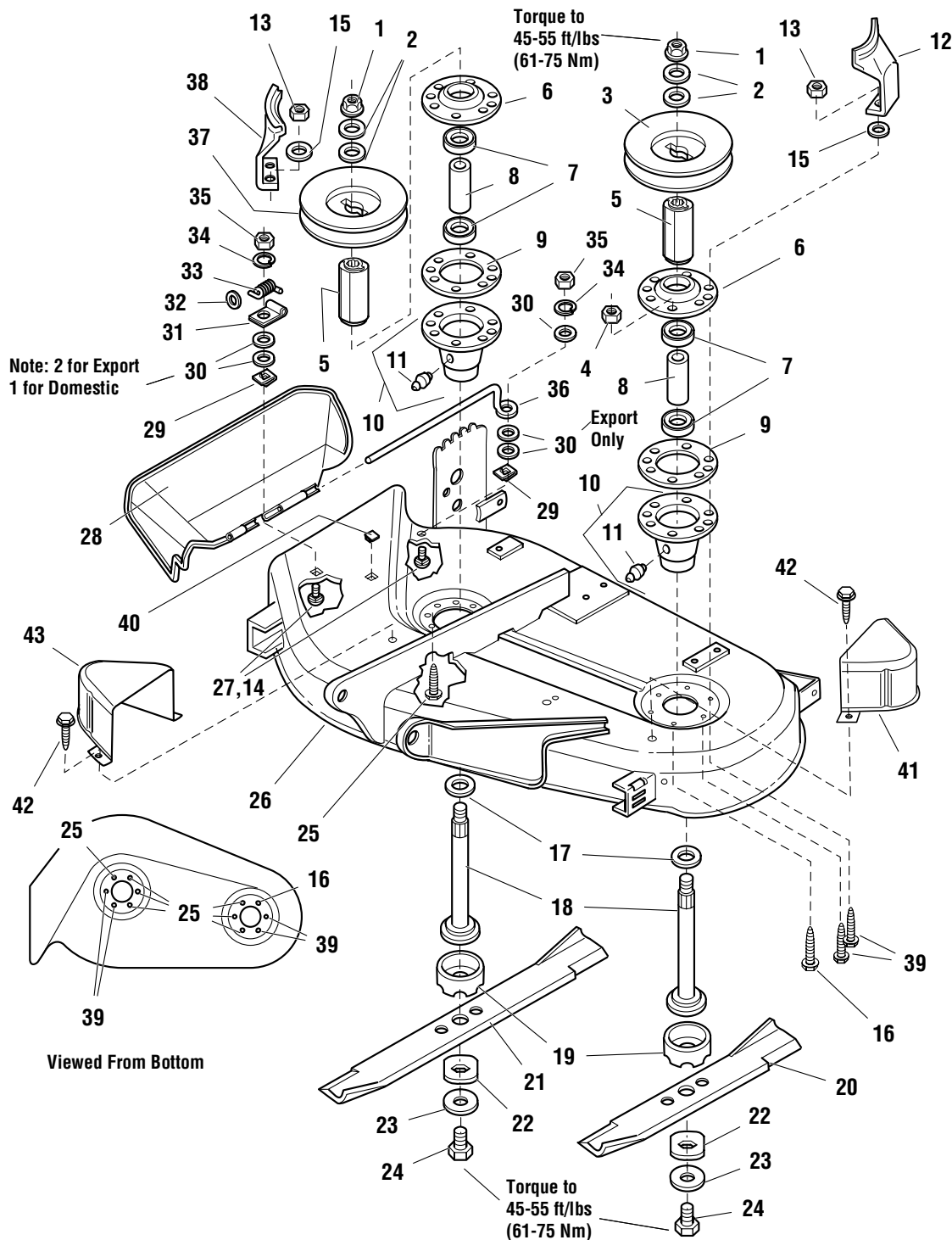
The above parts group applies to the following Mfg. Nos.:

1693920 - 38" Mower

38" Mower Deck - Housing, Arbors & Blades

986069

NOTE: Unless noted otherwise, use the standard hardware torque specification chart.



The above parts group applies to the following Mfg. Nos.:
1693930 - 38" Mower

38" Mower Deck - Housing, Arbors & Blades

REF NO	PART NO.	QTY.	DESCRIPTION
1	1714419	2	NUT, Hex, Flange, 9/16-8
2	1713675	4	WASHER, Belleville
3	1720387	1	PULLEY, LH, 4" OD
4	1917372	1	NUT, Hex, 5/16-18
5	1713616	2	HUB
6	1713199	2	COVER, Arbor Housing
7	1705897	4	BEARING
8	1713204	2	SPACER
9	1707335	2	GASKET, Foam
10	1713338	2	ARBOR HOUSING ASSEMBLY (Includes Ref. No. 11)
11	1704314	2	FITTING, Grease
12	1714321	1	STOP, Belt, LH
13	1927557	4	NUT, Hex, Whiz Lock, 5/16-18
14	1931320	2	CARRIAGE BOLT, 1/4-20 x 1-1/4 (Export)
15	1924940	4	WASHER, Flat, 3/8
16	1930600	1	CAPSCREW, Taptite Hex Washer Head, 5/16-18 x 1-1/2
17	1713619	2	WASHER
18	1713612	2	SHAFT, Arbor
19	1713196	2	SHIELD, Grass, Lower
20	1704856	1	BLADE, Mower, 16-1/8
21	1704101	1	BLADE, Mower, 22-1/4
22	1713089	2	WASHER, Hex
23	1656916	2	WASHER, Spring
24	923471	2	CAPSCREW, Hex Head, 7/16-14 x -1/4
25	1664847	7	CAPSCREW, Taptite Hex Washer Head, 5/16-18 x 3/4
26	1686826	1	MOWER DECK HOUSING, 38", Orange
26	41686826	1	MOWER DECK HOUSING, 38", Red
26	61686826	1	MOWER DECK HOUSING, 38", Black
27	1931318	2	CARRIAGE BOLT, 1/4-20 x 7/8
27	1931320	2	CARRIAGE BOLT, 1/4-20 x 1-1/4 (Export)
28	1705449	1	DEFLECTOR, Plastic
29	1960518	2	NUT, Push On
30	1960353	6	WASHER, Plain, 1/4 (6 Total for Export)
31	1704873	1	CLAMP
32	1919326	1	WASHER, Plain, 5/16
33	1723938	1	SPRING
34	1916964	2	LOCKWASHER, 1/4
35	1916622	2	NUT, Hex, 1/4-20
36	1706709	1	ROD, Deflector, Front
37	1720388	1	PULLEY, RH, 5-1/4 OD

Footnotes

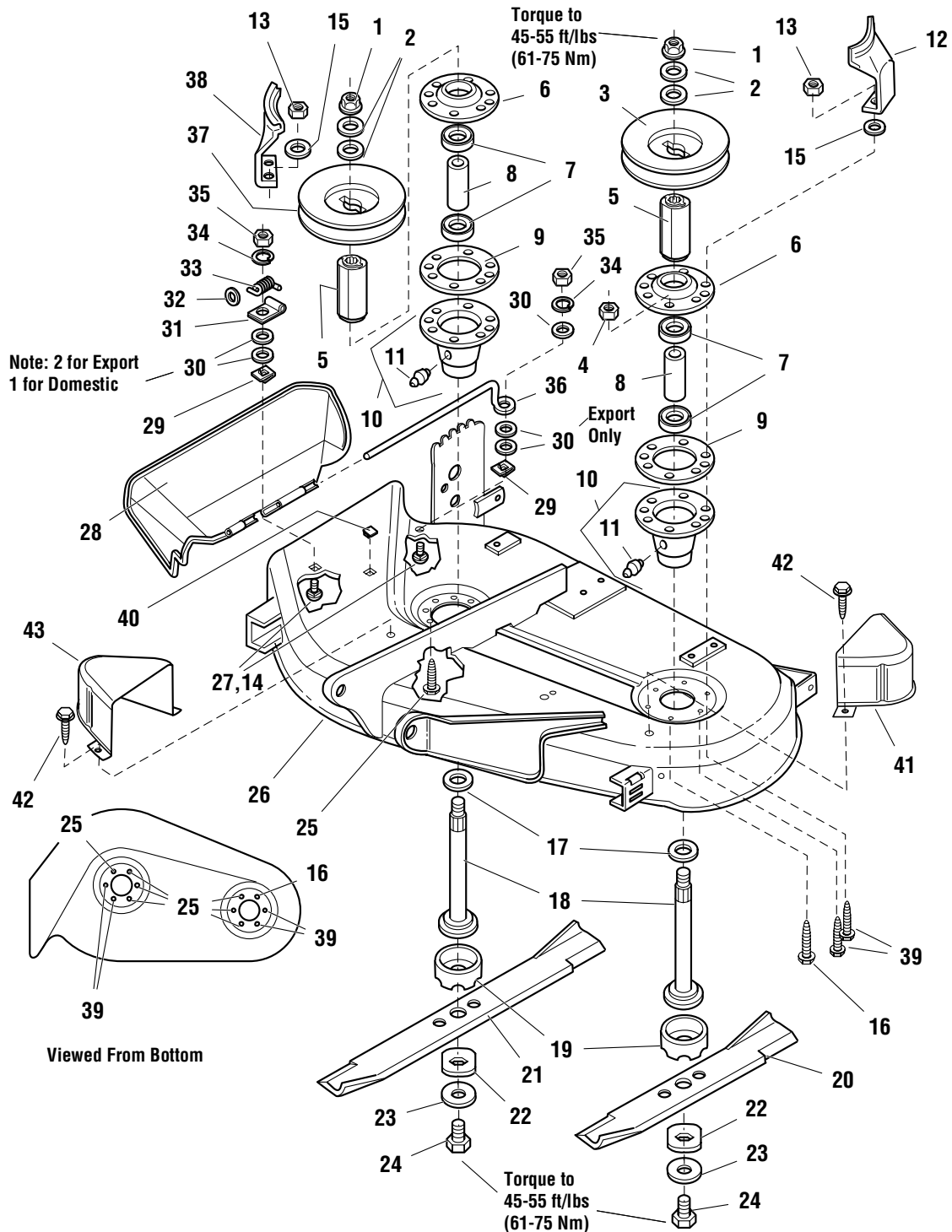
The above parts group applies to the following Mfg. Nos.:

1693930 - 38" Mower

38" Mower Deck - Housing, Arbors & Blades

986069

NOTE: Unless noted otherwise, use the standard hardware torque specification chart.



The above parts group applies to the following Mfg. Nos.:
1693930 - 38" Mower

38" Mower Deck - Housing, Arbors & Blades

REF NO	PART NO.	QTY.	DESCRIPTION
38	1714322	1	STOP, Belt, RH
39	1960373	4	CAPSCREW, Taptite Hex Washer Head, 5/16-18 x 1
40	1705115	2	PLUG, Plastic
41	1721143	1	COVER ASSEMBLY LH, Arbor (Export)
42	1664847	3	CAPSCREW, Hex Head, Taptite, 5/16-18 x 3/4 (Export)
43	1721142	1	COVER ASSEMBLY R H, Arbor (Export)

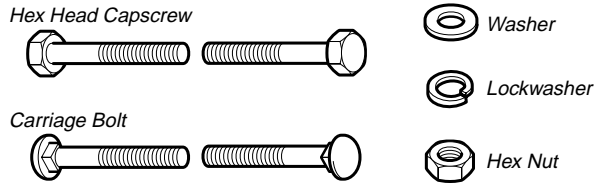
Footnotes

The above parts group applies to the following Mfg. Nos.:

1693930 - 38" Mower

Hardware Identification & Torque Specifications

Common Hardware Types

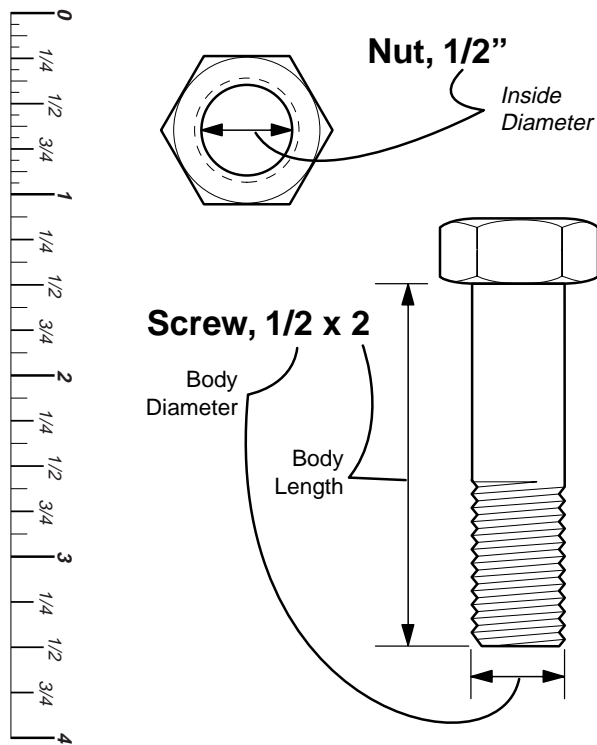


Standard Hardware Sizing

When a washer or nut is identified as **1/2"**, this is the *Nominal size*, meaning the *inside diameter* is 1/2 inch; if a second number is present it represents the *threads per inch*

When bolt or capscrew is identified as **1/2 - 16 x 2"**, this means the *Nominal size*, or *body diameter* is 1/2 inch; the second number represents the *threads per inch* (16 in this example, and the final number is the *body length* of the bolt or screw (in this example 2 inches long).

The guides and ruler furnished below are designed to help you select the appropriate hardware and tools.



Torque Specification Chart						
FOR STANDARD MACHINE HARDWARE (Tolerance ± 20%)						
Hardware Grade	No Marks SAE Grade 2		SAE Grade 5		SAE Grade 8	
	in/lbs ft/lbs	Nm.	in/lbs ft/lbs	Nm.	in/lbs ft/lbs	Nm.
8-32	19	2.1	30	3.4	41	4.6
8-36	20	2.3	31	3.5	43	4.9
10-24	27	3.1	43	4.9	60	6.8
10-32	31	3.5	49	5.5	68	7.7
1/4-20	66	7.6	8	10.9	12	16.3
1/4-28	76	8.6	10	13.6	14	19.0
5/16-18	11	15.0	17	23.1	25	34.0
5/16-24	12	16.3	19	25.8	27	34.0
3/8-16	20	27.2	30	40.8	45	61.2
3/8-24	23	31.3	35	47.6	50	68.0
7/16-14	30	40.8	50	68.0	70	95.2
7/16-20	35	47.6	55	74.8	80	108.8
1/2-13	50	68.0	75	102.0	110	149.6
1/2-20	55	74.8	90	122.4	120	163.2
9/16-12	65	88.4	110	149.6	150	204.0
9/16-18	75	102.0	120	163.2	170	231.2
5/8-11	90	122.4	150	204.0	220	299.2
5/8-18	100	136	180	244.8	240	326.4
3/4-10	160	217.6	260	353.6	386	525.0
3/4-16	180	244.8	300	408.0	420	571.2
7/8-9	140	190.4	400	544.0	600	816.0
7/8-14	155	210.8	440	598.4	660	897.6
1-8	220	299.2	580	788.8	900	1,244.0
1-12	240	326.4	640	870.4	1,000	1,360.0

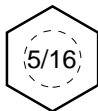
NOTES

- These torque values are to be used for all hardware excluding: locknuts, self-tapping screws, thread forming screws, sheet metal screws and socket head setscrews.
- Recommended seating torque values for locknuts:
 - for prevailing torque locknuts - use 65% of grade 5 torques.
 - for flange whizlock nuts and screws - use 135% of grade 5 torques.
- Unless otherwise noted on assembly drawings, all torque values must meet this specification.

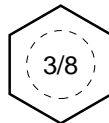
Wrench & Fastener Size Guide



1/4" Bolt or Nut
Wrench—7/16"



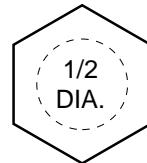
5/16" Bolt or Nut
Wrench—1/2"



3/8" Bolt or Nut
Wrench—9/16"



7/16" Bolt or Nut
Wrench (Bolt)—5/8"
Wrench (Nut)—11/16"



1/2" Bolt or Nut
Wrench—3/4"

Simplicity

MANUFACTURING, INC.
500 N. Spring Street / PO Box 997
Port Washington, WI 53074-0997 USA

www.simplicitymfg.com

© Copyright 2003 Simplicity Manufacturing, Inc.
All Rights Reserved. Printed In USA.

