

512G SERIES

512G - 36
Mfg. No. 1692055
Mfg. No. 1692096

36" Mower
Mfg. No. 1691420



PARTS MANUAL

DEUTZ-ALLIS®
LAWN & GARDEN EQUIPMENT

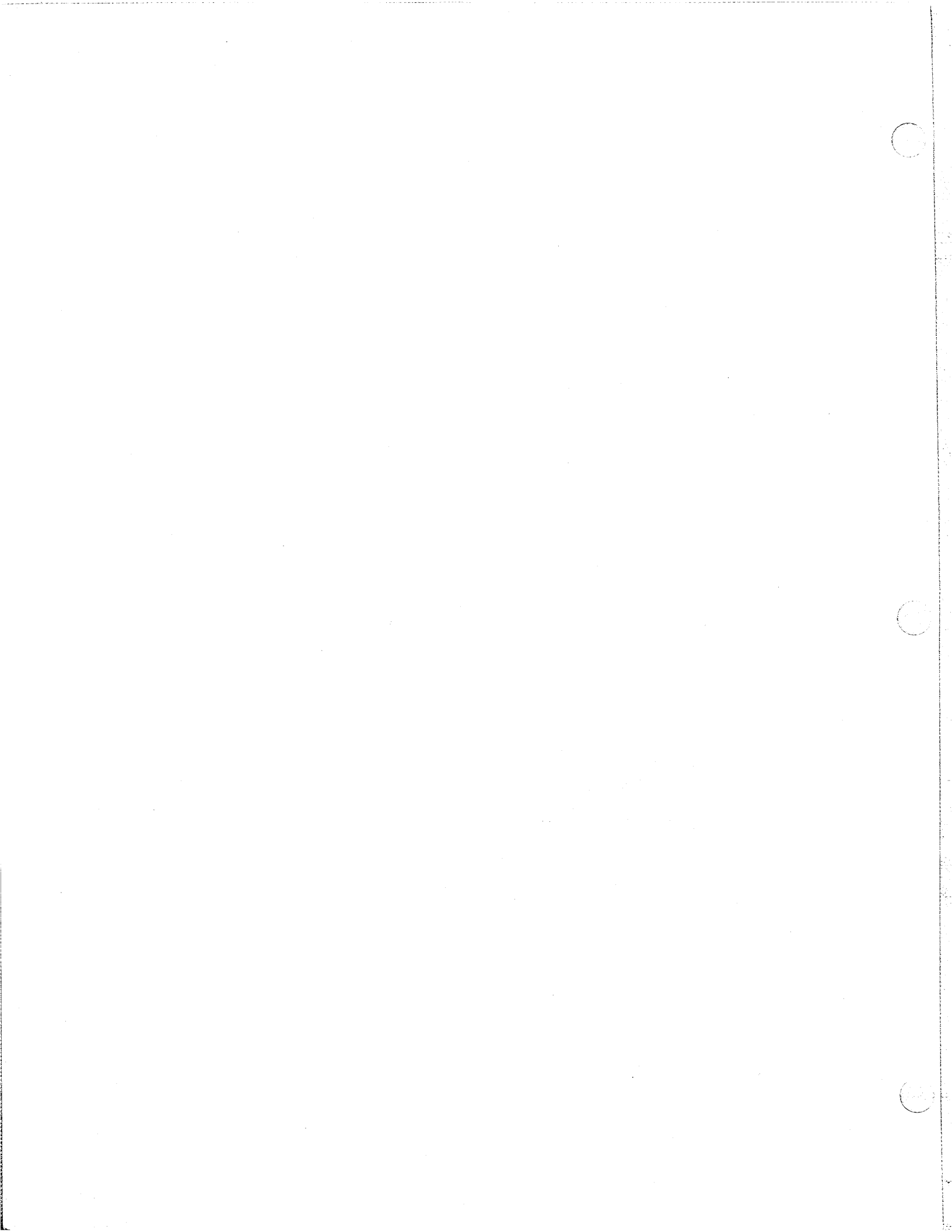
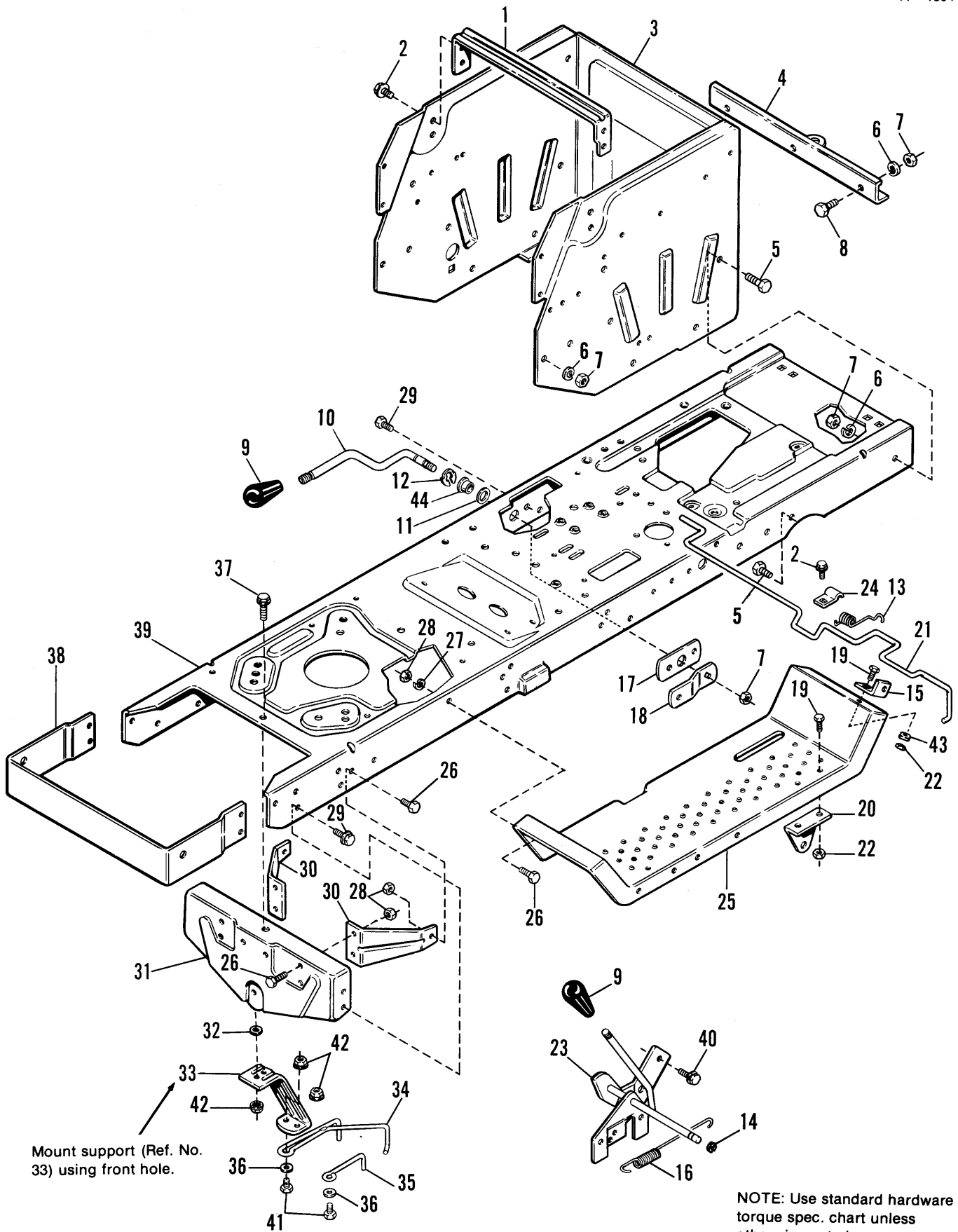
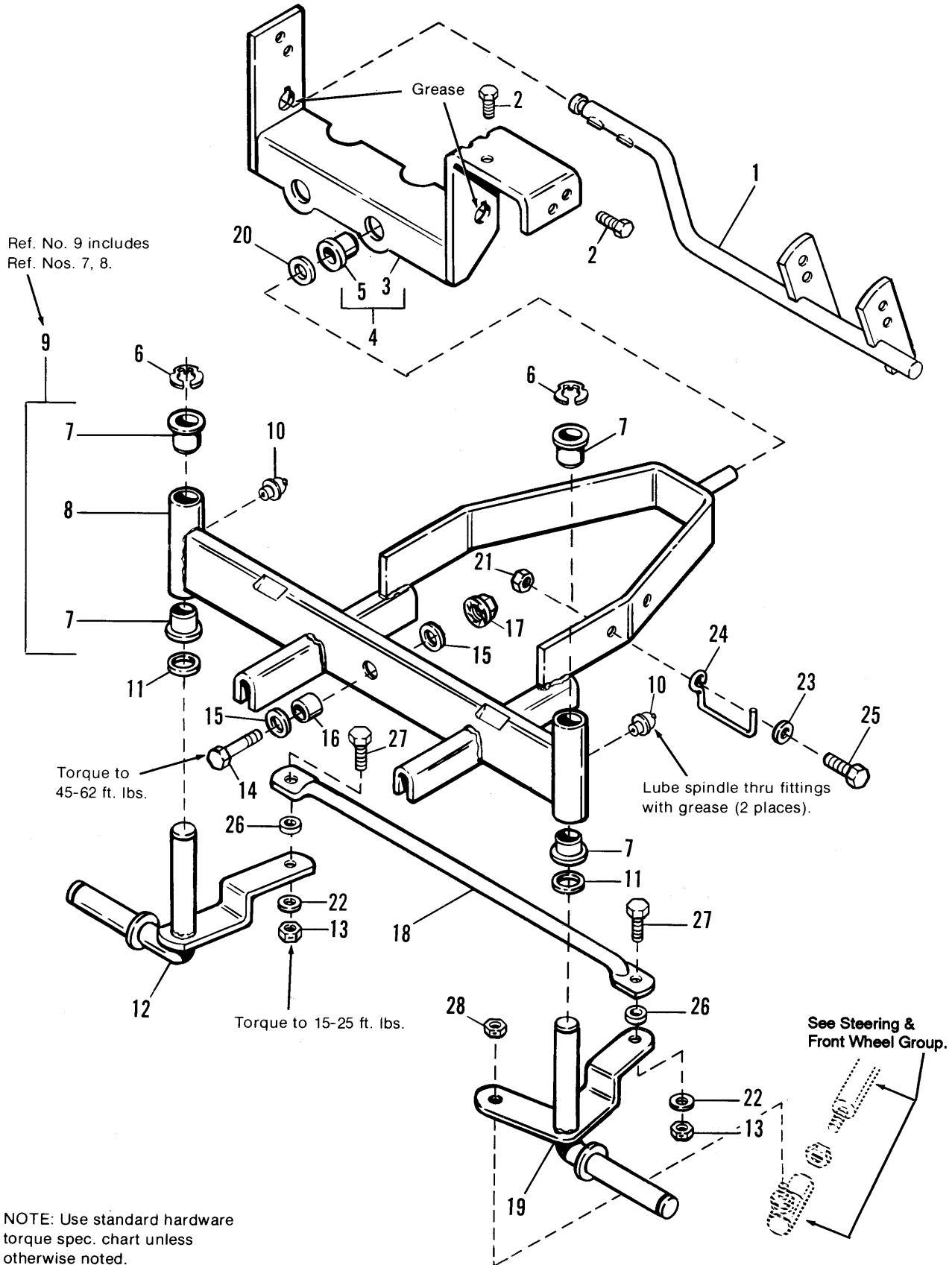


Table of Contents

| | |
|--|--------------------------|
| FRAME GROUP | 2 |
| Frame, Wrapper; Draw Bar; Footrest; Supports; Lift Handle; PTO Assy.; Up-Stops; Latch Assy. | |
| FRONT AXLE GROUP | 4 |
| Brake Lever Assy.; Support Assy.; Axle Assy.; Spindles; Tie Rod; Grease Fittings | |
| STEERING & FRONT WHEEL GROUP | 6 |
| Steering Plate; Steering Wheel; Ball Joint Assy.; Drag Link Assy.; Wheel & Tire Assy.; Hub Caps | |
| ENGINE GROUP | 8 |
| Choke Control; Engine; Engine Pulley Assy.; Muffler Extension Assy.; Oil Drain Pipe | |
| REAR TIRES & DRIVE GROUP (1692055 only) | 10 |
| Transmission Support; "V" Belt; Shift Rod; Wheel & Tire Assy. | |
| REAR TIRES & DRIVE GROUP (1692096 only) | 12 |
| Transmission Support; "V" Belt; Shift Rod; Wheel & Tire Assy. | |
| BRAKE & CLUTCH | 14 |
| Clutch Arm Assy.; Idler Pulley; Springs & Guides; Brake Rod & Guide; Foot Pedal | |
| ELECTRICAL GROUP | 16 |
| Ignition Switch; Wiring Harness; Solenoid; Circuit Breaker; Battery, DSI Interlock Module | |
| HOOD, GRILLE & DASH GROUP | 18 |
| Dash Board, Fuel Tank & Hose, Grille, Hood & Side Panels | |
| SEAT & DECK GROUP | 20 |
| Seat; Springs; Hinges; Supports; Deck | |
| 36" MOWER, DECK & ARBOR GROUP | 22 |
| Pulley Assy.; Shields; Bearings; Deflector; Shafts; Baffle | |
| 36" CLUTCH & ROLLER SUPPORT GROUP | 24 |
| Brake Lever; Support & Rod Assy.; Quadrant Assy. | |
| 36" ROLLER & MISC. GROUP | 26 |
| "V" Belt; Lift Chain; Control Lever; PTO Rod; Lift Rod; Clevis | |
| PEERLESS TRANSAXLE MODEL 801-019 (used on 1692055 tractor) | 28 |
| PEERLESS TRANSAXLE MODEL 930-039 (used on 1692096 tractor) | 32 |
| DECAL GROUP | 36 |
| TORQUE SPECIFICATIONS | Inside Back Cover |

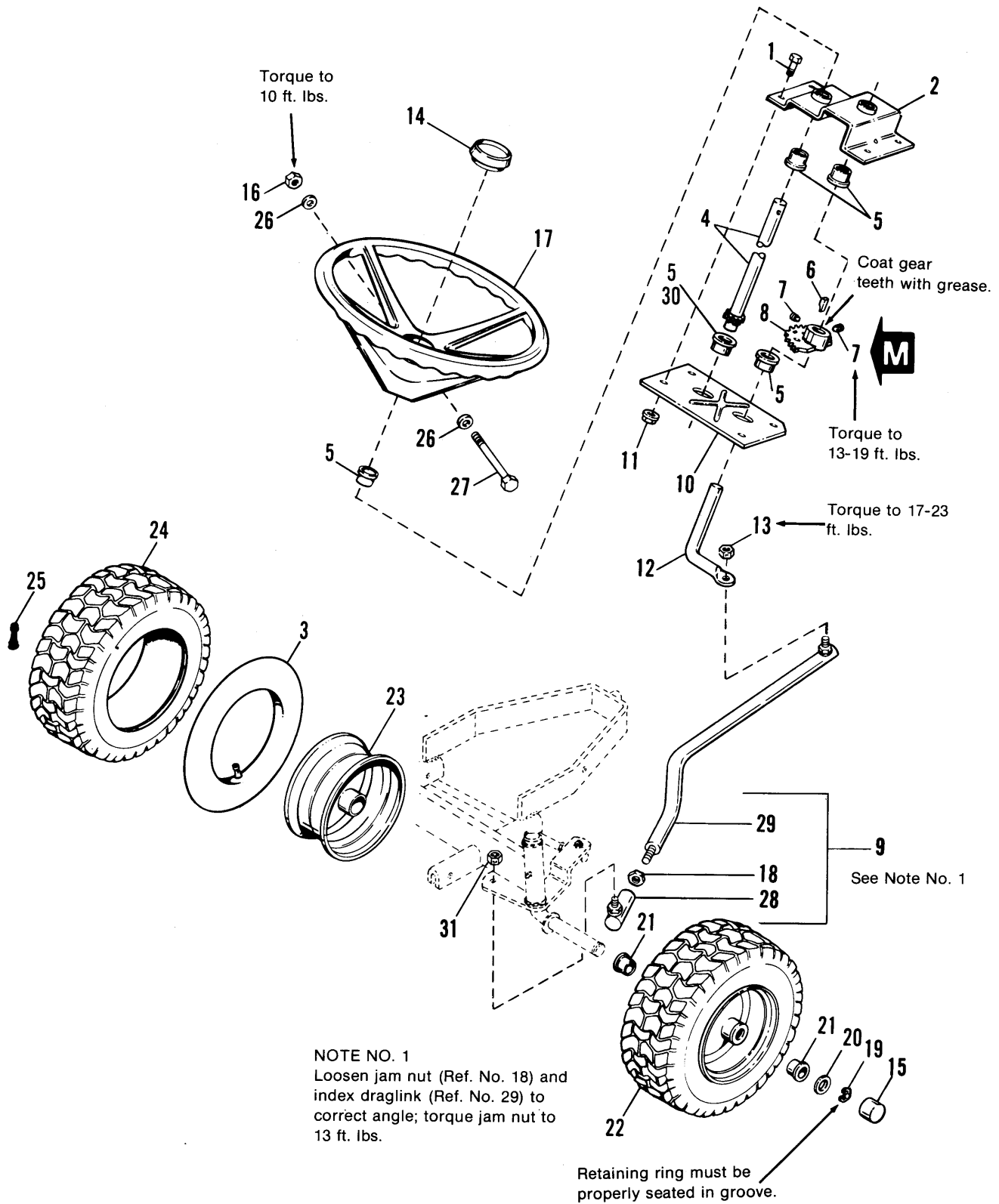


| Ref. No. | Part No. | Qty. | Description |
|----------|----------|------|---|
| 1 | 1654707 | 1 | BRACE, Seat |
| 2 | 1924856 | 6 | SCREW, Taptite, 5/16-18 x 1/2 |
| 3 | 1702627 | 1 | SUPPORT, Axle Wrapper |
| 4 | 1655591 | 1 | BAR, Draw |
| 5 | 1921210 | 6 | CAPSCREW, Hex, 3/8-16 x 1 |
| 6 | 1916965 | 9 | LOCKWASHER, 3/8 |
| 7 | 1916950 | 10 | NUT, Hex, 3/8-16 |
| 8 | 921965 | 3 | CAPSCREW, Hex, 3/8-16 x 3/4 |
| 9 | 172038 | 2 | KNOB, Handle |
| 10 | 1685412 | 1 | HANDLE, Lift |
| 11 | 960171 | 1 | WASHER |
| 12 | 1703805 | 1 | KLIPRING, 1/2 |
| 13 | 1701314 | 1 | SPRING, Torsion |
| 14 | 158399 | 2 | RING, Retaining |
| 15 | 1700670 | 1 | BRACKET, Seat Latch |
| 16 | 1673911 | 1 | SPRING, Extension |
| 17 | 1656754 | 1 | BAR, Support |
| 18 | 1656755 | 1 | ARM, Support |
| 19 | 1921959 | 3 | CAPSCREW, Hex, 1/4-20 x 5/8 |
| 20 | 1654783 | 1 | SUPPORT, Clutch |
| 21 | 1701268 | 1 | ROD, Latch |
| 22 | 1916622 | 3 | NUT, Hex, 1/4-20 |
| 23 | 1702452 | 1 | HANDLE ASSY., PTO Clutch |
| 24 | 1678388 | 2 | CLIP |
| 25 | 1679938 | 2 | FOOTREST |
| 26 | 1921332 | 14 | CAPSCREW, Hex, 5/16-18 x 3/4 |
| 27 | 1917356 | 14 | LOCKWASHER, 5/16 |
| 28 | 1917372 | 14 | NUT, Hex, Full, 5/16-18 (Qty. 18 on 8 HP) |
| 29 | 1664847 | 6 | SCREW, Taptite, 5/16-18 x 3/4 |
| 30 | 1655076 | 2 | BRACE, Axle Support |
| 31 | 1664034 | 1 | SUPPORT, Axle |
| 32 | 1919381 | 1 | WASHER, Plain, 11/32-1 x 10 Ga. |
| 33 | 1665803 | 1 | SUPPORT |
| 34 | 1672118 | 1 | STOP, Belt |
| 35 | 1665812 | 1 | STOP, Belt |
| 36 | 1919326 | 2 | WASHER, 11/32 |
| 37 | 1930595 | 1 | CAPSCREW, Hex Flange Hd., 5/16-18 x 1-1/4 |
| 38 | 1656791 | 1 | SUPPORT |
| 39 | 1702626 | 1 | FRAME |
| 40 | 1925003 | 2 | SCREW, Taptite, 1/4-20 x 1/2 |
| 41 | 1923325 | 2 | CAPSCREW, Hex, 5/16-18 x 7/8 |
| 42 | 1927557 | 3 | LOCKNUT, Hex, Flange Whiz, 5/16-18 |
| 43 | 1921319 | 1 | WASHER |
| 44 | 1704505 | 1 | BUSHING |



NOTE: Use standard hardware torque spec. chart unless otherwise noted.

| Ref. No. | Part No. | Qty. | Description |
|----------|----------|------|--|
| 1 | 1665864 | 1 | LEVER ASSY., Brake |
| 2 | 1664847 | 5 | SCREW, Taptite, 5/16-18 x 3/4 |
| 3 | | 1 | SUPPORT ASSY., Axle, Rear (See Ref. No. 4) |
| 4 | 1665601 | 1 | SUPPORT ASSY., Rear (Incl. Ref. No. 5) |
| 5 | 1663114 | 1 | BUSHING |
| 6 | 1611710 | 2 | KLIPRING, Ext., 3/4 |
| 7 | 176440 | 4 | BUSHING |
| 8 | | 1 | AXLE SUB ASSY. (See Ref. No. 9) |
| 9 | 1611708 | 1 | AXLE ASSY., Front (Incl. Ref. Nos. 7 & 8) |
| 10 | 921133 | 2 | FITTING, Lube, Drive Type |
| 11 | 1960114 | 2 | WASHER |
| 12 | 1611703 | 1 | SPINDLE ASSY., R.H. |
| 13 | 1930651 | 2 | LOCKNUT, Hex, 3/8-16 |
| 14 | 1921525 | 1 | CAPSCREW, Hex, 1/2-13 x 1-3/4 (Gr. 8) |
| 15 | 1924361 | 2 | WASHER |
| 16 | 1671260 | 1 | SPACER |
| 17 | 1960362 | 1 | LOCKNUT, Hex Flange Lock, 1/2-13 |
| 18 | 1611715 | 1 | TIE ROD ASSY. |
| 19 | 1705918 | 1 | SPINDLE ASSY., L.H. |
| 20 | 1960020 | 1 | WASHER |
| 21 | 1917372 | 1 | NUT, Hex, 5/16-18 |
| 22 | 1924940 | 2 | WASHER, 3/8 |
| 23 | 1919326 | 1 | WASHER |
| 24 | 1668147 | 1 | GUIDE, Drag Link |
| 25 | 1921333 | 1 | CAPSCREW, Hex Hd., 5/16-18 x 1 |
| 26 | 1611705 | 2 | SPACER |
| 27 | 1921210 | 2 | CAPSCREW, 3/8-16 x 1 |
| 28 | 1930245 | 1 | LOCKNUT, Center, 1/2-20 |

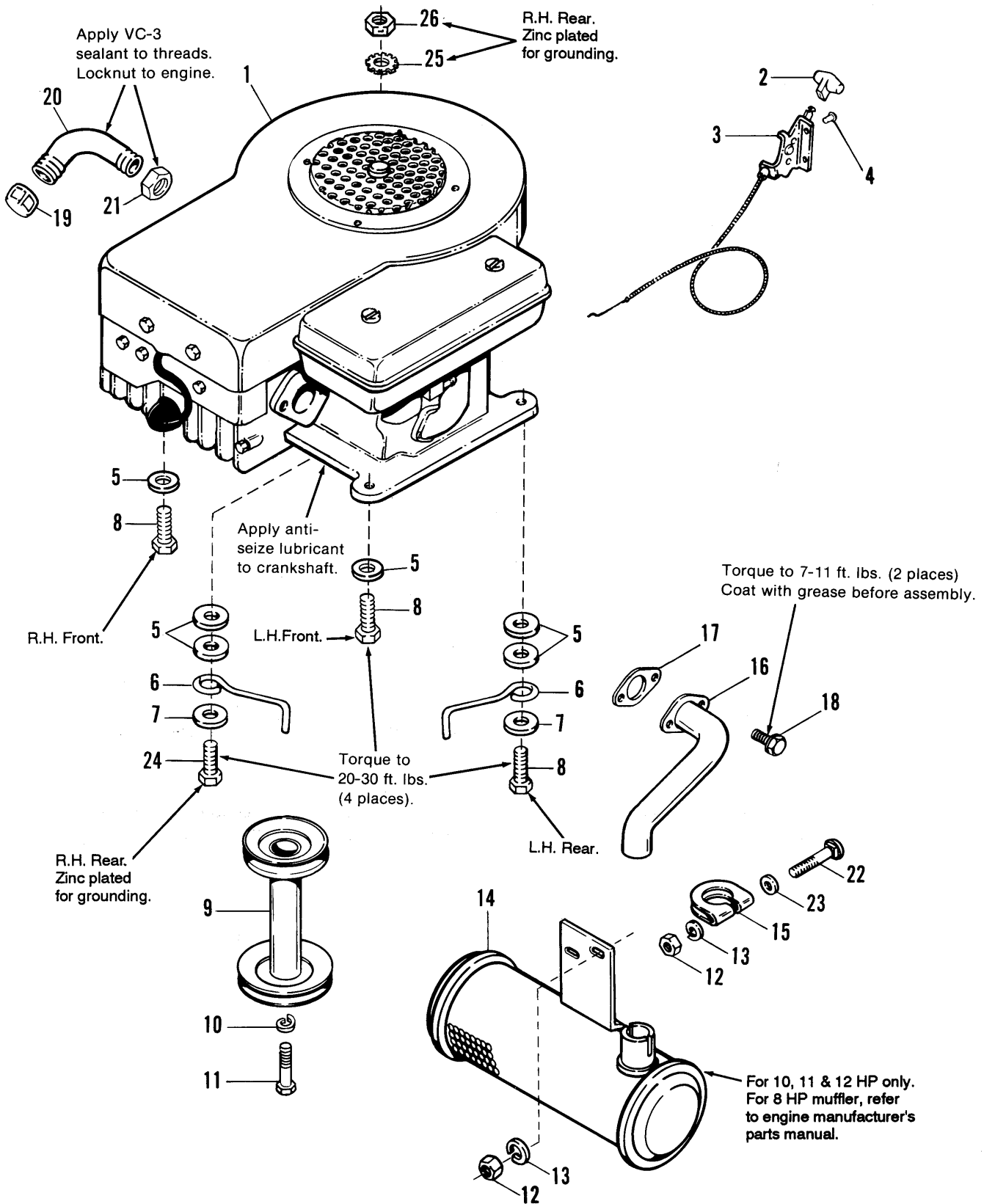


NOTE NO. 1
Loosen jam nut (Ref. No. 18) and index draglink (Ref. No. 29) to correct angle; torque jam nut to 13 ft. lbs.

NOTE: Use standard hardware torque spec. chart unless otherwise noted.

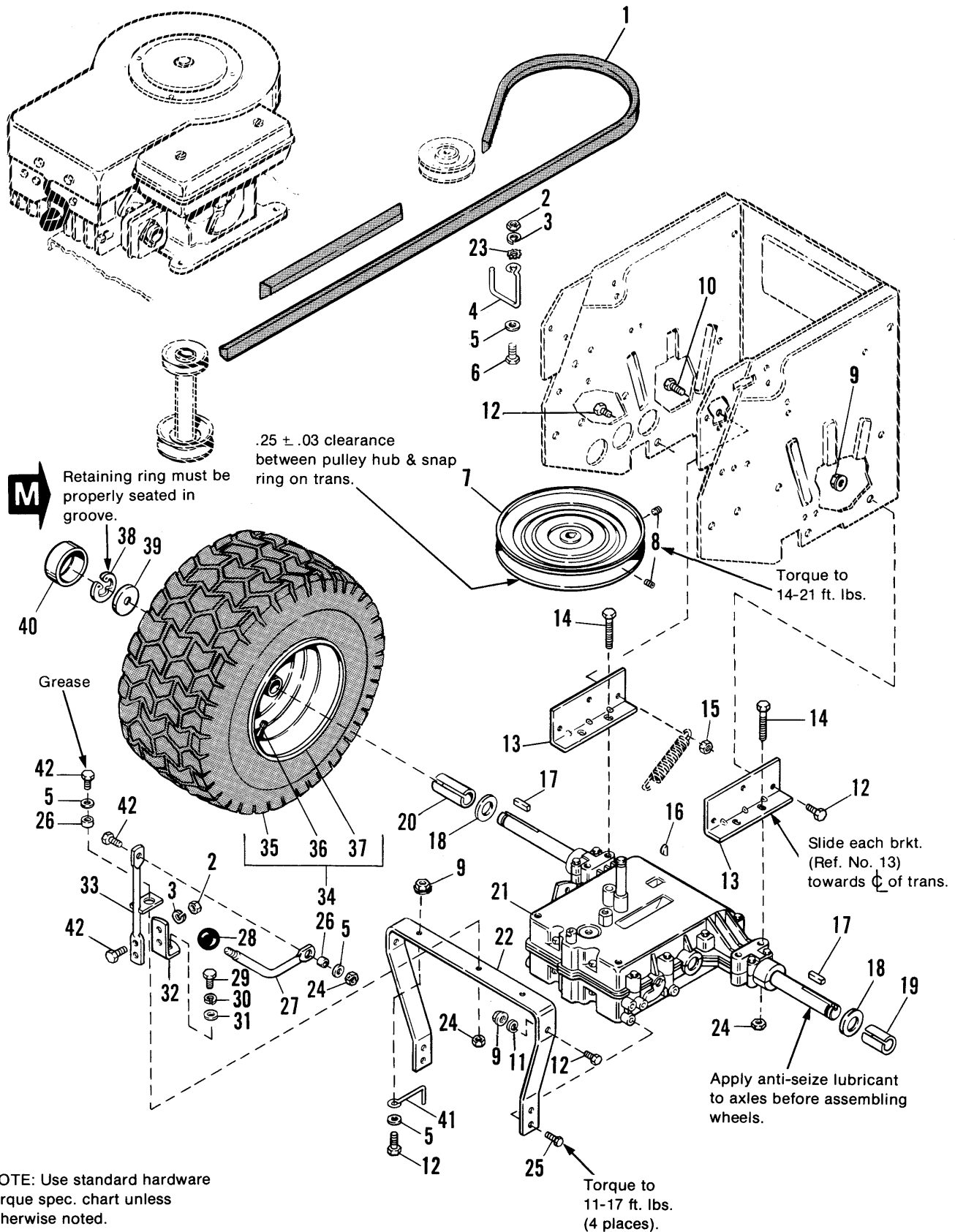
| Ref. No. | Part No. | Qty. | Description |
|----------|----------|------|---|
| 1 | 1921332 | 4 | CAPSCREW, 5/16-18 x 3/4 |
| 2 | 1667513 | 1 | TOP PLATE, Steering |
| 3 | 1664090 | 1 | TUBE (For Service Only) |
| 4 | 1701266 | 1 | SHAFT ASSY., Steering |
| 5 | 176440 | 4 | BUSHING |
| 6 | 1667622 | 1 | KEY |
| 7 | 1928721 | 2 | SETSCREW, 5/16-18 x 1/2 |
| 8 | 1675388 | 1 | GEAR, Steering |
| 9 | 1685432 | 1 | LINK ASSY., Drag (Incl. Ref. Nos. 18, 28 & 29) |
| 10 | 1652743 | 1 | BASE PLATE, Steering |
| 11 | 1935048 | 4 | LOCKNUT, Flange, Whiz, 5/16-18 |
| 12 | 1674076 | 1 | ROD, Steering |
| 13 | 1668927 | 1 | LOCKNUT, Center, 3/8-24 |
| 14 | 1657017 | 1 | CAP, Steering Wheel |
| 15 | 1673333 | 2 | CAP, Hub, Threaded |
| 16 | 1923362 | 1 | LOCKNUT, Hex, 5/16-18 |
| 17 | 1670989 | 1 | WHEEL, Steering |
| 18 | 1919262 | 1 | NUT, Jam, 1/2-20 |
| 19 | 1611710 | 2 | KLIPRING, Ext., 3/4 |
| 20 | 960202 | 2 | WASHER |
| 21 | 1679713 | 4 | BEARING, 1.38 O.D. |
| 22 | 1705378 | 2 | WHEEL & TIRE ASSY., 15 x 6.00-6 (Turf-Saver) (Includes Ref. Nos. 21, 23, 24, 25) |
| 23 | 1705379 | 2 | WHEEL, w/Bearings, 15 x 6.00 |
| 24 | 1653618 | 2 | TIRE (Carlisle) 15 x 6.00-6 Turf-Saver |
| 25 | 172353 | 2 | STEM, Valve |
| 26 | 1919326 | 2 | WASHER, Plain, 5/16 |
| 27 | 1925690 | 1 | BOLT, Hex, 5/16-18 x 3-1/2 |
| 28 | 1705437 | 1 | BALL JOINT ASSY., 1/2-20 Thrd. Stud. |
| 29 | | 1 | LINK, Drag (Not Serviced Separately. See Ref. No. 9) |
| 30 | 1671737 | 1 | BUSHING |
| 31 | 1930245 | 1 | LOCKNUT, Center, 1/2-20 |

NOTE: Simplicity Brand Pneumatic Tire Sealant can be used in place of tubes to stop rim leaks and fill small punctures. See inside front cover for part numbers of tubes and cases.



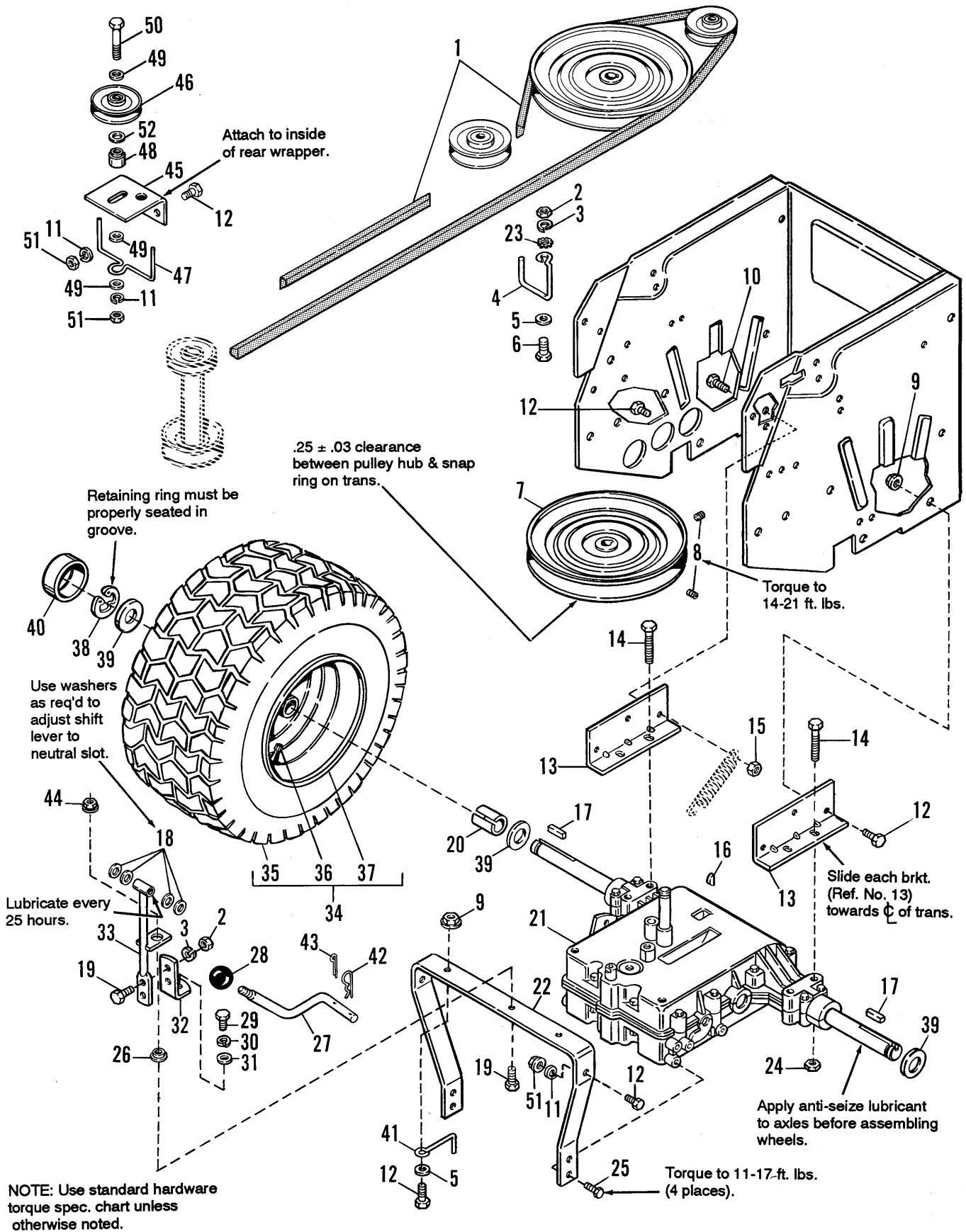
NOTE: Use standard hardware torque spec. chart unless otherwise noted.

| Ref. No. | Part No. | Qty. | Description |
|----------|----------|------|---|
| 1 | | 1 | ENGINE, 12.5 HP |
| 2 | 1656099 | 1 | KNOB, Throttle |
| 3 | 1707388 | 1 | CONTROL ASSY., Throttle |
| 4 | 960241 | 2 | RIVET, Pop, 1/4 |
| 5 | 1924356 | 6 | WASHER, Plain, 3/8 |
| 6 | 172844 | 2 | STOP, Belt |
| 7 | 1924940 | 2 | WASHER, 13/32 |
| 8 | 1930598 | 3 | SCREW, Taptite, 3/8-16 x 1-1/2 |
| 9 | 1674163 | 1 | PULLEY ASSY., Engine |
| 10 | 1918199 | 1 | LOCKWASHER, 7/16 |
| 11 | 1928038 | 1 | CAPSCREW, Hex, 7/16-20 x 1-1/4 |
| 12 | 1917372 | 3 | NUT, Hex, 5/16-18 (Qty. 2 on 8 HP) |
| 13 | 1917356 | 5 | LOCKWASHER, 5/16 (Qty. 2 on 8 HP) |
| 14 | 1655848 | 1 | MUFFLER |
| 15 | 1676183 | 1 | CLAMP |
| 16 | 1655860 | 1 | PIPE, Exhaust |
| 17 | 1650670 | 1 | GASKET, Muffler |
| 18 | 1921332 | 2 | SCREW, Whizlock, 5/16-18 x 3/4 |
| 19 | 1667346 | 1 | CAP, Pipe |
| 20 | 1658032 | 1 | PIPE, Oil Drain (Incl. Ref. Nos. 19 & 21) |
| 21 | 1932849 | 1 | LOCKNUT |
| 22 | 1931342 | 1 | BOLT, Carriage 5/16-18 x 2-3/4 Gr. 5 |
| 23 | 1919326 | 1 | WASHER |
| 24 | 960361 | 1 | SCREW, Taptite, 3/8-16 x 2, Zinc Pltd. |
| 25 | 920427 | 1 | LOCKWASHER, Ext., 3/8, Zinc Pltd. |
| 26 | 916950 | 1 | NUT, Hex Jam Lock, 3/8-16, Zinc Pltd. |



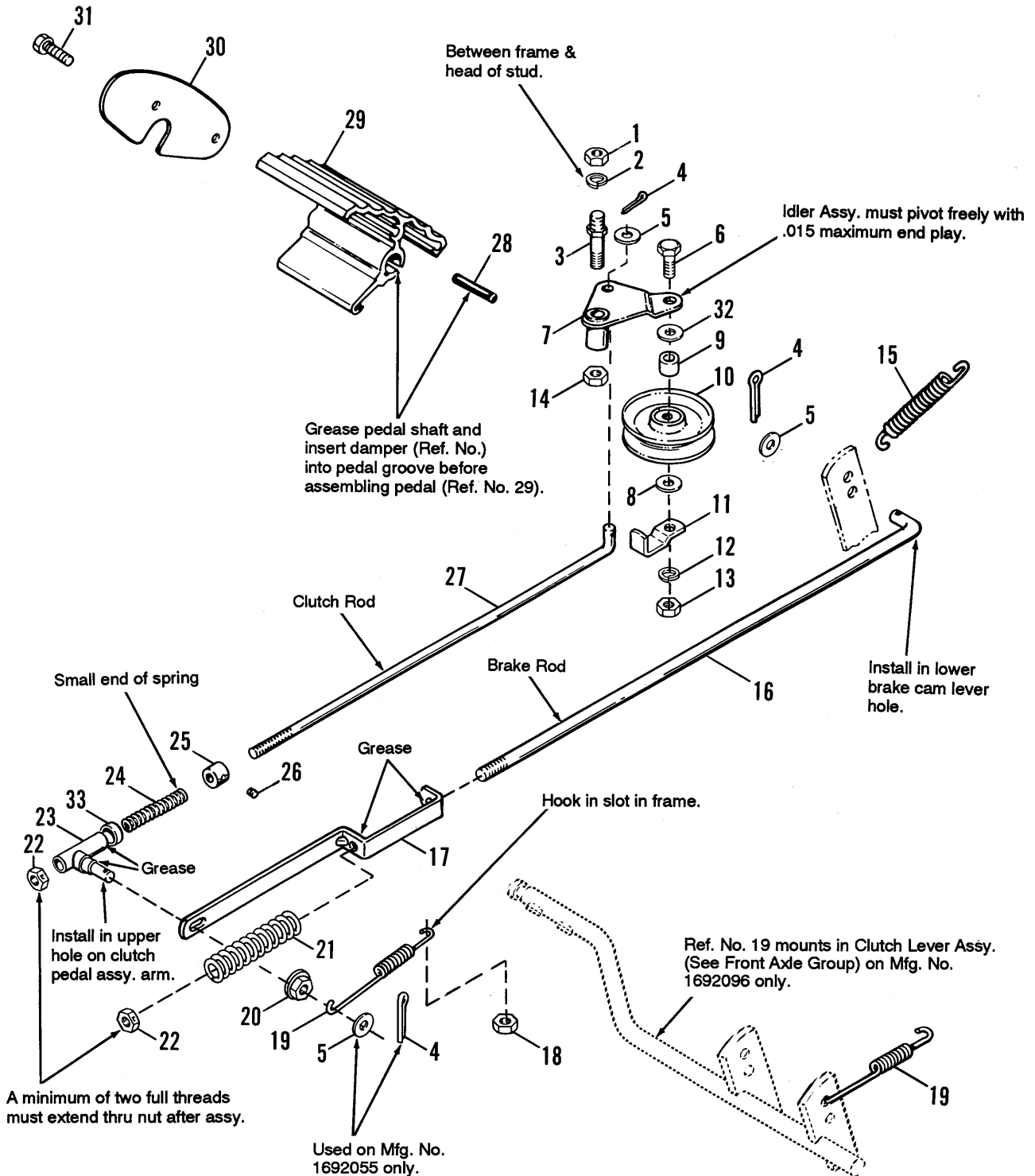
| Ref. No. | Part No. | Qty. | Description |
|----------|----------|------|---|
| 1 | 1666698 | 1 | "V" BELT |
| 2 | 1917372 | 3 | NUT, Hex, 5/16-18 |
| 3 | 1917356 | 3 | LOCKWASHER, 5/16 |
| 4 | 1666709 | 1 | STOP, Belt |
| 5 | 1919326 | 5 | WASHER, 11/32 |
| 6 | 1921333 | 1 | CAPSCREW, Hex, 5/16-18 x 1 |
| 7 | 1666693 | 1 | PULLEY ASSY., Transmission |
| 8 | 1930540 | 2 | SETSCREW, 5/16-18 x 5/8 |
| 9 | 1928352 | 8 | LOCKNUT, Hex, Flange, 3/8-16 |
| 10 | 1920415 | 1 | CAPSCREW, Hex, 3/8-16 x 1-1/4 |
| 11 | 1916965 | 2 | LOCKWASHER, 3/8 |
| 12 | 1921210 | 7 | CAPSCREW, Hex 3/8-16 x 1 |
| 13 | 1666632 | 2 | SUPPORT, Transmission, Rear |
| 14 | 1921719 | 4 | CAPSCREW, Hex, 5/16-18 x 2-1/4 |
| 15 | 1930651 | 1 | LOCKNUT, Hex, 3/8-16 |
| 16 | 905123 | 1 | KEY, Woodruff, #9 |
| 17 | 8221042 | 2 | KEY, 3/16 x 3/16 x 1-1/2 |
| 18 | 1960114 | 2 | WASHER, 15 Ga. |
| 19 | 1667191 | 1 | SPACER |
| 20 | 1667192 | 1 | SPACER |
| 21 | * | 1 | TRANSAXLE, 5 Speed, Peerless |
| 22 | 1666631 | 1 | SUPPORT, Transmission, Front |
| 23 | 1920427 | 1 | LOCKWASHER, Ext. |
| 24 | 1919438 | 6 | LOCKNUT, 5/16-18 |
| 25 | 1930601 | 4 | SCREW, Taptite, 5/16-18 x 5/8 |
| 26 | 1666697 | 2 | SPACER |
| 27 | 1666641 | 1 | ROD, Shift |
| 28 | 8021050 | 1 | KNOB, Ball, Shift |
| 29 | 1922234 | 1 | CAPSCREW, Hex, 1/4-28 x 5/8 |
| 30 | 1916964 | 1 | LOCKWASHER, 1/4 |
| 31 | 1921319 | 1 | WASHER, Plain, 9/32 |
| 32 | 1666638 | 1 | LINK, Shift, Lower |
| 33 | 1666639 | 1 | SHIFT LINK ASSY., Upper |
| 34 | 1677545 | 2 | WHEEL & TIRE ASSY., 18 x 8.50-8 (Turf Saver tire) |
| 35 | 1655916 | 2 | TIRE (Carlisle) 18 x 8.50-8 (Turf Saver tire) |
| 36 | 172353 | 2 | VALVE STEM & CAP |
| 37 | 1677546 | 2 | WHEEL ASSY. |
| 38 | 927794 | 2 | E-RING |
| 39 | 1960160 | 2 | WASHER |
| 40 | 1673333 | 2 | CAP, Hub, Threaded |
| 41 | 158499 | 2 | BELT STOP |
| 42 | 1921977 | 4 | CAPSCREW, Hex, 5/16-18 x 1-1/4 |

* Order Peerless parts from your authorized Tecumseh Distributor. See pages 28 thru 31 for Service Parts.

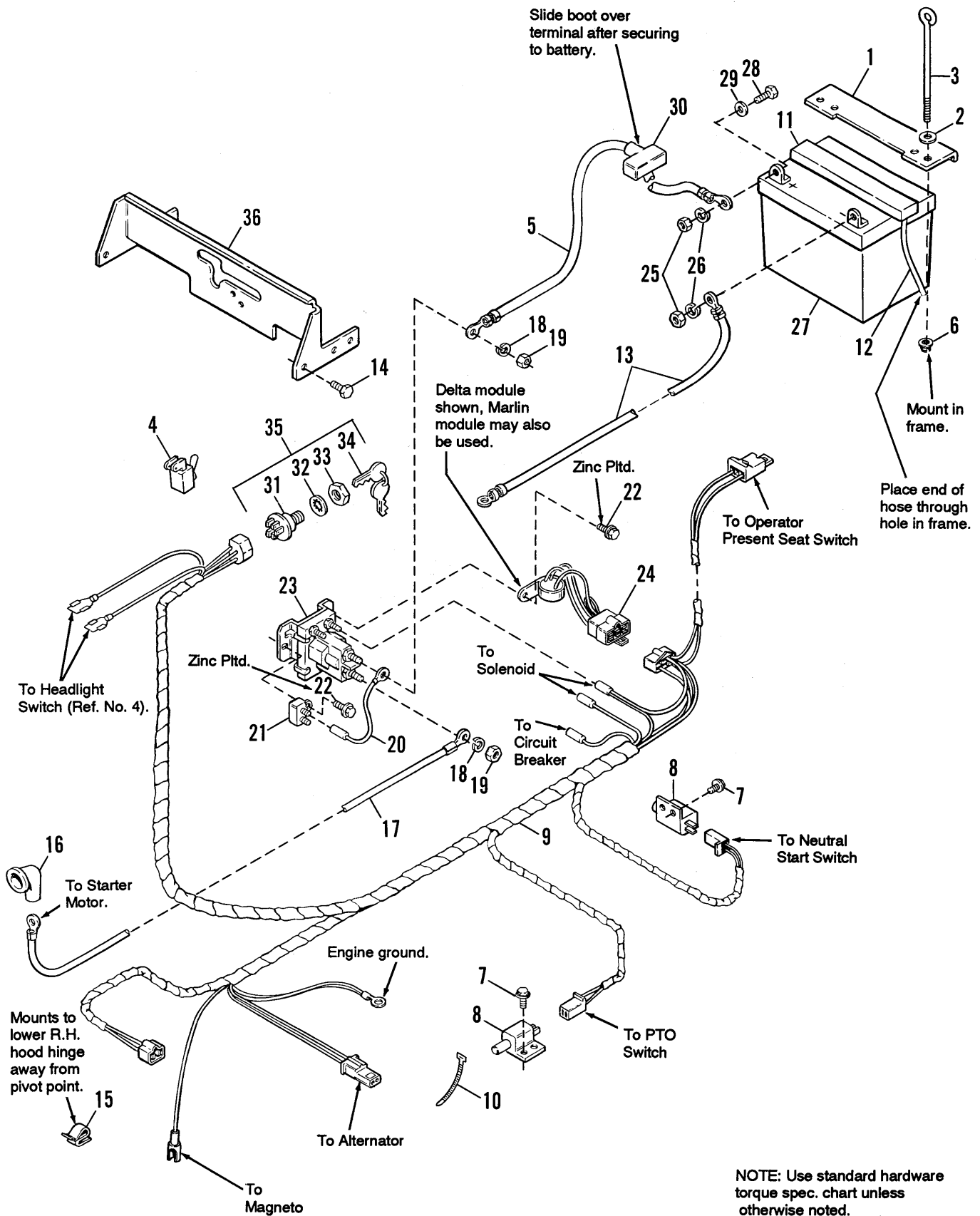


| Ref. No. | Part No. | Qty. | Description |
|----------|----------|------|---|
| 1 | 1708114 | 1 | "V" BELT |
| 2 | 1917372 | 3 | NUT, Hex, 5/16-18 |
| 3 | 1917356 | 3 | LOCKWASHER, 5/16 |
| 4 | 1666709 | 1 | STOP, Belt |
| 5 | 1919326 | 3 | WASHER, 11/32 |
| 6 | 1921333 | 1 | CAPSCREW, Hex, 5/16-18 x 1 |
| 7 | 1666693 | 1 | PULLEY ASSY., Transmission |
| 8 | 1930540 | 2 | SETSCREW, 5/16-18 x 5/8 |
| 9 | 1928352 | 8 | LOCKNUT, Hex, Flange, 3/8-16 |
| 10 | 1920415 | 1 | CAPSCREW, Hex, 3/8-16 x 1-1/4 |
| 11 | 1916965 | 5 | LOCKWASHER, 3/8 |
| 12 | 1921210 | 9 | CAPSCREW, Hex 3/8-16 x 1 |
| 13 | 1666632 | 2 | SUPPORT, Transmission, Rear |
| 14 | 1921719 | 4 | CAPSCREW, Hex, 5/16-18 x 2-1/4 |
| 15 | 1930651 | 1 | LOCKNUT, Hex, 3/8-16 |
| 16 | 905123 | 1 | KEY, Woodruff, #9 |
| 17 | 8221042 | 2 | KEY, 3/16 x 3/16 x 1-1/2 |
| 18 | 1960027 | 4 | WASHER, Rev. Pinion |
| 19 | 1921977 | 3 | CAPSCREW, Hex, 5/16-18 x 1-1/4 |
| 20 | 1663180 | 1 | SPACER |
| 21 | * | 1 | TRANSAXLE, 5 Speed, Peerless |
| 22 | 1666631 | 1 | SUPPORT, Transmission, Front |
| 23 | 1920427 | 1 | LOCKWASHER, Ext. |
| 24 | 1919438 | 4 | LOCKNUT, 5/16-18 |
| 25 | 1930601 | 2 | SCREW, Taptite, 5/16-18 x 5/8 |
| 26 | 1705590 | 1 | SPACER, Special |
| 27 | 1708408 | 1 | ROD, Shift |
| 28 | 8021050 | 1 | KNOB, Ball, Shift |
| 29 | 1922234 | 1 | CAPSCREW, Hex, 1/4-28 x 5/8 |
| 30 | 1916964 | 1 | LOCKWASHER, 1/4 |
| 31 | 1921319 | 1 | WASHER, Plain, 9/32 |
| 32 | 1666638 | 1 | LINK, Shift, Lower |
| 33 | 1708022 | 1 | SHIFT LINK ASSY., Upper |
| 34 | 1677545 | 2 | WHEEL & TIRE ASSY., 18 x 8.50-8 (Turf Saver tire) |
| 35 | 1655916 | 2 | TIRE (Carlisle) 18 x 8.50-8 (Turf Saver tire) |
| 36 | 172353 | 2 | VALVE STEM & CAP |
| 37 | 1677546 | 2 | WHEEL ASSY. |
| 38 | 927794 | 2 | E-RING |
| 39 | 1960160 | 4 | WASHER |
| 40 | 1673333 | 2 | CAP, Hub, Threaded |
| 41 | 158499 | 2 | BELT STOP |
| 42 | 1918196 | 1 | PIN, Quick |
| 43 | 1918447 | 1 | PIN, Cotter |
| 44 | 1935048 | 1 | NUT, Hex Flange Hd., 5/16-18 |
| 45 | 1705463 | 1 | BRACKET, Pulley |
| 46 | 1708029 | 1 | PULLEY, Idler, "V" |
| 47 | 1708221 | 1 | BELT STOP |
| 48 | 1676375 | 1 | SPACER |
| 49 | 1922755 | 3 | WASHER |
| 50 | 1921973 | 1 | CAPSCREW, 3/8-16 X 2-3/4 |
| 51 | 1916950 | 3 | NUT, Hex, 3/8-16 |
| 52 | 1924940 | 1 | WASHER, 13/32 |

* Order Peerless parts from your authorized Tecumseh Distributor. See pages 32 thru 35 for Service Parts.



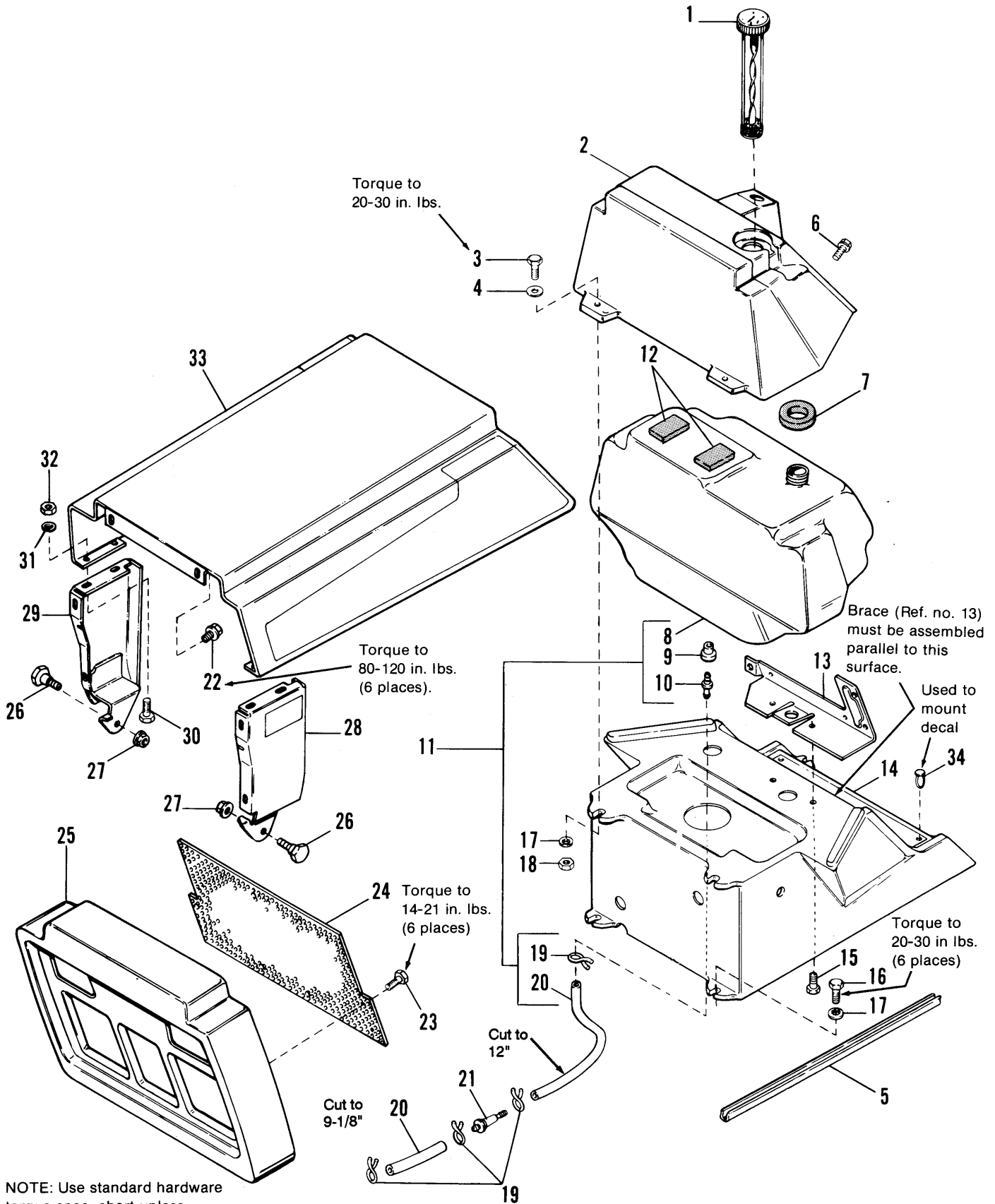
| Ref. No. | Part No. | Qty. | Description |
|----------|----------|------|--------------------------------------|
| 1 | 1918213 | 1 | NUT, Hex, 7/16-14 |
| 2 | 1918199 | 1 | LOCKWASHER, 7/16 |
| 3 | 157273 | 1 | STUD |
| 4 | 1918447 | 3 | PIN, Cotter (Qty. 2 used on 1692096) |
| 5 | 1919326 | 3 | WASHER, 11/32 |
| 6 | 1921969 | 1 | CAPSCREW, 3/8-16 x 1-1/2 |
| 7 | 1653076 | 1 | IDLER ASSY. |
| 8 | 1924940 | 1 | WASHER, Plain, 5/16 |
| 9 | 1666294 | 1 | SPACER |
| 10 | 1685150 | 1 | PULLEY ASSY. |
| 11 | 1677135 | 1 | GUARD, Spring |
| 12 | 1916965 | 1 | LOCKWASHER, 3/8 |
| 13 | 1916950 | 1 | NUT, Hex, 3/8-16 |
| 14 | 1924058 | 1 | LOCKNUT, Hex, 7/16-14 |
| 15 | 159106 | 1 | SPRING, Tension |
| 16 | 1666656 | 1 | ROD, Brake |
| 17 | 1663138 | 1 | GUIDE, Rod |
| 18 | 1923362 | 1 | LOCKNUT, Hex (Used on 1692055 only) |
| 19 | 1666759 | 1 | SPRING, Return |
| 20 | 1935048 | 1 | LOCKNUT, Hex, Flange, 5/16-18 |
| 21 | 1663136 | 1 | SPRING, (Used on 1692055 only) |
| | 1708226 | 1 | SPRING, (Used on 1692096 only) |
| 22 | 1919438 | 2 | LOCKNUT, 5/16-18 |
| 23 | 1657222 | 1 | GUIDE ASSY., Rod |
| 24 | 157041 | 1 | SPRING, Compression |
| 25 | 8191022 | 1 | COLLAR, Set |
| 26 | 1928804 | 1 | SETSCREW, 1/4-20 x 3/8 |
| 27 | 1702156 | 1 | ROD, Clutch |
| 28 | 1659907 | 1 | DAMPER, Rubber |
| 29 | 1656852 | 1 | PEDAL, Foot |
| 30 | 1656854 | 1 | PLATE, End |
| 31 | 1927429 | 2 | SCREW, Taptite, 1/4-20 x 5/8 |
| 32 | 1922755 | 1 | WASHER, Plain |
| 33 | 1708228 | 1 | SPACER, (Used on 1692096 only) |



| Ref. No. | Part No. | Qty. | Description |
|----------|------------|------|---|
| 1 | 1669831 | 1 | HOLD DOWN, Battery |
| 2 | 1921319 | 2 | WASHER, 9/32 |
| 3 | 1700472 | 2 | ROD, Battery Hold Down |
| 4 | 122184 | 1 | SWITCH, Headlight |
| 5 | 1603618 | 1 | CABLE, Ground |
| 6 | 1704349 | 2 | NUT, Retainer, 1/4-20 |
| 7 | 1929477 | 4 | SCREW, Taptite, #10-24 x 1/2 |
| 8 | 1701580 | 2 | SWITCH, PTO and Neutral |
| 9 | * 1707757 | 1 | HARNESS, Wiring (6-pin connector) |
| | ** 1685464 | 1 | HARNESS, Wiring (6-pin connector with adapter kit) |
| 10 | 932747 | 1 | TIE, Self-Locking |
| 11 | 1704581 | 1 | VENT CAP, Battery |
| 12 | 1704583 | 1 | HOSE, Drain |
| 13 | 1703484 | 1 | CABLE, Ground |
| 14 | 1927428 | 6 | SCREW, Taptite, 1/4-20 x 3/8 |
| 15 | 165073 | 1 | CLIP, Wire |
| 16 | 122023 | 1 | COVER, Terminal |
| 17 | 1701522 | 1 | CABLE |
| 18 | 1917356 | 2 | LOCKWASHER, 5/16 |
| 19 | 1920263 | 2 | NUT, Hex, 5/16-24 |
| 20 | 1665237 | 1 | WIRE ASSY. |
| 21 | 1665238 | 1 | CIRCUIT BREAKER |
| 22 | 927429 | 2 | SCREW, Taptite, 1/4-20 x 5/8, Zinc Pltd. |
| 23 | 1685290 | 1 | SOLENOID |
| 24 | * 1707755 | 1 | MODULE, DSI Interlock, Seat Switch (6-pin connector) |
| | ** 1685466 | 1 | MODULE, DSI Interlock, Seat Switch (6-pin connector with adapter kit) |
| 25 | 1916622 | 2 | NUT, Hex, 1/4-20 |
| 26 | 1916964 | 2 | LOCKWASHER, 1/4 |
| 27 | 1685215 | 1 | BATTERY, 39 Amp. |
| 28 | 1923341 | 2 | CAPSCREW, Hex Hd., 1/4-20 x 3/4 |
| 29 | 1921319 | 2 | WASHER, 1/4 I.D. |
| 30 | 1677296 | 1 | BOOT, Insulator |
| 31 | 1679006 | 1 | SWITCH |
| 32 | 918906 | 1 | LOCKWASHER, Internal, 5/8 |
| 33 | 122234 | 1 | ADAPTOR, Nut |
| 34 | 122203 | 1 | KEYS |
| 35 | 1674244 | 1 | SWITCH, Ignition (Incl. Ref. Nos. 31, 32, 33 & 34) |
| 36 | 1701555 | 1 | QUADRANT, Shift |

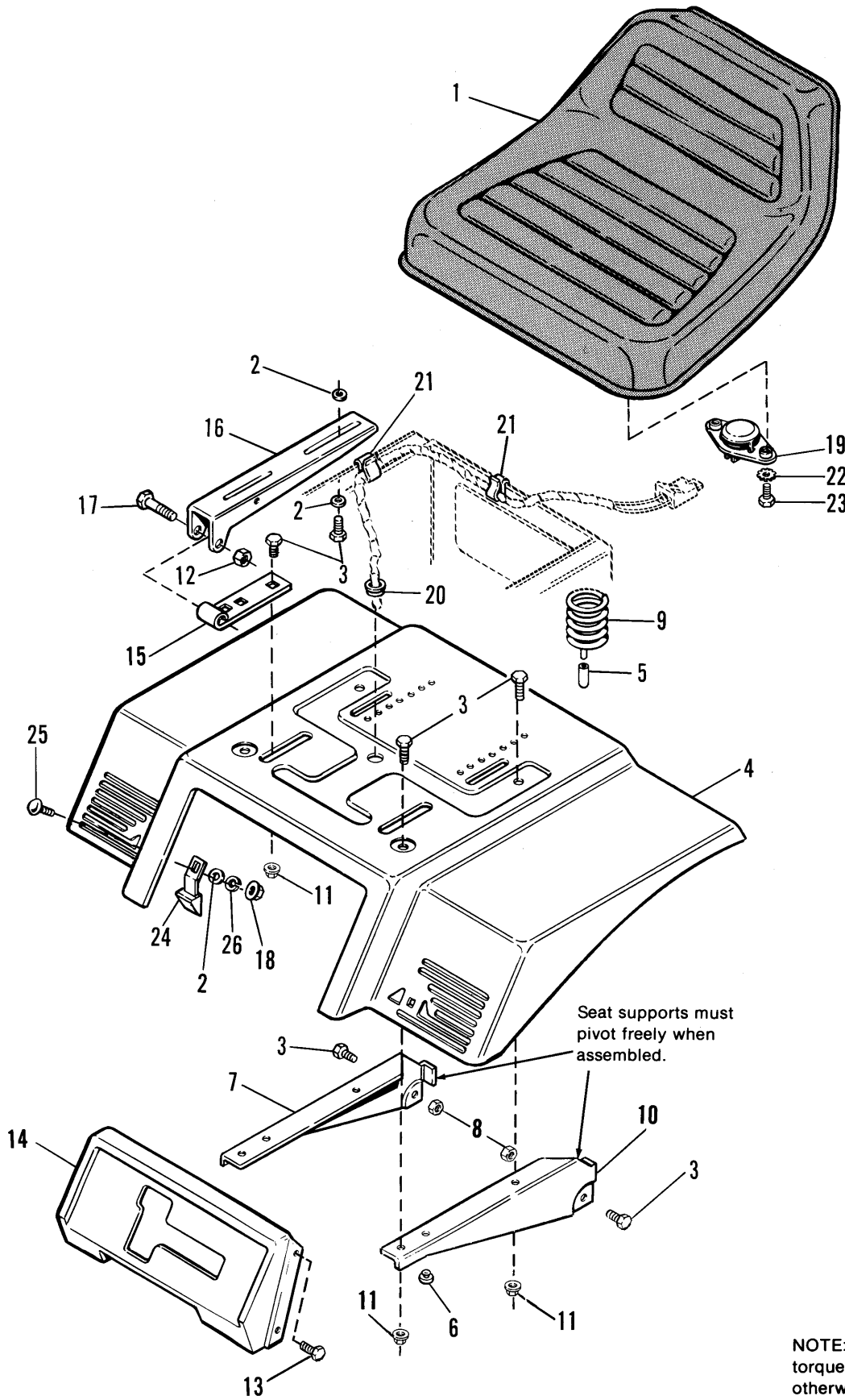
*Used on Mfg. No. 1602096 after Serial No. 1095.

**Used on all Mfg. No. 1692055 and Mfg. No. 1602096 before Serial No. 1096.



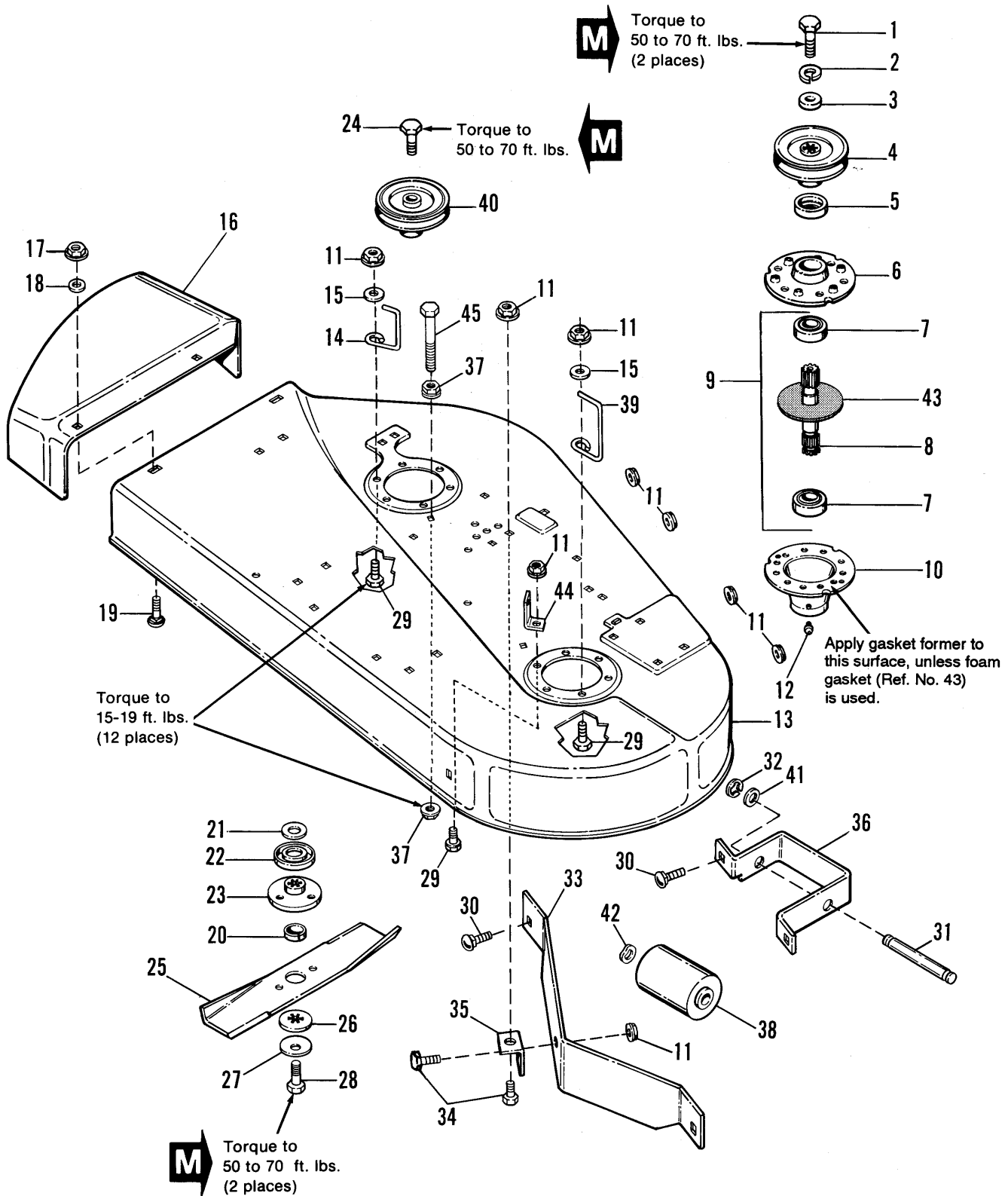
NOTE: Use standard hardware torque spec. chart unless otherwise noted.

| Ref. No. | Part No. | Qty. | Description |
|----------|----------|------|--|
| 1 | 171252 | 1 | CAP, w/Gas Gauge |
| 2 | 1672630 | 1 | DASHBOARD, Top |
| 3 | 1921961 | 2 | CAPSCREW, Hex, 1/4-20 x 1-1/4 |
| 4 | 1921319 | 2 | WASHER, 1/4 |
| 5 | 1672123 | 2 | EDGING, Lower Dash |
| 6 | 1676860 | 2 | SCREW, Hex Washer Hd., 1/4-14 x 5/8 |
| 7 | 1664897 | 1 | WASHER, Foam |
| 8 | | 1 | FUEL TANK (See Ref. No. 11) |
| 9 | 1654930 | 1 | BUSHING |
| 10 | 1666447 | 1 | FITTING |
| 11 | 1685297 | 1 | TANK ASSY., Fuel (Ref. No. 11 incl. Ref. Nos. 8, 9, 10, 19 Qty. 1 & 20) |
| 12 | 173335 | 2 | PAD |
| 13 | 1665301 | 1 | BRACE |
| 14 | 1707393 | 1 | DASHBOARD, Bottom |
| 15 | 925592 | 2 | SCREW, Taptite, 1/4-20 x 3/4 |
| 16 | 1929783 | 4 | SCREW, Taptite, 1/4-20 x 1 |
| 17 | 1931704 | 6 | LOCKWASHER, Dish, 1/4 |
| 18 | 1923358 | 2 | LOCKNUT, Hex, 1/4-20 |
| 19 | 1960112 | 4 | CLAMP, Hose |
| 20 | 1676861 | 1 | HOSE, Fuel, 45" long (Cut to length needed - See notes on page 28) |
| 21 | 173206 | 1 | FILTER, Fuel |
| 22 | 1960106 | 6 | SCREW, Plastite, 1/4 x 1 |
| 23 | 1960034 | 6 | SCREW, Plastite, #10-14 x 1/2 |
| 24 | 1656793 | 1 | SCREEN |
| 25 | 1685241 | 1 | GRILLE (Incl. Ref. No. 22) |
| 26 | 1656792 | 2 | BOLT, Shoulder, 5/16-18 x 7/8 |
| 27 | 1935048 | 2 | LOCKNUT, Flange, Whiz, 5/16-18 |
| 28 | 71656787 | 1 | PANEL ASSY., L.H. |
| 29 | 71656786 | 1 | PANEL ASSY., R.H. |
| 30 | 1921958 | 4 | CAPSCREW, Hex, 1/4-20 x 1/2 |
| 31 | 1916964 | 4 | LOCKWASHER, 1/4 |
| 32 | 1916622 | 4 | NUT, Hex, 1/4-20 |
| 33 | 71656774 | 1 | HOOD |
| 34 | 1667248 | 4 | CLIP, Canoe |



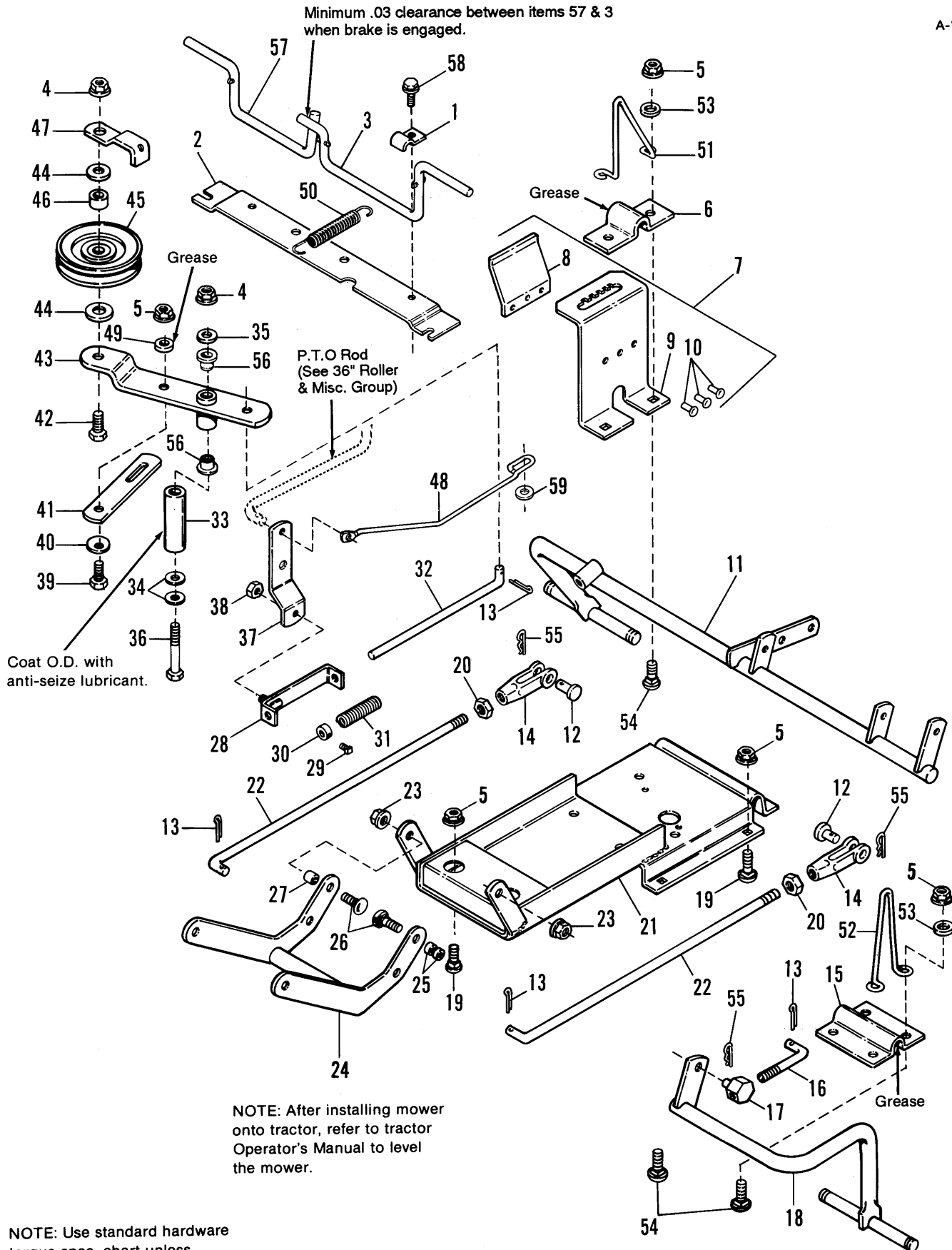
NOTE: Use standard hardware torque spec. chart unless otherwise noted.

| Ref. No. | Part No. | Qty. | Description |
|----------|----------|------|------------------------------------|
| 1 | 1700618 | 1 | SEAT |
| 2 | 1919326 | 6 | WASHER, Plain, 5/16 |
| 3 | 1921332 | 14 | CAPSCREW, Hex, 5/16-18 x 3/4 |
| 4 | 71702690 | 1 | DECK, Seat |
| 5 | 1666691 | 2 | COVER, Wire |
| 6 | 1701742 | 2 | BUMPER, Plug |
| 7 | 1701736 | 1 | SUPPORT, Seat, R.H. |
| 8 | 1919438 | 2 | LOCKNUT, Hex, 5/16-18 |
| 9 | 1666690 | 2 | SPRING, Seat |
| 10 | 1701737 | 1 | SUPPORT, Seat, L.H. |
| 11 | 1927557 | 8 | NUT, Hex, Flange Whizlock, 5/17-18 |
| 12 | 1930651 | 4 | LOCKNUT, Hex, 3/8-16 |
| 13 | 1928729 | 2 | SCREW, Hex, Taptite, 5/16-18 x 3/8 |
| 14 | 1668839 | 1 | PANEL, Shift |
| 15 | 1701560 | 2 | HINGE, Lower |
| 16 | 1701559 | 2 | HINGE, Upper |
| 17 | 1923701 | 2 | CAPSCREW, Hex, 3/8-16 x 2 |
| 18 | 1917372 | 2 | NUT, Hex, Full, 5/16-18 |
| 19 | 1703373 | 1 | SWITCH, Seat |
| 20 | 1701229 | 1 | BUSHING, Snap |
| 21 | 930222 | 2 | CLIP |
| 22 | 1921880 | 2 | LOCKWASHER, 1/4 Ext. Tooth |
| 23 | 1960357 | 2 | SCREW, Rd. Hd., 1/4-20 x 3/4 |
| 24 | 1701252 | 2 | SEAT LATCH ASSY. |
| 25 | 1931333 | 2 | BOLT, Carriage, 5/16-18 x 3/4 |
| 26 | 1917356 | 2 | LOCKWASHER, 5/16 |



NOTE: Use standard hardware torque spec. chart unless otherwise noted.

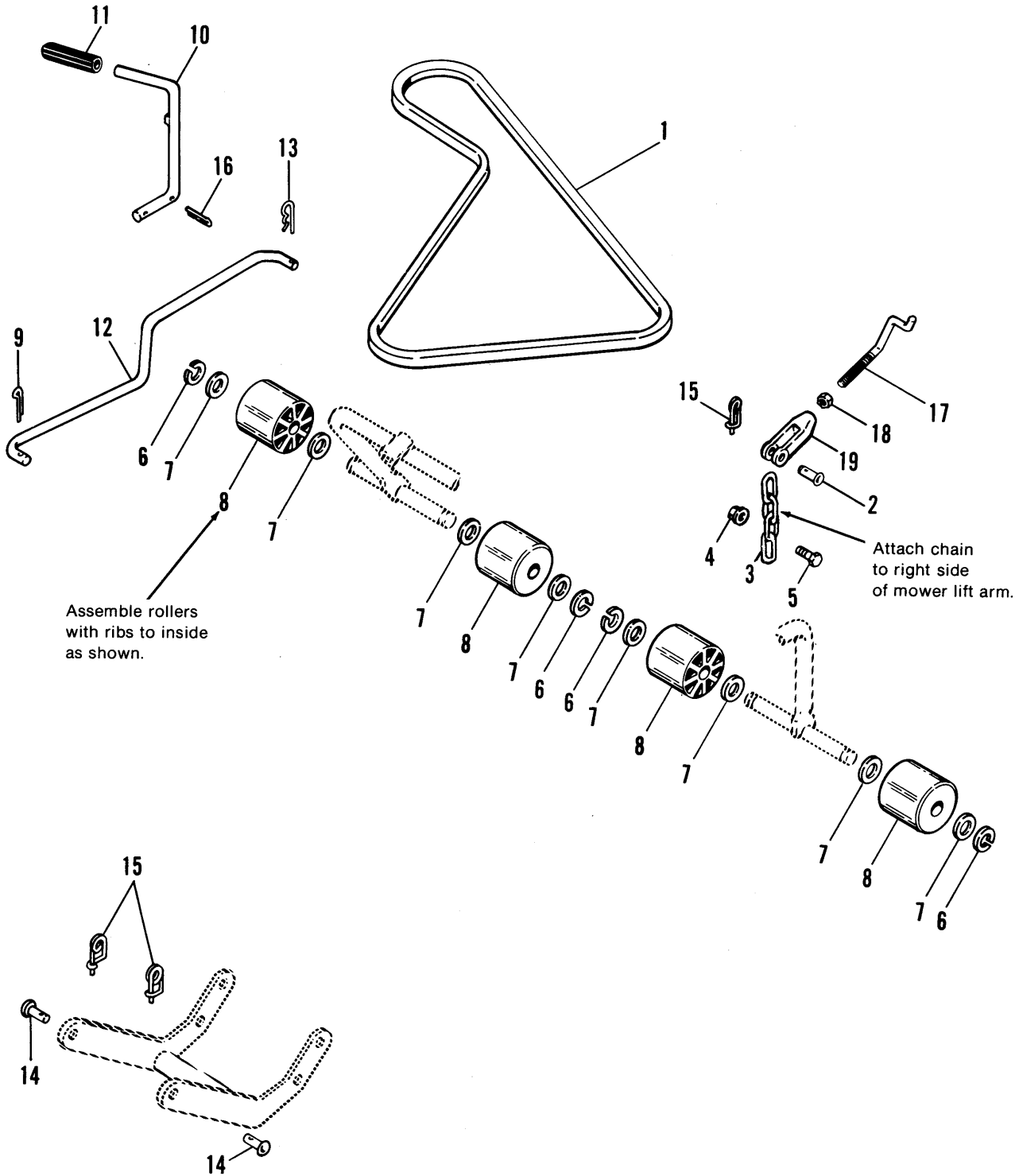
| Ref. No. | Part No. | Qty. | Description |
|----------|----------|------|--|
| 1 | 1930585 | 2 | CAPSCREW, Hex Hd., 7/16-14 x 3-1/2 |
| 2 | 1918199 | 2 | LOCKWASHER, 7/16 |
| 3 | 1933263 | 2 | WASHER, 29/64 x1-1/4 x 1/4 |
| 4 | 1673109 | 1 | PULLEY ASSY. |
| 5 | 1657969 | 2 | SHIELD, Bearing, Upper |
| 6 | 1655729 | 2 | ARBOR HOUSING, Top |
| 7 | 108202 | 4 | BEARING |
| 8 | 1685245 | 2 | SHAFT, Arbor (Incl. Ref. No. 20) |
| 9 | 1685251 | 2 | SHAFT & BEARING ASSY. (Incl. Ref. Nos. 7 (Qty. 2), 8, 20 & 43) |
| 10 | 1703273 | 2 | ARBOR HOUSING ASSY., Bottom (Incl. Ref. No. 12) |
| 11 | 1931277 | 9 | NUT, Hex, Flange Whizlock, 5/16-18 |
| 12 | 1704314 | 2 | GREASE FITTING |
| 13 | 71685102 | 1 | HOUSING, 36" (Incl. Safety Decals) |
| 14 | 1657660 | 1 | STOP, Belt |
| 15 | 1919326 | 2 | WASHER, 11/32 |
| 16 | 71702190 | 1 | DEFLECTOR |
| 17 | 1931211 | 2 | NUT, Hex, Flange Whizlock, 3/8-16 |
| 18 | 1924940 | 2 | WASHER, 13/32 |
| 19 | 1931348 | 2 | BOLT, Carriage, 3/8-16 x 3/4 |
| 20 | 1672132 | 2 | COLLAR, Arbor |
| 21 | 1700230 | 2 | WASHER, Shim |
| 22 | 1700229 | 2 | SHIELD, Grass |
| 23 | 1655777 | 2 | ADAPTOR, Blade |
| 24 | 1930584 | 1 | CAPSCREW, Hex Hd., 7/16-14 x 2-3/4 |
| 25 | 1657589 | 2 | BLADE, 36" |
| 26 | 1656927 | 2 | WASHER, Spline |
| 27 | 1656916 | 2 | WASHER, Cup |
| 28 | 1923491 | 2 | CAPSCREW, Hex Hd., 7/16-14 x 1 |
| 29 | 1960373 | 12 | SCREW, Hex, Wash. Hd., Taptite, 5/16-18 x 1 |
| 30 | 1931333 | 4 | BOLT, Carriage, 5/16-18 x 3/4 |
| 31 | 1603205 | 1 | SHAFT, Roller, Center |
| 32 | 927793 | 1 | E-RING |
| 33 | 1671577 | 1 | BAFFLE |
| 34 | 1921332 | 2 | CAPSCREW, Hex Hd., 5/16-18 x 3/4 |
| 35 | 1668500 | 1 | BRACKET, Mower |
| 36 | 1705953 | 1 | BRACKET, Center, Roller |
| 37 | 1927557 | 2 | NUT, Hex Flange Whizlock, 5/16-18 |
| 38 | 1668513 | 1 | ROLLER |
| 39 | 1673106 | 1 | STOP, Belt |
| 40 | 1655839 | 1 | PULLEY ASSY. |
| 41 | 960171 | 1 | WASHER, Nylon |
| 42 | 1678100 | 1 | WASHER, Wave |
| 43 | 1707335 | 2 | GASKET, Foam |
| 44 | 1678339 | 1 | BRACKET, Lift |
| 45 | 1925690 | 1 | CAPSCREW, Hex Hd., 5/16-18 x 3-1/2 |



| Ref. No. | Part No. | Qty. | Description |
|----------|------------|------|--|
| 1 | 1664004 | 4 | CLIP, Brake Rod |
| 2 | 1701532 | 1 | SUPPORT, Brake |
| 3 | 1701535 | 1 | ROD, Brake |
| 4 | 1930645 | 2 | NUT, Hex Flange, 3/8-16 |
| 5 | 1931277 | 14 | NUT, Hex, Flange Whizlock, 5/16-18 |
| 6 | 1654655 | 1 | STRAP |
| 7 | 1663223 | 1 | QUADRANT ASSY. (Includes Ref. Nos. 8, 9 & 10) |
| 8 | 1663222 | 1 | SPRING, Flat |
| 9 | | 1 | QUADRANT (See Ref. No. 7) |
| 10 | 910542 | 3 | RIVET, Tubular, 3/16 x 5/16 |
| 11 | 1668099 | 1 | SUPPORT ASSY., Roller, R.H. |
| 12 | 1923087 | 2 | PIN, Clevis |
| 13 | 1918447 | 4 | PIN, Cotter, 3/32 x 3/4 |
| 14 | 108157 | 2 | CLEVIS, Adjusting |
| 15 | 1653768 | 1 | CLAMP, Adjusting, Wheel Support |
| 16 | 1655811 | 1 | ROD, Bolt |
| 17 | 108512 | 1 | PIVOT |
| 18 | 1668098 | 1 | SUPPORT ASSY., Roller, L.H. |
| 19 | 1931333 | 8 | BOLT, Carriage, 5/16-18 x 3/4 |
| 20 | 1916950 | 4 | NUT, Hex, Full, 3/8-16 |
| 21 | 1702341 | 1 | SUPPORT ASSY., Mower |
| 22 | 1702502 | 2 | ROD, Height Adjustment |
| 23 | 1930645 | 2 | LOCKNUT, Hex, Flange, 3/8-16 |
| 24 | 1674011 | 1 | ARM ASSY., Rocker |
| 25 | 108717 | 1 | SPACER |
| 26 | 1923220 | 2 | CARRIAGE BOLT, 3/8-16 x 1-1/4 |
| 27 | 154177 | 1 | SPACER |
| 28 | 108662 | 1 | GUIDE ASSY., Rod |
| 29 | 1928804 | 1 | SETSCREW, 1/4-20 x 3/8 |
| 30 | 8191022 | 1 | COLLAR, Set |
| 31 | 163103 | 1 | SPRING |
| 32 | 171320 | 1 | ROD, Clutch |
| 33 | 1657242 | 1 | SPACER |
| 34 | 924356 | 2 | WASHER |
| 35 | 1924940 | 1 | WASHER, Plain, 13/32 |
| 36 | 1928957 | 1 | CAPSCREW, Hex Hd., 3/8-16 x 2-3/4 |
| 37 | 1656991 | 1 | ARM, Pivot |
| 38 | 1923362 | 1 | LOCKNUT, Hex, 5/16-18 |
| 39 | * 1921333 | 1 | CAPSCREW, Hex Hd., 5/16-18 x 1 |
| 40 | * 177649 | 1 | WASHER, Compression |
| 41 | * 1701563 | 1 | LEVER, Brake |
| 42 | 1921971 | 1 | CAPSCREW, Hex Hd., 3/8-16 x 1-3/4 |
| 43 | 1677750 | 1 | LEVER ASSY., Clutch (Incl. Ref. No. 56 Qty. 2) |
| 44 | 1922755 | 2 | WASHER, Plain |
| 45 | 1685150 | 1 | PULLEY ASSY. |
| 46 | 1666294 | 1 | SPACER |
| 47 | 1677135 | 1 | GUARD, Spring |
| 48 | ** 1707563 | 1 | ROD, Brake |
| 49 | * 1655085 | 1 | SPACER |
| 50 | 159159 | 2 | SPRING |
| 51 | 1669232 | 1 | UP-STOP, R.H. |
| 52 | 1669233 | 1 | UP-STOP, L.H. |
| 53 | 1919326 | 4 | WASHER, Plain |
| 54 | 1920564 | 6 | BOLT, Carriage, 5/16-18 x 1-1/4 |
| 55 | 1960074 | 3 | CLIP, Hair Pin |
| 56 | 1663114 | 2 | BUSHING, Universal |
| 57 | 1701536 | 1 | ROD, Brake |
| 58 | 1924856 | 4 | SCREW, Hex Hd., Taptite, 5/16-18 x 1/2 |
| 59 | ** 1924940 | 1 | WASHER, 13/32 |

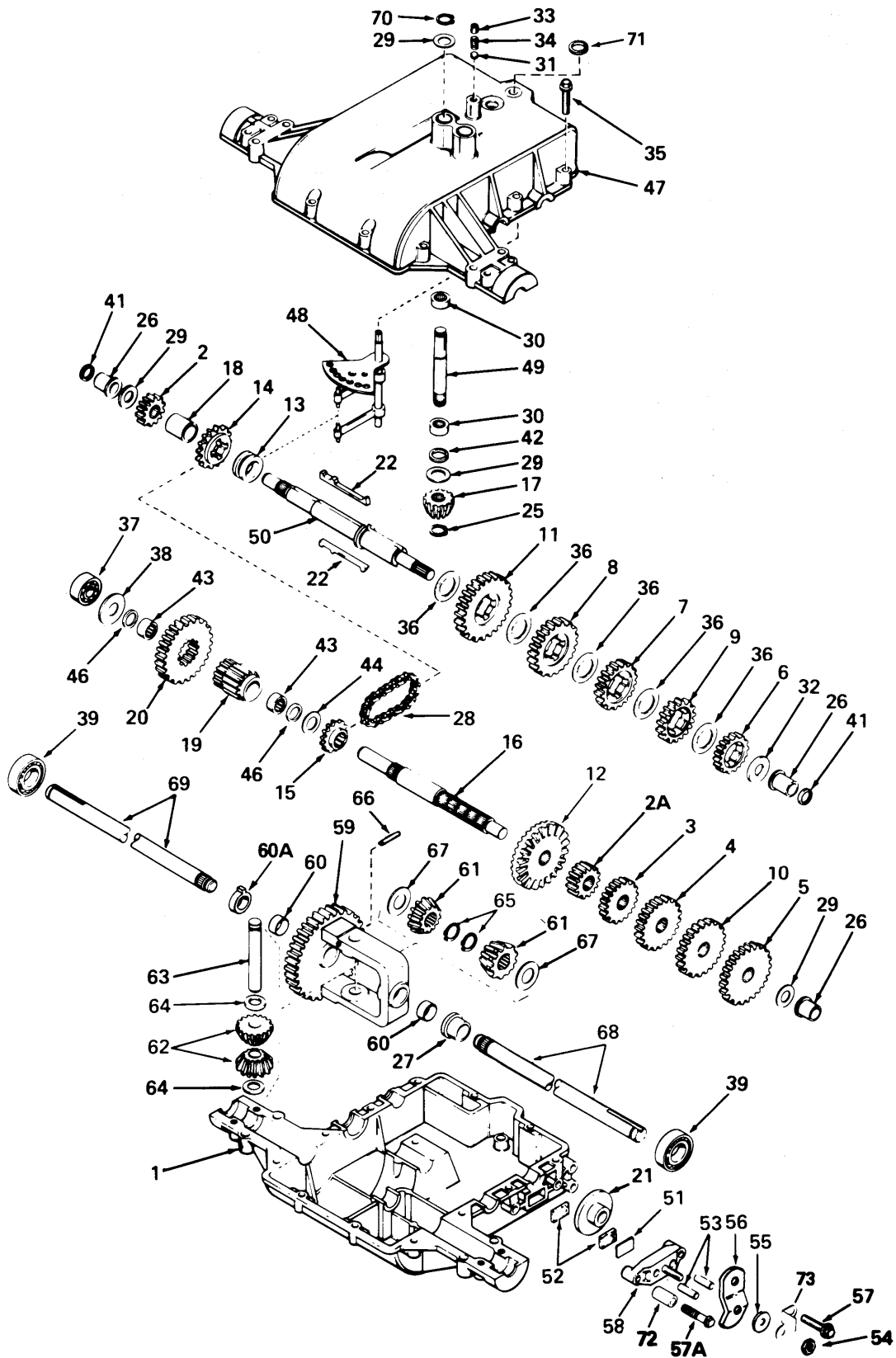
*Early Model Blade Brake system.

**Later Model Blade Brake system.



NOTE: Use standard hardware torque spec. chart unless otherwise noted.

| Ref. No. | Part No. | Qty. | Description |
|-------------|-------------|------|--------------------------------|
| 1 | 108505 | 1 | V-BELT, Mower Drive |
| 2 | 1673574 | 1 | PIN, Rivet |
| 3 | 1669241 | 1 | CHAIN, Lift 4 Links |
| 4 | 1935048 | 1 | LOCKNUT, Hex, Flange, 5/16-18 |
| 5 | 1921333 | 1 | CAPSCREW, Hex Hd., 5/16-18 x 1 |
| 6 | 153124 | 4 | RING, Retaining |
| 7 | 1960020 | 8 | WASHER, Plain, 5/8 |
| 8 | 1668487 | 4 | ROLLER |
| 9 | 1918448 | 1 | PIN, Cotter, 3/32 x 1 |
| 10 | 1656412 | 1 | LEVER, Control |
| 11 | 176933 | 1 | GRIP, Handle |
| 12 | 1668744 | 1 | ROD, P.T.O. |
| 13 | 1960074 | 1 | CLIP, Hairpin |
| 14 | 156306 | 2 | PIN |
| 15 | 176012 | 3 | CLIP, Pin, Safety |
| 16 | 1918452 | 2 | PIN, Cotter, 1/8 x 1 |
| 17 | 1685243 | 1 | ROD, Lift |
| 18 | 1920161 | 1 | NUT, Jam, 5/16-18 |
| 19 | 1673575 | 1 | CLEVIS |

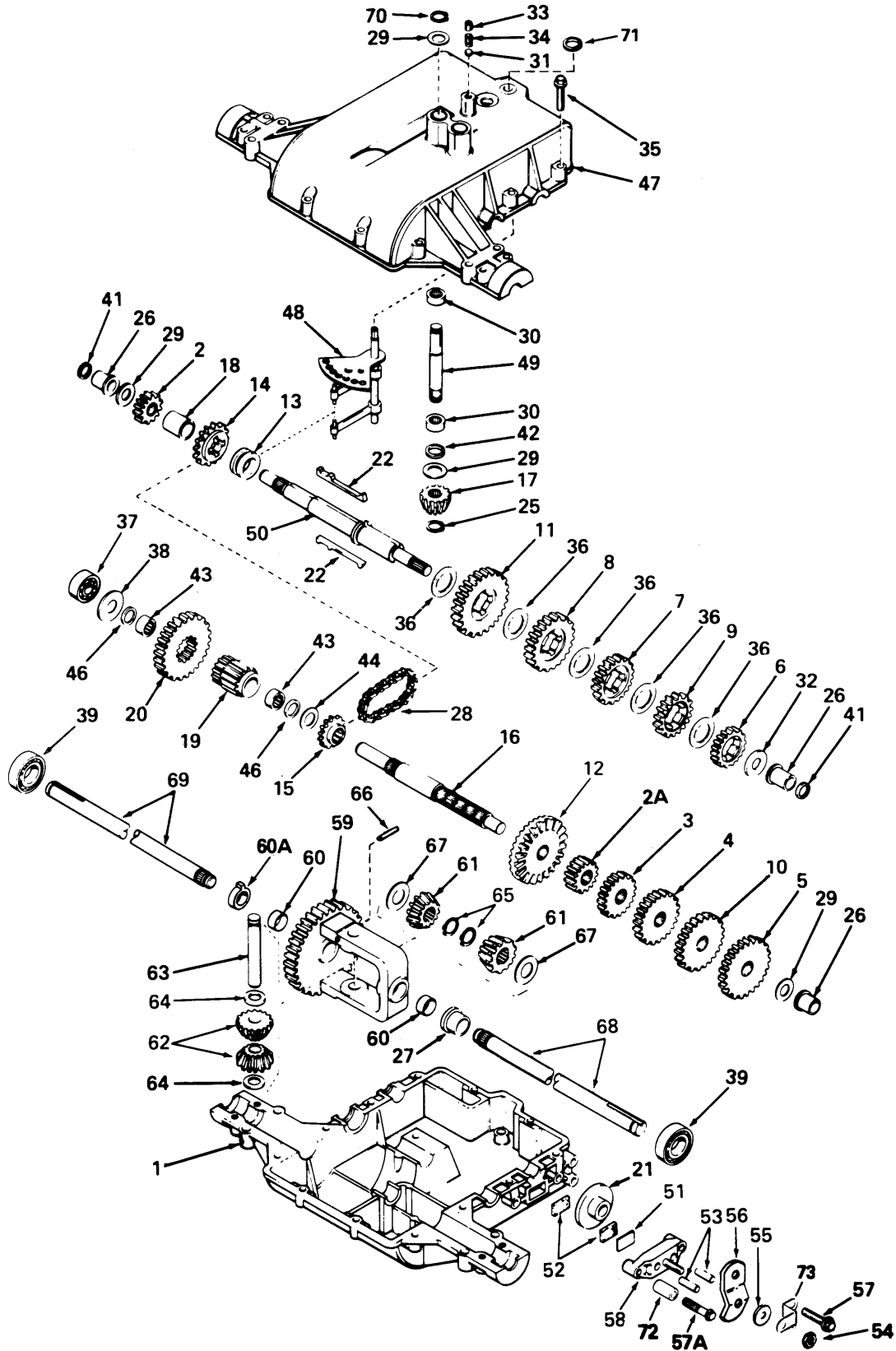


| Ref. No. | Part No. | Qty. | Description |
|----------|----------|------|--|
| 1 | 770071A | 1 | CASE, Transaxle |
| 2 | 778136 | 1 | GEAR, Spur (15 teeth) |
| 2A | 778145 | 1 | GEAR, Spur (12 teeth) |
| 3 | 778126A | 1 | GEAR, Spur (20 teeth) |
| 4 | 778127A | 1 | GEAR, Spur (25 teeth) |
| 5 | 778129A | 1 | GEAR, Spur (30 teeth) |
| 6 | 778121A | 1 | GEAR, Spur (20 teeth) |
| 7 | 778123A | 1 | GEAR, Spur (25 teeth) |
| 8 | 778124A | 1 | GEAR, Spur (30 teeth) |
| 9 | 778122A | 1 | GEAR, Spur (22 teeth) |
| 10 | 778128A | 1 | GEAR, Spur (28 teeth) |
| 11 | 778146A | 1 | GEAR, Spur (37 teeth) |
| 12 | 778137A | 1 | GEAR, Spur (42 teeth) |
| 13 | 784266 | 1 | COLLAR, Shift |
| 14 | 786060 | 1 | SPROCKET (14 teeth) |
| 15 | 786061 | 1 | SPROCKET (10 teeth) |
| 16 | 776204 | 1 | SHAFT, Counter |
| 17 | 778113A | 1 | BEVEL PINION, Input |
| 18 | 786074 | 1 | SPACER |
| 19 | 778138 | 1 | PINION, Output |
| 20 | 778139 | 1 | GEAR, Output |
| 21 | 790003 | 1 | DISK, Brake |
| 22 | 792089A | 2 | Key |
| 25 | 788040 | 1 | RING, Retaining |
| 26 | 780105A | 3 | BUSHING, Flanged |
| 27 | 780118A | 1 | BUSHING, Flanged |
| 28 | 786062A | 1 | CHAIN, Roller (No. 41 chain, 22 links) |
| 29 | 780072 | 4 | WASHER, Thrust |
| 30 | 780122 | 2 | BEARING, Needle |
| 31 | 792077 | 1 | BALL, Steel |
| 32 | 780109 | 1 | WASHER, Thrust |
| 33 | 792078 | 1 | SCREW, Set, 3/8-16 x 3/8 |
| 34 | 792079 | 1 | SPRING |
| 35 | 792073 | 17 | SCREW, Hex Hd., Thread Forming, 1/4-20 x 1-1/4 |
| 36 | 780108 | 5 | WASHER, Thrust |
| 37 | 780121 | 1 | BEARING, Ball |
| 38 | 780113 | 1 | WASHER, Flat |
| 39 | 780119 | 2 | BEARING, Ball |

NOTE: Refer to I.D. Plate on transaxle to determine model.

Ref. Nos. 41 - 73 are found on following page.

NOTE: See an authorized Tecumseh dealer for parts and service.

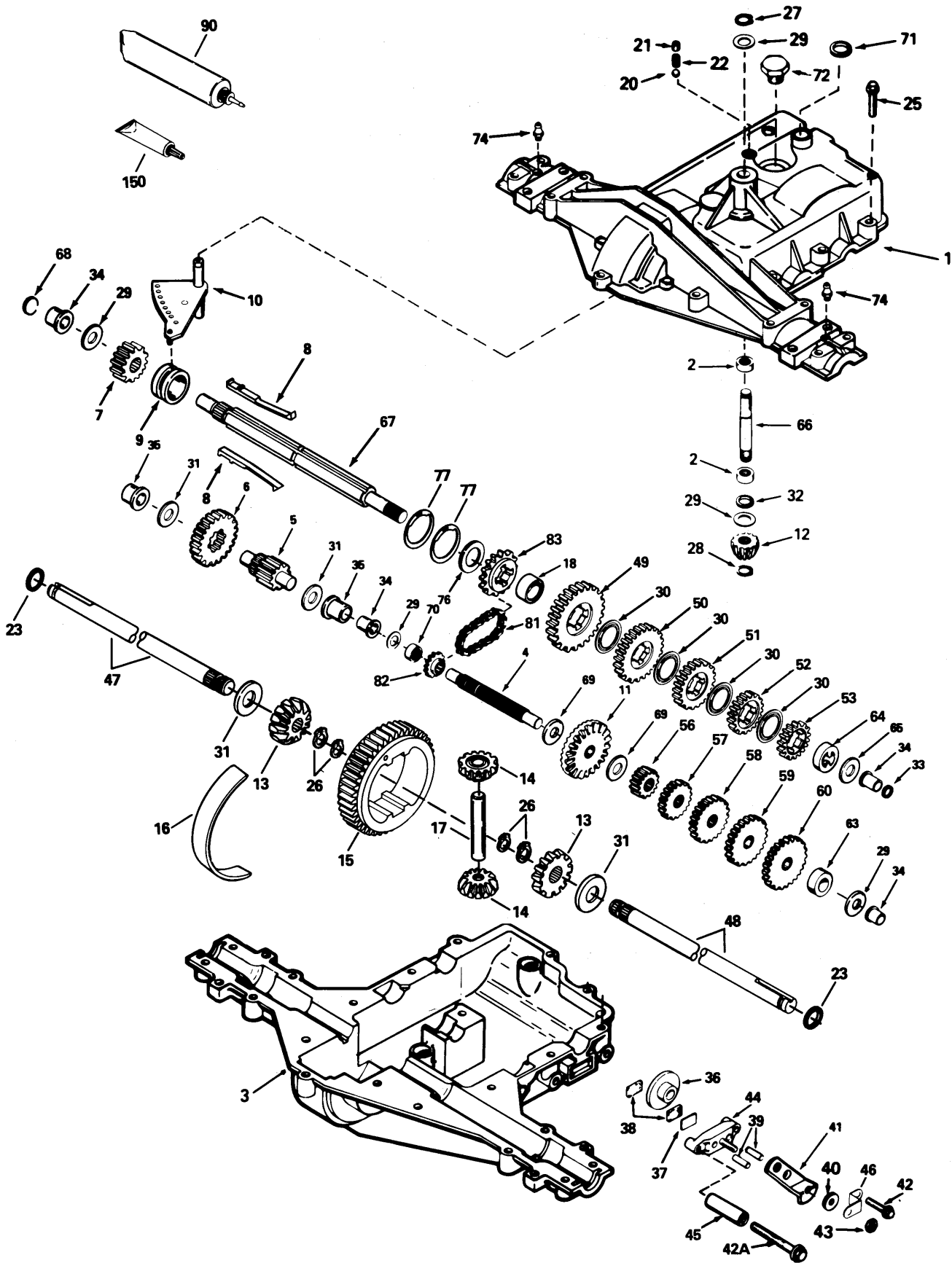


| Ref. No. | Part No. | Qty. | Description |
|----------|----------|------|--|
| 41 | 788051 | 2 | SEAL, Square Cut |
| 42 | 788057 | 1 | SEAL, Square Cut |
| 43 | 780112 | 2 | BEARING, Needle |
| 44 | 780114 | 1 | WASHER, Flat |
| 46 | 788053 | 2 | SEAT, Square Cut |
| 47 | 772082 | 1 | COVER, Transaxle |
| 48 | 784290 | 1 | ROD & FORK ASSY., Shift |
| 49 | 776135 | 1 | SHAFT, Input |
| 50 | 776184A | 1 | SHAFT, Brake |
| 51 | 790007 | 1 | PLATE, Brake Pad |
| 52 | 790006 | 2 | PAD, Brake |
| 53 | 786026 | 2 | PIN, Dowel |
| 54 | 792075 | 1 | LOCKNUT, 5/16-24 |
| 55 | 792076 | 1 | WASHER, Flat |
| 56 | 790019 | 1 | LEVER, Brake |
| 57 | 792073 | 1 | SCREW, Hex Hd. Thd. Form., 1/4-20 x 1-1/4 |
| 57A | 792085 | 1 | SCREW, Hex Hd., Thd. Form., 1/4-20 x 2-1/4 |
| 58 | 790025 | 1 | HOLDER, Brake Pad |
| 59 | 778053A | 1 | GEAR ASSY., Differential (Incl. 2 of No. 60) |
| 60 | 780064 | 2 | BUSHING |
| 60A | 780120 | 1 | BUSHING |
| 61 | 778166 | 2 | GEAR, Bevel |
| 62 | 778131 | 2 | PINION, Bevel |
| 63 | 786034 | 1 | PIN, Drive |
| 64 | 780065 | 2 | WASHER, Thrust |
| 65 | 792018 | 2 | RING, Retaining |
| 66 | 792040 | 1 | PIN, Roll |
| 67 | 780001 | 2 | WASHER, Thrust |
| 68 | 774645 | 1 | AXLE (15-1/2" long) |
| 69 | 774644 | 1 | AXLE (12-1/2" long) |
| 70 | 792035 | 1 | RING, Retaining |
| 71 | 788069 | 1 | SEAL, Square Cut |
| 72 | 786066 | 1 | SPACER |
| 73 | 786086 | 1 | BRACKET |

NOTE: Refer to I.D. Plate on transaxle to determine model.

Reference Nos. 1-39 are found on the preceding page.

NOTE: See an authorized Tecumseh dealer for parts and service.

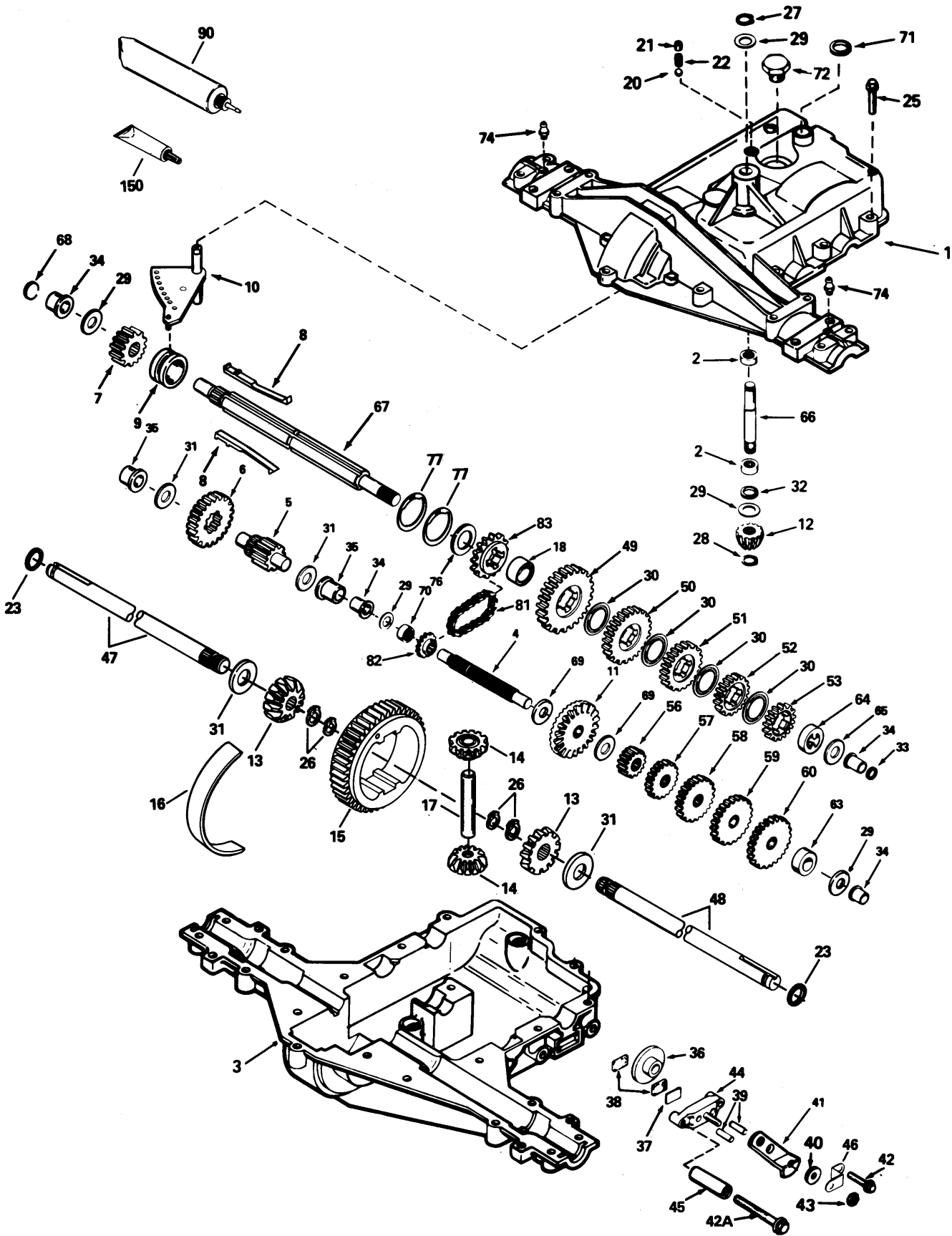


| Ref. No. | Part No. | Qty. | Description |
|----------|----------|------|--|
| 1 | 772107A | 1 | COVER, Transaxle |
| 2 | 780086 | 2 | BEARING, Needle |
| 3 | 770102A | 1 | CASE, Transaxle |
| 4 | 776260 | 1 | SHAFT, Counter |
| 5 | 776219 | 1 | SHAFT & PINION ASSY., Output |
| 6 | 778139 | 1 | GEAR, Output |
| 7 | 778136 | 1 | GEAR, Spur (15 teeth) |
| 8 | 792136 | 4 | KEY, Shifter |
| 9 | 784352 | 1 | COLLAR, Shifter |
| 10 | 784354 | 1 | ROD & FORK ASSY., Shift |
| 11 | 778229 | 1 | GEAR, Bevel (42 teeth) |
| 12 | 778113A | 1 | BEVEL PINION, Input |
| 13 | 778221 | 2 | GEAR, Bevel |
| 14 | 778068 | 2 | GEAR, Bevel Pinion |
| 15 | 778260 | 1 | GEAR, Ring |
| 16 | 786150 | 1 | STRIP, Bearing |
| 17 | 786139 | 1 | PIN, Drive |
| 18 | 786102 | 1 | SPACER |
| 20 | 792077 | 1 | BALL, Steel (5/16" dia.) |
| 21 | 792078 | 1 | SCREW, Set, 3/8-16 x 3/8 |
| 22 | 792079 | 1 | SPRING |
| 23 | 788061 | 2 | RING, Seal |
| 25 | 792073 | 17 | SCREW, Flanged Hex Hd., Threadforming, 1/4-20 x 1-1/4 |
| 26 | 792125 | 4 | RING, Retainer (Pkg. of 2) |
| 27 | 792035 | 1 | RING, Retainer |
| 28 | 788040 | 1 | RING, Retainer |
| 29 | 780072 | 5 | WASHER, Thrust |
| 30 | 780108 | 4 | WASHER, Thrust |
| 31 | 780001 | 4 | WASHER |
| 32 | 792001 | 1 | "O" RING |
| 33 | 788051 | 1 | SEAL, Square Cut |
| 34 | 780105A | 4 | BUSHING, Flanged |
| 35 | 780118A | 2 | BUSHING, Flanged |
| 36 | 790003 | 1 | DISK, Brake |
| 37 | 790007 | 1 | PLATE, Brake Pad |
| 38 | 790006 | 2 | PAD, Brake |
| 39 | 786026 | 2 | PIN, Dowel |
| 40 | 792076 | 1 | WASHER, Flat |
| 41 | 790019 | 1 | LEVER, Brake |
| 42 | 792073 | 1 | SCREW, Flanged Hex Hd., Threadforming, 1/4-20 x 1-1/4 |
| 42A | 792085 | 1 | SCREW, Flanged Hex Hd., Threadforming, 1/4-20 x 1-1/4 |

NOTE: Refer to I.D. Plate on transaxle to determine model.

Ref. Nos. 43-150 are found on following page.

NOTE: See an authorized Tecumseh dealer for parts and service.

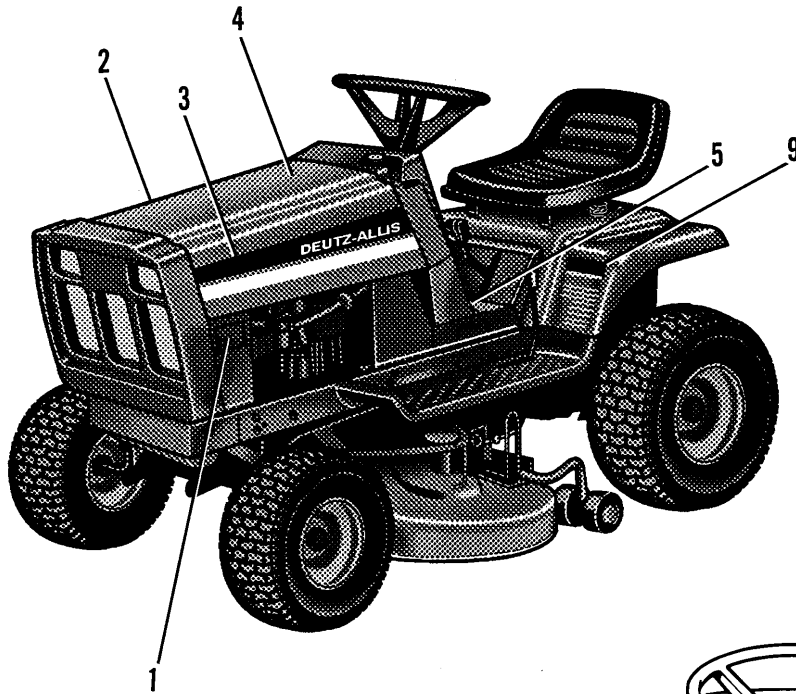


| Ref. No. | Part No. | Qty. | Description |
|----------|----------|------|---|
| 43 | 792075 | 1 | NUT, Lock, 5/16-24 |
| 44 | 790025 | 1 | HOLDER, Brake Pad |
| 45 | 786066 | 1 | SPACER |
| 46 | 786086 | 1 | BRACKET, Brake Lever |
| 47 | 774927 | 1 | AXLE (11-5/32" Long) |
| 48 | 774733A | 1 | AXLE (16-27/32" Long) |
| 49 | 778191 | 1 | GEAR, Spur (37 teeth) |
| 50 | 778124A | 1 | GEAR, Spur (30 teeth) |
| 51 | 778123A | 1 | GEAR, Spur (25 teeth) |
| 52 | 778122A | 1 | GEAR, Spur (22 teeth) |
| 53 | 778209 | 1 | GEAR, Spur (19 teeth) |
| 56 | 778230 | 1 | GEAR, Spur (12 teeth) |
| 57 | 778126A | 1 | GEAR, Spur (20 teeth) |
| 58 | 778127A | 1 | GEAR, Spur (25 teeth) |
| 59 | 778128A | 1 | GEAR, Spur (28 teeth) |
| 60 | 778163 | 1 | GEAR, Spur (31 teeth) |
| 63 | 786071 | 1 | SPACER |
| 64 | 786072 | 1 | SPACER |
| 65 | 780109 | 1 | WASHER, Thrust |
| 66 | 776135 | 1 | SHAFT, Input |
| 67 | 776315A | 1 | SHAFT, Brake (4-Keyed) |
| 68 | 786116 | 1 | DISK |
| 69 | 780051 | 2 | WASHER, Thrust |
| 70 | 786118 | 1 | SPACER |
| 71 | 788069 | 1 | SEAL, Square Cut |
| 72 | 792074 | 1 | PLUG, Hex Hd., 9/16-18 Thread |
| 74 | 792137 | 2 | FITTING, Lubrication |
| 76 | 780090 | 1 | WASHER, Thrust |
| 77 | 788078A | 2 | RING, Retaining (Pkg. of 2) |
| 81 | 786062A | 1 | CHAIN, Roller (No. 41 chain, 22 Links) |
| 82 | 786061 | 1 | SPROCKET (10 teeth) |
| 83 | 786124 | 1 | SPROCKET (14 teeth) |
| 90 | 788067B | 1 | GREASE (32 oz. Bottle Bentonite grease) |
| 150 | 510334 | 1 | ADHESIVE (Loctite #515) |

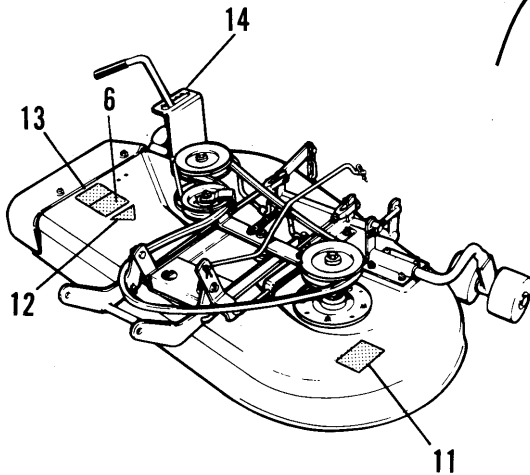
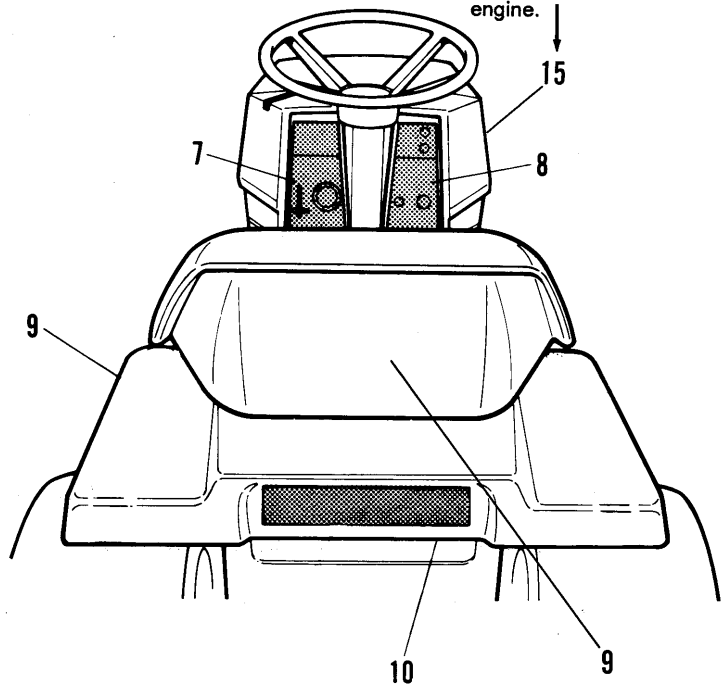
NOTE: Refer to I.D. Plate on transaxle to determine model.

Reference Nos. 1-42A are found on the preceding page.

NOTE: See an authorized Tecumseh dealer for parts and service.






Located on top of engine. Read from spark plug side of engine.



| Ref. No. | Part No. | Qty. | Description |
|----------|----------|------|--|
| 1 | 1707724 | 2 | DECAL, 512, 5 Speed |
| 2 | 1677348 | 1 | DECAL, Hood, R.H. |
| 3 | 1677347 | 1 | DECAL, Hood, L.H. |
| 4 | 1707994 | 1 | DECAL, Drive Belt (Used on 1692055) |
| | 1708232 | 1 | DECAL, Drive Belt (Used on 1692096) |
| 5 | 1702561 | 1 | DECAL, Shift Pattern (Used on 1692055) |
| | 1708276 | 1 | DECAL, Shift Pattern (Used on 1692096) |
| 6 | 1704910 | 1 | DECAL, Cutting Width, 36" |
| 7 | 1673431 | 1 | DECAL, Dash L.H. Side |
| 8 | 1677229 | 1 | DECAL, Dash, R.H. Side |
| 9 | 1677235 | 1 | DECAL, Seat |
| 10 | | 1 | DECAL, Battery (Not Serviced) |
| 11 | 1704276 | 1 | DECAL, Danger |
| 12 | | 1 | DECAL, OPEI (Not Serviced) |
| 13 | 1704277 | 1 | DECAL, Danger, Deflector in Place |
| 14 | 1656855 | 1 | DECAL, Mower Height |
| 15 | 1707651 | 1 | DECAL, B & S 12 HP I/C |

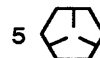
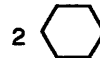
**TORQUE SPECIFICATIONS FOR
STANDARD MACHINE HARDWARE
TOLERANCE $\pm 20\%$**

| SIZE | SAE GRADE #2  | | SAE GRADE #5  | | SAE GRADE #8  | |
|---------|---|-------|---|-------|---|--------|
| | <u>In./Lbs.</u> Ft./Lbs. | Nm. | <u>In./Lbs.</u> Ft./Lbs. | Nm. | <u>In./Lbs.</u> Ft./Lbs. | Nm. |
| 8-32 | 19 | 2.1 | 30 | 3.4 | 41 | 4.6 |
| 8-36 | 20 | 2.3 | 31 | 3.5 | 43 | 4.9 |
| 10-24 | 27 | 3.1 | 43 | 4.9 | 60 | 6.8 |
| 10-32 | 31 | 3.5 | 49 | 5.5 | 68 | 7.7 |
| 1/4-20 | 66 | 7.6 | 8 | 10.9 | 12 | 16.3 |
| 1/4-28 | 76 | 8.6 | 10 | 13.6 | 14 | 19. |
| 5/16-18 | 11 | 15. | 17 | 23.1 | 25 | 34. |
| 5/16-24 | 12 | 16.3 | 19 | 25.8 | 25 | 34. |
| 3/8-16 | 20 | 27.2 | 30 | 40.8 | 45 | 61.2 |
| 3/8-24 | 23 | 31.3 | 35 | 47.6 | 50 | 68. |
| 7/16-14 | 30 | 40.8 | 50 | 68. | 70 | 95.2 |
| 7/16-20 | 35 | 47.6 | 55 | 74.8 | 80 | 108.8 |
| 1/2-13 | 50 | 68. | 75 | 102. | 110 | 149.6 |
| 1/2-20 | 55 | 74.8 | 90 | 122.4 | 120 | 163.2 |
| 9/16-12 | 65 | 88.4 | 110 | 149.6 | 150 | 204. |
| 9/16-18 | 75 | 102. | 120 | 163.2 | 170 | 231.2 |
| 5/8-11 | 90 | 122.4 | 150 | 204. | 220 | 299.2 |
| 5/8-18 | 100 | 136. | 180 | 244.8 | 240 | 326.4 |
| 3/4-10 | 160 | 217.6 | 260 | 353.6 | 386 | 525. |
| 3/4-16 | 180 | 244.8 | 300 | 408. | 420 | 571.2 |
| 7/8-9 | 140 | 190.4 | 400 | 544. | 600 | 816. |
| 7/8-14 | 155 | 210.8 | 440 | 598.4 | 660 | 897.6 |
| 1-8 | 220 | 299.2 | 580 | 788.8 | 900 | 1,224. |
| 1-12 | 240 | 326.4 | 640 | 870.4 | 1,000 | 1,360. |

NOTE:

1. These torque values are to be used for all hardware excluding: locknuts, self-tapping screws, thread forming screws, sheet metal screws and socket head setscrews.
2. Recommended seating torque values for locknuts:
 - a. For prevailing torque locknuts - use 65% of grade 5 torques.
 - b. For flange whizlock nuts (and screws) - use 135% of grade 5 torques.
3. Unless otherwise noted on assembly drawings all torque values must meet this specification.

**BOLT HEAD MARKING
S.A.E. GRADE:**



DEUTZ-ALLIS LAWN & GARDEN EQUIPMENT
500 N. Spring St., P.O. Box 997
Port Washington, WI USA 53074-0997

TP-1196
PRINTED IN U.S.A.
©1992 4/92