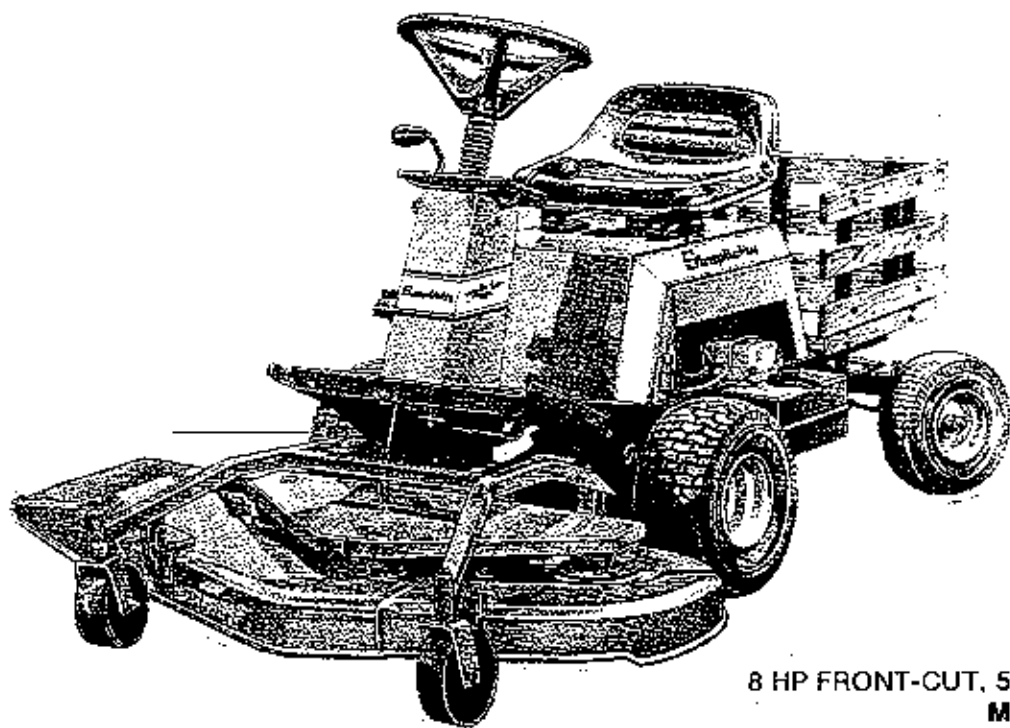


# **SunRunner**

**Front-Cut Riding Mower**  
**Gear Drive**



8 HP FRONT-CUT, 5 SPEED MOWER  
MFG. NO. 1691330  
MFG. NO. 1691457

12 HP FRONT-CUT 5 SPEED MOWER  
MFG. NO. 1691198  
MFG. NO. 1691458  
42" MOWER  
MFG. NO. 1691199  
36" MOWER  
MFG. NO. 1691332

TP-1105-03  
882

# **Simplicity**<sup>®</sup>

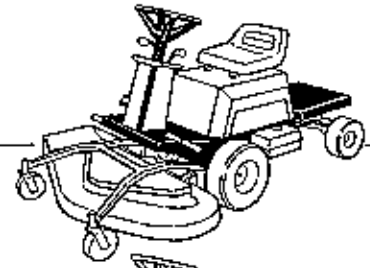


# Table of Contents

Page

## FRAME & STEERING GROUP

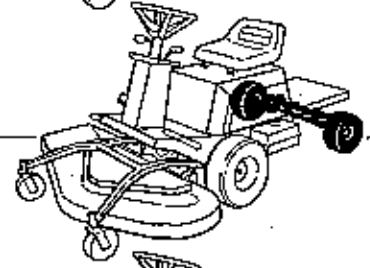
Frame, Steering Wheel, Column,  
Cables, Rear Platform



4

## REAR AXLE & REAR WHEELS GROUP

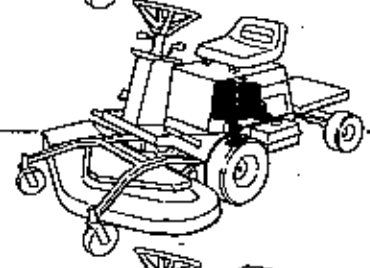
Rear Axle, Spindles, Steering Arms,  
Rear Wheels



8

## ENGINE GROUP

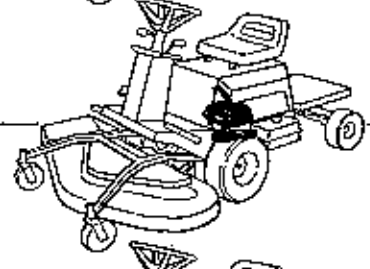
Engine, Drive Pulley, Belt Guides,  
Muffler, Shields



10

## TRANSMISSION GROUP

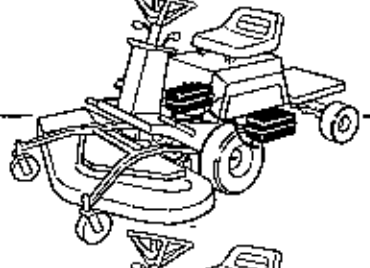
Transmission, Support, Chain Guard,  
Shift Arm, Clutch Arm, Pulleys



12

## FUEL SYSTEM GROUP

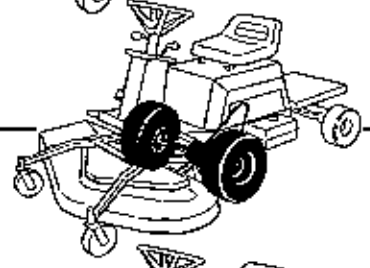
Fuel Tanks, Fuel Lines  
& Connectors



14

## DIFFERENTIAL & FRONT WHEELS GROUP

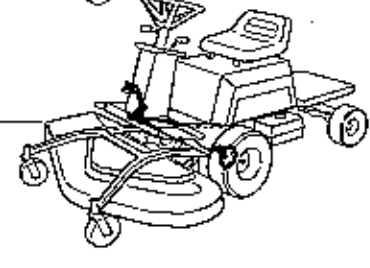
Axle Assembly, Brake Drum,  
Front Wheels



16

## BRAKE & CLUTCH GROUP

Pedal, Clutch Rod, Brake Rod,  
Brake Band



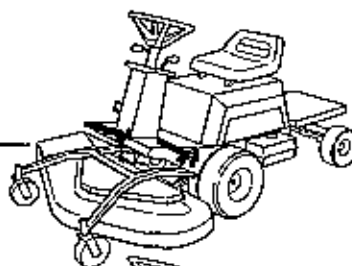
18

**Table of Contents - Continued**

**Page**

**PTO & MOWER LIFT GROUP**

Lift Lever, PTO Levers & Rod,  
Cable Assy. & Pulleys

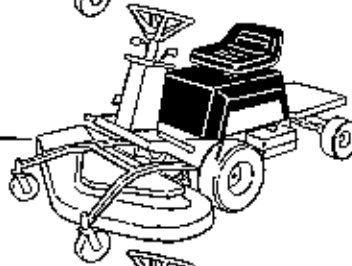


**20**

**SEAT & DECK GROUP**

(Mfg. Nos. 1691330 & 1691198)

Seat, Deck, Hinges,  
Latches

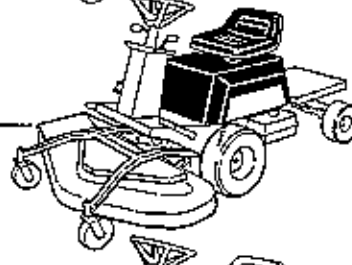


**22**

**SEAT & DECK GROUP**

(Mfg. Nos. 1691457 & 1691458)

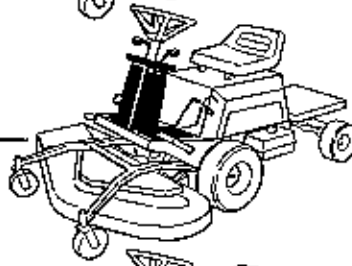
Seat, Deck, Hinges,  
Latches



**24**

**CONSOLE & CONTROL GROUP**

Steering Column Housing, Console, Throttle  
Cables, Shift Cable, Handles & Levers

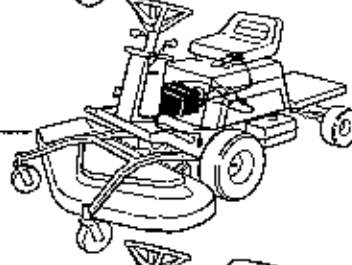


**28**

**ELECTRICAL GROUP**

(Mfg. Nos. 1691330 & 1691198)

Wiring Harness, Safety Switch, Battery, Solenoid,  
Micro Circuits, Circuit Breaker, Ignition Switch

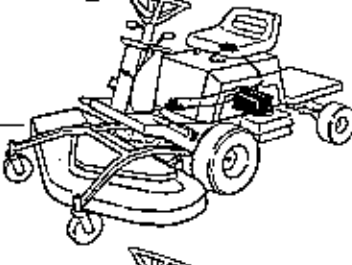


**30**

**ELECTRICAL GROUP**

(Mfg. Nos. 1691457 & 1691458)

Wiring Harness, Safety Switch, Battery, Solenoid,  
Micro Circuits, Circuit Breaker, Ignition Switch



**32**

**42" MOWER DECK & ARBOR GROUP**

Deck, Belt Covers, Deflectors, Baffles,  
Guard, Arbors & Blades



**34**

**42" MOWER DRIVE GROUP** \_\_\_\_\_ **36**  
 Pulleys, Belt, Mower Rod,  
 Brake Rod



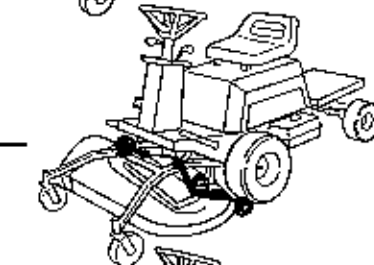
**42" MOWER SUPPORT GROUP** \_\_\_\_\_ **38**  
 Support Arm Assembly, Yoke, Wheels,  
 Spindles



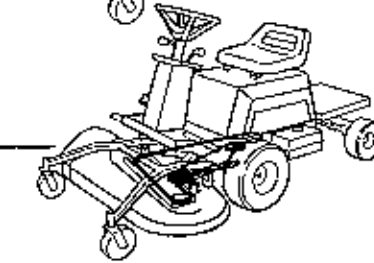
**36" MOWER DECK & ARBOR GROUP** \_\_\_\_\_ **40**  
 Deck, Belt Covers, Deflector, Baffle,  
 Arbors & Blades, Shield, Housing



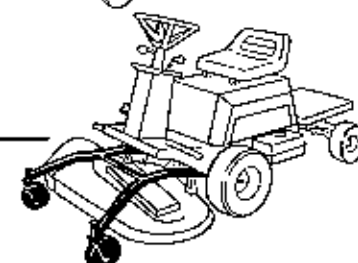
**36" MOWER BAFFLE & GAUGE ROLLER GROUP** \_\_\_\_\_ **42**  
 Baffle, Rollers, Brackets



**36" MOWER DRIVE GROUP** \_\_\_\_\_ **44**  
 Pulleys, Belt, Mower Rod,  
 Brake Rod



**36" MOWER SUPPORT GROUP** \_\_\_\_\_ **46**  
 Support Arm Assembly, Yoke,  
 Wheels, Spindles

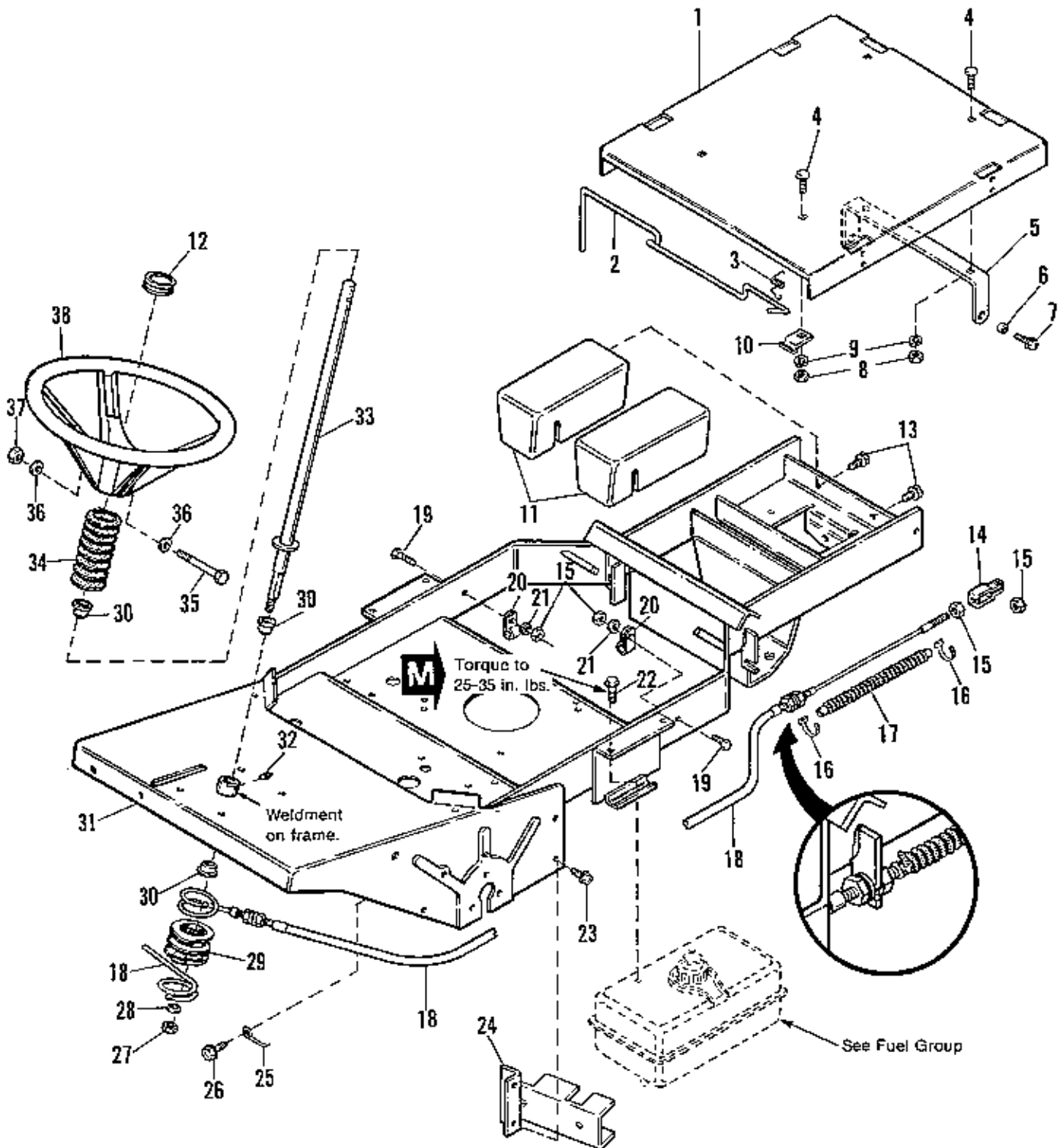


**DECAL & PAINT GROUP** \_\_\_\_\_ **48**

**TRANSMISSION - Peerless Parts Breakdown** \_\_\_\_\_ **50**

**DIFFERENTIAL - Peerless Parts Breakdown** \_\_\_\_\_ **52**

A-11496



NOTE: Use standard hardware torque spec. chart unless otherwise noted.

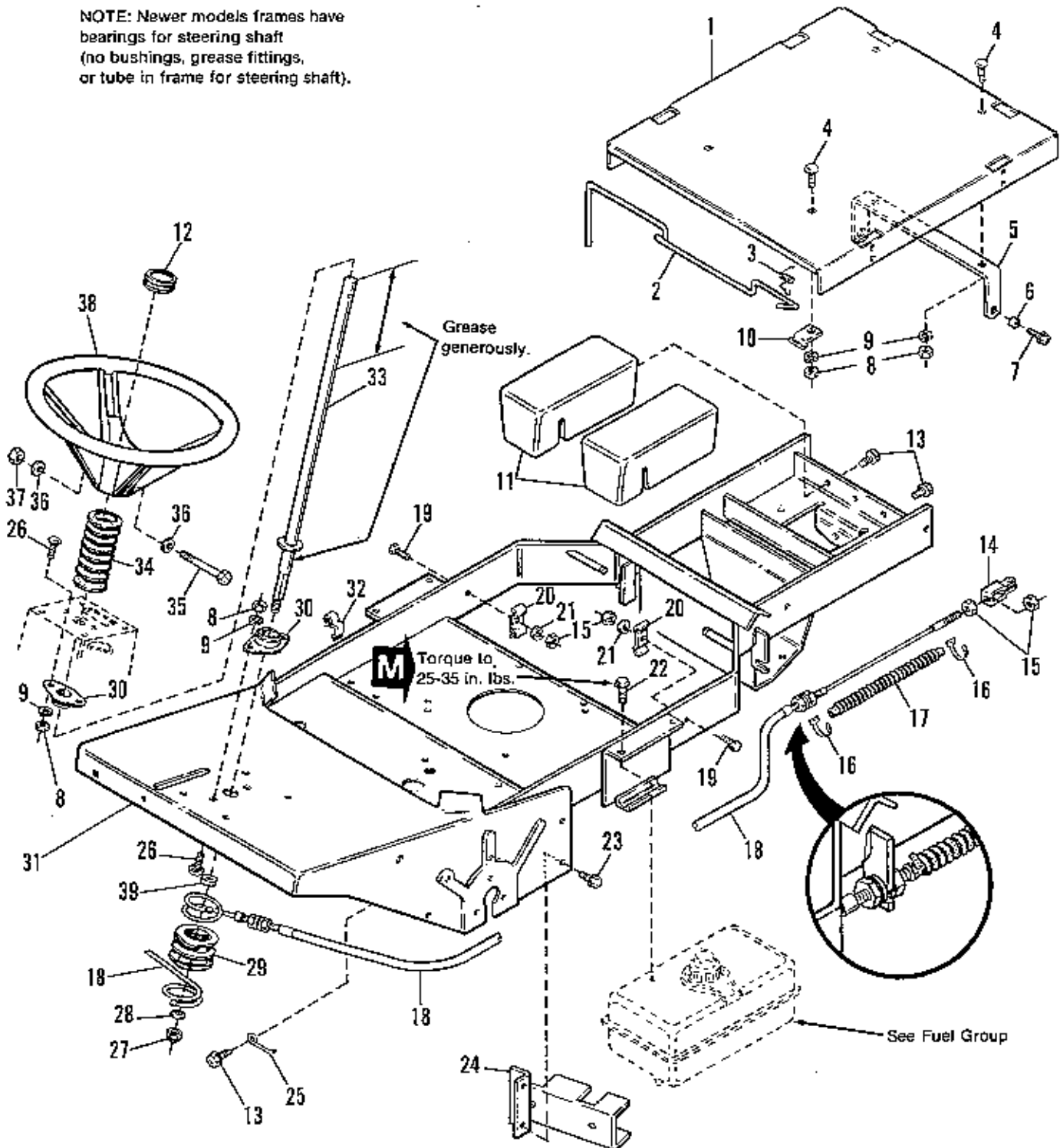
Ref. No.	Part No.	Qty.	Description
1	1678367	1	PLATFORM
2	1678389	1	ROD, Latch, Platform
3	1678390	1	SPRING, Torsion, Latch Rod
4	1931333	4	BOLT, Carriage, 5/16-18 x 3/4
5	1678368	1	BRACKET, Pivot, Platform
6	108717	2	SPACER, Pivot Bracket
7	1923683	2	CAPSCREW, Taptite, 3/8-16 x 3/4
8	1917372	4	NUT, Hex, 5/16-18
9	1917356	4	LOCKWASHER, 5/16
10	1664004	2	CLIP, Latch Rod
11		2	WEIGHT, Rear (Order Mfg. No. 1691293 thru Wholegoods)
12	1657017	1	CAP, Steering Wheel
13	1664847	2	SCREW, Taptite, 5/16-18 x 3/4
14	1678377	2	CLEVIS, Steering Cable
15	1916622	6	NUT, Hex, 1/4-20
16	925094	4	TIE, Steering Cable Boot, Self-locking
17	1700048	2	BOOT, Rubber, Steering Cable
18	1701151	2	CABLE, Steering
19	1923341	2	CAPSCREW, 1/4-20 x 3/4
20	1933979	2	CLAMP, Steering Cable
21	1916964	2	LOCKWASHER, 1/4
22	1678380	4	SCREW, Special, Fuel Tank
23	1924856	4	SCREW, Taptite, 5/16-18 x 1/2
24	1678449	2	SUPPORT ASSY., Fuel Tank
25	1678424	2	RETAINER, Steering Cable
26	1664847	2	CAPSCREW, Taptite, 5/16-18 x 3/4
27	1930648	1	LOCKNUT, 1/2-13
28	1924361	1	WASHER, 1/2
29	1678244	1	DRUM, Steering Shaft
30	176440	3	BUSHING, Nylon, Steering Shaft
31	1685361	1	FRAME ASSY.
32	921133	1	FITTING, Lube
33	1678310	1	STEERING SHAFT ASSY.
34	1678381	1	TUBE, Cover, Steering Shaft
35	1925690	1	CAPSCREW, 5/16-18 x 3-1/2
36	1919326	2	WASHER, 5/16
37	1923362	1	NUT, 5/16-18 Centerlock
38	1670989	1	STEERING WHEEL

**\*Early Models**

Used on Mfg. No. 1691457 before Serial No. 001557

Used on Mfg. No. 1691458 before Serial No. 001811

NOTE: Newer models frames have bearings for steering shaft (no bushings, grease fittings, or tube in frame for steering shaft).



NOTE: Use standard hardware torque spec. chart unless otherwise noted.



## Frame &amp; Steering Group

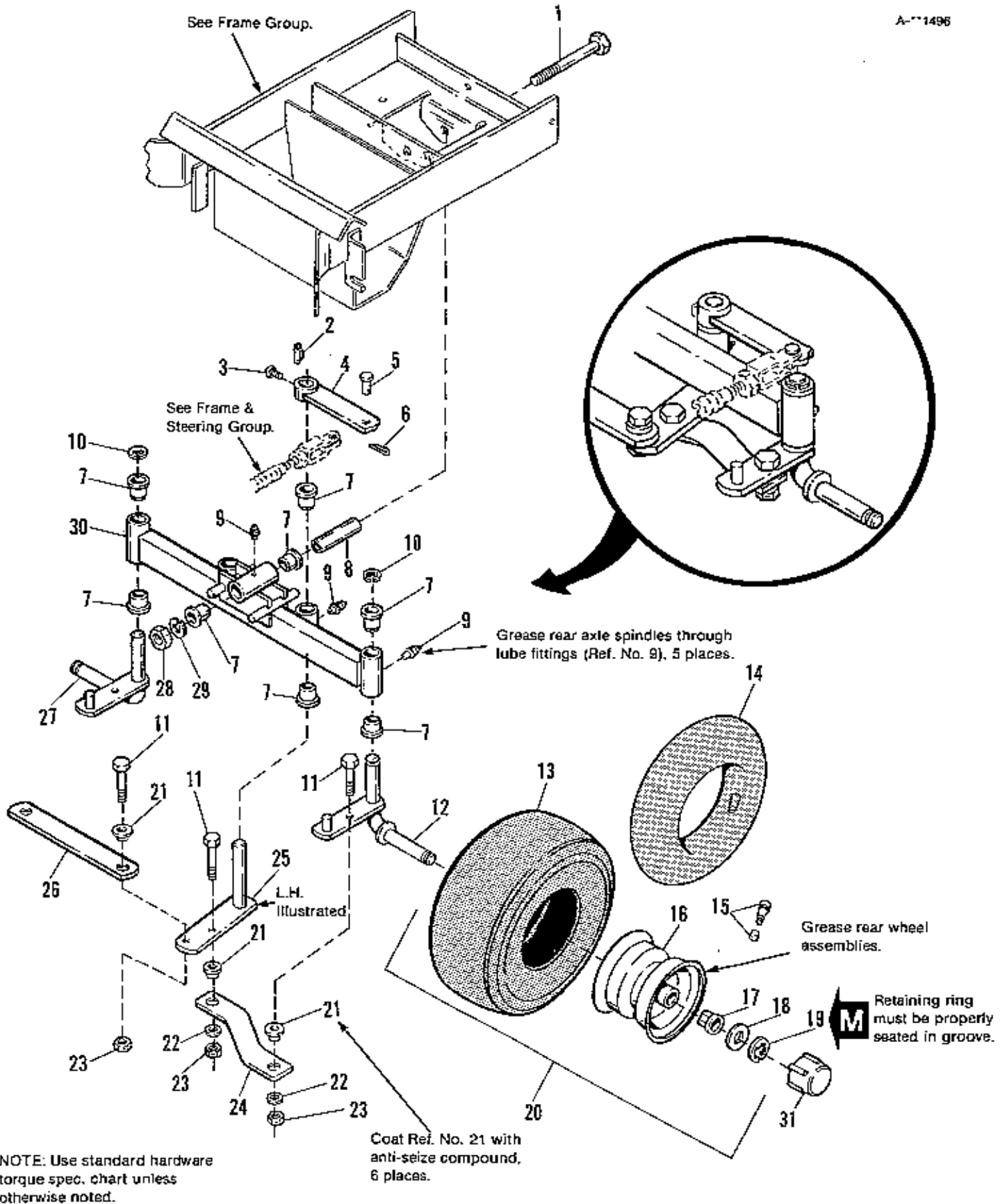
Ref. No.	Part No.	Qty.	Description
1	1678367	1	PLATFORM
2	1678389	1	ROD, Latch, Platform
3	1678390	1	SPRING, Torsion, Latch Rod
4	1931333	4	BOLT, Carriage, 5/16-18 x 3/4
5	1678368	1	BRACKET, Pivot, Platform
6	108717	2	SPACER, Pivot Bracket
7	1923683	2	CAPSCREW, Taptite, 3/8-16 x 3/4
8	1917372	8	NUT, Hex, 5/16-18
9	1917356	8	LOCKWASHER, 5/16
10	1664004	2	CLIP, Latch Rod
11		2	WEIGHT, Rear (Order Mfg. No. 1691293 thru Wholegoods)
12	1657017	1	CAP, Steering Wheel
13	1684847	4	SCREW, Taptite, 5/16-18 x 3/4
14	1678377	2	CLEVIS, Steering Cable
15	1916622	6	NUT, Hex, 1/4-20
16	925094	4	TIE, Steering Cable Boot, Self-locking
17	1700048	2	BOOT, Rubber, Steering Cable
18	1701151	2	CABLE, Steering
19	1921960	2	CAPSCREW, 1/4-20 x 1
20	1701700	2	CLAMP, Steering Cable
21	1916964	2	LOCKWASHER, 1/4
22	1678380	4	SCREW, Special, Fuel Tank
23	1924856	4	SCREW, Taptite, 5/16-18 x 1/2
24	1678449	2	SUPPORT ASSY., Fuel Tank
25	1678424	1	RETAINER, Steering Cable
26	1931333	4	CARRIAGE BOLT, 5/16-18 x 3/4
27	1960355	1	NUT, ESNA, Heavy Lock, 1/2-13
28	1924361	1	WASHER, 1/2
29	1678244	1	DRUM, Steering Shaft
30	1702385	2	BEARING, Flange
31	1685361	1	FRAME ASSY.
32	172436	2	CLIP, Cable
33	1702704	1	STEERING SHAFT ASSY.
34	1678381	1	TUBE, Cover, Steering Shaft
35	1925690	1	CAPSCREW, 5/16-18 x 3-1/2
36	1919326	2	WASHER, 5/16
37	1923362	1	NUT, 5/16-18 Centerlock
38	1870989	1	STEERING WHEEL
39	1702195	1	SPACER

**\*Later Models**

Used on Mfg. No. 1691457 after Serial No. 001556

Used on Mfg. No. 1691458 after Serial No. 001810

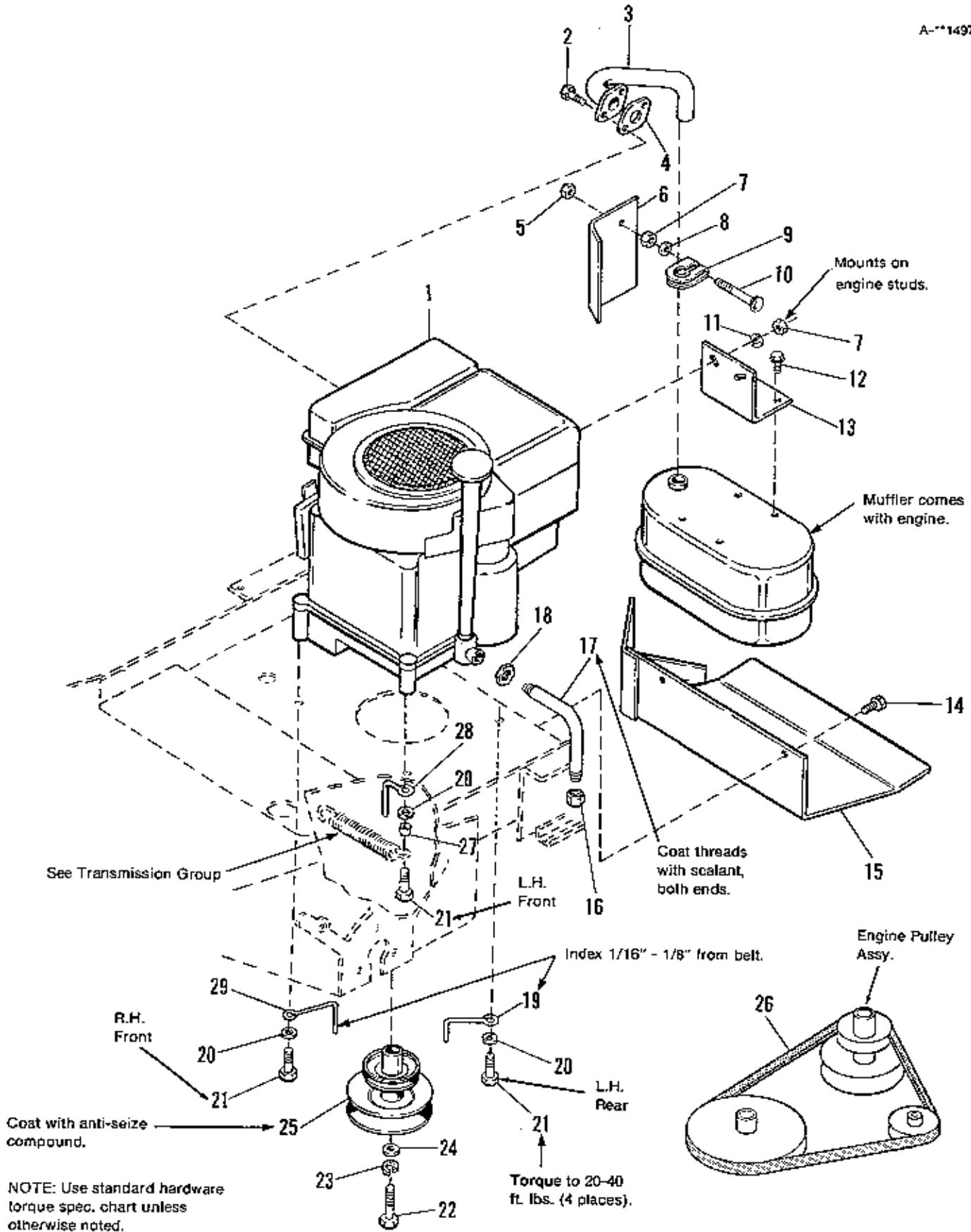
A-11496



Ref. No.	Part No.	Qty.	Description
1	1926158	1	CAPSCREW, 1/2-13 x 4
2	930672	2	KEY, Hi-Pro, 3/16 x 5/8
3	1928804	2	SETSCREW, Sq. Hd., 1/4-20 x 3/8
4	1677915	2	STEERING ARM ASSY., Upper
5	1960261	2	PIN, Steering Arm
6	1918445	2	COTTER PIN, 1/2
7	176440	10	BUSHING, Nylon
8	1678228	1	TUBE, Pivot Support
9	921133	5	FITTING, Lube
10	927794	2	E-RING, Retaining
11	1920415	6	CAPSCREW, Hex, 3/8-16 x 1-1/4
12	1677914	1	SPINDLE ASSY., L.H.
13	1672269	2	TIRE, Turf, 4.10/3.50-4 (Carlisle)
14	159141	2	TUBE, 4.10/3.50-4 (Service Only) (See note below.)
15	172353	2	VALVE STEM & CAP
16	1679712	2	WHEEL ASSY. (Incl. Ref. No. 17)
17	1679713	4	BEARING, Wheel
18	960202	2	WASHER, Wheel
19	927794	2	E-RING, Retaining, Wheel
20	1679698	2	WHEEL & TIRE ASSY., 4.10/3.50-4
21	1678333	6	SPACER
22	1924940	4	WASHER, 3/8
23	1930651	6	LOCKNUT, 3/8-16
24	1678313	2	TIE ROD
25	1677918	1	STEERING ARM ASSY., L.H. (Shown)
	1677919	1	STEERING ARM ASSY., R.H. (Not Shown)
26	1678072	1	DRAG LINK
27	1677911	1	SPINDLE ASSY., R.H.
28	1916951	1	NUT, 1/2-13
29	1916966	1	LOCKWASHER, 1/2
30	1677905	1	REAR AXLE ASSY.
31	1673333	2	CAP, Threaded

**NOTE:** Simplicity Tire Sealant can be used to repair tires in place of tubes. See inside front cover of this manual for part number.

A-1497

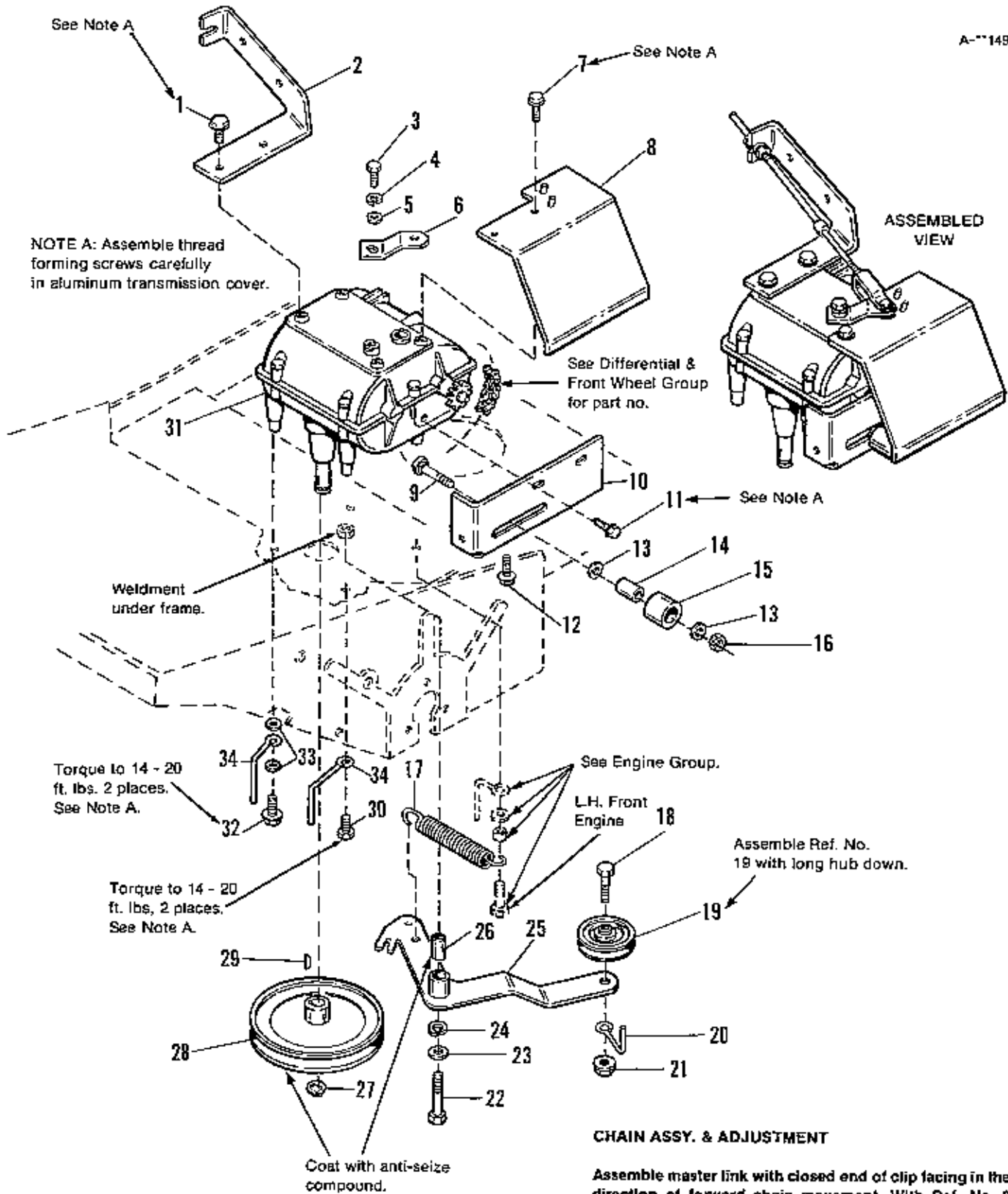


Ref. No.	Part No.	Qty.	Description
1		*1	ENGINE, 12 HP (Briggs & Stratton) (Includes muffler)
		*1	ENGINE, 8 HP (Briggs & Stratton) (Includes muffler)
		**1	ENGINE, 12 HP (Tecumseh) (Includes muffler)
2	1930591	2	SCREW, Whizlock, 5/16-18 x 3/4 (12 HP only)
	1960295	2	SCREW, Whizlock, 1/4-20 x 5/8 (8 HP only)
3	1655860	1	PIPE, Exhaust (12 HP Briggs & Stratton only)
	1700455	1	PIPE, Exhaust (8 HP Briggs & Stratton only)
4	1650670	1	GASKET, Muffler (12 HP Briggs & Stratton only)
	1700456	1	GASKET, Muffler (8 HP Briggs & Stratton only)
5	1923362	1	LOCKNUT, 5/16-18
6	1700396	1	SHIELD, Heat (Muffler)
7	1917372	3	NUT, Hex, 5/16-18
8	1917642	1	WASHER, Plain, 5/16
9	1676183	1	CLAMP
10	1931342	1	BOLT, Carriage, 5/16-18 x 2-3/4
11	1917356	2	LOCKWASHER, 5/16
12	1927429	4	SCREW, Taptite, 1/4-20 x 5/8
13	1700164	1	BRACKET, Muffler
14	1924856	2	SCREW, Taptite, 5/16-18 x 1/2
15	1700232	1	HEAT SHIELD ASSY. (Briggs & Stratton only)
	1679891	1	HEAT SHIELD ASSY. (Tecumseh only)
16	1667346	1	CAP, Hex, 3/8
17	1664989	1	DRAIN, Oil
18	1932849	1	LOCKNUT, Conduit, 3/8
19	1678306	1	STOP, Belt
20	1924940	3	WASHER, 3/8
21	930598	4	SCREW, Taptite, 3/8-16 x 1-1/2
22	1920353	1	CAPSCREW, Hex, 7/16-20 x 1-1/2 (Briggs engines only)
	1922128	1	CAPSCREW, Hex, 3/8-24 x 1-1/2 (Tecumseh engines only)
23	1918199	1	LOCKWASHER, 7/16 (Briggs engines only)
	1916965	1	LOCKWASHER, 3/8 (Tecumseh engines only)
24	1933263	1	WASHER, 3/8
25	1678163	1	PULLEY ASSY., Engine
26	1678354	1	BELT, Transmission Drive
27	1666804	1	SPACER
28	1678435	1	STOP, Belt
29	172844	1	STOP, Belt

\*See your local Briggs & Stratton distributor for engine parts & service.

\*\*See your local Tecumseh distributor for engine parts & service, including muffler, gasket, hardware, etc.

A-1498



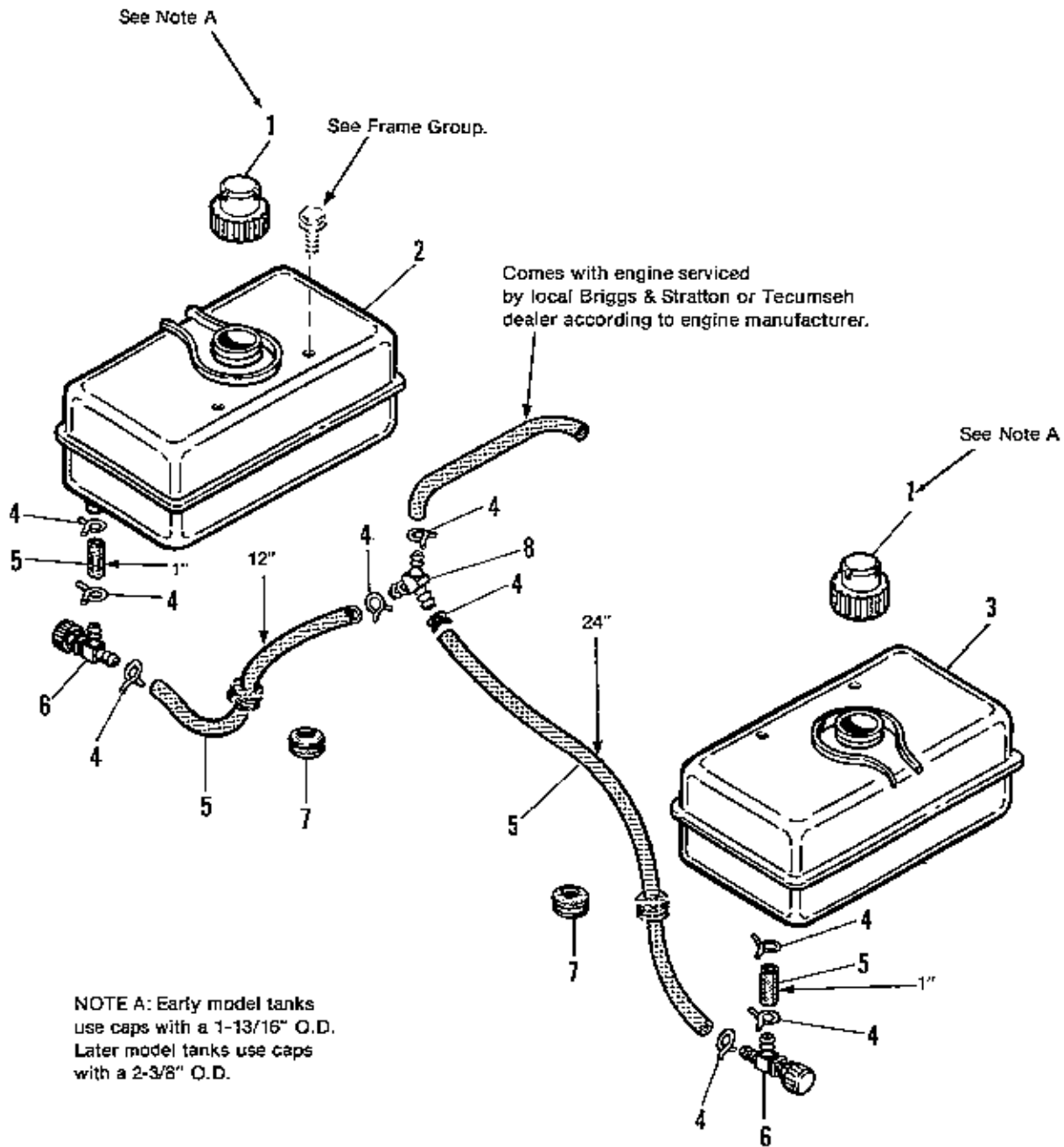
### CHAIN ASSY. & ADJUSTMENT

Assemble master link with closed end of clip facing in the direction of forward chain movement. With Ref. No. 9 (carriage bolt) loose, rotate axle sprocket counterclockwise while holding Ref. No. 15 (nylon roller) against the chain until the farthest forward position of the roller is located. At this point, hold the nylon roller firmly against the chain while tightening Ref. No. 9 (carriage bolt).

NOTE: Use standard hardware torque spec. chart unless otherwise noted.

Ref. No.	Part No.	Qty.	Description
1	1930601	2	SCREW, Taptite, 5/16-18 x 5/8
2	1678285	1	BRACKET, Cable
3	1922234	1	CAPSCREW, Hex, 1/4-28 x 5/8
4	1916964	1	LOCKWASHER, 1/4
5	1919381	1	WASHER, 5/16
6	1678283	1	LEVER, Shift
7	1924856	2	SCREW, Taptite, 5/16-18 x 1/2
8	1678372	1	GUARD, Chain
9	1960315	1	CARRIAGE BOLT, 3/8-16 x 2.0
10	1677867	1	SUPPORT, Transmission
11	1927429	2	SCREW, Taptite, 1/4-20 x 5/8
12	1664847	2	SCREW, Taptite, 5/16-18 x 1/2
13	1922611	2	WASHER, 3/8
14	170369	1	SPACER
15	170177	1	ROLLER, Nylon
16	1930651	1	NUT, Hex Jam Lock, 3/8-16
17	1676351	1	SPRING
18	1921971	1	CAPSCREW, 3/8-16 x 1-3/4
19	1668827	1	PULLEY, Idler
20	1656054	1	STOP, Belt
21	1930645	1	NUT, Flange Lock, 3/8-16
22	1922130	1	CAPSCREW, 3/8-16 x 2-1/4
23	1924940	1	WASHER, 3/8
24	1916803	1	LOCKWASHER, 3/8
25	1678054	1	CLUTCH ARM ASSY.
26	1678057	1	SPACER
27	927103	1	RING, Retaining
28	1678350	1	PULLEY ASSY., Transmission
29	905123	1	KEY, Woodruff No. 9
30	1930591	2	SCREW, Hex Whizlock, 5/16-18 x 3/4
*31		1	TRANSMISSION, 5 Speed
32	1927477	2	SCREW, Taptite, 5/16-18 x 1
33	1917642	2	WASHER, Plain, 5/16
34	172845	2	STOP, Belt

\*Refer to page 50 for parts breakdown. See your local Tecumseh/Peerless distributor for parts and service.



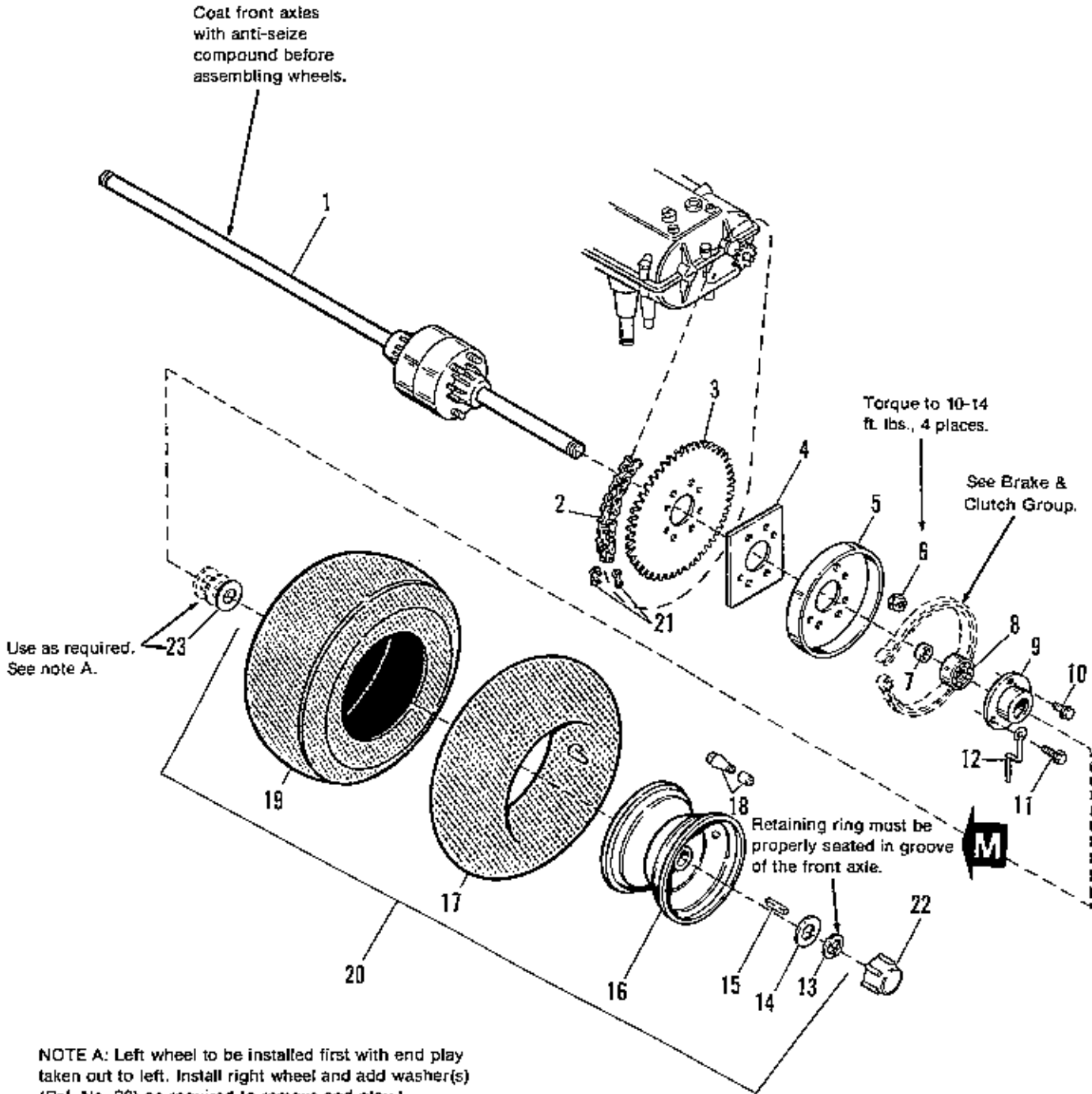
NOTE: Use standard hardware torque spec. chart unless otherwise noted.



---

Ref. No.	Part No.	Qty.	Description
1	1702507	2	CAP, Fuel Tank (Later models 2-3/8" O.D.)
	1678454	2	CAP, Fuel Tank (Earlier Models 1-13/16" O.D.)
2	1702509	1	TANK, Fuel (R.H.) (Incl. Cap Part No. 1702507)
3	1702508	1	TANK, Fuel (L.H.) (Incl. Cap Part No. 1702507)
4	1960112	9	CLAMP, Hose
5	1676861	2	HOSE, Fuel, 45-1/2" (cut to length)
6	1678455	2	VALVE, Shutoff
7	1650793	2	GROMMET
8	1678320	1	FITTING, Tee

A-11500



NOTE A: Left wheel to be installed first with end play taken out to left. Install right wheel and add washer(s) (Ref. No. 23) as required to remove end play.)

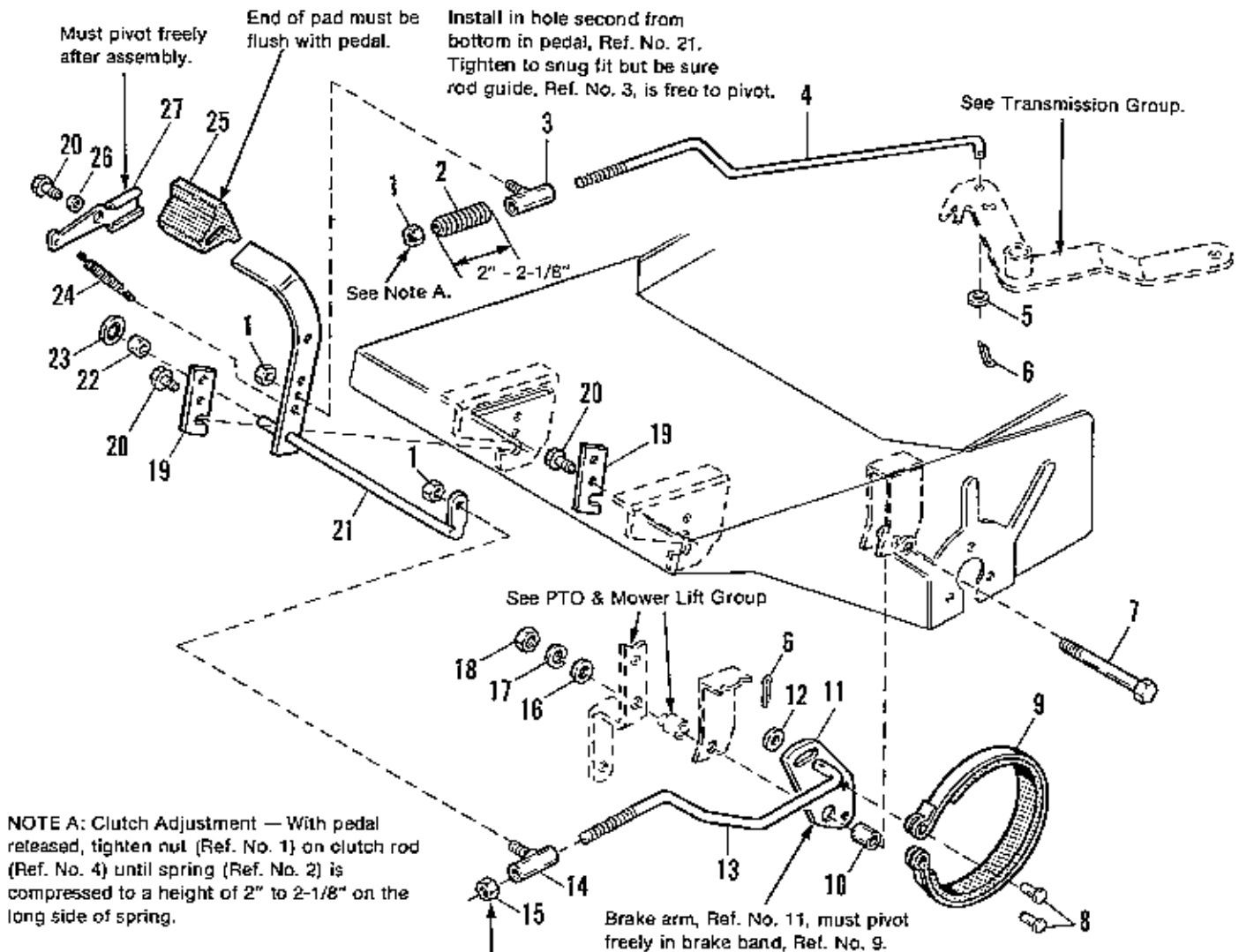
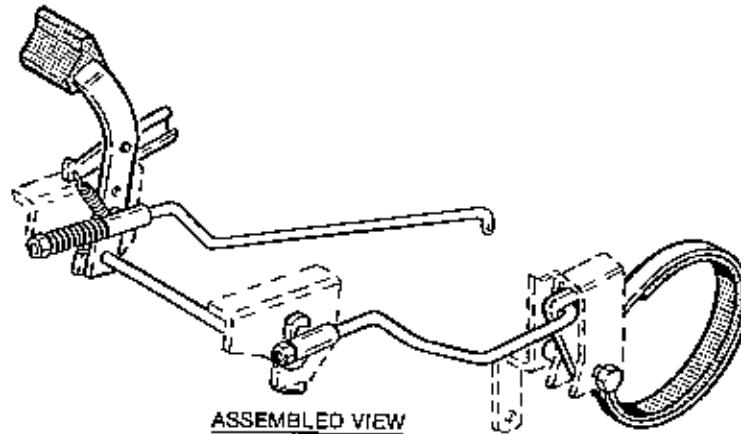
NOTE: Use standard hardware torque spec. chart unless otherwise noted.

NOTE: See Chain Assy. & Adjustment note on page 10.

Ref. No.	Part No.	Qty.	Description
*1		1	AXLE ASSY., Differential
2	1678376	1	CHAIN, Roller
3	1668296	1	SPROCKET, 54 Tooth
4	1678408	1	SHIM, Sprocket
5	1668295	1	DRUM, Brake
6	1935048	4	NUT, Flange Lock, 5/16-18
7	1701772	1	SPACER, Axle
8	108202	2	BEARING
9	1665696	2	FLANGE, Bearing
10	1924856	5	SCREW, Taptite, 5/16-18 x 1/2
11	1925359	1	SCREW, Taptite, 5/16-18 x 3/4
12	1678447	1	STOP, Brake Band
13	927794	2	RING, Retaining, Wheel
14	960202	3	WASHER, 3/4
15	8221042	2	KEY, 3/16 x 3/16 x 1-1/2
16	1701322	2	WHEEL ASSY.
17	1664090	2	TUBE (Service Only) (See note below.)
18	172353	2	VALVE STEM & CAP
19	1700099	2	TIRE, 15 x 6.00-6
20	1701321	2	WHEEL & TIRE ASSY., 15 x 6.00-6
21	1701112	1	MASTER LINK, Chain
22	1673333	2	CAP, Threaded
23	1960114	3	WASHER, Shim, 3/4 x 1-1/16 (Use as needed)

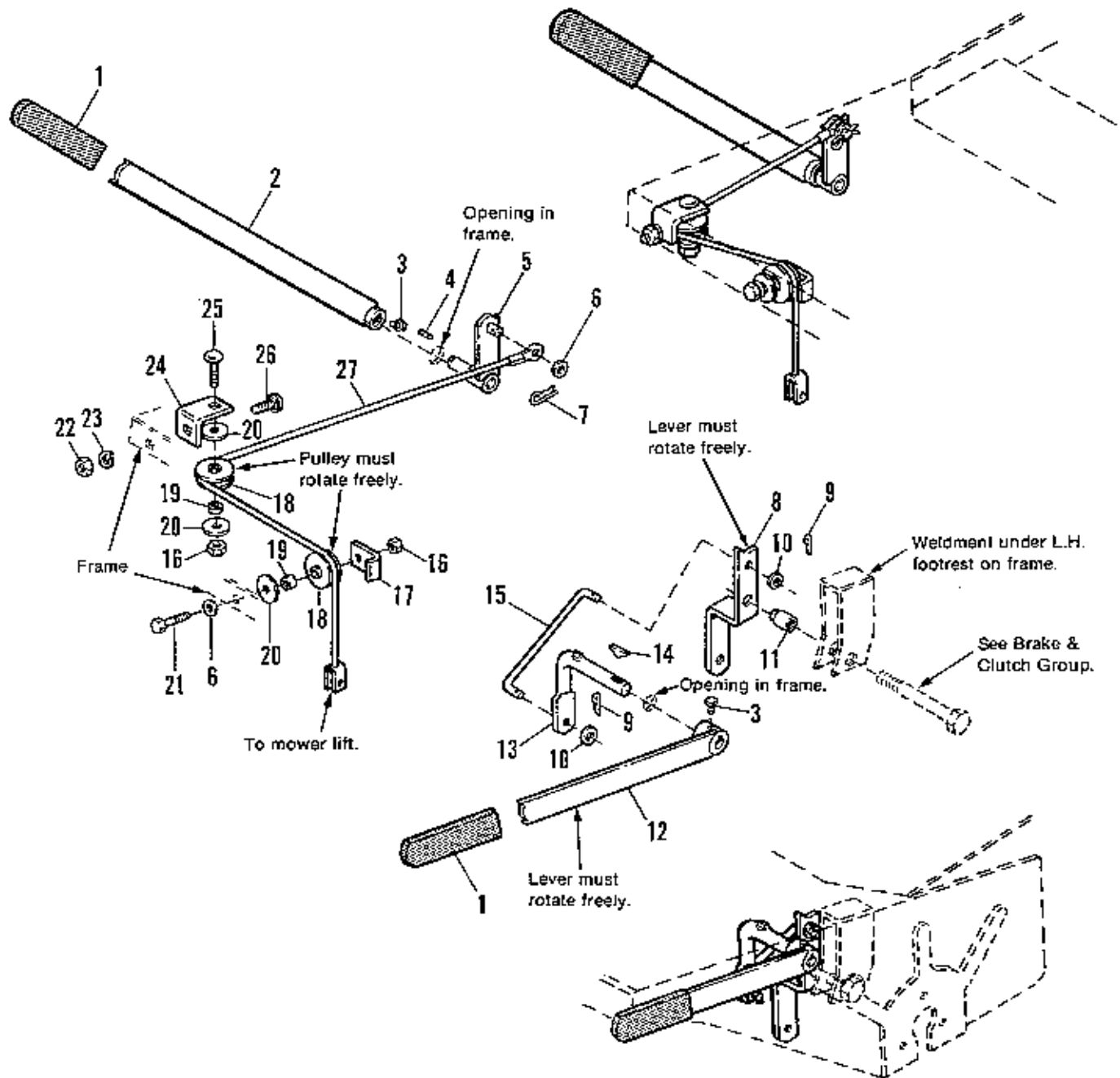
\*See page 52 for parts breakdown. For parts & service see your local Tecumseh/Peerless distributor.

**NOTE:** Simplicity Tire Sealant can be used to repair tires in place of tubes. See inside front cover of this manual for part number.



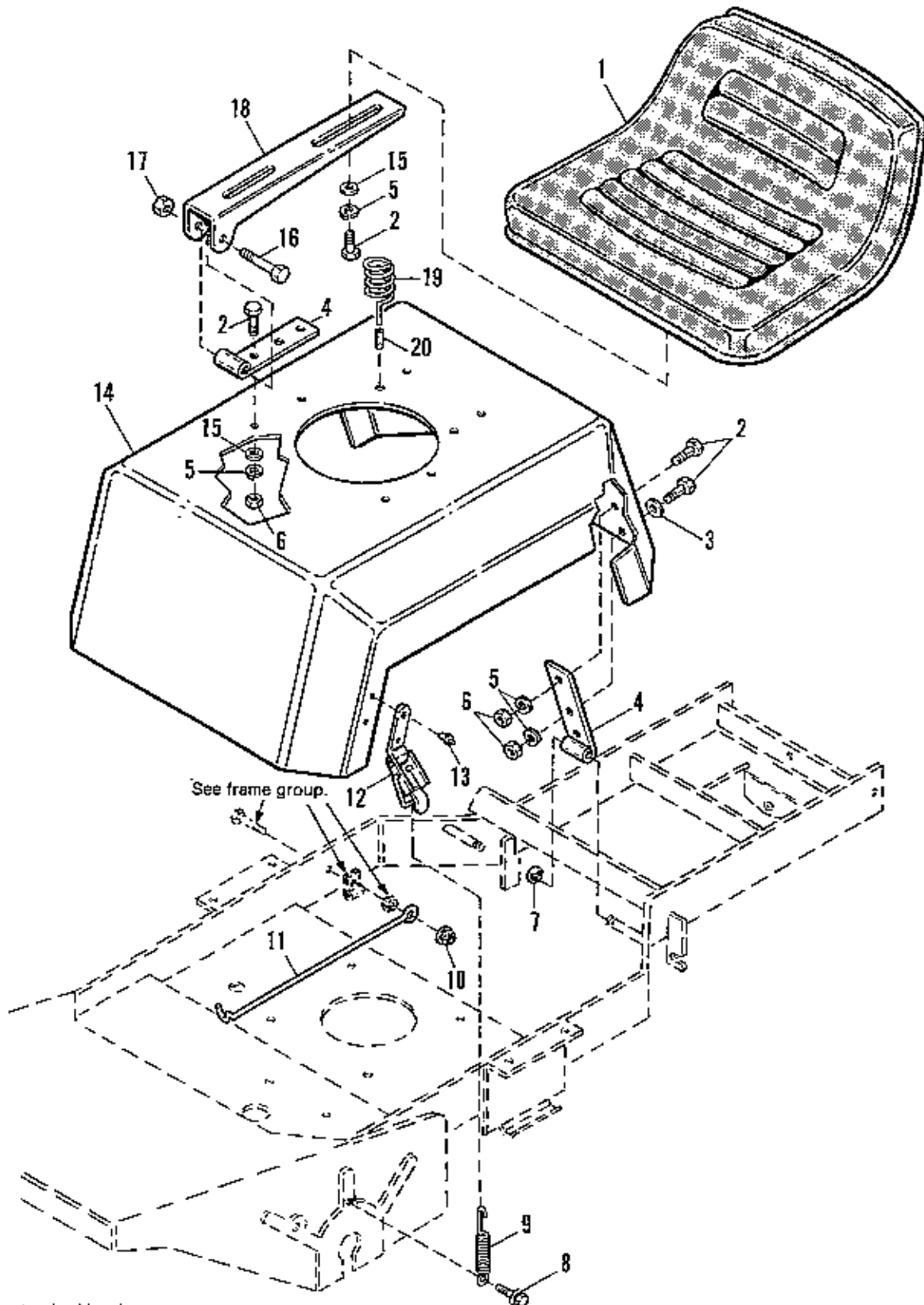
NOTE: Use standard hardware torque spec. chart unless otherwise noted.

Ref. No.	Part No.	Qty.	Description
1	1923362	3	NUT, Hex Lock, 5/16-18
2	157041	1	SPRING
3	164094	1	GUIDE ASSY., Rod
4	1678287	1	ROD, Clutch
5	1919326	1	WASHER, 11/32 x 3/4
6	1918447	2	PIN, Cotter, 3/4
7	1960286	1	CAPSCREW, 1/2-13 x 3-1/2, Gr. 5
8	1667132	2	PIN
9	1679357	1	BAND ASSY., Brake
10	1678409	1	SPACER
11	1678279	1	LINK, Brake Arm
12	1917378	1	WASHER, 3/8
13	1678284	1	ROD, Brake
14	1700114	1	GUIDE ASSY., Rod
15	1919439	1	NUT, Hex Lock, 3/8-16
16	1676435	1	WASHER, 1/2
17	1916966	1	LOCKWASHER, 1/2
18	1916951	1	NUT, Hex, 1/2-13
19	1678327	2	BRACKET, Brake
20	1924856	5	SCREW, Taptite, 5/16-18 x 1/2
21	1678326	1	SHAFT ASSY., Brake
22	1678328	1	SPACER
23	1960260	1	NUT, Push
24	1678341	1	SPRING
25	1666664	1	PAD, Pedal
26	1665844	1	SPACER
27	1678340	1	LATCH, Brake



NOTE: Use standard hardware torque spec. chart unless otherwise noted.

Ref. No.	Part No.	Qty.	Description
1	1665835	2	GRIP
2	1678255	1	LEVER ASSY., Lift
3	1928804	2	SET SCREW, 1/4-20 x 3/8
4	918312	1	KEY, 3/16 x 5/8
5	1678258	1	LEVER ASSY.
6	1917377	2	WASHER, 1/4
7	1960221	1	PIN, Quick
8	1678400	1	LEVER, PTO
9	1918447	2	PIN, Cotter, 3/4
10	1917642	2	WASHER, 5/16
11	1678401	1	SPACER
12	1678402	1	LEVER ASSY., PTO
13	1678404	1	LEVER, PTO
14	928637	1	KEY, Hi-Pro, 5/32 x 5/8
15	1678330	1	ROD, PTO
16	1923358	2	NUT, Hex, Lock, 1/4-20
17	1678448	1	GUIDE, Cable
18	1678335	2	PULLEY, Lift Cable
19	1678392	2	SPACER
20	1960151	3	WASHER, 1/4
21	1921960	1	CAPSCREW, 1/4-20 x 1.0
22	1917372	1	NUT, Hex, 5/16-18
23	1917356	1	LOCKWASHER, 5/16
24	1678263	1	BRACKET, Pulley
25	1931320	1	CARRIAGE BOLT, 1/4-20 x 1-1/4
26	1960282	1	CARRIAGE BOLT, 5/16-18 x 3/4
27	1678334	1	CABLE ASSY., Lift

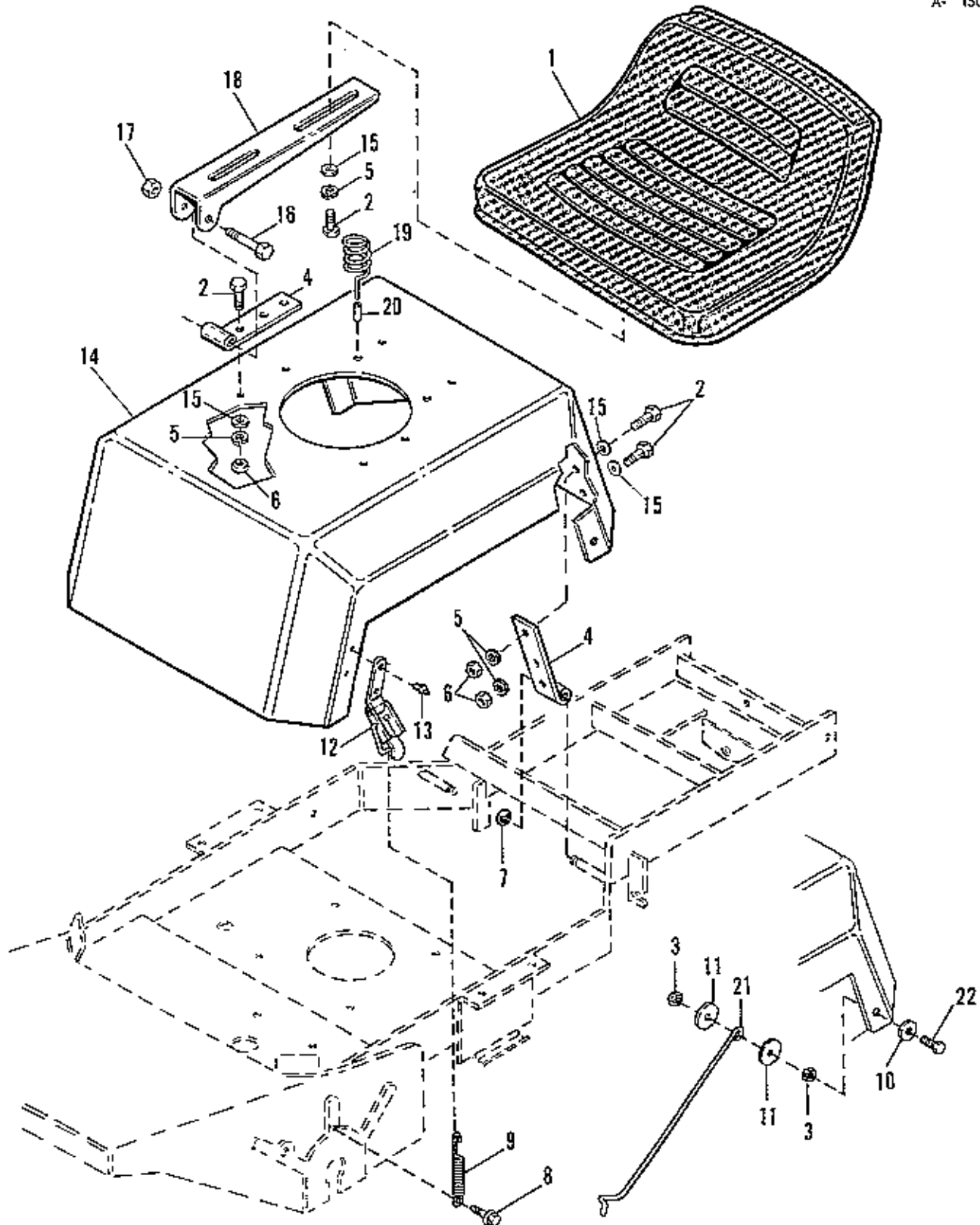


NOTE: Use standard hardware torque spec. chart unless otherwise noted.



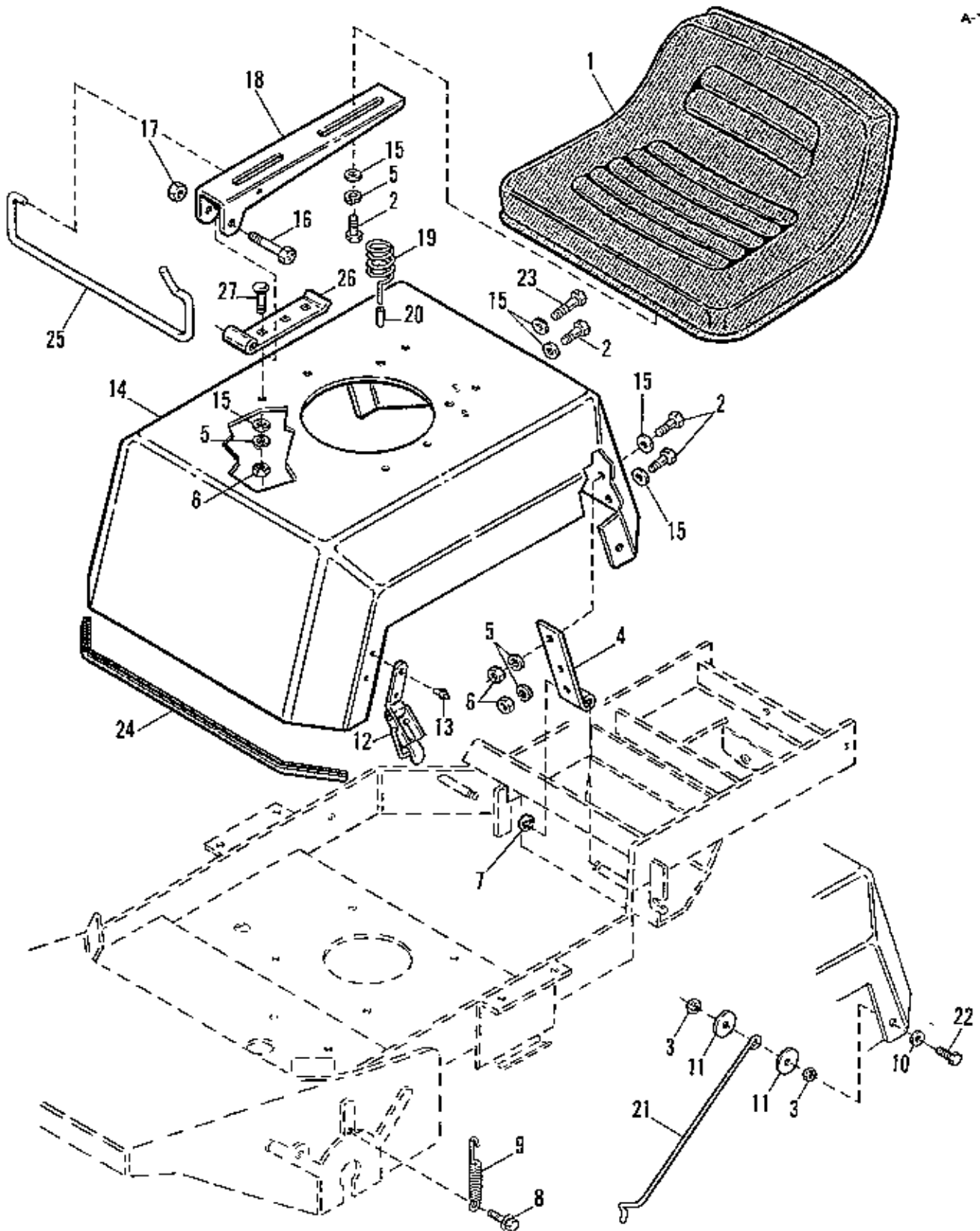
Ref. No.	Part No.	Qty.	Description
1	1700618	1	SEAT (Used on 1691330 and on 1691198 after serial no. 1089.)
	1678538	1	SEAT (Used on 1691198 before serial no. 1070.)
2	1921332	12	CAPSCREW, 5/16-18 x 3/4
3	1919381	2	WASHER
4	1678415	4	HINGE, Seat Deck
5	1917356	12	LOCKWASHER, 5/16
6	1917372	12	NUT, Hex, 5/16-18
7	932724	2	RING, Retaining
8	1924856	2	SCREW, Taptite, 5/16-18 x 1/2
9	1678416	2	SPRING, Latch
10	1930642	1	NUT, Flange, Lock, 1/4-20
11	1679941	1	ROD, Deck Latch
12	1678417	2	LATCH, Seat, Pull Tight
13	1675044	4	RIVET, Seat Latch
14	1678361	1	DECK, Seat
15	1917642	8	WASHER, Flat, 5/16
16	1923701	2	CAPSCREW, 3/8-16 x 2
17	1930651	2	NUT, Hex Lock, 3/8-16
18	1666200	2	HINGE, Upper, Seat
19	1666690	2	SPRING, Seat
20	1666691	2	COVER, Spring

A-1503



NOTE: Use standard hardware torque spec. chart unless otherwise noted.

Ref. No.	Part No.	Qty.	Description
1	1700618	1	SEAT
2	1921332	12	CAPSCREW, 5/16-18 x 3/4
3	1923358	2	NUT, Hex Centerlock, 1/4-20
4	1678415	4	HINGE, Seat Deck
5	1917356	12	LOCKWASHER, 5/16
6	1917372	8	NUT, Hex, 5/16-18
7	932724	2	RING, Retaining
8	1924856	2	SCREW, Taptite, 5/16-18 x 1/2
9	1678416	2	SPRING, Latch
10	1917377	1	WASHER, 1/4 x 3/4
11	1960151	2	WASHER, 1/4 x 1-1/4
12	1678417	2	LATCH, Seat, Pull Tight
13	1675044	4	RIVET, Seat Latch
14	1701405	1	DECK, Seat
15	1917642	12	WASHER, Flat, 5/16
16	1923701	2	CAPSCREW, 3/8-16 x 2
17	1930651	2	NUT, Hex Lock, 3/8-16
18	1666200	2	HINGE, Upper, Seat
19	1666690	2	SPRING, Seat
20	1666691	2	COVER, Spring
21	1701280	1	ROD, Seat Deck
22	1921960	1	CAPSCREW, Hex, 1/4-20 x 1

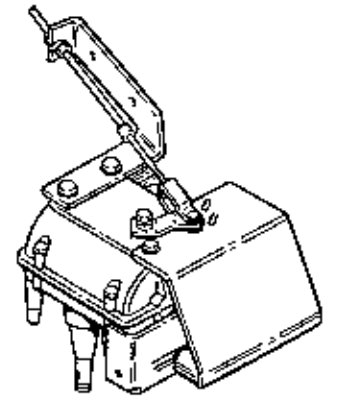


NOTE: Use standard hardware torque spec. chart unless otherwise noted.

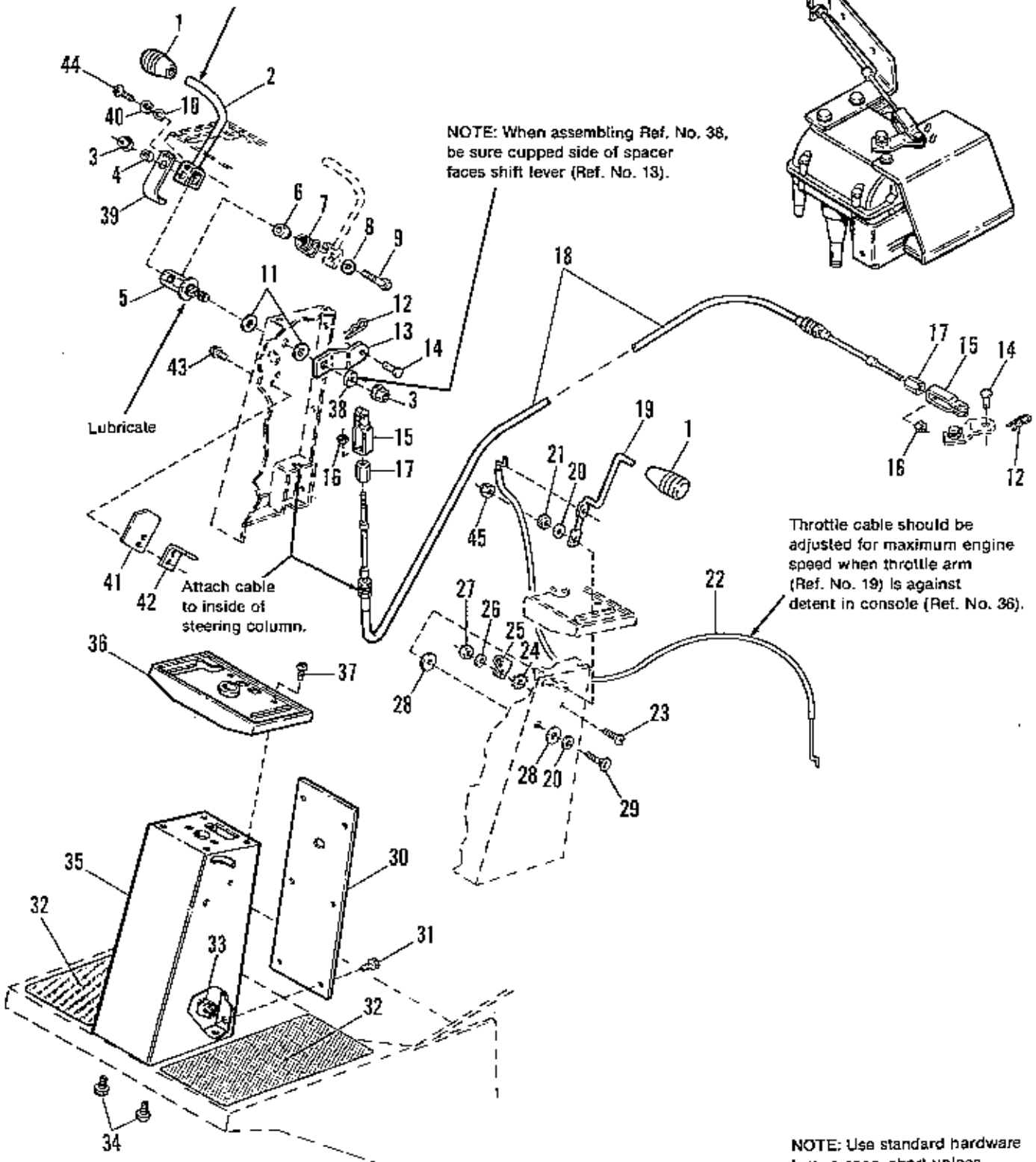
Ref. No.	Part No.	Qty.	Description
1	1700618	1	SEAT
2	1921332	12	CAPSCREW, 5/16-18 x 3/4
3	1923358	2	NUT, Hex Centerlock, 1/4-20
4	1678415	2	HINGE, Seat Deck
5	1917356	12	LOCKWASHER, 5/16
6	1917372	8	NUT, Hex, 5/16-18
7	932724	2	RING, Retaining
8	1924856	2	SCREW, Taptite, 5/16-18 x 1/2
9	1702722	2	SPRING, Latch
10	1917377	1	WASHER, 1/4 x 3/4
11	1960151	2	WASHER, 1/4 x 1-1/4
12	1678417	2	LATCH, Seat, Pull Tight
13	1675044	4	RIVET, Seat Latch
14	1701405	1	DECK, Seat
15	1917642	12	WASHER, Flat, 5/16
16	1923701	2	CAPSCREW, 3/8-16 x 2
17	1930651	2	NUT, Hex Lock, 3/8-16
18	1701559	2	HINGE, Upper, Seat
19	1666690	2	SPRING, Seat
20	1666691	2	COVER, Spring
21	1701280	1	ROD, Seat Deck
22	1921960	1	CAPSCREW, Hex, 1/4-20 x 1
23	1921333	1	CAPSCREW, Hex, 5/16-18 x 1
24	1702158	1	MOULDING, Deck
25	1701509	1	LATCH, Seat
26	1701560	2	HINGE, Lower
27	1960282	4	BOLT, Carriage, 5/16-18 x 3/4

Transmission MUST remain in neutral when shift lever (Ref. No. 2) is against upper & lower neutral stops of steering column console (Ref. No. 36).

ASSEMBLED VIEW



NOTE: When assembling Ref. No. 38, be sure cupped side of spacer faces shift lever (Ref. No. 13).



Lubricate

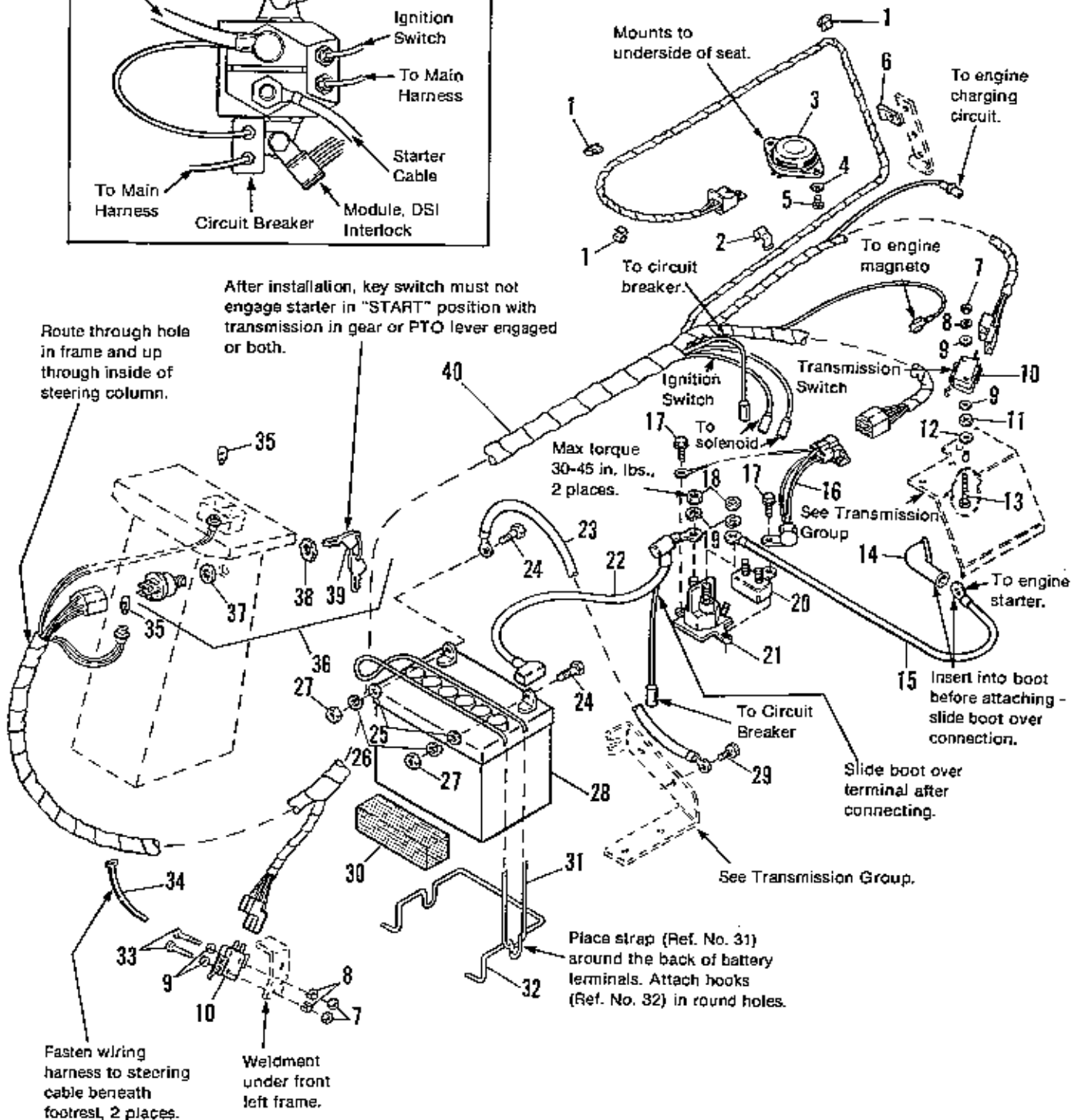
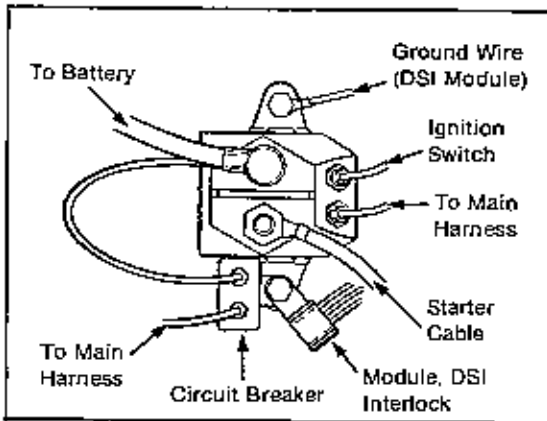
Attach cable to inside of steering column.

Throttle cable should be adjusted for maximum engine speed when throttle arm (Ref. No. 19) is against detent in console (Ref. No. 36).

NOTE: Use standard hardware torque spec. chart unless otherwise noted.

Ref. No.	Part No.	Qty.	Description
1	1678365	2	KNOB, Control
2	1701278	1	ROD ASSY., Shift (1691457 & 1691458)
	1678427	1	ROD ASSY., Shift (1691198 & 1691330)
3	1924433	2	NUT, Hex, Fiber Lock, 5/16-18
4	1685889	1	SPACER
5	1685327	1	PIVOT, Shift (Incl. Ref. No. 38)
6	1678425	1	SPACER
7	1678429	1	SPRING, Torsion
8	1917642	1	WASHER, Flat, 5/16
9	1922127	1	CAPSCREW, Hex, 5/16-18 x 1-3/4
10	1917458	1	WASHER, #6, Plain
11	1678360	2	WASHER, Nylon, 33/64 x 1
12	1960221	2	PIN, Quick
13	1678283	1	LEVER, Shift
14	1960261	2	PIN
15	1678377	2	CLEVIS
16	1678436	2	NUTS, Special #10-32
17	1700860	2	NUT, Collar
18	1678288	1	CABLE, Transmission
19	1678362	1	THROTTLE ARM
20	1917377	2	WASHER, 1/4
21	1923358	1	LOCKNUT, 1/4-20
22	1678371	1	CABLE, Throttle
23	1930531	1	SCREW, Rd. Hd., #10-32 x 1/2
24	1922711	1	LOCKWASHER, Ext. Tooth #10
25	158475	1	CLIP, Throttle Cable
26	1923212	1	WASHER, 7/32 x 1/2
27	1928919	1	NUT, #10-32
28	1678366	2	WASHER, Nylon, 17/64 x 3/4 x 7/8
29	1921960	1	CARRIAGE BOLT, 1/4-20 x 1
30	1678245	1	PANEL, Steering Column
31	1676860	6	SCREW, Hex, Type AB
32	1678437	2	MAT, Foot
33	1676647	5	SPEED NUT, "U" Type
34	1924856	4	SCREW, Taptite, 5/16-18 x 1/2
35	1685362	1	COLUMN ASSY., Steering
36	1678357	1	CONSOLE, Steering Column
37	1678419	4	SCREW, Taptite, 1/4-20 x 3/4
38	1700880	1	SPACER (Shift Lever)
39	1701274	1	NEUTRAL SWITCH ARM (1691457 & 1691458 only)
40	1930947	1	LOCKWASHER, #5 Spring (1691457 & 1691458 only)
41	1701328	1	FLIPPER, Switch (1691457 & 1691458 only)
42	1701275	1	BRACKET, Switch (1691457 & 1691458 only)
43	1930416	2	SCREW, Taptite #10-32 x 3/8 (1691457 & 1691458 only)
44	1935944	1	SCREW, Taptite, #5-40 x 3/4 (1691457 & 1691458 only)
45	1920397	1	NUT, Hex Lock (ESNA) 1/4-20 (1691457 & 1691458 only)
46	1917458	1	WASHER, #6, Plain (1691457 & 1691458 only)

A-11505



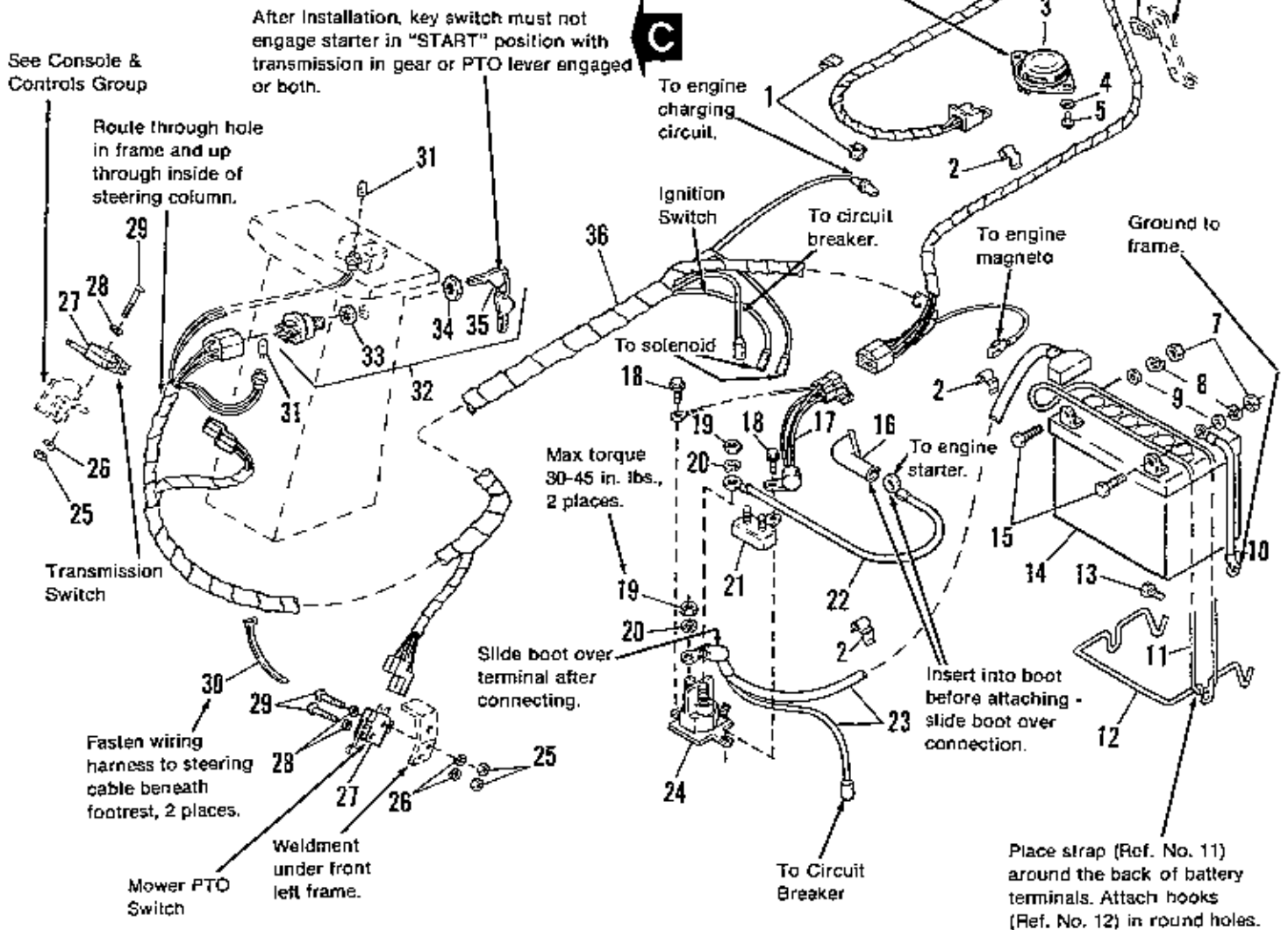
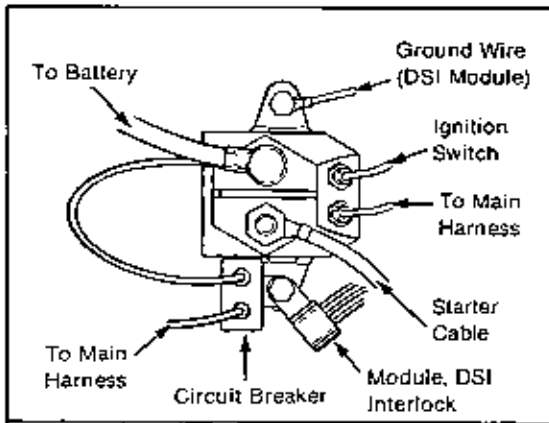
NOTE: Use standard hardware for torque spec. chart unless otherwise noted.



Ref. No.	Part No.	Qty.	Description
1	930222	3	CLIP, Wire
2	172436	1	CLIP, Wire
3	1700636	1	SWITCH, Seat (Used on all 1691330 and 1691198 after serial no. 1069.)
	1671703	1	SWITCH, Seat (Used on 1691198 before serial no. 1070.)
4	1921880	2	LOCKWASHER, Ext., 1/4
5	1926025	2	SCREW, Rd. Hd., 1/4-20 x 1/2
6	926918	1	CLAMP, Wire
7	1931003	4	NUT, Hex, #5-40
8	1930947	4	LOCKWASHER, #5
9	1917458	4	WASHER, #6
10	1679932	2	MICRO SWITCH, Tandem
11	1923358	2	LOCKNUT, Hex, 1/4-20
12	1917377	2	WASHER, 1/4
13	1678398	2	STUD, Switch, Mtg.
14	122023	1	COVER, Terminal
15	1668819	1	CABLE ASSY., (Starter)
16	1672654	1	MODULE, DSI, Interlock (Used with Briggs & Stratton engine only.)
	1700195	1	MODULE, DSI, Interlock (Used with Tecumseh engine only.)
17	925592	2	SCREW, Taplite, 1/4-20 x 3/4, Pltd.
18	920263	2	NUT, Hex, 5/16-24
19	917356	2	LOCKWASHER, 5/16
20	1665238	1	CIRCUIT BREAKER
21	1700751	1	SOLENOID
22	1677297	1	CABLE ASSY. (Battery - Solenoid)
23	1671158	1	CABLE ASSY., (Battery Ground)
24	923341	2	CAPSCREW, Hex, 1/4-20 x 3/4
25	917377	2	WASHER, 1/4
26	916964	2	LOCKWASHER, 1/4
27	916622	2	NUT, Hex, 1/4-20
28	1685215	1	BATTERY, 12V
29	924856	1	SCREW, Taplite, 5/16 x 1/2
30	1678391	1	PAD, Foam, Battery
31	1665872	1	STRAP, Battery
32	1667805	1	BRACE, Battery
33	1960014	2	SCREW, Rnd. Hd., #5-40 x 1-1/2
34	932747	2	CABLE TY-WRAP
35	1676130	2	LAMP, Indicator
36	178280	1	SWITCH, Ignition (Incl. Ref. Nos. 37, 38 & 39)
37	918906	1	LOCKWASHER, Int. 5/8
38	122234	1	NUT, 5/8-32
39	122203	1	KEYS & RING
*40	1700686	1	WIRING HARNESS

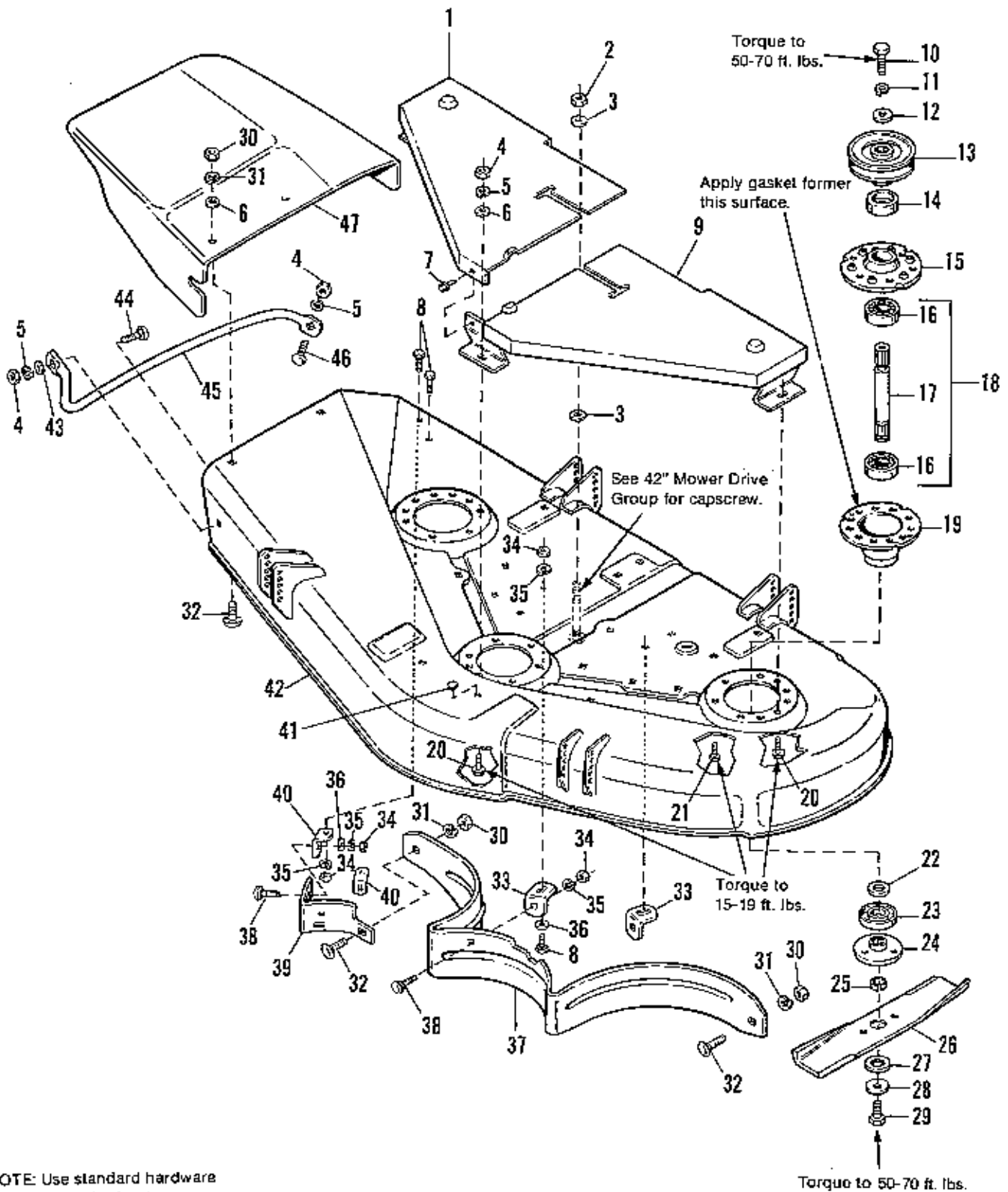
\*Used on all 1691330 and on 1691198 after serial no. 1069. Mfg. No. 1691198 before serial no. 1070 requires alterations: cut seat switch connector off old wiring harness and replace the similar end on new harness with old connector.

A-1505



NOTE: Use standard hardware torque spec. chart unless otherwise noted.

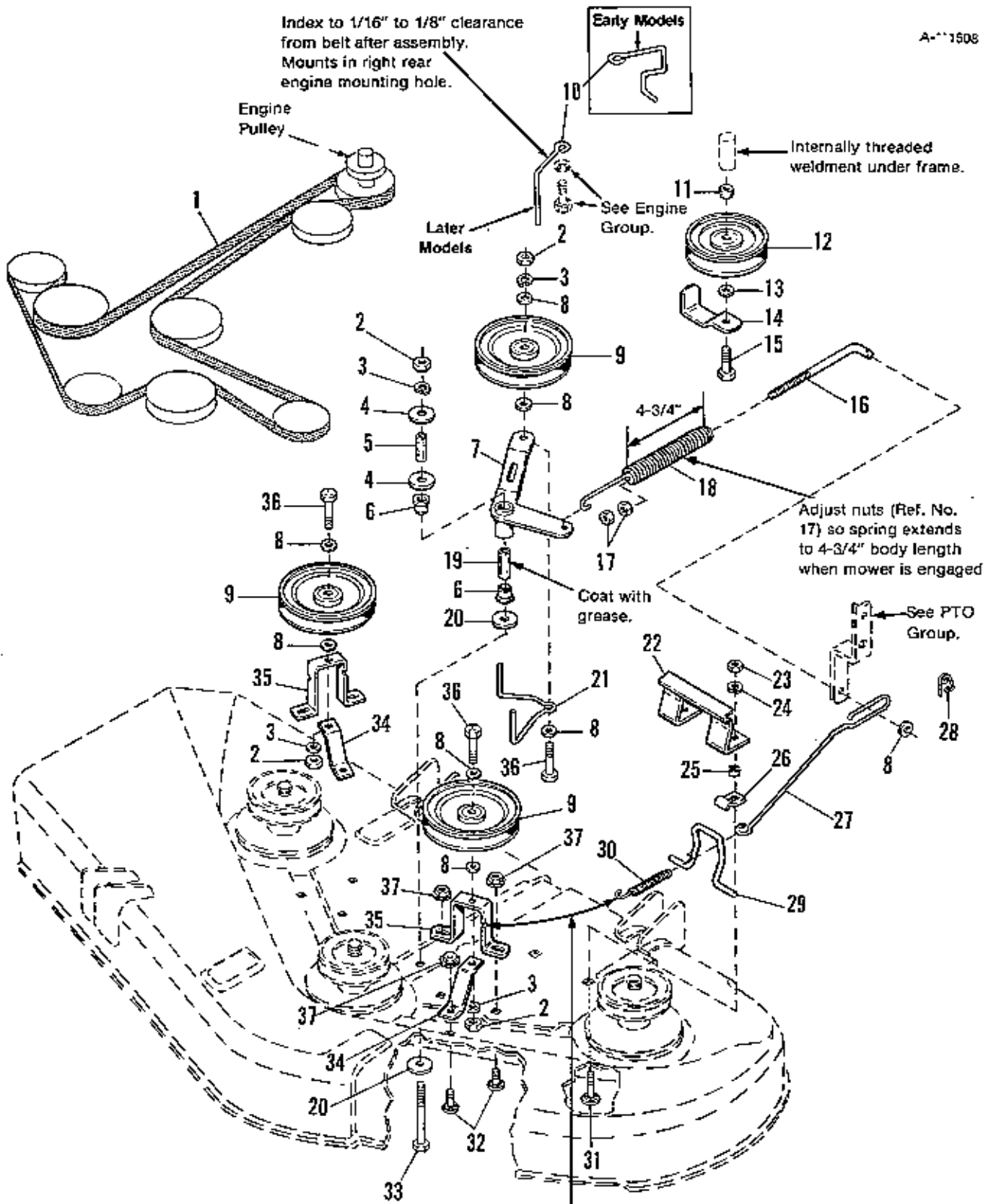
Ref. No.	Part No.	Qty.	Description
1	930222	3	CLIP, Wire
2	172436	3	CLIP, Wire
3	1700636	1	SWITCH, Seat
4	1921880	2	LOCKWASHER, Ext., 1/4
5	1926025	2	SCREW, Rd. Hd., 1/4-20 x 1/2
6	926918	1	CLAMP, Wire
7	916622	2	NUT, Hex, 1/4-20
8	916964	2	LOCKWASHER, 1/4
9	917377	2	WASHER, 1/4
10	1671158	1	CABLE ASSY. (Battery Ground)
11	1665872	1	STRAP, Battery
12	1667805	1	BRACE, Battery Hold Down
13	924856	1	SCREW, Taptite, 5/16 x 1/2 (Zinc Pltd.)
14	1685215	1	BATTERY, 12V
15	923341	2	CAP SCREW, Hex, 1/4-20 x 3/4
16	122023	1	COVER, Terminal
17	1672654	1	MODULE, DSI, Interlock
18	925592	2	SCREW, Taptite, 1/4-20 x 3/4, Pltd.
19	920263	2	NUT, Hex, 5/16-24
20	917356	2	LOCKWASHER, 5/16
21	1665238	1	CIRCUIT BREAKER
22	1688819	1	CABLE ASSY., Starter
23	1701526	1	CABLE ASSY., (Battery Solenoid)
24	1700751	1	SOLENOID
25	1931003	4	NUT, Hex, #5-40
26	1930947	4	LOCKWASHER, #5
27	1679932	2	MICRO SWITCH, Tandem
28	1917458	4	WASHER, #6
29	1960014	4	SCREW, Rnd. Hd., #5-40 x 1-1/2
30	932747	2	CABLE TY-WRAP
31	1676130	2	LAMP, Indicator
32	178280	1	SWITCH, Ignition (Incl. Ref. Nos. 33, 34 & 35.)
33	918906	1	LOCKWASHER, Int. 5/8
34	122234	1	NUT, 5/8-32
35	122203	1	KEYS & RING
36	1701285	1	WIRING HARNESS



NOTE: Use standard hardware torque spec. chart unless otherwise noted.

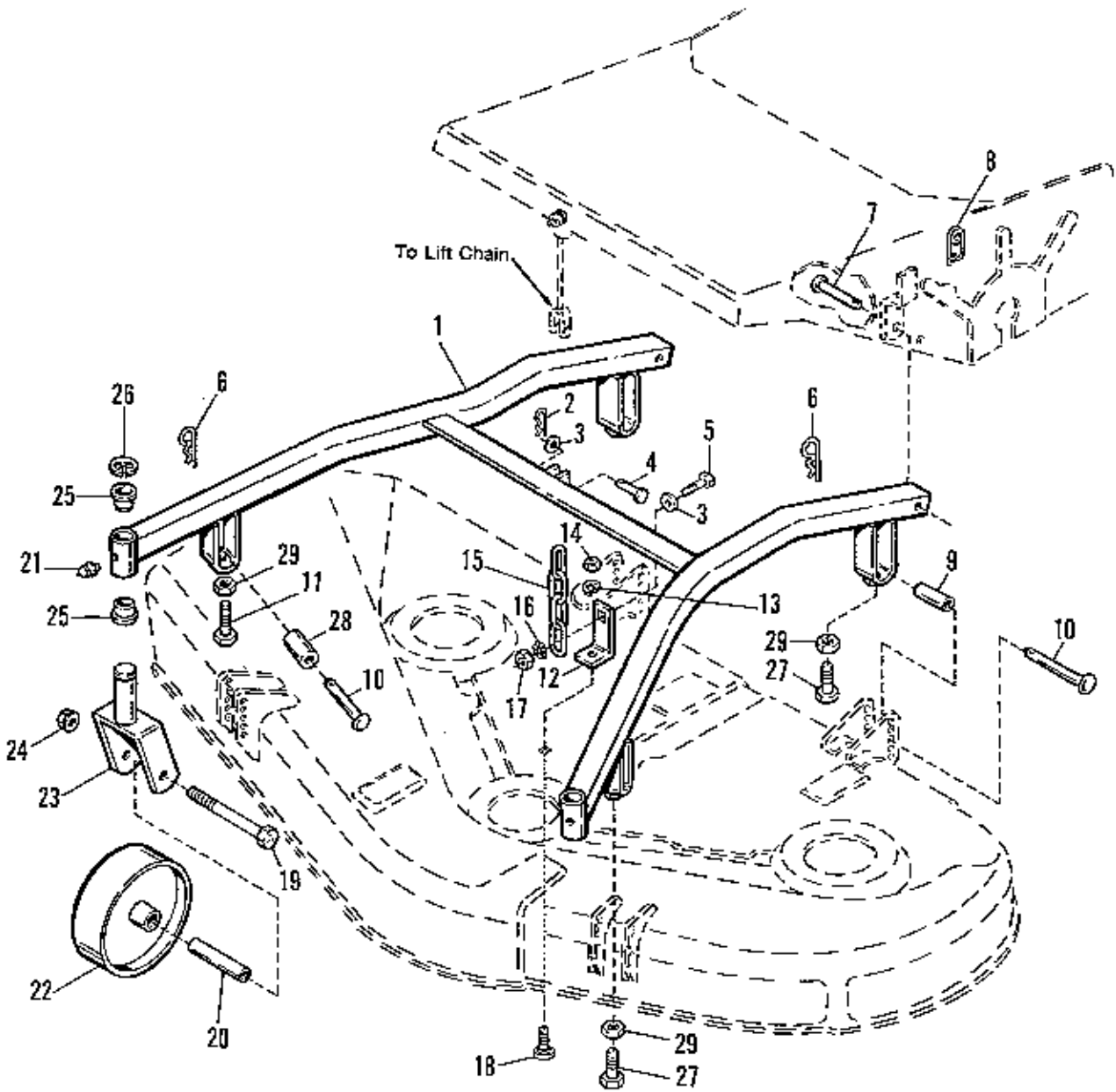
Ref. No.	Part No.	Qty.	Description
1	1678294	1	COVER ASSY., Belt, R.H.
2	1917421	1	NUT, Hex, Jam, 3/8-16
3	1922611	2	WASHER
4	1917372	5	NUT, 5/16-18
5	1917356	5	LOCKWASHER, 5/16
6	1917378	5	WASHER, 3/8
7	1927428	1	SCREW, Taptite, 1/4-20 x 3/8
8	1924009	4	CAPSCREW, Hex, 1/4-20 x 7/8
9	1678295	1	COVER ASSY., Belt, L.H.
10	1936723	3	CAPSCREW, Hex, 7/16-14 x 1-3/4
11	1918199	3	LOCKWASHER, 7/16
12	1933263	3	WASHER, 7/16
13	1678271	3	PULLEY ASSY., Arbor
14	1657969	3	SHIELD, Bearing, Upper
15	1655729	3	HOUSING, Top (Arbor)
16	108202	6	BEARING
17	1685245	3	SHAFT, Arbor (incl. Ref. No. 25)
18	1685251	3	SHAFT & BEARING ASSY. (incl. Ref. Nos. 16 & 25)
19	1655728	3	HOUSING, Bottom (Arbor)
20	1927477	3	CAPSCREW, Taptite, 5/16-18 x 1
21	1664847	15	SCREW, Taptite, 5/16-18 x 3/4
22	1700230	3	WASHER, Shim
23	1657588	3	SHIELD, Grass
24	1655777	3	ADAPTOR, Blade
25	1672132	3	COLLAR, Mower Arbor
26	1656147	3	BLADE
27	1656927	3	WASHER, Spline
28	1656916	3	WASHER, Spring
29	1923491	3	CAPSCREW, Hex, 7/16-14 x 1
30	1916950	4	NUT, 3/8-16
31	1916965	4	LOCKWASHER, 3/8
32	1931348	4	BOLT, Carriage, 3/8-16 x 3/4
33	1608331	2	CLIP, Baffle
34	1916622	8	NUT, 1/4-20
35	1916964	8	LOCKWASHER
36	1917377	4	WASHER, 1/4
37	1608135	1	BAFFLE
38	1923333	4	CARRIAGE BOLT, 1/4-20 x 5/8
39	1665709	1	BAFFLE, Discharge
40	108186	2	CLIP, Baffle
41	1700841	2	PLUG, Plastic
42	1685307	1	HOUSING ASSY., 42" Mower
43	1919381	1	WASHER, 5/16
44	1931335	1	CARRIAGE BOLT, 5/16-18 x 1
45	1665562	1	GUARD, Mower Discharge
46	1931333	1	CARRIAGE BOLT, 5/16-18 x 3/4
47	1656049	1	DEFLECTOR

A-1508



NOTE: Use standard hardware torque spec. chart unless otherwise noted.

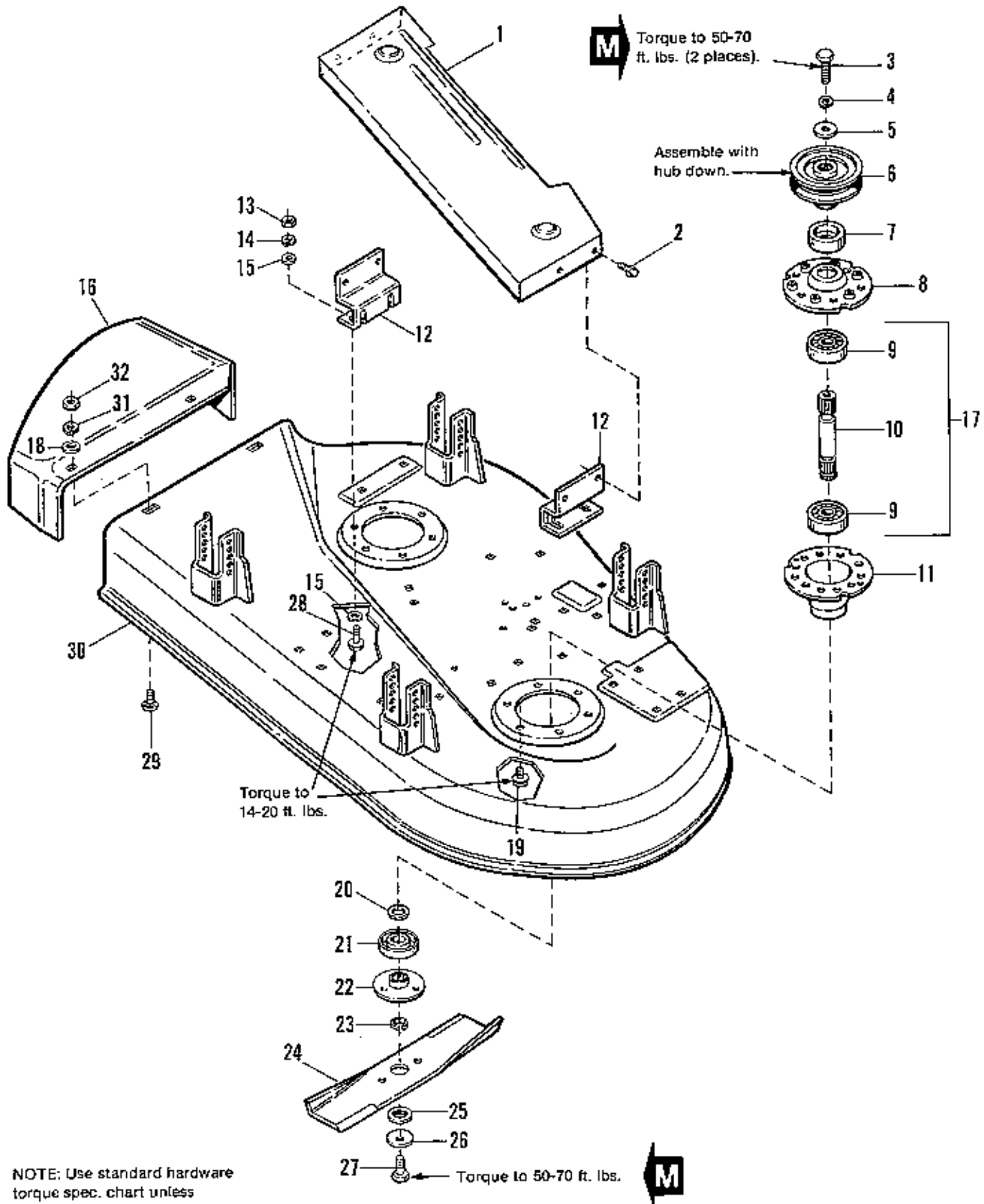
Ref. No.	Part No.	Qty.	Description
1	1678241	1	BELT
2	1916950	4	NUT, Hex, 3/8-16
3	1916965	4	LOCKWASHER
4	1922611	2	WASHER
5	1676088	1	SPACER
6	1663114	2	BUSHING
7	1678238	1	ARM ASSY., Clutch
8	1917642	8	WASHER, 5/16
9	171247	3	PULLEY, Idler
10	1678305	1	STOP, Belt (Early Models)
	1701921	1	STOP, Belt (Later Models)
11	1666294	1	SPACER
12	1685150	1	PULLEY ASSY.
13	1922755	1	WASHER, 3/8
14	1677135	1	GUIDE, Belt
15	1928635	1	SCREW, Taplite, 3/8-16 x 1-1/4
16	1678236	1	ROD, PTO
17	1920161	2	NUT, Hex, Jam, 5/16-18
18	1678237	1	SPRING, PTO Rod
19	1657242	1	SPACER
20	1924356	2	WASHER
21	1678405	1	STOP, Belt
22	1700178	1	BRACKET, Brake
23	1917372	2	NUT, Hex, 5/16-18
24	1917356	2	LOCKWASHER, 5/16
25	1666294	2	SPACER
26	1664004	2	CLIP
27	1678353	1	ROD, Brake
28	1918196	1	PIN, Spring
29	1700129	1	ROD, Brake
30	1700869	1	SPRING
31	1960223	2	CARRIAGE BOLT, 5/16-18 x 1-1/4
32	1931333	6	CARRIAGE BOLT, 5/16-18 x 3/4
33	1960246	1	CAPSCREW, Hex, 3/8-16 x 4-1/2
34	1678412	2	BRACE
35	1678240	2	SUPPORT, Idler
36	1921971	3	CAPSCREW, Hex, 3/8-16 x 1-3/4
37	1927557	6	NUT, Flange Whizlock, 5/16-18



NOTE: Use standard hardware torque spec. chart unless otherwise noted.

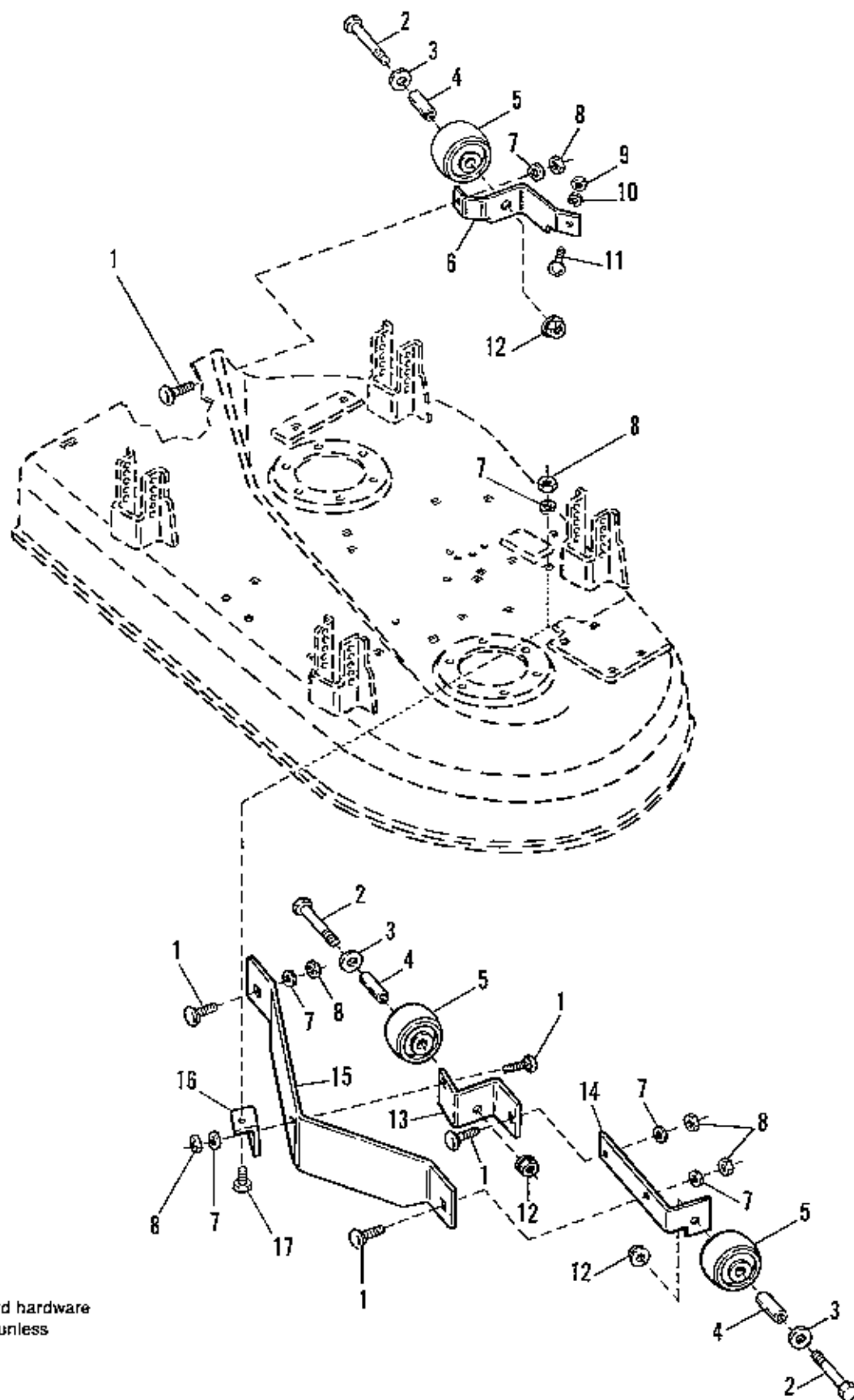


Ref. No.	Part No.	Qty.	Description
1	1678247	1	ARM ASSY.
2	1960221	1	PIN, Quick
3	1921319	2	WASHER, 1/4
4	1960296	1	PIN, Lift Cable
5	1923341	1	CAPSCREW, Hex, 1/4-20 x 3/4
6	1918196	4	PIN, Quick
7	105249	2	PIN, Hitch
8	176012	2	PIN, Safety
9	1678291	2	SPACER, Rear
10	1678434	4	PIN
11	1929116	1	CAPSCREW, Hex, 3/8-16 x 2
12	1678339	1	BRACKET, Lift
13	1917356	1	LOCKWASHER, 5/16
14	1917372	1	NUT, Hex, 5/16-18
15	1678337	1	CHAIN, Lift
16	1921880	1	LOCKWASHER, Ext., 1/4
17	1916622	1	NUT, Hex, 1/4-20
18	1931333	1	CARRIAGE BOLT, 5/16-18 x 3/4
19	1960286	2	CAPSCREW, Hex, 1/2-13 x 3-1/2
20	1678304	2	SPACER, Wheel
21	1921133	4	FITTING, Lube, 1/4
22	1702483	2	WHEEL
23	1678092	2	YOKE ASSY., Wheel
24	1930644	2	NUT, Lock, 1/2-13
25	176440	4	BUSHING
26	927794	2	E-RING
27	1921974	3	CAPSCREW, Hex, 3/8-16 x 1-1/2
28	1678292	2	SPACER, Front
29	1917421	4	NUT, Hex, Jam, 3/8-16



Ref. No.	Part No.	Qty.	Description
1	1700398	1	COVER, Belt
2	1927428	4	SCREW, Taptite, 1/4-20 x 3/8
3	1936723	2	CAPSCREW, Hex, 7/16-14 x 3/4
4	1918199	2	LOCKWASHER
5	1933263	2	WASHER
6	1700271	2	PULLEY ASSY., Arbor
7	1657969	2	SHIELD, Upper Grass
8	1655729	2	HOUSING, Top
9	108202	4	BEARING
10	1685245	2	SHAFT (Incl. Ref. No. 23)
11	1655728	2	HOUSING, Bottom
12	1700399	2	BRACKET, Belt Cover
13	1917372	4	NUT, Hex, 5/16-18
14	1917356	4	LOCKWASHER, 5/16
15	1917642	8	WASHER, Plain, 3/8
16	1702190	1	DEFLECTOR
17	1685251	2	SHAFT & BEARING ASSY. (Incl. Ref. Nos. 9, 10 & 23.)
18	1922755	2	WASHER, Plain, 3/8
19	1664847	8	SCREW, Taptite, 5/16-18 x 5/8
20	1700230	2	WASHER
21	1657588	2	SHIELD, Lower Grass
22	1655777	2	ADAPTOR, Blade
23	1672132	2	COLLAR, Mower Arbor
24	1657589	2	BLADE
25	1656927	2	WASHER, Spline
26	1656916	2	WASHER, Spring
27	1923491	2	CAPSCREW, Hex, 7/16-14 x 1
28	1927477	4	SCREW, Taptite, 5/16-18 x 1
29	1931348	2	CARRIAGE BOLT, 3/8-16 x 3/4
30	1685320	1	HOUSING ASSY., 36" Mower (Incl. Decals)
31	1916965	2	LOCKWASHER, 3/8
32	1916950	2	NUT, Hex, 3/8-16

A-1618

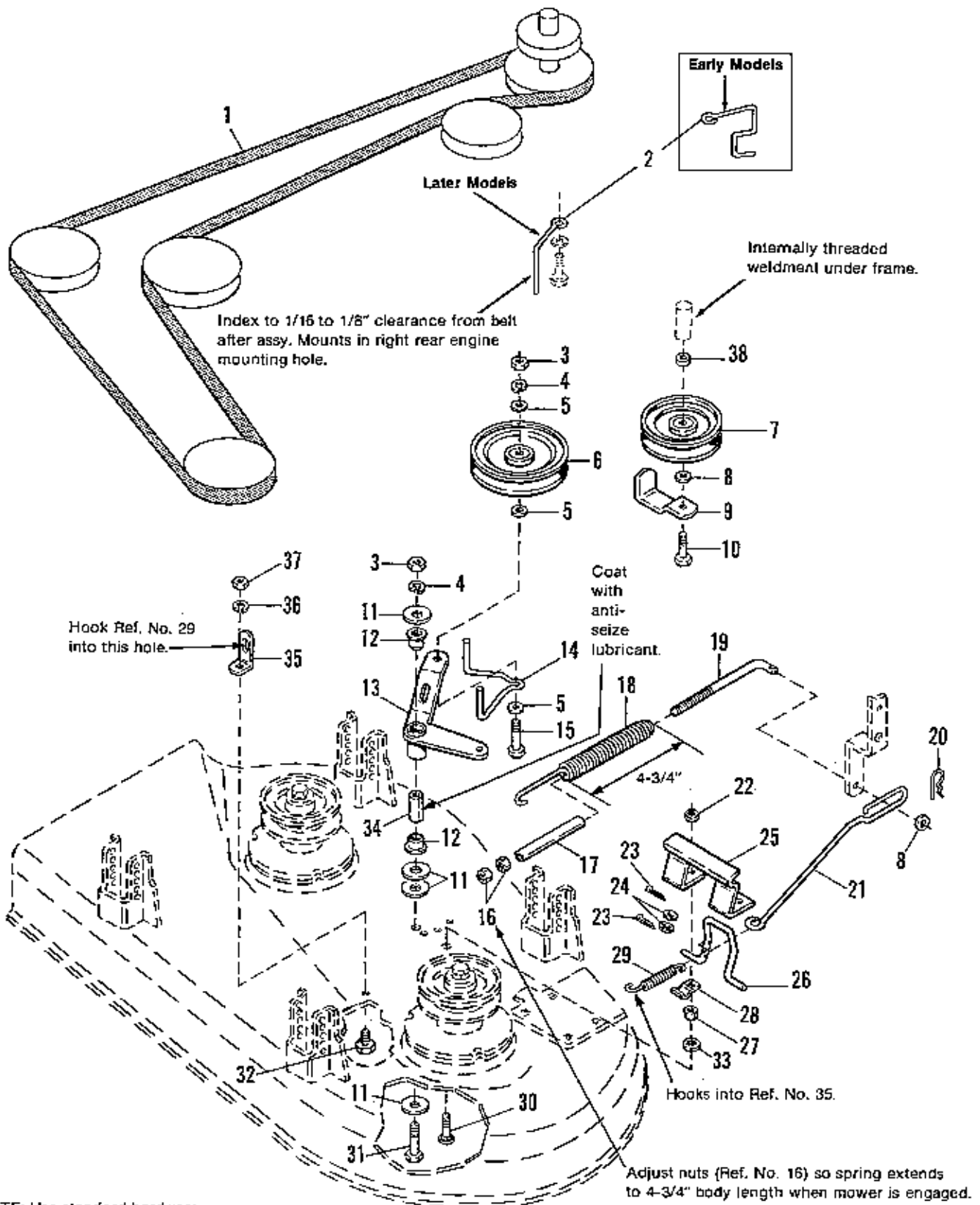


NOTE: Use standard hardware torque spec. chart unless otherwise noted.

Ref. No.	Part No.	Qty.	Description
1	1931334	5	BOLT, Carriage, 5/16-18 x 7/8
2	1960245	3	CAPSCREW, Hex, 1/2-13 x 3
3	1926192	3	WASHER, 9/16 x 1-1/4
4	1702189	3	SPACER
5	1702144	3	GAUGE, Roller
6	1702137	1	BRACKET, Roller, Right
7	1917356	6	LOCKWASHER, 5/16
8	1917372	6	NUT, Hex, 5/16-18
9	1916622	1	NUT, Hex, 1/4-20
10	1916964	1	LOCKWASHER, 1/4
11	1931317	1	BOLT, Carriage, 1/4-20 x 3/4
12	1677715	3	NUT, Flange, Centerlock, 1/2-13
13	1702138	1	BRACKET, Roller, Center
14	1702143	1	BRACKET, Roller, Left
15	1671577	1	BAFFLE
16	1668500	1	BRACKET, Mower to Baffle
17	1921332	1	CAPSCREW, Hex Hd., 5/16-18 x 3/4

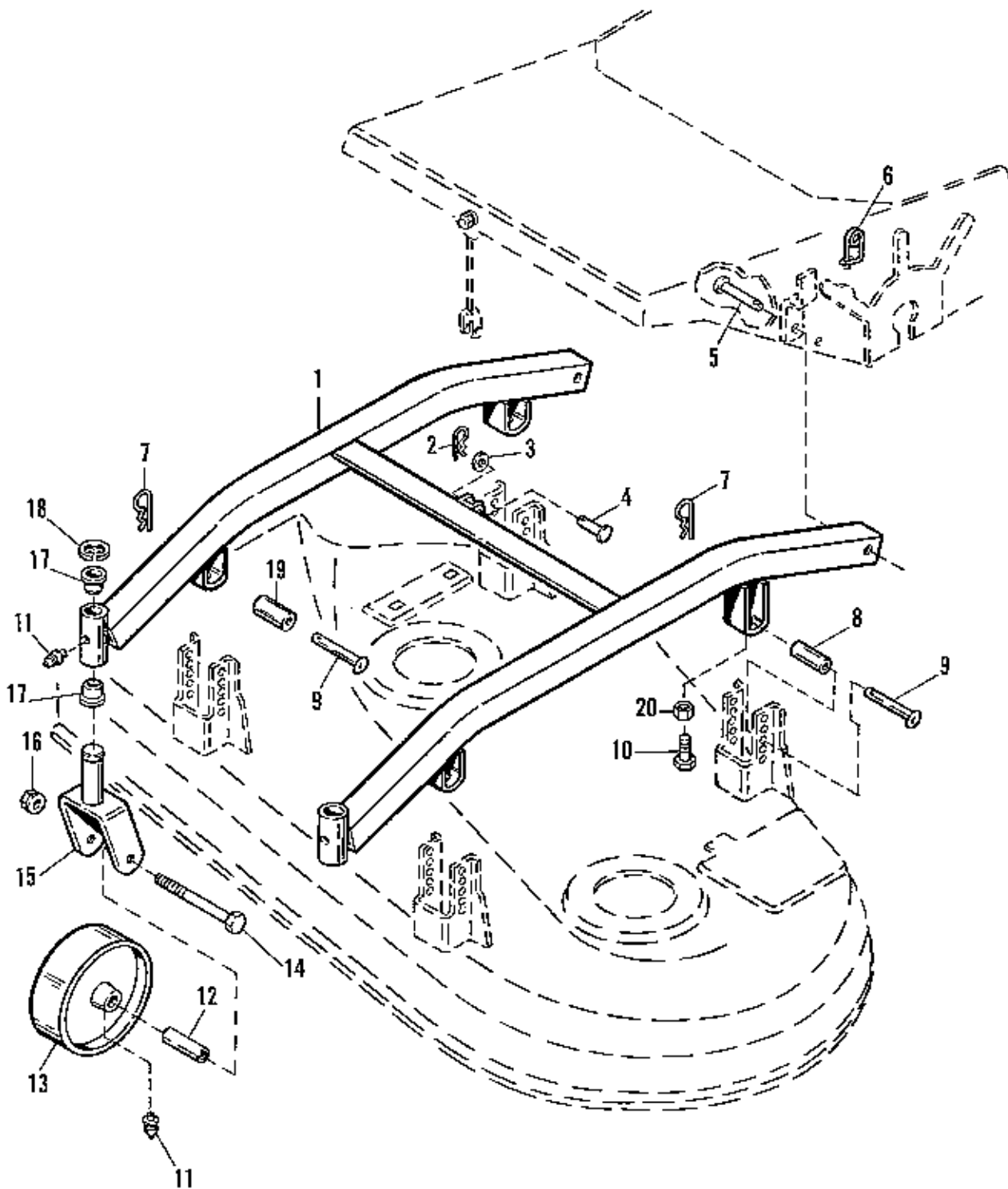
**NOTE: For early model SunRunners without gauge wheels, all above parts (except Ref. No. 15) can be ordered as a kit, part number 1685346.**

A-1511



NOTE: Use standard hardware torque spec. chart unless otherwise noted.

Ref. No.	Part No.	Qty.	Description
1	1664644	1	BELT, Drive
2	1700444	1	GUIDE, Belt (Early Models)
	1701921	1	GUIDE, Belt (Later Models)
3	1916950	2	NUT, Hex, 3/8-16
4	1916965	2	LOCKWASHER, 3/8
5	1917642	3	WASHER, 3/8 x 7/8
6	171247	1	PULLEY, Idler, Mower
7	1685150	1	PULLEY, Idler, Engine
8	1922755	2	WASHER
9	1677135	1	GUIDE, Belt
10	1928635	1	SCREW, Taptite, 3/8-16 x 1-1/4
11	1924356	4	WASHER, 13/32 x 1-1/2
12	1663114	2	BUSHING
13	1678238	1	ARM ASSY., Clutch
14	1678405	1	STOP, Belt
15	1921971	1	CAPSCREW, Hex Hd., 3/8-16 x 1-3/4
16	1920161	2	NUT, Hex Jam, 5/16-18
17	1700445	1	SPACER
18	1678237	1	SPRING
19	1678236	1	ROD, Mower
20	1918196	1	CLIP, Hair Pin
21	1700332	1	ROD, Brake
22	1928698	2	NUT, Hex Centerlock Jam, 5/16-18
23	1918447	2	PIN, Cotter
24	1960103	2	WASHER, 3/8
25	1700178	1	BRACKET, Brake
26	1700717	1	ROD, Brake
27	1663956	2	SPACER
28	1664004	2	CLIP
29	1700869	1	SPRING
30	1960223	2	CARRIAGE BOLT, 5/16-18 x 1-1/4
31	1923903	1	CAPSCREW, Hex Hd., 3/8-16 x 3
32	1923341	1	CAPSCREW, 1/4-20 x 3/4
33	933988	2	NUT, Retainer, 5/16
34	1657242	1	SPACER
35	108186	1	CLIP
36	1916964	1	LOCKWASHER, 1/4
37	1916622	1	NUT, Hex, 1/4-18
38	1666294	1	SPACER

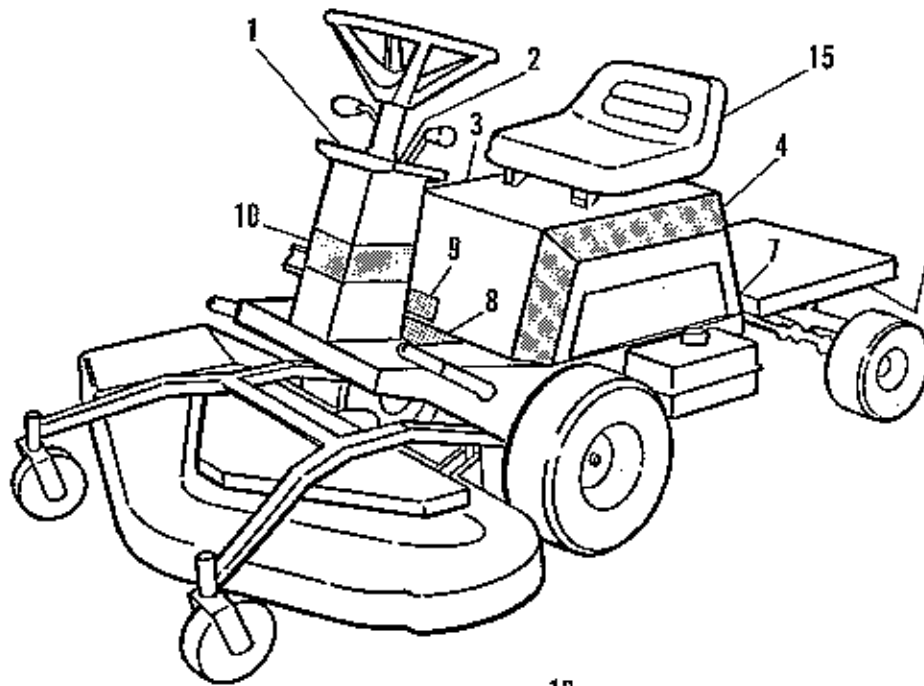


NOTE: Use standard hardware torque spec. chart unless otherwise noted.

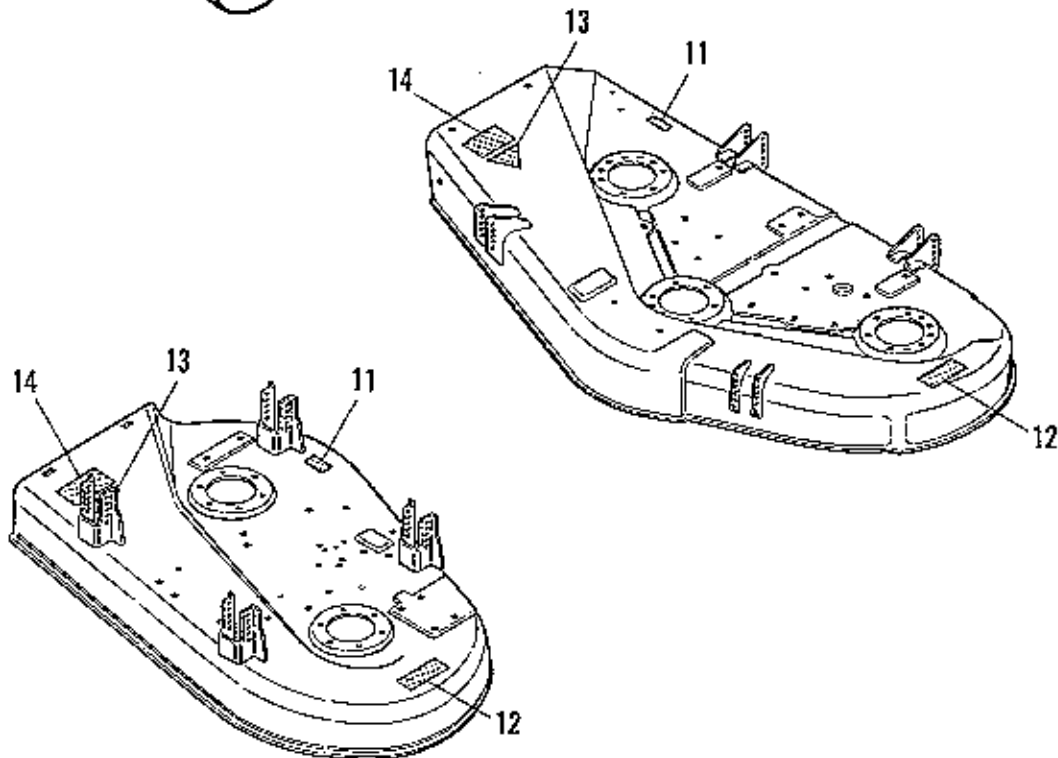


Ref. No.	Part No.	Qty.	Description
1	1700251	1	SUPPORT ASSY., 36" Mower
2	1960221	1	PIN, Quick
3	1921319	1	WASHER, 1/4
4	1960296	1	PIN, Lift Cable
5	105249	2	PIN, Hitch
6	176012	2	PIN, Safety
7	1918196	4	PIN, Quick
8	1678291	2	SPACER, Rear
9	1678434	4	PIN
10	1921210	4	CAPSCREW, Hex Hd., 3/8-16 x 1
11	1921133	2	FITTING, Lube
12	1678304	2	SPACER, Wheel
13	1702483	2	WHEEL
14	1960286	2	CAPSCREW, Hex Hd., 1/2-13 x 3-1/2
15	1678092	2	YOKE ASSY.
16	1930644	2	LOCKNUT, 1/2-13
17	176440	4	BUSHING
18	927794	2	E-RING
19	1678292	2	SPACER, Front
20	1917421	4	NUT, Hex, Jam, 3/8-16

A-11506



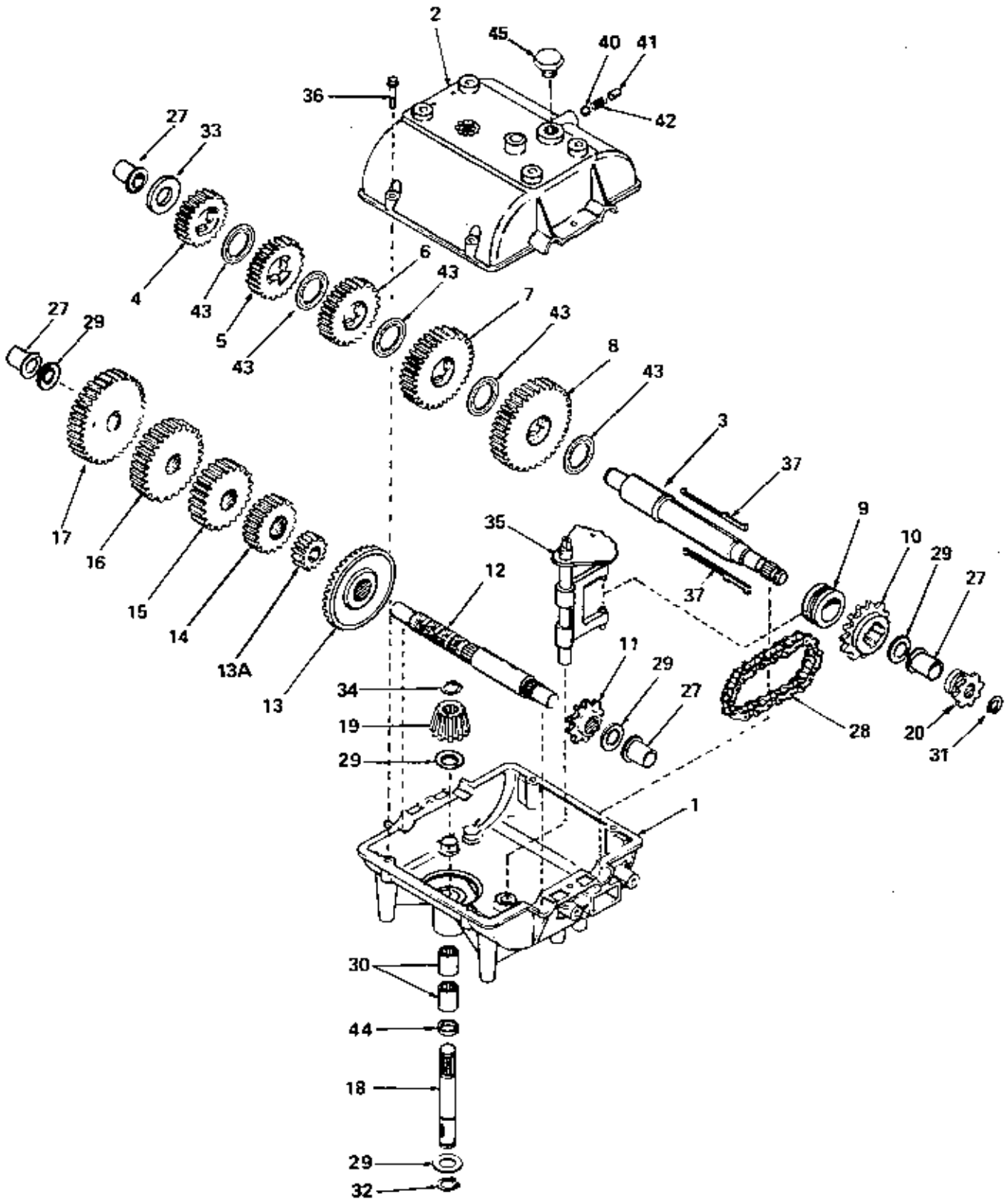
Ref. Nos. 5 & 6  
located on underside  
of platform.



Ref. No.	Part No.	Qty.	Description
1	1678431	1	DECAL, Shift Pattern
2	1678430	1	DECAL, Instrument Panel
3	1678457	1	DECAL, Side, R.H. (1691198 & 1691330 only)
	1701578	1	DECAL, Side, R.H. (1691457 & 1691458 only)
4	1678458	1	DECAL, Side, L.H. (1691198 & 1691330 only)
	1701579	1	DECAL, Side, L.H. (1691457 & 1691458 only)
5	1702655	1	DECAL, Drive Belts
6	1700226	1	DECAL, Stability
7		1	I.D. PLATE (Not Serviced)
8	1678460	1	DECAL, Caution & Controls
9	1678463	1	DECAL, Model No. 12 HP
	1700461	1	DECAL, Model No. 8 HP
10	1678459	1	DECAL, Steering Column
11		1	I.D. Plate (Not Serviced)
12	1676921	1	DECAL, Danger
13		1	DECAL, OPEI (Not Serviced)
14	1676922	1	DECAL, Danger
15	1664935	1	DECAL, <i>Simplicity</i>
	<b>Not Shown</b>		
	1700805	1	DECAL, "No Riders" (Located on back upper right hand corner of seat deck.)

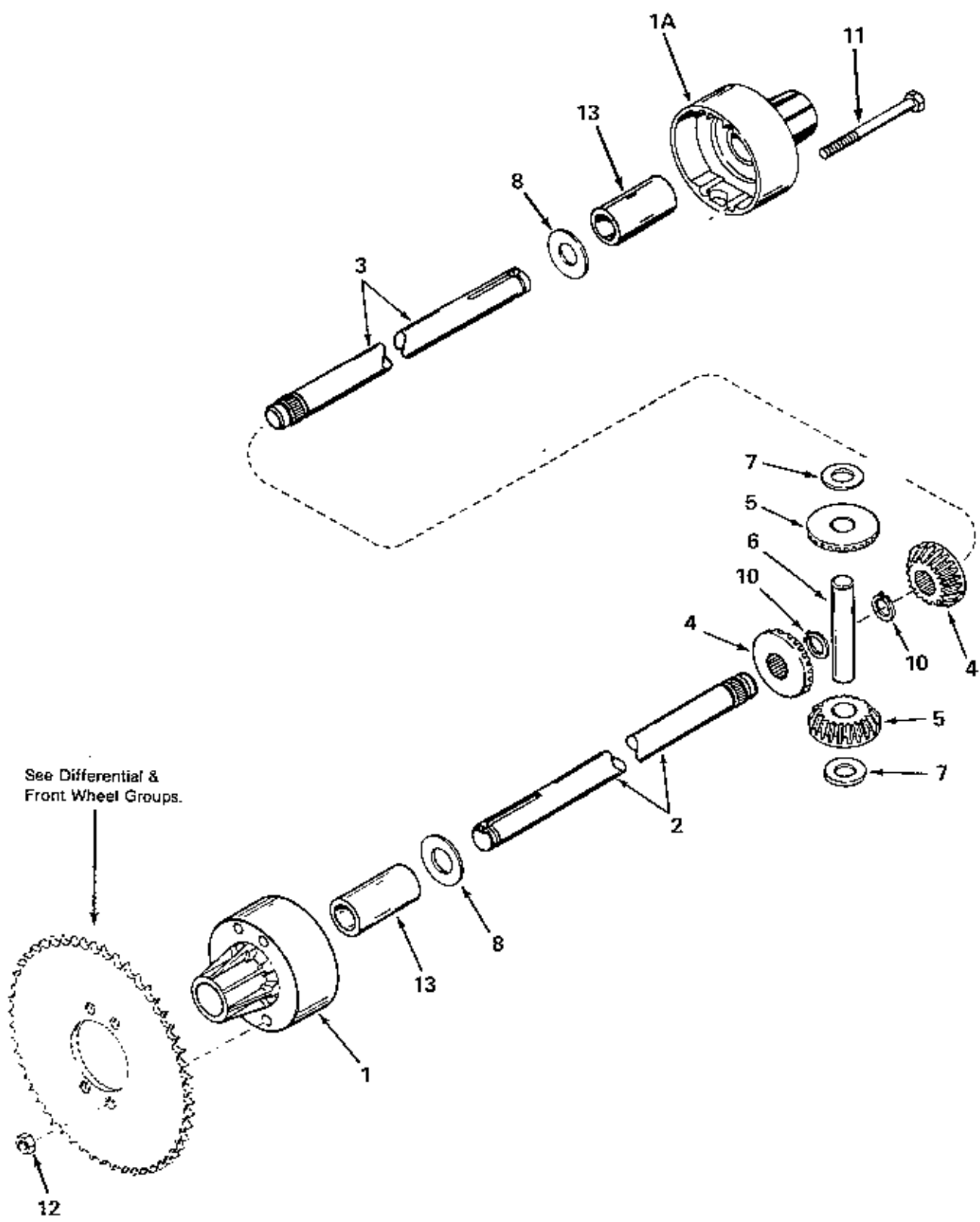
**Touch-up Paint**

Paint Color	Spray Cans	Quarts	Case of 12 Spray Cans	Touch-Up Daubers 12/ Carton	
Classic Orange	1685558	1685560	1685559	1685562	} 6 Classic Orange 6 White
White	103049	1685032	1685178	Not Avail.	
Black	1685551	Not Avail.	1685552	Not Avail.	



Ref. No.	Part No.	Qty.	Description
1	770061	1	CASE, Transmission
2	772083	1	COVER, Transmission
3	776232	1	SHAFT, Output
4	778121A	1	GEAR, Spur (20 teeth)
5	778122A	1	GEAR, Spur (22 teeth)
6	778123A	1	GEAR, Spur (25 teeth)
7	778124A	1	GEAR, Spur (30 teeth)
8	778125	1	GEAR, Spur (35 teeth)
9	784266	1	COLLAR, Shift
10	786083	1	SPROCKET, (18 teeth)
11	786082	1	SPROCKET, (9 teeth)
12	776134	1	SHAFT, Counter
13	778137A	1	GEAR, Bevel (42 teeth)
13A	778136	1	GEAR, Spur (15 teeth)
14	778126A	1	GEAR, Spur (20 teeth)
15	778127A	1	GEAR, Spur (25 teeth)
16	778128A	1	GEAR, Spur (28 teeth)
17	778129A	1	GEAR, Spur (30 teeth)
18	776199	1	SHAFT, Input
19	778113A	1	BEVEL PINION, Input
20	786047	1	SPROCKET (8 teeth)
27	780105A	4	BUSHING, Flanged
28	786081	1	CHAIN, Roller (No. 41 chain, 24 links)
29	780072	5	WASHER, Thrust
30	780086	2	BEARING, Needle
31	792072	1	RING, Retaining
32	792035	1	RING, Retaining
33	780109	1	WASHER
34	788040	1	RING, Retaining
35	784267	1	ROD & FORK ASSY., Shift
36	792073	4	SCREW, Flanged Hex Hd., Thread Forming, 1/4-20 x 1-1/4
37	792089A	2	KEY
40	792077	1	BALL, Steel, 5/16"
41	792078	1	SCREW, Set, 3/8-16 x 3/8
42	792079	1	SPRING
43	780108	5	WASHER, Thrust
44	792001	1	"O" RING
45	792074	1	PLUG

**NOTE: Above listed parts must be ordered from your local Tecumseh/Peerless distributor. Service, warranty and parts for Peerless products are not handled by Simplicity.**



Ref. No.	Part No.	Qty.	Description
1	774344	1	HOUSING, Differential Carrier (Incl. Ref. No. 13)
1A	774345	1	HOUSING, Differential Carrier (Incl. Ref. No. 13)
2	774704	1	AXLE (8-63/64" Long)
3	774705	1	AXLE (22-9/64" Long)
4	778221	2	GEAR, Bevel
5	778068	2	GEAR, Pinion
6	786040	1	PIN, Drive
7	780096	2	WASHER, Thrust
8	780001	2	WASHER
10	792018	2	RING, Snap
11	792044	4	SCREW, Flanged Hex Hd., 5/16-18 x 3-15/16
12	792042	4	NUT, Lock, 5/16-18
13	780077	2	BUSHING

**NOTE:** Above listed parts must be ordered from your local Tecumseh/Peerless distributor. Service, warranty and parts for Peerless products are not handled by Simplicity.












**TORQUE SPECIFICATIONS FOR  
STANDARD MACHINE HARDWARE  
TOLERANCE  $\pm 20\%$**




SIZE	SAE GRADE #2		SAE GRADE #5		SAE GRADE #8	
						
8-32	19	In. Lbs.	30	In. Lbs.	41	In. Lbs.
8-36	20	"	31	"	43	"
10-24	27	"	43	"	60	"
10-32	31	"	49	"	68	"
1/4-20	66	"	8	Ft. Lbs	12	Ft. Lbs.
1/4-28	76	"	10	"	14	"
5/16-18	11	Ft. Lbs	17	"	25	"
5/16-24	12	"	19	"	25	"
3/8-16	20	"	30	"	45	"
3/8-24	23	"	35	"	50	"
7/16-14	30	"	50	"	70	"
7/16-20	35	"	55	"	80	"
1/2-13	50	"	75	"	110	"
1/2-20	55	"	90	"	120	"
9/16-12	65	"	110	"	150	"
9/16-18	75	"	120	"	170	"
5/8-11	90	"	150	"	220	"
5/8-18	100	"	180	"	240	"
3/4-10	160	"	260	"	386	"
3/4-16	180	"	300	"	420	"
7/8-9	140	"	400	"	600	"
7/8-14	155	"	440	"	660	"
1-8	220	"	580	"	900	"
1-12	240	"	640	"	1,000	"

**NOTE:**

1. These torque values are to be used for all *Simplicity* hardware excluding: locknuts, self-tapping screws, thread forming screws, sheet metal screws and socket head setscrews.
2. Recommended seating torque values for locknuts:
  - a. For prevailing torque locknuts - use 65% of grade 5 torques.
  - b. For flange whizlock nuts (and screws) - use 135% of grade 5 torques.
3. Unless otherwise noted on assembly drawings all torque values must meet this specification.

**BOLT HEAD MARKING**

**S.A.E. GRADE:**

- 2 
- 5 
- 8 

Simplicity Manufacturing, Inc.  
500 N. Spring Street  
P.O. Box 997  
Port Washington, WI 53074-0997