

REG & 3100 SERIES

8 HP Rider
Mfg. No. 1691106
Mfg. No. 1691551

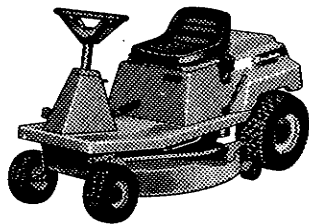
10 HP Rider
Mfg. No. 1691108
Mfg. No. 1691535
Mfg. No. 1691537

30" Mulching Mower
Mfg. No. 1691993

30" Mower
Mfg. No. 1690530
Mfg. No. 1691437

36" Mower
Mfg. No. 1690891

Attachments & Accessories



PARTS MANUAL

Simplicity[®]

Product Identification:

When ordering parts, keep your products serial number and manufacturer's number in mind. Variations may occur in a part between early and later model products, causing the product serial number to be listed in the parts description whenever these variations occur.

Record your I.D. numbers here for quick, future reference.

Product Mfg. No. _____ S/N _____ Mower Mfg. No. _____ S/N _____

Attention:

Standard torques appear in a chart at the end of the manual, while important individual torques are given on specific parts drawings.

CRITICAL and MAJOR notations point out important facts or instructions which relate to personal safety and proper machine operation. Any CRITICAL notation **C** which may appear in this book, pinpoints characteristics which, if not properly followed, can create a safety hazard. Any MAJOR notation **M** which may appear in this book, marks characteristics which, if not properly followed, may result in operating failure, shortened product life, or greatly reduced quality of the unit. For your convenience, assembly notes are included in parts drawings to assist in repair and assembly of unit.

OILS - SPECIFICALLY BLENDED OF HIGH QUALITY BASE OILS & ADDITIVES.

Special Worm Gear Oils: Required for protection of brass gears and mating parts.

• **Warm Weather Worm Gear Oil** for use in tillers w/worm drive. **Quart, Part #118065; Case of 12 Quarts, Part #1685100.**

• **Cold Weather Worm Gear Oil** for snowthrowers with worm gear drive. **8 Oz. Bottle, Part #1704636, Case of 12 8 Oz. Bottles, Part #1685406.**

Multi-Purpose Hydraulic/Transmission Oil for use in most hydraulic applications, and hydrostatic and gear transmissions. Specific Simplicity applications: All hydrostatic transmissions, all bevel gear cases, all Broadmoor, Landlord, Sovereign, 4000, 6000, 6100, 6200, & 7000 Series transmissions (except Peerless Gear Transmissions). (Not used in SunStar tractor transmission.) **Case of 12 Quarts, Part #1685516, 2 1/2 Gallon Container, Part #1685539.**

SAE 5W 30 SF/CD Cold Weather Engine Oil for use in all four cycle and diesel engines at 30° temp. and under. **Case of 12 Quarts, Part #1685576.**

SAE 15W40 SF/CD Engine Oil for gas and diesel engines, warm weather; see engine manufacturer recommendations. **Case of 12 Quarts, Part #1685554.**

GREASE GUN KIT has 12" flexible hose to get into tight spots with ease. Kit contains: gun and 1-8 Oz. tube of grease. **Part #1685510.** For replacement tube, order **Part #103077.**

PNEUMATIC TIRE SEAL seals all leaks including bead leaks and punctures up to 3/16 inch diameters. Prevents flats for tread life of tire. Available in following amounts.

Case of 12 - 11 Oz. Tubes	1685537
Case of 24 - 11 Oz. Tubes	1685525
5 Gallon Pail	1685527

DESIGNER SEAT COVERS are double stitched, easy care vinyl. Keeps new seats new, makes worn seats look new.

Small Seat Cover w/Pocket, Part #1685540. Fits all Rear Engine Riders, Broadmoor, 3000, 4000, 5000, 5100, SunRunner & FC Series Tractors.

TOUCH-UP PAINT keeps equipment in showroom condition.

Spray Cans	Quarts	Daubers-12 Per Ctn.
<i>For Products Built After 8/1/89.</i>		
"Deep Orange" 13 Oz. Can 1685611 Case 12 Cans 1685614	1685612	1685616 Mixed 6 Deep Or., 6 White 1/2 Oz. Bottles
"Textured Black" 13 Oz. Can 1685610 Case 12 Cans 1685618	1685617	N/A
<i>For Products Built 7/1/88 thru 8/1/89.</i>		
"Powder Orange" 13 Oz. Can 1685589 Case 12 Cans 1685590	1685591	1685593 Mixed 6 Powder Or., 6 White 1/2 Oz. Bottles
"Black" 13 Oz. Can 1685551 Case 12 Cans 1685552	N/A	N/A
<i>For Products Built 12/1/85 thru 7/1/88.</i>		
"Classic Orange" 13 Oz. Can 1685558 Case 12 Cans 1685559	1685560	1685562 Mixed 6 Classic Or., 6 White 1/2 Oz. Bottles
"Black" 13 Oz. Can 1685551 Case 12 Cans 1685552	N/A	N/A
<i>For 1977 thru Early Model Year 1985 Products</i>		
"Simplicity Orange" 13 Oz. Can 103262 Case 12 Cans 1685179	1685037	1685520 Mixed 6 Simpl. Or., 6 White 1/2 Oz. Bottles
<i>All Models</i>		
"White" 13 Oz. Can 103049 Case 12 Cans 1685178	1685032	See Above

Consult decal on equipment for proper orange color.

Large Seat Cover w/Pocket, Part #1685541. Fits all Landlord, Sovereign, Baron, 5200, LTH, 6000, 6500, GTH, 7000 & 9000 Series Tractors.

SunStar Seat Cover, Part #1685577. Fits all SunStar Tractors.

Extend Equipment Life - Use Only Genuine Simplicity Parts

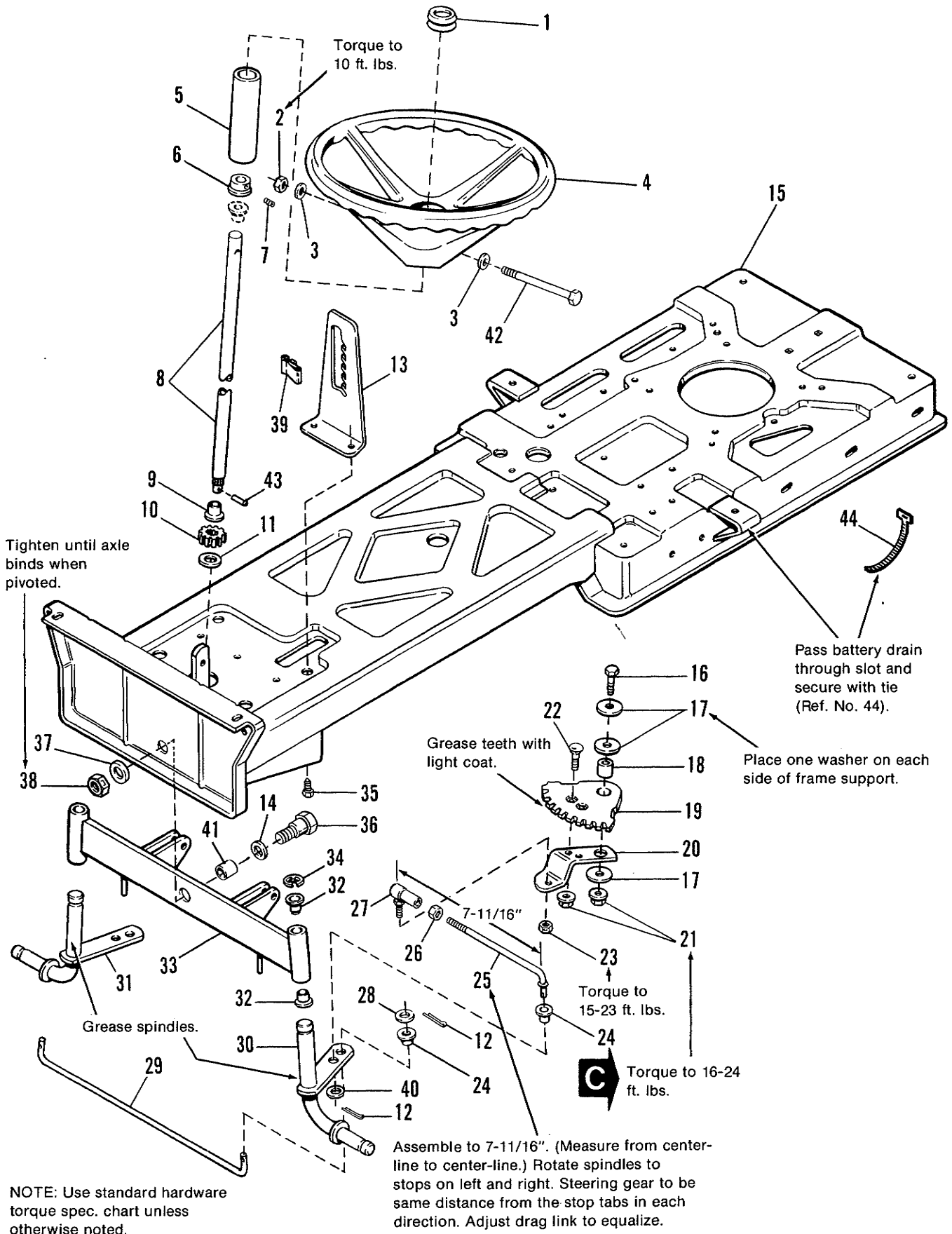
Table of Contents

FRAME, FRONT AXLE & STEERING GROUP	4
Frame Assy., Steering Shaft & Wheel, Quadrant, Spindles, Drag Link, Steering Gear	
ENGINE & DRIVE GROUP	
Drive Section	6
Shift Rod, Transmission & Supports, Engine Pulley Assy., Idle Pulley, Clutch Arm Assy.	
Differential Section	8
Differential Axle Assy., Heat Deflector, Axle Supports, Sprocket Brake Drum	
Engine Section	10
Heat Shield Assys., Cylinder Head Strap, Throttle Control, Fuel Tank Assy., Gas Cap	
BODY & STEERING COLUMN GROUP	12
Lift Lever, Steering Column Assy., Front Body, Foot Mats	
SEAT GROUP (Mfg. No. 1691106, 1691108)	14
Inlet Duct, Foam Seal, Cover Assy., Seat Switch, Seat & Body Assy.	
SEAT GROUP (Mfg. No. 1691551, 1691535, 1691537)	16
Inlet Duct, Foam Seal, Cover Assy., Seat Switch, Seat & Body Assy.	
BRAKE & CLUTCH GROUP	18
Brake Arm, Brake Band, Brake Rod, Rod Guide Assy., Brake Pedal	
P.T.O. GROUP	20
Rod Guide Assy., PTO Rod, PTO Idler Arm Assy., PTO Lever Assy.	
ELECTRICAL GROUP (Early Models Mfg. No. 1691106, 1691108)	22
Wiring Harness, Battery Solenoid, Circuit Breaker, PTO Interlock Switch, Cables	
ELECTRICAL GROUP (Later Models Mfg. No. 1691106, 1691108 & Early Models Mfg. No. 1691551, 1691535, 1691537)	24
Wiring Harness, Battery Solenoid, Circuit Breaker, PTO Interlock Switch, Cables	
ELECTRICAL GROUP (Later Models 1691551, 1691535, 1691537)	26
Wiring Harness, Battery Solenoid, Circuit Breaker, PTO Interlock Switch, Cables	
WHEEL & TIRE GROUP	28
Front Wheel & Tire Assy., Valve Stem, Tube, Wheel Bearings	
30" MOWER DECK & ARBOR GROUP	30
Pulley Assy., Arbors, Mower Brake, Blade, Brake Rod, Belt Stop, Mower Deck, Small Roller	
30" LINKAGE & ROLLER SUPPORT GROUP	32
Adjusting Arms, Support Arm Assy., Roller, Eye Bolts, Roller Support Assy.	
30" MISCELLANEOUS GROUP	34
Belt, Deflector Assy., Decal	

36" MOWER DECK & ARBOR GROUP	36
Drive Pulley, Arbors, Mower Deck, Deflector, Blades, Baffles, Belt Guide	
36" LINKAGE & ROLLER SUPPORT GROUP	38
Rollers, Wheel Supports, Mower Brake, Support Arm Assy., Brackets	
36" MISCELLANEOUS GROUP	40
Belt, Lift Rod, Decals	
DECAL GROUP	42
TECUMSEH TRANSMISSION MODEL 740	44
PEERLESS DIFFERENTIAL MODEL 100	46
PEERLESS DIFFERENTIAL MODEL 100-009 & 100-099B	48

ATTACHMENTS & ACCESSORIES

1690822	DELUXE GRASS CATCHER (30")	
1690820	DELUXE GRASS CATCHER (36")	
	Cover, Bag & Support Group	50
	Tube & Blade Group	52
	Shield & Misc. Group	54
1600236	DUMP CART	56
1691789	TWIN BAG GRASS CATCHER (30")	
1691790	TWIN BAG GRASS CATCHER (36")	
	Cover & Bag Group	58
	Adapter & Tube Group (30")	60
	Adapter & Tube Group (36")	62
	Hitch Group	64
STANDARD TORQUE SPECIFICATIONS		Inside Back Cover



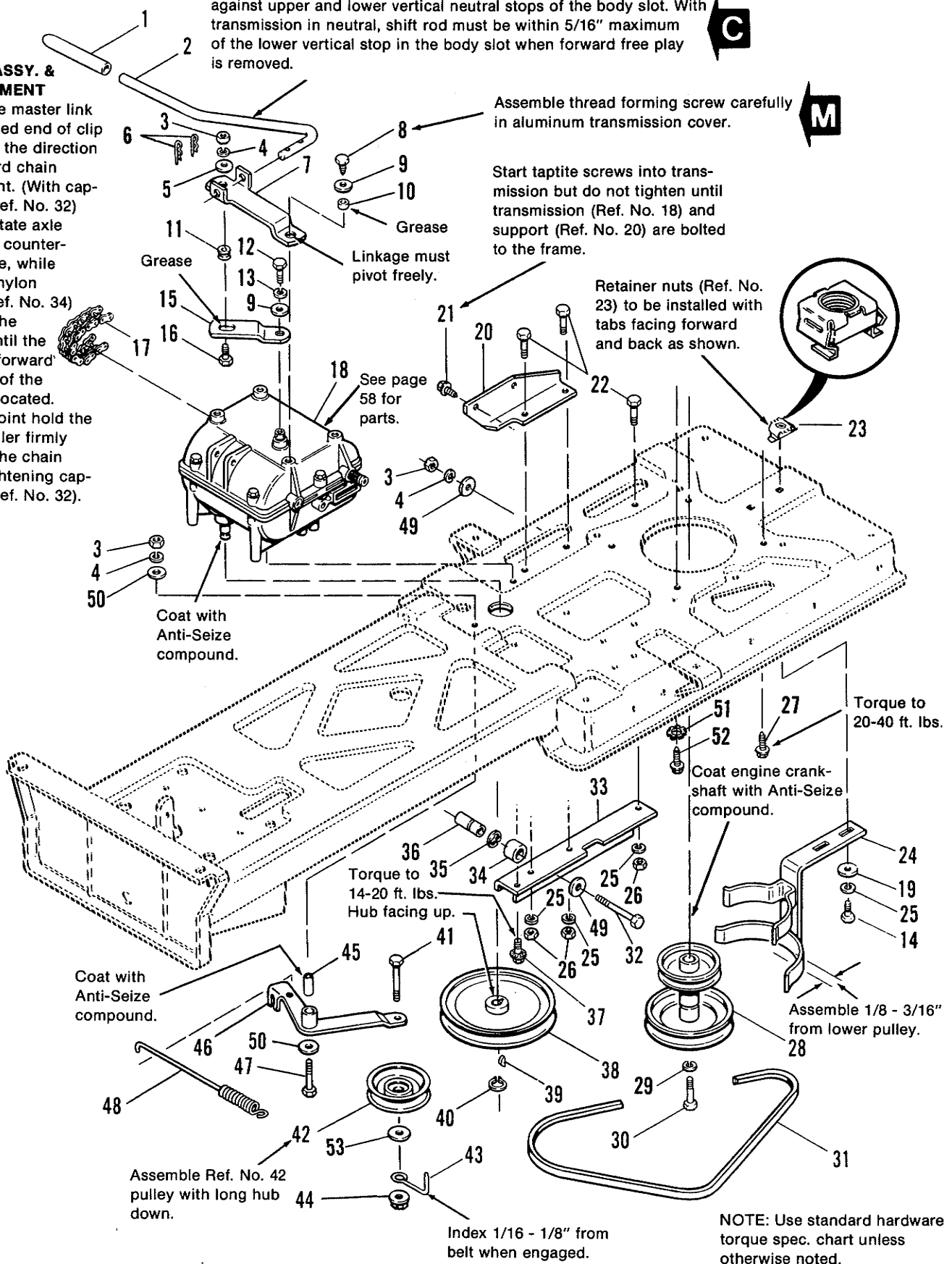
Ref. No.	Part No.	Qty.	Description
1	1657017	1	CAP, Steering Wheel
2	1923362	1	LOCKNUT, Hex, Jam, 5/16-18
3	1919326	2	WASHER, 5/16
4	1670989	1	STEERING WHEEL
5	1667228	1	TUBE, Steering
6	1666258	1	COLLAR, Set
7	1928691	1	SETSCREW, Plated, 5/16-18 x 5/16
8	1701476	1	SHAFT, Steering
9	176440	1	BUSHING, Nylon
10	1666687	1	PINION, Steering
11	1918431	1	WASHER, Plain, 1/2
12	1918452	3	PIN, Cotter, 1/8 x 1
13	1665823	1	QUADRANT
14	1960154	1	WASHER, Plain
15	1672196	1	FRAME ASSEMBLY
16	1923701	1	CAPSCREW, Hex, 13/16 x 2
17	1924356	3	WASHER, Plain, 13/32 x 1-1/2
18	1666332	1	SPACER
19	1666686	1	GEAR, Steering
20	1666672	1	ARM, Steering Gear
21	1930645	3	LOCKNUT, Hex, Flange, 3/8-16
22	1922785	2	BOLT, Carriage, 3/8-16 x 7/8
23	1668927	1	LOCKNUT, Hex, 3/8-24
24	1665819	3	BUSHING
25	1665820	1	DRAG LINK
26	1918403	1	NUT, Hex, Jam, 3/8-24
27	1669567	1	BALL JOINT
28	1924940	3	WASHER, Plain, 3/8
29	1665818	1	ROD, Tie
30	1664257	1	SPINDLE ASSY., L.H.
31	1664258	1	SPINDLE ASSY., R.H.
32	176440	4	BUSHING, Nylon
33	1665058	1	AXLE ASSY.
34	1927794	2	E-RING, Retaining (3/4 dia. shaft)
35	1924856	2	SCREW, Taptite, 5/16-18 x 1/2
36	1935273	1	CAPSCREW, Hex Hd., 1/2-20 x 1-1/2
37	1669570	1	WASHER, Spring
38	1930633	1	LOCKNUT, Hex, Jam, 1/2-20
39	1935112	1	CLIP
40	1924940	1	WASHER, Plain, 3/8
41	1669565	1	SPACER
42	1925690	1	BOLT, Hex, 5/16-18 x 3-1/2
43	1926228	1	PIN, Spring
44	932747	1	TIE, Self-Locking



CHAIN ASSY. & ADJUSTMENT

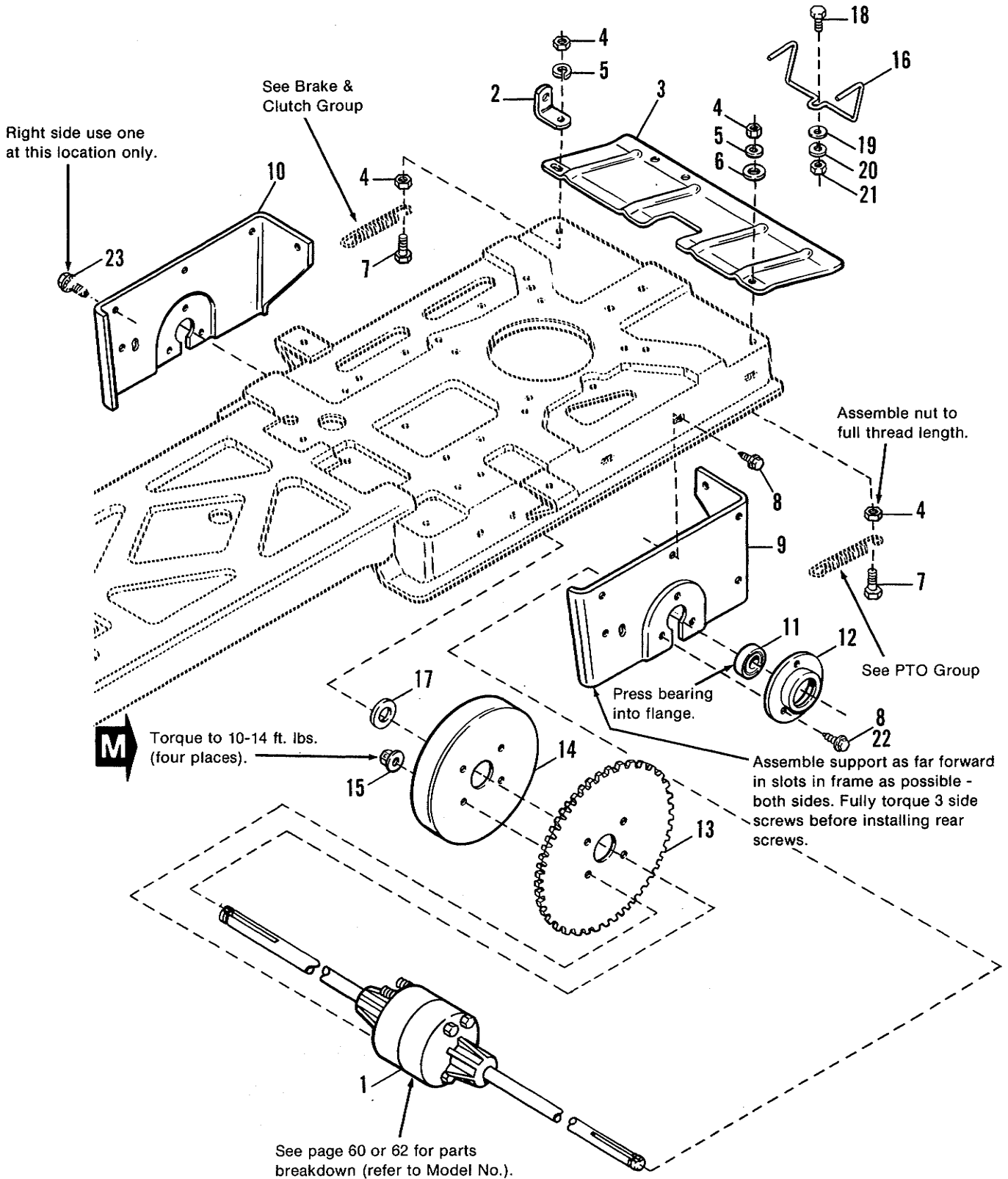
Assemble master link with closed end of clip facing in the direction of forward chain movement. (With cap-screw (Ref. No. 32) loose, rotate axle sprocket counter-clockwise, while holding nylon roller (Ref. No. 34) against the chain, until the farthest forward position of the roller is located. At this point hold the nylon roller firmly against the chain while tightening cap-screw (Ref. No. 32).

Transmission must remain in neutral when shift rod with grip is against upper and lower vertical neutral stops of the body slot. With transmission in neutral, shift rod must be within 5/16" maximum of the lower vertical stop in the body slot when forward free play is removed.



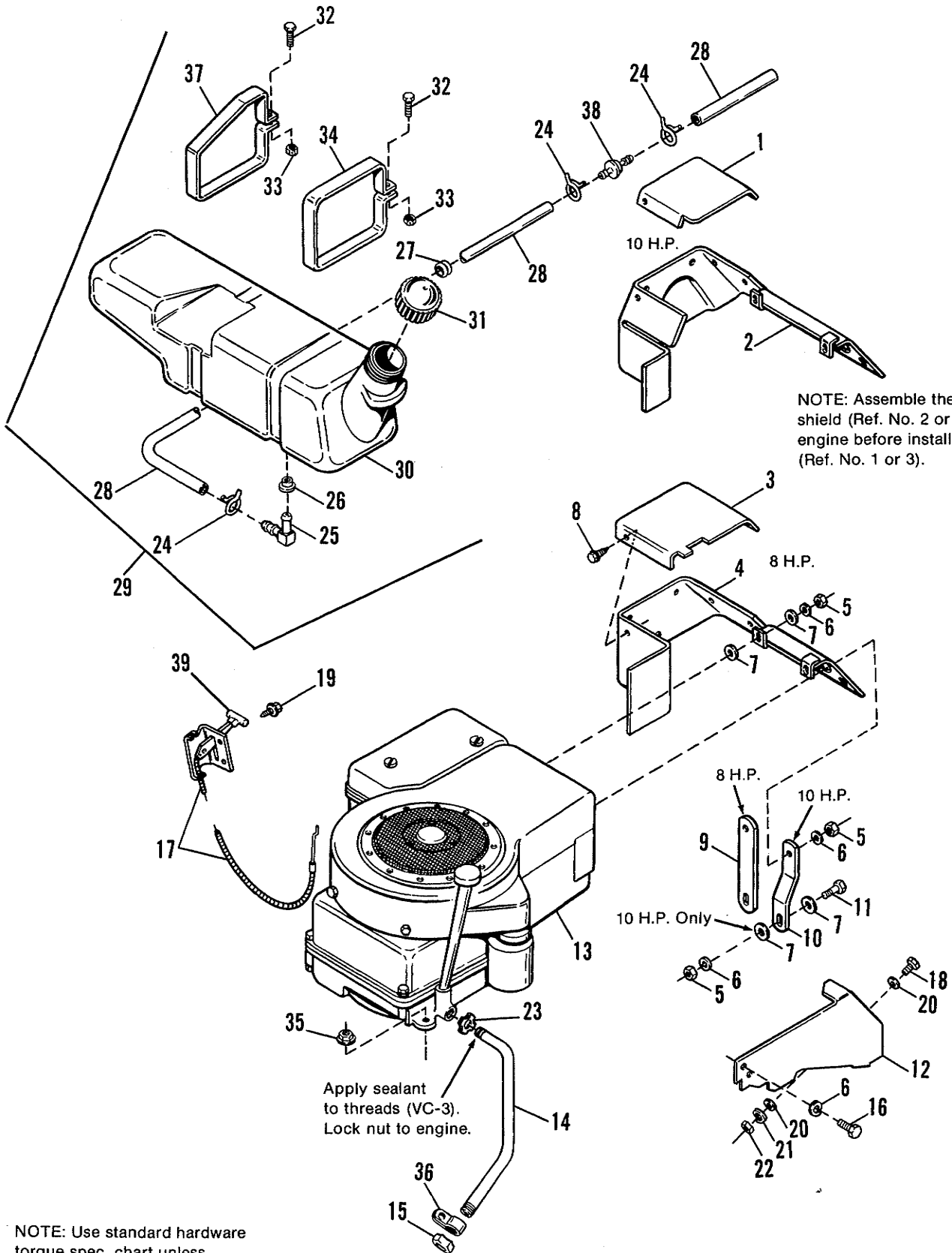
Ref. No.	Part No.	Qty.	Description
1	176933	1	GRIP, Handle
2	1664973	1	ROD, Shift
3	1916950	3	NUT, Hex, 3/8-16
4	1916965	3	LOCKWASHER, 3/8
5	1922611	1	WASHER, Plain, 13/32
6	1960074	2	CLIP, Hairpin
7	1663554	1	PIVOT, Shift
8	1664847	1	SCREW, Hex, Taptite, 5/16-18 x 3/4
9	1921319	2	WASHER, Plain, 1/4
10	1665844	1	SPACER
11	108717	1	SPACER
12	1922234	1	CAPSCREW, Hex, 1/4-28 x 5/8
13	1916964	1	LOCKWASHER, 1/4
14	1921333	2	CAPSCREW, Hex 5/16-18 x 1
15	1663555	1	LINK, Shift
16	1921210	1	CAPSCREW, Hex, 3/8-16 x 1
17	1665694	1	CHAIN, Roller
*18		1	TRANSMISSION, 5-Speed
19	1919326	2	WASHER, Plain, 5/16 (1691535, 1691537, 1691551 only)
20	1665692	1	SUPPORT, Transmission
21	927429	2	SCREW, Hex, Taptite, 1/4-20 x 5/8 (Zinc Plt.)
22	1921332	3	CAPSCREW, Hex, 5/16-18 x 3/4
23	920470	2	NUT, Retainer, 5/16-18
24	1667226	1	BELT STOP ASSY.
25	1917356	5	LOCKWASHER, 5/16
26	1917372	3	NUT, Hex, 5/16-18
27	1928635	4	SCREW, Hex, Taptite, 3/8-16 x 1-1/4 (Mfg. No. 1691106, 1691108)
	1930598	3	SCREW, Hex, Taptite, 3/8-16 x 1-1/2 (Mfg. No. 1691535, 1691537, 1691551)
28	1666437	1	ENGINE PULLEY ASSY.
29	1918199	1	LOCKWASHER, 7/16
30	1920353	1	CAPSCREW, 7/16-20 x 1-1/2
31	1665706	1	V-BELT
32	1923903	1	CAPSCREW, Hex, 3/8-16 x 3
33	1665690	1	SUPPORT, Chain
34	170177	1	ROLLER
35	1927794	1	E-RING, Retainer
36	1664681	1	SPACER, Roller
37	1930591	4	SCREW, Hex, Whizlock, 5/16-18 x 3/4
38	1666316	1	PULLEY ASSY.
39	905123	1	KEY, Woodruff, #9
40	1927103	1	RING, Retaining
41	1921971	1	CAPSCREW, Hex, 3/8-16 x 1-3/4
42	1668827	1	PULLEY, Idler
43	1656054	1	STOP, Belt
44	1930645	1	LOCKWASHER, Hex, Flange, 3/8-16
45	1664613	1	SPACER
46	1669116	1	CLUTCH ARM ASSY.
47	1923701	1	CAPSCREW, Hex, 3/8-16 x 2
48	1666864	1	SPRING
49	1922755	2	WASHER, Plain, 13/32 x 1 x 10 Ga.
50	1924940	2	WASHER, Plain, 3/8
51	920427	1	LOCKWASHER, Ext. Tooth (Zinc Plt.) (1691106, 1691108 only)
52	928635	1	SCREW, Taptite, 3/8-16 x 1-1/2 (Zinc Plt.) (1691106, 1691108 only)
53	1924940	3	WASHER, 3/8 (Qty. 1 on Mfg. No. 1691535, 1691537, 1691551)

*Parts not serviced through Simplicity, order from your local Tecumseh distributor. (See page 58 for parts breakdown of transmission.)



Ref. No.	Part No.	Qty.	Description
*1		1	DIFFERENTIAL AXLE ASSY.,
2	1668501	1	CLIP
3	1677277	1	DEFLECTOR, Heat
4	1917372	4	NUT, Hex, 5/16-18
5	1917356	2	LOCKWASHER, 5/16
6	1919326	1	WASHER, Plain, 5/16
7	1921221	2	CAPSCREW, Hex, 5/16-18 x 1-1/2
8	1924856	14	SCREW, Taptite, Washer Hd., 5/16-18 x 1/2 (Qty. 8 on 1691535, 1691537, 1691551)
9	1665711	1	AXLE SUPPORT, L.H.
10	1665710	1	AXLE SUPPORT, R.H.
11	108202	2	BEARING, Ball
12	1665696	2	FLANGE, Bearing
13	1668296	1	SPROCKET
14	1668295	1	DRUM, Brake
15	1931277	4	LOCKNUT, Hex, Flange, 5/16-18
16	1677288	1	SUPPORT, Deflector
17	1960114	1	WASHER, Plain
18	1923341	1	CAPSCREW, 1/4-20 x 3/4
19	1921319	1	WASHER, 1/4
20	1916964	1	LOCKWASHER, 1/4
21	1916622	1	NUT, Hex, 1/4-20
22	1930601	6	SCREW, Taptite, 5/16-18 x 5/8 (1691535, 1691537, 1691551 only)
23	1928729	1	CAPSCREW, Taptite, 5/16-18 x 3/8

***NOTE:** See an authorized Tecumseh dealer for parts and service. Repair parts for Peerless Differential, Ref. No. 1, not available thru Simplicity. See page 60 for parts breakdown of differential.



Ref. No.	Part No.	Qty.	Description
1	1666171	1	CAP, Heat Shield (10 HP Only)
2	1677521	1	SHIELD ASSY., Heat (10 HP Only)
3	1666016	1	CAP, Heat Shield (8 HP Only)
4	1677519	1	SHIELD ASSY., Heat (8 HP Only)
5	1917372	4	NUT, Hex, 5/16-18
6	1917356	5	LOCKWASHER, 5/16-18
7	1919326	4	WASHER, Plain, 5/16
8	1923735	5	SCREW, Hex, Thd. Forming, #10 x 3/8
9	1665855	1	STRAP, Cylinder Head (8 HP Only)
10	1665842	1	STRAP, Cylinder Head (10 HP Only)
11	1921221	1	CAPSCREW, Hex, 5/16-18 x 1-1/2
12	1677388	1	SHIELD, Heat
*13		1	ENGINE, 8 HP Elec. Start
		1	ENGINE, 10 HP Elec. Start
14	1612039	1	DRAIN, Oil
15	1667346	1	CAP, 3/8
16	1921332	1	CAPSCREW, 5/16-18 x 3/4
17	1707390	1	CONTROL, Throttle
18	1923341	1	CAPSCREW, 1/4-20 x 3/4
19	1927428	2	SCREW, Hex, Taptite, 1/4-20 x 3/8
20	1921319	2	WASHER, 1/4
21	1916964	1	LOCKWASHER, 1/4
22	1916622	1	NUT, Hex, 1/4-20
23	1932849	1	LOCKNUT, Conduit, 3/8
24	1960112	3	CLAMP, HOSE
25	1674231	1	ELBOW, 90 Fuel Tank
26	1654930	1	BUSHING, Fuel Tank
27	936426	1	GROMMET
28	1677291	1	HOSE, Fuel
29	1685376	1	FUEL TANK ASSY. (Incl. Ref. Nos. 24, 25, 26, 30, 37 & 38)
30		1	FUEL TANK (See Ref. No. 29)
31	1678045	1	GAS CAP, Vented
32	1921962	2	SCREW, 1/4-20 x 1-3/4
33	1923358	2	NUT, Center Lock, 1/4-20
34	1677257	1	STRAP, Fuel Tank
35	1916950	3	NUT, Hex, Full, 3/8-16
36	1612050	1	CLAMP, Tube
37	1612032	1	STRAP, Fuel Tank
38	173206	1	FILTER, Fuel
39	1656099	1	KNOB, Push On

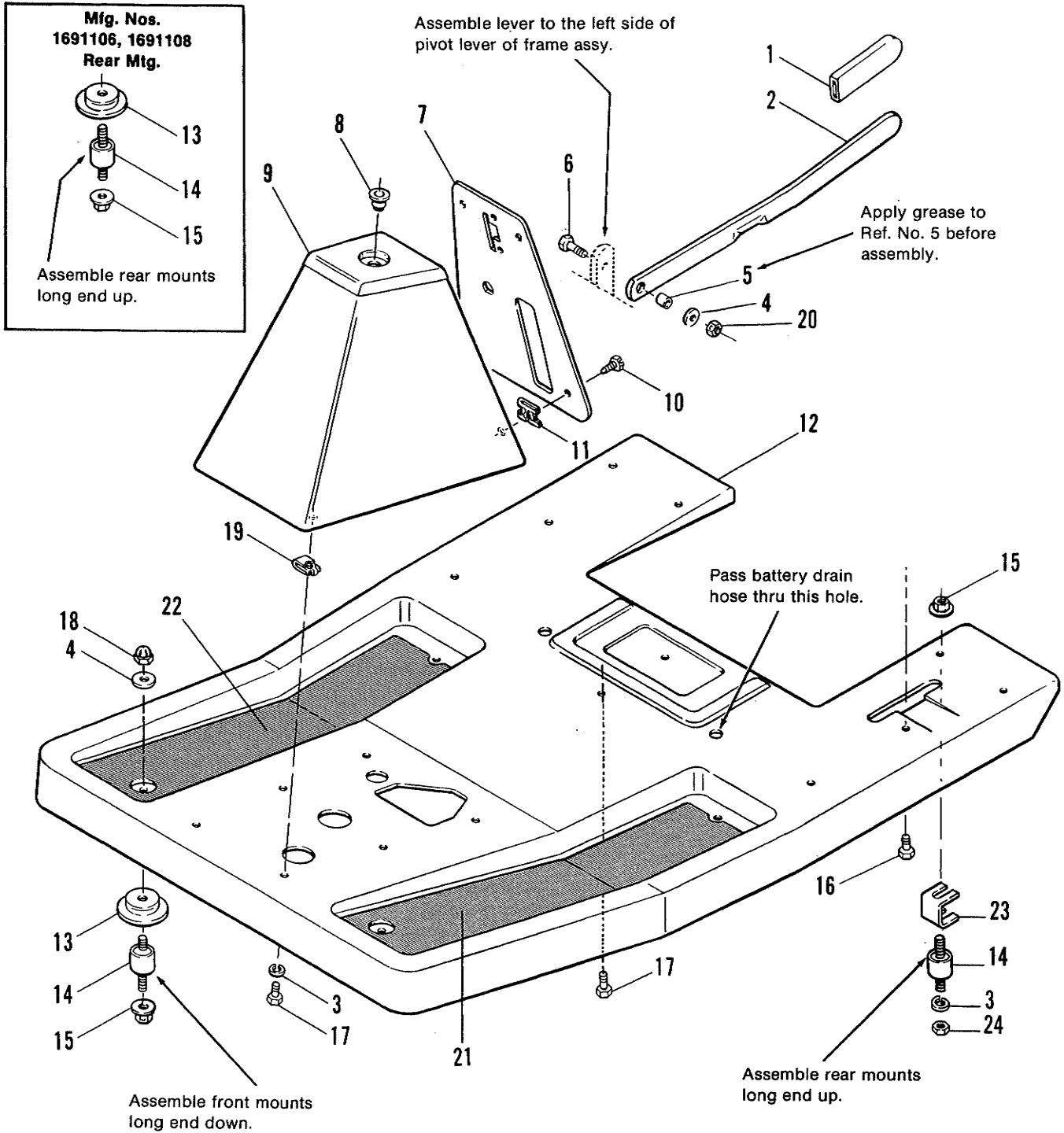
Throttle Control Assy.

Route control conduit through the right side of the quadrant opening. Attach to the right side of the quadrant with (Ref. No. 39, page 4) clip. Route conduit with gradual bends. Do not kink or make sharp bends.

Move control handle to the full choke position. Slide conduit in the engine clamp until the choke linkage is fully actuated. Tighten the clamp.

8 & 10 HP engines must operate at 3400 { . . . 100 RPM with control in the fast detent position.

***See an authorized Briggs & Stratton dealer for parts and service.**

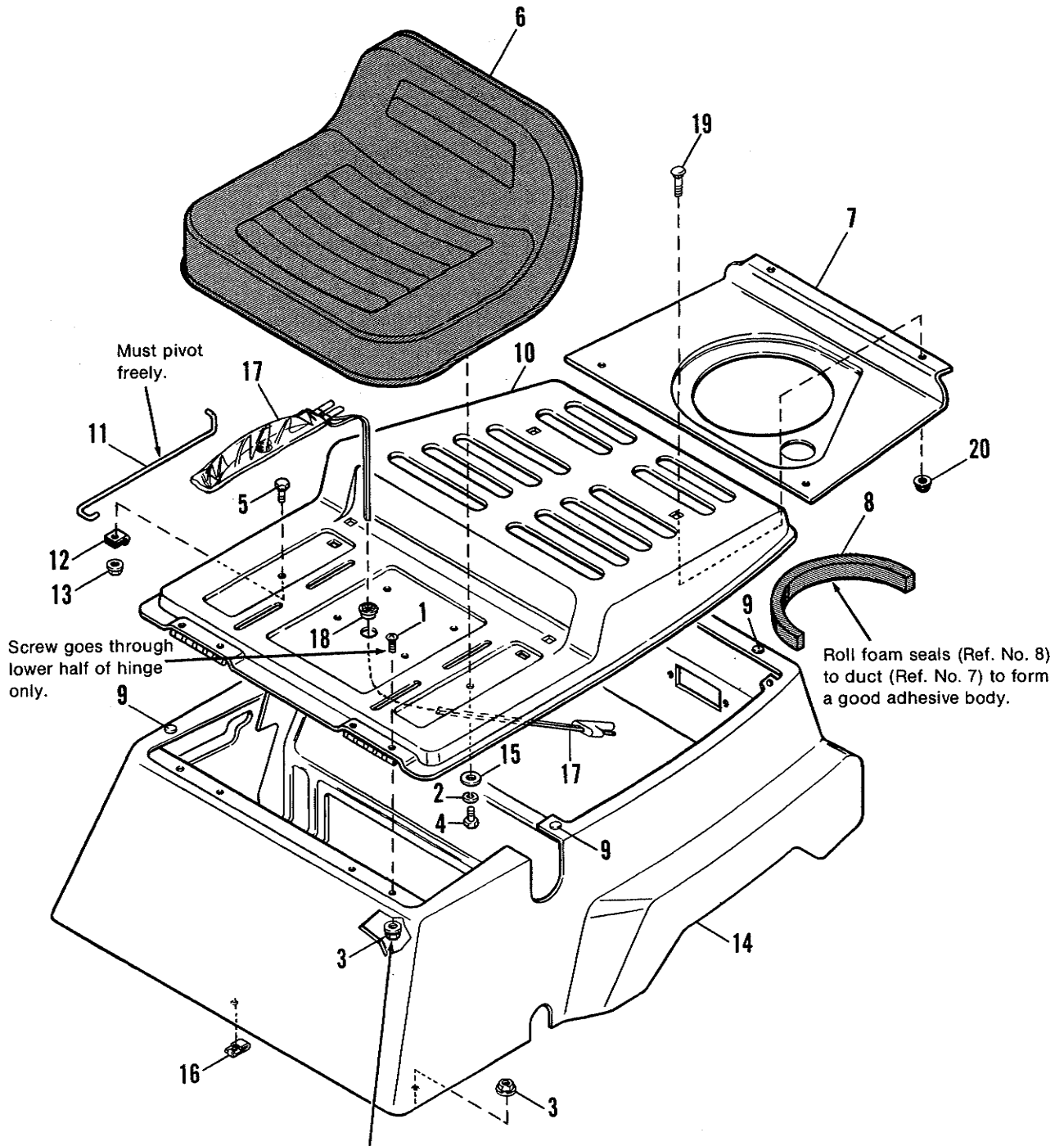


NOTE: Use standard hardware torque spec. chart unless otherwise noted.

NOTE: Assemble front mounts to body before installing mats. Center front of mat on body mount nut and rear on drain hole.

Ref. No.	Part No.	Qty.	Description
1	1665835	1	GRIP, Lever
2	1665792	1	LEVER, Lift
3	1917356	8	LOCKWASHER, 5/16
4	1919381	3	WASHER, Plain, 5/16
5	1703900	1	SPACER
6	1921333	1	CAPSCREW, Hex, 5/16-18 x 1
7	*1707391	1	PANEL, Steering Column
8	176440	1	BUSHING, Nylon
9	1665725	1	STEERING COLUMN ASSY.
10	1922122	4	SCREW, Hex, Thd. Forming, #10 x 1/2
11	1920299	4	U-NUT, #10 x 1/2
12	1611930	1	BODY, Front
13	1666622	2	RESTRAINER (Qty. 4 on Mfg. No. 1691106 & 1691108)
14	157094	4	CONNECTOR, Cushion
15	1927557	6	LOCKNUT, Flange, Whiz, 5/16-18
16	1925205	6	CAPSCREW, 5/16-18 x 5/8
17	1921332	7	CAPSCREW, Hex Hd., 5/16-18 x 3/4
18	1933707	2	NUT, Acorn, 5/16-18
19	1935255	6	NUT, Speed, 5/16-18
20	1923362	1	LOCKNUT, Hex, 5/16-18
21	1666695	1	MAT, Foot, L.H.
22	1666694	1	MAT, Foot, R.H.
23	1611776	2	CLIP, Up-Stop
			(Not used on Mfg. No. 1691106, 1691108)
24	1917372	2	NUT, Hex, 5/16-18 (Not used on Mfg. No. 1691106, 1691108)

*Order Instrument Panel Decal, P/N 1707401 with new Steering Column Panel, P/N 1707391.



Must pivot freely.

Screw goes through lower half of hinge only.

Roll foam seals (Ref. No. 8) to duct (Ref. No. 7) to form a good adhesive body.

To install cover (Ref. No. 10) tighten Ref. No. 3 nuts finger tight. Close cover and center cover on body at rear tabs. Open cover and tighten nuts.

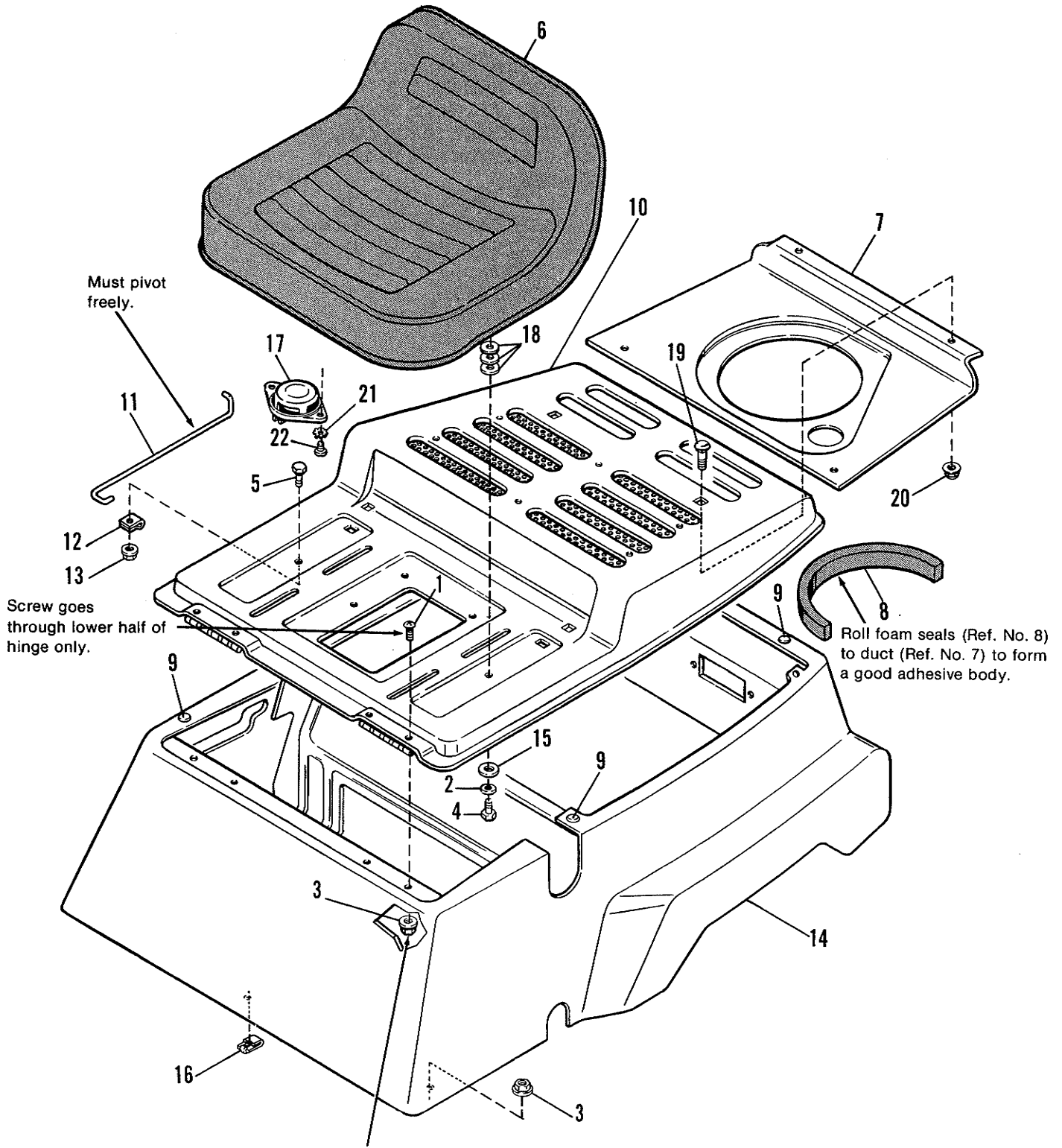
NOTE: Use standard hardware torque spec. chart unless otherwise noted.

Seat Group

Ref. No.	Part No.	Qty.	Description
1	1936357	4	SCREW, Truss, Phil. Hd., 5/16-18 x 7/16
2	917356	4	LOCKWASHER, 5/16
3	1927557	10	LOCKNUT, Flange, Whiz, 5/16-16
4	1925205	4	CAPSCREW, 5/16-18 x 5/8
5	1921958	1	CAPSCREW, Hex, 1/4-20 x 1/2
6	1676538	1	SEAT
7	1677510	1	DUCT, Inlet
8	1677517	2	SEAL, Foam (Mfg. No. 1691106 Only)
	1677518	2	SEAL, Foam (Mfg. No. 1691108 Only)
9	1670675	4	PLUG, Bumper
10	1679336	1	COVER ASSY.
11	1666973	1	ROD, Cover Support
12	1934833	1	CLAMP
13	1930642	1	LOCKNUT, Flange, 1/4-20
14	1677286	1	BODY ASSY.
15	1919326	4	WASHER, Plain, 5/16
16	935255	1	NUT, Speed, 5/16-18
17	* 1671703	1	SWITCH, Seat, Operator Present
18	* 1676624	1	BUSHING, Universal
19	1960253	4	BOLT, Carriage
20	1665253	4	LOCKNUT, Pal, #10-24

*Used on Mfg. No. 1691106 after serial no. 3295.

Used on Mfg. No. 1691108 after serial no. 3646.



NOTE: Use standard hardware torque spec. chart unless otherwise noted.

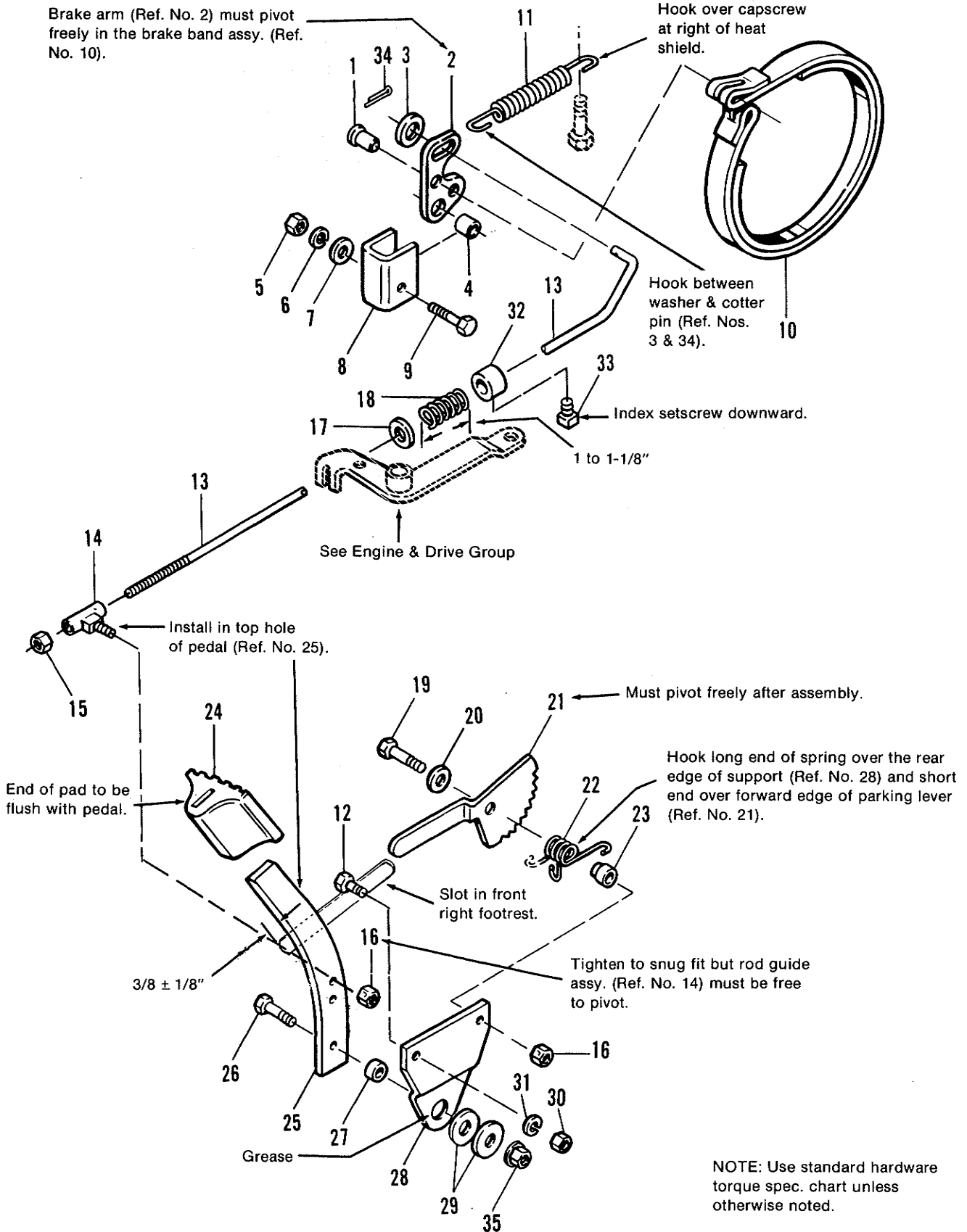
Seat Group

Ref. No.	Part No.	Qty.	Description
1	1936357	4	SCREW, Truss, Phil. Hd., 5/16-18 x 1/2
2	1917356	4	LOCKWASHER, 5/16
3	1927557	10	LOCKNUT, Flange, Whiz, 5/16-16
4	1925205	4	CAPSCREW, 5/16-18 x 1
5	1921958	1	CAPSCREW, Hex, 1/4-20 x 1/2
6	1700618	1	SEAT
7	1707392	1	DUCT, Inlet
8	1677517	2	SEAL, Foam (Mfg. No. 1691551 Only)
	1677518	2	SEAL, Foam (Mfg. No. 1691535, 1691537 Only)
9	1670675	4	PLUG, Bumper
10	1612051	1	COVER ASSY.
11	1666973	1	ROD, Cover Support
12	1934833	1	CLAMP
13	1930642	1	LOCKNUT, Flange, 1/4-20
14	1677286	1	BODY ASSY.
15	1919326	4	WASHER, Plain, 5/16
16	1935255	1	NUT, Speed, 5/16-18
17	* 1700636	1	SWITCH, Seat, Operator Present
	** 1703373		SWITCH, Seat, Operator Present
18	* 1919381	12	WASHER
19	1960253	4	BOLT, Carriage, #10-24 x 1/2
20	1665253	4	LOCKNUT, Pal, #10-24
21	1921880	2	LOCKWASHER, Ext. Tooth, 1/4
22	1960357	2	SCREW, Round Hd., 1/4-20 x 3/4

*Used on Mfg. No. 1691535 before serial no. 2123
 Used on Mfg. No. 1691537 before serial no. 3428
 Used on Mfg. No. 1691551 before serial no. 1889

** Used on Mfg. No. 1691535 after serial no. 2122
 Used on Mfg. No. 1691537 after serial no. 3427
 Used on Mfg. No. 1691551 after serial no. 1888.

Brake arm (Ref. No. 2) must pivot freely in the brake band assy. (Ref. No. 10).

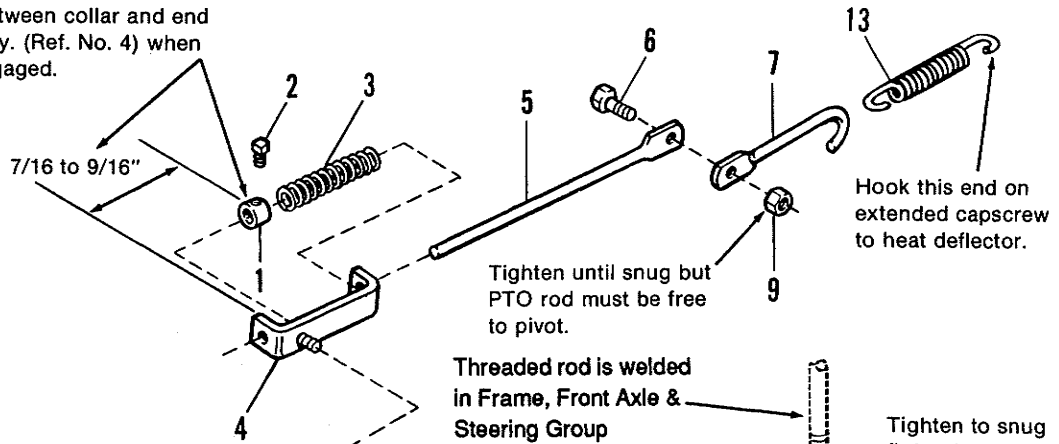


Ref. No.	Part No.	Qty.	Description
1	1667132	2	PIN
2	1677490	1	ARM, Brake
3	1919326	1	WASHER, Plain, 11/32
4	1667133	1	SPACER
5	1916950	2	NUT, Hex, 3/8-16
6	1916965	2	LOCKWASHER, 3/8
7	1924940	1	WASHER, Plain, 11/32
8	1667138	1	BRACKET, Brake
9	1921971	1	CAPSCREW, Hex Hd., 3/8-16 x 1-3/4
10	1679357	1	BRAKE BAND ASSY.
11	1706653	1	SPRING
12	1921332	1	CAPSCREW, Hex Hd., 5/16-18 x 3/4
13	1677489	1	ROD, Brake
14	164094	1	ROD GUIDE ASSY.
15	1919438	1	LOCKNUT, Esna, 5/16-18
16	1923362	2	LOCKNUT, Hex, 5/16-18
17	1922755	1	WASHER, Plain, 13/32 x 1
18	152006	1	SPRING
19	1921221	1	CAPSCREW, Hex Hd., 5/16-18 x 1-1/2
20	1919381	1	WASHER, Plain, 11/32
21	1665735	1	LEVER, Parking Brake
22	1665822	1	SPRING Torsion
23	1669575	1	SPACER
24	1666664	1	PAD, Pedal
25	1665736	1	PEDAL, Brake
26	1920415	1	CAPSCREW, Hex, 3/8-16 x 1-1/4
27	108717	1	SPACER
28	1665744	1	SUPPORT, Pedal
29	1924356	2	WASHER
30	1917372	1	NUT, Hex, 5/16-18
31	1917356	1	LOCKWASHER, 5/16
32	1669597	1	COLLAR, Set
33	1928804	1	SCREW, Set, Sq. Hd., Cup Pt., 1/4-20 x 3/8
34	1918447	1	PIN, Cotter
35	1930645	1	NUT, Hex Flangelock, 3/8-16

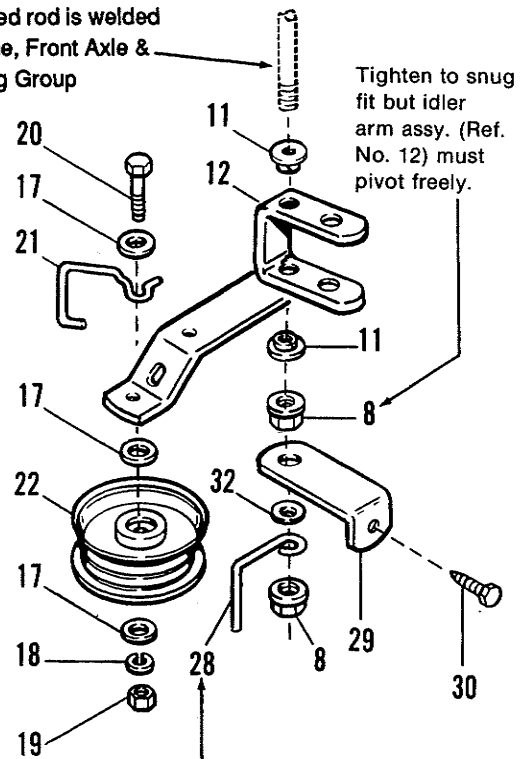
Brake & Clutch Adjustment for parts shown on Page 18.

1. Adjust locknut (Ref. No. 15) on brake rod (Ref. No. 13) so that forward edge of pedal (Ref. No. 25) is 3/8 { . . . 1/8 inch from forward end of slot when pedal is fully depressed with approximately 50 lbs. of force (normal braking force).
2. With the pedal released, slide the set collar (Ref. No. 32), spring (Ref. No. 18) and washer (Ref. No. 17) against the clutch arm assy, until the spring is compressed to a length of 1 to 1-1/8 inch. Tighten set collar in place with setscrew pointing down.

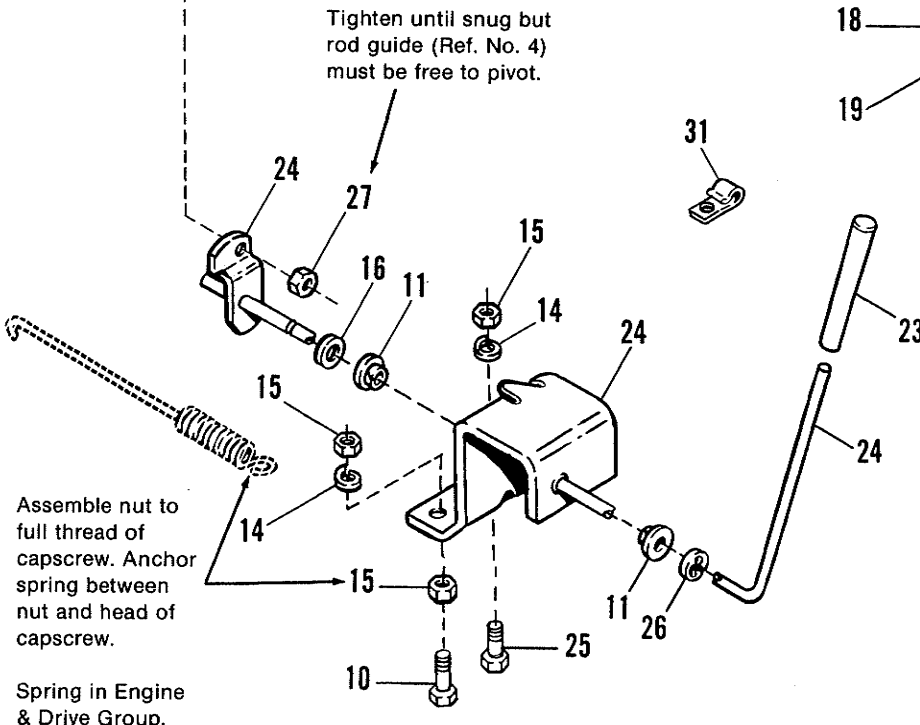
Adjust collar (Ref. No. 1) to obtain 7/16 to 9/16" between collar and end of rod guide assy. (Ref. No. 4) when PTO lever is engaged.



Threaded rod is welded in Frame, Front Axle & Steering Group



Tighten until snug but rod guide (Ref. No. 4) must be free to pivot.

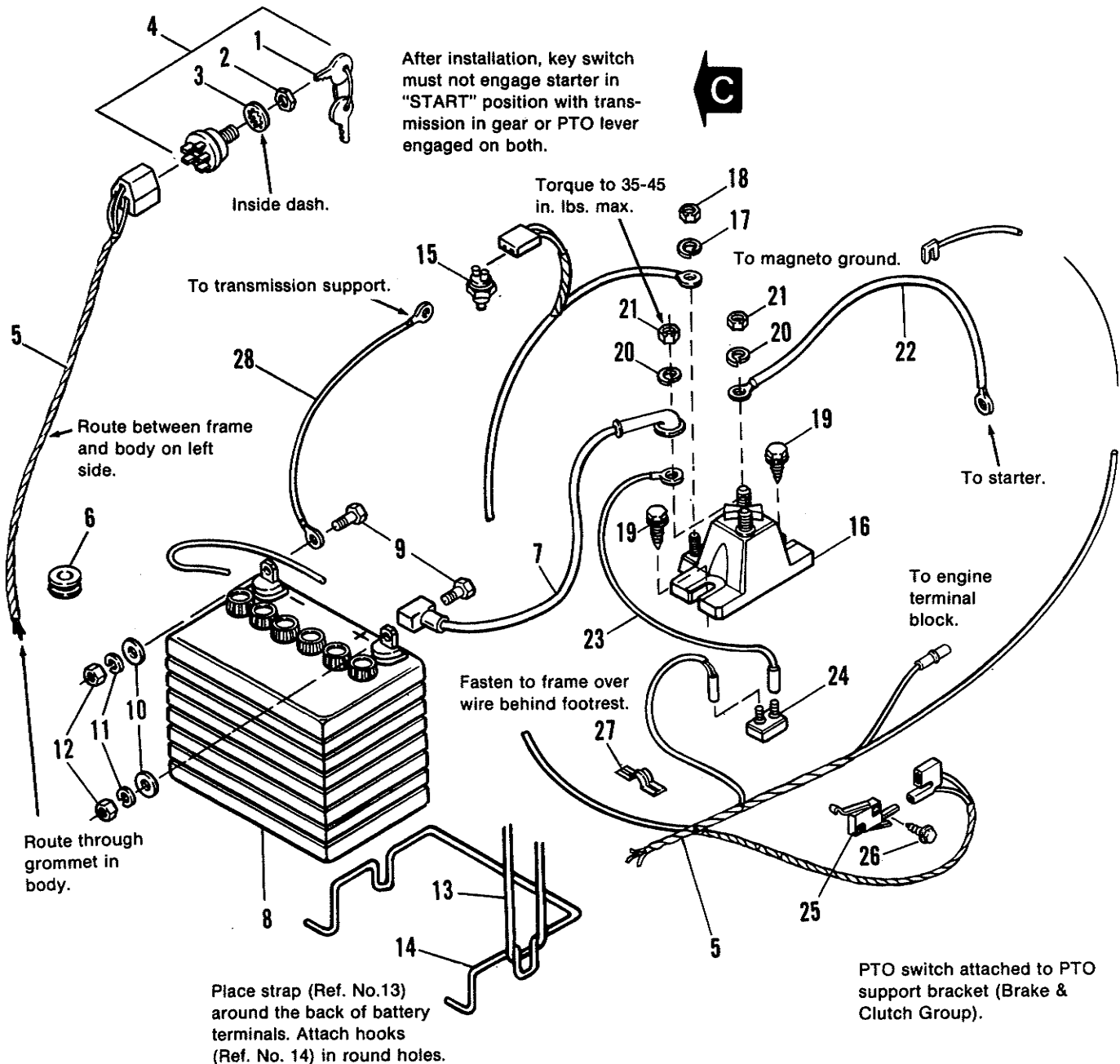
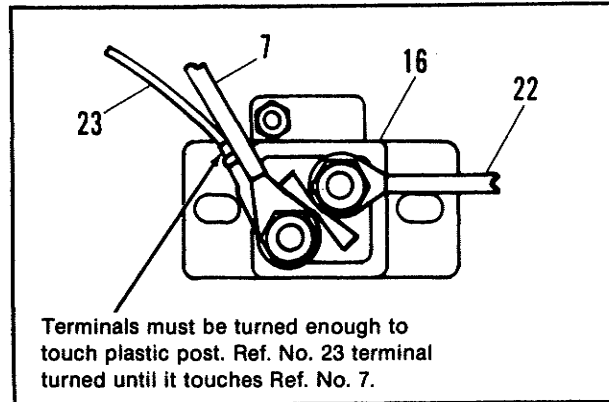


Index belt stop parallel to vehicle centerline. Belt stop used with 30" mowers only.

Spring in Engine & Drive Group.

NOTE: Use standard hardware torque spec. chart unless otherwise noted.

Ref. No.	Part No.	Qty.	Description
1	1669597	1	COLLAR, Set
2	1928804	1	SETSCREW, 1/4-20 x 3/8
3	163103	1	SPRING
4	158406	1	ROD GUIDE ASSY.
5	1667901	1	ROD, P.T.O., Front
6	1921959	1	CAPSCREW, Hex Hd., 1/4-20 x 5/8
7	1667902	1	ROD, P.T.O., Rear
8	1930644	2	LOCKNUT, Flange, 1/2-13
9	1920397	1	LOCKNUT, Hex, Lock, 1/4-20
10	1921221	1	CAPSCREW, Hex Hd., 5/16-18 x 1-1/2
11	1668185	4	BUSHING
12	1674138	1	P.T.O. IDLER ARM ASSY.
13	1666626	1	SPRING, Return
14	1917356	2	LOCKWASHER, 5/16
15	1917372	3	NUT, Hex, Full, 5/16-18
16	1924361	1	WASHER, Plain
17	1924940	3	WASHER, Plain, 13/32
18	1916965	1	LOCKWASHER, 3/8
19	1916950	1	NUT, Hex, 3/8-16
20	1921971	1	CAPSCREW, Hex Hd., 3/8-16 x 1-1/2
21	1667024	1	STOP, Belt
22	1657712	1	PULLEY, Idler
23	176933	1	GRIP
24	1612057	1	P.T.O. LEVER ASSY. (Incl. Ref. No. 16)
25	1925205	1	CAPSCREW, Hex Hd., 5/16-18 x 5/8
26	158399	1	RING, Retaining
27	1923362	1	LOCKNUT, Hex, 5/16-18
28	106545	1	STOP, Belt (Used on Mfg. Nos. 1691106, 1691535, 1691551 only)
29	1702659	1	SUPPORT, P.T.O.
30	1924856	1	SCREW, Taptite, 5/16-18 x 1/2
31	1926917	1	CLAMP, Wire
32	1919326	1	WASHER, 5/16 (Used on Mfg. Nos. 1691106, 1691353, 1691551 only)



NOTE: Use standard hardware torque spec. chart unless otherwise noted.

Electrical Group

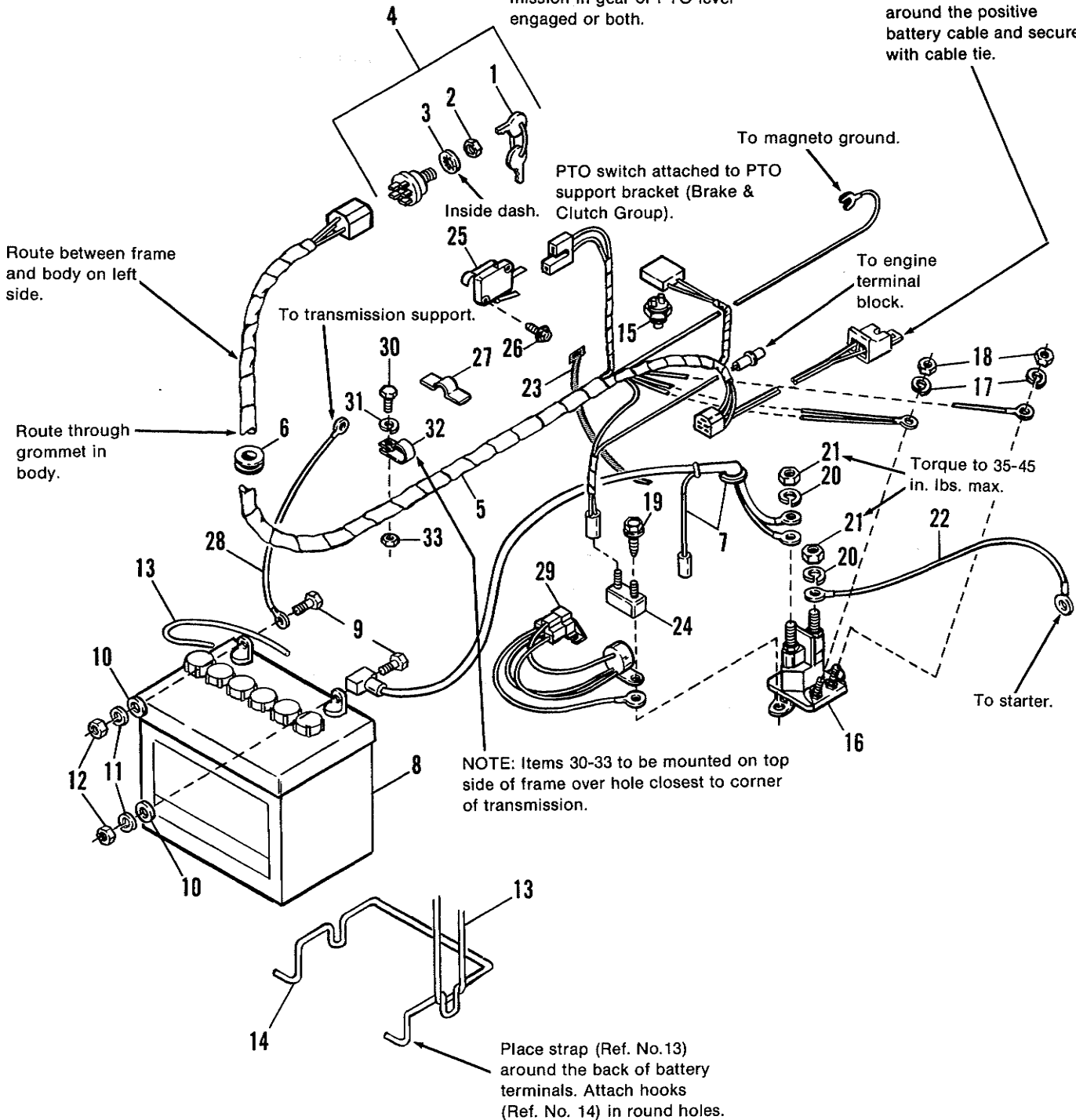
Ref. No.	Part No.	Qty.	Description
1	122203	1	KEY
2	122234	1	NUT
3	1918906	1	LOCKWASHER, Internal Tooth, 5/8
4	178280	1	SWITCH, Key (Incl. Ref. Nos. 1, 2 & 3)
5	1664466	1	HARNES ASSY.
6	173420	1	GROMMET
7	1677297	1	CABLE ASSY. (Batt. to Solenoid)
8	1685215	1	BATTERY, 12 Volt
9	1923341	2	CAPSCREW, Hex, 1/4-20 x 3/4
10	1921319	2	WASHER, Plain, 1/4
11	1916964	2	LOCKWASHER, 1/4
12	1916622	2	NUT, Hex, 1/4-20
13	1665872	1	STRAP, Battery
14	1667805	1	BRACE, Battery
15	1654634	1	SWITCH, Transmission Interlock
16	1685291	1	SOLENOID
17	1922711	2	LOCKWASHER, #10
18	1917415	2	NUT, Hex, Machine, #10-32
19	925592	2	SCREW, Hex, Taptite, 1/4-20 x 3/4
20	917356	2	LOCKWASHER, 5/16
21	1917372	2	LOCKNUT, Hex, 5/16-18
22	1603618	1	CABLE ASSY. (Solenoid to Starter)
23	1665237	1	WIRE ASSY.
24	1665238	1	BREAKER, Circuit
25	1665586	1	SWITCH, P.T.O. Interlock
26	1935944	2	SCREW, Hex, Taptite, #50-40 x 3/4
27	176912	1	CLIP, Wire
28	1671158	1	CABLE (Battery to Ground)

***NOTE:** Items shown on pages 22 & 23 used on Mfg. No. 1691106 before serial no. 3296 and on Mfg. No. 1691108 before serial no. 3647.

After installation, key switch must not engage starter in "START" position with transmission in gear or PTO lever engaged or both.



NOTE: This seat switch wire to be wrapped around the positive battery cable and secured with cable tie.



NOTE: Use standard hardware torque spec. chart unless otherwise noted.

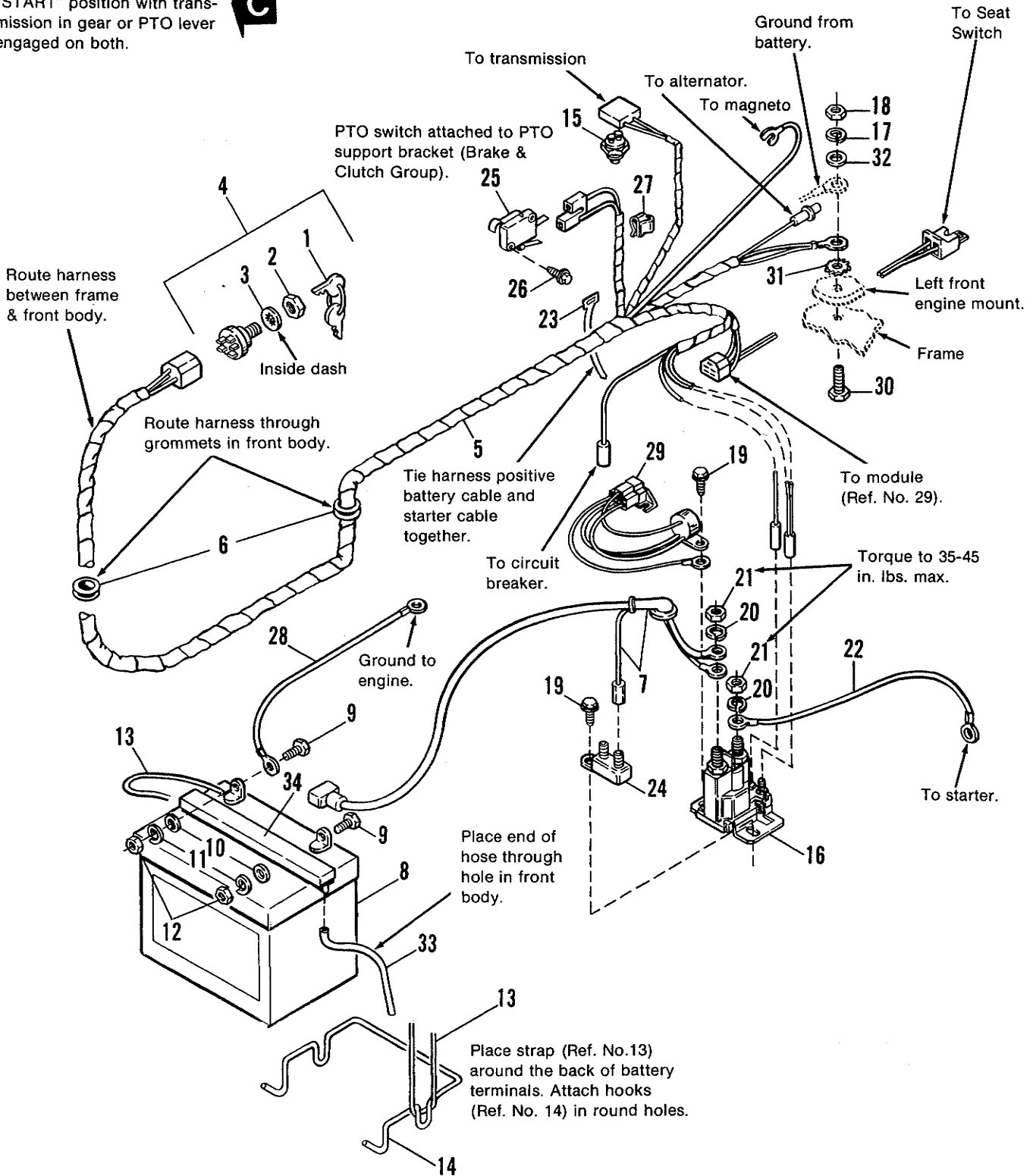
Ref. No.	Part No.	Qty.	Description
1	122203	1	KEY
2	122234	1	NUT
3	1918906	1	LOCKWASHER, Internal Tooth, 5/8
4	178280	1	SWITCH, Key (Incl. Ref. Nos. 1, 2 & 3)
5	1676658	1	HARNESS ASSY. (Mfg. No. 1691106, 1691108 only)
	1611754	1	HARNESS ASSY. (Mfg. No. 1691551, 1691535, 1691537 only)
6	173420	1	GROMMET
7	1677297	1	CABLE ASSY. (Batt. to Solenoid)
8	1685215	1	BATTERY, 12 Volt
9	1923341	2	CAPSCREW, Hex, 1/4-20 x 3/4
10	1921319	2	WASHER, Plain, 1/4
11	1916964	2	LOCKWASHER, 1/4
12	1916622	2	NUT, Hex, 1/4-20
13	1665872	1	STRAP, Battery
14	1667805	1	BRACE, Battery
15	1654634	1	SWITCH, Transmission Interlock
16	1685290	1	SOLENOID
17	1922711	2	LOCKWASHER, #10
18	1917415	2	NUT, Hex, Machine, #10-32
19	1927429	2	SCREW, Hex, Taptite, 1/4-20 x 5/8 (Zinc Plt.)
20	1917356	2	LOCKWASHER, 5/16
21	1920263	2	LOCKNUT, Hex, 5/16-18
22	1603618	1	CABLE ASSY. (Solenoid to Starter)
23	932747	1	TIE
24	1665238	1	BREAKER, Circuit
25	1665586	1	SWITCH, P.T.O. Interlock
26	1935944	2	SCREW, Hex, Taptite, #50-40 x 3/4
27	176912	1	CLIP, Wire (Mfg. No. 1691106, 1691108 only)
28	1671158	1	CABLE (Battery to Ground)
29	1672654	1	MODULE, DSI Interlock
30	1921332	1	CAPSCREW, Hex, 5/8-18 x 3/4
31	1917356	1	LOCKWASHER, 5/16
32	926917	1	CLAMP, Wire
33	1917372	1	NUT, Hex, Full, 5/16-18

*NOTE: Items shown on pages 24 & 25 used on:

Mfg. No. 1691106 after serial no. 3295
Mfg. No. 1691108 after serial no. 3646.

Mfg. No. 1691535 before serial no. 11901.
Mfg. No. 1691537 before serial no. 3428.
Mfg. No. 1691551 before serial no. 1889.

After installation, key switch must not engage starter in "START" position with transmission in gear or PTO lever engaged on both.



NOTE: Use standard hardware torque spec. chart unless otherwise noted.

Ref. No.	Part No.	Qty.	Description
1	122203	1	KEY
2	122234	1	NUT
3	1918906	1	LOCKWASHER, Internal Tooth, 5/8
4	1674244	1	SWITCH, Key (Incl. Ref. Nos. 1, 2 & 3)
5	1685465	1	HARNESS ASSY.
6	1703473	2	GROMMET
7	1677297	1	CABLE ASSY. (Batt. to Solenoid)
8	1685215	1	BATTERY, 12 Volt
9	1923341	2	CAPSCREW, Hex, 1/4-20 x 3/4
10	1921940	2	WASHER, Plain, 1/4
11	1916964	2	LOCKWASHER, 1/4
12	1916622	2	NUT, Hex, 1/4-20
13	1665872	1	STRAP, Battery
14	1667805	1	BRACE, Battery
15	1654634	1	SWITCH, Transmission Interlock
16	1685290	1	SOLENOID
17	1920427	1	LOCKWASHER, 3/8
18	1960251	2	NUT, 3/8-16
19	927429	2	SCREW, Hex, Taptite, 1/4-20 x 5/8 (Zinc Pltd.)
20	1917356	2	LOCKWASHER, 5/16
21	1920263	2	LOCKNUT, Hex, 5/16-18
22	1612060	1	CABLE ASSY. (Solenoid to Starter)
23	932747	1	TIE
24	1665238	1	BREAKER, Circuit
25	1665586	1	SWITCH, P.T.O. Interlock
26	1935944	2	SCREW, Hex, Taptite, #50-40 x 3/4
27	165073	1	CLIP, Wire
28	1612055	1	CABLE (Battery to Ground)
29	1685466	1	MODULE, Interlock
30	960361	1	CAPSCREW, Taptite, 3/8-16 x 2
31	1612055	1	LOCKWASHER, Ext. Tooth, 3/8 (Zinc Pltd.)
32	1924940	1	WASHER, 3/8
33	1612103	1	HOSE, 3/8 I.D., 1/2 O.D. x 23-1/2" Long
34	1704581	1	VENT, Battery

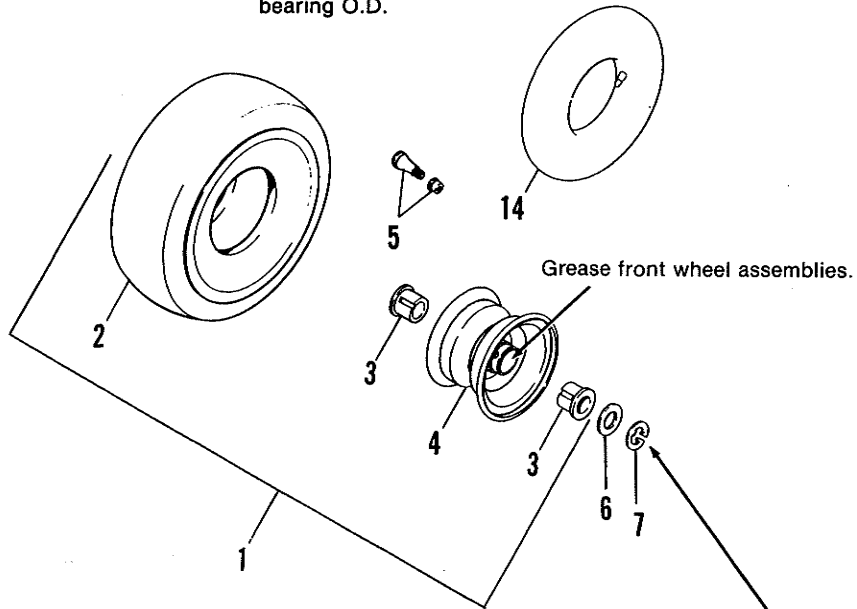
*NOTE: Items shown on pages 26 & 27 used on:

Mfg. No. 1691535 after serial no. 11900.

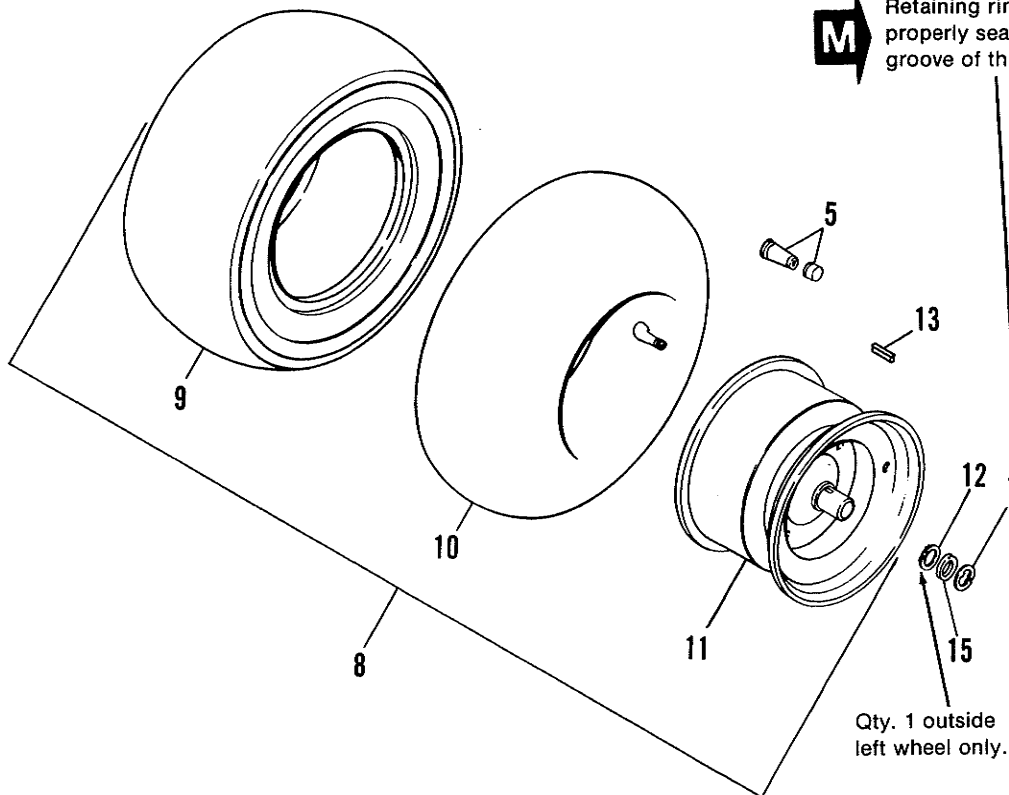
Mfg. No. 1691537 after serial no. 3427.

Mfg. No. 1691551 after serial no. 1888.

Measure I.D. of wheel bore to determine bearing O.D.



M Retaining ring must be properly seated in the groove of the rear axle.

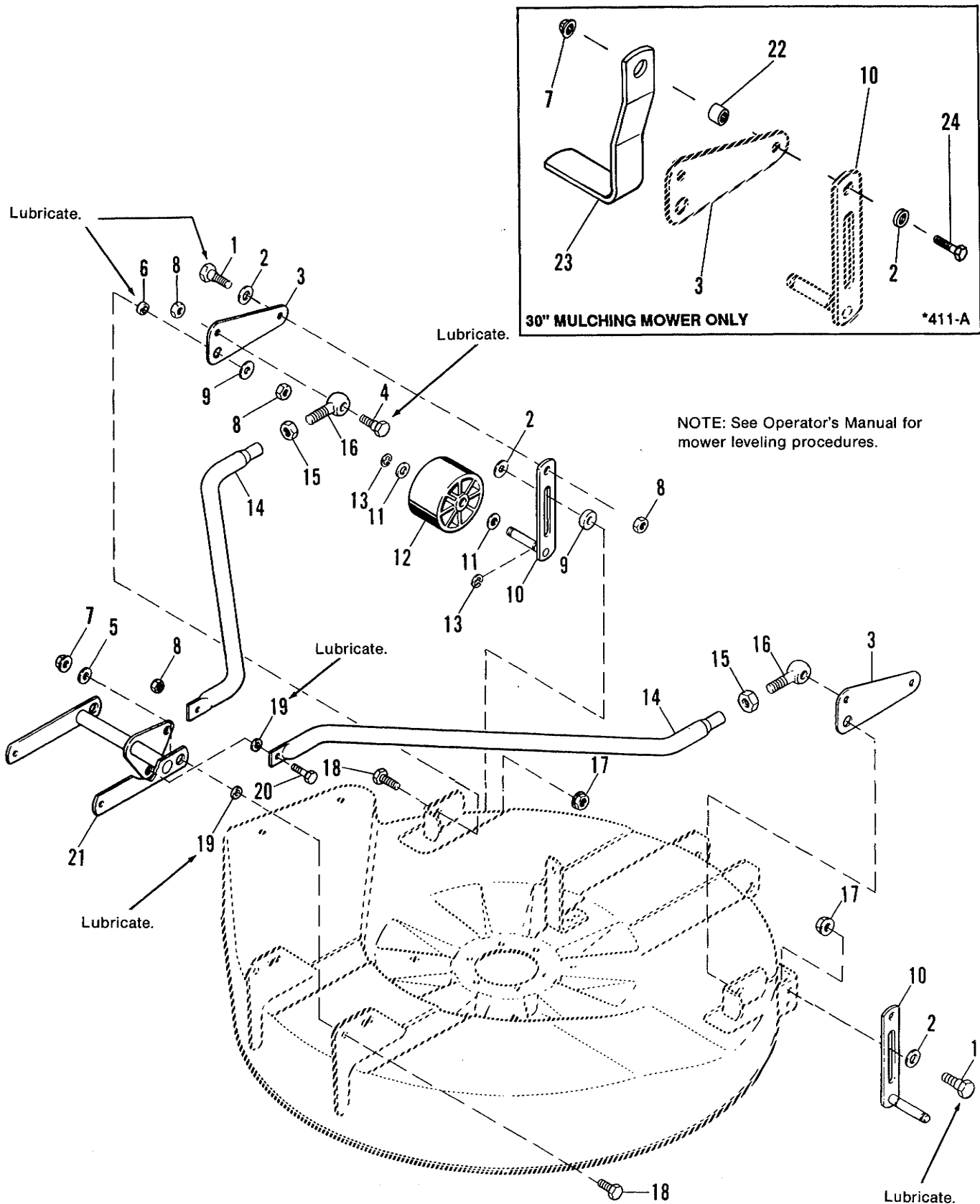


Ref. No.	Part No.	Qty.	Description
1	1679698	2	FRONT WHEEL & TIRE ASSY.
2	1672269	2	TIRE, Turf, 4.10/3.50-4 (Carlisle)
*3	156316	4	BEARING, Flange Wheel (O.D. 1-1/8)
	1679713	4	BEARING, Flange Wheel (O.D. 1-3/8)
4	1679712	2	WHEEL ASSY. (Incl. Ref. No. 3)
5	172353	4	VALVE STEM & CAP
6	960202	5	WASHER
7	927794	4	E-RING, Retaining, 3/4
8	1672016	2	REAR WHEEL & TIRE ASSY.
9	1605965	2	TIRE, Tubeless, 16 x 6.50-8 (Carlisle)
10	164247	2	TUBE, (See note below) (Rear Wheels)
11	1672017	2	WHEEL ASSY.
12	1960114	3	WASHER, Plain
13	8221042	2	KEY, 3/16 x 3/16 x 1-1/2
14	159141	2	TUBE, (See note below) (Front Wheels)
15	1960160	2	WASHER, 3/4 x 1-39/64 x 1/2

*To determine which bearing to order refer to page 28, Ref. No. 4 and measure I.D. of wheel to determine O.D. of bearings.

NOTE: Simplicity Tire Sealant can be used to repair tires in place of tubes. See inside front cover of this manual for part number.

Ref. No.	Part No.	Qty.	Description
1	1923451	1	CAPSCREW, Hex, 7/16-14 x 1-1/2
2	1918199	1	LOCKWASHER, 7/16
3	1933263	1	WASHER
4	1666317	1	PULLEY ASSY.
5	927793	1	E-RING
6	1669585	1	SPACER
7	1922606	1	CAPSCREW, Hex Hd., 3/8-16 x 1-3/4
8	1603205	1	SHAFT
9	1668513	1	ROLLER, Small
10	1685166	1	HOUSING ASSY., Standard (Incl. Safety Decals)
	1685445	1	HOUSING ASSY., 30" Mulcher, (Incl. Safety Decals)
11	1664847	6	SCREW, Taptite, 5/16 x 3/4
12	1931335	2	BOLT, Carriage, 5/16-18 x 1
13	1657969	1	SHIELD, Grass Upper
14	1703273	1	ARBOR HOUSING, Bottom (Incl. Ref. No. 34)
15	108202	2	BEARING
16	1685245	1	SHAFT (Incl. Ref. No. 22)
17	1685251	1	SHAFT & BEARING ASSY. (Incl. Ref. Nos. 15, 6 & 22)
18	1655729	1	ARBOR HOUSING, Top
19	1700230	1	WASHER, Shim
20	1700229	1	SHIELD, Grass, Lower
21	1655777	1	ADAPTOR, Blade
22	1672132	1	COLLAR, Mower Arbor
23	1664019	1	BLADE, Standard
	1706290	1	BLADE, 30" Mulcher
24	1656927	1	WASHER
25	1656916	1	WASHER, Spring
26	1923491	1	CAPSCREW, Hex, 7/16-14 x 1
27	1930645	1	LOCKNUT, Hex, Flange, 3/8-16
28	1960074	1	CLIP, Hair Pin, 3/32 x 1
29	174896	1	SPRING
30	1701613	1	BRAKE, Mower (Incl. Ref. Nos. 41 & 42)
31	1664004	2	CLIP
32	1667020	1	STOP, Belt
33	1931277	2	NUT, 5/16-18
34	1704314	1	FITTING, Grease
35	1919326	2	WASHER, Plain, 5/16
36	1665898	1	ROD, Brake
37	1924940	1	WASHER, Standard
38	1669586	1	ROLLER
39	1678100	2	WASHER, Spring
40	960171	1	WASHER, Nylon
41	1669313	1	PAD, Brake
42	1925160	2	RIVET, Pop
43	1707335	1	GASKET, Foam
<u>30" MULCHER ONLY (see inset)</u>			
44	1706992	1	PLATE, Discharge (30" Mulcher)
45	1931332	2	CARRIAGE, Bolt, 5/16-18 x 5/8 (30" Mulcher)
46	1917356	2	LOCKWASHER, 5/16 (30" Mulcher)
47	1917372	2	NUT, Hex, 5/16-18 (30" Mulcher)



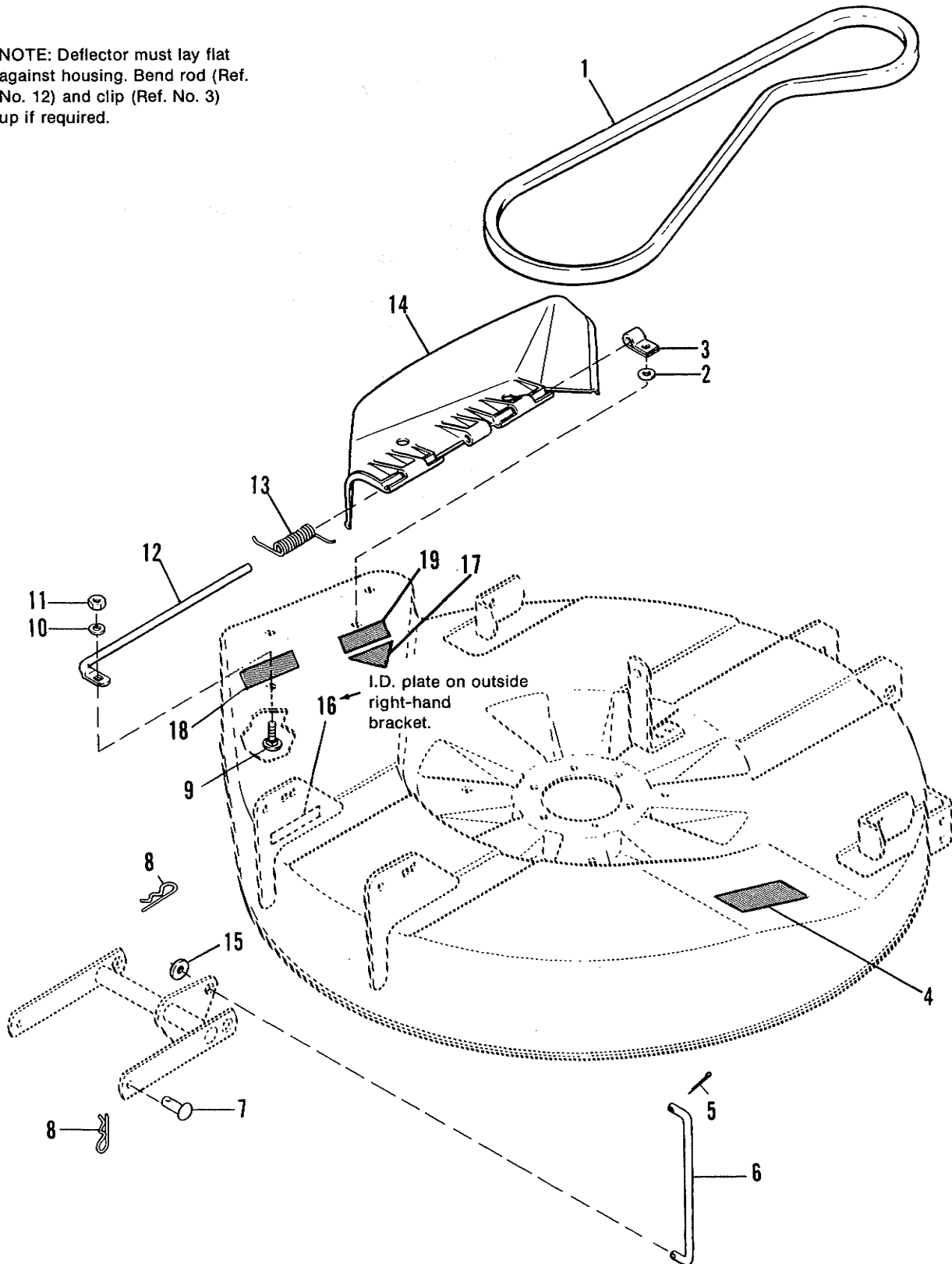
NOTE: Use standard hardware torque spec. chart unless otherwise noted.

Ref. No.	Part No.	Qty.	Description
1	172622	4	BOLT, Shoulder
2	1924361	4	WASHER, Plain, 7/16
3	1664604	2	ARM
4	108412	2	BOLT, Shoulder
5	1922755	2	WASHER
6	1663752	2	SPACER
7	1930645	4	LOCKNUT, Flange, Centerlock, 3/8-16 (Qty. 2 on 1691437)
8	1916950	7	NUT, Full, Whizlock 3/8-16
9	172454	2	SPACER
10	1665685	2	ROLLER SUPPORT ASSY.
11	1960020	4	WASHER, Plain, 5/8
12	1668487	2	ROLLER
13	153124	4	RING, Retaining
14	1664598	2	ARM, Adjusting
15	1919262	2	NUT, Jam, 1/2-20
16	157215	2	BOLT, Eye
17	1928352	2	LOCKNUT, Flange, Whiz, 3/8-16
18	1921210	4	CAPSCREW, Hex, 3/8-16 x 1
19	1611705	3	SPACER
20	1920415	1	CAPSCREW, Hex, 3/8-16 x 1-1/4
21	1666183	1	SUPPORT ARM ASSY.

30" MULCHER ONLY (see inset)

22	108717	2	SPACER
23	1706498	2	BRACKET, Roller
24	1665693	2	BOLT, Shoulder

NOTE: Deflector must lay flat against housing. Bend rod (Ref. No. 12) and clip (Ref. No. 3) up if required.



NOTE: Use standard hardware torque spec. chart unless otherwise noted.

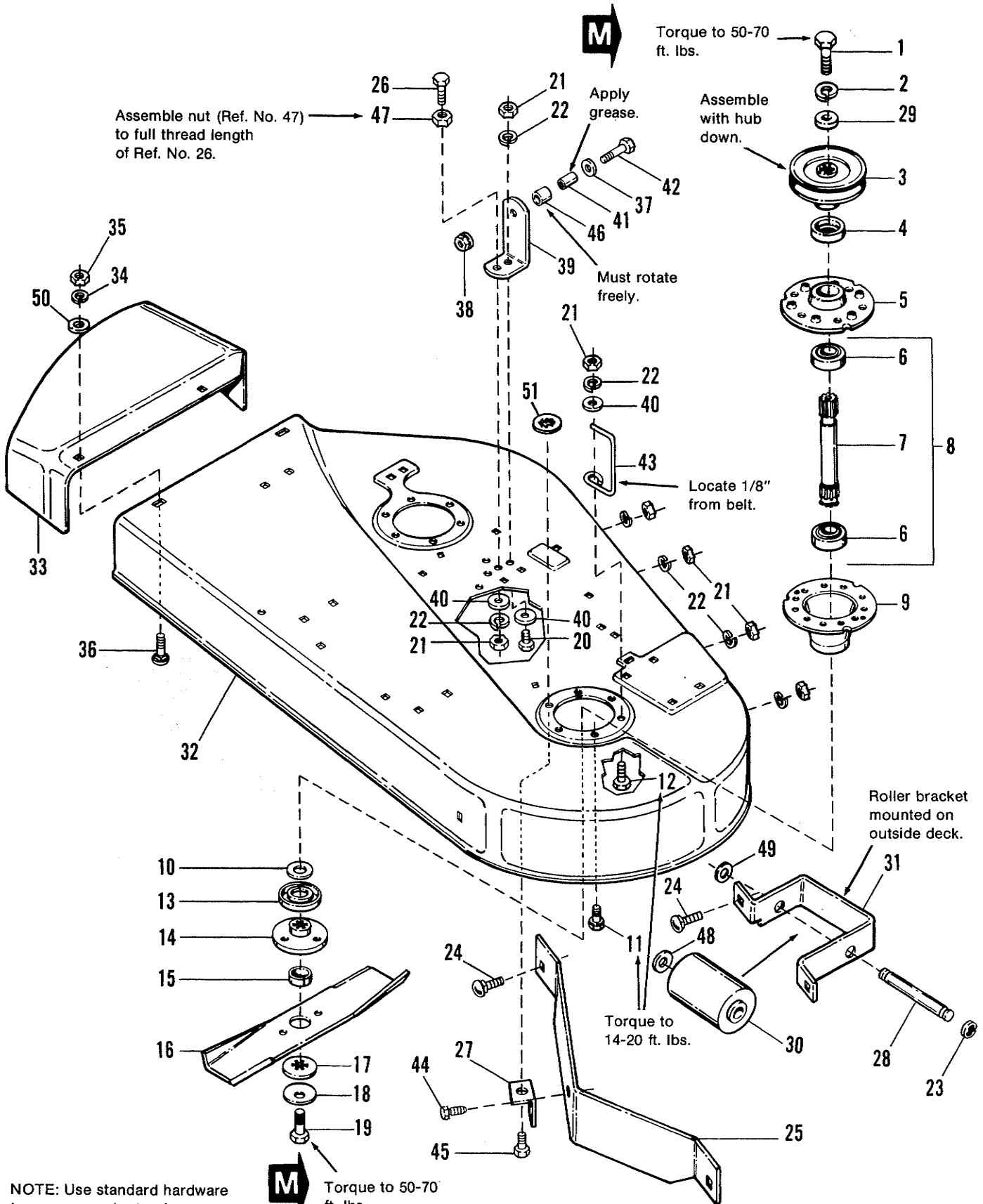
Ref. No.	Part No.	Qty.	Description
1	1665024	1	V-BELT
2	1921319	3	WASHER, Plain, 9/32
3	1704873	1	CLIP, 5/16
4	1704276	1	DECAL, Danger
5	1918448	1	PIN, Cotter, 3/32 x 1
6	1665594	1	ROD, Lift
7	156306	2	PIN
8	1960074	3	CLIP, Hairpin
9	1931317	2	BOLT, Carriage, 1/4-20 x 3/4
10	1916964	2	LOCKWASHER, 1/4
11	1916622	2	NUT, Hex, 1/4-20
12	1664947	1	ROD, Deflector, Front
13	1664953	1	SPRING
14	1665036	1	DEFLECTOR
15	1924940	1	WASHER, Plain, 3/8
16		1	PLATE, I.D.
17		1	DECAL, OPEI
18	1704277	1	DECAL, Danger, Mower
19	1706037	1	DECAL, Cutting Width, 30"

SAFETY DECALS

Ref. No. 4



Ref. No. 18



Assemble nut (Ref. No. 47) to full thread length of Ref. No. 26.

M Torque to 50-70 ft. lbs.

Apply grease.

Assemble with hub down.

Must rotate freely.

Locate 1/8" from belt.

Roller bracket mounted on outside deck.

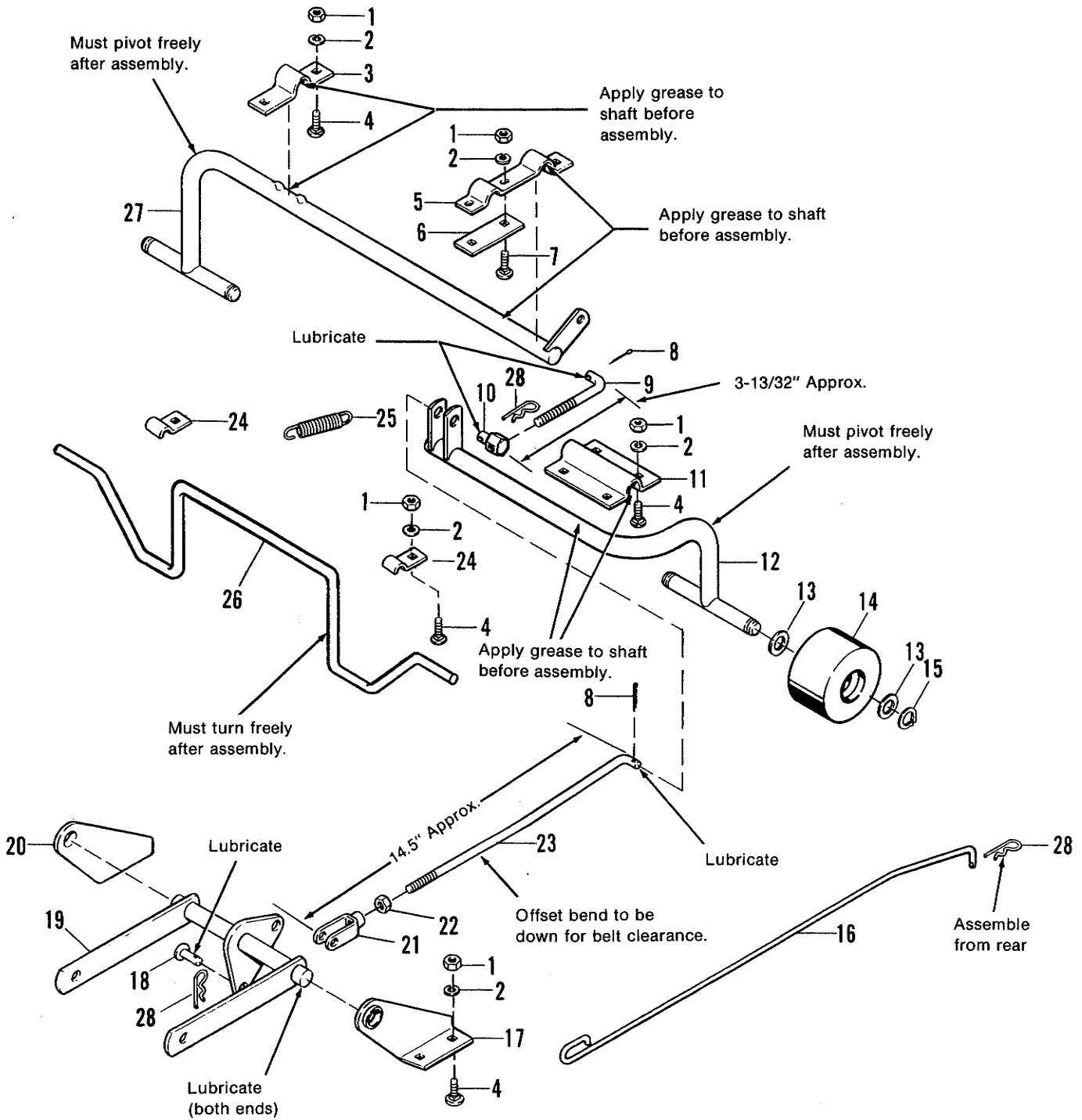
Torque to 14-20 ft. lbs.

NOTE: Use standard hardware torque spec. chart unless otherwise noted.

M Torque to 50-70 ft. lbs.

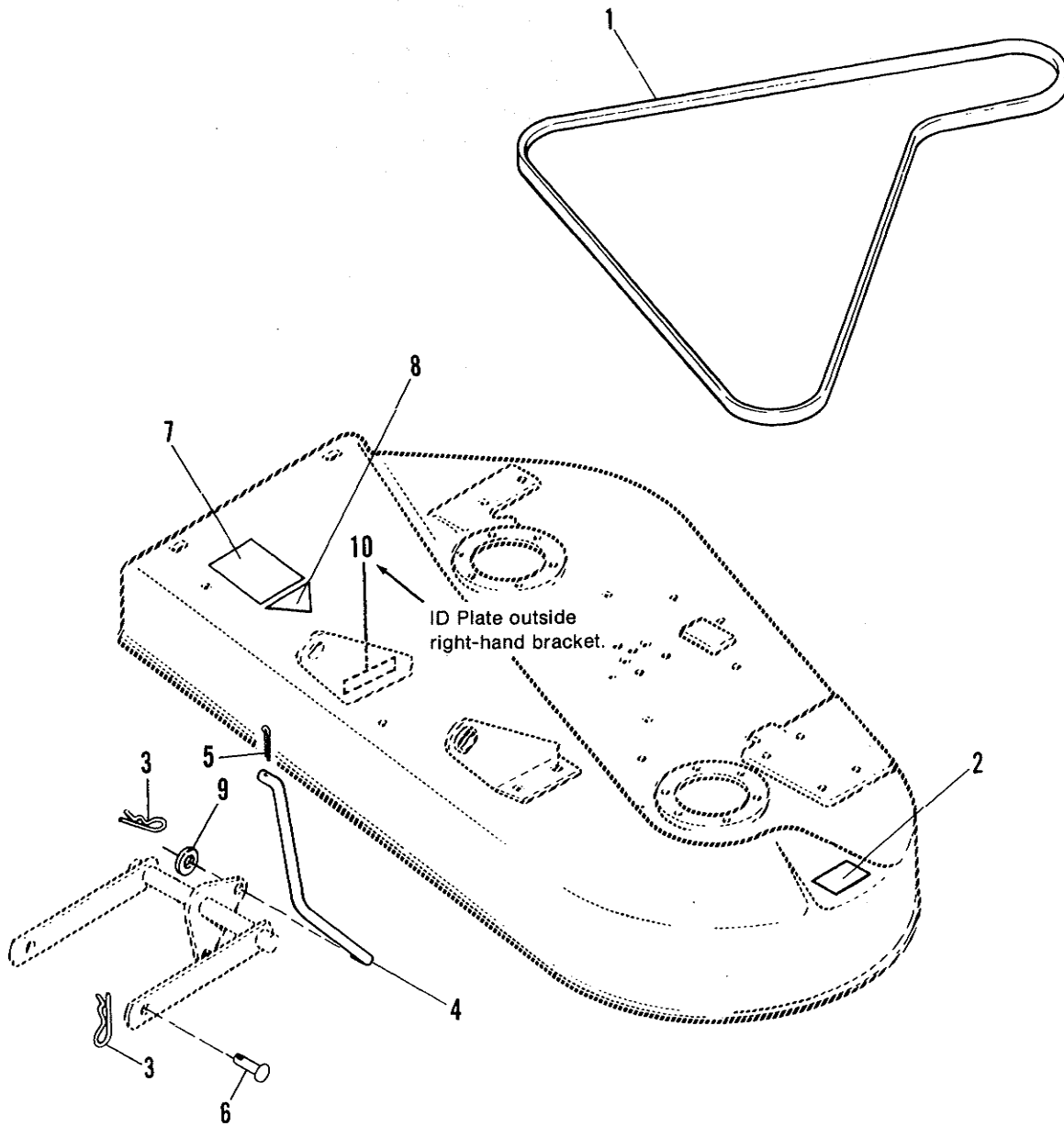
Ref. No.	Part No.	Qty.	Description
1	1923451	2	CAPSCREW, Hex, 7/16-14 x 1-1/2
2	1918199	2	LOCKWASHER, 7/16
3	1664858	2	DRIVE PULLEY ASSY.
4	1657969	2	SHIELD, Upper Grass
5	1655729	2	HOUSING, Top
6	108202	4	BEARING
7	1685245	2	SHAFT (Incl. Ref. No. 15)
8	1685251	2	SHAFT & BEARING ASSY. (Incl. Ref. Nos. 6, 7 & 15)
9	1703273	2	HOUSING, Bottom
10	1700230	2	WASHER, Shim
11	1664847	11	SCREW, Taptite, 5/16-18 x 5/8
12	1927477	1	SCREW, Taptite, 5/16-18 x 1
13	1700229	2	SHIELD, Lower Grass
14	1655777	2	ADAPTOR, Blade
15	1672132	2	COLLAR, Mower Arbor
16	1657589	2	BLADE
17	1656927	2	WASHER, Spline
18	1656916	2	WASHER, Spring
19	1923491	2	CAPSCREW, Hex, 7/16-14 x 1
20	1921333	1	CAPSCREW, Hex, 5/16-18 x 1
21	1917372	8	NUT, Hex, 5/16-18
22	1917356	8	LOCKWASHER, 5/16
23	927793	1	E-RING
24	1931333	4	BOLT, Carriage, 5/16-18 x 3/4
25	1671577	1	BAFFLE
26	1921221	1	CAPSCREW, Hex Hd., 5/16-18 x 1-1/2
27	1668500	1	BRACKET, Mower
28	1603205	1	SHAFT, Center Roller
29	1933263	2	WASHER, 29/64
30	1668513	1	ROLLER, Small
31	1671592	1	BRACKET, Center Roller
32	1685102	1	HOUSING, 36"
33	1702190	1	DEFLECTOR
34	1916965	2	LOCKWASHER, 3/8
35	1916950	2	NUT, Hex, 3/8-16
36	1922110	2	BOLT, Carriage, 3/8-16 x 3/4
37	1960103	1	WASHER, Plain
38	1930645	1	LOCKNUT, Hex, Flange, 3/8-16
39	1667153	1	SUPPORT, Up-Stop
40	1919326	3	WASHER, Plain, 5/16
41	1669585	1	SPACER
42	1922606	1	CAPSCREW, Hex Hd., 3/8-16 x 1-3/4
43	1657660	1	STOP, Belt
44	1921332	1	CAPSCREW, Hex Hd., 5/16-18 x 3/4
45	1930595	1	CAPSCREW, Hex Hd., 5/16-18 x 1-1/4
46	1669586	1	ROLLER
47	1920161	1	NUT, Hex, Jam, 5/16-18
48	1678100	1	WASHER, Spring
49	960171	1	WASHER, Nylon
50	1924940	2	WASHER, Plain
51	1933988	1	PUSH NUT

NOTE: See Operator's Manual for mower leveling procedures.



NOTE: Use standard hardware torque spec. chart unless otherwise noted.

Ref. No.	Part No.	Qty.	Description
1	1917372	15	NUT, Hex, 5/16-18
2	1917356	15	LOCKWASHER, 5/16
3	1663942	1	STRAP
4	1931333	4	BOLT, Carriage, 5/16-18 x 3/4
5	1663943	1	CLAMP, Wheel Support
6	1664002	1	SPACER
7	1931335	2	BOLT, Carriage, 5/16-18 x 1
8	1918447	2	PIN, Cotter, 3/32 x 3/4
9	1655811	1	ROD, Bolt
10	108512	1	PIVOT
11	1653768	1	CLAMP
12	1663945	1	WHEEL SUPPORT ASSY., L.H.
13	1960020	8	WASHER, 41/64
14	1668487	4	ROLLER
15	153124	4	RING, Retainer
16	1665900	1	ROD, Brake
17	1663936	1	BRACKET, Front, L.H.
18	1923087	1	PIN, Yoke
19	1664848	1	SUPPORT ARM ASSY.
20	1663937	1	BRACKET, Front, R.H.
21	108157	1	CLEVIS, Adjusting
22	1916950	1	NUT, Hex, 3/8-16
23	1663938	1	ROD, Link
24	1664004	2	CLIP
25	175290	1	SPRING
26	1703113	1	BRAKE, Mower
27	1663947	1	WHEEL SUPPORT ASSY., R.H.
28	1960074	3	CLIP, Hairpin



Ref. No.	Part No.	Qty.	Description
1	108508	1	V-BELT
2	1704276	1	DECAL, Danger
3	1960074	3	CLIP, Hairpin
4	1665788	1	ROD, Lift
5	1918448	1	PIN, 3/32 x 1
6	156306	2	PIN
7	1704277	1	DECAL, Warning
8		1	DECAL, OPEI
9	1924940	1	WASHER, Plain, 3/8
10		1	PLATE, I.D.

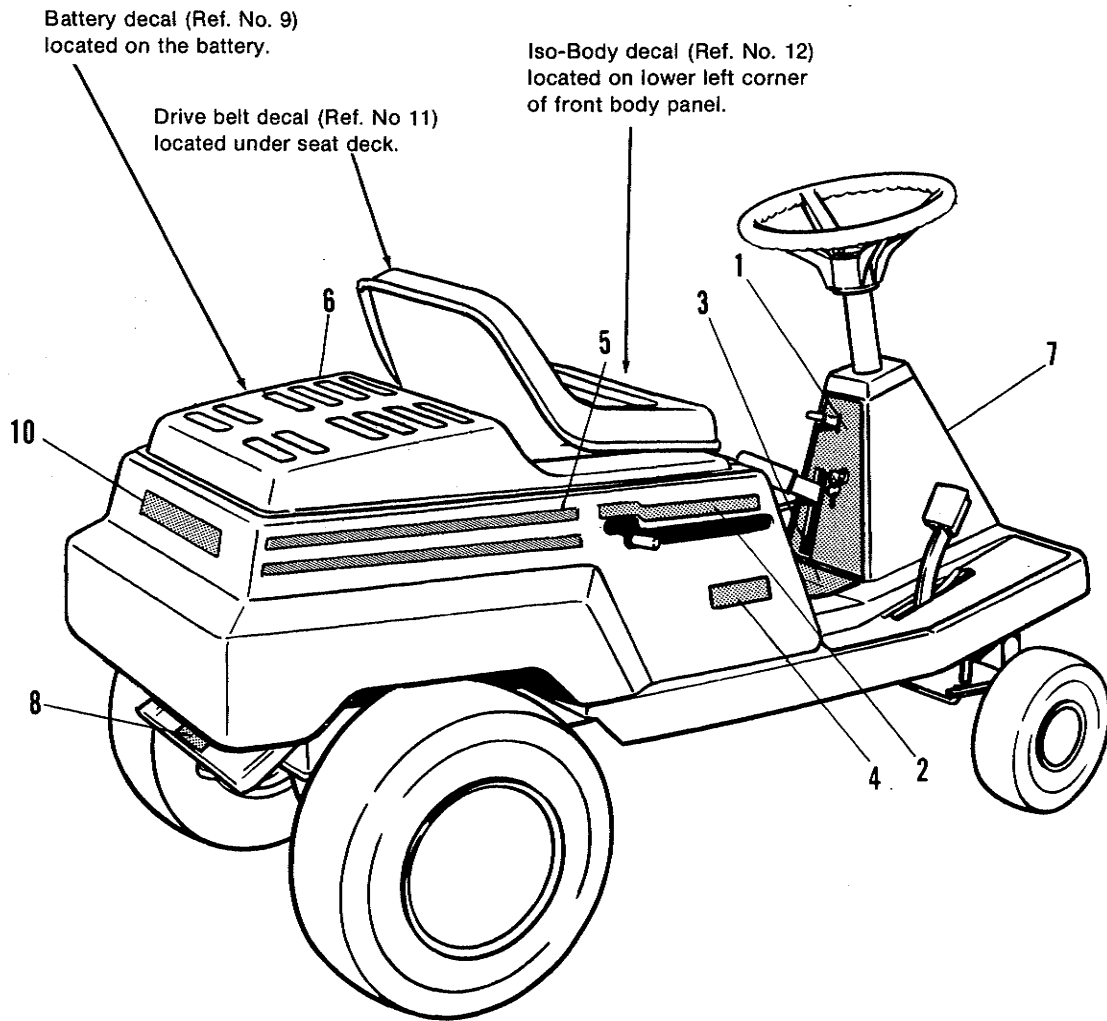
SAFETY DECALS



Ref. No. 2



Ref. No. 7

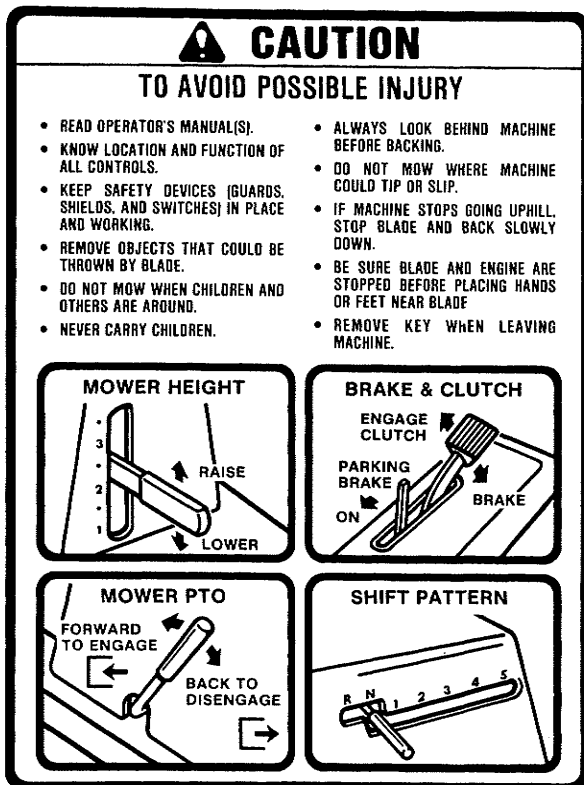


Ref. No.	Part No.	Qty.	Description
1	1663973	1	DECAL, Instrument Panel (Use with all models except those built with B/S engine models 254707 and 257707).
	1707401	1	DECAL, Instrument Panel (Use with models built with B/S Engine models 254707 and 257707)
2	1667182	1	DECAL, Shift Pattern
3	1676918	1	DECAL, Caution & Controls
4	1667180	2	DECAL, 8 HP Electric Start (3108ES)
	1667178	2	DECAL, 10 HP Electric Start (3110 ES)
	1706036	2	DECAL, 10 REG
5	1669054	1	DECAL, Side, L.H. (Orange/Beige)
	1706034	1	DECAL, Side, L.H. (Black/Blue)
6	1669055	1	DECAL, Side, R.H. (Orange/Beige)
	1706035	1	DECAL, Side, R.H. (Black/Blue)
7	1667181	1	DECAL, Cavalier (3108 & 3110 Only)
8	1676920	1	DECAL, Danger
9		1	DECAL, Battery (Not Serviced)
10	1668202	1	DECAL, Simplicity
11	1703667	1	DECAL, Drive Belts (Under Seat Deck)
12	1668607	1	DECAL, Iso-Body

Not Shown:

1703659	1	DECAL, Touch-Up Paint
---------	---	-----------------------

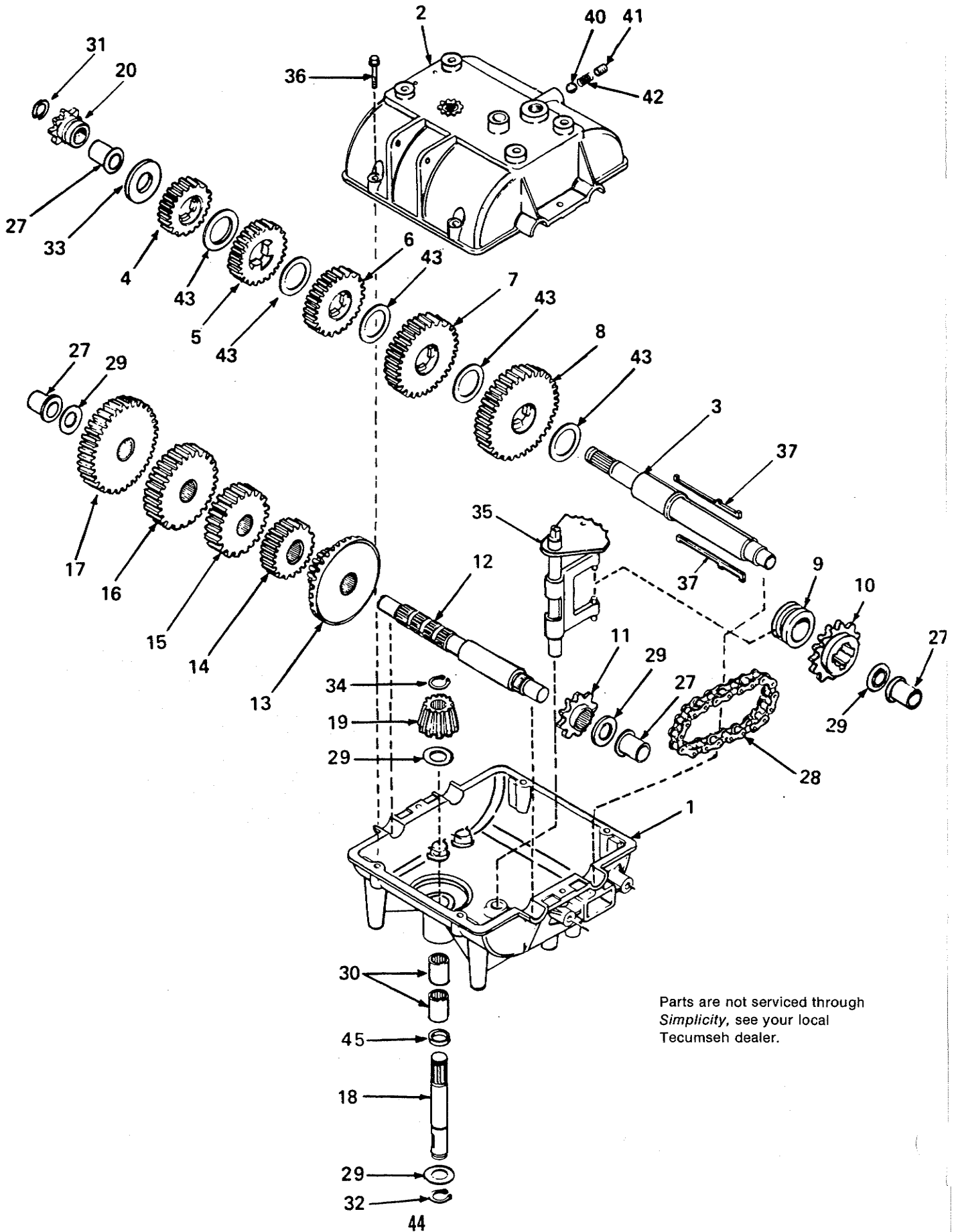
SAFETY DECALS



Ref. No. 3



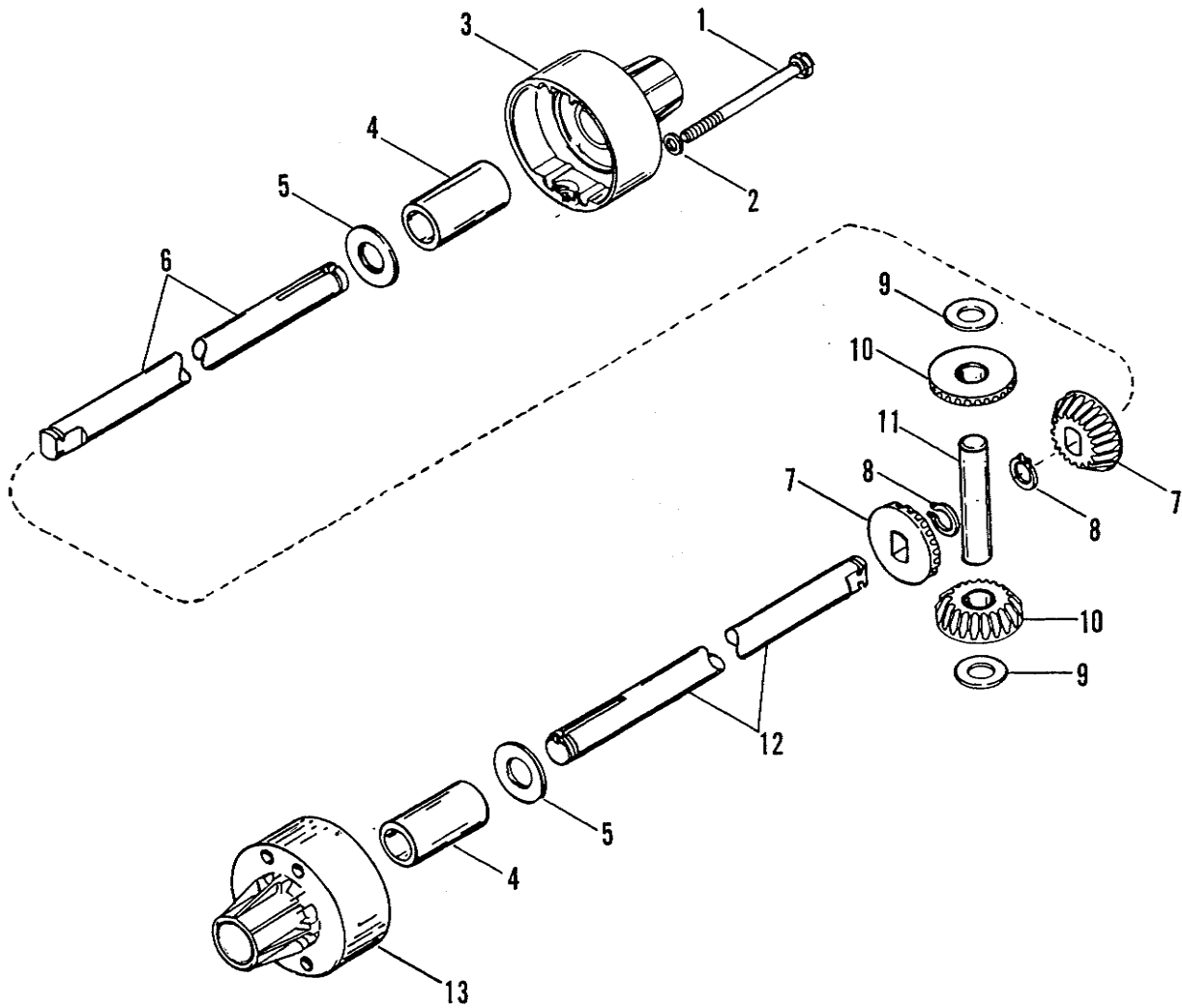
Ref. No. 8



Parts are not serviced through *Simplicity*, see your local Tecumseh dealer.

Ref. No.	Part No.	Qty.	Description
1	770061		CASE, Transmission
2	772070		COVER, Transmission
3	776164		SHAFT, Output
4	778121A		GEAR, Spur (20 teeth)
5	778122		GEAR, Spur (22 teeth)
6	778123		GEAR, Spur (25 teeth)
7	778124		GEAR, Spur (30 teeth)
8	778125		GEAR, Spur (35 teeth)
9	784266		COLLAR, Shift
10	786082		SPROCKET (18 teeth)
11	786082		SPROCKET (9 teeth)
12	776134		SHAFT, Counter
13	778109		GEAR, Bevel (42 teeth & 15 tooth spur gear)
14	778126		GEAR, Spur (20 teeth)
15	778127		GEAR, Spur (25 teeth)
16	778128		GEAR, Spur (28 teeth)
17	778129		GEAR, Spur (30 teeth)
18	776135		SHAFT, Input
19	778113A		BEVEL PINION, Input
20	786047		SPROCKET (8 teeth)
27	780105		BUSHING, Flanged
28	876081		CHAIN, Roller (No. 41 chain, 24 links)
29	780072		RACE, Thrust
30	780086		BEARING, Needle
31	792072		RING, Retaining
32	792035		RING, Retaining
33	780109		WASHER
34	788040		RING, Retaining
35	784267		ROD & FORK ASSY., Shift
36	792073		SCREW, Hex Hd., Taptite, 1/4-20 x 1-1/4
37	792089A		KEY
40	792077		BALL, Steel, 5/16
41	792078		SCREW, Set, 3/8-16 x 3/8
42	792079		SPRING
43	780108		WASHER, Thrust
45	792001		RING, Square Cut

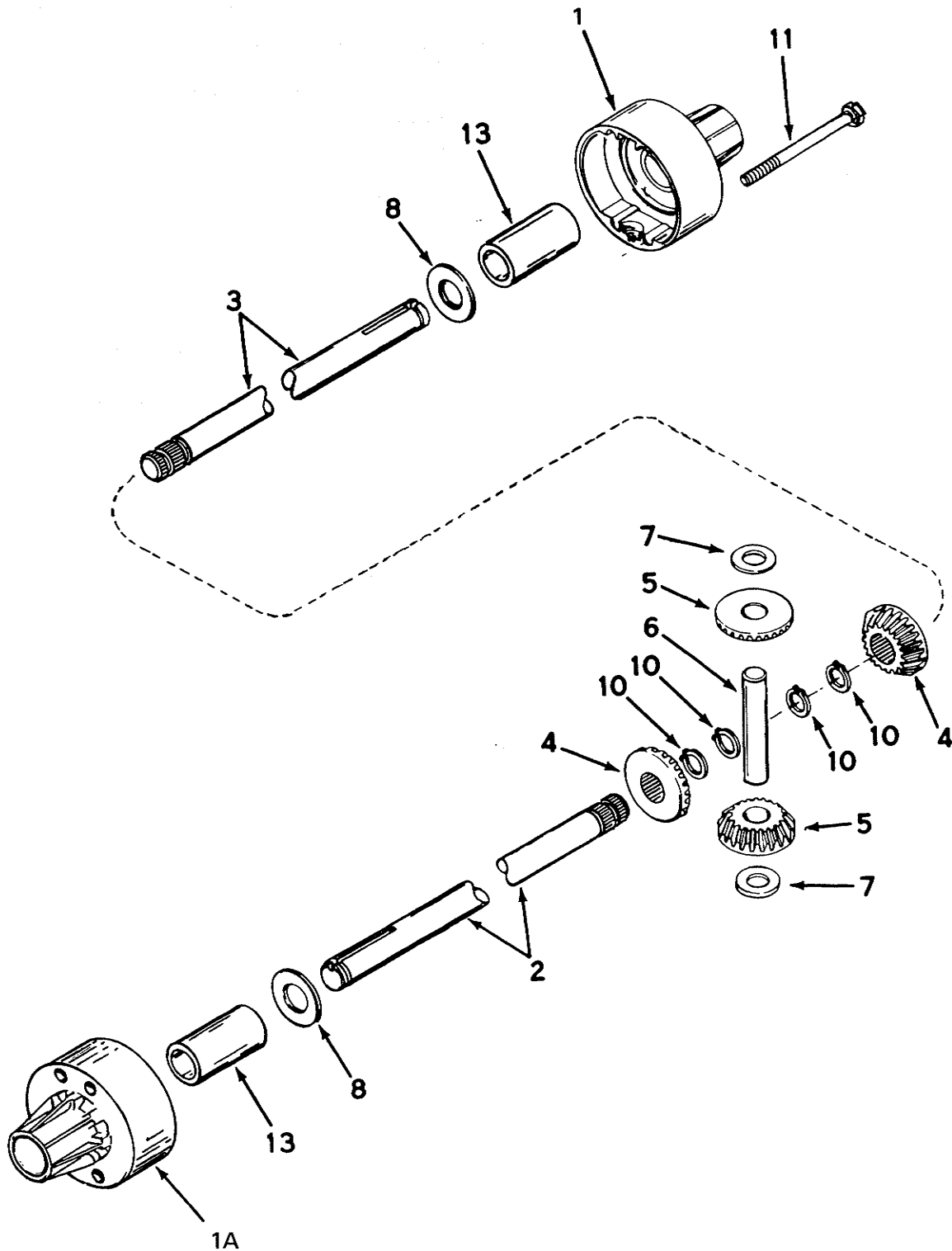
Parts are not serviced through Simplicity, order from your local Tecumseh distributor.



Parts are not serviced through
Simplicity. See your local
Tecumseh dealer.

Ref. No.	Part No.	Qty.	Description
1	792044	4	CAPSCREW, Hex, 5/16-18 x 4
2	729061	4	WASHER
3	774345	1	HOUSING, Differential (Includes Ref. No. 4)
4	780077	2	BUSHING
5	780001	2	WASHER
6	774442	1	AXLE
7	778067	2	GEAR, Bevel
8	792018	2	RING, Snap
9	780096	2	WASHER, Thrust
10	778068	2	GEAR, Pinion
11	786040	1	PIN, Drive
12	774443	1	AXLE
13	774344	1	HOUSING, Differential (Includes Ref. No. 4)

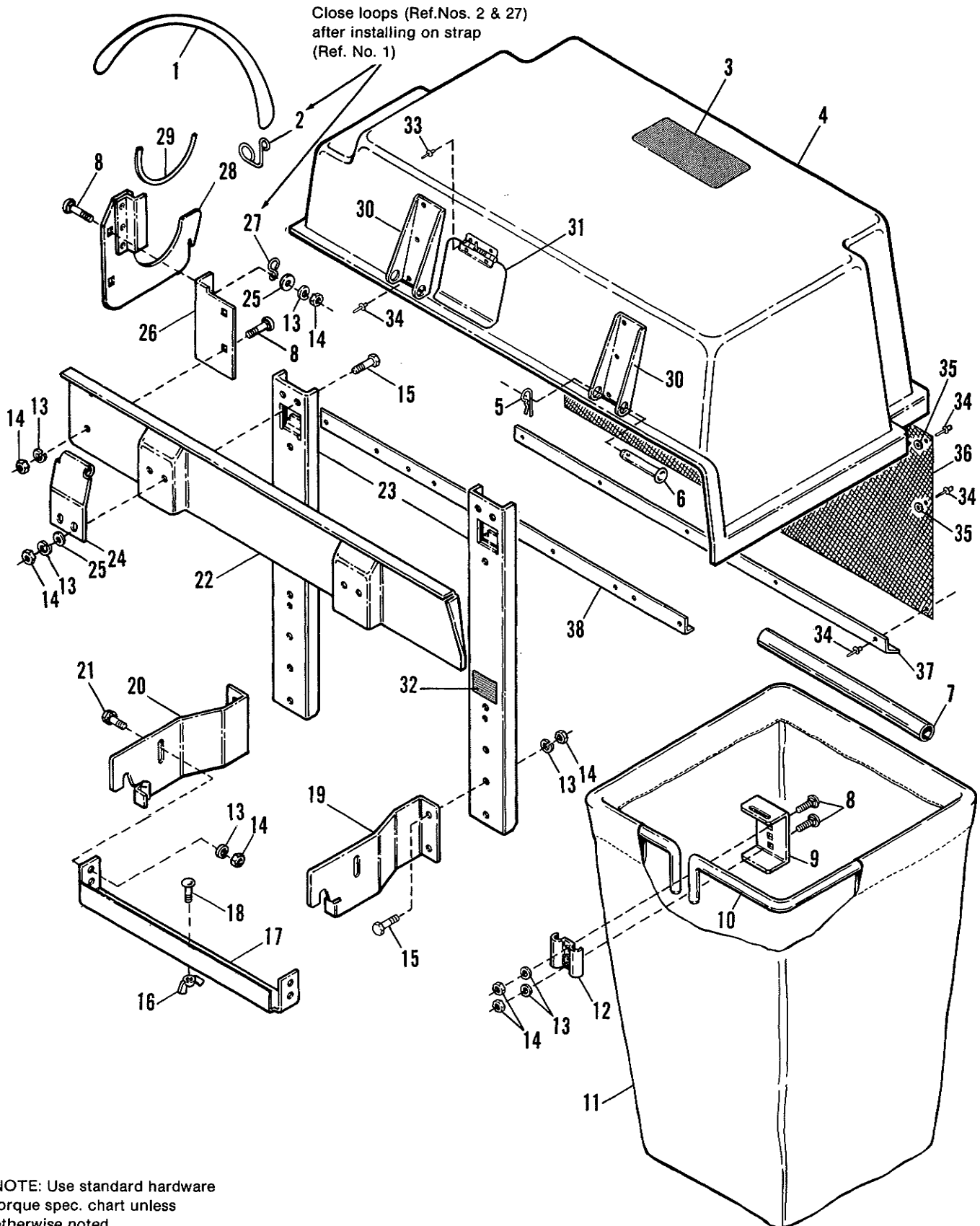
Parts are not serviced through Simplicity, order from your local Tecumseh Distributor.



Ref. No.	Part No.	Qty.	Description
1	774345	1	HOUSING, Differential Carrier (Incl. Ref. No. 13)
1A	774344	1	HOUSING, Differential Carrier (Incl. Ref. No. 13)
2	774725A	1	AXLE (8-19/32" Long)
3	774719A	1	AXLE (16-29/32" Long)
4	778221	2	GEAR, Bevel
5	778068	2	GEAR, Bevel
6	786040	1	PIN, Drive
7	780096	2	WASHER, Thrust
8	780001	2	WASHER
10	792125	4	RING, Retaining (Pkg. of 2)
11	792044	4	SCREW, Flanged Hex Hd., 5/16-18 x 3-15/16
13	780077	2	BUSHING

SPROCKET CHART

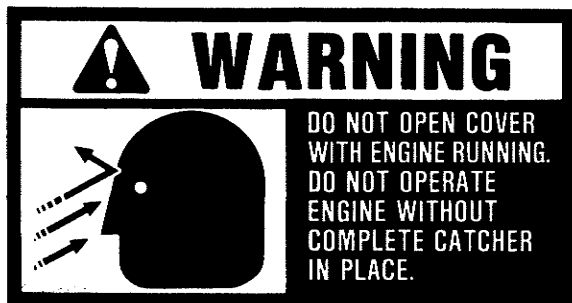
Part Number	No. of Teeth	O.D.
786041A	45	7.389
786042	50	6.650
786043	54	8.823
786051	60	9.841
786070	48	7.920



NOTE: Use standard hardware torque spec. chart unless otherwise noted.

Ref. No.	Part No.	Qty.	Description
1	1665872	1	STRAP
2	1672688	1	HOOK, Strap
3	1676923	1	DECAL, Warning
4	1675293	1	COVER ASSY. (Incl. Ref. Nos. 3, 30, 32 & 33 thru 38)
5	1960074	2	CLIP, Hair Pin
6	1672344	2	PIN
7	1675707	2	TUBE, Clip
8	1923055	8	BOLT, Carriage, 5/16-18 x 7/8
9	1672333	2	HANGER
10	1673602	2	HOOP, Bag
11	1672346	2	BAG, Grass
12	1672023	2	CLAMP
13	1917356	24	LOCKWASHER, 5/16
14	1917372	24	NUT, Hex, 5/16-18
15	1923325	8	CAPSCREW, Hex, 5/16-18 x 7/8
16	1933126	1	NUT, Winglock, 5/16-18
17	1672336	1	BRACE, Lower
18	1921158	1	BOLT, Carriage, 5/16-18 x 1
19	1677475	1	SUPPORT, L.H.
20	1677476	1	SUPPORT, R.H.
21	1930591	4	SCREW, Hex, Whizlock, Flange, 5/16 x 3/4
22	1672341	1	SUPPORT PLATE, Cover
23	1672337	2	BRACE, Upper
24	1672345	2	HINGE, Plate
25	1919326	5	WASHER, 11/32
26	1672325	1	MOUNT, Saddle Bracket
27	1672689	1	"S" HOOK
28	1672335	1	BRACKET ASSY., Saddle
29	1673874	1	TRIM
30	1672324	2	BRACKETS, Hinge
31	1673201	1	DOOR (with hinge)
32	1676924	1	DECAL (Catcher Frame)
33	1673450	2	RIVET, Pop
34	1673320	32	RIVET, Pop
35	910531	4	WASHER, Rivet
36	1672340	1	SCREEN
37	1672322	1	BRACKET
38	1672323	1	BRACKET, Front Cover

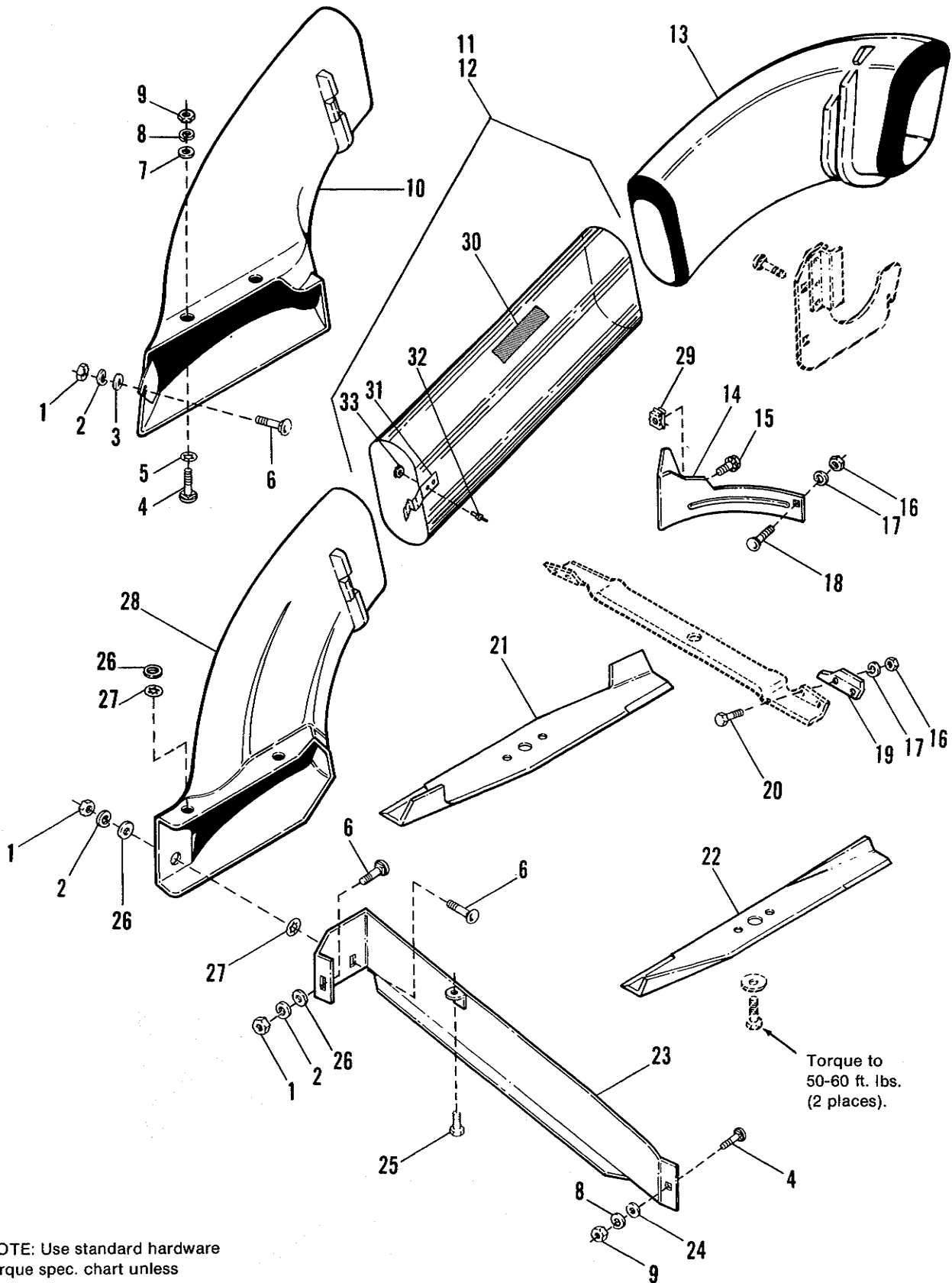
SAFETY DECALS



Ref. No. 3

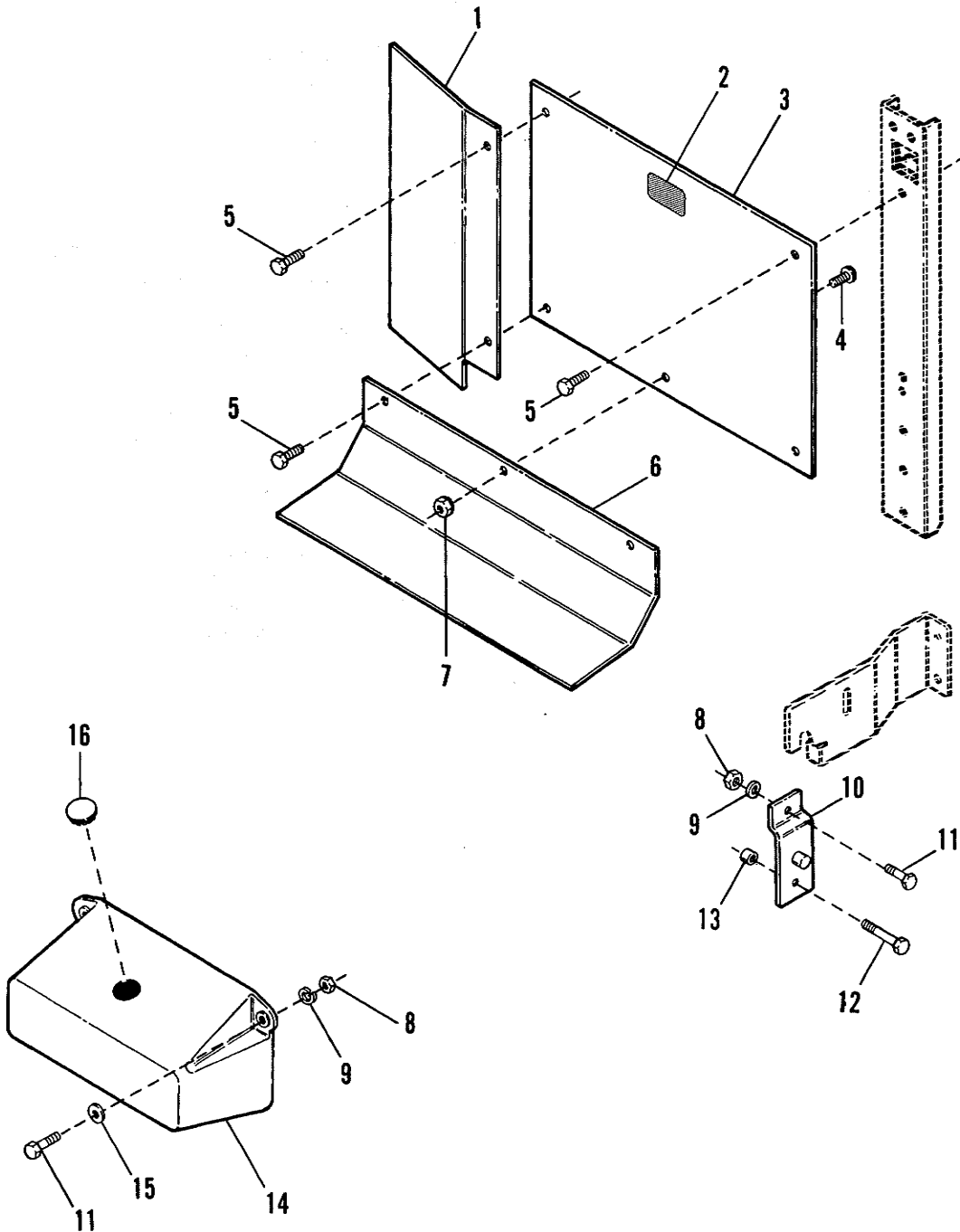


Ref. No. 32



NOTE: Use standard hardware torque spec. chart unless otherwise noted.

Ref. No.	Part No.	Qty.	Description
1	1916950	2	NUT, Hex, 3/8-16 (Qty 1 on 1690822)
2	1916965	2	LOCKWASHER, 3/8 (Qty. 1 on 1690822)
3	1922755	1	WASHER, 13/32 x 1 (1690822 only)
4	1923055	2	BOLT, Carriage, 5/16-18 x 7/8
5	1933988	2	NUT, Push On (1690822 only)
6	1931348	2	BOLT, Carriage, 3/8-16 x 3/4 (Qty. 1 on 1690822)
7	1960044	2	WASHER (1690822 only)
8	1917356	2	LOCKWASHER, 5/16 (Qty. 1 on 1690820)
9	1917372	2	NUT, Hex, 5/16-18 (Qty. 1 on 1690820)
10	1673202	1	ADAPTOR ASSY. (1690822 only)
11	1673683	1	TUBE ASSY. (1690820 only) (Incl. Ref. Nos. 30-33)
12	1673681	1	TUBE ASSY. (1689822 only) (Incl. Ref. Nos. 30-33)
13	1669793	1	ELBOW
14	1672171	1	BAFFLE, Deflector, Side (1690820 only)
15	1931646	1	SCREW, Whizlock, 1/4-20 x 1/2 (1690820 only)
16	1916622	4	NUT, Hex, 1/4-20 (Qty. 1 on 1690820)
17	1916964	4	LOCKWASHER, 1/4 (Qty. 1 on 1690820)
18	1923333	1	BOLT, Carriage, 1/4-20 x 5/8 (1690820 only)
19	1665419	2	PLATE, Lift (1690822 only)
20	1935105	4	CAPSCREW, 1/4-20 x 5/8 (1690822 only)
21	1671565	1	BLADE, R.H. Side (1690820 only)
22	1671593	1	BLADE, L.H. Side (1690820 only)
23	1656053	1	BAFFLE ASSY., Discharge (1690820 only)
24	1917377	1	LOCKWASHER, 1/4 (1690820 only)
25	1924856	1	SCREW, Taptite, 5/16-18 x 1/2 (1690820 only)
26	1917378	4	WASHER, 3/8 (1690820 only)
27	1931942	3	NUT, Push On (1690820 only)
28	1669029	1	ADAPTOR (1690820 only)
29	1920462	1	NUT, Retainer, 1/4-20 (1690820 only)
30	1675766	1	DECAL, Cleaning Instructions.
31	1673757	1	SPRING, Retaining, Tube
32	928706	2	RIVET, Tube
33	910531	2	WASHER, Rivet



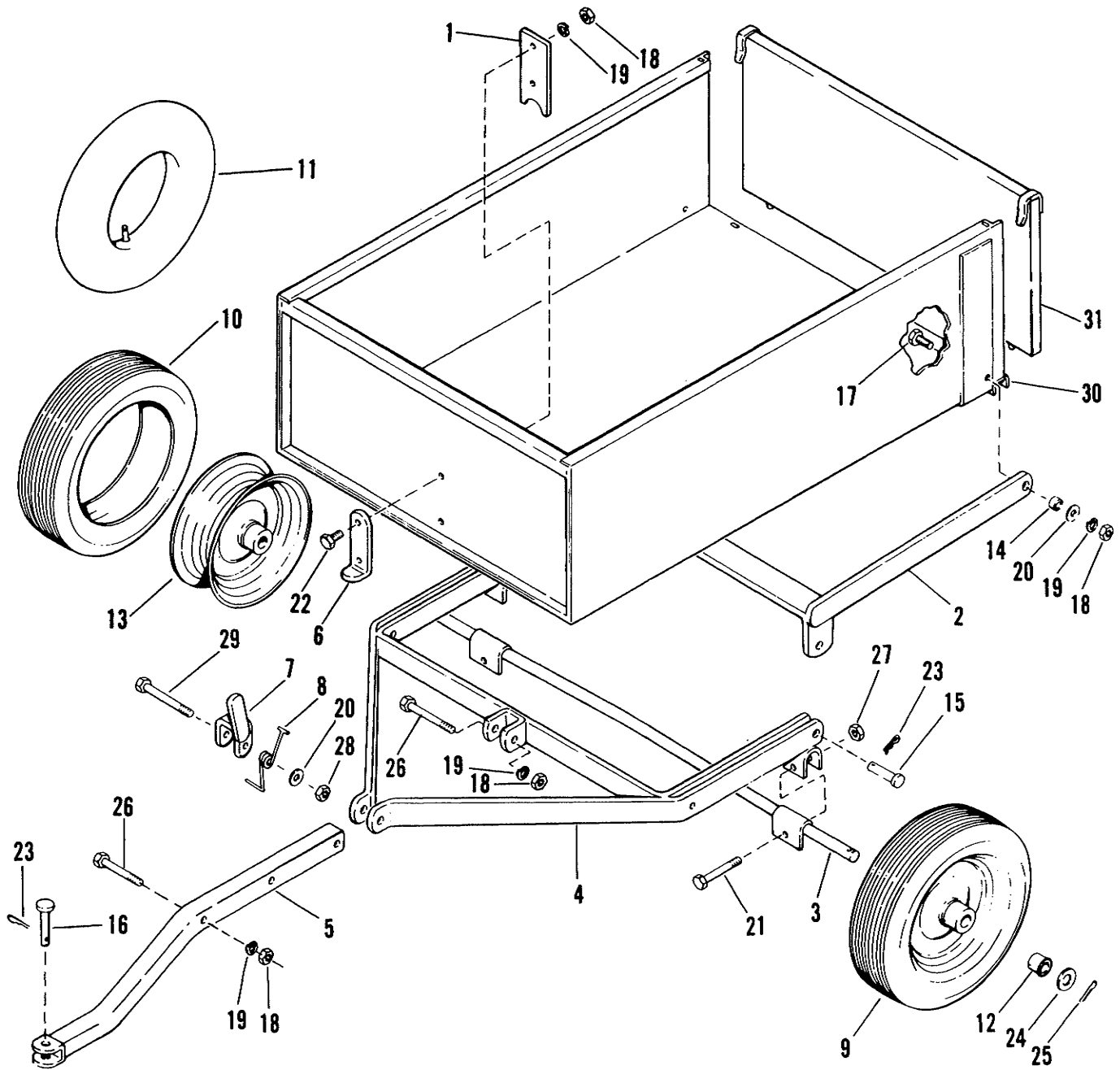
NOTE: Use standard hardware torque spec. chart unless otherwise noted.

Ref. No.	Part No.	Qty.	Description
1	1672652	1	HEAT DEFLECTOR, Side
2	1676920	1	DECAL, Hot Surface
3	1672587	1	HEAT DEFLECTOR, Upper
4	1930531	1	SCREW, Truss Hd., 10-32
5	1924856	4	SCREW, Taptite, 5/16-18 x 1/2
6	1672588	1	HEAT DEFLECTOR, Lower
7	1928919	1	NUT, Lock
8	1917372	4	NUT, 5/16-18
9	1917356	4	LOCKWASHER, 5/16
10	1673075	2	SUPPORT ASSY.
11	1921333	4	CAPSCREW, Hex, 5/16-18 x 1
12	1921221	2	CAPSCREW, Hex, 5/16-18 x 1-1/2
13	1665699	2	SPACER
14	1666739	1	COUNTERWEIGHT
15	1919381	2	WASHER, 11/32 x 1
16	1674020	1	PLUG, Hole

SAFETY DECAL

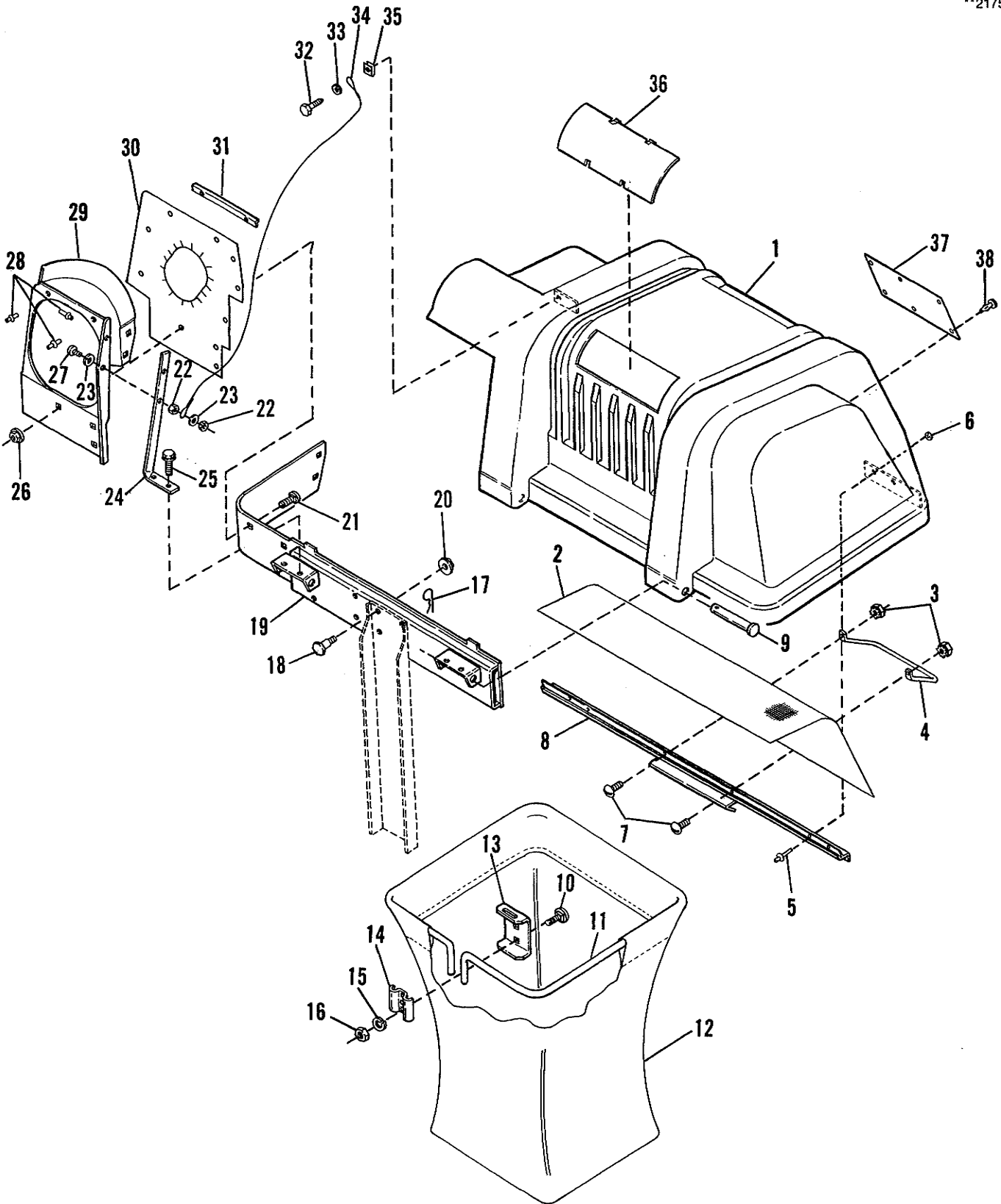


Ref. No. 2



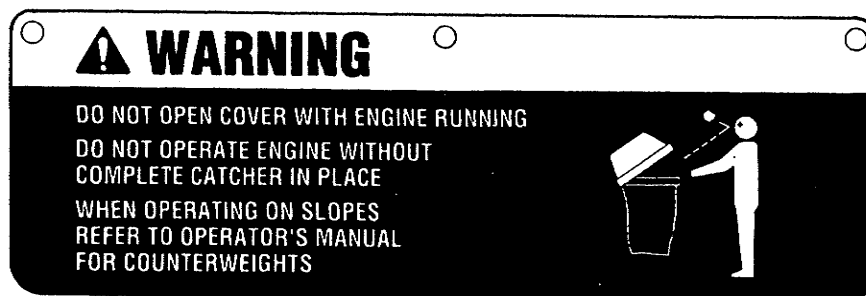
NOTE: Use standard hardware torque spec. chart unless otherwise noted.

Ref. No.	Part No.	Qty.	Description
1	102005	1	PLATE, Box Guide
2	102024	1	PIVOT, Box Assy.
3	102027	1	AXLE ASSEMBLY
4	102035	1	FRAME ASSEMBLY
5	102037	1	TONGUE ASSEMBLY
6	102040	1	PLATE, Box Catch
7	102051	1	CLEVIS ASSEMBLY
8	102075	1	SPRING, Tension
9	170320	2	WHEEL & TIRE ASSY. (Incl. Ref. No. 10-13)
10	102052	2	TIRE, 4.00 x 8
11	153038	2	TUBE, 4.80/4.00-8
12	156316	4	BEARING
13	170319	2	WHEEL
14	8151076	2	BUSHING
15	102004	2	PIN, Pivot
16	105249	1	PIN
17	1921210	2	CAPSCREW, Hex, 3/8-16 x 1
18	1916950	6	NUT, Hex, Full, 3/8-16
19	1916965	6	LOCKWASHER, 3/8
20	1924940	3	WASHER, 3/8
21	1921978	2	CAPSCREW, 5/16-18 x 2
22	1920415	2	CAPSCREW, Hex, 3/8-16 x 1-1/4
23	1918196	3	PIN, Quick
24	1918433	2	WASHER, Plain, 3/4
25	1918459	2	PIN, Cotter, 3/16 x 1-1/2
26	1922130	2	CAPSCREW, Hex, 3/8-16 x 2-1/4
27	1923362	2	LOCKNUT, Hex, Full, 5/16-18
28	1930651	1	LOCKNUT, Hex, Full, 3/8-16
29	930596	1	CAPSCREW, Hex, 3/8-16 x 2-3/4
30	1668478	1	BODY, Trailer
31	1668462	1	GATE END

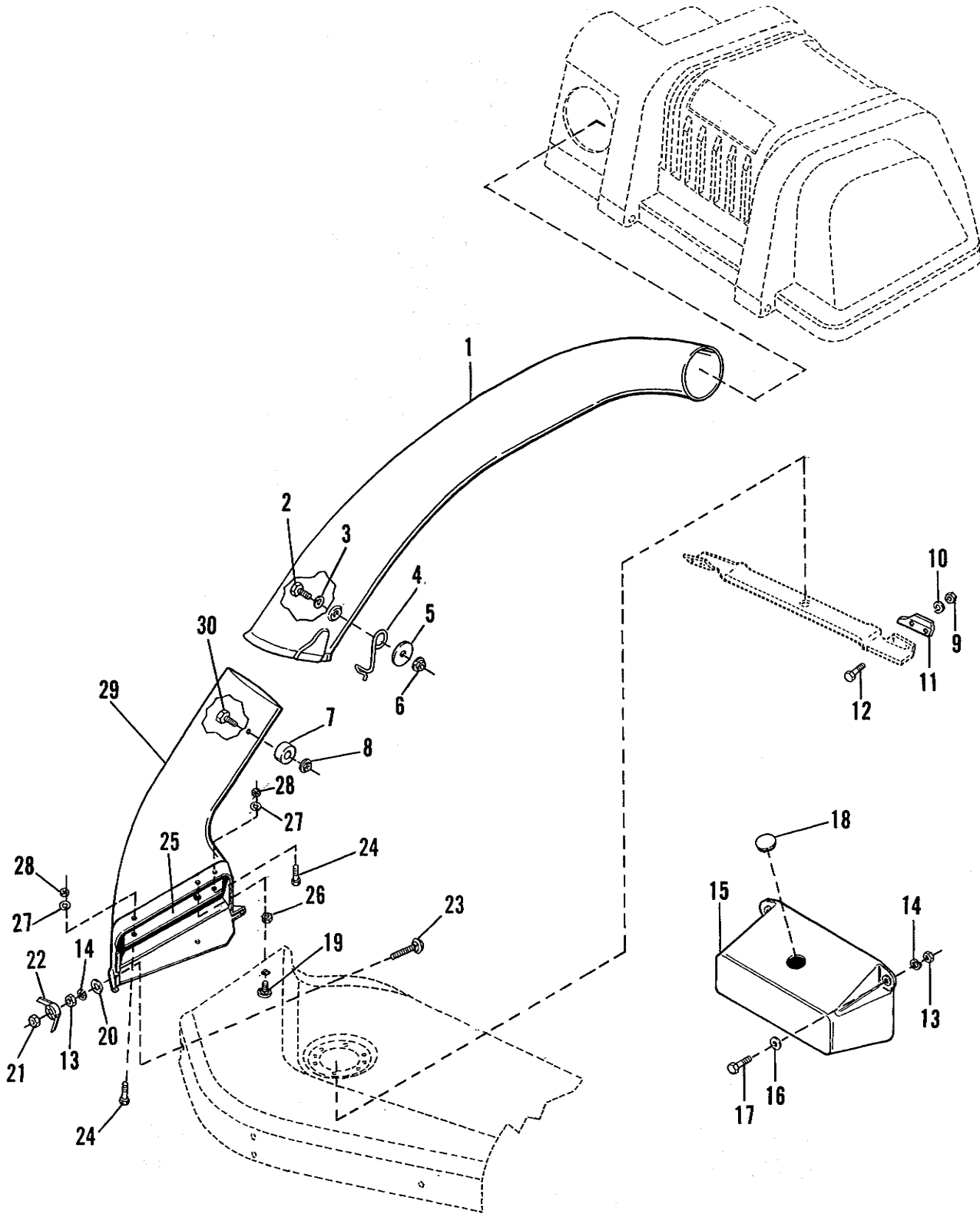


NOTE: Use standard hardware torque spec. chart unless otherwise noted.

Ref. No.	Part No.	Qty.	Description
1	1704056	1	COVER (Incl. Ref. Nos. 2, 5, 6, 8 & 32-35)
2	1703700	1	SCREEN
3	1928919	2	NUT, Hex, #10-32
4	1703853	1	HANDLE, Latch
5	1675043	4	RIVET, Pop
6	1910531	4	WASHER
7	1930531	2	SCREW, Truss. Hd., #10-32 x 1/2
8	1704057	1	SEAL, Clip
9	960367	2	PIN, Round Head
10	1931333	4	CARRIAGE BOLT, 5/16-18 x 3/4
11	1703855	2	HOOP, Bag
12	1703764	2	BAG, Grass
13	1703807	2	HANGER
14	1672023	2	CLAMP
15	1917356	4	LOCKWASHER, 5/16
16	1917372	4	NUT, Hex, 5/16-18
17	1960221	2	PIN, Hair Clip
18	1921966	4	CAPSCREW, Hex Hd., 3/8-16 x 7/8
19	1703822	1	CROSS ASSY.
20	1928352	4	NUT, Hex Whizlock, 3/8-16
21	1960252	5	CARRIAGE BOLT, 1/4-20 x 5/8
22	1960077	2	NUT, Hex Lock, #8-32
23	1960096	2	WASHER
24	1704507	1	STRAP, Tube Support
25	1927428	2	TAPTITE, 1/4-20 x 3/8
26	1930642	5	LOCKNUT, Flange, 1/4-20 End Lock
27	1960399	1	SCREW, Rnd. Hd., #8-32 x 7/8
28	1960381	7	RIVET, Pop
29	1704075	1	SUPPORT, Tube (Incl. Ref. Nos. 22, 23, 24 & 27-31)
30	1704135	1	SEAL, Cover
31	1704508	3	BRACKET SEAL
32	1960400	1	SCREW, Self Tap, #10-12 x 5/8
33	1921319	1	WASHER, Plain, 1/4
34	1705876	1	CABLE, Double Loop
35	933886	1	NUT, Speed
36	1704180	2	WINDOW
37	1704405	1	DECAL, Safety
38	1667248	6	CLIP, Canoe

SAFETY DECAL

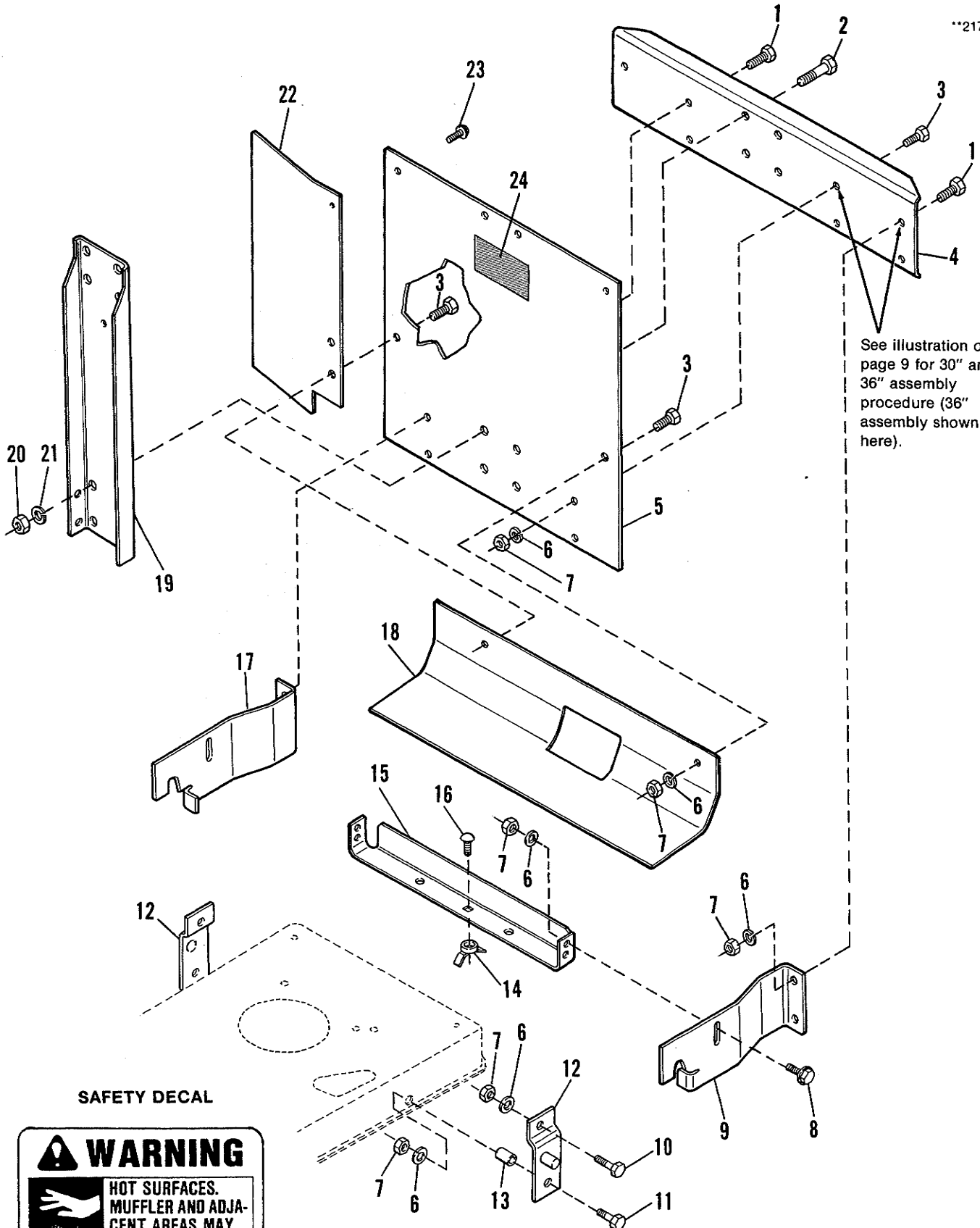
Ref. No. 37



NOTE: Use standard hardware torque spec. chart unless otherwise noted.

Ref. No.	Part No.	Qty.	Description
1	1703769	1	TRANSFER TUBE
2	1960122	1	CAPSCREW, Hex Hd.
3	1919326	1	WASHER, Flat
4	1704603	1	LATCH, Tube
5	1960185	1	WASHER, Flat
6	1935048	1	NUT, Flange Lock
7	1704341	1	WASHER, Special
8	1914438	1	NUT, Esna Hex Lock, 5/16-18
9	1916622	4	NUT, Hex, 1/4-20
10	1916964	4	LOCKWASHER, Spring, 1/4
11	1665419	2	LIFT PLATE
12	1935105	4	CAPSCREW, 1/4-20 x 5/8, Gr. 8
13	1917372	3	NUT, Hex Hd., 5/16-18
14	1917356	3	LOCKWASHER, Spring, 5/16
15	1666739	1	COUNTERWEIGHT
16	1919381	2	WASHER, Pin
17	1921333	2	CAPSCREW, Hex Hd., 5/16-18 x 1
18	1674020	1	PLUG, Hole
19	1931333	1	CARRIAGE BOLT, 5/16-18 x 3/4
20	1679164	1	CUP
21	1923362	1	NUT, Hex, Centerlock, 5/16-18
22	1679163	1	NUT, Wing Assy., 5/16
23	1960273	1	CARRIAGE BOLT, 5/16-16 x 2-1/4
24	926267	2	SCREW, Flat Hd., #10-24 x 5/8
25	1704356	1	STRAP, Reinforcement
26	1920161	1	NUT, Hex, Jam, 5/16-18
27	1960096	2	WASHER, Flat
28	1933896	2	NUT, Hex Hd., #10-24
29	1704327	1	ADAPTER, 30" Mower
30	1960371	1	CAPSCREW, Hex Hd., 5/16-18 x 3/4

**2176



See illustration on page 9 for 30" and 36" assembly procedure (36" assembly shown here).

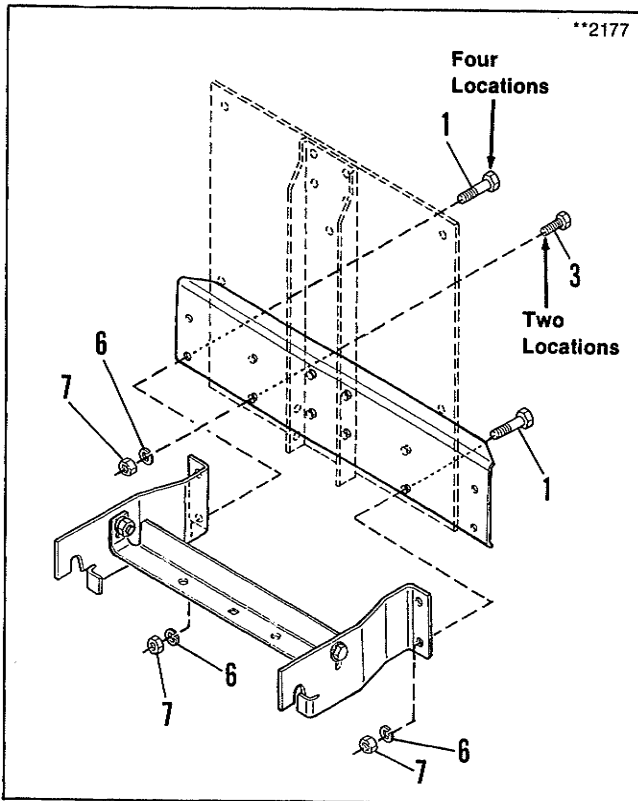
SAFETY DECAL



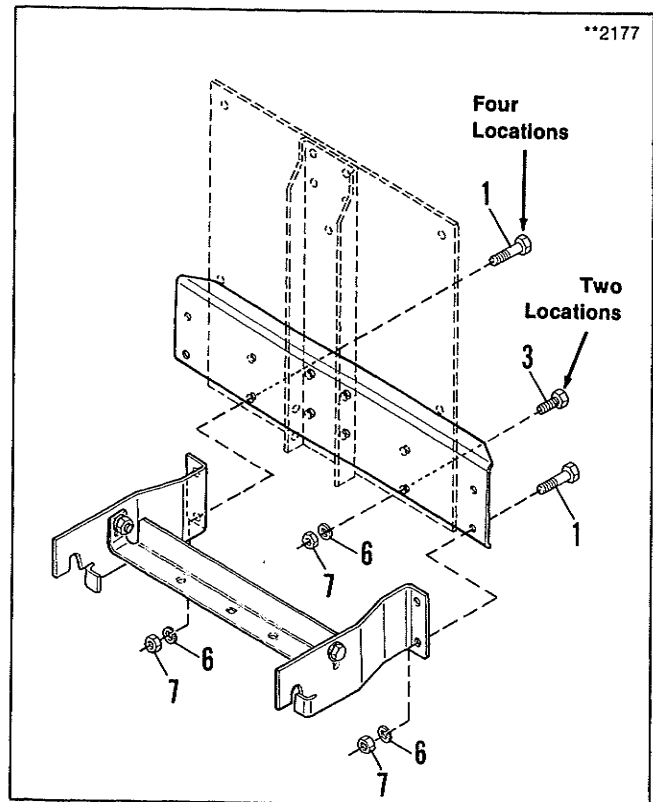
Ref. No. 24

NOTE: Use standard hardware torque spec. chart unless otherwise noted.

Ref. No.	Part No.	Qty.	Description
1	1921332	4	SCREW, Hex Hd., 5/16-18 x 3/4
2	1921210	4	CAPSCREW, Hex Hd., 3/8-16 x 1
3	1925205	4	CAPSCREW, Hex Hd., 5/16-18 x 5/8
4	1704353	1	CHANNEL, Cross
5	1704354	1	HEAT DEFLECTOR, Upper
6	1917356	16	LOCKWASHER, Spring, 5/16
7	1917372	16	NUT, Hex, 5/16
8	1930591	4	CAPSCREW, Hex, Flange Whizlock, 5/16-18 x 1/4
9	1677475	1	SUPPORT ASSY., L.H.
10	1921333	2	CAPSCREW, Hex Hd., 5/16-18 x 1
11	1921221	2	CAPSCREW, Hex Hd., 5/16-18 x 1-1/2
12	1673075	2	SUPPORT ASSY.
13	1665699	2	SPACER
14	933126	1	WING NUT, Lock, 5/16-18
15	1704318	1	BRACE, Lower
16	1931335	1	CARRIAGE BOLT, 5/16-18 x 1
17	1677476	1	SUPPORT ASSY., R.H.
18	1704020	1	HEAT DEFLECTOR, Lower
19	1703846	1	SUPPORT, Upright
20	1916950	4	NUT, Hex Hd., 3/8-16
21	1916965	4	LOCKWASHER, Spring, 3/8
22	1672652	1	HEAT DEFLECTOR, Side
23	1928729	2	SCREW, Taptite, 5/16 x 3/8
24	1676920	1	DECAL, Hot Surface

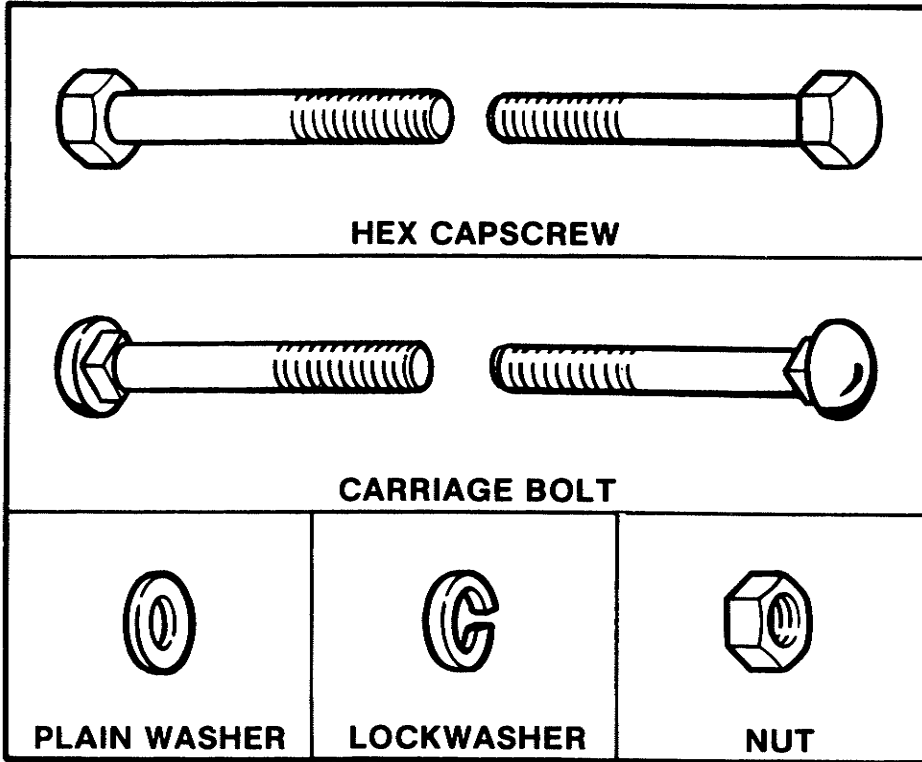


30" Assembly



36" Assembly

STANDARD FASTENER IDENTIFICATION CHART



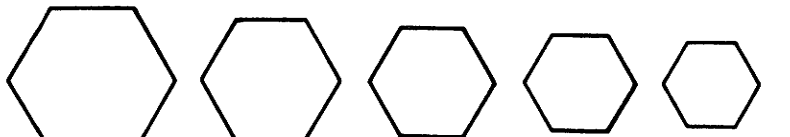
Hardware sizes are given in the illustrations throughout this manual.

If a washer or nut is identified as "washer, 1/2" or "nut, 1/2", this means the inside diameter is 1/2 inch.

If a screw is identified as "screw, 1/2 x 2", this means the shaft diameter is 1/2 inch and the shaft of the screw is 2 inches long. If a screw is identified as "screw, 1/2-16 x 2", the number "16" means that the screw has 16 threads per inch.

HEX CAPSCREW IDENTIFICATION

Shown below are actual size hex heads for standard screw sizes. Example: a 1/4" screw has a 7/16" head and thus requires a 7/16" wrench. To measure length, use the scale below.



3/4" Head screw with 1/2" S.D. 5/8" Head screw with 7/16" S.D. 9/16" Head screw with 3/8" S.D. 1/2" Head screw with 5/16" S.D. 7/16" Head screw with 1/4" S.D.

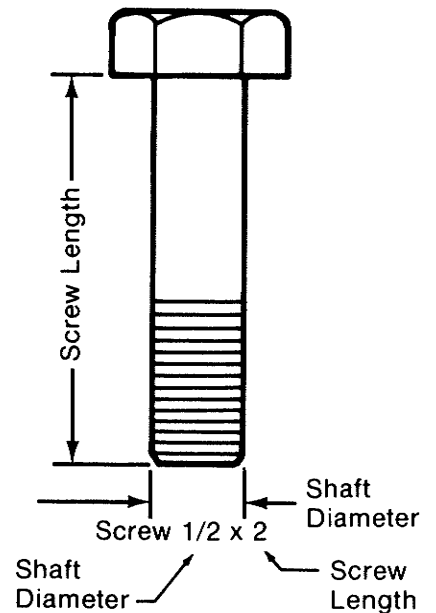
S.D. = Shaft Diameter



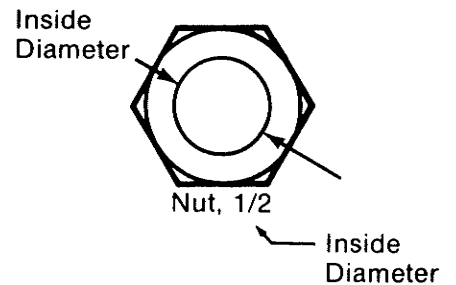
WASHER AND NUT IDENTIFICATION

Place the washer or nut on the above scale to determine the inside diameter. The actual inside diameter can vary 1/16 inch. Use the scale for comparison.

SAMPLE: SCREW IDENTIFICATION



SAMPLE: NUT IDENTIFICATION



SIMPLICITY MANUFACTURING, INC.
500 N. Spring St., P.O. Box 997
Port Washington, WI USA 53074-0997

TP-1098-05
PRINTED IN U.S.A.
©1991 6/91