

5200 SERIES

Gear Lawn Tractor

16 HP Tractor
Mfg. No. 1691030
Mfg. No. 1691031

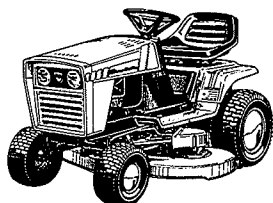
12.5 HP Tractor
Mfg. No. 1691175
Mfg. No. 1691238

12 HP Tractor
Mfg. No. 1691272

11 HP Tractor
Mfg. No. 1691095

36" Mower
Mfg. No. 1690839

42" Mower
Mfg. No. 1690708



PARTS MANUAL

Simplicity[®]

Product Identification:

When ordering parts, keep your products serial number and manufacturer's number in mind. Variations may occur in a part between early and later model products, causing the product serial number to be listed in the parts description whenever these variations occur.

Record your I.D. numbers here for quick, future reference.

Product Mfg. No. _____ S/N _____ Mower Mfg. No. _____ S/N _____

Attention:

Standard torques appear in a chart at the end of the manual, while important individual torques are given on specific parts drawings.

CRITICAL and MAJOR notations point out important facts or instructions which relate to personal safety and proper machine operation. Any CRITICAL notation **C** which may appear in this book, pinpoints characteristics which, if not properly followed, can create a safety hazard. Any MAJOR notation **M** which may appear in this book, marks characteristics which, if not properly followed, may result in operating failure, shortened product life, or greatly reduced quality of the unit.

For your convenience, assembly notes are included in parts drawings to assist in repair and assembly of unit.

NOTE: Specifications may change without notice.

SIMPLICITY PRODUCTS FOR THE PROPER CARE OF EQUIPMENT
 These genuine *Simplicity* products will help the owner extend the life of his equipment.

OILS - SPECIFICALLY BLENDED OF HIGH QUALITY BASE OILS & ADDITIVES.

Special Worm Gear (Roticul) Oil for use in all tillers and snowthrowers with worm gear auger drive. Required for protection of brass gears and mating parts. **Case of 12 Quarts, Part #1685100, Individual Quarts 118065.**

Multi-Purpose Hydraulic/Transmission Oil for use in most hydraulic applications, and hydrostatic and gear transmissions. Specific *Simplicity* applications: All hydrostatic transmissions, all bevel gear cases, all Broadmoor, Landlord, Sovereign, 4000, 6000, 7000 transmissions (except Peerless Gear Transmissions). (Not used in SunStar tractor transmission.) **Case of 12 Quarts, Part #1685516, 2½ Gallon Container, Part #1685539.**

2-Cycle Engine Oil, a premium lubricant for all 2-cycle air-cooled engines. **Case of 12 Part #1685517.**

SAE 5W 30 SF/CD Cold Weather Engine Oil for use in all four cycle and diesel engines at 30° temp. and under. **Case of 12 Quarts, Part # 1685576.**

SAE 15W40 SF/CD Engine Oil for gas and diesel engines, warm weather; see engine manufacturer recommendations. **Case of 12 Quarts, Part #1685554.**

Grease Gun Kit has 12" flexible hose to get into tight spots with ease. Kit contains: gun and 1-8 oz. tube of grease, **Part #1685510.** For replacement tube, order **Part # 103077.**

Pneumatic Tire Seal, seals all leaks including bead leaks and punctures up to 3/16 inch diameters. Prevents flats for tread life of tire. Available in following amounts.

- Case of 12 - 11 Oz. Tubes** 1685537
- Case of 24 - 11 Oz. Tubes** 1685525
- 5 Gallon Pail** 1685527

Touch-Up Paint keeps equipment in showroom condition.

Spray Cans	Quarts	Daubers 12/Ctn.
*Simplicity Orange - 103262 (12 cans/1685179)	1685037	1685520 - Mixed (6 Simp. Orange, 6 White)
**Classic Orange - 1685558 (12 cans/1685559)	1685560	1685562 - Mixed (6 Classic Orange, 6-White)
White 103049 (12 cans/1685178)	1685032	1685562 - Mixed (6-Classic Orange, 6-White) 1685520 - Mixed (6-Simp. Orange, 6-White)
Black - 1685551 (12 Cans/1685552)	N.A.	N.A.

*For 1977 thru early 1986 products.
 **For products produced after 12/1/85.

Simplicity Designer Seat Covers are double stitched, easy care vinyl. Keeps new seats new, makes worn seats look new.

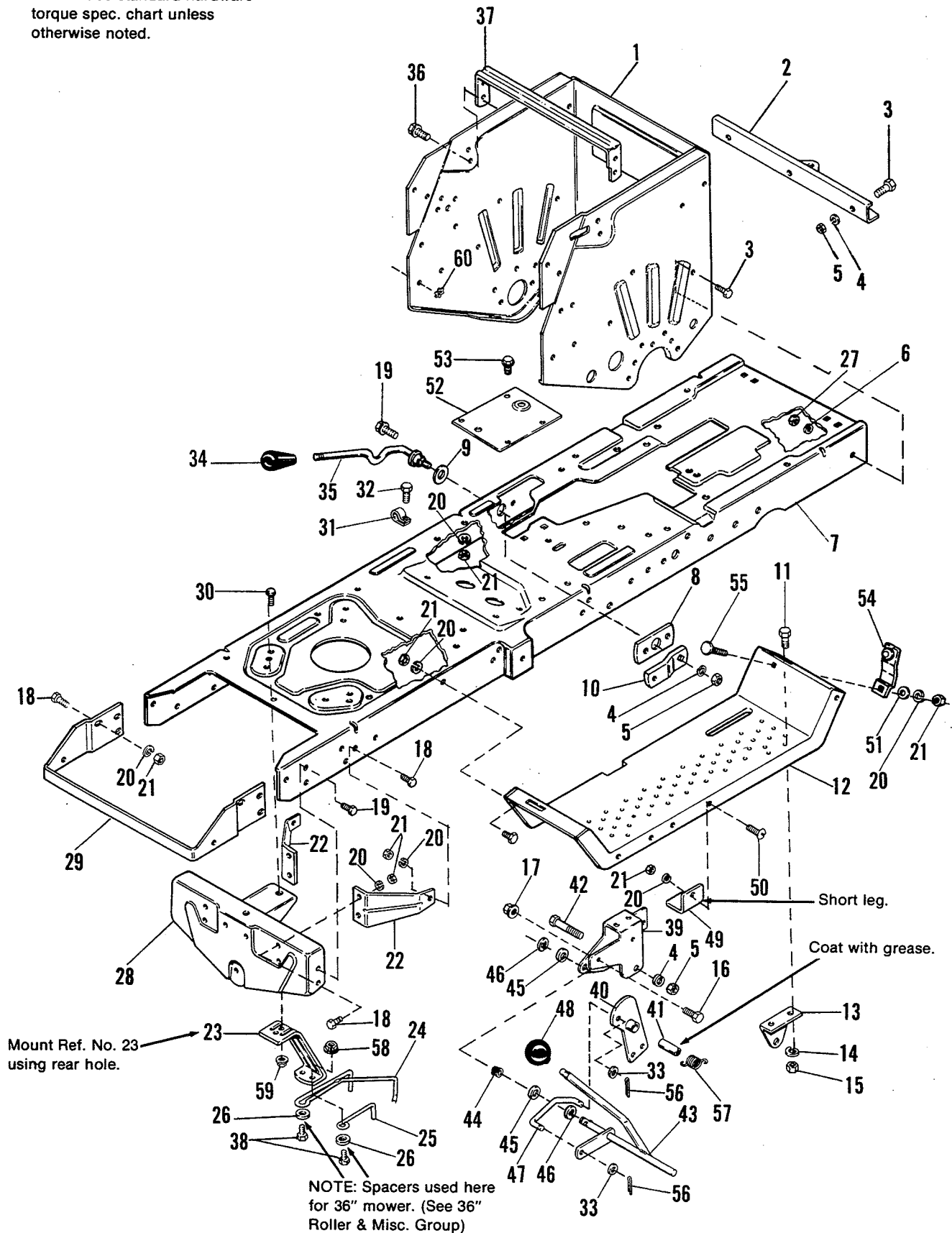
- **Small Cover for 4000, 5000, & 6100 Tractors** 1685540
- **Large Cover for 6200, 7000 & 9000 Tractors** 1685541
- **SunStar Seat Cover** 1685577

Extend Equipment Life - Use Only Genuine *Simplicity* Parts

Table of Contents

FRAME GROUP	2
FRONT AXLE GROUP (Early Models)	6
FRONT AXLE GROUP (Later Models)	8
STEERING & FRONT WHEEL GROUP	10
ENGINE GROUP (Mfg. No. 1691095, 1691272)	12
ENGINE GROUP (Mfg. No. 1691030, 1691031, 1691175, 1691238)	14
REAR TIRES & DRIVE GROUP (Mfg. No. 1691095, 1691175, 1691272)	16
REAR TIRES & DRIVE GROUP (MFG. No. 1691030)	18
REAR TIRES & DRIVE GROUP (MFG. No. 1691031)	20
BRAKE & CLUTCH GROUP	22
ELECTRICAL GROUP	24
HOOD, GRILLE & DASH GROUP	26
SEAT & DECK GROUP	28
36" MOWER DECK & ARBOR GROUP	30
36" CLUTCH & ROLLER SUPPORT GROUP	32
36" ROLLERS & MISC. GROUP	36
42" MOWER DECK GROUP	38
42" ARBOR GROUP	40
42" CLUTCH & ROLLER SUPPORT GROUP	42
42" HEIGHT ADJUSTING & ROLLER GROUP	44
DECAL GROUP	46
PEERLESS TRANSAXLE MODEL 801-019A	48
STANDARD HARDWARE TORQUE SPECIFICATIONS	Inside Back Cover

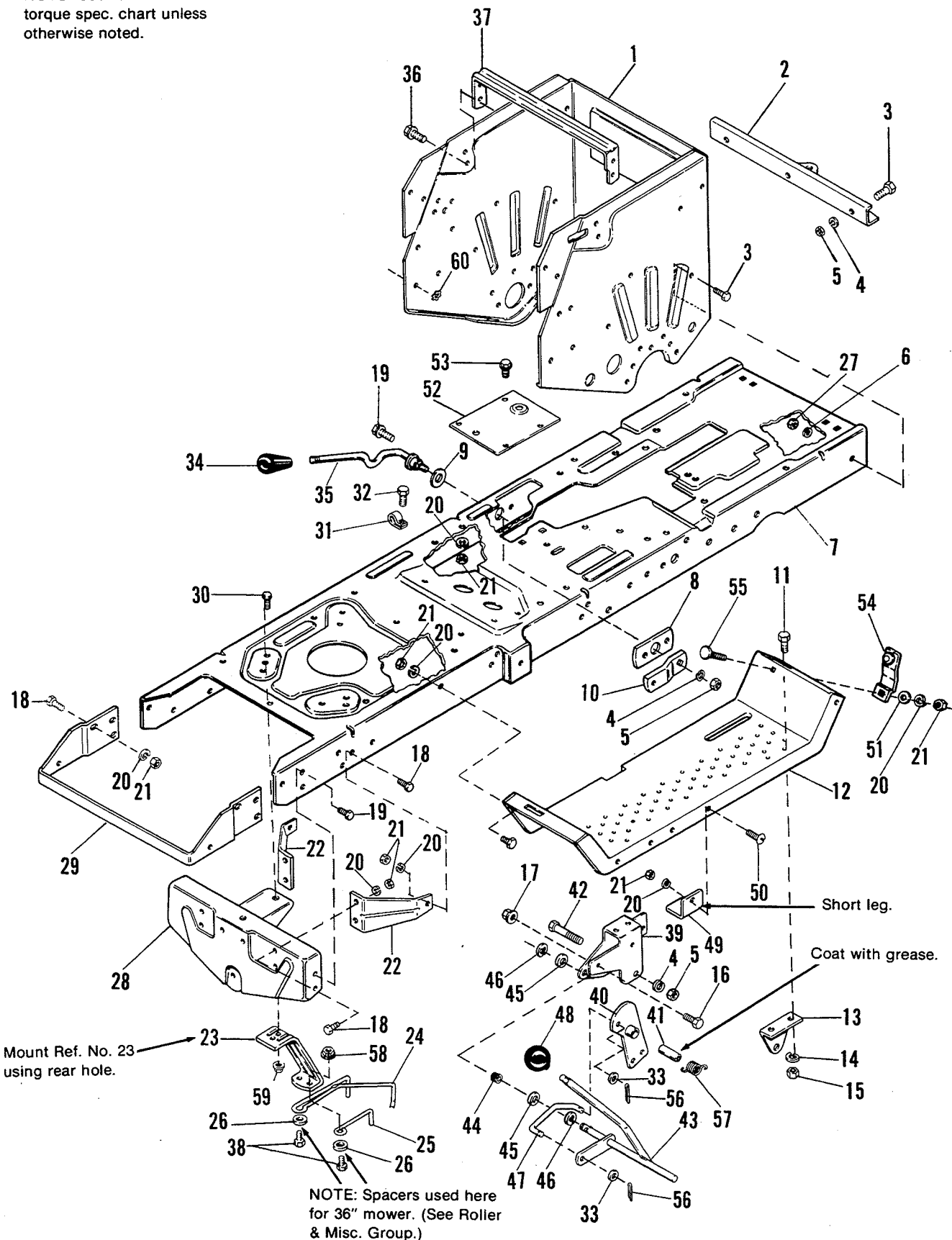
NOTE: Use standard hardware torque spec. chart unless otherwise noted.



Ref. No.	Part No.	Qty.	Description
1	1671749	1	SUPPORT, Axle, Wrapper
2	1655591	1	BAR, Draw
3	921210	9	CAPSCREW, Hex Hd., 3/8-16 x 1
4	1916965	4	LOCKWASHER, 3/8
5	1916950	4	NUT, Hex, Full, 3/8-16
6	916965	6	LOCKWASHER, 3/8, Zinc Pltd.
7	1674420	2	FRAME
8	1656754	1	BAR, Support
9	156116	1	WASHER, Nylon
10	1656755	1	ARM, Support
11	921959	2	CAPSCREW, Hex Hd., 1/4-20 x 5/8
12	1674141	2	FOOTREST
13	1654783	1	SUPPORT, Clutch
14	1916964	2	LOCKWASHER, 1/4
15	1916622	2	NUT, Hex, Full 1/4-20
16	936517	2	CAPSCREW, Hex, Wash. Hd., 1/4-20 x 5/8
17	1930641	2	NUT, Flange, Whizlock, 1/4-20
18	1921332	20	CAPSCREW, Hex Hd., 5/16-18 x 3/4
19	1664847	4	SCREW, Hex, Taptite, 5/16-18 x 3/4
20	1917356	26	LOCKWASHER, 5/16
21	1917372	26	NUT, Hex, Full, 5/16-18
22	1655076	2	BRACE, Axle Support
23	1665803	1	SUPPORT
24	1672118	1	STOP, Belt
25	1665812	1	STOP, Belt
26	1917377	1	WASHER, Plain, 1/4
27	916950	6	NUT, Hex, 3/8-16, Zinc Pltd.
28	1663855	1	SUPPORT, Axle
29	1666954	1	SUPPORT, Hood
30	1930595	1	CAPSCREW, Hex Hd., 5/16-18 x 1-1/4

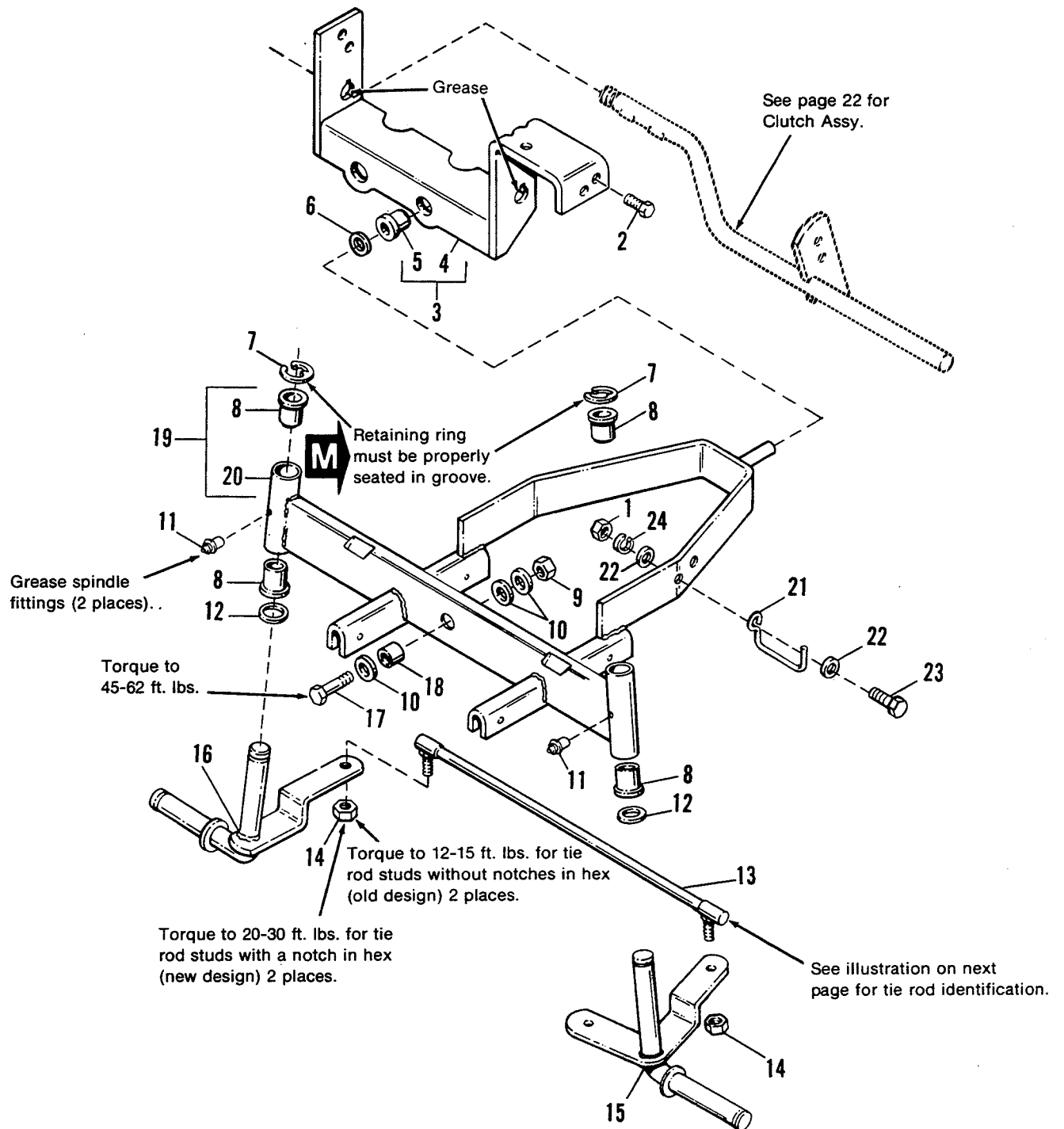
NOTE: Ref. Nos. 31-60 found on the following page.

NOTE: Use standard hardware torque spec. chart unless otherwise noted.



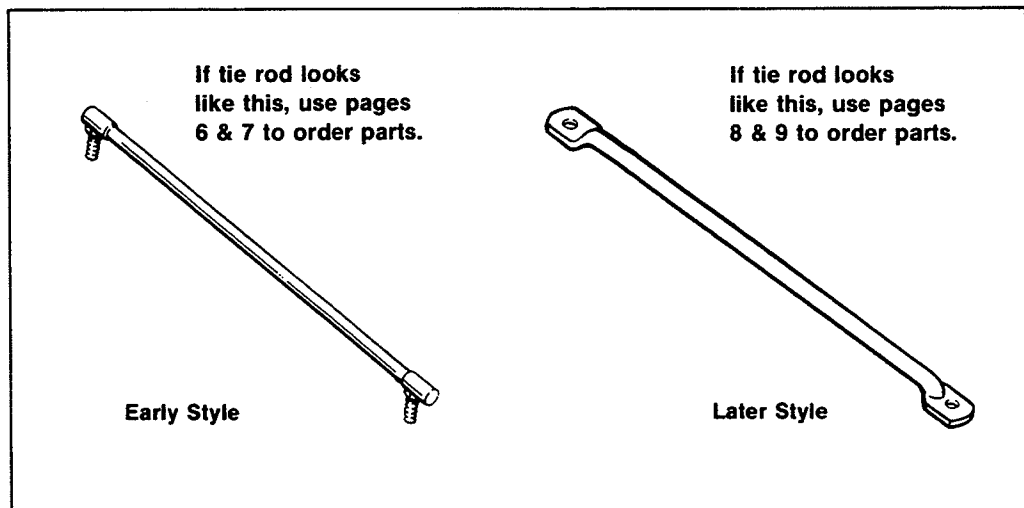
Ref. No.	Part No.	Qty.	Description
31	122186	1	CLAMP
32	1921977	1	CAPSCREW, Hex Hd., 5/16-18 x 1-1/4
33	1924940	2	WASHER, Plain
34	172038	1	KNOB
35	1673204	1	HANDLE, Lift
36	1924856	6	SCREW, Hex, Wash. Hd., Taptite, 5/16-18 x 1/2
37	1654707	1	BRACE, Seat
38	1923325	2	CAPSCREW, Taptite, 5/16-18 x 7/8
39	1669113	1	BRACKET, P.T.O.
40	1669108	1	ARM ASSY., P.T.O. Rod
41	1669105	1	SPACER
42	1922130	1	CAPSCREW, Hex Hd., 3/8-16 x 2-1/4
43	1669112	1	HANDLE ASSY., P.T.O.
44	1669197	1	BUSHING
45	153072	2	WASHER
46	158399	2	RING, Snap
47	1669104	1	LINK, P.T.O.
48	8021050	1	KNOB
49	1669168	2	UP-STOP, Mower
50	1918249	2	SCREW, Truss Hd., Slotted, 5/16-18 x 3/4
51	1917642	2	WASHER
52	1668970	1	PLATE, Adapter
53	925003	4	SCREW, Taptite, 1/4-20 x 1/2
54	1672075	2	LATCH ASSY.
55	1931333	2	BOLT, Carriage, 5/16-18 x 3/4
56	1918447	2	PIN, Cotter, 3/32 x 3/4
57	1669339	1	SPRING
58	935048	2	NUT, Lock, Hex Fl. 5/16-8
59	1927557	1	NUT, Hex Fl., Whizlock, 5/16-18
60	920427	6	LOCKWASHER, Ext., 3/8 Zinc Pltd.

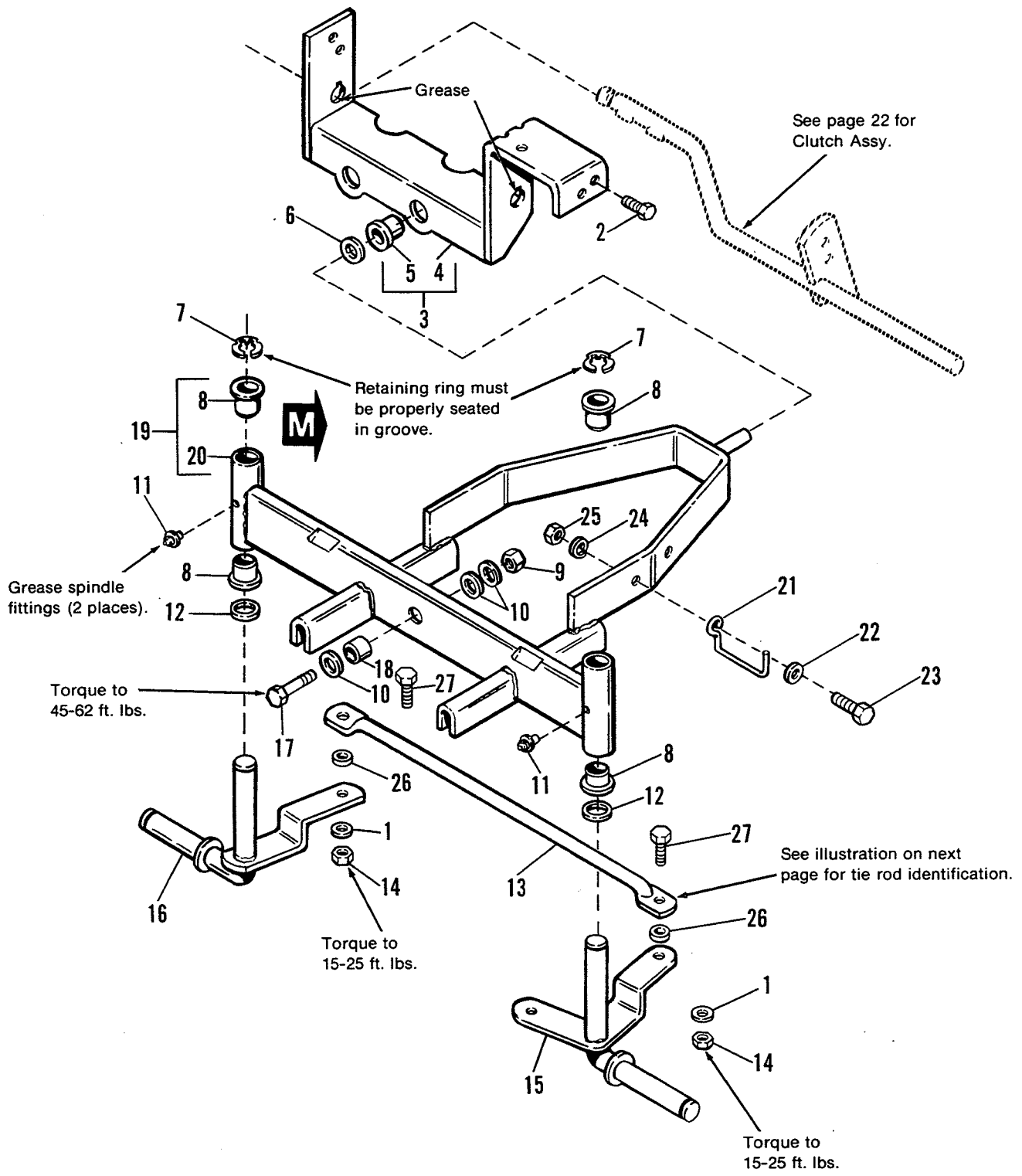
NOTE: Ref. Nos. 1-30 found on the preceding page.



NOTE: Use standard hardware torque spec. chart unless otherwise noted.

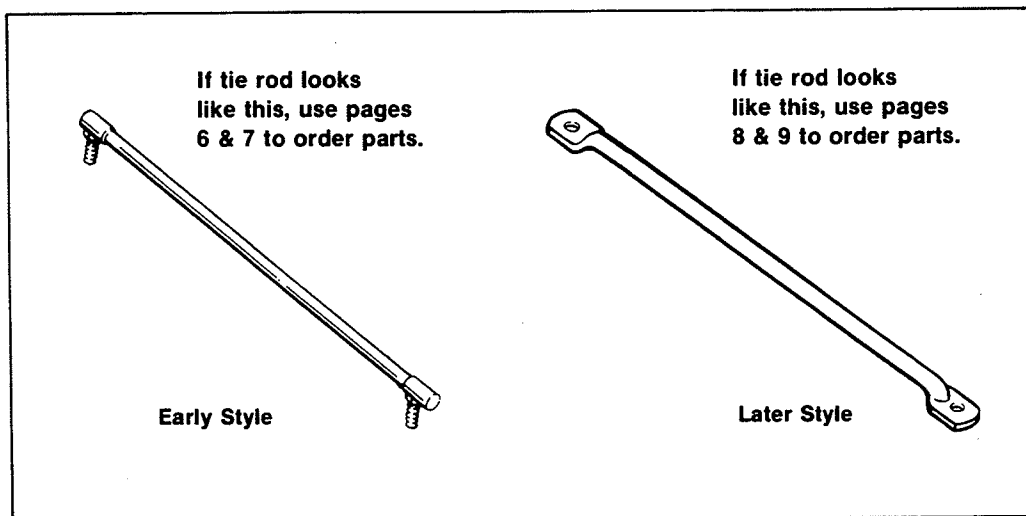
Ref. No.	Part No.	Qty.	Description
1	1917372	1	NUT, Hex, 5/16-18
2	1664847	5	SCREW, Hex, Taptite, 5/16-18 x 3/4
3	1665601	1	SUPPORT ASSY., Axle, Rear w/Bushing (Incl. Ref. Nos. 4 & 5)
4		1	SUPPORT ASSY., Axle, Rear (See Ref. No. 3)
5	1663114	1	BUSHING
6	1919387	1	WASHER, 3/8
7	927794	2	E-RING
8	176440	4	BUSHING
9	1930648	1	LOCKNUT, Hex, 1/2-13
10	1926192	3	WASHER, 9/16
11	921133	2	FITTING, Grease
12	1960114	2	WASHER
13	1667247	1	ROD ASSY., Tie
14	1668927	2	LOCKNUT, Hex, 3/8-24
15	1665080	1	SPINDLE ASSY., L.H.
16	1665079	1	SPINDLE ASSY., R.H.
17	1921525	1	CAPSCREW, Hex Hd., 1/2-13 x 1-1/2
18	1671260	1	SPACER
19	1685227	1	AXLE ASSY., Front (Incl. Ref. Nos. 8 & 20)
20		1	AXLE SUB ASSY., (See Ref. No. 19)
21	1668147	1	GUIDE, Drag Link
22	1917642	2	WASHER, 5/16
23	1921333	1	CAPSCREW, Hex Hd., 5/16-18 x 1
24	1917356	1	LOCKWASHER, 5/16



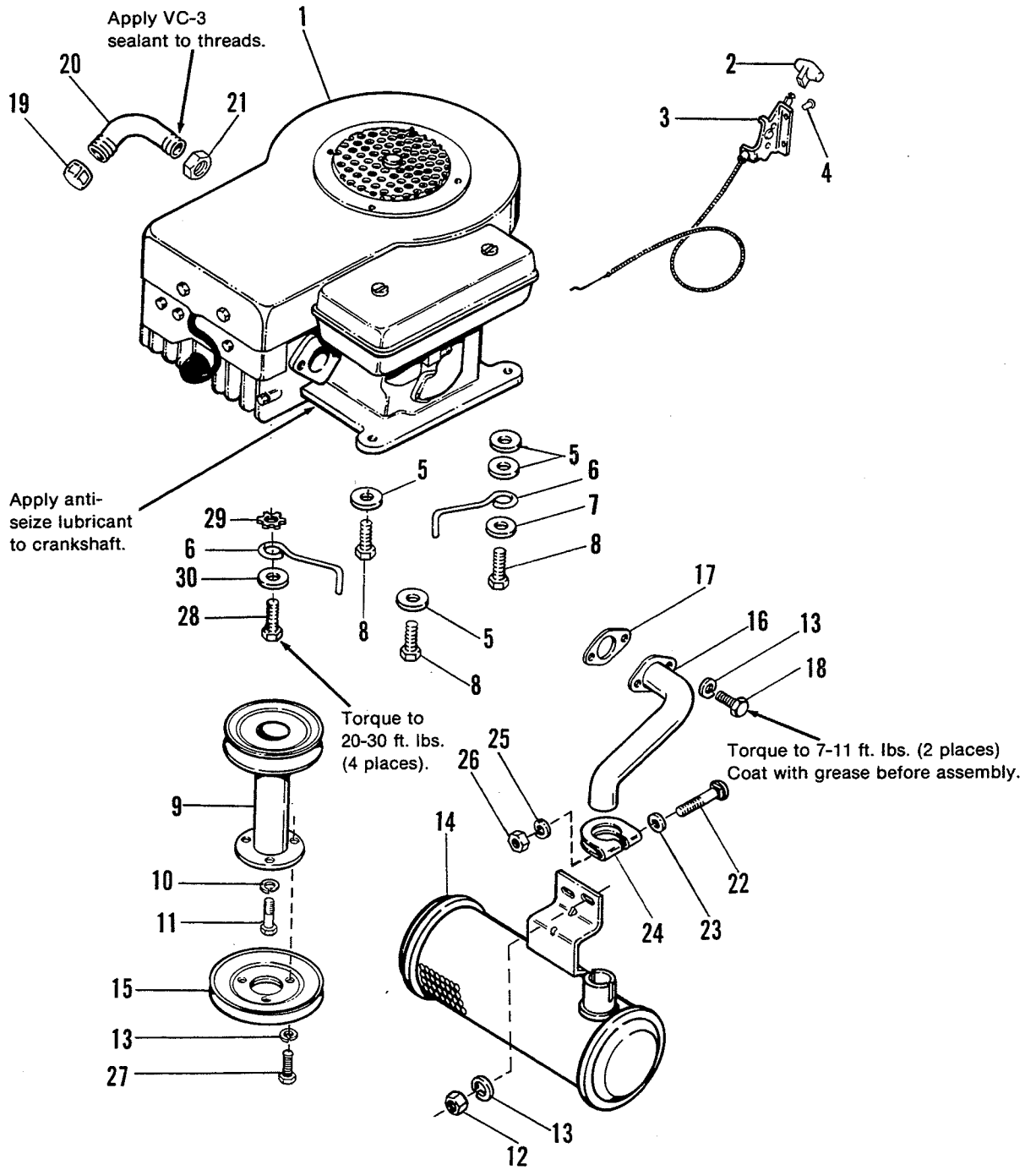


NOTE: Use standard hardware torque spec. chart unless otherwise noted.

Ref. No.	Part No.	Qty.	Description
1	1924940	2	WASHER
2	1664847	5	SCREW, Hex, Taptite, 5/16-18 x 3/4
3	1665601	1	SUPPORT ASSY., Axle, Rear w/Bushing (Incl. Ref. Nos. 4 & 5)
4		1	SUPPORT ASSY., Axle, Rear (See Ref. No. 3)
5	1663114	1	BUSHING
6	1919387	1	WASHER, 3/8
7	1611710	2	E-RING
8	176440	4	BUSHING
9	1930648	1	LOCKNUT, Hex, 1/2-13
10	1926192	3	WASHER, 9/16
11	921133	2	FITTING, Grease
12	1960114	2	WASHER
13	1611715	1	ROD ASSY., Tie
14	1930651	2	LOCKNUT, Hex, 3/8-16
15	1677133	1	SPINDLE ASSY., L.H.
16	1677131	1	SPINDLE ASSY., R.H.
17	1921525	1	CAPSCREW, Hex Hd., 1/2-13 x 1-1/2
18	1671260	1	SPACER
19	1611709	1	AXLE ASSY., Front (Incl. Ref. Nos. 8 & 20)
20		1	AXLE SUB ASSY., (See Ref. No. 19)
21	1668147	1	GUIDE, Drag Link
22	1917642	2	WASHER, 5/16
23	1921333	1	CAPSCREW, Hex Hd., 5/16-18 x 1
24	1917356	1	LOCKWASHER, 5/16
25	1917372	1	NUT, Hex, 5/16-18
26	1611705	2	SPACER
27	1921210	2	CAPSCREW, 3/8-16 x 1



Ref. No.	Part No.	Qty.	Description
1	921332	4	CAPSCREW, Hex Hd., 5/16-18 x 3/4
2	1667513	1	PLATE, Steering
3	1674140	1	SHAFT ASSY., Steering
4	176440	5	BUSHING
5	1667622	1	KEY
6	1928721	2	SETSCREW, 5/16-18 x 1/2
7	1675388	1	GEAR, Steering
8	1652743	1	PLATE, Base, Steering
9	1657017	1	CAP, Steering Wheel
10	1935048	4	LOCKNUT, Hex, Flange, 5/16-18
11	1674076	1	ROD, Steering
12	1668927	2	NUT, Special, 3/8-24
13	1674388	1	LINK ASSY., Drag (Incl. Ref. No. 21 & 24)
14	1653617	2	WHEEL & TIRE ASSY.
15	1611710	2	KLIPRING, Ext., 3/4 Dia.
16	960202	2	WASHER
17	156316	4	BEARING
18	1653615	2	WHEEL ASSY. 15 x 6.00-6 (Incl. Ref. No. 17)
19	1664090	2	TUBE, 4.10/3.50-6 (For Service Only)
20	1653618	2	TIRE, (Carlisle) 15 x 6.00-6
21	1669567	1	BALL JOINT ASSY.
22	172353	2	VALVE STEM & CAP
23	1670989	1	WHEEL, Steering, Bolt Mounted
24	1918403	1	NUT, Jam 3/8-24
25	1923362	1	LOCKNUT, Hex, 5/16-18
26	1673333	2	HUB CAP, Threaded
27	1919326	2	WASHER, Plain
28	1925690	1	BOLT, 5/16-18 x 3-1/2



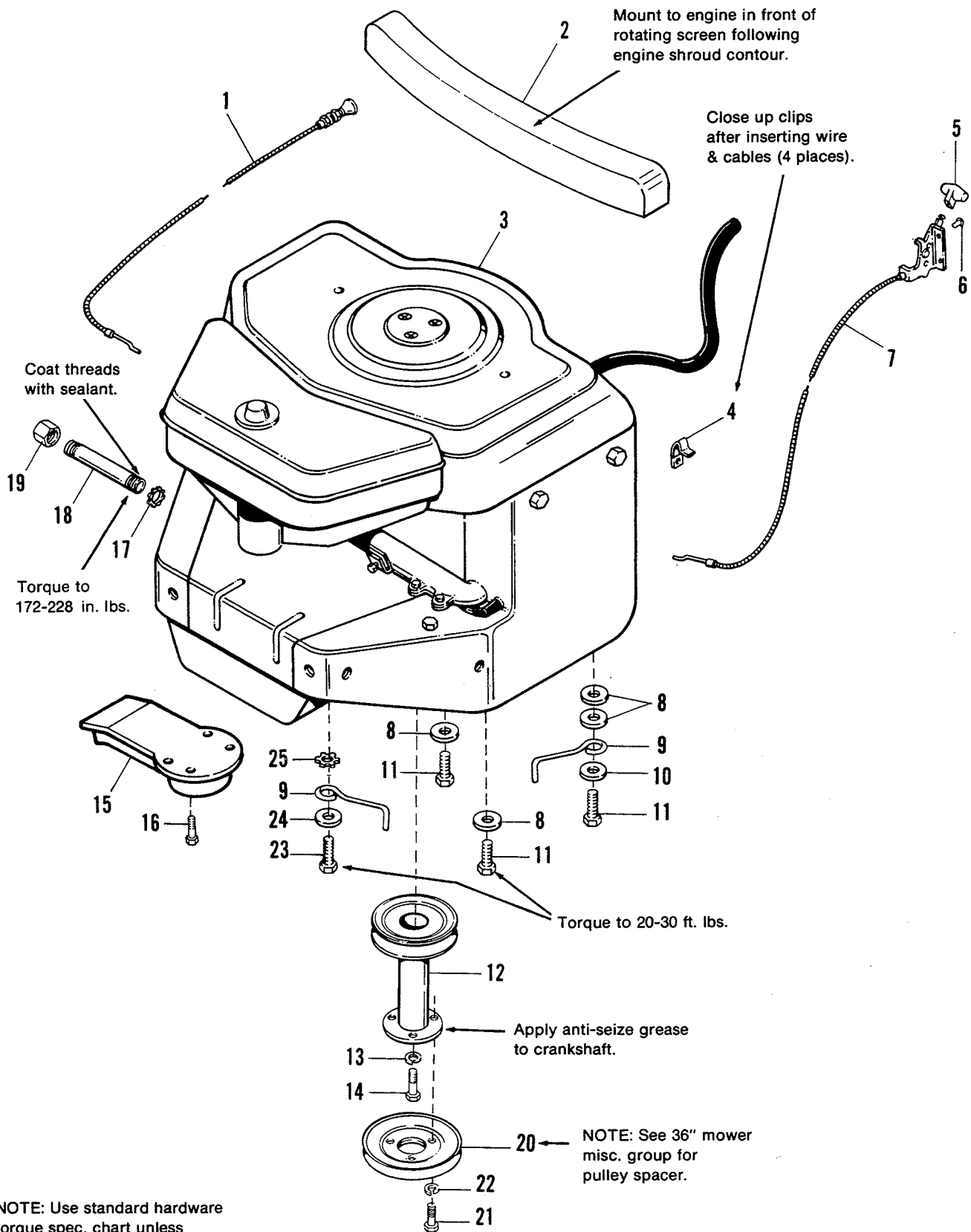
NOTE: Use standard hardware torque spec. chart unless otherwise noted.

Ref. No.	Part No.	Qty.	Description
1		1	*ENGINE, 11 H.P.
		1	*ENGINE, 12 H.P.
2	1656099	1	KNOB, Throttle
3	1657272	1	CONTROL ASSY., Throttle
4	960241	2	RIVET, Pop, 1/4
5	1922755	5	WASHER, Plain, 3/8
6	1674558	2	STOP, Belt
7	1917378	2	WASHER, 3/8
8	1930598	3	SCREW, Taptite, 3/8-16 x 1-1/2
9	1669749	1	PULLEY ASSY., Engine
10	1918199	1	LOCKWASHER, 7/16
11	1928038	1	CAPSCREW, Hex, 7/16-20 x 1-1/4
12	1917372	2	NUT, Hex, 5/16-18
13	1917356	8	LOCKWASHER, 5/16
14	1669143	1	MUFFLER
15	1669752	1	PULLEY
16	1669146	1	PIPE, Exhaust
17	1650670	1	GASKET, Muffler
18	1921332	2	CAPSCREW, Hex, 5/16-18 x 3/4
19	1667346	1	CAP, Pipe
20	1658032	1	PIPE, Oil Drain (Incl. Ref. Nos. 19 & 21)
21	1932849	1	LOCKNUT, Conduit
22	1931342	1	BOLT, Carriage 5/16-18 x 3-2//4
23	1917642	1	WASHER, 5/16
24	1676183	1	CLAMP
25	1917356	1	LOCKWASHER, 5/16
26	1917372	1	NUT, Hex, 5/16-18
27	1921677	3	CAPSCREW, Hex Hd., 5/16-18 x 1-1/2 Full Thrd.
28	930598	1	SCREW, Taptite, 3/8-16 x 1-1/2 Zinc Plt.
29	920427	1	LOCKWASHER, Ext., 3/8, Zinc Plt.
30	922755	1	WASHER, 3/8 Zinc Plt.

*Use *Simplicity* SAE 5W30 Cold Weather Engine Oil for operation under 32° F. Part Number 1685576, case of 12 qts.

OR

Use *Simplicity* SAE 15W40 SF/CD Engine Oil for operation above 32° F. Part Number 1685554, case of 12 qts.

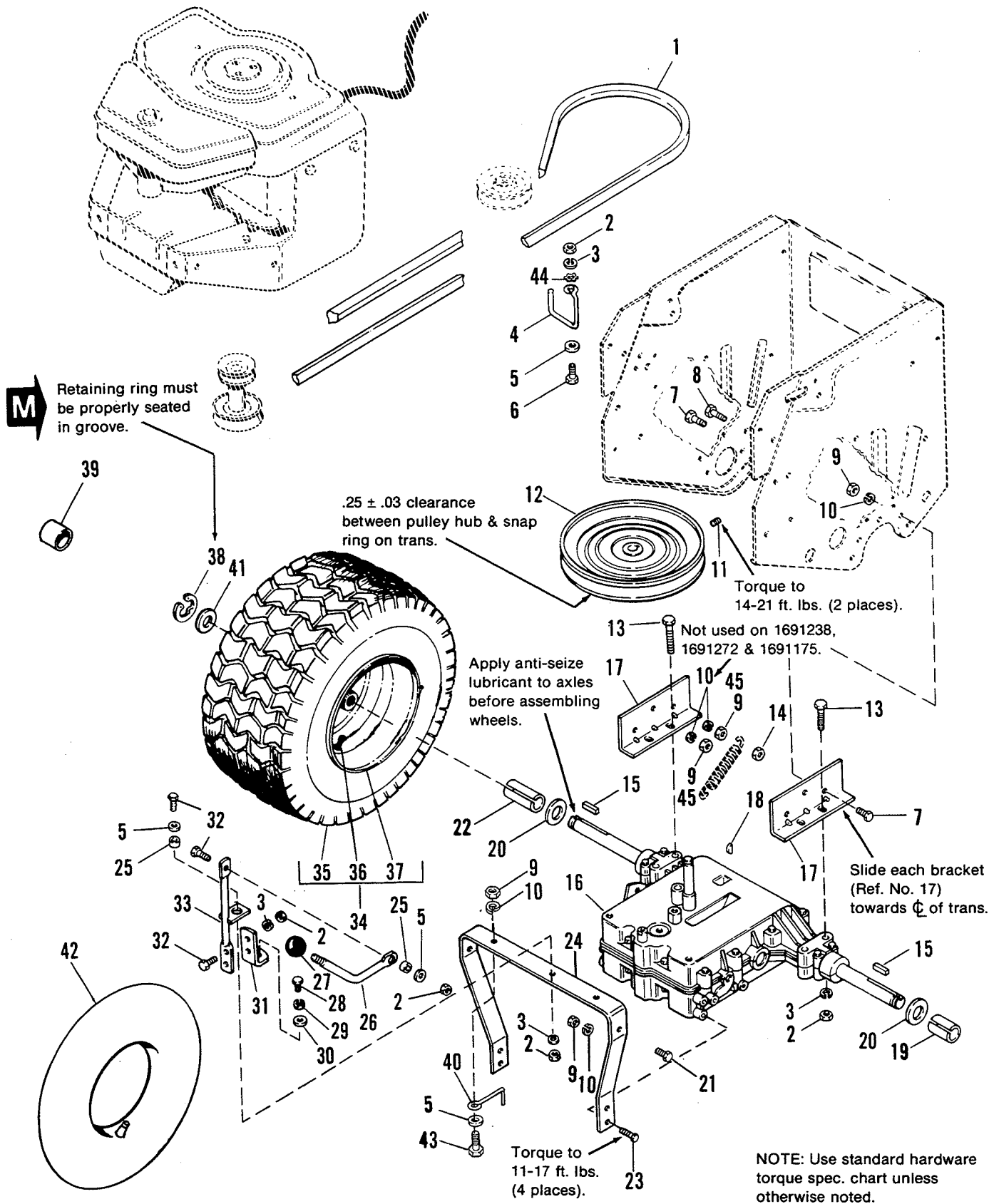


Ref. No.	Part No.	Qty.	Description
1	1667748	1	CONTROL, Choke
2	1665752	1	BAFFLE, Engine, Rear
3		1	*ENGINE, 16 H.P.
		1	*ENGINE, 12.5 H.P.
4	1666835	4	CLIP, Wire
5	1656099	1	KNOB, Throttle
6	960241	2	RIVET, Pop, 1/4
7	1668047	1	CONTROL ASSY.
8	1924356	5	WASHER, Plain
9	121073	2	STOP, Belt
10	1917378	2	WASHER, Plain, 3/8
11	1930598	3	SCREW, Taptite, 3/8-16 x 1-1/2
12	1669749	1	PULLEY ASSY., Engine
13	1918199	1	LOCKWASHER, 7/16
14	1928038	1	CAPSCREW, Hex, 7/16-20 x 1-1/4
15	1666787	1	EXTENSION ASSY., Muffler
16	1934940	4	SCREW, Hex Thd., Cutting, #8-32 x 3/8
17	1932849	1	LOCKNUT, Conduit
18	1670680	1	PIPE, Oil Drain
19	1667346	1	PIPE, Cap, Hex
20	1669752	1	PULLEY
21	1921677	3	CAPSCREW, Hex, 5/16-18 x 1-1/2
22	1917356	3	LOCKWASHER, 5/16
23	930598	1	SCREW, Taptite, 3/8-16 x 1-1/2 Zinc Plt.
24	924356	1	WASHER, Zinc Plt.
25	920427	1	LOCKWASHER, Ext. Tooth, Zinc Plt.

*Use *Simplicity* SAE 5W30 Cold Weather Engine Oil for operation under 32° F. Part Number 1685576, case of 12 qts.

OR

Use *Simplicity* SAE 15W40 SF/CD Engine Oil for operation above 32° F. Part Number 1685554, case of 12 qts.

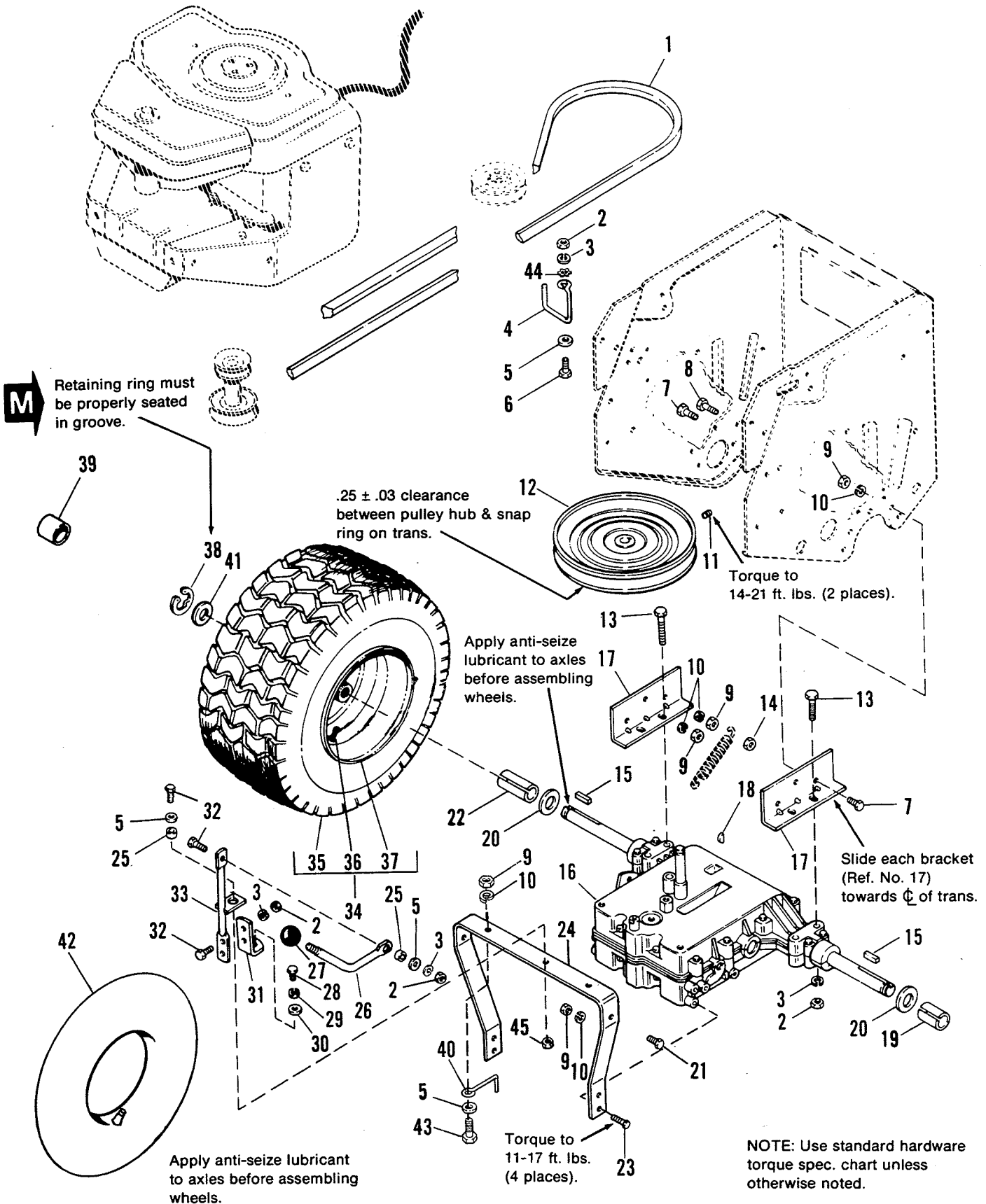


Rear Tires & Drive Group

Simplicity

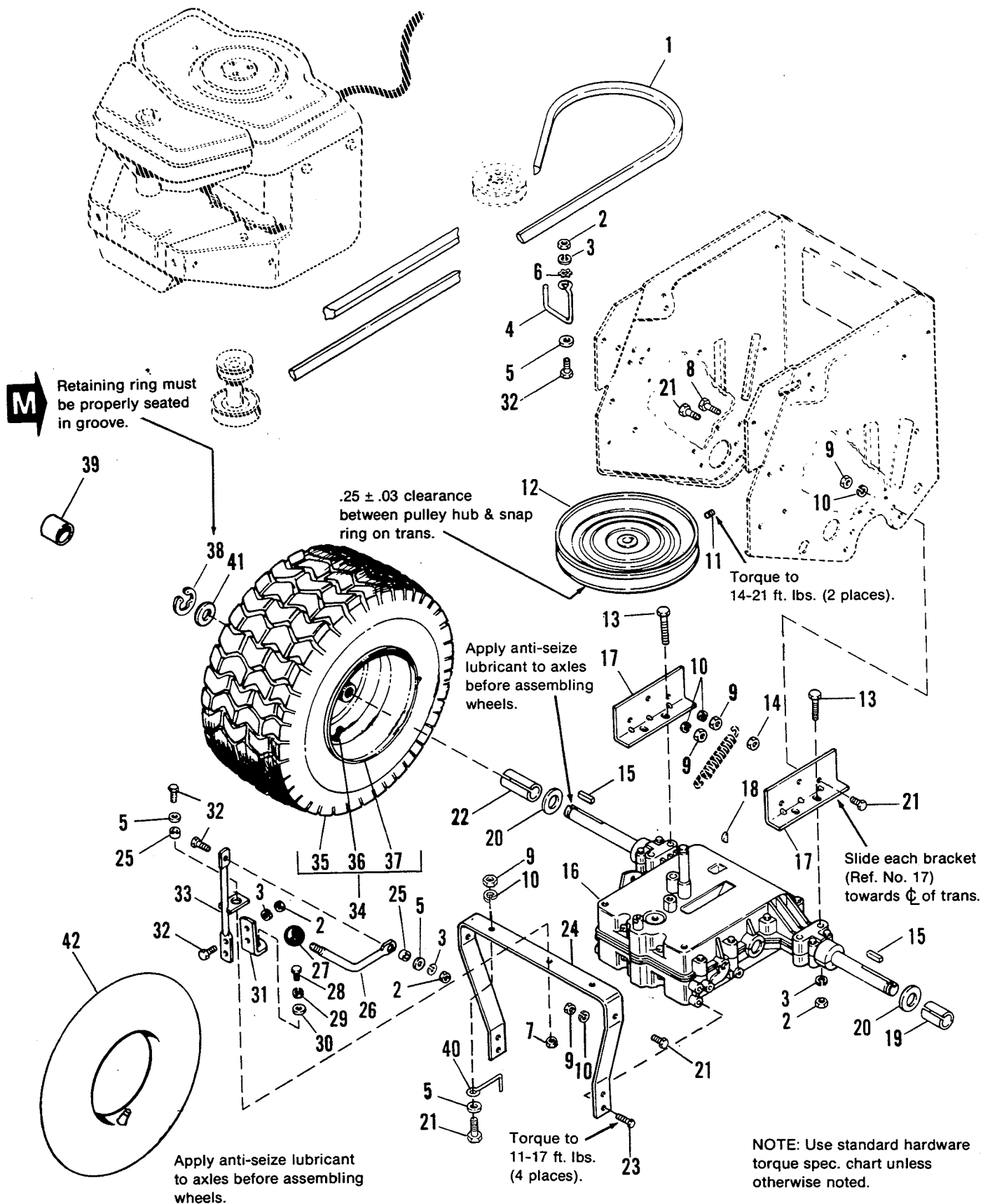
Ref. No.	Part No.	Qty.	Description
1	1677097	1	V-BELT, Transmission Drive (1691095 & 1691272)
	1655069	1	V-BELT, Transmission Drive (1691175 & 1691238)
2	1917372	7	NUT, Hex, Full, 5/16-18 (Qty. 9 on 1691095)
3	1917356	7	LOCKWASHER, 5/16 (Qty. 9 on 1691095)
4	1666709	1	STOP, Belt
5	1917642	5	WASHER, Plain, 5/16
6	1921333	1	CAPSCREW, Hex Hd., 5/16-18 x 1
7	1921965	5	CAPSCREW, Hex Hd., 3/8-16 x 3/4
8	1920415	1	CAPSCREW, Hex Hd., 3/8-16 x 1-1/4
9	1916950	8	NUT, Hex, Full, 3/8-16 (Qty. 10 on 1691095)
10	1916965	8	LOCKWASHER, 3/8 (Qty. 10 on 1691095)
11	1930540	2	SETSCREW, 5/16-18 x 5/8
12	1666693	1	PULLEY ASSY., Transmission
13	1921719	4	CAPSCREW, Hex Hd., 5/16-18 x 2-1/2
14	1930651	1	LOCKNUT, Hex, 3/8-16
15	8221042	2	KEY, 3/16 x 3/16 x 1-1/2
*16		1	TRANSAXLE, 5 Speed
17	1666632	2	SUPPORT, Transmission, Rear
18	905123	1	KEY, Woodruff, #9
19	1667191	1	SPACER
20	1960114	2	WASHER
21	1921966	4	CAPSCREW, Hex Hd., 3/8-16 x 7/8
22	1667192	1	SPACER
23	1930601	4	SCREW, Hex, Taptite, 5/16-18 x 5/8
24	1666631	1	SUPPORT, Transmission, Front
25	1666697	2	SPACER
26	1666641	1	ROD, Shift
27	8021050	1	KNOB, Shift
28	1922234	1	CAPSCREW, Hex Hd., 1/4-28 x 5/8
29	1916964	1	LOCKWASHER, 1/4
30	1916955	1	WASHER, Plain, 3/16
31	1666638	1	LINK, Shift, Lower
32	1923325	4	CAPSCREW, Hex Hd., 5/16-18 x 7/8
33	1666639	1	SHIFT LINK ASSY., Upper
34	1673247	2	WHEEL & TIRE ASSY. (1691095, 1691175 & 1691272 only)
	1673246	2	WHEEL & TIRE ASSY. (1691238 only)
35	173456	2	TIRE, 20 x 8-10 (1691095, 1691175, 1691272 only)
	1665326	2	TIRE, 20 x 10-10 (1691238 only)
36	172353	2	VALVE STEM & CAP
37	1673248	2	WHEEL
38	927794	2	E-RING
39	1673333	2	HUB CAP, Threaded
40	158499	2	STOP, Belt
41	960160	2	WASHER
42	173477	2	TUBE, 20 x 8-10
43	1921210	2	CAPSCREW, Hex, 3/8-16 x 1
44	920427	1	LOCKWASHER, Ext. Tooth (1691175, 1691238, 1691275 only)
45	1923362	2	NUT, Hex Lock (1691175, 1691238, 1691272 only)

***NOTE: See an authorized Tecumseh dealer for parts & service;
Peerless parts are not available thru *Simplicity*, however, an exploded
view of the Peerless transmission is shown at the end of the manual.**



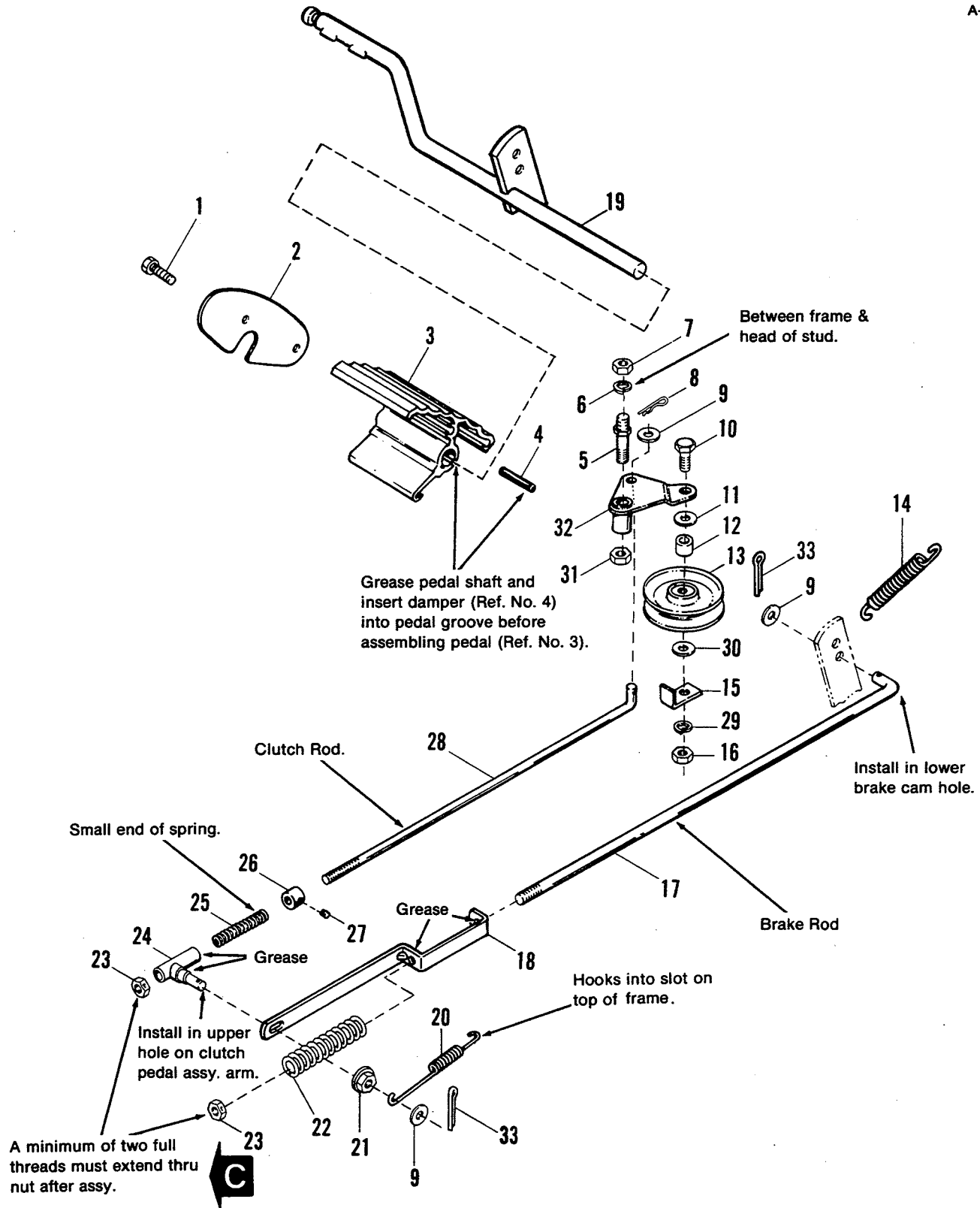
Ref. No.	Part No.	Qty.	Description
1	1655069	1	V-BELT, Transmission Drive
2	1917372	8	NUT, Hex, Full, 5/16-18
3	1917356	8	LOCKWASHER, 5/16
4	1666709	1	STOP, Belt
5	1917642	5	WASHER, Plain, 5/16
6	1921333	1	CAPSCREW, Hex Hd., 5/16-18 x 1
7	1921965	3	CAPSCREW, Hex Hd., 3/8-16 x 3/4
8	1920415	1	CAPSCREW, Hex Hd., 3/8-16 x 1-1/4
9	1916950	8	NUT, Hex, Full, 3/8-16
10	1916965	8	LOCKWASHER, 3/8
11	1930540	2	SETSCREW, 5/16-18 x 5/8
12	1666693	1	PULLEY ASSY., Transmission
13	1921719	4	CAPSCREW, Hex Hd., 5/16-18 x 2-1/2
14	1930651	1	LOCKNUT, Hex, 3/8-16
15	8221042	2	KEY, 3/16 x 3/16 x 1-1/2
*16		1	TRANSAXLE, 5 Speed
17	1666632	2	SUPPORT, Transmission, Rear
18	905123	1	KEY, Woodruff, #9
19	1667191	1	SPACER
20	1960114	2	WASHER
21	1921966	4	CAPSCREW, Hex Hd., 3/8-16 x 7/8
22	1667192	1	SPACER
23	1930601	4	SCREW, Hex, Taptite, 5/16-18 x 5/8
24	1666631	1	SUPPORT, Transmission, Front
25	1666697	2	SPACER
26	1666641	1	ROD, Shift
27	8021050	1	KNOB, Shift
28	1922234	1	CAPSCREW, Hex Hd., 1/4-28 x 5/8
29	1916964	1	LOCKWASHER, 1/4
30	1916955	1	WASHER, Plain, 3/16
31	1666638	1	LINK, Shift, Lower
32	1923325	4	CAPSCREW, Hex Hd., 5/16-18 x 7/8
33	1666639	1	SHIFT LINK ASSY., Upper
34	1673247	2	WHEEL & TIRE ASSY.
35	173456	2	TIRE, 20 x 8-10
36	172353	2	VALVE STEM & CAP
37	1673248	2	WHEEL
38	927794	2	E-RING
39	1673333	2	HUB CAP, Threaded
40	158499	2	STOP, Belt
41	960160	2	WASHER
42	173477	2	TUBE, 20 x 8-10
43	1921210	2	CAPSCREW, Hex, 3/8-16 x 1
44	920427	1	LOCKWASHER, Ext. Tooth
45	1923362	2	NUT, Hex, Lock, 5/16-18

***NOTE: See an authorized Tecumseh dealer for parts & service;
Peerless parts are not available thru *Simplicity*, however, an exploded
view of the Peerless transmission is shown at the end of the manual.**



Ref. No.	Part No.	Qty.	Description
1	1655069	1	V-BELT, Transmission Drive
2	1917372	8	NUT, Hex, Full, 5/16-18
3	1917356	8	LOCKWASHER, 5/16
4	1666709	1	STOP, Belt
5	1917642	5	WASHER, Plain, 5/16
6	920427	1	LOCKWASHER, Ext. Tooth
7	1923362	2	NUT, Hex, Lock, 5/16-18
8	1921974	1	CAPSCREW, Hex Hd., 3/8-16 x 1-1/2
9	1916950	8	NUT, Hex, Full, 3/8-16
10	1916965	8	LOCKWASHER, 3/8
11	1930540	2	SETSCREW, 5/16-18 x 5/8
12	1666693	1	PULLEY ASSY., Transmission
13	1921719	4	CAPSCREW, Hex Hd., 5/16-18 x 2-1/2
14	1930651	1	LOCKNUT, Hex, 3/8-16
15	8221042	2	KEY, 3/16 x 3/16 x 1-1/2
*16		1	TRANSAXLE, 5 Speed
17	1666632	2	SUPPORT, Transmission, Rear
18	905123	1	KEY, Woodruff, #9
19	1667191	1	SPACER
20	1960114	2	WASHER
21	1921210	7	CAPSCREW, Hex Hd., 3/8-16 x 1
22	1667192	1	SPACER
23	1930601	4	SCREW, Hex, Taptite, 5/16-18 x 5/8
24	1666631	1	SUPPORT, Transmission, Front
25	1666697	2	SPACER
26	1666641	1	ROD, Shift
27	8021050	1	KNOB, Shift
28	1922234	1	CAPSCREW, Hex Hd., 1/4-28 x 5/8
29	1916964	1	LOCKWASHER, 1/4
30	1916955	1	WASHER, Plain, 3/16
31	1666638	1	LINK, Shift, Lower
32	1921333	5	CAPSCREW, Hex Hd., 5/16-18 x 1
33	1666639	1	SHIFT LINK ASSY., Upper
34	1673246	2	WHEEL & TIRE ASSY.
35	1665326	2	TIRE, 20 x 10-10
36	172353	2	VALVE STEM & CAP
37	1673248	2	WHEEL
38	927794	2	E-RING
39	1673333	2	HUB CAP, Threaded
40	158499	2	STOP, Belt
41	960160	2	WASHER
42	173477	2	TUBE, 20 x 8-10

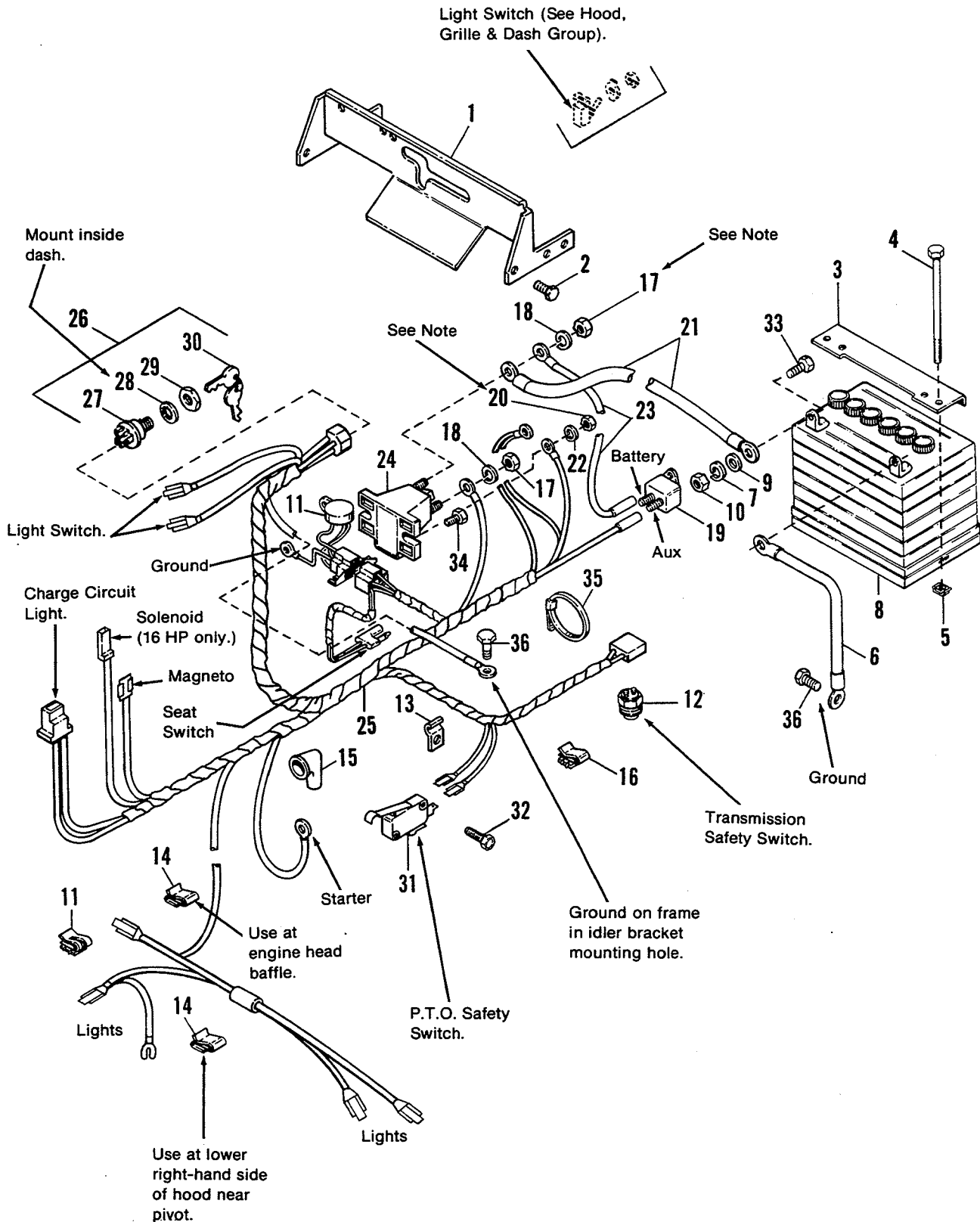
***NOTE: See an authorized Tecumseh dealer for parts & service;
Peerless parts are not available thru *Simplicity*, however, an exploded
view of the Peerless transmission is shown at the end of the manual.**



NOTE: Use standard hardware torque spec. chart unless otherwise noted.

Ref. No.	Part No.	Qty.	Description
1	1927429	2	SCREW, Hex, Taptite, 1/4-20 x 5/8
2	1656854	1	PLATE, End
3	1656852	1	PEDAL, Foot
4	1657322	1	DAMPER, Rubber
5	157273	1	STUD
6	1918199	1	LOCKWASHER, 7/16
7	1918213	1	NUT, Hex, Full, 7/16-14
8	1918448	1	CLIP, Spring
9	1917377	3	WASHER, Plain, 1/4
10	1921969	1	CAPSCREW, Hex Hd., 3/8-16 x 1-1/2
11	1922755	1	WASHER, Plain, 3/8
12	1666294	1	SPACER
13	1685150	1	PULLEY ASSY. (Incl. Ref. No. 12)
14	159106	1	SPRING, Tension
15	1677135	1	GUARD, Belt
16	1919650	1	NUT, Hex, Full, 3/8-16
17	1666656	1	ROD, Brake
18	1663138	1	GUIDE, Rod
19	1665864	1	LEVER ASSY. Clutch
20	1666759	1	SPRING, Return
21	1935048	1	LOCKNUT, Hex, Flange, 5/16-18
22	1663136	1	SPRING
23	1924433	2	LOCKNUT, Hex, Esna, 5/16-18
24	1657222	1	GUIDE ASSY., Rod
25	157041	1	SPRING, Compression
26	8191022	1	COLLAR, Set
27	1928804	1	SETSCREW, 1/4-20 x 3/8
28	1702156	1	ROD, Clutch
29	1916965	1	LOCKWASHER, 3/8
30	1917642	1	WASHER, Plain, 5/16
31	1924058	1	LOCKNUT, Hex, 7/16-14
32	1653076	1	IDLER ASSY.
33	1918447	2	PIN, Cotter, 3/32 x 3/4

NOTE: Refer to the Operator's Manual and perform "Tractor Adjustments" in Adjustments section. These adjustments include the parking brake, brake rod and clutch rod.

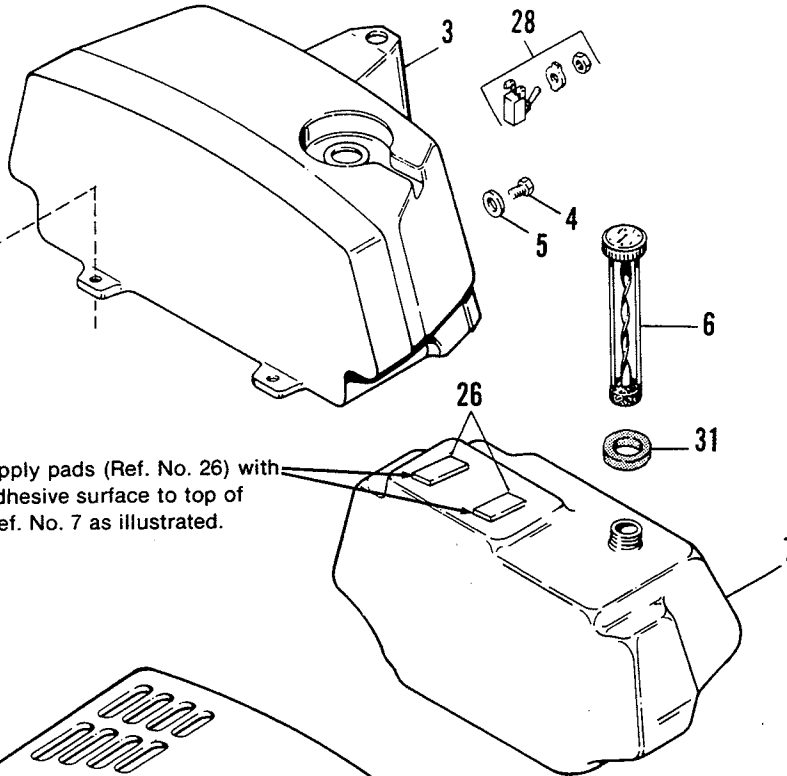
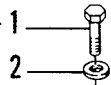


NOTE: Wire to be fastened away from pivot & pinch point.

NOTE: Use standard hardware torque spec. chart unless otherwise noted.

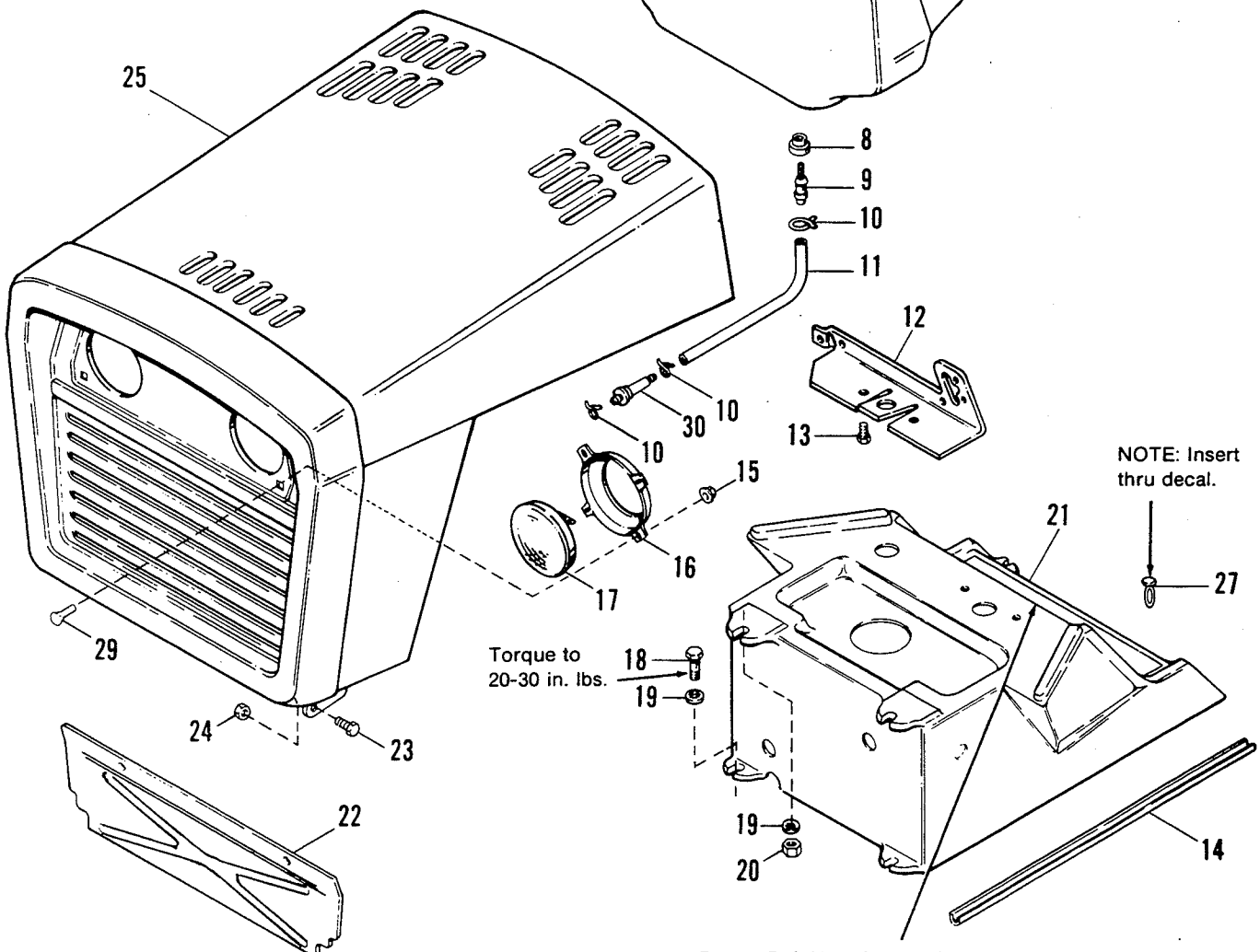
Ref. No.	Part No.	Qty.	Description
1	1672238	1	QUADRANT, Shift
2	1927428	5	SCREW, Hex, Taptite, 1/4-20 x 3/8
3	1669831	1	HOLD DOWN, Battery
4	1928634	2	CAPSCREW, Hex Hd., 1/4-20 x 7
5	926022	2	NUT, Retainer, 1/4-20
6	1603618	1	CABLE
7	916964	2	LOCKWASHER, 1/4
8	1685215	1	BATTERY SERVICE KIT, 39 Amp (includes decal)
9	921319	2	WASHER, Plain, 1/4
10	916622	2	NUT, Hex, Full, 1/4-20
11	1672654	1	MODULE, DSI INTERLOCK
12	1654634	1	SWITCH, Interlock
13	1668602	1	CLIP, Wire
14	930222	2	CLIP, Wire
15	122023	1	COVER, Terminal
16	165073	2	CLIP, Speed
17	1920263	2	NUT, Hex, Full, 5/16-24
18	917356	2	LOCKWASHER, 5/16
19	1665238	1	BREAKER, Circuit
20	1917415	2	NUT, Hex, Full #10-32
21	1603195	1	CABLE
22	1922711	2	LOCKWASHER, External, #10
23	1665237	1	WIRE ASSY.
24	1685290	1	SOLENOID
25	1677062	1	HARNESS, Wiring (1691095 & 1691272 only)
	1672669	1	HARNESS, WIRING (All Models except 1691095 & 1691272)
26	1674244	1	SWITCH, Ignition (Incl. Ref. Nos. 29 & 30)
27		1	SWITCH (See Ref. No. 26)
28	918906	1	LOCKWASHER, Internal, 5/8
29	122234	1	NUT, Hex, 5/8-32
30	122203	1	KEYS
31	1665586	1	SWITCH, P.T.O., Interlock
32	1935944	2	SCREW, Taptite, #5-40 x 3/4
33	1923341	2	CAPSCREW, 1/4-20 x 3/4
34	927429	2	SCREW, Taptite, 1/4-20 x 5/8, Zinc Plt.
35	932747	1	TIE, Cable
36	927428	2	SCREW, Hex, Taptite, 1/4-20 x 3/8 Zinc Pltd.

Torque to
20-30 in. lbs.



NOTE: Use standard hardware
torque spec. chart unless
otherwise noted.

Apply pads (Ref. No. 26) with
adhesive surface to top of
Ref. No. 7 as illustrated.



NOTE: Insert
thru decal.

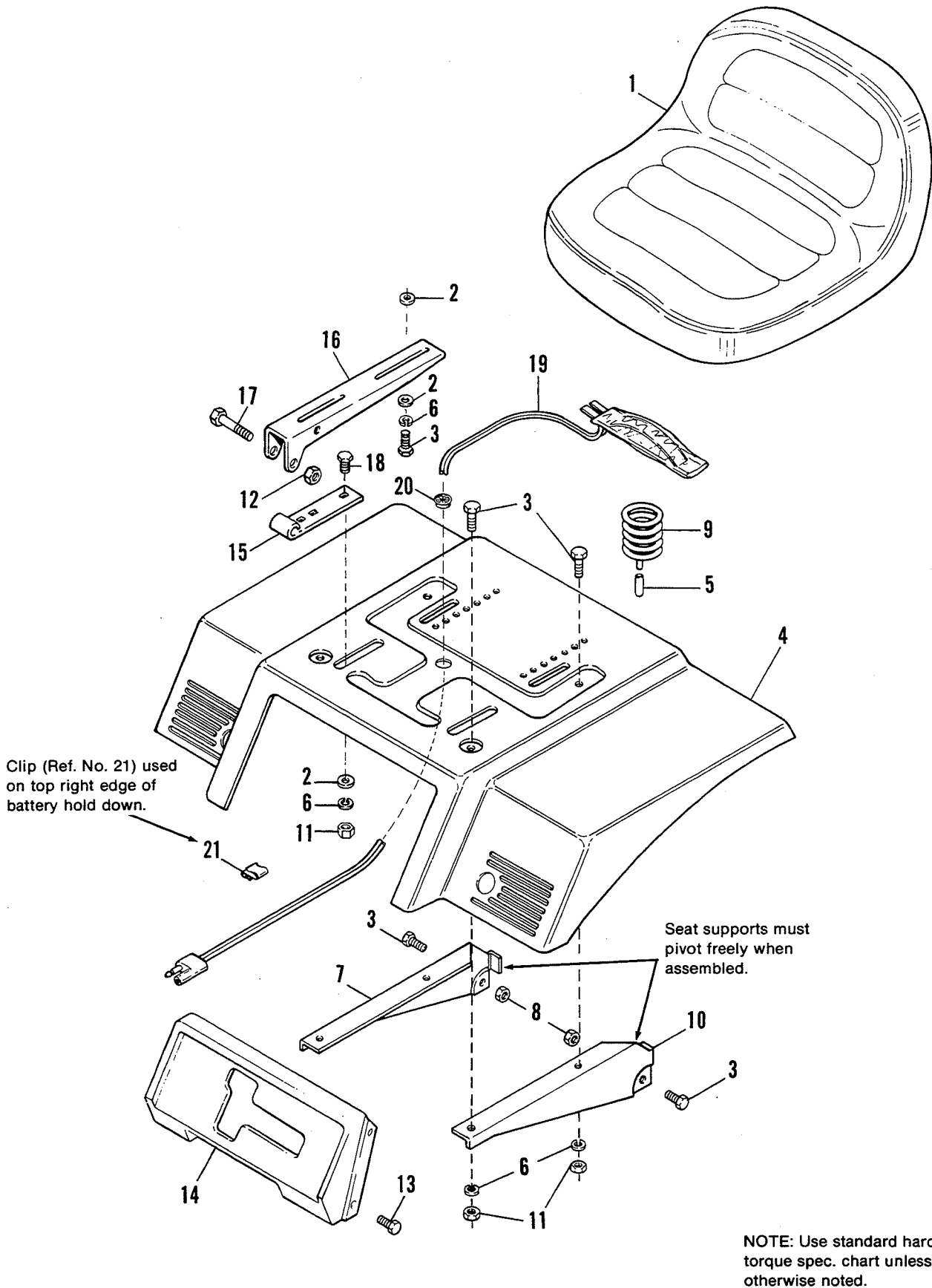
Torque to
20-30 in. lbs.

NOTE: Use standard hardware
torque spec. chart unless
otherwise noted.

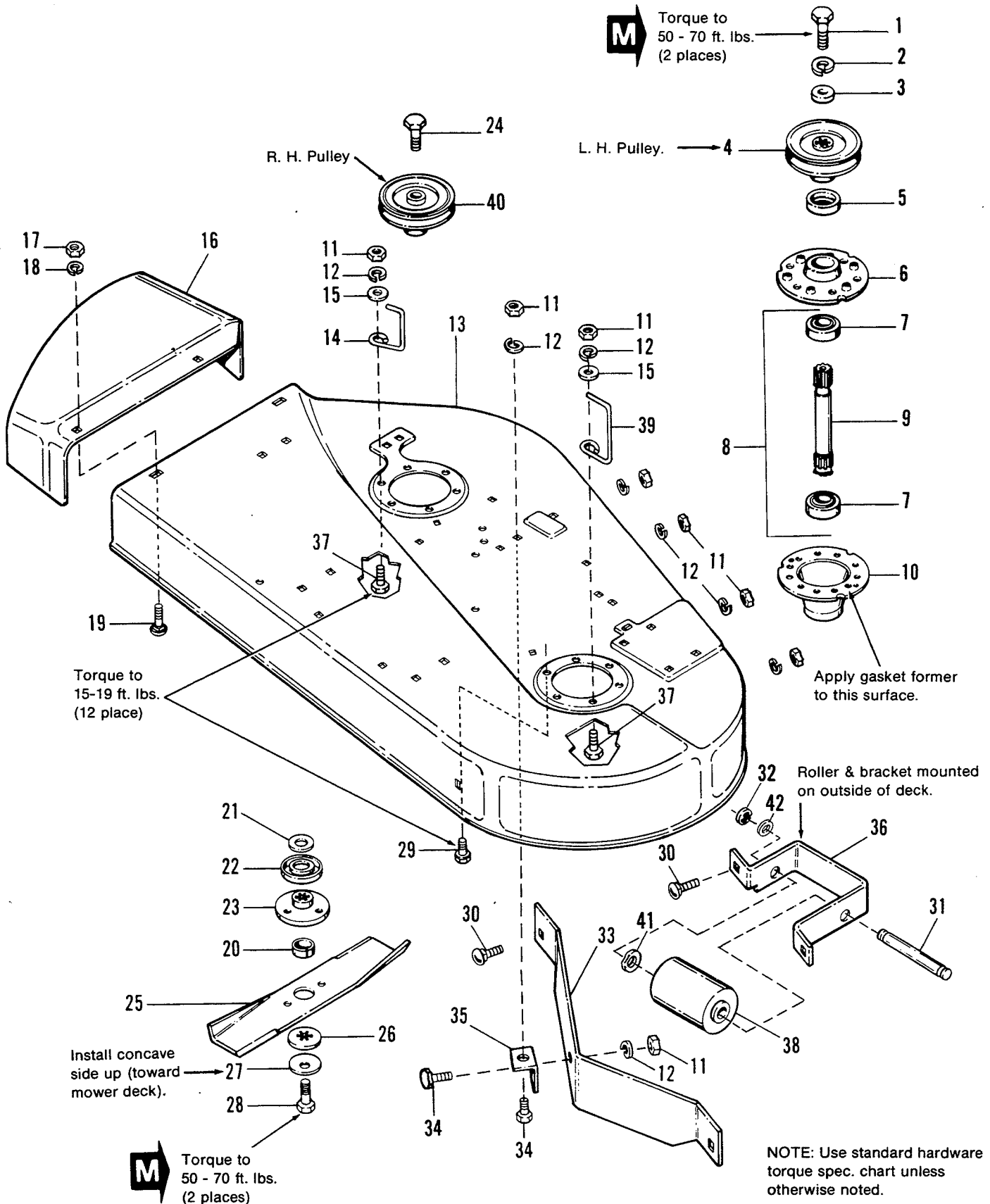
Brace (Ref. No. 12) must be
assembled parallel to this edge.

Ref. No.	Part No.	Qty.	Description
1	1921961	2	CAPSCREW, Hex Hd., 1/4-20 x 1-1/4
2	1917377	2	WASHER, Plain, 1/4
3	1673058	1	DASH BOARD, Top
4	1930561	2	SCREW, #14 x 3/4
5	1916955	2	WASHER, Plain, 3/16
6	171252	1	CAP, Fuel
7	*1685297	1	TANK ASSY., Fuel
8	1654930	1	BUSHING
9	1666447	1	FITTING
10	1960112	3	CLAMP, Hose
11	1676861	1	HOSE, FUEL
12	1665301	1	BRACE, Dash
13	1925592	2	SCREW, Hex, Taptite, 1/4-20 x 1
14	1672123	2	EDGING, Lower Dash
15	1665253	4	LOCKNUT, Pal, #10-24
16	1665813	2	BRACKET, Support, Headlight
17	1665853	2	LAMP, Sealed Beam, G.E. #4411-1
18	1929783	4	SCREW, Hex, Taptite, 1/4-20 x 1
19	1931704	6	LOCKWASHER, Dished Type, 1/4
20	1923358	2	LOCKNUT, Hex, 1/4-20
21	1668641	1	DASH BOARD, Bottom
22	1665751	1	BAFFLE, Engine, Front (All models except 1691095 & 1691272)
23	1921966	2	CAPSCREW, Hex Hd., 3/8-16 x 7/8
24	1930651	2	LOCKNUT, Hex, 3/8-16
25	1669410	1	HOOD & GRILLE ASSY.
26	173335	2	PAD
27	1667248	4	CLIP, Canoe
28	122184	1	SWITCH, Toggle, Lights
29	1936363	4	BOLT, Carriage, #10-24 x 1/2
30	173206	1	FILTER, Fuel
31	1664897	1	FOAM, Washer

*Reference No. 7 includes Ref. Nos. 8, 9, 10 (Qty. 2), 11 & 30.



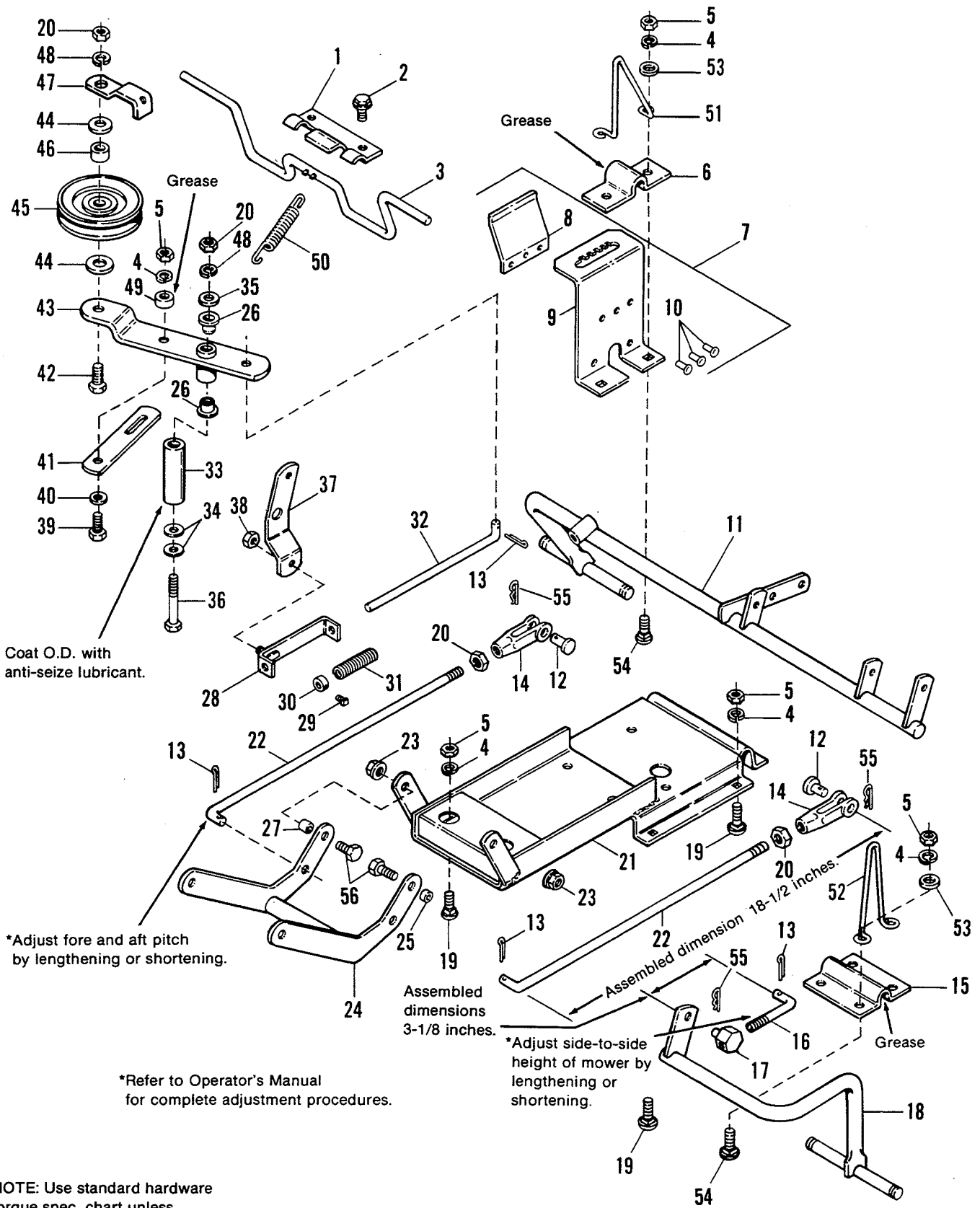
Ref. No.	Part No.	Qty.	Description
1	1676539	1	SEAT
2	1917642	12	WASHER, Plain, 5/16
3	1921332	10	CAPSCREW, Hex, 5/16-18 x 3/4
4	1676537	1	DECK, Seat
5	1666691	2	COVER, Wire
6	917356	12	LOCKWASHER, 5/16
7	1701736	1	SUPPORT, Seat, R.H.
8	1923362	2	LOCKNUT, Hex, 5/16-18
9	1666690	2	SPRING, Seat
10	1701737	1	SUPPORT, Seat, L.H.
11	1917372	8	NUT, Hex, Full, 5/17-18
12	1930651	2	LOCKNUT, Hex, 3/8-16
13	1925003	4	SCREW, Hex, Taptite, 1/4-20 x 1/2
14	1668839	1	PANEL, Shift
15	1678415	2	HINGE, Lower
16	1701559	2	HINGE, Upper
17	1923701	2	CAPSCREW, Hex, 3/8-16 x 2
18	1922109	4	CAPSCREW, Hex, 5/16-18 x 1.0
19	1671703	1	SWITCH, Seat
20	1676624	1	BUSHING, Universal
21	165073	1	CLIP



Ref. No.	Part No.	Qty.	Description
1	1930585	2	CAPSCREW, Hex Hd., 7/16-14 x 3-1/2
2	1918199	2	LOCKWASHER, 7/16
3	1933263	2	WASHER, Special
4	1673109	1	PULLEY ASSY., L.H.
5	1657969	2	SHIELD, Bearing, Upper
6	1655729	2	HOUSING, Top
7	108202	4	BEARING
*8	1685251	2	SHAFT & BEARING ASSY. (Incl. Ref. Nos 7, 9 & 20)
9	1685245	2	SHAFT, Arbor (Incl. Ref. No. 20)
10	1655728	2	HOUSING, Bottom
11	1917372	8	NUT, Hex, full, 5/16-18
12	1917356	8	LOCKWASHER, 5/16
13	1685102	1	HOUSING, 36" (Incl. safety decals)
14	1657660	1	STOP, Belt
15	1917642	2	WASHER, 5/16
16	1655422	1	DEFLECTOR, Mower
17	1916950	2	NUT, Hex, Full, 3/8-16
18	1916965	2	LOCKWASHER, 3/8
19	1931348	2	BOLT, Carriage, 3/8-16 x 3/4
20	1672132	2	COLLAR, Arbor
21	1700230	2	WASHER, Shim
22	1700229	2	SHIELD, Grass
23	1655777	2	ADAPTOR, Blade
24	1930584	1	CAPSCREW, Hex Hd., 7/16-14 x 2-3/4
25	1657589	2	BLADE, 36"
26	1656927	2	WASHER, Spline
27	1656916	2	WASHER, Cup
28	1923491	2	CAPSCREW, Hex Hd., 7/16-14 x 1
29	1664847	10	SCREW, Hex, Wash. Hd., Taptite, 5/16-18 x 3/4
30	1931333	4	BOLT, Carriage, 5/16-18 x 3/4
31	1603205	1	SHAFT, Roller, Center
32	927793	1	E-RING
33	1671577	1	BAFFLE
34	1921332	2	CAPSCREW, Hex Hd., 5/16-18 x 3/4
35	1668500	1	BRACKET, Mower
36	1671592	1	BRACKET, Center, Roller
37	1927477	2	SCREW, Hex Hd., Taptite, 5/16-18 x 1
38	1668513	1	ROLLER
39	1673106	1	STOP, Belt
40	1655839	1	PULLEY ASSY., R.H.
41	1678100	1	WASHER, Wave
42	960171	1	WASHER, Nylon

For serial no. 1009 & lower see TP-1067-02

*Refer to page 41 for arbor assembly procedures.



Coat O.D. with anti-seize lubricant.

*Adjust fore and aft pitch by lengthening or shortening.

*Refer to Operator's Manual for complete adjustment procedures.

Assembled dimensions 3-1/8 inches.

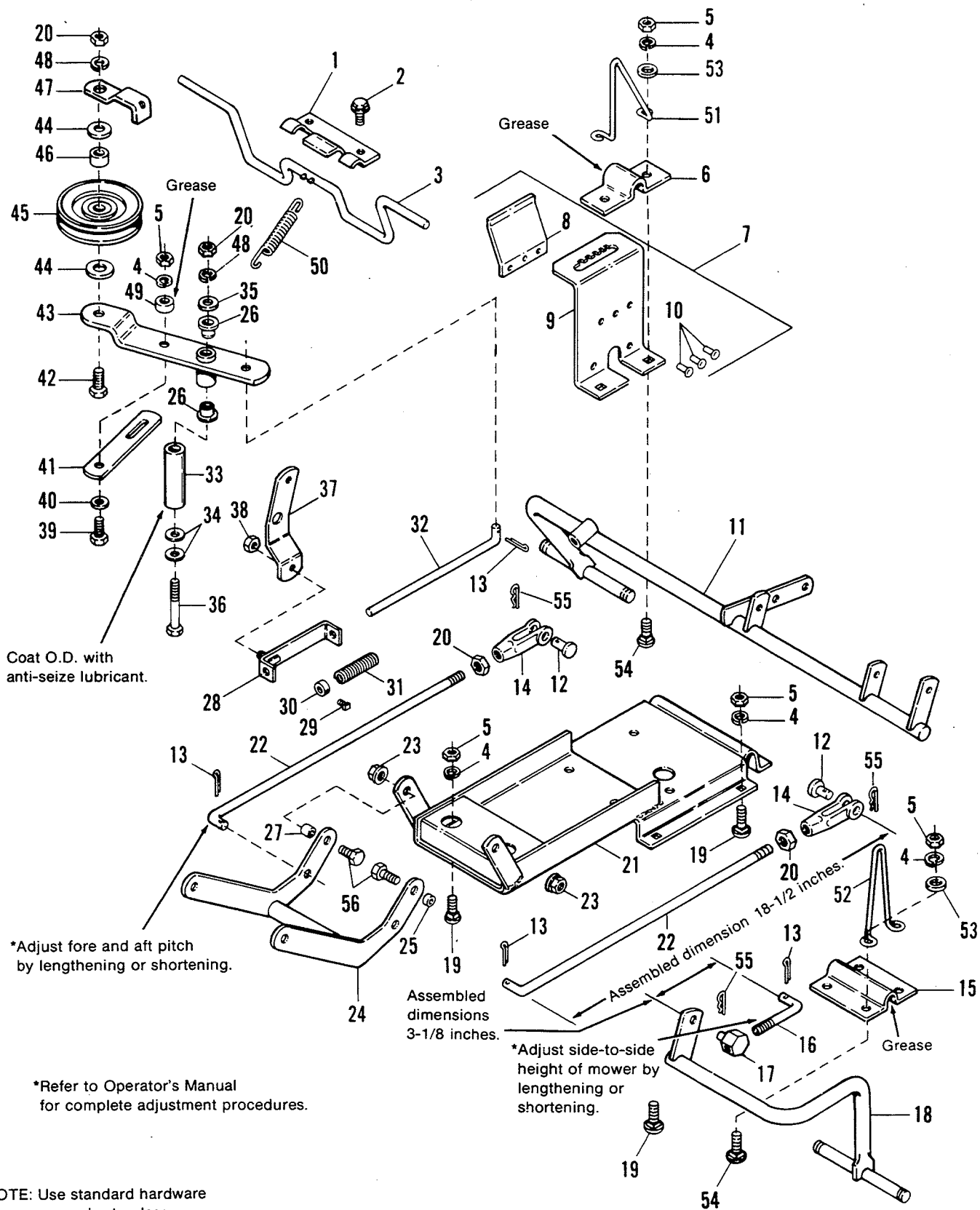
*Adjust side-to-side height of mower by lengthening or shortening.

NOTE: Use standard hardware torque spec. chart unless otherwise noted.

Ref. No.	Part No.	Qty.	Description
1	1655507	1	SUPPORT, Brake
2	927428	2	SCREW, Hex, Washer Hd., Taptite, 1/4-20 x 3/8
3	1673110	1	ROD ASSY., Brake
4	1917356	15	LOCKWASHER, 5/16
5	1917372	15	NUT, Hex, Full, 5/16-18
6	1654655	1	STRAP
7	1663223	1	QUADRANT ASSY. (Incl. Ref. Nos. 8, 9 & 10)
8	1663222	1	SPRING, Flat
9		1	QUADRANT (See Ref. No. 7)
10	910542	3	RIVET, Tubular, 3/16 x 5/16
11	1668099	1	SUPPORT ASSY., Roller, R.H.
12	1923087	2	PIN, Clevis
13	1918447	4	PIN, Cotter, 3/32 x 3/4
14	108157	2	CLEVIS, Adjusting
15	1653768	1	CLAMP, Wheel Support
16	1655811	1	ROD, Bolt
17	108512	1	PIVOT
18	1668098	1	SUPPORT ASSY., Roller, L.H.
19	1931333	8	BOLT, Carriage, 5/16-18 x 3/4
20	1916950	4	NUT, Hex, Full, 3/8-16
21	1702341	1	SUPPORT ASSY., MOWER
22	1654411	2	ROD, Height Adjustment
23	1930645	2	LOCKNUT, Hex, Flange, 3/8-16
24	1674011	1	ARM ASSY., Rocker
25	118335	1	SPACER
26	1663114	2	BUSHING
27	154177	1	SPACER
28	108662	1	GUIDE ASSY., Rod
29	1928804	1	SETSCREW, 1/4-20 x 3/8

NOTE: Ref. No. 30-56 on following pages.

NOTE: For serial no. 1009 and lower, see TP-1067-02.



Coat O.D. with anti-seize lubricant.

*Adjust fore and aft pitch by lengthening or shortening.

*Refer to Operator's Manual for complete adjustment procedures.

Assembled dimensions 3-1/8 inches.

*Adjust side-to-side height of mower by lengthening or shortening.

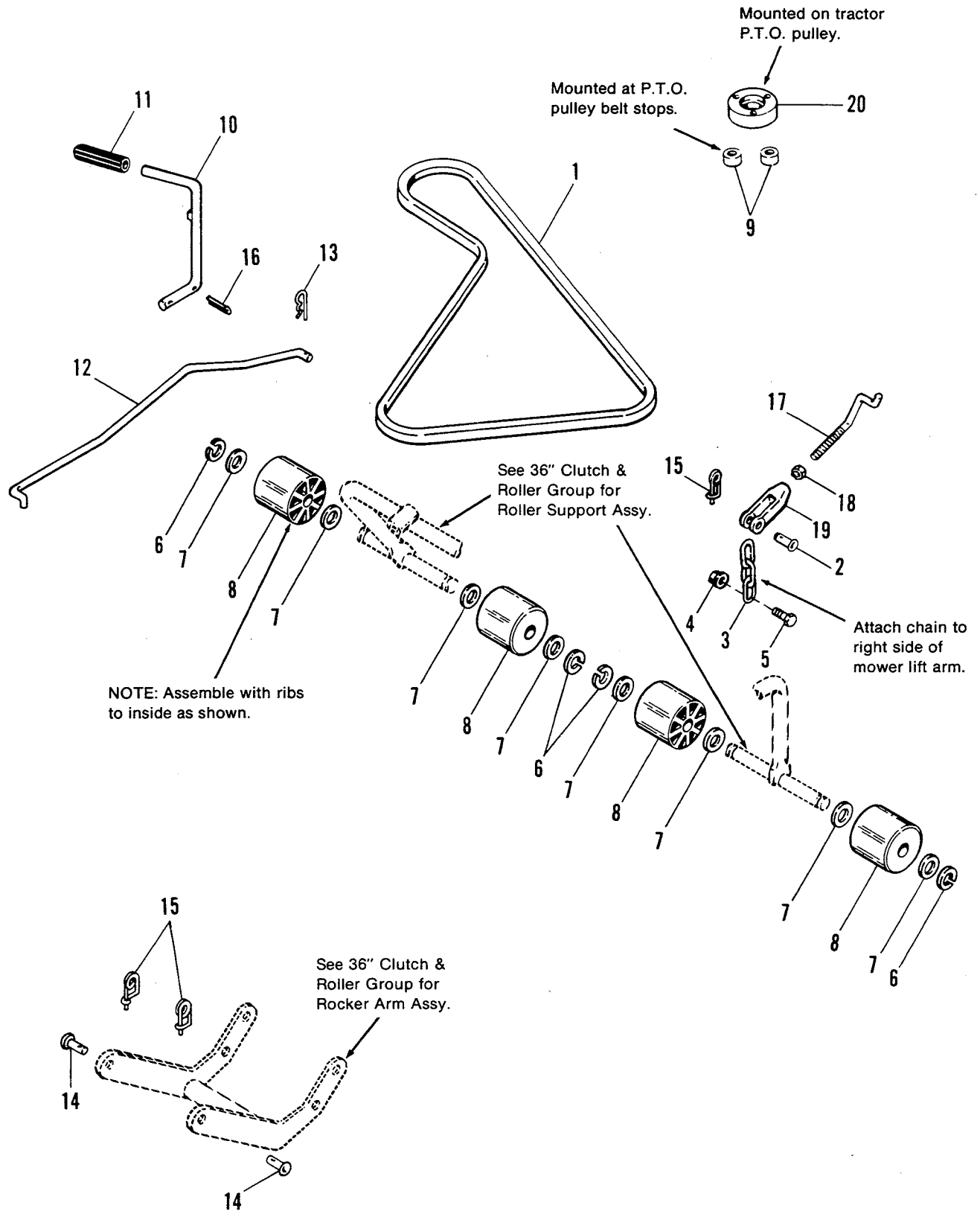
Assembled dimension 18-1/2 inches.

NOTE: Use standard hardware torque spec. chart unless otherwise noted.

Ref. No.	Part No.	Qty.	Description
30	8191022	1	COLLAR, Set
31	163103	1	SPRING
32	171320	1	ROD, Clutch
33	1657242	1	SPACER
34	1924356	2	WASHER
35	1917378	1	WASHER, Plain, 3/8
36	1928957	1	CAPSCREW, Hex Hd., 3/8-16 x 2-3/4
37	1669283	1	ARM, Pivot
38	1923362	1	LOCKNUT, Hex, 5/16-18
39	1921333	1	CAPSCREW, Hex Hd., 5/16-18 x 1.0
40	177649	1	WASHER, Compression
41	1701563	1	LEVER, Brake
42	1921971	1	CAPSCREW, Hex Hd., 3/8-16 x 1-3/4
43	1677750	1	LEVER ASSY., Clutch (Incl. Ref. No. 26)
44	1922755	2	WASHER, Plain
45	1685150	1	PULLEY ASSY. (Incl. Ref. No. 46)
46	1666294	1	SPACER
47	1679486	1	GUIDE, Belt
48	1916965	2	LOCKWASHER, 3/8
49	1655085	1	SPACER
50	159159	1	SPRING
51	1669232	1	UP-STOP, R.H.
52	1669233	1	UP-STOP, L.H.
53	1917642	4	WASHER, Plain, 5/16
54	1920564	6	BOLT, Carriage, 5/16-18 x 1-1/4
55	1960074	3	CLIP, Hairpin
56	1920415	2	CAPSCREW, Hex Hd., 3/8-16 x 1-1/4

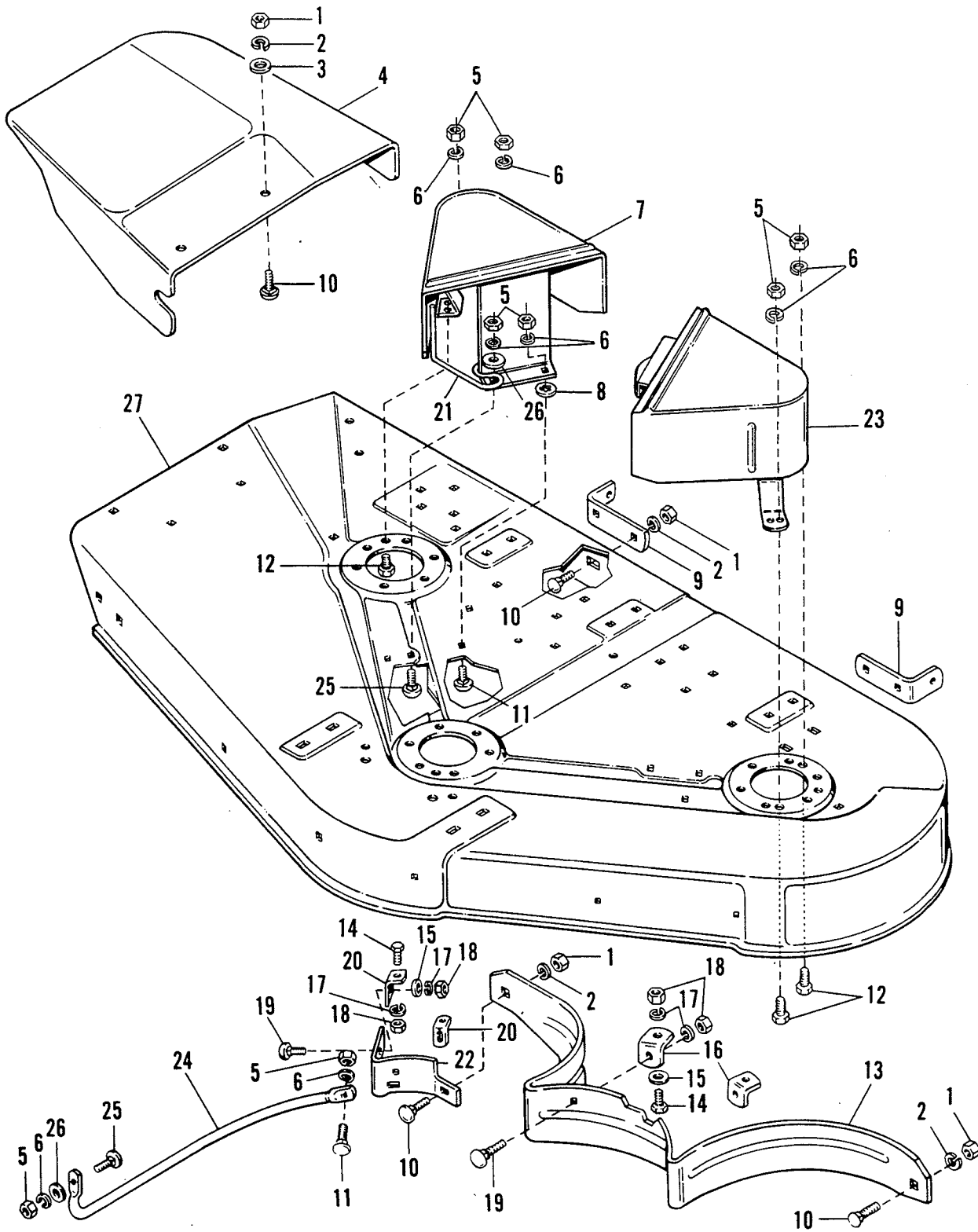
NOTE: Ref. Nos. 1-20 on preceding page.

NOTE: For serial no. 1009 and lower, see TP-1067-02.



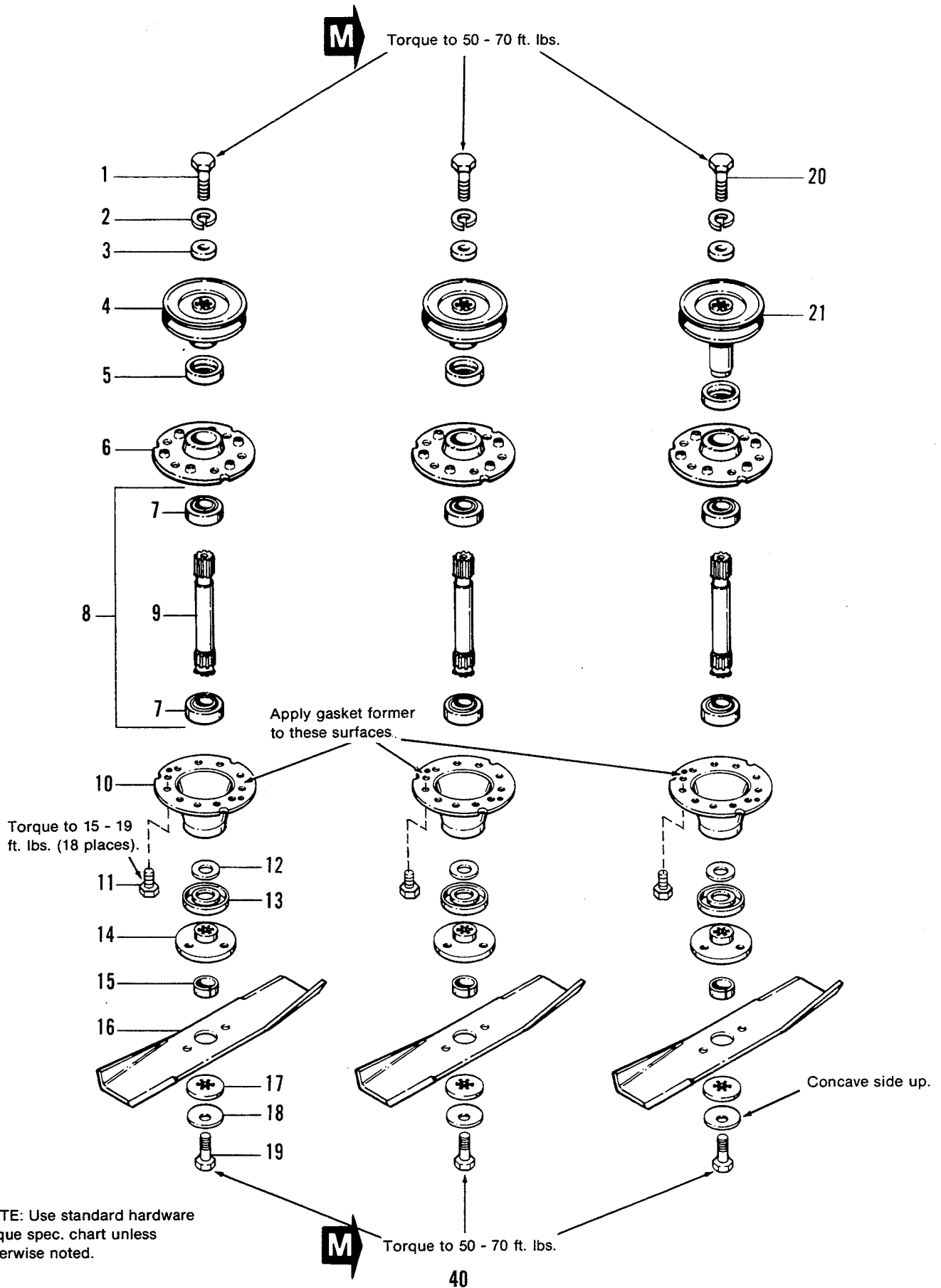
NOTE: Use standard hardware torque spec. chart unless otherwise noted.

Ref. No.	Part No.	Qty.	Description
1	1668065	1	V-BELT, Mower Drive
2	1673574	1	PIN, Rivet
3	1656835	1	CHAIN, Lift
4	1935048	1	LOCKNUT, Hex, Flange, 5/16-18
5	1921333	1	CAPSCREW, Hex Hd., 5/16-18 x 1
6	153124	4	RING, Retaining
7	1919387	8	WASHER, Plain, 5/8
8	1668487	4	ROLLER
9	1667812	2	SPACER
10	1656412	1	LEVER, Control
11	176933	1	GRIP, Handle
12	1669234	1	ROD, P.T.O.
13	1960074	1	CLIP, Spring
14	156306	2	PIN
15	176012	3	CLIP, Pin, Safety
16	1918452	2	PIN, Cotter, 1/8 x 1
17	1685243	1	ROD, Lift (Incl. Ref. Nos. 2, 15, 18 & 19)
18	1920161	1	NUT, Jam, 5/16-18
19	1673575	1	CLEVIS
20	1669751	1	SPACER, Pulley



NOTE: Use standard hardware torque spec. chart unless otherwise noted.

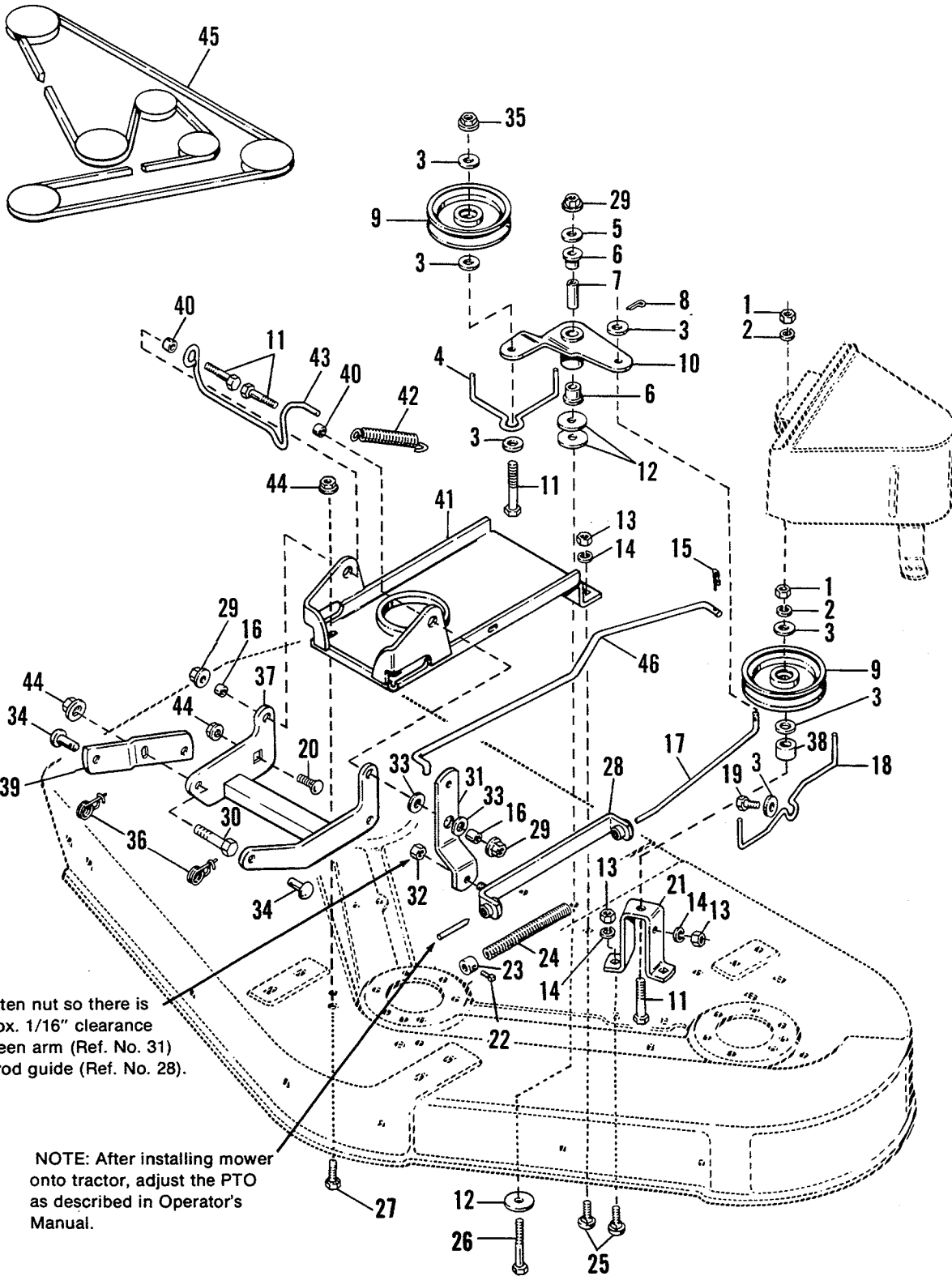
Ref. No.	Part No.	Qty.	Description
1	1916950	8	NUT, Hex, 3/8-16
2	1916965	8	LOCKWASHER, 3/8
3	1917378	2	WASHER, Plain, 3/8
4	1656049	1	DEFLECTOR
5	1917372	8	NUT, Hex, 5/16-18
6	1917356	8	LOCKWASHER, 5/16
7	1702214	1	ARBOR COVER ASSY.
8	933988	2	PUSHNUT, 5/16
9	1603264	2	BRACKET, Roller Support
10	1931348	8	BOLT, Carriage, 3/8-16 x 3/4
11	1931333	2	BOLT, Carriage, 5/16-18 x 3/4
12	1921333	4	CAPSCREW, Hex, 5/16-18 x 3/4
13	1608135	1	BAFFLE
14	1923341	8	CAPSCREW, Hex, 1/4-20 x 3/4
15	1917377	4	WASHER, 1/4
16	1608331	2	CLIP, Baffle
17	1916964	8	LOCKWASHER, 1/4
18	1916622	8	NUT, Hex, 1/4-20
19	1923333	4	BOLT, Carriage, 1/4-20 x 5/8
20	108186	2	CLIP GUARD & BAFFLE
21	1666888	1	STOP, Belt
22	1665709	1	BAFFLE, Discharge
23	1702213	1	ARBOR COVER ASSY.
24	1665562	1	GUARD, Mower Discharge
25	1931335	2	BOLT, Carriage, 5/16-18 x 1
26	1919381	2	WASHER, 11/32 x 1
27	1685156	1	42" ROTARY MOWER HOUSING KIT (Incl. Safety Decals)



Ref. No.	Part No.	Qty.	Description
1	1936723	2	CAPSCREW, Hex 7/16-14 x 1-3/4
2	1918199	3	LOCKWASHER, 7/16
3	1933263	3	WASHER, Plain, 29/64 x 1-1/4 x 1/4
4	1665476	2	PULLEY ASSY.
5	1657969	3	SHIELD, Bearing Upper
6	1655729	3	HOUSING TOP
7	108202	6	BEARING
8	1685251	3	SHAFT & BEARING ASSY. (Incl. Ref. Nos. 7, 9 & 15)
9	1685245	3	SHAFT, Arbor (Incl. Ref. No. 15)
10	1655728	3	HOUSING, Bottom
11	1664847	18	SCREW, Hex, Taptite, 5/16-18 x 3/4
12	1700230	3	WASHER, Shim
13	1700229	3	SHIELD, Grass
14	1655777	3	ADAPTOR, Blade
15	1672132	3	COLLAR
16	1656147	3	BLADE, 42" Mower
17	1656927	3	WASHER, Spline
18	1656916	3	WASHER, Spring
19	1923491	3	CAPSCREW, Hex 7/16-14 x 1
20	1930585	1	CAPSCREW, Hex, 7/16-14 x 3-1/2
21	1665347	1	PULLEY ASSY.

ASSEMBLY PROCEDURES

- A. Press (2) bearings (Ref. No. 7) with land riding seal (see note below) facing up over shafts (Ref. No. 9) using pressure only on the inner race of the bearing. NOTE: Land riding seal is side of bearing without steel shield. If bearing has shield on both sides, it can be installed either way.
- B. Assemble upper and lower arbor housing (Ref. Nos. 6 & 10) over bearings. Must be careful that housings do not cock on bearings. When upper and lower housing flanges come together proper alignment of holes in housing flanges are accomplished by aligning knockouts in lower housing flange with mating holes in upper housing flange. Also half holes in outer edge must match.
- C. Seal between flanges of upper arbor housing and lower arbor housing with gasket eliminator. Remove contaminants such as grease, heavy oils and dirt from flange surfaces before assembly. Avoid lateral movement between flange surfaces during assembly.



Tighten nut so there is approx. 1/16" clearance between arm (Ref. No. 31) and rod guide (Ref. No. 28).

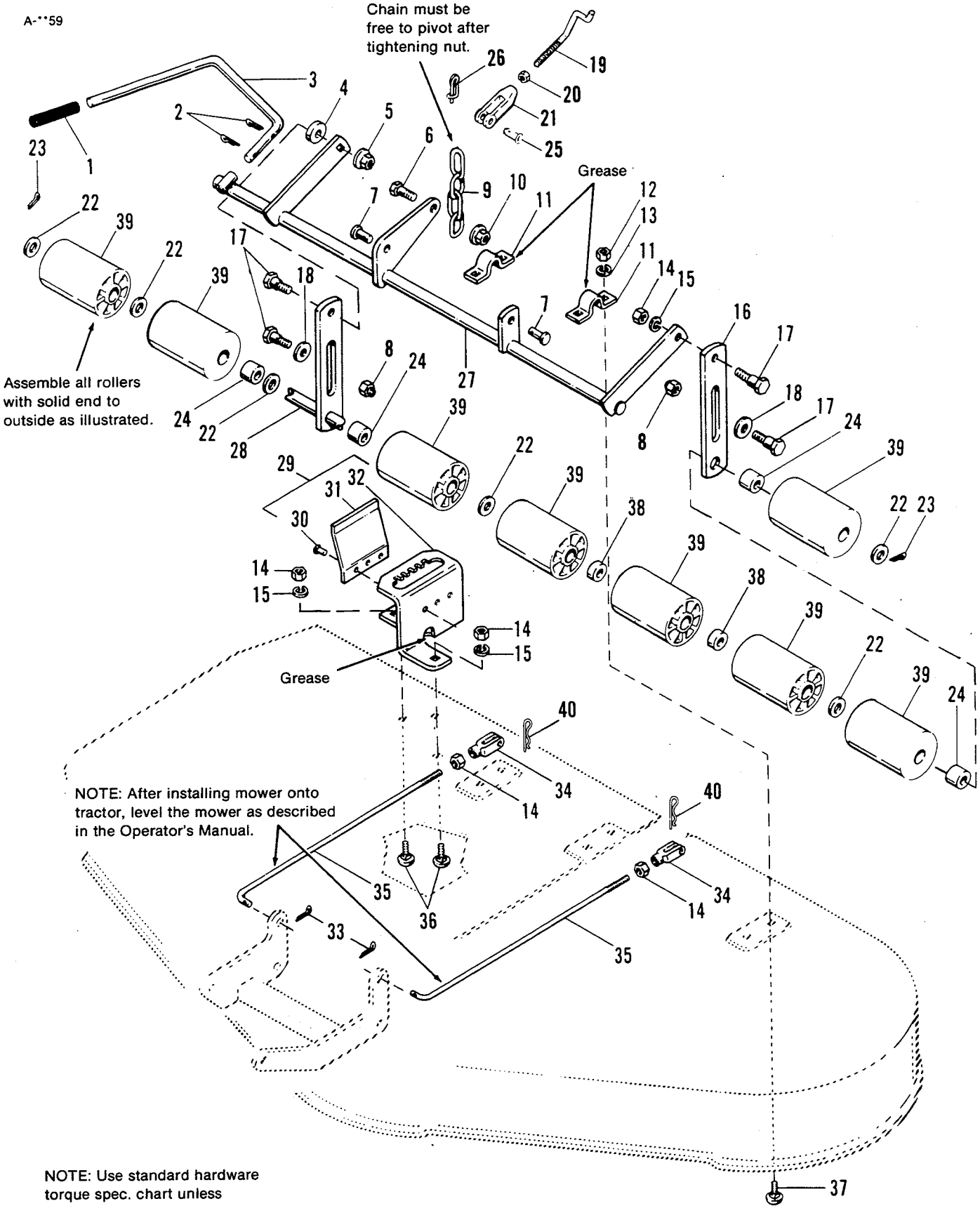
NOTE: After installing mower onto tractor, adjust the PTO as described in Operator's Manual.

NOTE: Use standard hardware torque spec. chart unless otherwise noted.

Ref. No.	Part No.	Qty.	Description
1	1916950	1	NUT, Hex, 3/8-16
2	1916965	1	LOCKWASHER, 3/8
3	1917642	7	WASHER, Plain, 5/16
4	1669306	1	STOP, Belt
5	1917378	1	WASHER, Plain, 3/8
6	1663114	2	BUSHING
7	1657242	1	SPACER
8	1918447	1	PIN, Cotter, 3/32 x 3/4
9	171247	2	PULLEY, Idler
10	1701861	1	LEVER ASSY., Clutch
11	1921971	4	CAPSCREW, 3/8-16 x 1-3/4
12	1924356	3	WASHER, Special
13	1917372	5	NUT, Hex, 5/16-18
14	1917356	5	LOCKWASHER, 5/16
15	1918196	1	PIN, Quick, 1-7/8
16	1674440	2	SPACER
17	1668041	1	ROD, Clutch, Mower
18	1669259	1	STOP, Belt
19	1921333	1	CAPSCREW, Hex, 5/16-18 x 1
20	1960135	1	BOLT, Carriage, 7/16-14 x 1-1/4
21	1665649	1	SUPPORT, Idler
22	1928804	1	SETSCREW, Sq. Hd., 1/4-20 x 3/8
23	8191022	1	COLLAR, Set
24	1668282	1	SPRING
25	1931333	4	BOLT, Carriage, 5/16-18 x 3/4
26	1928957	1	CAPSCREW, 3/8-16 x 2-3/4
27	1960043	2	BOLT, Whizlock, 7/16-14 UNC x 1"
28	1668278	1	GUIDE ASSY., Rod
29	1930645	3	NUT, Hex, Flange, 3/8-16
30	1920677	1	CAPSCREW, Hex Hd., 7/16-14 x 1-1/4
31	1665624	1	ARM, Pivot
32	1928698	1	NUT, Jam, Ctr. Lock, 5/16-18
33	1919387	2	WASHER, Plain, 5/8
34	156306	2	PIN
35	1930645	1	NUT, Hex, 3/8-16
36	176012	2	PIN, Safety
37	1674443	1	ARM ASSY., Rocker
38	174870	1	SPACER
39	1674441	1	ARM, Rocker
40	118335	2	SPACER
41	1677079	1	SUPPORT ASSY.
42	159159	1	SPRING, Tension
43	1701534	1	ROD, Brake
44	1935041	2	NUT, Flange, Whizlock, 7/16-14
45	1668066	1	V-BELT, Mower Drive
46	1669160	1	ROD, Clutch, Tractor P.T.O.

A-59

Chain must be free to pivot after tightening nut.

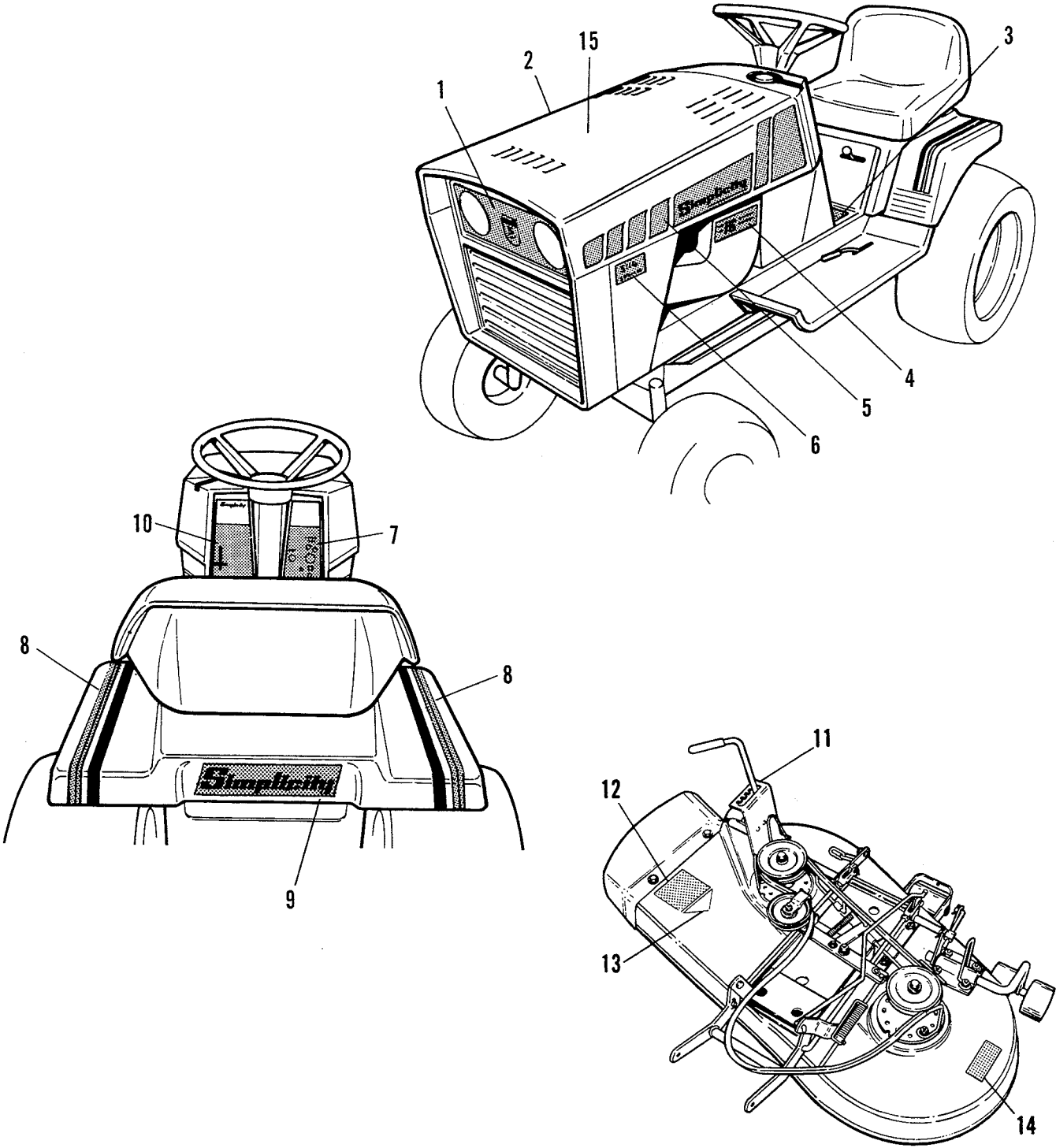


Assemble all rollers with solid end to outside as illustrated.

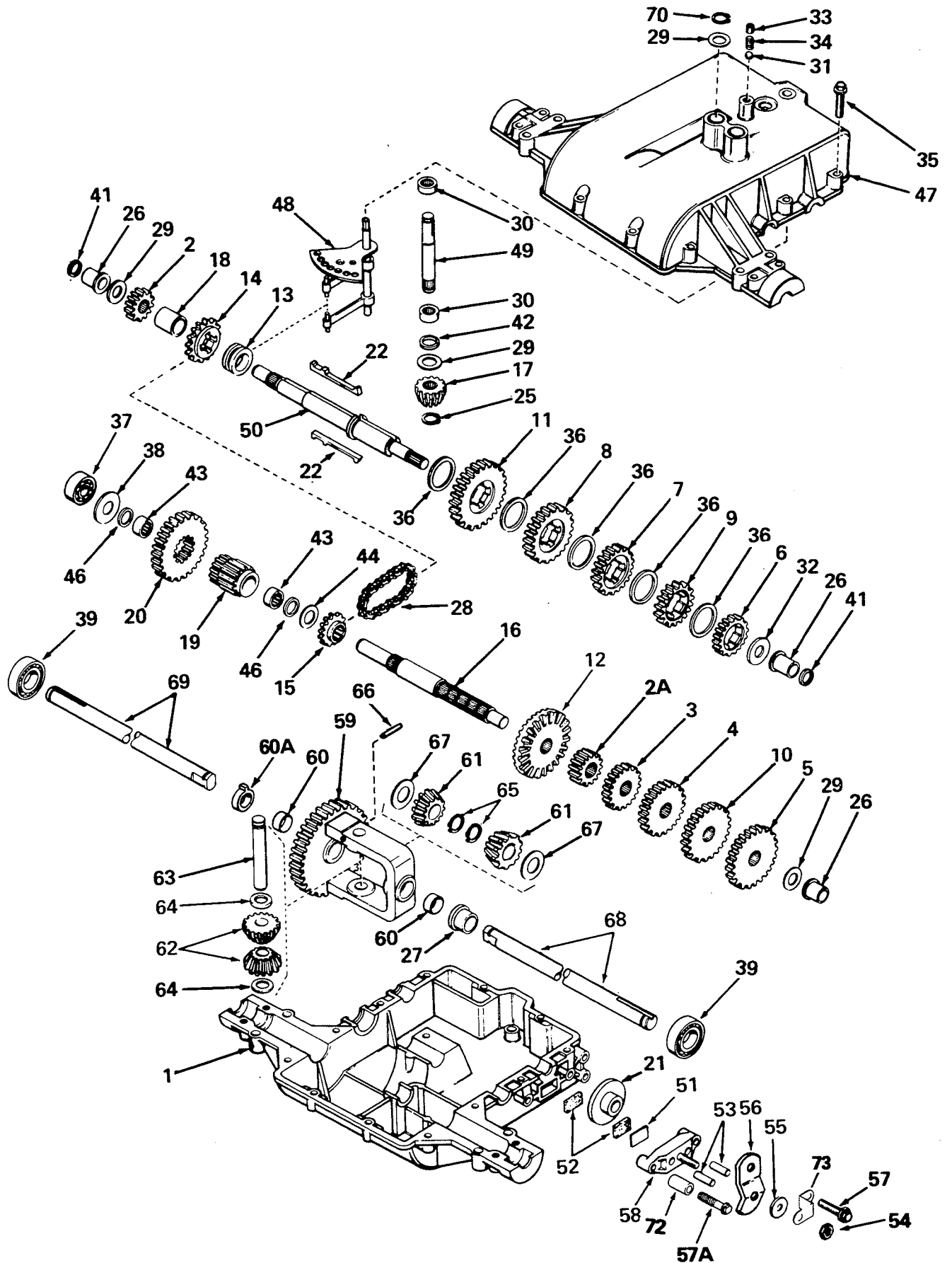
NOTE: After installing mower onto tractor, level the mower as described in the Operator's Manual.

NOTE: Use standard hardware torque spec. chart unless otherwise noted.

Ref. No.	Part No.	Qty.	Description
1	176933	1	GRIP
2	1918452	2	PIN, Cotter, 1/8 x 1
3	1665864	1	LEVER, Control
4	1922755	1	WASHER, Plain, 13/32
5	1928352	1	LOCKNUT, Hex, Flange, Whiz, 3/8-16
6	1921333	1	CAPSCREW, Hex, 5/16-18 x 1
7	1923087	2	PIN, Clevis
8	1919439	2	NUT, Esna Locknut, 3/8-16
9	1669241	1	CHAIN, Lift
10	1935048	1	LOCKNUT, Flange, 5/16-18
11	1665374	2	STRAP
12	1917372	4	NUT, Hex, 5/16-18
13	1917356	4	LOCKWASHER, 5/16
14	1916950	6	NUT, Hex, 3/8-16
15	1916965	4	LOCKWASHER, 3/8
16	1603263	1	BAR, Roller
17	1665693	4	BOLT, Shoulder, 3/8-16
18	1924361	2	WASHER, Plain, 1/2
19	1685243	1	ROD, Lift (Incl. Ref. Nos. 20, 21, 25 & 26)
20	1920161	1	NUT
21	1673575	1	CLEVIS
22	1919387	6	WASHER, 25/32 x 1-1/4
23	1918458	2	PIN, Cotter, 3/16 x 1
24	1602946	4	SPACER
25	1673574	1	PIN
26	176012	1	CLIP
27	1685217	1	ARM ASSY., Mower
28	1668814	1	SHAFT ASSY, Roller
29	1668828	1	QUADRANT ASSY. (Incl. Ref. No. 30, 31, 32)
30	910542	3	RIVET
31	1663222	1	SPRING, Flat
32		1	QUADRANT (Order Ref. No. 29)
33	1918447	2	PIN, Cotter, 3/32 x 3/4
34	108157	2	CLEVIS, Adj.
35	1665417	2	ROD, Adj.
36	1931348	3	BOLT, Carriage, 3/8-16 x 3/4
37	1931333	4	BOLT, Carriage, 5/16-18 x 3/4
38	172914	2	SPACER
39	1668513	8	ROLLER
40	1960074	2	CLIP, Hairpin



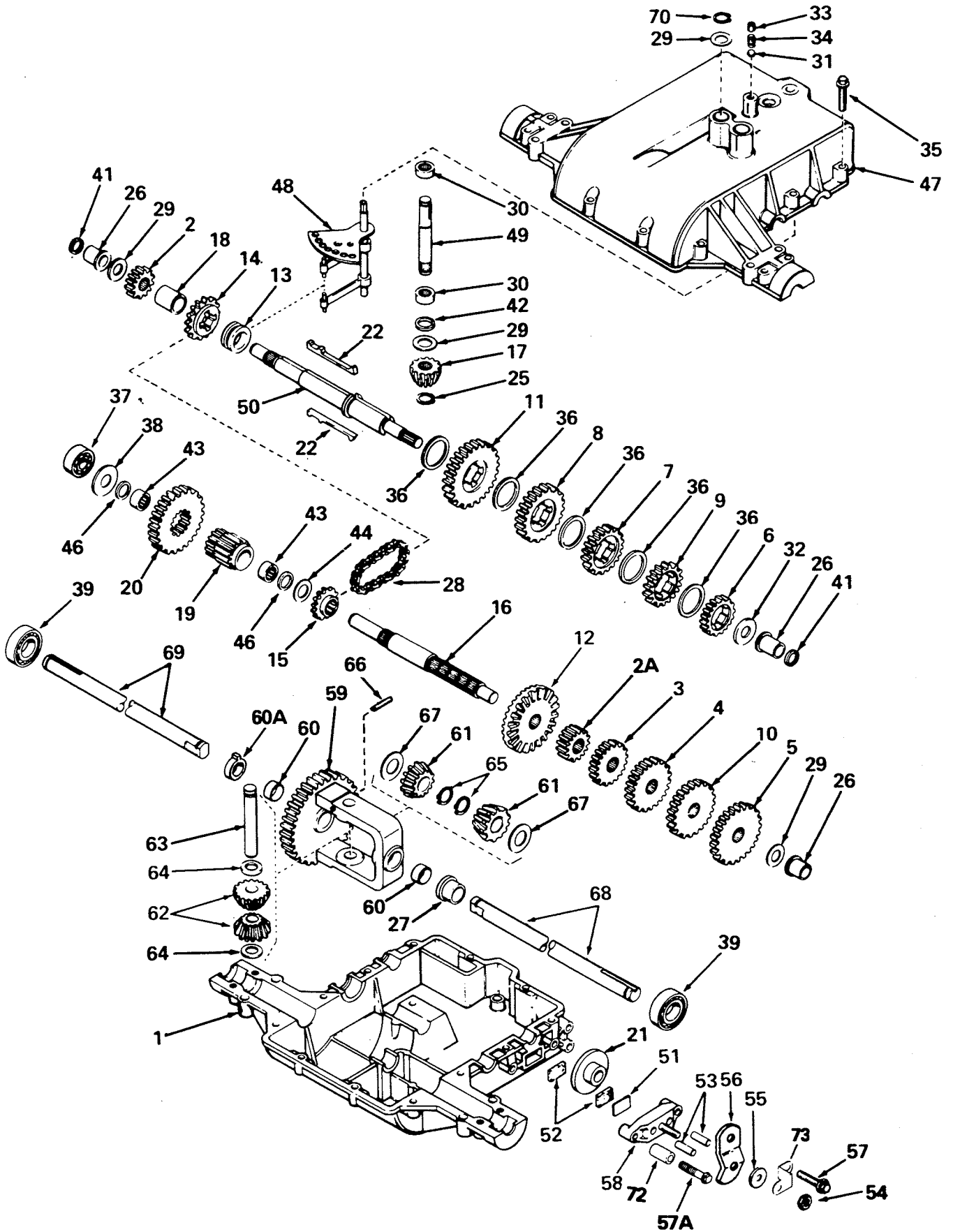
Ref. No.	Part No.	Qty.	Description
1	1669367	1	DECAL, Grille
2	1668195	1	DECAL, Hood, R.H.
3	1676927	1	DECAL, Shift
4	1669577	2	DECAL, Engine (1691030, 1691031)
	1679143	2	DECAL, Engine (1691175, 1691238)
5	1668196	1	DECAL, Hood, L.H.
6	1673486	2	DECAL, 5216 Special (1691030, 1691031)
	1676977	2	DECAL, 5211 (1691095)
	1678635	2	DECAL, 5212.5 Special (1691175, 1691238)
	1700122	2	DECAL, 5212 (1691272)
7	1669368	1	DECAL, Dash, R.H. (1691030, 1691031, 1691175 & 1691238)
	1676975	1	DECAL, Dash, R.H. (1691095, 1691272)
8	1668201	2	DECAL, Seat Deck
9	1668202	1	DECAL, <i>Simplicity</i>
10	1668200	1	DECAL, Dash, L.H. (1691030, 1691031, 1691175 & 1691238)
	1677050	1	DECAL, Dash, L.H. (1691095, 1691272)
11	1656855	1	DECAL, Mower Height
12	1676922	1	DECAL, Danger
13		1	DECAL, OPEI (Not Serviced)
14	1676921	1	DECAL, Danger
15	1676979	1	DECAL, Drive Belts (Inside Hood) (1691030, 1691031, 1691095, 1691175, 1691238)
	1700121	1	DECAL, Drive Belts (Inside Hood) (1691272 only)



Ref. No.	Part No.	Qty.	Description
1	770071A	1	CASE, Transaxle
2	778136	1	GEAR, Spur (15 teeth)
2A	778145	1	GEAR, Spur (12 teeth)
3	778126A	1	GEAR, Spur (20 teeth)
4	778127A	1	GEAR, Spur (25 teeth)
5	778129A	1	GEAR, Spur (30 teeth)
6	778121A	1	GEAR, Spur (20 teeth)
7	778123A	1	GEAR, Spur (25 teeth)
8	778124A	1	GEAR, Spur (30 teeth)
9	778122A	1	GEAR, Spur (22 teeth)
10	778128A	1	GEAR, Spur (28 teeth)
11	778146A	1	GEAR, Spur (37 teeth)
12	778137A	1	GEAR, Bevel (42 teeth)
13	784266	1	COLLAR, Shift
14	786060	1	SPROCKET (14 teeth)
15	786061	1	SPROCKET (10 teeth)
16	776204	1	SHAFT, Counter
17	778113A	1	BEVEL PINION, Input
18	786074	1	SPACER
19	778138	1	PINION, Output
20	778139	1	GEAR, Output
21	790003	1	DISK, Brake
22	792089A	2	KEY
25	788040	1	RING, Retaining
26	780105A	3	BUSHING, Flanged
27	780118A	2	BUSHING, Flanged
28	786062	1	CHAIN, Roller (No. 41 chain, 22 links)
29	780072	4	WASHER, Thrust
30	780122	2	BEARING, Needle
31	790277	1	BALL, Steel
32	780109	1	WASHER, Thrust
33	792078	1	SCREW, Set, 3/8-16 x 3/8
34	792079	1	SPRING
35	792073	17	SCREW, Hex Hd., Thd. Form., 1/4-20 x 1-1/4
36	780108	5	WASHER, Thrust
37	780121	2	BEARING, Ball
38	780113	1	WASHER, Flat
39	780119	2	BEARING, Ball
41	788051	2	SEAL, Square Cut
42	788057	1	SEAL, Square Cut
43	780112	2	BEARING, Needle
44	780114	1	WASHER, Flat
46	788053	2	SEAL, Square Cut
47	772082	1	COVER, Transaxle
48	784290	1	ROD & FORK ASSY., Shift
49	776135	1	SHAFT, Input
50	776184A	1	SHAFT, Brake

Reference Nos. 51 - 73 are found on the following page.

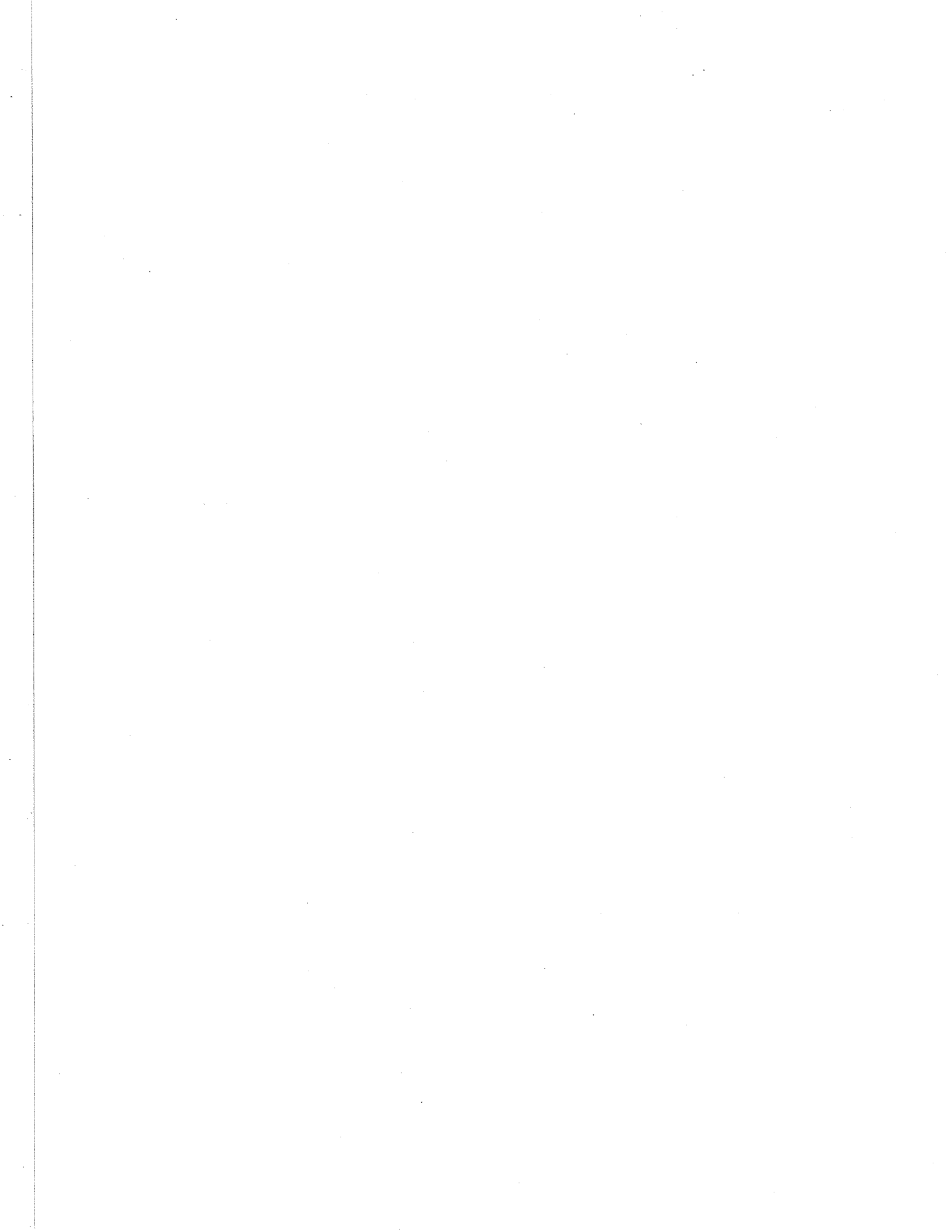
NOTE: See an authorized Tecumseh dealer for parts and service; Peerless parts are not available thru *Simplicity*.






Ref. No.	Part No.	Qty.	Description
51	790007	1	PLATE, Brake Pad
52	790006	2	PAD, Brake
53	786026	2	PIN, Dowel
54	792075	2	LOCKNUT, 5/16-24
55	792076	1	WASHER, Flat
56	790019	1	LEVER, Brake
57	792073	1	SCREW, Hex Hd., Thd., Form., 1/4-20 x 1-1/4
57A	792084	1	SCREW, Hex Hd., Thd., Form., 1/4-20 x 2-1/4
58	790025	1	HOLDER, Brake Pad
59	778053A	1	GEAR ASSY., Differential (Incl. 2 of No. 60)
60	780064	2	BUSHING
60A	780120	1	BUSHING
61	778132	2	GEAR, Bevel
62	778131	2	PINION, Bevel
63	786034	1	PIN, Drive
64	780065	2	WASHER, Thrust
65	792018	2	RING, Retaining
66	792040	1	PIN, Roll
67	780001	2	WASHER, Thrust
68	774517	1	AXLE (15-1/2" long)
69	774516	1	AXLE (12-1/2" long)
70	792035	1	RING, Retaining
72	786066	1	SPACER
73	786086	1	BRACKET

Reference Nos. 1-50 are found on the preceding page.

NOTE: See an authorized Tecumseh dealer for parts and service; Peerless parts are not available thru *Simplicity*.



**TORQUE SPECIFICATIONS FOR
STANDARD MACHINE HARDWARE
TOLERANCE ± 20%**

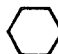


SIZE	SAE GRADE #2		SAE GRADE #5		SAE GRADE #8	
						
8-32	19	In. Lbs.	30	In. Lbs.	41	In. Lbs.
8-36	20	"	31	"	43	"
10-24	27	"	43	"	60	"
10-32	31	"	49	"	68	"
1/4-20	66	"	8	Ft. Lbs	12	Ft. Lbs.
1/4-28	76	"	10	"	14	"
5/16-18	11	Ft. Lbs	17	"	25	"
5/16-24	12	"	19	"	25	"
3/8-16	20	"	30	"	45	"
3/8-24	23	"	35	"	50	"
7/16-14	30	"	50	"	70	"
7/16-20	35	"	55	"	80	"
1/2-13	50	"	75	"	110	"
1/2-20	55	"	90	"	120	"
9/16-12	65	"	110	"	150	"
9/16-18	75	"	120	"	170	"
5/8-11	90	"	150	"	220	"
5/8-18	100	"	180	"	240	"
3/4-10	160	"	260	"	386	"
3/4-16	180	"	300	"	420	"
7/8-9	140	"	400	"	600	"
7/8-14	155	"	440	"	660	"
1-8	220	"	580	"	900	"
1-12	240	"	640	"	1,000	"

NOTE:

1. These torque values are to be used for all *Simplicity* hardware excluding: locknuts, self-tapping screws, thread forming screws, sheet metal screws and socket head setscrews.
2. Recommended seating torque values for locknuts:
 - a. For prevailing torque locknuts - use 65% of grade 5 torques.
 - b. For flange whizlock nuts (and screws) - use 135% of grade 5 torques.
3. Unless otherwise noted on assembly drawings all torque values must meet this specification.

BOLT HEAD MARKING

S.A.E. GRADE:

- 2 
- 5 
- 8 

SIMPLICITY MANUFACTURING, INC.
500 N. Spring St., P.O. Box 997
Port Washington, WI USA 53074-0997

TP-1092-02
PRINTED IN U.S.A.
©1987 11/87