

How to use this file...(Installation Instruction Sheets)

Instructions for **Print Vendors (Paper Manuals)**

- Paper:** * Finish Size is 8-1/2 x 11
 * Body—50 lbs brilliant white offset or equivalent.
- Press:** * Body—1-color, 2-sided
- Bindery:** * If document is 1 or 2 pages, run as 8-1/2 x 11 sheets.
 * If document is 3 or 4 pages, and **can be run as 2 sided 11 x 17** -- then fold to 8-12 - 11.
 * If document is MORE than 4 pages, run as 8-1/2 x 11 sheets with UL Corner Stitch.
- COVERS:** * This document is a self-covered piece.
 • Check the last page of the document for the individual document number
 (a TP 200-XXXX-XX-XX-SMA number).
- BODY:** * REMEMBER: ODD number pages are ALWAYS right hand pages, and EVEN number are ALWAYS
 left hand pages.
- General:** * **This instruction page is NOT part of the document and must NOT be printed.**
 • Pages labeled with the text "THIS PAGE INTENTIONALLY BLANK" are placement pages ONLY,
 and should NOT be printed.

If you have further questions on how to utilize this file, please contact
Simplicity Technical Publications Department at (414) 284-8650.

Special Dealer Instructions

Update Kit

Part No. 1686775

For Early Production

Landlord / 1700 / 2700 Garden Tractors

UNITS AFFECTED:

| Combo No. | S/N Range | Description |
|-----------|-------------|-----------------|
| 1693382 | 00002-00121 | Landlord 18H/50 |
| 1693378 | 00123-00152 | Landlord 18H/44 |
| 1693398 | 00001-00031 | 1718H/50 |
| 1693394 | 00032-00037 | 1718H/44 |
| 1693404 | 00008-00018 | 2718H/50 |
| 1693393 | 00009-00010 | 2718H/44 |

Our audit process indicates that some units may have been shipped with gas tanks that may leak and must be replaced prior to delivering the tractor to the consumer.

If the tractor has already been delivered to the customer, please pick up the unit and replace the gas tank immediately. (Please see the listing at right for Manufacturer Numbers of the units affected.)

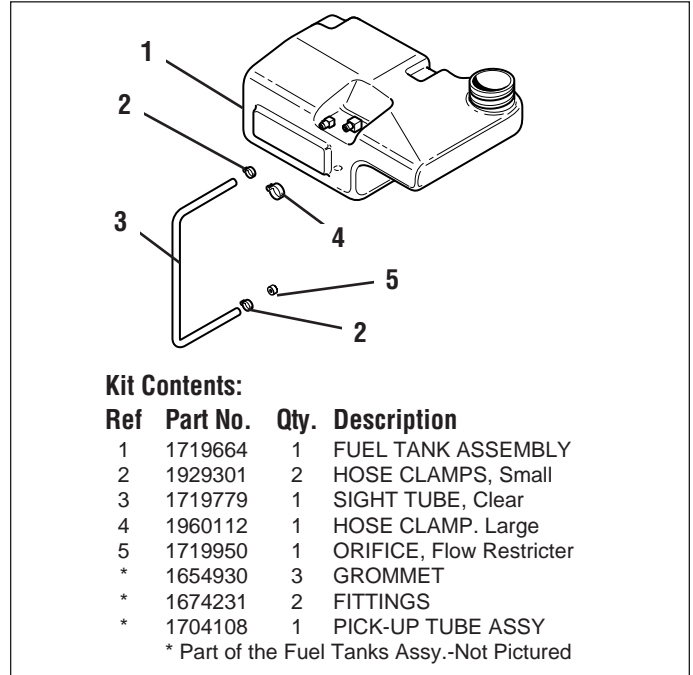


Replacement of the gas tank is a safety related repair and for this reason we would like you to replace the gas tanks on any of the units which have already been delivered to customers.

This kit includes all of the parts which are needed to update these units.

If possible, make these repairs PRIOR to selling the unit to a customer, and **return the defective gas tank to Simplicity**. Please file a warranty claim for your labor along with pick-up and delivery costs (if applicable).

We thank you for your cooperation in this matter, and thank you for helping to make the introduction of the Landlord/1700/2700 Series as flawless as possible.



⚠️ WARNING

Before beginning any service work:

- Turn off the PTO
- Set the parking brake
- Turn off the ignition and remove the key
- Disconnect the spark plug wire(s)
- Disconnect the negative (-) battery cable

Gasoline is highly flammable and must be handled with care. Never fill the tank when the engine is still hot from recent operation. Do not allow open flame, smoking or matches in the area. Avoid over-filling and wipe up any spills.

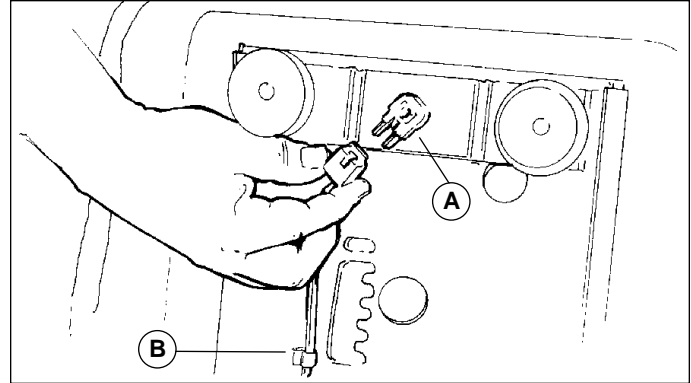


Figure 1. Disconnect Operator Present Switch
A. Safety Switch
B. Speed Clip

INSTALLATION

Remove the Seat & Seat Deck Assembly

1. Turn the ignition switch off, remove the key, set the parking brake, and turn the PTO off. Disconnect the negative battery cable. Remove the mower deck.
2. Tilt the seat forward and disconnect the wire harness attached to the operator present safety switch (A, Figure 1). Note that the harness plug has a locking tab that must be released before disconnecting plug.
3. Remove the wire harness from the speed clip (B) that holds the harness to the bottom of the seat.
4. Drain the fuel tank:
 - Set a drain pan under the tractor to catch the fuel.
 - Remove the hose clamp (I, Figure 3) from the bottom sight tube fitting (J)
 - Disconnect the clear sight tube (H) from the bottom of the fuel tank.
5. Remove the two bolts (C) located at the rear of the foot rests connecting the seat deck to the tractor frame (K).
6. Remove the bolts (A) connecting the seat deck (B) to the deck supports (F). *Do not remove the seat deck yet.*
7. After the fuel tank has drained, tip the seat deck (B) forward slightly and disconnect the sight tube (H) from the top fuel tank fitting (G).
8. Remove the sight tube (H) from the plastic gauge (D) in the seat deck. Pull the tube down. Discard the sight tube (H).
9. Remove the seat deck (B).

Remove and Replace Gas Tank

1. Remove the hardware (O) securing the seat deck brackets (F) to the frame (K).
2. Remove and replace the fuel tank (M).
3. Reinstall the seat deck brackets (F).
4. Secure the filter plate (P) to the seat deck brackets (F).
5. Reconnect the fuel line to the fuel line fitting (L). Secure using the hose clamp provided.
6. Connect the clear sight tube (H) to the top fitting (G). Secure with the hose clamp provided (I).

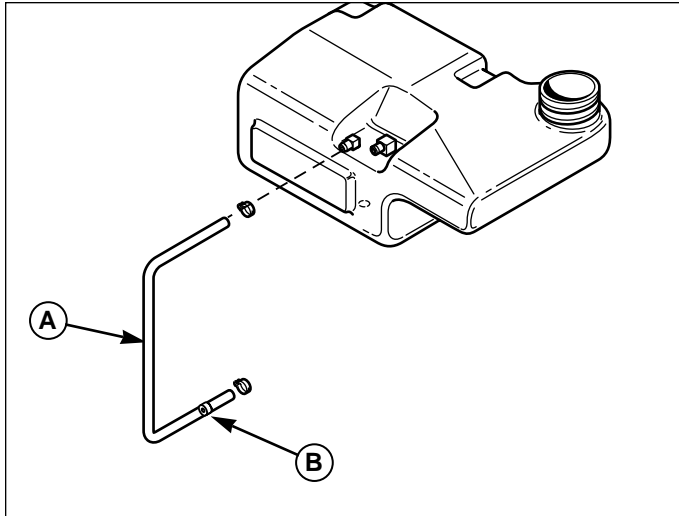


Figure 2. Install Orifice
A. Clear Tube
B. Orifice

Install Seat Deck

1. Set the seat deck (B, Figure 3) on the seat deck brackets (F).
2. Tip the seat deck (B) forward to access the sight tube (H).
3. Route the seat switch wire harness through the hole in the top of the seat deck.
4. Lubricate the sight tube (H) with white lithium grease.
5. Insert the tube (H) through the sight gauge (D) from the top while tipping the seat deck down. All slack tubing must be removed from above the sight gauge or the clear tube (H) will kink.. Before securing the seat deck, check that the tube is not kinked at the top fitting (G).
6. Using an allen wrench, insert the small orifice fitting (B, Figure 2) apx. 1/2"-3/4" into the bottom of the clear tube (A).
7. Connect the clear tube (H, Figure 3) to the bottom fuel tank fitting (J). Secure using the hose clamp provided.
8. Secure the seat deck (B) to the seat deck brackets (F) and frame (K) using the original hardware (A & C).

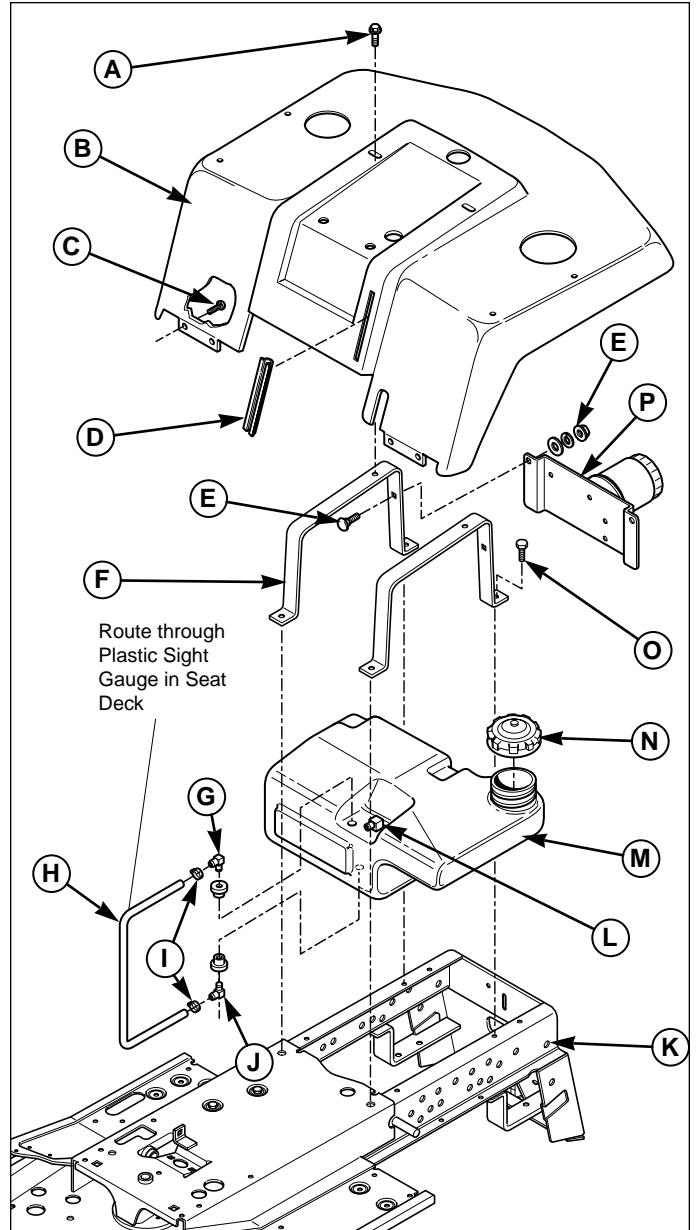


Figure 3. Gas Tank Replacement
A. Top Seat Deck Capscrew
B. Seat Deck
C. Foot Rest Capscrew
D. Plastic Sight Gauge
E. Filter Plate Hardware
F. Seat Deck Brackets
G. Top Sight Tube Fitting
H. Clear Sight Tube
I. Small Hose Clamps
J. Bottom Sight Tube Fitting
K. Frame
L. Fuel Line Fitting
M. Fuel Tank
N. Fuel Cap
O. Seat Deck Bracket Hardware
P. Filter Plate

9. Reconnect the seat switch wire harness (E) to the seat switch.
10. Reconnect the negative battery cable.

Return Gas Tank to Simplicity

Thoroughly clean and dry the old gas tank. Using the return slip included with this kit, return the old gas tank to Simplicity.

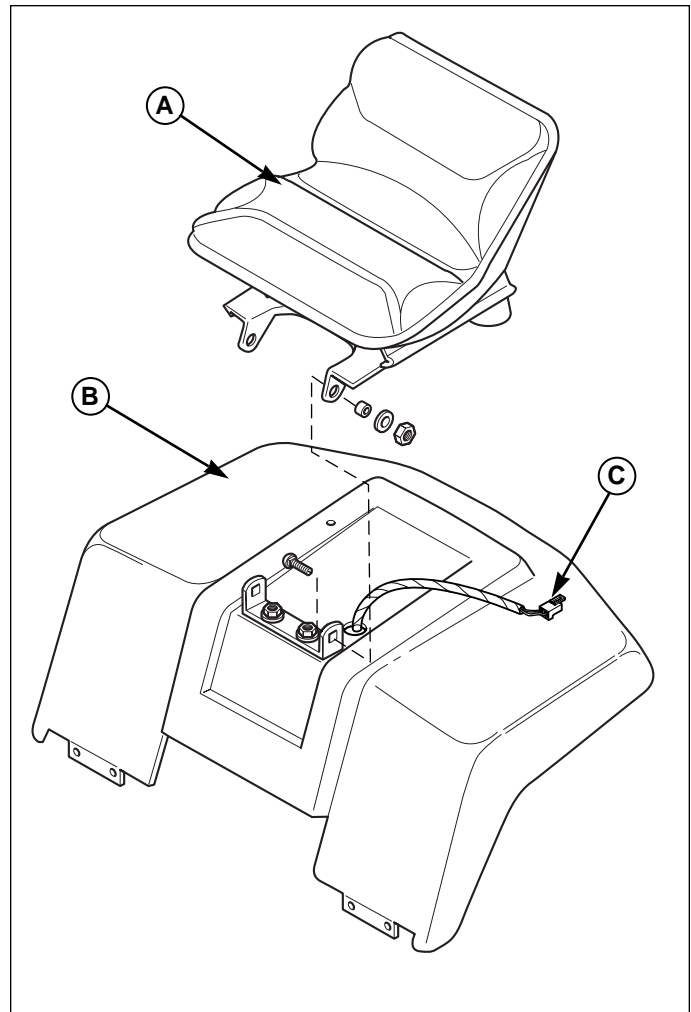


Figure 4. Install Seat Assembly

A. Seat Assembly

B. Seat Deck

C. Seat Switch Wire Harness

Simplicity

MANUFACTURING, INC.

500 N Spring Street / PO Box 997
Port Washington, WI 53074-0997 USA

Form No. 1720053-00

Rev. 1/1999

© 1999 Simplicity Manufacturing, Inc. All Rights Reserved

TP 200-2237-00-SK-SMA