

**Operator's
Manual
Model
1322PS**

**Walk-Behind
Lawnmower**



3.5 HP, 22" Cutting Width
MFG. NO. 1691191

Simplicity®

DANGER

Your rotary lawnmower is a powerful machine which is capable of amputating hands and fingers, feet and toes, and throwing objects that can cause serious injury. Those who use and maintain the machine must be trained in its proper use, know of its dangers, and read this entire manual before attempting to set-up, operate, or service the machine. Failure to observe these instructions, as well as the engine manual, can result in serious injury.



This safety alert symbol identifies important safety information in this manual. When you see this symbol, be alert to the possibility of injury and carefully read the information that follows.

There are three levels of hazard intensity identified by safety alert symbols and signal words - DANGER, WARNING, and CAUTION. The level of hazard intensity is determined by the following definitions:



Immediate hazard which will result in permanent personal injury or death.



Hazard or unsafe practice which could result in severe permanent personal injury.



Hazard or unsafe practice which could result in minor or severe personal injury or product damage.

Safety decals and instructions are easily visible to the operator and are located near any area of potential danger. Replace any decal that is damaged.



Part No. 1677963



Part No. 1700874



Part No. 1677959

YOUR NEW MOWER - FACTS YOU SHOULD KNOW

All rotary mowers manufactured after June 30, 1982 are built to meet the U.S. Consumer Product Safety Commission standards. This new mower operates differently than mowers you may have used in the past. The changes you'll notice most are...

1. The engine/blade must be started from the operator's zone behind the mower's handle.
2. The operator must hold the engine/blade cross bar control against the handle to keep the engine/blade turning.
3. Releasing the engine/blade cross bar control causes the engine/blade to come to a complete stop within 3 seconds.

These new regulations are designed to make mowing safer for you, and to protect you from a blade related injury.

IMPORTANT RULES FOR SAFE OPERATION

1. Read your Owner's Manual and Engine Instruction Manual carefully. Be thoroughly familiar with the controls, and know how to stop the mower quickly.
2. **Never** allow children to operate a power mower.
3. Prevent accidents — keep all people and pets, particularly small children away!
4. Thoroughly inspect the area you plan to mow and remove all stones, sticks, wire, toys, and other foreign objects before mowing.
5. Do not operate your mower when barefoot or wearing sandals. **Always** wear substantial footwear. Steel-toe shoes are recommended.
6. Check your fuel **before** starting the engine. Do not fill the gasoline tank indoors, when the engine is running, or until the engine has been allowed to cool for several minutes after running. Clean off any spilled gasoline before starting the engine.
7. Be sure the self-propelled mechanism or drive clutch is disengaged on a self-propelled mower before starting the engine. Never stand in front of a self-propelled mower.
8. Never attempt to make a wheel height adjustment while the engine is running.
9. Mow your lawn only in daylight.
10. Never operate your mower in wet or damp grass. Always be sure of your footing — keep a firm hold on the handle and walk, **never run**.
11. Operate the engine at the slowest speed that provides a satisfactory cutting job.
12. Do not put hands or feet near or under any rotating parts—keep well away from the discharge opening at all times.
13. Stop the engine when crossing any drive, walk or road.
14. Should the mower strike a foreign object, stop the engine immediately; remove the wire from the spark plug and thoroughly inspect the mower. Repair any damage **before** restarting and operating the unit.
15. If your mower should start to vibrate abnormally, stop the engine, remove the spark plug wire and check immediately for the cause. Vibration is generally a warning of trouble.
16. Stop the engine whenever you leave the mower. Remove the spark plug wire before cleaning the mower housing, and when making any repairs or inspections.
17. When cleaning, repairing or inspecting your mower make certain the blade and all moving parts have stopped, disconnect the spark plug wire and keep it away from the plug to prevent accidental starting.
18. Because of hazardous exhaust fumes, **never** run the engine indoors, or in a garage.
19. If you are using a grass catcher, stop the engine and wait until the blade comes to a complete stop before removing or attaching the catcher, or unclogging chute.
20. Mow **across** the faces of slopes, never up-and-down. Use extreme caution when changing mowing direction on slopes. Do not mow slopes that are excessively steep.
21. Never operate your mower without the proper guards, plates or other safety devices in place. Do not start the mower unless the safety chute deflector or entire grass bag is in its proper position.
22. Do not run engine at excessive speeds. Do not tamper with engine governor springs, governor links or other parts which may increase the governed engine speed.
23. Check the blade and engine mounting bolts at frequent intervals for proper tightness.
24. Keep all nuts, bolts, and screws tight to be sure the equipment is in safe working condition.
25. Never store the equipment with gasoline in the tank inside a building where fumes may reach an open flame or spark. Allow the engine to cool before storing in any enclosure.
26. To reduce fire hazard, keep the engine free of grass, leaves, or grease.
27. Under normal usage, the grass catcher bag material is subject to deterioration and wear and should be checked frequently. Be sure any replacement bag complies with the manufacturer's specifications.
28. Avoid situations which require you to pull the mower backwards. This will lessen the possibility of stumbling over objects which are not readily seen.
29. Never attempt to unclog a discharge chute with hands or feet.

CUSTOMER'S RESPONSIBILITIES

(include but not limited to)

Always use care when operating the lawnmower. Keep clear of moving parts. Do not work on lawnmower with motor running. Avoid striking or running into solid objects or debris in the area to be mowed. Read and observe the rules for safe operation. Keep the lawnmower clean. Follow a regular maintenance and check schedule to provide efficient and safe operation. A well-cared for lawnmower will last longer and operate more efficiently. Always be careful.

Read this Manual in its entirety before attempting to assemble or operate the lawnmower. The lawnmower has been assembled at the factory with the exception of those parts left unassembled for shipping purposes.

The manufacturer of this mower is not authorized to do engine

warranty repair. If your engine requires expert adjusting and repair service, contact your local factory approved Briggs & Stratton authorized service station, which you will find listed in the classified section of your telephone directory under "Engines - Gasoline".

NOTE: THIS PRODUCT IS EQUIPPED WITH AN INTERNAL COMBUSTION TYPE ENGINE. DO NOT USE UNIT ON OR NEAR ANY UNIMPROVED FOREST - COVERED OR BRUSH - COVERED LAND UNLESS THE EXHAUST SYSTEM IS EQUIPPED WITH A SPARK ARRESTOR MEETING ANY APPLICABLE LOCAL, STATE OR FEDERAL LAWS. A SPARK ARRESTOR, IF IT IS USED, MUST BE MAINTAINED IN EFFECTIVE WORKING ORDER BY THE OPERATOR. SEE YOUR AUTHORIZED SERVICE CENTER OR ENGINE MANUFACTURER'S SERVICE CENTER.

SET - UP INSTRUCTIONS

CAUTION This mower was shipped from our factory without oil in the crankcase. Fill this mower with proper oil prior to starting. Do not mix oil and gas.

Positioning Handle

Lift upper handle upward and forward, being careful not to kink cables.

When upper and lower handles are in line, tighten handle retaining knobs.

Pull handle to rear of mower to lock in mowing position. It may be necessary to squeeze bail control on upper handle to allow engine starter rope to be pulled out of engine as handle is moved to mowing position.

WARNING A damaged control cable can impair the operation of the engine/blade brake. The mower should not be operated in this condition and should be repaired immediately by an authorized service center.

DANGER Blade will turn as you raise handle with bail control held against handle. Keep hands and feet away from blade!

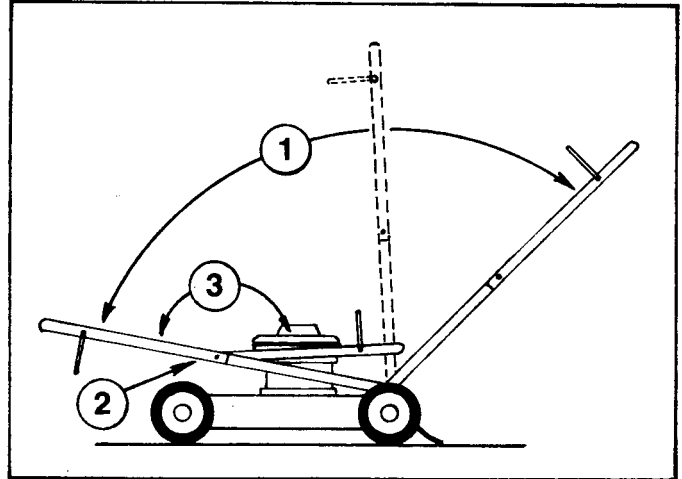
Folding Handle

WARNING Care should be taken when folding and unfolding the handles to insure that the control cables are not damaged. A damaged control cable can impair the operation of the engine/blade brake. The mower should not be operated in this condition, and should be repaired immediately by an authorized service center.

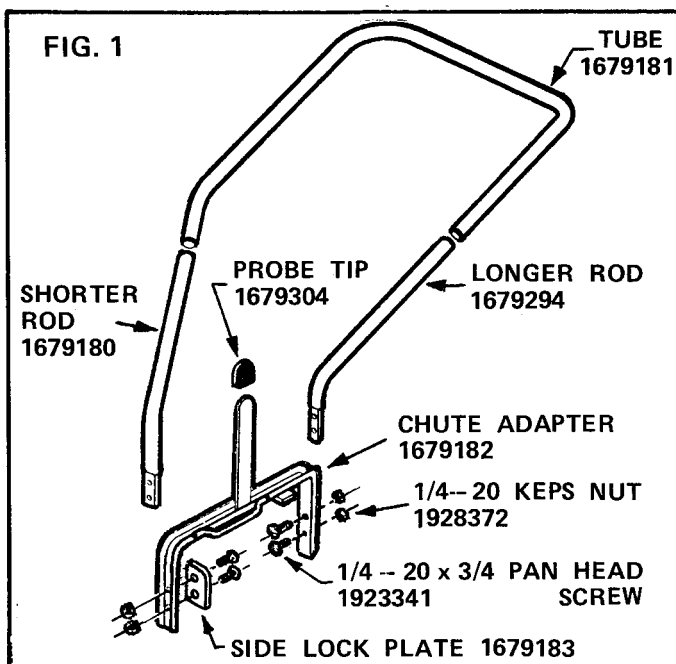
Handle may be folded down over engine for storage.

Push in sides of lower handle to release legs from brackets. Move handle forward over engine. Loosen retaining knobs and carefully fold upper handle rearward over engine.

The handle can also be stored in the straight up position, thereby saving storage space. Squeeze legs of lower handle until handle assembly can be raised to straight up position. To use, pull handle down to operating position, squeezing bail if necessary.



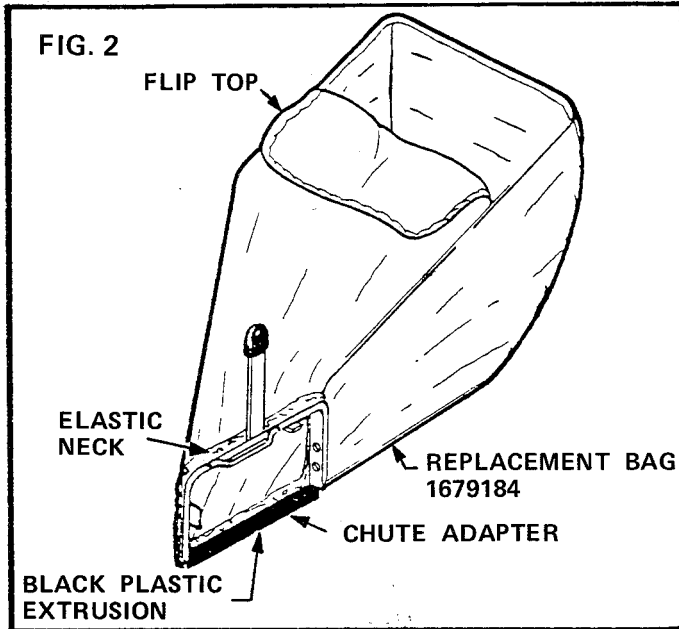
GRASS CATCHER (optional)



ASSEMBLY INSTRUCTIONS

1. The grass catcher must be assembled before use. The carton contains the following: (1) grass catcher bag with tubular frame in hem; (1) chute adapter; (1) hardware bag containing bolts, nuts, plastic tip for probe, muffler deflector, screw, and side lock plate; and (1) instruction sheet.
2. Hold the chute adapter with the probe extending upward and the attachment bracket facing toward you (See Figure 1). Fasten the shorter of the two rods to the left side of the chute adapter with the two bolts and nuts. The rod should point away from you and extend slightly upward to the right. Attach rod to chute by inserting the bolts from the inside of the chute adapter through the side lock plate as shown. Fasten securely with locking nuts (See Figure 2).
3. Attach longer rod to the right side in the same manner. This rod will also extend away from you and upward to the right.
4. Push probe tip onto probe end. Lay chute adapter aside for the present.
5. Unfold bag and lay flat with the flip top up and away from you. The neck opening should be toward you and black plastic extrusion at bottom of neck opening. Reach inside the neck and pull the two tube ends through the neck until they are just exposed.

6. Take the chute adapter which you have just assembled and insert the two rods into the ends of the tubes. The probe on the chute adapter should be upward when you do this. Push the rods into the tubular member as far as possible.



7. Pull the elastic neck of the bag down over the rods and lay into the channel of the chute adapter, leaving the probe on the outside of the bag. The elastic neck will go over the ends of the bolts holding the rods and the black plastic extrusion will fit at the bottom of the chute adapter (See Figure 2).
8. Turn bag around and close the flip top pulling the top over the tubular member at the rear. Make sure the corners are securely down. The flip top is used for emptying the bag.

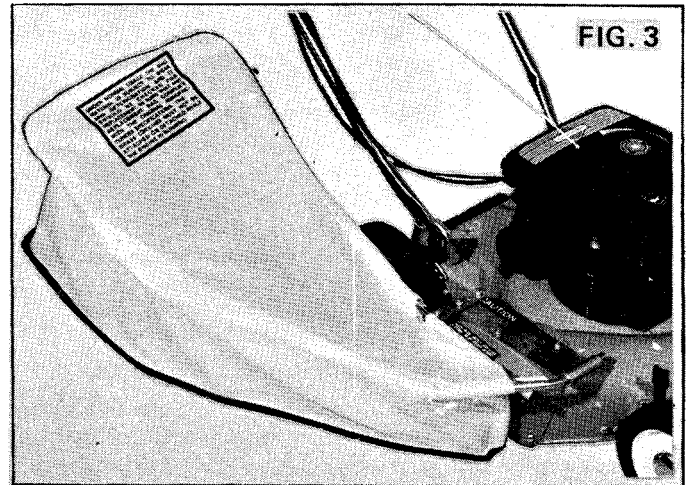
⚠ DANGER Do not attempt to attach or remove grass catcher while engine/blade is turning.

⚠ WARNING Do not operate the mower unless the safety chute deflector or entire grass catcher is in place.

⚠ WARNING Under normal usage grass catcher bag material is subject to deterioration and wear and should be checked frequently. Be sure that any replacement bag complies with manufacturer's specifications.

⚠ WARNING Never use grass catcher without the flip top being securely in place.

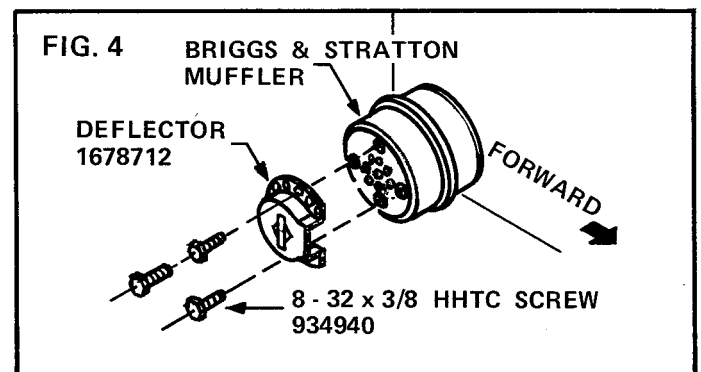
9. To assemble grass catcher to mower, grasp catcher with both hands at the back of the bag. Insert the end of the probe under the chute deflector on the mower and lift the chute deflector. When using the catcher make sure that the side lock plate is inside the grass chute of the mower and that the top lock plate is resting on the top of the mower deck. This assures locking the grass catcher to the mower (See Figure 3).



10. Drop the attachment bracket of the chute adapter over the curled end of the chute extension bracket. Allow the bag to drop into position. If properly positioned, the mouth of the bag should be aligned with the chute opening in the mower.
11. For best efficiency of the grass catcher, mow only dry grass. Wet grass may tend to clog the chute opening.
12. Under normal usage grass bag material is subject to wear and deterioration and should be checked frequently for bag replacement. Replace with our Part No. 1679184 only.

⚠ DANGER Do not install muffler deflector on warm engine. Muffler may be hot and cause severe burns.

Secure the muffler deflector to the muffler with the self-tapping screws provided so that the exhaust will be directed in a forward direction away from bag and operator. (See Fig. 4).



CONTROLS

Spend a few minutes familiarizing yourself with the controls before attempting to operate the mower.

All controls are clearly labeled but a few words of explanation may further clarify their use.

WARNING Your mower throttle control (if so equipped) will no longer stop the engine/blade. It will only act as a means to increase or decrease the engine/blade speed. To stop the mower, release the engine/blade cross bar control from the handle.

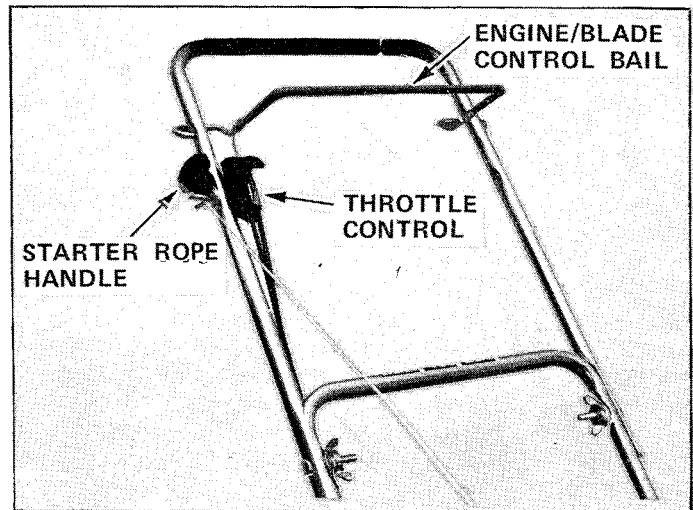
DANGER In the event that your mower will not stop after you have released the cross bar control, move the equipment to a safe area where it can be observed until the fuel runs out. Have the mower immediately inspected and repaired by an authorized manufacturer's service center or engine manufacturer's service center.

DANGER While engine is running, blade is moving.

WARNING The engine/blade controls are adjusted at the factory and no other adjustment should be required. However, a check should be made occasionally to insure that there is slack in the engine cable inner wire when the engine/blade cross bar control is released to its farthest forward position from the handle. If there is no slack, service is required and should only be performed by an authorized service center.

Throttle Control

The throttle control is used to choke engine for starting and to increase and decrease engine speed during mower operation.



Engine/Blade Control Bail

The bail controls the operation of the engine/blade. Bail must be held against handle when starting engine and to keep engine/blade operating while mowing.

Releasing control bail will stop engine/blade.

In the event engine/blade does not stop when control bail is released, move mower to an area where it can be observed until fuel runs out. Have mower immediately inspected and repaired by an authorized Simplicity Dealer.

OPERATION

Engine

Before starting engine, carefully read and follow instructions in engine manufacturer's manual provided.

1. Fill engine crankcase with oil as recommended by engine manufacturer.
2. Fill fuel tank with gasoline grade recommended by engine manufacturer. DO NOT mix oil with gasoline.
3. Open fuel shut-off valve on bottom of fuel tank.

CAUTION The engine speed is pre-set at the factory to 3200 RPM maximum (no load).

WARNING Do not change engine RPM setting.

WARNING Do not mix gasoline with oil.

WARNING Your engine is equipped with a brake system which will stop the engine/blade within three seconds when the engine/blade cross bar control is released. The engine/blade stopping time should be checked regularly to insure that it is within three seconds. If it appears that the

stopping time is more than three seconds, the engine/blade brake should be checked and repaired by an authorized engine service center only.

Starting Engine

Refer to engine manufacturer's manual for engine starting instructions.

1. Move throttle control to "choke" position.
2. While standing in the operating position, squeeze control bail with left hand and grasp starter rope handle with right hand.
3. Pull starter rope rapidly to crank engine.
4. As soon as engine starts, move throttle control to desired speed.

DO NOT PULL STARTER CORD WHILE ENGINE IS RUNNING.

5. To stop engine, release control bail.

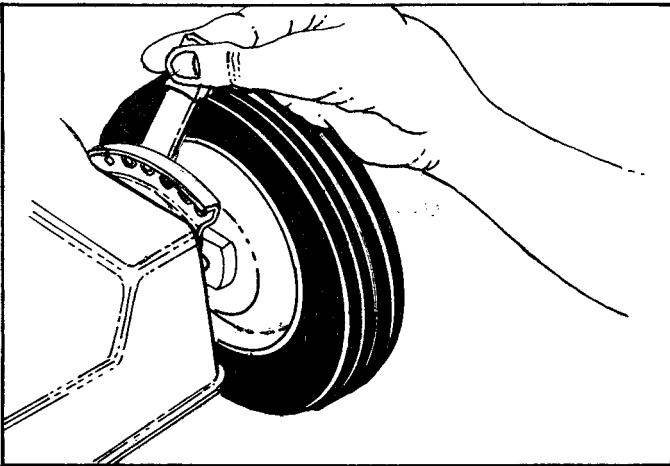
Cutting Height Adjustment

⚠ DANGER Keep hands and fingers from under mower while engine/blade is turning.

⚠ WARNING Do not attempt to make a height of cut adjustment while the engine/blade is turning. Always stop the engine/blade and disconnect the spark plug wire and attach it to the spark plug wire holding tab or post to avoid accidental starting.

Each wheel has a lever operated adjuster for changing cutting height. Five lever positions are available. Cutting heights are approximately 1", 1½", 2", 2½", and 3".

To change height of cut, pull adjusting lever away from mower and move it to desired height adjustment. Release lever to lock it in position. Maintain all levers in same relative position so mower will cut even.

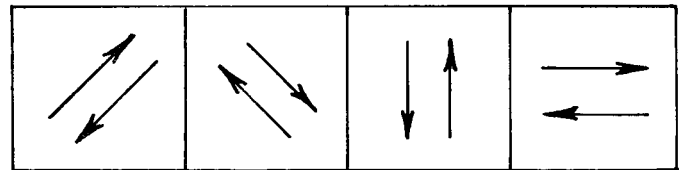


Mowing Tips

Never run engine at a higher speed than necessary. Excessive cutting speed, or tampering with the engine's governor can be dangerous. Operate engine at slowest speed that provides a satisfactory cutting job.

⚠ WARNING Always mow across the face of slopes, hills, or terraces - never up and down. Avoid situations which require you to pull the mower backwards.

1. When grass is lush, select a mowing pattern that will discharge the grass into the area previously cut.
2. In extremely heavy grass conditions, it may be necessary to reduce the width of cut to ¾ or ½ of the normal cutting width by overlapping the cutting row
3. Maintain a sharp cutting edge on the blade. (Refer to the blade sharpening instructions) A dull blade will split or bruise the grass ends, and result in rapid browning of the freshly cut area.
4. When possible, vary your mowing pattern frequently as shown, and try to mow in a different direction each time you cut your lawn. This will eliminate matting, graining and corrugating, and enhance the overall appearance of your lawn.



SUGGESTED MOWING PATTERNS.

5. Never attempt to cut more than one-third of the grass length, particularly when bagging.
6. Never mow grass when it is wet, always wait until it has dried. This will improve the bagging or discharge characteristics of your mower. You will also lessen the danger of slipping on wet grass.

MAINTENANCE

Removing Blade

⚠ WARNING Disconnect the spark plug wire and attach to holding tab or post.

⚠ WARNING Do not operate mower without blade washer in place.

⚠ WARNING Drain all fuel from tank and store in a gasoline container.

⚠ WARNING When replacing blade bolt, be sure to tighten to 45 ft/lb (foot-pounds) torque.

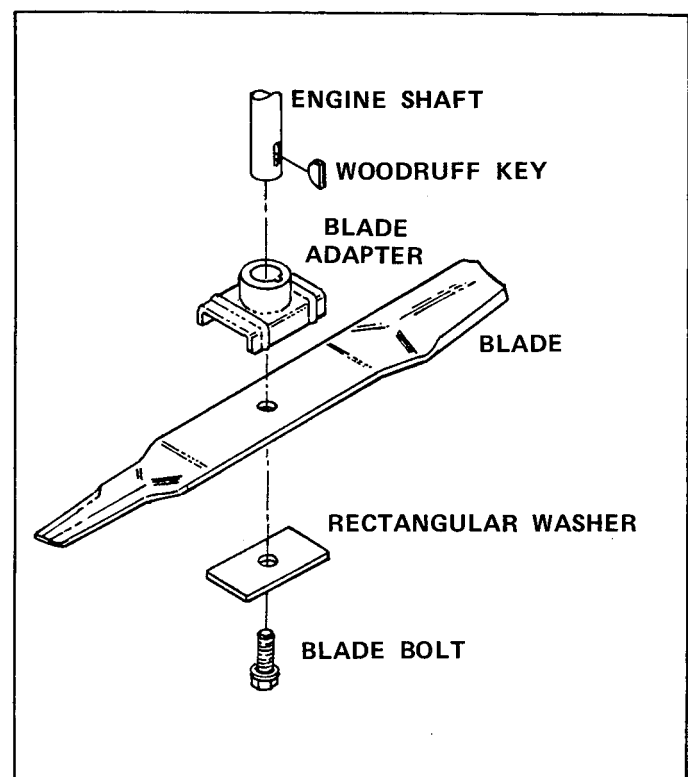
⚠ WARNING Do not touch the cutting edge of the mower blade. It is sharp and can cause a severe injury.

Most new blades are razor sharp and should be handled with extreme care. Used blades may have sharp edges and burrs also. To protect against cuts, wrap end of blade in cloth. A long 9/16" offset box end wrench is the safest and easiest to use for removing blade bolt. Hold padded blade with one hand while loosening bolt with wrench. When bolt is removed entirely blade will come loose.

Sharpening Blade

(See "Removing Blade")

⚠ WARNING Before removing blade, disconnect spark plug wire and attach to holding tab or post.



▲WARNING Always drain fuel from tank and store in a gasoline container.

▲WARNING Always wear safety glasses or wide vision safety mask while sharpening the mower blade.

▲WARNING When replacing blade bolt, be sure to tighten to 45 ft/lb (foot-pounds) torque.

▲WARNING Do not touch the cutting edge of the mower blade. It is sharp and can cause a severe injury.

▲WARNING Use only original equipment blade, blade adapter, blade washer and blade bolt.

Always disconnect spark plug wire before working on the mower! After removal, blade may be sharpened with a file or grinding wheel. Make sure blade is in balance before use. Balance of blade may be determined by balancing blade on sharp edge or hanging on string or wire through center hole.

After sharpening or when replacing with a new blade, inspect blade adapter for damage. If adapter has been removed, be sure woodruff key is in slot in engine shaft and does not slip out as adapter is slid onto engine shaft. Replace blade with rectangular washer and lock washer as shown and tighten blade bolt securely. Recommended torque is 40-45 ft.-lbs.

▲CAUTION **AN UNBALANCED OR BENT BLADE WILL CAUSE VIBRATION DAMAGE NOT COVERED BY WARRANTY.**

Keeping a spare blade on hand will avoid delay when replacement becomes necessary. (See parts list for ordering instructions.)

Cleaning Mower

The underside of mower deck should be cleaned after each use. This will minimize the accumulation of grass and debris. Dead clippings tend to rot, invite rust, and create objectionable odors. To clean underside of mower deck, we recommend:

1. Disconnect spark plug wire and attach to holding tab or post.
2. Drain all fuel from tank.
3. Tip mower on its side with the muffler side up.
4. Use a putty knife to scrape off accumulated grass and debris.
5. A damp rag may be used to wipe down outside of mower.

▲WARNING Always disconnect spark plug wire and attach to holding tab or post.

▲WARNING Always drain fuel from tank and store in a gasoline container.

▲WARNING Do not touch cutting edge of mower blade. It is sharp and can cause severe injury.

STORAGE

For longer life and more trouble free performance, it is recommended that you follow these steps whenever your mower will be stored for a long period of time:

1. Disconnect spark plug wire and attach to holding tab or post.
2. Drain fuel tank completely and store gasoline in an approved container.
3. Reconnect spark plug wire and run engine until any gasoline remaining in carburetor is exhausted.
4. Remove spark plug and pour one ounce of SAE 30 oil into spark plug opening. Then pull starter one full turn to spread oil. Reinstall spark plug, do not reconnect spark plug wire.

5. While engine is still warm, drain oil from crankcase, refill crankcase with fresh oil. Refer to engine manufacturer's operating and maintenance instructions.
6. Clean all dirt and chaff from mower deck, cooling fins and blower housing. Refer to engine manufacturer's operating and maintenance instructions.
7. Check all fasteners for proper tightness.
8. Touch up paint to prevent rust.

▲WARNING Disconnect spark plug wire and attach to holding tab or post.

▲WARNING Do not touch cutting edge of mower blade. It is sharp and can cause a severe injury.

LIMITED WARRANTY

(USA Only)

COVERED BY WARRANTY

Simplicity Manufacturing, Inc., (*Simplicity*), warrants to the original purchaser that each new product listed below is merchantable and free from defects in workmanship and material.

During the warranty period, any authorized *Simplicity* Dealer will provide, at no charge, both parts and labor (except as otherwise noted) necessary to correct any defect in workmanship and material.

WARRANTY PERIOD

The *Simplicity* products listed below are warranted for the stated period from the date of the original purchase.

- (1) Garden tractors, lawn tractors, riding mowers and their implements - 2 years (one year if used for purposes other than personal household use).
- (2) 2 Stage Snowthrowers, Single Stage Snowthrowers and accessories - 2 years (90 days if used for purposes other than personal household use).
- (3) Other Walk-Behind products and accessories - 1 year (90 days if used for purposes other than personal household use).
- (4) 9500 Series liquid-cooled diesel tractors - 2 years on the power train (engine, gears, shafts, torque limiters, bearings, housings, oil-cooled clutches and oil-cooled brakes). 1 year on the balance of the tractor and implements.
- (5) Repair Parts (parts only, no labor) are warranted for 90 days (45 days if used for purposes other than personal household use). (See separate warranty for batteries.)

Repair parts installed on products receive the same warranty period remaining for the product or 90 days (45 days if used for purposes other than personal household use), whichever is longer. (See separate warranty for batteries.)

OWNER RESPONSIBILITIES

To qualify for warranty service, the purchaser of a *Simplicity* product must:

- (1) Have sent the Warranty Registration card to *Simplicity* at the time of purchase.
- (2) Notify a *Simplicity* Dealer as soon as possible after discovery of a possible defect. (If you are not aware of your nearest *Simplicity* dealer, write for such information to Simplicity Manufacturing, Inc., Attn: Service Dept., P.O. Box 210, Port Washington, WI 53074.)

NOT COVERED BY WARRANTY

The following are not covered by warranty:

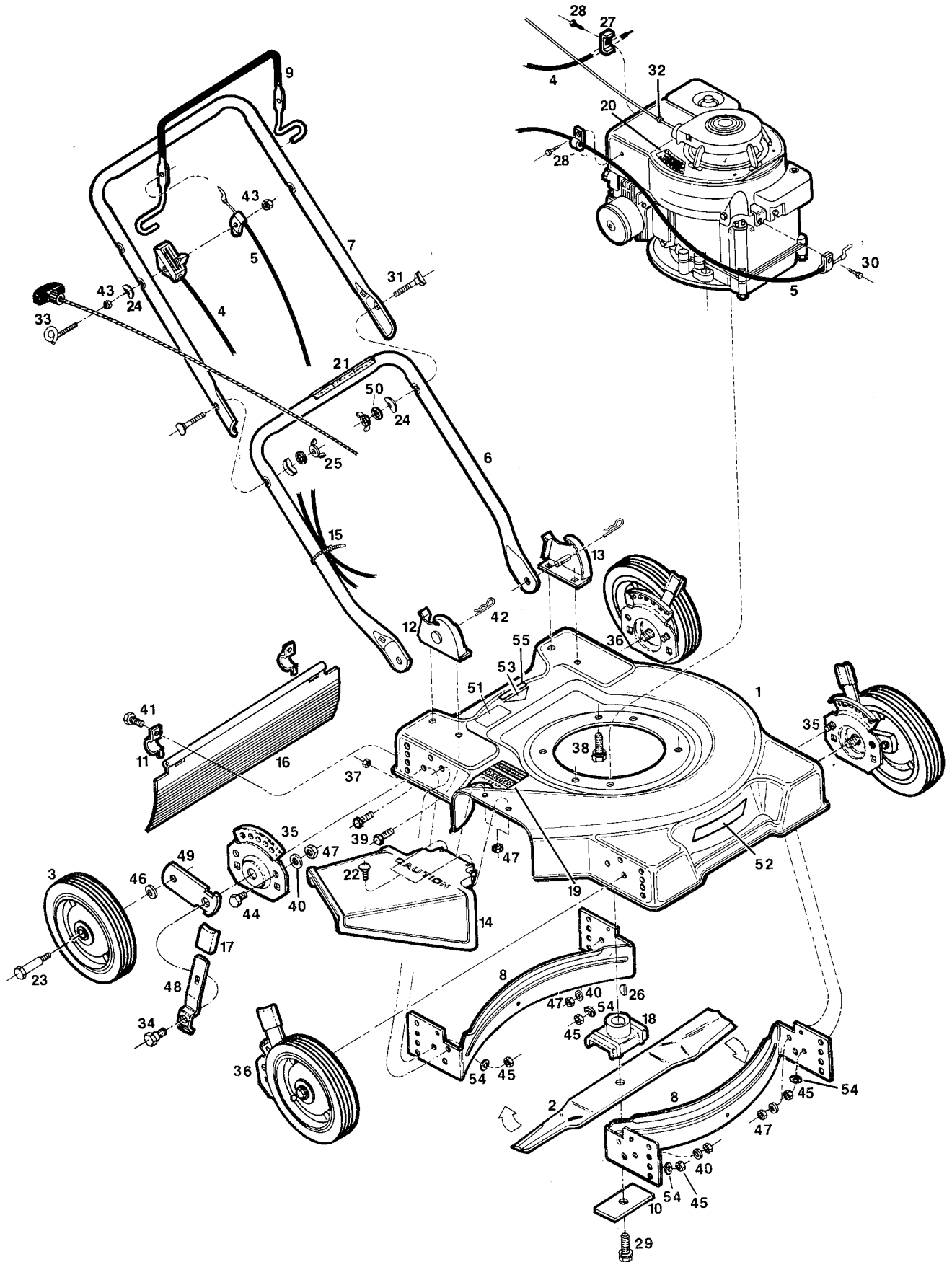
- (1) Transportation charges to and from Dealers: **OR**
- (2) Damage caused by misuse of the product or by operating the product in excess of recommended capacities. **OR**
- (3) Damage caused by negligence or accident: **OR**
- (4) Products which have been altered or repaired in a manner not authorized by *Simplicity*.
- (5) Engines, electric starters and transaxles are warranted separately by their respective manufacturers, except Company agrees to make available to the owners whatever warranty benefits may be made available to the Company by the manufacturers.
- (6) Normal maintenance and/or replacement of maintenance and wear items, such as oil, filters, blades, belts, brake and clutch linings.

ALL IMPLIED WARRANTIES, EXCEPT TO THE EXTENT PROHIBITED BY ANY APPLICABLE LAW, SHALL HAVE NO GREATER DURATION THAN THE WARRANTY PERIOD FOR THE APPLICABLE PRODUCT. SOME STATES DO NOT ALLOW LIMITATIONS ON HOW LONG AN IMPLIED WARRANTY LASTS, SO THE ABOVE LIMITATION MAY NOT APPLY TO YOU.

THE COMPANY'S LIABILITY ARISING OUT OF WARRANTIES, REPRESENTATIONS, INSTRUCTIONS, OR DEFECTS FROM ANY CAUSE, SHALL BE LIMITED EXCLUSIVELY TO REPAIR OR REPLACING PARTS UNDER THE CONDITIONS IN THIS WARRANTY, AND IN NO EVENT WILL COMPANY BE LIABLE FOR INCIDENTAL OR CONSEQUENTIAL DAMAGES. SOME STATES DO NOT ALLOW THE EXCLUSION OR LIMITATION OF INCIDENTAL OR CONSEQUENTIAL DAMAGES, SO THE ABOVE LIMITATIONS OR EXCLUSIONS MAY NOT APPLY TO YOU.

THIS WARRANTY GIVES YOU SPECIFIC LEGAL RIGHTS, AND YOU MAY ALSO HAVE OTHER RIGHTS WHICH VARY FROM STATE TO STATE.

Parts Illustration for Simplicity 1322PS (1691191)



Parts List for Simplicity 1322PS (1691191)

Ref No.	Part No.	Qty.	Description
1	1679122	1	Deck-22"
2	1679123	1	Blade-22"
3	1679124	4	Wheel - 8x1.75
4	1700873	1	Control-Throttle with Cable
5	1677786	1	Cable-Engine/Blade Control
6	1677790	1	Handle-Lower
7	1679126	1	Handle-Upper
8	1679127	2	Baffle-Deck
9	1677798	1	Bail-Engine/Blade Control
10	1677792	1	Washer-Blade
11	1677793	2	Clip-Trailing Shield
12	1677794	1	Bracket-Handle, RH
13	1677795	1	Bracket-Handle, LH
14	1679128	1	Deflector-Discharge Chute
15	1677800	1	Cable Tie
16	1679129	1	Shield-Trailing, 22"
17	1677802	4	Tip-Adjusting Lever
18	1664060	1	Adapter-Blade
19	1677959	1	Decal-Danger
20	1700874	1	Decal-Blade Warning
21	1677963	1	Decal-Starting Instructions
22	1923333	2	Bolt-Carriage 1/4-20 x 5/8
23	1668701	4	Bolt-Wheel See 1319PS
24	1664070	3	Washer-Curved, 5/16
25	918468	2	Wingnut-5/16-18
26	910224	1	Key-Woodruff #6
27	1677808	1	Clamp-Throttle Cable
28	1677805	2	Screw-Self Tap, #10-5/8
29	1700875	1	Bolt-Blade
30	1654998	1	Screw-Hex #10-32 x 3/8
31	1665221	2	Bolt-Curved Head, 5/16-18 x 1-3/4
32	1677809	1	Stop-Rope
33	1677811	1	Eyebolt-Rope Guide
34	1664066	4	Bolt-Shoulder 3/8-16
35	1677813	2	Plate-Adjuster RH Rear, LH Front
36	1677814	2	Plate-Adjuster LH Rear, RH Front
37	933896	2	Nut-Hex #10-24 Nylok
38	1927187	3	Bolt-Hex 3/8-16 x 7/8 Thd. Form
39	1925003	4	Bolt-Self Tap, 1/4-20 x 1/2
40	1917377	4	Washer-Flat 1/4
41	1933737	2	Bolt-Hex #10-24 x 1/2
42	1960074	2	Hitchpin#3
43	1928372	2	Nut-Hex 1/4-20 Keps
44	1923341	4	Bolt-Hex 1/4-20 x 3/4
45	1930651	4	Nut-Hex 3/8-16 Lock
46	1677816	4	Washer-Belleville
47	1923358	6	Nut-Hex 1/4-20 Lock
48	1664080	4	Setting Lever-Height Adjustment
49	1664081	4	Arm-Wheel
50	1923300	2	Washer-Shakeproof 5/16
51		1	Decal-Model Number (Not Serviced)
52	106719	1	Decal-Simplicity, Front
53		1	Decal-OPEI (Not Serviced)
54	919326	4	Washer-Flat 3/8
55		1	Decal-"Meets C.P.S.C. Standards" (Not Serviced)

INSTRUCTIONS FOR ORDERING PARTS...MOWER PARTS can be ordered from any authorized Simplicity dealer. Be sure to specify the part number, not reference number, and the description of each required item-also, the model and serial number of your mower.

Simplicity Manufacturing, Inc.
500 N. Spring Street
P.O. Box 210
Port Washington, WI 53074

Copyright © 1986 Simplicity Manufacturing, Inc.

PRINTED IN U.S.A.