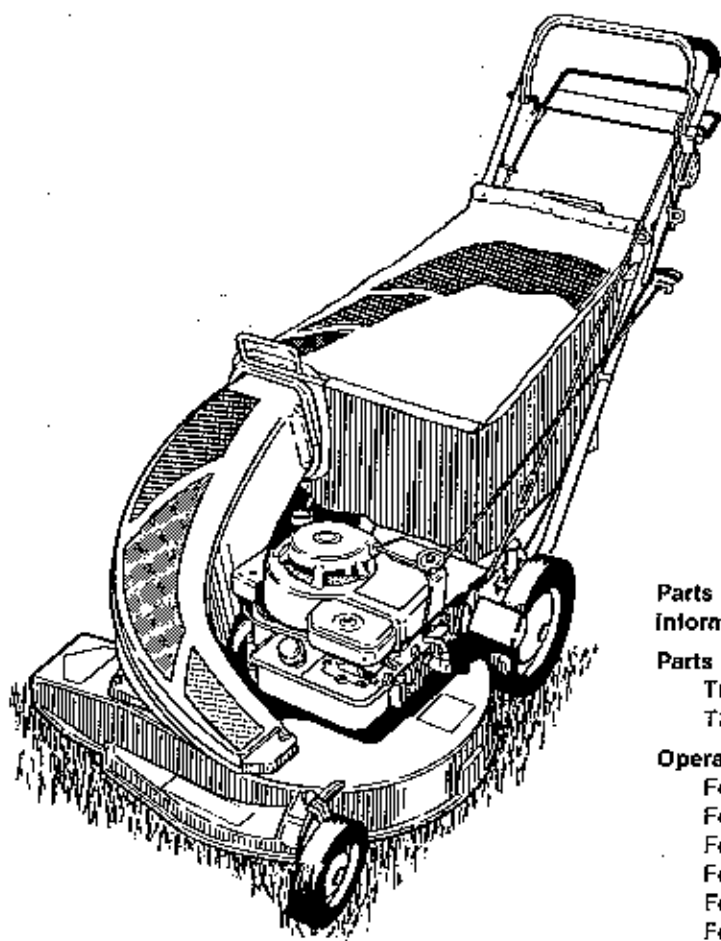


# Parts Manual Walk-Behind Mowers 1979-1988



TP-1130  
PRINTED IN U.S.A.  
9/88

## IMPORTANT NOTE

Parts Manual TP-1130 (8/88) supersedes parts information found in the following manuals:

### Parts Manuals

TP-791

TP-1034-03

Model 1221 Mower

Model 1421 Mower

### Operator's Manuals

Form 1671638

Form 1671639

Form 1674812

Form 1674827

Form 1674954

Form 1675480

Form 1676950

Form 1677742-02

Form 1677743-02

Form 1677744-02

Form 1679179-02

Model 1219 Mower

Model 1321 Mower

Model 1320PS Mower

Model 1322PS Mower

Model 1321PP Mower

Model 1318PSE Mower

Model 1321PPE Mower

Model 1319PS Mower

Model 1321PP Mower

Model 1321PPE Mower

Model 1322PS Mower

# Simplicity®

## Product Identification:

When ordering parts, keep your products serial number and manufacturer's number in mind. Variations may occur in a part between early and later model products, causing the product serial number to be listed in the parts description whenever these variations occur.

Record your I.D. numbers here for quick, future reference.

Product Mfg. No. \_\_\_\_\_ S/N \_\_\_\_\_ Mower Mfg. No. \_\_\_\_\_ S/N \_\_\_\_\_

## Attention:

Standard torques appear in a chart at the end of the manual, while important individual torques are given on specific parts drawings.

CRITICAL and MAJOR notations point out important facts or instructions which relate to personal safety and proper machine operation. Any CRITICAL notation **C** which may appear in this book, pinpoints characteristics which, if not properly followed, can create a safety hazard. Any MAJOR notation **M** which may appear in this book, marks characteristics which, if not properly followed, may result in operating failure, shortened product life, or greatly reduced quality of the unit.

For your convenience, assembly notes are included in parts drawings to assist in repair and assembly of unit.

**NOTE: Specifications may change without notice.**

**SIMPLICITY PRODUCTS FOR THE PROPER CARE OF EQUIPMENT**  
These genuine *Simplicity* products will help the owner extend the life of his equipment.

### OILS - SPECIFICALLY BLENDED OF HIGH QUALITY BASE OILS & ADDITIVES.

**Special Worm Gear (Roticut) Oil** for use in all tillers and snowthrowers with worm gear auger drive. Required for protection of brass gears and mating parts. **Case of 12 Quarts, Part #1685100, Individual Quarts 118065.**

**Multi-Purpose Hydraulic/Transmission Oil** for use in most hydraulic applications, and hydrostatic and gear transmissions. Specific *Simplicity* applications: All hydrostatic transmissions, all bevel gear cases, all Broadmoor, Landlord, Sovereign, 4000, 6000, 7000 transmissions (except Peerless Gear Transmissions). (Not used in SunStar tractor transmission.) **Case of 12 Quarts, Part #1685516, 2½ Gallon Container, Part #1685539.**

**2-Cycle Engine Oil**, a premium lubricant for all 2-cycle air-cooled engines. **Case of 12 Part #1685517.**

**SAE 5W 30 SF/CD Cold Weather Engine Oil** for use in all four cycle and diesel engines at 30° temp. and under. **Case of 12 Quarts, Part # 1685576.**

**SAE 15W40 SF/CD Engine Oil** for gas and diesel engines, warm weather; see engine manufacturer recommendations. **Case of 12 Quarts, Part #1685554.**

**Grease Gun Kit** has 12" flexible hose to get into tight spots with ease. Kit contains: gun and 1-8 oz. tube of grease, **Part #1685510.** For replacement tube, order **Part # 103077.**

**Pneumatic Tire Seal**, seals all leaks including bead leaks and punctures up to 3/16 inch diameters. Prevents flats for tread life of tire. Available in following amounts.

**Case of 12 - 11 Oz. Tubes 1685537**  
**Case of 24 - 11 Oz. Tubes 1685525**  
**5 Gallon Pail 1685527**

**Touch-Up Paint** keeps equipment in showroom condition.

Spray Cans	Quarts	Daubers 12/Ctn.
*Simplicity Orange - 103262 (12 cans/1685179)	1685037	1685520 - Mixed (6 Simp. Orange, 6 White)
**Classic Orange - 1685558 (12 cans/1685559)	1685560	1685562 - Mixed (6 Classic Orange, 6-White)
White 103049 (12 cans/1685178)	1685032	1685562 - Mixed (6-Classic Orange, 6-White) 1685520 - Mixed (6-Simp. Orange, 6-White)
Black - 1685551 (12 Cans/1685552)	N.A.	N.A.

\*For 1977 thru early 1986 products.  
\*\*For products produced after 12/1/85.

**Simplicity Designer Seat Covers** are double stitched, easy care vinyl. Keeps new seats new, makes worn seats look new.

- Small Cover for 4000, 5000,  
& 6100 Tractors **1685540**
- Large Cover for 6200, 7000 &  
9000 Tractors **1685541**
- SunStar Seat Cover **1685577**

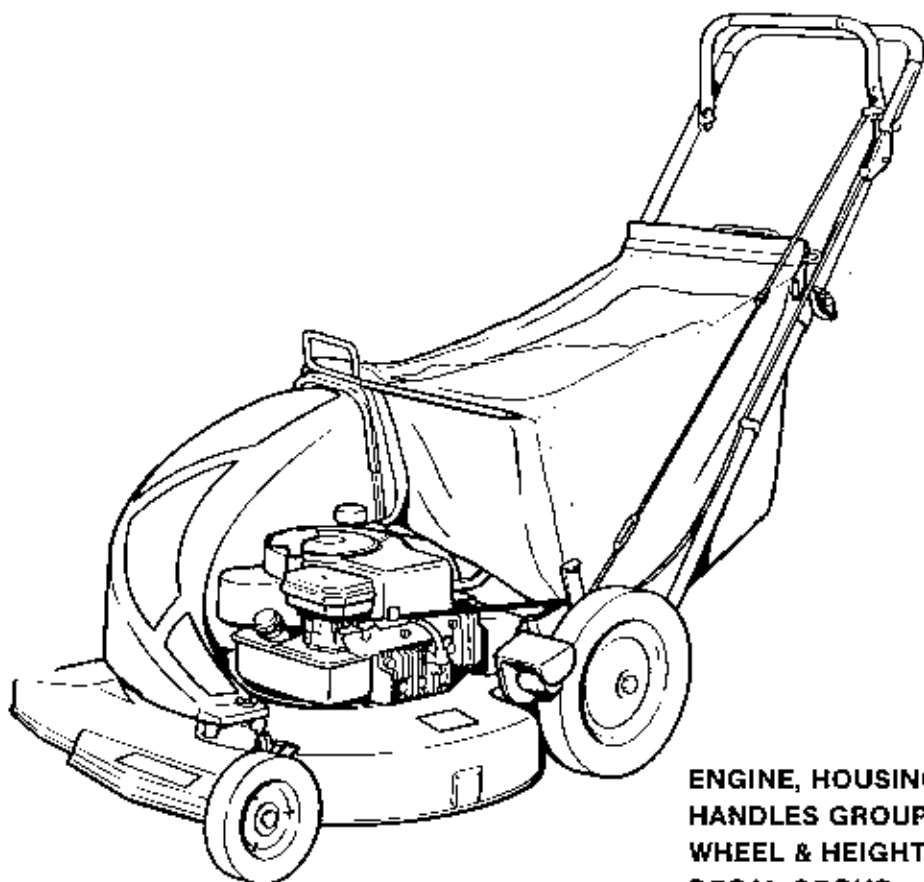
**Extend Equipment Life - Use Only Genuine *Simplicity* Parts**

# Table of Contents

Mfg. No.	Description	Page
1690363	Grass Catcher .....	27
1690511	Model 1221, 21" 4-In-1 Push Mower .....	3
1690512	Model 1221, 21" 4-In-1 Self-Propelled Mower .....	3
1690540	Model 1221, 21" Side Discharge Push Mower .....	3
1690541	Model 1221, 21" Side Discharge Self-Propelled Mower .....	3
1690795	Model 1421, 21" Self-Propelled Mower .....	13
1690796	Model 1319, 19" Push Mower .....	25
1690797	Model 1321, 21" Push Mower .....	29
1690904	Model 1320PS, 3 HP 20" Mower .....	32
1690905	Model 1322PS, 3½ HP, 22" Mower .....	34
1690906	Model 1318PSE, 3 HP, 18" Electric Mower .....	37
1690907	Model 1321PP, 5 HP, 21" Mower .....	41
1690973	Grass Catcher .....	36
1691001	Model 1321PPE, 5 HP, 21" Mower .....	45
1691098	Model 1319PS, 3½ HP, 19" Mower .....	49
1691099	Model 1321PP, 5 HP, 21" Mower .....	53
1691100	Model 1421, 21" Self-Propelled Mower .....	13
1691103	Model 1321PPE, 5 HP, 21" Self-Propelled, Walk-Behind Mower .....	57
1691149	Grass Catcher .....	60
1691191	Model 1322PS, 3½ HP, 22" Walk-Behind Mower .....	61
1691261	Model 1321PP, 5 HP, 21" Mower .....	53
1691262	Model 1321PPE, 5 HP, 21" Mower .....	57



# Parts Manual Model 1221



## Table of Contents

ENGINE, HOUSING & SHROUD GROUP .....	4
HANDLES GROUP .....	8
WHEEL & HEIGHT ADJUSTERS GROUP .....	10
DECAL GROUP .....	12

21" 4-IN-1 PUSH MOWER  
MFG. NO. 1690511

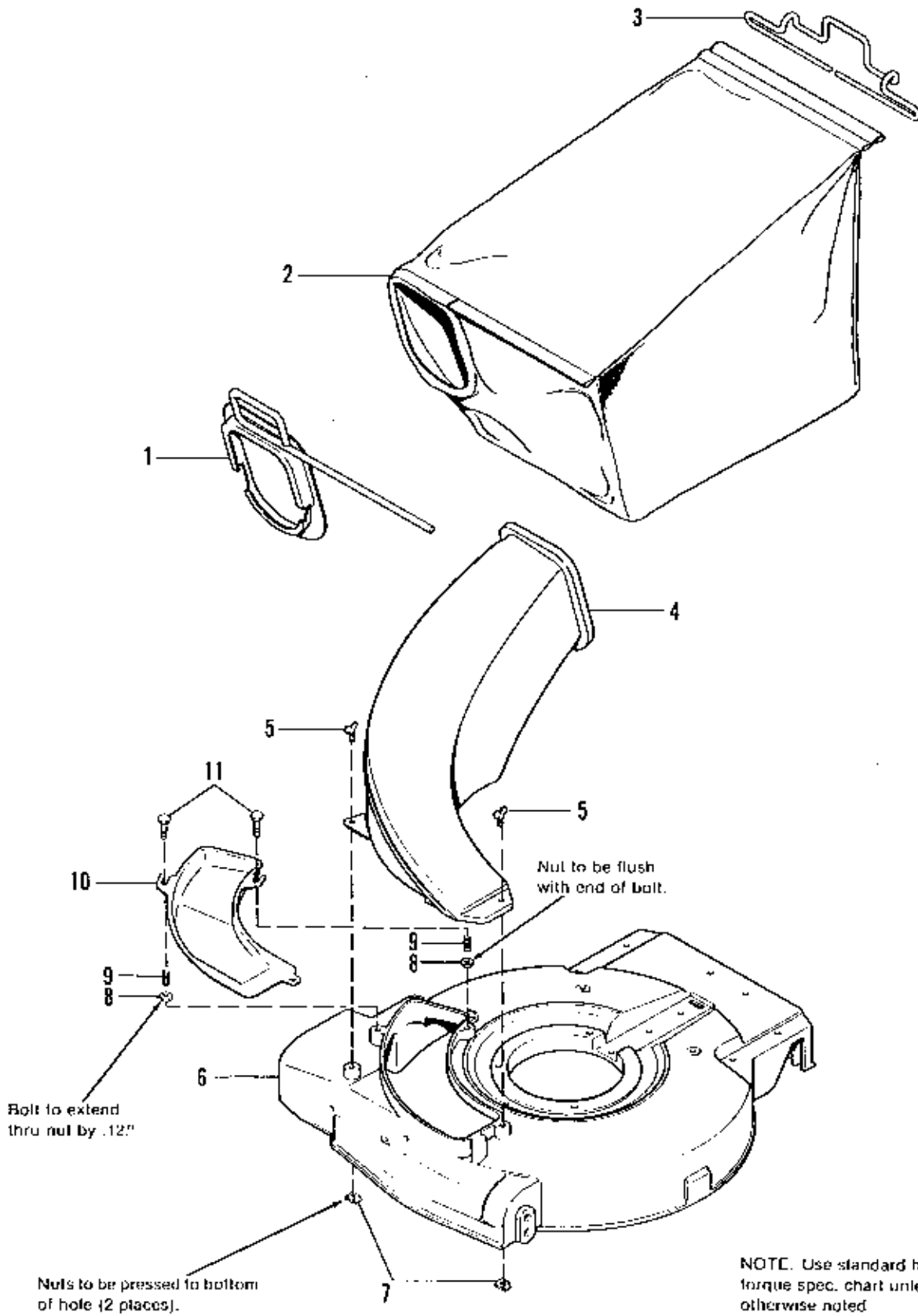
21" 4-IN-1 S.P. MOWER  
MFG. NO. 1690512

21" SIDE DISCHARGE PUSH MOWER  
MFG. NO. 1690540

21" SIDE DISCHARGE S.P. MOWER  
MFG. NO. 1690541

1P - 791  
PRINTED IN U.S.A.  
7911

# **Simplicity**



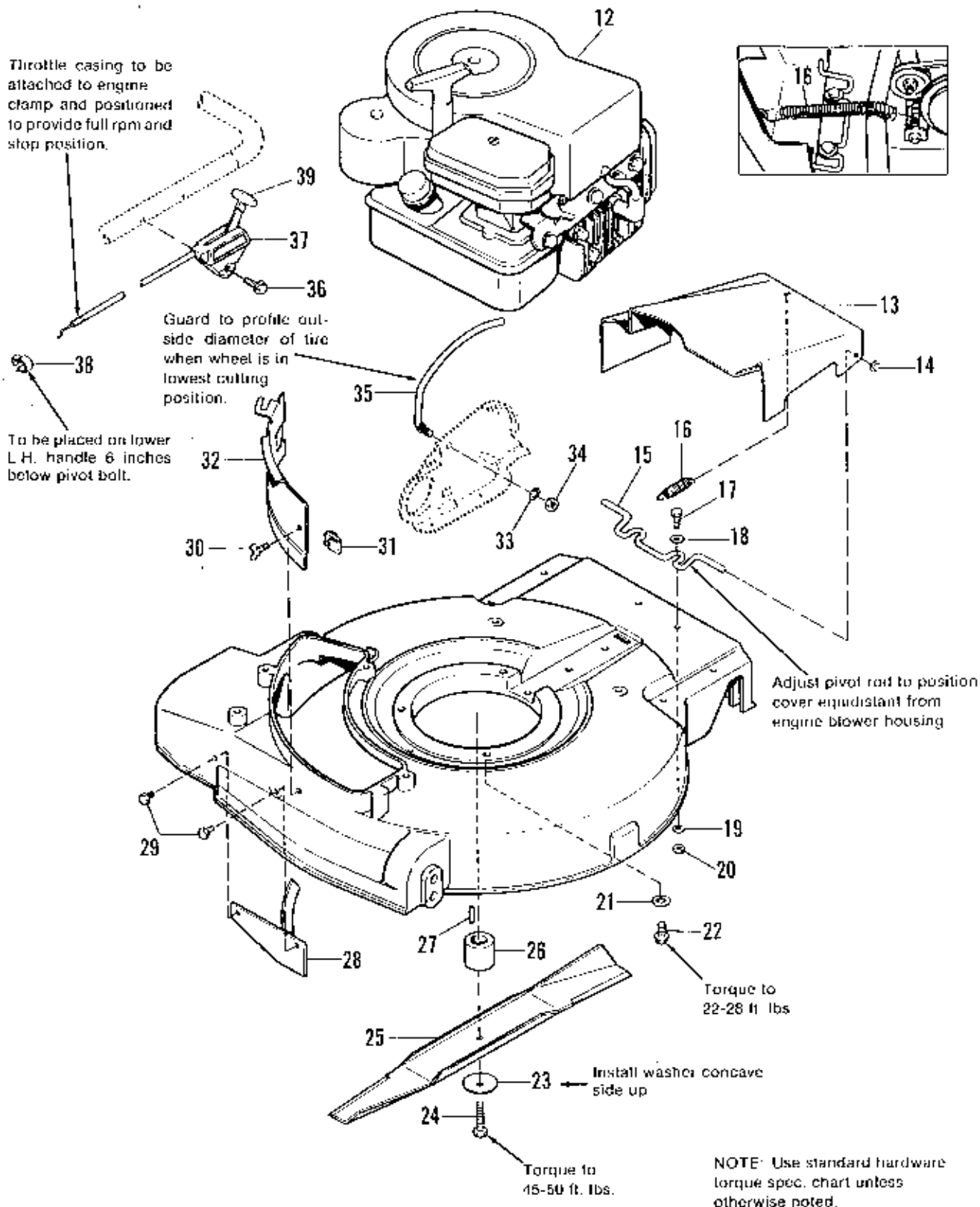
NOTE. Use standard hardware torque spec. chart unless otherwise noted

Ref. No.	Part No.	Qty.	Description
1	1666587	1	COLLAR ASSY.
**2	1666605	1	BAG, Grass
**3	1657152	1	SUPPORT, Bag, Rear
**4	1667082	1	CHUTE ASSY., Grass
5	935023	2	SCREW, Thumb, 1/4-20 x 5/8
*6	1685159	1	REPLACEMENT KIT, 21" Mower Deck
7	917867	2	NUT, Tinnerman, 1/4-20
8	923358	2	LOCKNUT, Hex, 1/4-20
9	171651	2	SPRING
10	171645	1	PLATE, Cover
11	172429	1	SCREW, Special

\*Reference No. 6 includes Reference Nos. 5, 28, 29, 31 & 32.

\*\*Reference Nos. 2, 3 & 4 used on Rear Bagging Mowers only, Mfg. No. 1690511 & 1690512.

NOTE: Reference No. 13 thru 38 are continued on the following page.





Ref. No.	Part No.	Qty.	Description
12		1	ENGINE, 3.5 W/PTO (Mfg. No. 1690512 & 541)
		1	ENGINE, 3.5 (Mfg. No. 1690511 & 540)
13	1666957	1	COVER, Belt
14	1667059	2	NUT, Pal
15	1666986	1	HINGE
16	121037	1	SPRING
17	930607	2	CAPSCREW, Hex Hd., 1/4-20 x 3/4
18	916955	2	WASHER, Plain, 3/16
19	916964	2	LOCKWASHER, 1/4
20	916622	2	NUT, Hex, Full, 1/4-20
21	920427	3	LOCKWASHER, Int. Tooth, 3/8
22	927187	3	SCREW, Taptite, 3/8-16 x 1
23	1663151	1	WASHER, Spring
24	922128	1	CAPSCREW, Hex Hd., 3/8-24 x 1-1/2
25	1663150	1	BLADE, 21"
26	1663149	1	ADAPTOR, Blade
27	910224	1	KEY, Woodruff, #6
28	1666981	1	STONE GUARD ASSY.
29	925003	2	SCREW, Taptite, 1/4-20 x 1/2 (Mfg. No. 1690512)
**30	935023	1	SCREW, Thumb, 1/4-20 x 5/8
**31	926705	2	NUT, Speed
**32	171644	1	BAFFLE (Mfg. No. 1690511 & 512)
**33	917356	1	LOCKWASHER, 5/16 (Mfg. No. 1690511 & 512)
**34	917372	1	NUT, Hex, Full, 5/16-18
**35	1666988	1	GUARD, Bag (Mfg. No. 1690511 & 512)
36	929783	1	SCREW, Taptite, 1/4-20 x 1
37	1666581	1	CONTROL, Throttle
38	108812	1	CLAMP, Spring
39	1656099	1	KNOB

NOTE: Reference No. 1 thru 12 are on preceding page.

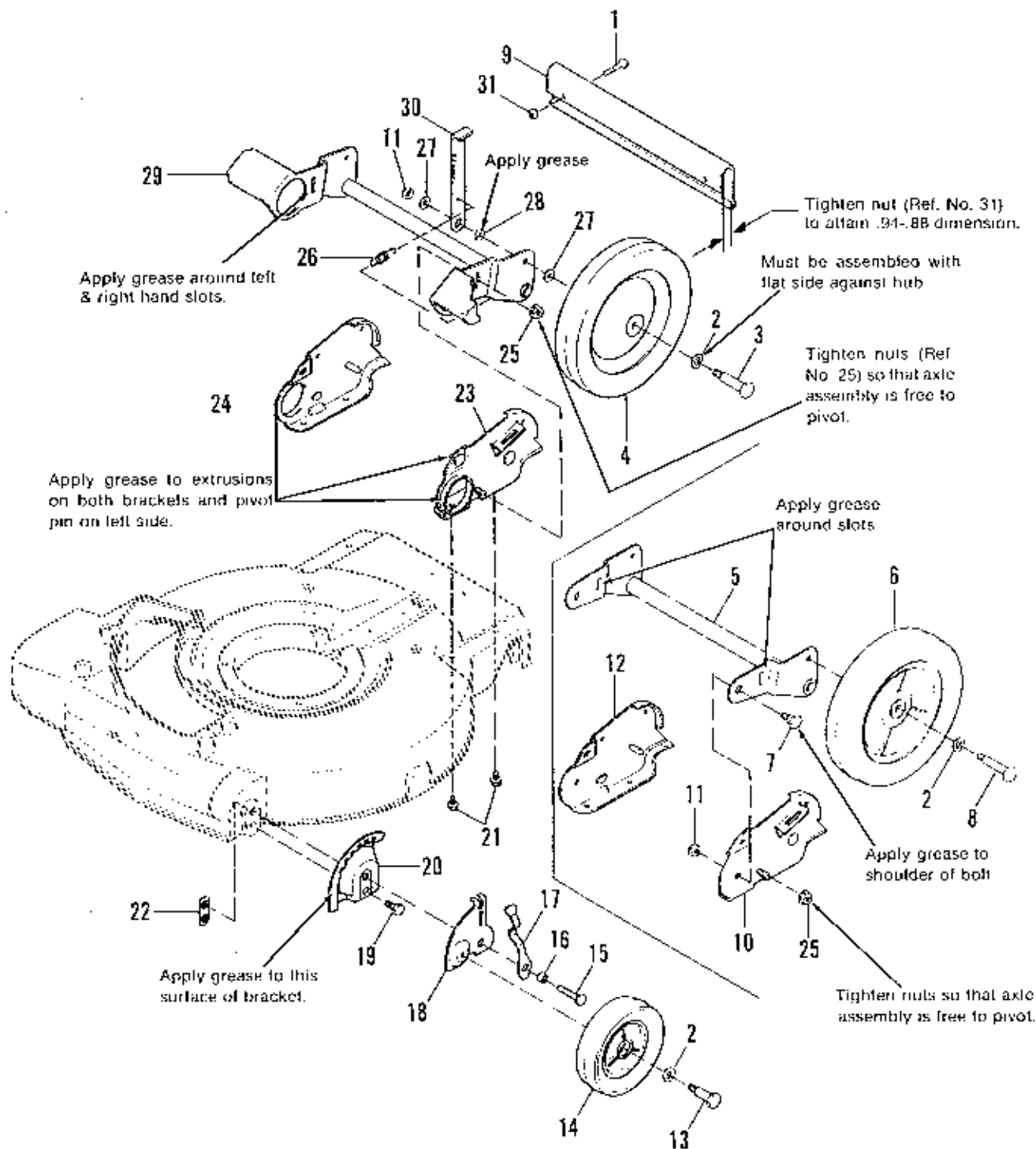
\*\*Reference Nos. 30 thru 35 are used on Rear Bagging Mower,  
Mfg. No. 1690511 & 1690512.



Ref. No.	Part No.	Qty.	Description
1	1666795	1	HANDLE ASSY., Engaging
2	928698	2	LOCKNUT, Hex, Jam, 5/16-18
**3	1666383	1	HANDLE, Upper
4	108734	2	BOLT, Shoulder
**5	1657535	2	EYELET
**6	917377	4	WASHER, Plain, 1/4
**7	108848	2	WINGNUT
**8	923362	2	LOCKNUT, Hex, Full, 5/16-18
9	1666592	1	ROD, Clutch, Upper
10	928704	1	NUT, L.H., Hex, Full, #10-24
11	108775	1	TURNBUCKLE
12	916621	1	NUT, R.H., Hex, Full, #10-24
13	108669	1	ROD, Engaging, Lower
14	917356	1	LOCKWASHER, 5/16
15	917372	1	NUT, Hex, Full, 5/16-18
16	918447	1	PIN, Cotter, 3/32 x 3/4
17	928734	5	SETSCREW, 5/16-18 x 1/4
18	108664	2	DRIVER, Wheel
19		2	RETAINER, Plastic (See Ref. No. 22)
20	108696	4	SEAL, Grease
21	108654	2	BEARING, Needle
*22	108667	2	BEARING & RETAINER ASSY.
23	8301042	2	COLLAR, Set
24	1657180	1	PULLEY, Drive
25	108729	1	SPRING, idler
26	930642	1	LOCKNUT, Flange, 1/4-20
27	108730	2	PULLEY ASSY.
28	1657175	1	LEVER
29	108693	1	U-BOLT
30	929000	2	SCREW, Taptite, 1/4-20 x 3/8
31	921958	1	CAPSCREW, Hex, 1/4-20 x 1/2
32	1657181	1	COVER, Pulley
33	1657515	1	PULLEY, Engine
34	905121	1	KEY, Woodruff, #5
35	929783	1	SCREW, Taptite, 1/4-20 x 1
36	1657284	1	BELT
37	156150	1	SPACER
38	106772	1	SCREW, Special, 5/16-18 x 1
**39	918196	2	CLIP, Spring
**40	1666382	1	HANDLE, Lower
41	1665221	2	BOLT, Curved Hd.
42	108757	1	STOP, Handle
43	929001	1	LOCKNUT, Hex, Flange, 5/16-18
44	928734	1	SETSCREW, 5/16-18 x 1
45	1667502	1	BRACKET, Idler Support
46	917867	1	NUT, Tinnerman, 1/4-20
47	108698	1	RING, Retaining
48	108666	1	SHAFT, Driver
49	1657259	1	BELLCRANK ASSY.
50	916964	1	LOCKWASHER, 1/4

\*Reference No. 22 includes Reference Nos. 19, 20 & 21.

\*\*Mfg. No. 1690511 & 1690512 only use Reference Nos. 3, 5, 6, 7, 8, 39 & 40.

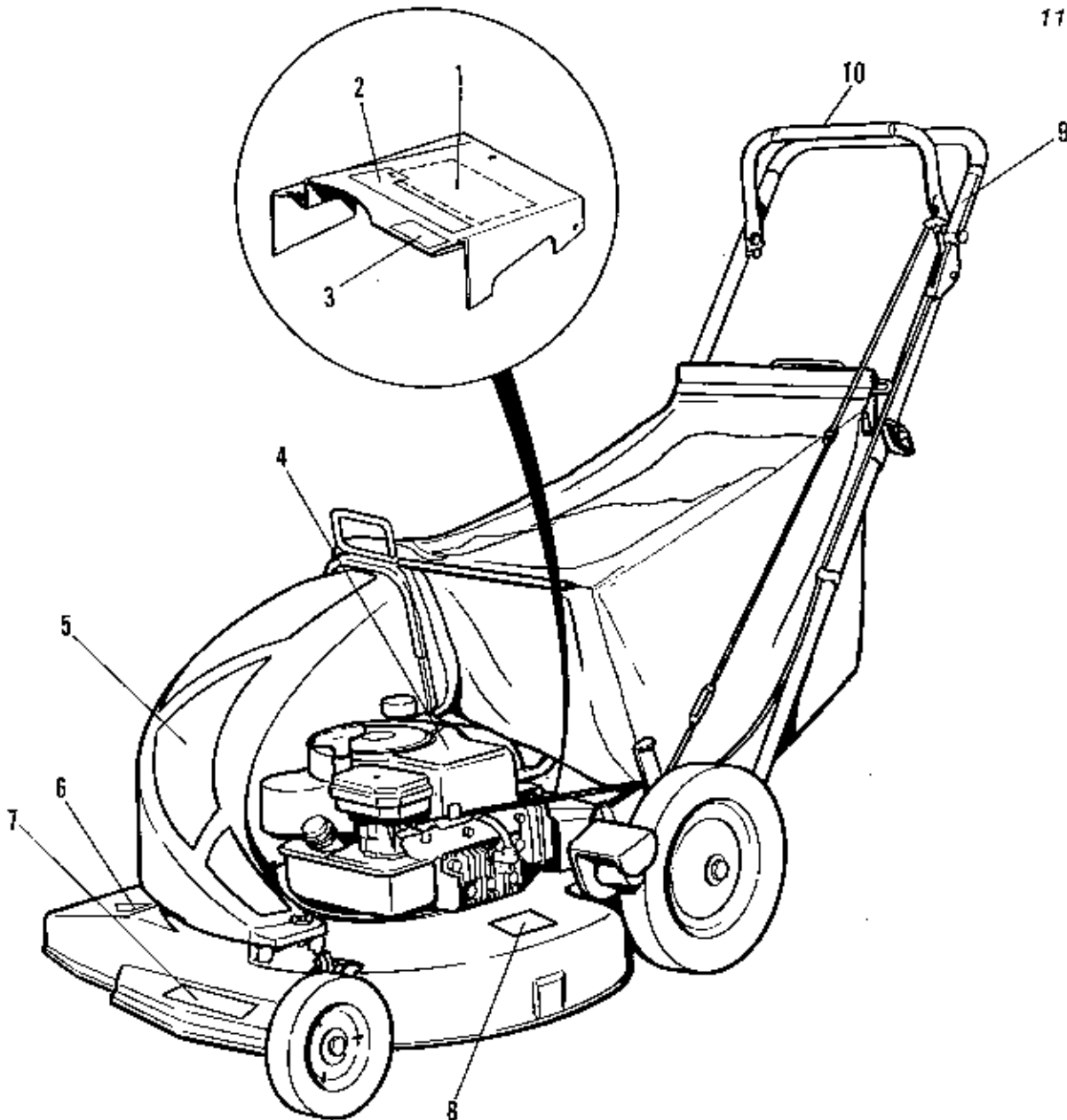


Ref. No.	Part No.	Qty.	Description
1	933738	2	CAPSCREW, Hex Hd., #10-24 x 1-1/2
**2	170157	4	WASHER, Special
**3	108765	2	BOLT, Wheel
**4	108701	2	WHEEL, 10"
'5	1666951	1	PLATE & TUBE ASSY.
'6	1666893	2	WHEEL, 10"
'7	108766	2	BOLT, Shoulder
'8	170135	2	BOLT, Wheel
9	1666187	1	SHIELD, Trailing
'10	1666389	1	BRACKET ASSY., L.H.
***11	930651	4	LOCKNUT, Hex, Full, 3/8-16
**12	1666390	1	BRACKET ASSY., R.H.
13	108764	2	BOLT, Front Wheel
14	1666806	2	WHEEL, 6" Front
15	108418	2	SCREW, Special, 3/8-16 x 1-3/4
16	1666804	2	SPACER
17	108641	2	SPRING, Height Adjustment
18	108639	2	ADJUSTER, Height Front
19	921965	2	CAPSCREW, Hex, 3/8-16 x 3/4
20	108640	2	PLATE, Adjuster
21	929000	4	SCREW, Taplute, 1/4-20 x 3/8
22	108697	2	NUT, Pilot, Twin
**23	1663587	1	BRACKET ASSY., L.H.
**24	1663586	1	BRACKET ASSY., R.H.
**25	929001	4	LOCKNUT, Hex, Flange, 5/16-18
**26	170264	1	SPRING
**27	917642	3	WASHER, Plain, 5/16
**28	105184	1	SPACER
**29	1666948	1	PLATE & TUBE ASSY.
**30	1666608	1	ADJUSTER, Height, Rear
31	933896	2	LOCKNUT, Hex, Nylon, #10-24

\*Used only on Push Mowers, Mfg. No. 1690511 & 1690540

\*\*Used only on Self-Propelled Mowers, Mfg. no. 1690512 & 1690541

\*\*\*Qty. 2 used on Mfg. No. 1690512 & 1690541

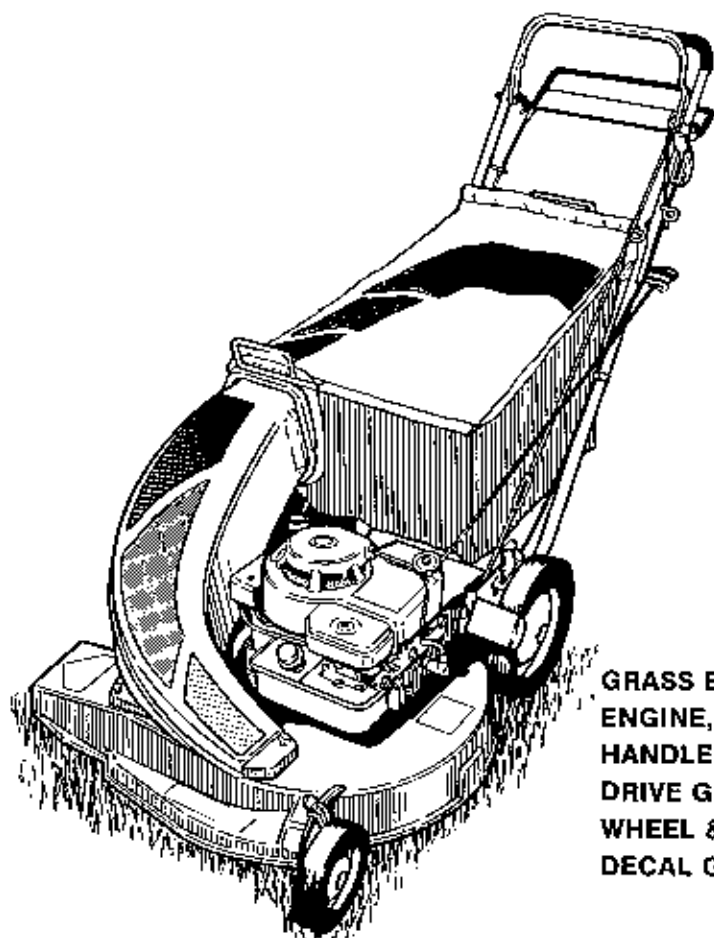


Ref. No.	Part No.	Qty.	Description
*1	1657638	1	DECAL, Speed Range
2	1667017	1	DECAL, Simplicity, 1221
3	1667140	1	DECAL, Hot Surface
4	1667008	1	DECAL, Engine Shroud
**5	1667015	1	DECAL, Stripe, Chute
6	1667016	1	DECAL, Danger
7	106719	1	DECAL, Simplicity
8	1608220	1	DECAL, Caution
*9	1608221	1	DECAL, Handle
*10	1658043	1	DECAL, Control

\*Used on Mfg. No. 1690512 & 1690541.

\*\*Used on Mfg. No. 1690511 & 1690540.

# Parts Manual Model 1421 Walk-Behind Mower



## Table of Contents

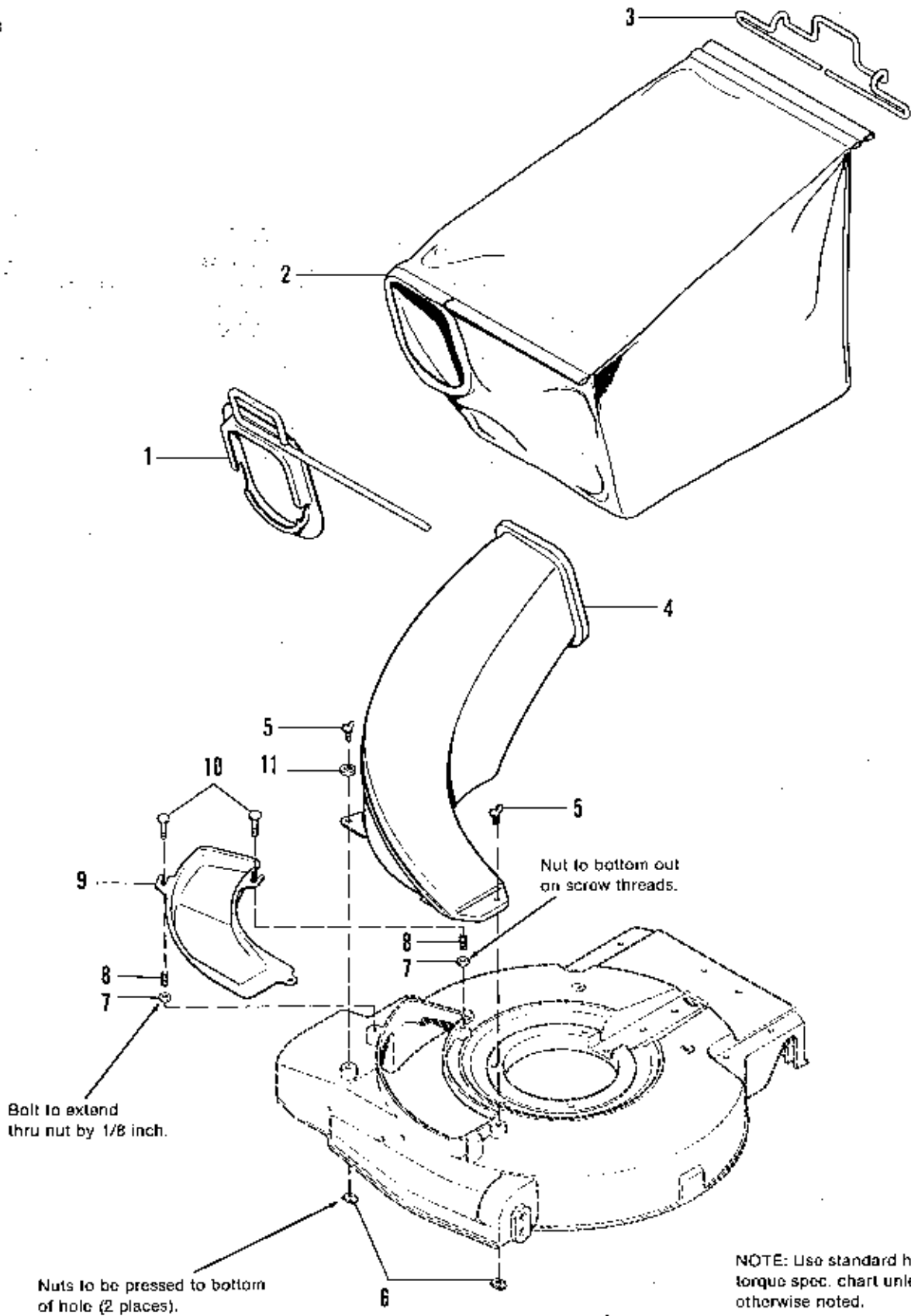
GRASS BAG & CHUTE GROUP .....	14
ENGINE, HOUSING & SHROUD GROUP .....	16
HANDLE & DRIVE GROUP .....	18
DRIVE GROUP .....	20
WHEEL & HEIGHT ADJUSTERS GROUP .....	22
DECAL GROUP .....	24

TP - 1034-02  
PRINTED IN U.S.A.  
844

21" SELF-PROPELLED MOWER  
MFG. NO. 1690795  
MFG. NO. 1691100

# *Simplicity*®

A-293

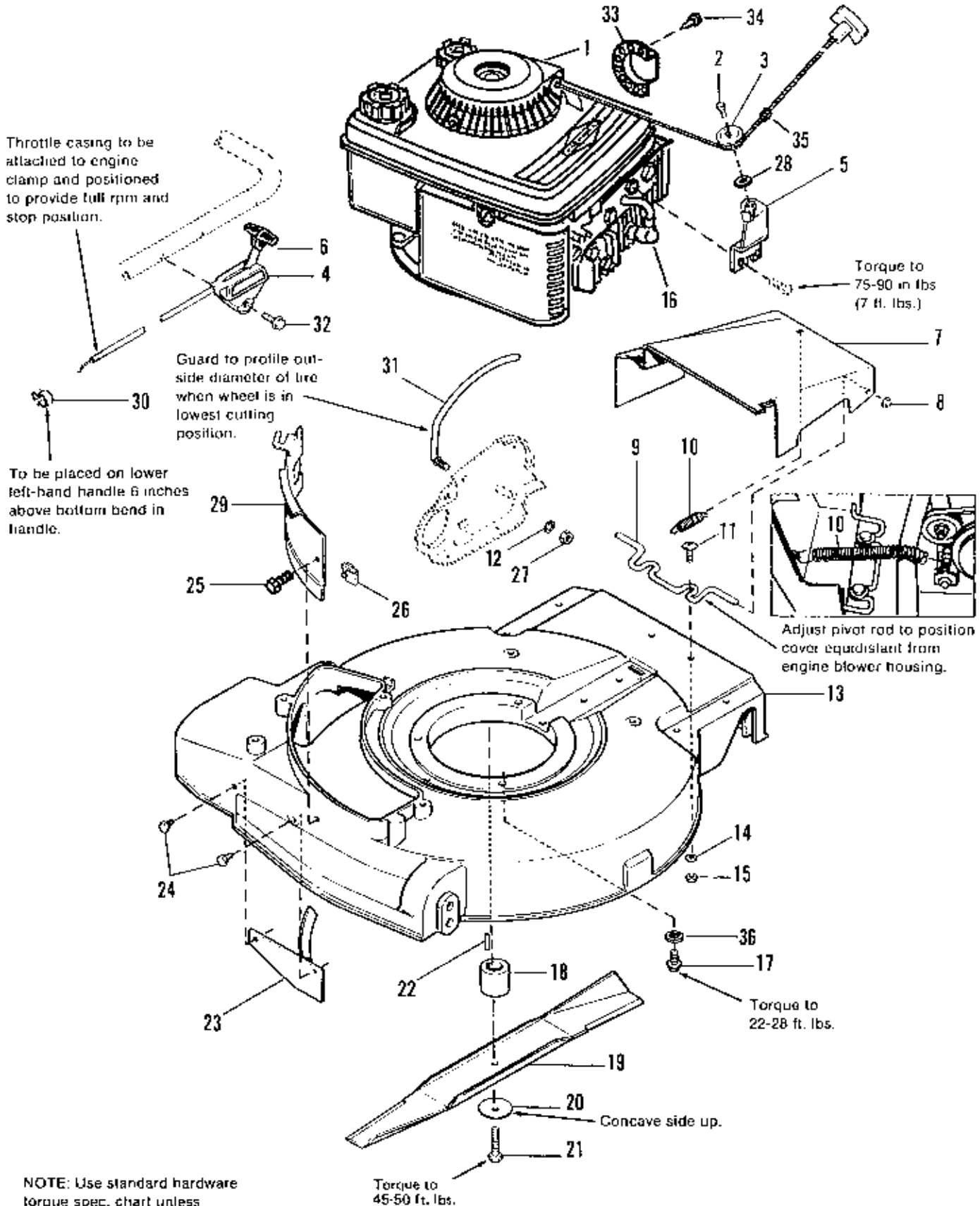




## Grass Bag &amp; Chute Group

---

Ref. No.	Part No.	Qty.	Description
1	1666587	1	COLLAR ASSY.
2	1666605	1	BAG, Grass
3	1657152	1	SUPPORT, Bag Rear
4	1667082	1	CHUTE ASSY., Grass (use on 1690795)
4	1677922	1	CHUTE ASSY., Grass (use on 1691100)
5	1921959	2	SCREW, Hex Head, 1/4-20x5/8
6	917867	2	NUT, Tinnerman, 1/4-20
7	923358	2	LOCKNUT, Hex 1/4-20
8	171651	2	SPRING
9	171645	1	PLATE, Cover
10	172429	2	SCREW, 1/4-20 x 1
11	1917377	2	WASHER, Plain, 1/4

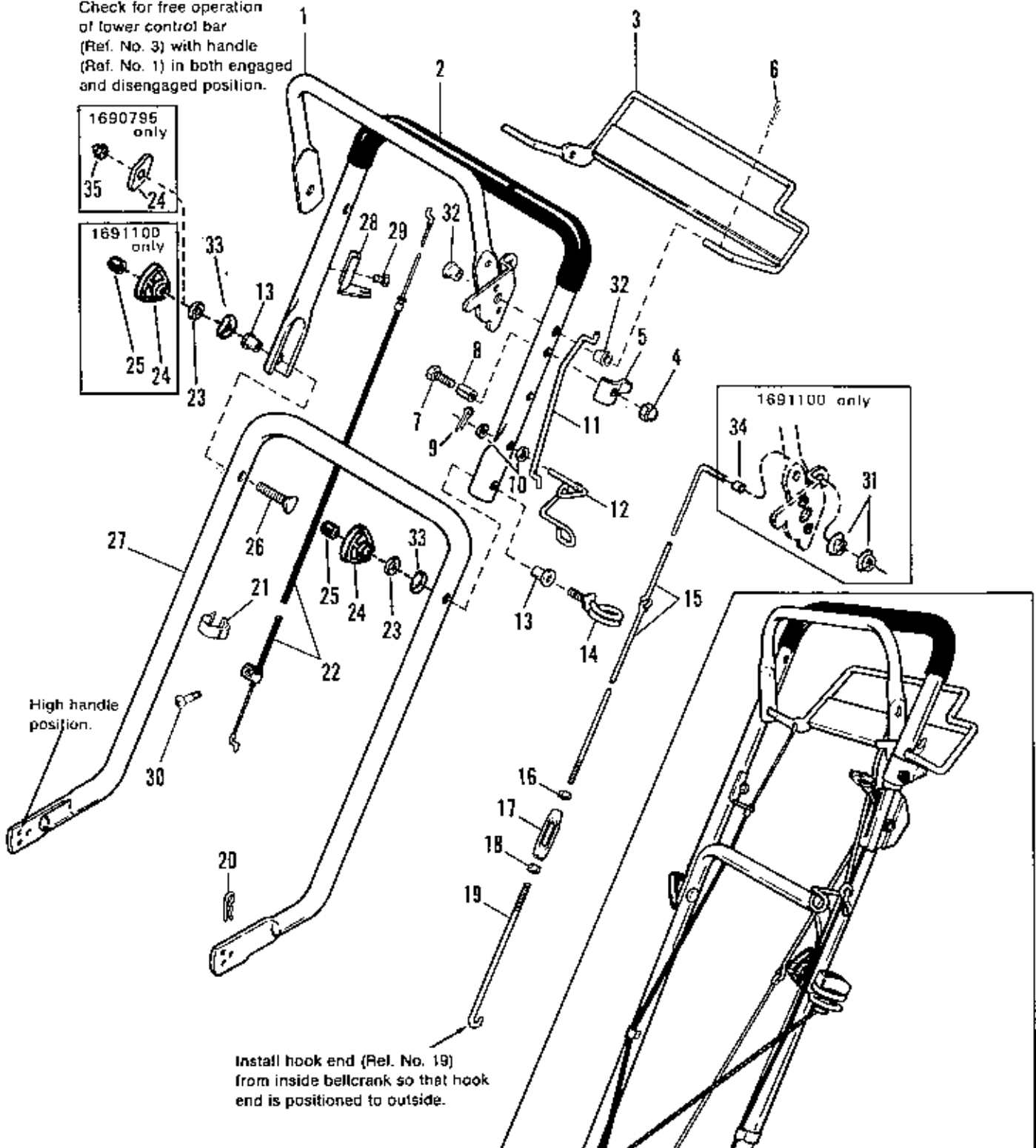


Ref. No.	Part No.	Qty.	Description
1		1	ENGINE, 3.5 HP (For Mfg. No. 1690795)
1		1	ENGINE, 4.0 HP (For Mfg. No. 1691100)
2	929783	1	SCREW, Taplite
3	108730	1	PULLEY ASSY.
4	1678794	1	CONTROL, Throttle (1691100 only)
4	1666581	1	CONTROL, Throttle (1690795 only)
5	1672110	1	SUPPORT, Pulley
6	1656099	1	KNOB-Throttle
7	1666957	1	COVER, Belt (For Mfg. No. 1690795)
7	1678761	1	COVER, Belt (For Mfg. No. 1691100)
8	1667059	2	NUT, Pal, 3/16
9	1666986	1	HINGE
10	121037	1	SPRING
11	935945	2	SCREW, Truss Hd. Phillips, 1/4-20 x 3/4
12	917356	1	LOCKWASHER, 5/16
*13	1685224	1	REPLACEMENT KIT, 21" Mower Deck
14	916964	2	LOCKWASHER, 1/4
15	916622	2	NUT, Hex, Full, 1/4-20
16	1678060	1	COVER, Spark Plug (1691100 only)
17	927187	3	SCREW, Hex 3/8-16 x 7/8 TD FM
18	1663149	1	ADAPTOR, Blade
19	1663150	1	BLADE, 21"
20	1663151	1	WASHER, Spring
21	922128	1	CAPSCREW, Hex Hd., 3/8-24 x 1-1/2
22	910224	1	KEY, Woodruff, #6
23	1666981	1	STONE GUARD ASSY.
24	925003	2	SCREW, Taplite, 1/4-20 x 1/2
25	1921959	1	SCREW, Hex Head 1/4-20 x 5/8 (1691100 only)
25	935023	1	SCREW, Thumb 1/4-20x5/8 (1690795 only)
26	928705	1	NUT, Speed 1/4-20
27	1927557	1	NUT, Hex, 5/16-18 Lock
28	916955	1	WASHER, Flat, 5/16
29	171644	1	BAFFLE
30	108812	1	CLAMP, Spring
31	1666968	1	GUARD, Bag
32	929783	1	SCREW, Taplite, 1/4-20 x 1
33	1678712	1	DEFLECTOR, Muffler (1691100 only)
34	934940	3	SCREW, Deflector, #8-32 x 3/8 (1691100 only)
35	1677809	1	ROPE STOP (1691100 only)
36	920427	3	LOCKWASHER, Int. Tooth (1690795 only)

\*NOTE: Ref. No. 13 includes Ref. Nos. 23, 24, 25, 26 & 29 & Ref. No. 6 on Page 2 and Ref. Nos. 2 and 8 on Page 12.

Note: Use standard hardware torque spec. chart unless otherwise noted.

**C** All control linkages must pivot and operate freely without any resistance. Check for free operation of lower control bar (Ref. No. 3) with handle (Ref. No. 1) in both engaged and disengaged position.

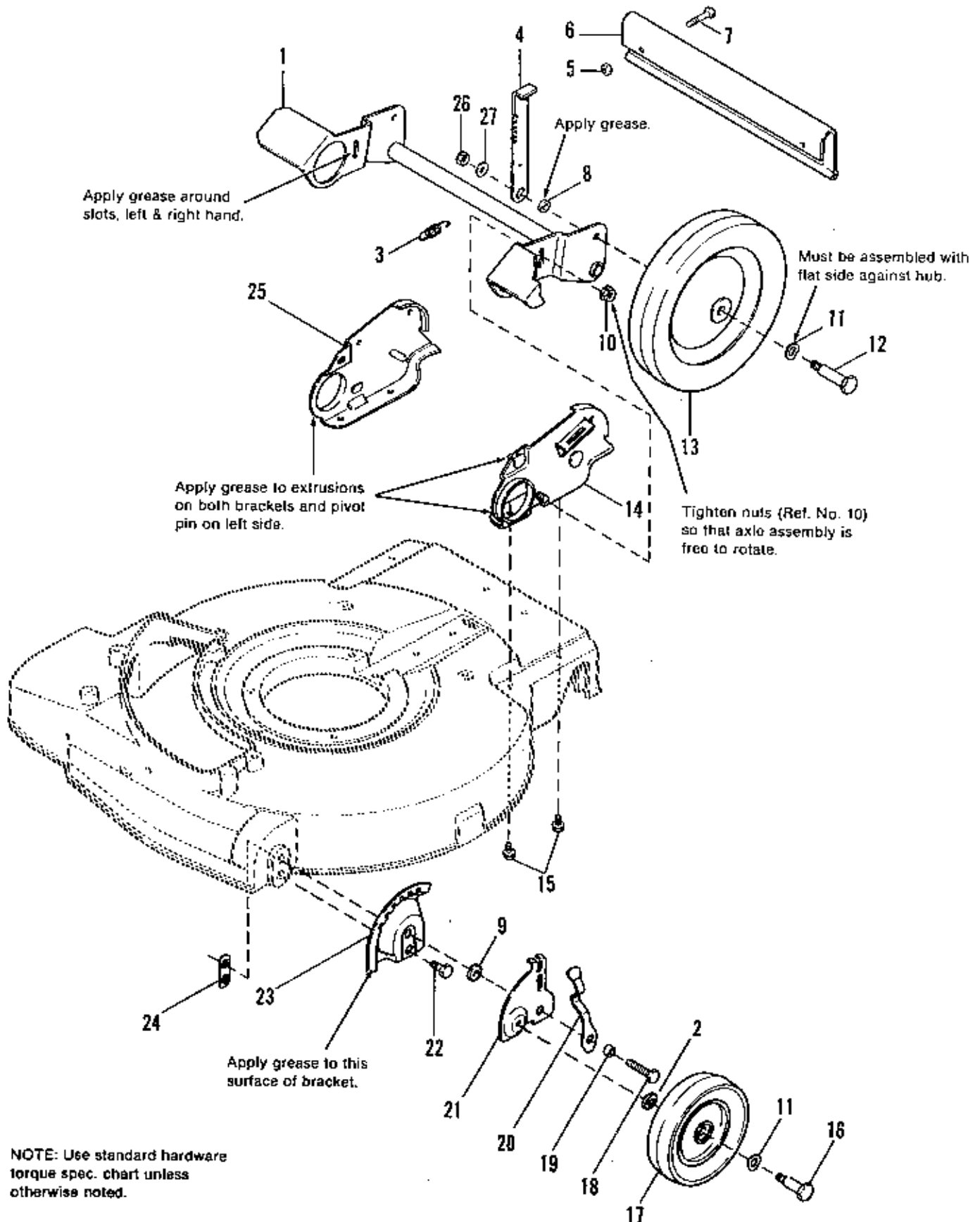


Ref. No.	Part No.	Qty.	Description
1	1685295	1	HANDLE ASSY., Self Propelling (1690795 only)
1	1678795	1	HANDLE ASSY., Self-Propelling (1691100 only)
2	1671320	1	HANDLE, Upper, Coated
3	1671538	1	LOWER CONTROL BAR
4	933896	1	LOCKNUT, Hex, Full, #10-24 (Nylon)
5	1671432	1	STOP, Bail
6	918447	1	PIN, Cotter, 3/32 x 3/4
7	933738	1	SCREW, #10-24 x 1-1/2
8	927609	1	PIN, Roll, 3/8 x 1-1/4
9	918445	1	COTTER PIN 1/16 x 1/2
9	1667059	1	NUT, Pal, 3/16 (Use if item 12 does not have hole for Cotter Pin)
10	910531	2	WASHER
11	1671448	1	ROD, Rope Stop
12	1671447	1	STOP, Rope
13	1657535	2	EYELET
14	1671511	1	ROPE GUIDE ASSY.
15	1678796	1	CLUTCH ROD, Upper (1691100 only)
15	1685294	1	CLUTCH ROD, Upper (1690795 only)
16	928704	1	NUT, Hex, Full, #10-24, LH Thd
17	108775	1	TURNBUCKLE
18	916621	1	NUT, Hex, Full, #10-24, RH Thd
19	108669	1	CLUTCH ROD, Lower
20	106787	2	CLIP, Spring
21	108812	1	CLAMP
22	1671443	1	CABLE ASSY., Brake
23	923300	2	WASHER—Shakeproof, 5/16
24	1677817	2	KNOB, Handle (1691100 only)
24	108848	2	HANDLE, Wing (1690795 only)
25	1677873	2	CAP, Bolt End, Plastic (1691100 only)
26	1665221	1	BOLT, Curved Hd.
27	1668382	1	HANDLE, Lower
28	1671652	1	BRACKET, Cable Mtg.
29	925003	1	SCREW, Taptite, 1/4-20 x 1/2
30	1671629	1	SCREW, #10-32 x 3/8 Sems
31	1678719	2	NUT, Push, 5/32 (1691100 only)
32	1672226	2	BUSHING
33	1684070	2	WASHER, Curved, 5/16 (1691100 only)
34	1678720	1	SPACER, Clutch Rod (1691100 only)
35	933707	2	NUT, Acorn 5/16-18 (1690795 only)



Ref. No.	Part No.	Qty.	Description
*1	108667	2	BEARING & RETAINER ASSY.
2		2	RETAINER (only ref.#1)
3	108898	4	SEAL, Grease
4	108654	2	BEARING
5	108666	1	SHAFT, Driver
6	928734	6	SCREW, Set
7	8301042	2	COLLAR, Set
8	106772	1	CAPSCREW, Hex, 5/16-18 x 1
9	156150	1	SPACER
10	917377	2	WASHER, Plain, 5/16
11	1657284	1	BELT
12	1927557	1	NUT, Hex, 5/16-18 Lock
13	1657259	1	BELLCRANK ASSY.
14	108664	2	DRIVER, Wheel
15	918447	1	PIN, Cotter, 3/32 x 3/4
16	1657180	1	PULLEY, Driven
17	108729	1	SPRING, Idler
18	930642	1	LOCKNUT, Flange, 1/4-20
19	108730	2	PULLEY ASSY.
20	1657175	1	LEVER
21	108693	1	U-BOLT
22	925003	2	SCREW, Taptite, 1/4-20 x 12
23	1921959	1	CAPSCREW, Hex, 1/4-20 x 5/8
24	916964	1	LOCKWASHER, 1/4
25	1657181	1	COVER, Pulley
26	1657515	1	PULLEY, Engine
27	918945	1	KEY, Woodruff, #5
28	917867	1	NUT, Tinnerman, 1/4-20
29	1667502	1	BRACKET, Idler Support
30	108698	1	RING, Retaining
31	929783	1	SCREW, Taptite, 1/4-20 x 1

\*Ref. No. 1 Includes Ref. Nos. 2, 3 & 4.





**Wheel & Height Adjusters Group**

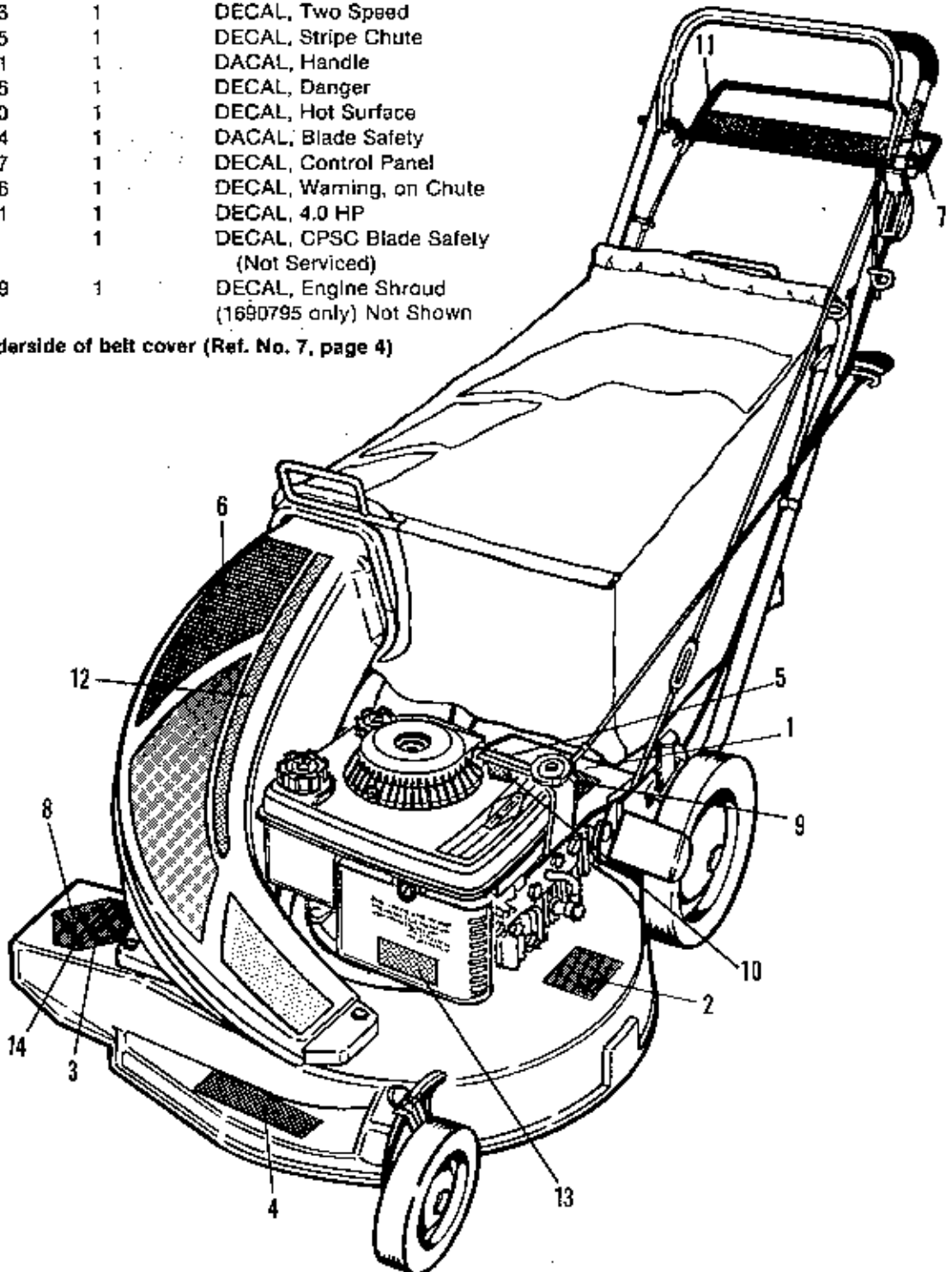
Ref. No.	Part No.	Qty.	Description
1	1666948	1	PLATE & TUBE ASSY.
2	1918266	2	SPACER-Front Wheel (1691100,if required)
3	170264	1	SPRING
4	1666608	1	ADJUSTER, Height, Rear
5	933896	2	LOCKNUT, Hex Nylon, #10-24
6	1666187	1	SHIELD, Trailing, Assembly
7	933738	2	CAPSCREW, Hex Hd., #10-24 x 1-1/2
8	105184	1	SPACER
9	1917642	2	WASHER, Std. 5/16
10	935048	2	NUT, Hex, 5/16-18 Lock
11	170157	4	WASHER, Special
12	108765	2	BOLT, Wheel
13	108701	2	WHEEL, 10" Steel
14	1663587	1	BRACKET ASSY., L.H.
15	925003	4	SCREW, Taptite, 1/4-20 x 1/2
*16	108764	2	BOLT, Front Wheel
17	1671597	2	WHEEL, 6" Front
18	108418	2	SCREW, Special, 3/8-16 x 1-1/4
19	1666804	2	SPACER
20	108641	2	SPRING, Height Adjustment
21	108639	2	ADJUSTER, Height, Front
22	921965	2	CAPSCREW, Hex 3/8-16 x 3/4
23	108640	2	PLATE, Adjuster
24	108697	2	NUT, Pilot, Twin
25	1663586	2	BRACKET ASSY., R.H.
26	1917421	2	NUT-Hex 3/8-16 Jam
27	1917642	2	WASHER, Std. 3/8

**\*NOTE: If Mower has spacer (ref. 2 ) remove when replacing bolt with part no. 108764 bolt.**

**Simplicity**

Ref. No.	Part No.	Qty.	Description
*1	1657638	1	DECAL, Speed Change
2	1608220	1	DECAL, Caution
3		1	OPEI (Not Serviced)
4	106719	1	DECAL, Simplicity
5	1677928	1	DECAL, Two Speed
6	1667015	1	DECAL, Stripe Chute
7	1608221	1	DACAL, Handle
8	1667016	1	DECAL, Danger
9	1667140	1	DECAL, Hot Surface
10	1678714	1	DACAL, Blade Safety
11	1671967	1	DECAL, Control Panel
12	1678716	1	DECAL, Warning, on Chute
13	1678111	1	DECAL, 4.0 HP
14		1	DECAL, CPSC Blade Safety (Not Serviced)
	1671509	1	DECAL, Engine Shroud (1690795 only) Not Shown

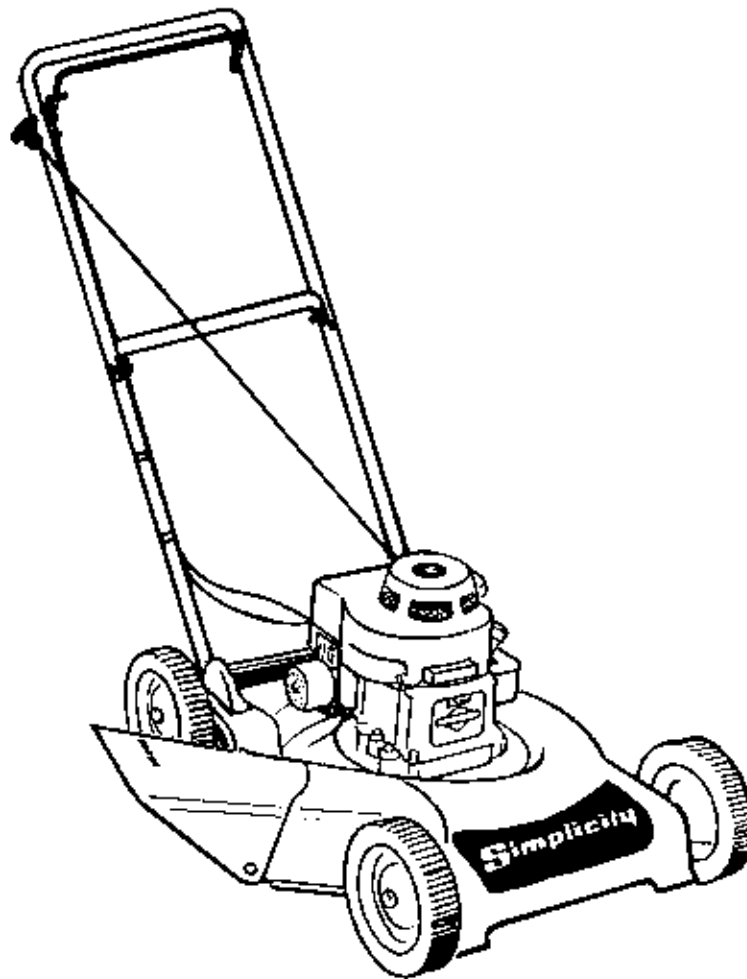
\*Decal located on underside of belt cover (Ref. No. 7, page 4)



# ***Simplicity***

## **OPERATOR'S MANUAL**

### **MODEL 1319**



**1319 19" PUSH MOWER  
MFG. NO. 1690796**

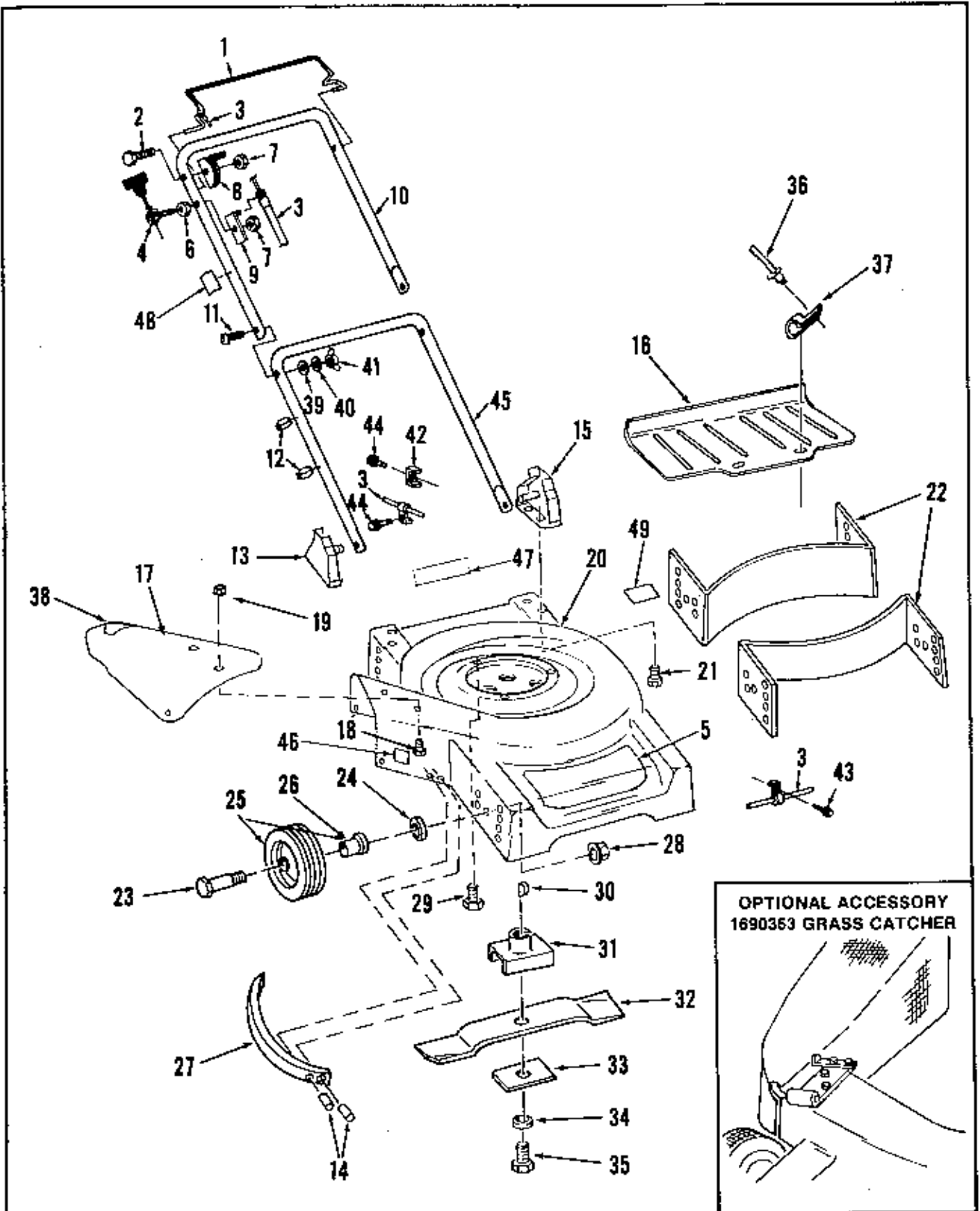


**THIS MOWER MEETS CPSC BLADE SAFETY REQUIREMENTS**

**CAUTION: Read Manual Thoroughly  
Before Operating.**

**FORM 1671638  
PRINTED IN U.S.A.  
27-1694**

PARTS LIST FOR MFG. NO. 1690796



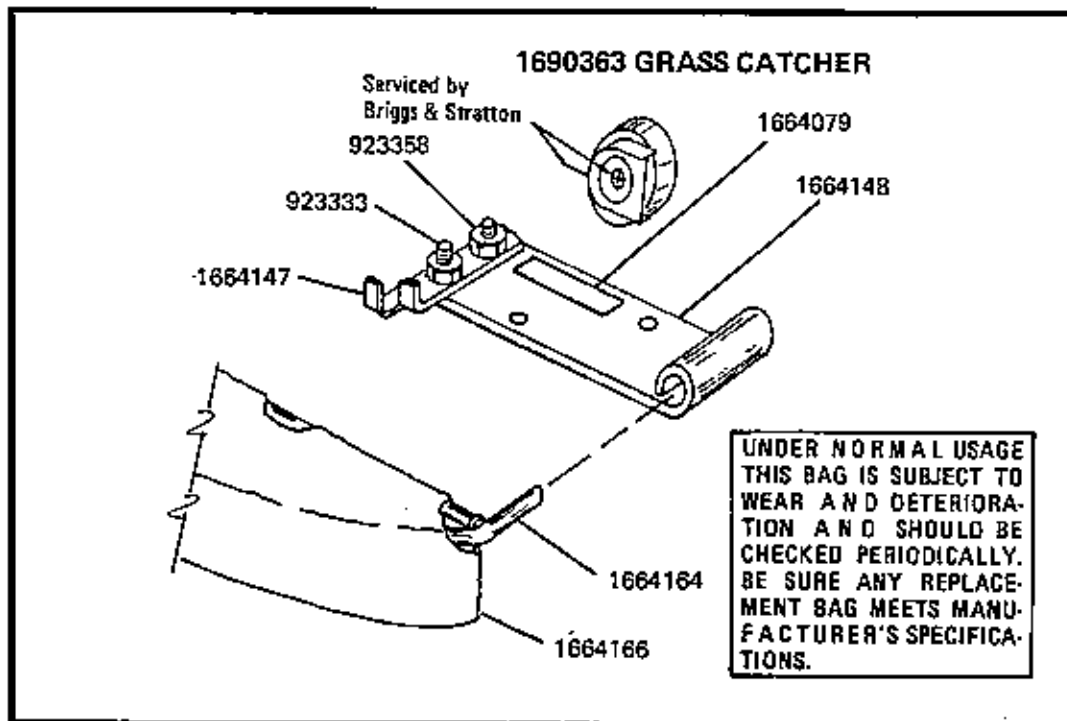
INSTRUCTIONS FOR ORDERING PARTS. . .MOWER PARTS can be ordered from the dealer from whom your mower was purchased or from an authorized parts distributor. Be sure to specify the part number, not reference number, and the description of each required item - also, the model and serial number of your mower.

PARTS LIST FOR MFG. NO. 1690796

Ref. No.	Part No.	Description	Qty.	Ref. No.	Part No.	Description	Qty.
1	1671620	Bail - Control	1	28	930651	Nut - Baffle	4
2	922837	Bolt - Throttle 1/4-20 x 1-1/2	1	29	927187	Screw - Engine	3
3	1671655	Control Cable	1	30	910224	Key - Engine Shaft	1
4	1671623	Eyebolt	1	31	1664060	Blade Adapter Assembly	1
5	1663834	Decal - Deck, Simplicity	1	32	1664040	Blade	1
6	1671624	Nut - 1/4-20 Hex	1	33	1664074	Spacer - Blade Adapter	1
7	923358	Nut - Hex 1/4-20 Locking	2	34	916965	Washer - Blade	1
8	1671621	Control - Throttle	1	35	927008	Bolt - Blade	1
9	1671652	Bracket - Cable Mounting	1	36	924280	Pop Rivet	2
10	1671619	Handle - Upper	1	37	1671991	Clip - Trailguard	2
11	1671630	Bolt - Handle	2	38	1671649	Decal - Danger & Caution	1
12	108812	Clamp - Cable	2	39	1664070	Washer - Curved	2
13	1664053	Bracket Assembly - Yoke, R.H.	1	40	923300	Washer - Lock	2
14	1664184	Rivet - 1/4" Pop	3	41	918468	Nut - Wing	2
15	1664052	Bracket Assembly - Yoke, L.H.	1	42	1664062	Clamp - Casing	1
16	1671625	Trailguard	1	43	1671629	Screw - Hex Head	1
17	1664083	Chute Extension	1	44	1664068	Screw - Casing	2
18	1664055	Bolt - Carriage	3	45	1669639	Lower Handle	1
19	1664067	Nut - Keps	3	46	170489	Decal - 19"	1
20	1664044	Housing	1	47	106719	Decal - Simplicity 6"	1
21	1671631	Bolt - 1/4-20 x 1/2	4	48	1671647	Decal - Engine Control	1
22	1664071	Baffle	2	49	1671648	Decal - Starting Instructions	1
23	1668749	Bolt - Shoulder	4				
24	917642	Washer - 3/8 Flat	4				
25	1671627	Wheel Assembly w/Bearing 7"	4				
26	1684058	Bearing - Wheel	4				
27	1664176	Guard - Blade	1				

						<b>OPTIONAL ACCESSORY</b>	
					1690363	Grass Catcher	
					1664166	Replacement Bag	

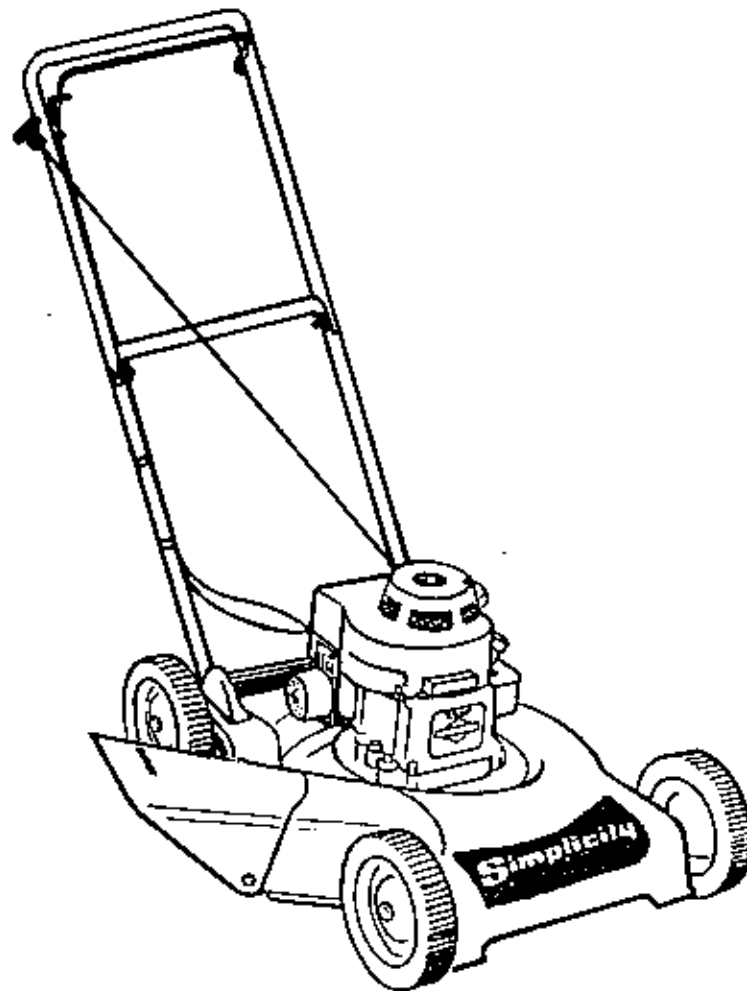




# *Simplicity*

## OPERATOR'S MANUAL

### MODEL 1321



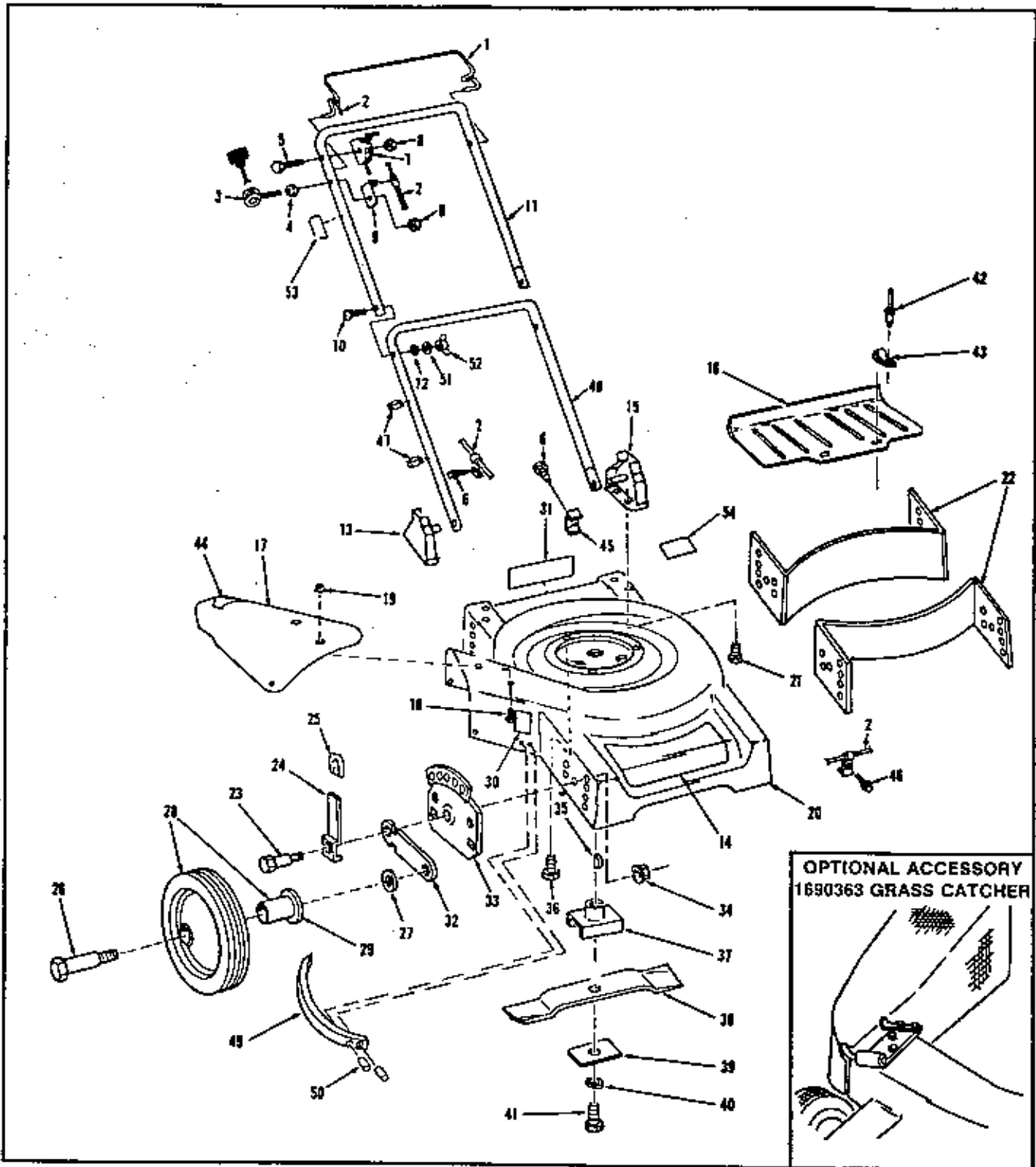
1321 21" PUSH MOWER  
MFG. NO. 1690797



THIS MOWER MEETS CPSC BLADE SAFETY REQUIREMENTS

**CAUTION: Read Manual Thoroughly  
Before Operating**

PARTS LIST FOR MFG. NO. 1690797



**INSTRUCTIONS FOR ORDERING PARTS.** . MOWER PARTS can be ordered from the dealer from whom your mower was purchased or from an authorized parts distributor. Be sure to specify the part number, not reference number, and the description of each required item - also, the model and serial number of your mower.

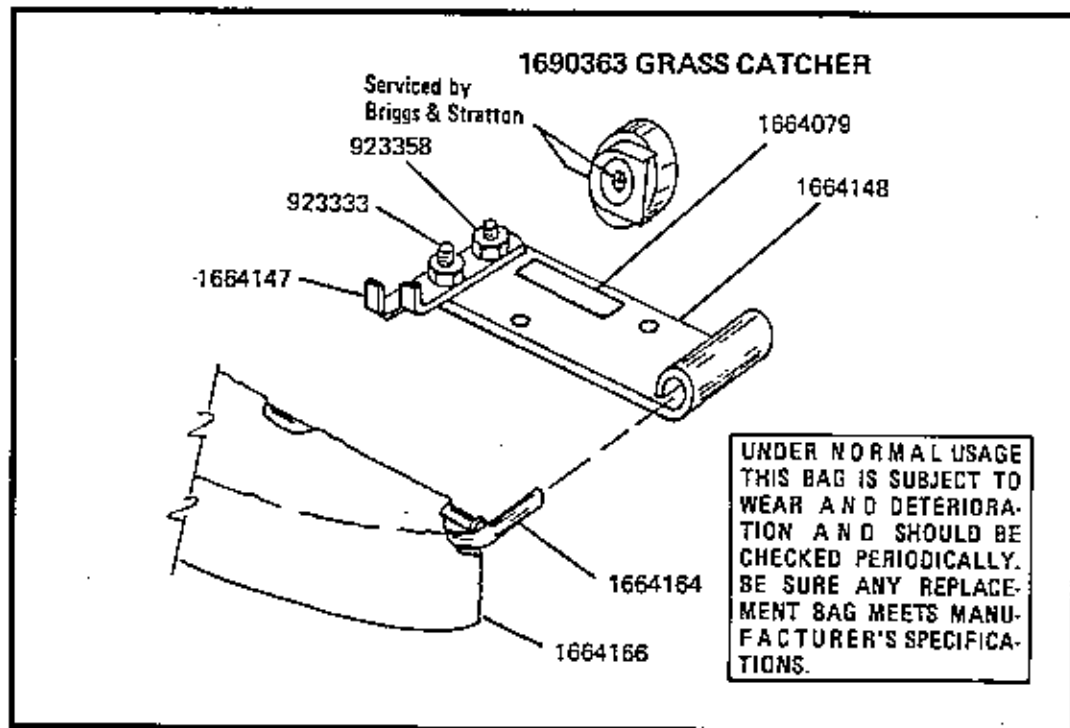


PARTS LIST FOR MFG. NO. 1690797

Ref. No.	Part No.	Description	Qty.	Ref. No.	Part No.	Description	Qty.
1	1671620	Bail - Control	1	31	106719	Decal - Simplicity	1
2	1671655	Cable	1	32	1664081	Arm - O.W.A.	4
3	1671623	Eyebolt	1	33	1664059	Plate - Wheel Adj.	4
4	1671624	Nut - 1/4-20	1	34	930651	Nut - Baffle	4
5	922837	Bolt - 1/4-20 x 1-1/2 Hex	1	35	910224	Key - Engine Shaft	1
6	1664068	Screw - Casing	2	36	927187	Screw - Engine	3
7	1671621	Control - Throttle	1	37	1664060	Blade Adapter Assembly	1
8	923358	Nut - 1/4-20 Estock	2	38	1664041	Blade	1
9	1671652	Bracket - Cable Mounting	1	39	1664074	Spacer - Blade Adapter	1
10	1671630	Bolt - 5/16-18 x 2-1/4 Curved	2	40	916965	Washer - Blade	1
11	1671619	Handle - Folding	1	41	927008	Bolt - Blade	1
12	1664070	Washer - 5/16 Curved	2	42	924280	Pop Rivet	2
13	1664053	Bracket Assembly - Yoke, R.H.	1	43	1671991	Clip - Trailguard	2
14	1663835	Decal - Deck, Simplicity	1	44	1671649	Decal - Danger & Caution	1
15	1664052	Bracket Assembly - Yoke, L.H.	1	45	1664062	Clamp - Casing	1
16	1671626	Trailguard	1	46	1671629	Screw	1
17	1664083	Chute Extension	1	47	108812	Clamp - Throttle	2
18	1664065	Bolt - Carriage	3	48	1668639	Lower Handle	1
19	1664067	Nut - Keys	3	49	1664186	Guard - Blade	1
20	1664043	Housing	1	50	1664184	Rivet - 1/4" Pop	3
21	1671631	Bolt - 1/2-20 x 1/2	4	51	923300	Washer	2
22	1664072	Baffle	2	52	918468	Nut - Wing	2
23	1664066	Bolt - Shoulder O.W.A.	4	53	1671647	Decal - Engine Control	1
24	1664080	Spring - O.W.A.	4	54	1671648	Decal - Starting Instructions	1
25	1664084	Tip - O.W.A.	4				
26	1668701	Bolt - Axle	4				
27	917542	Washer - 3/8 Flat	4				
28	1671628	Wheel Assembly w/Bearing 8"	4				
29	1664058	Bearing - Wheel	4				
30	170488	Decal - 21"	1				

OPTIONAL ACCESSORY

1690363	Grass Catcher
1664166	Replacement Bag



**Operator's  
Manual  
Model  
1320PS**

**Walk-Behind  
Lawnmower**



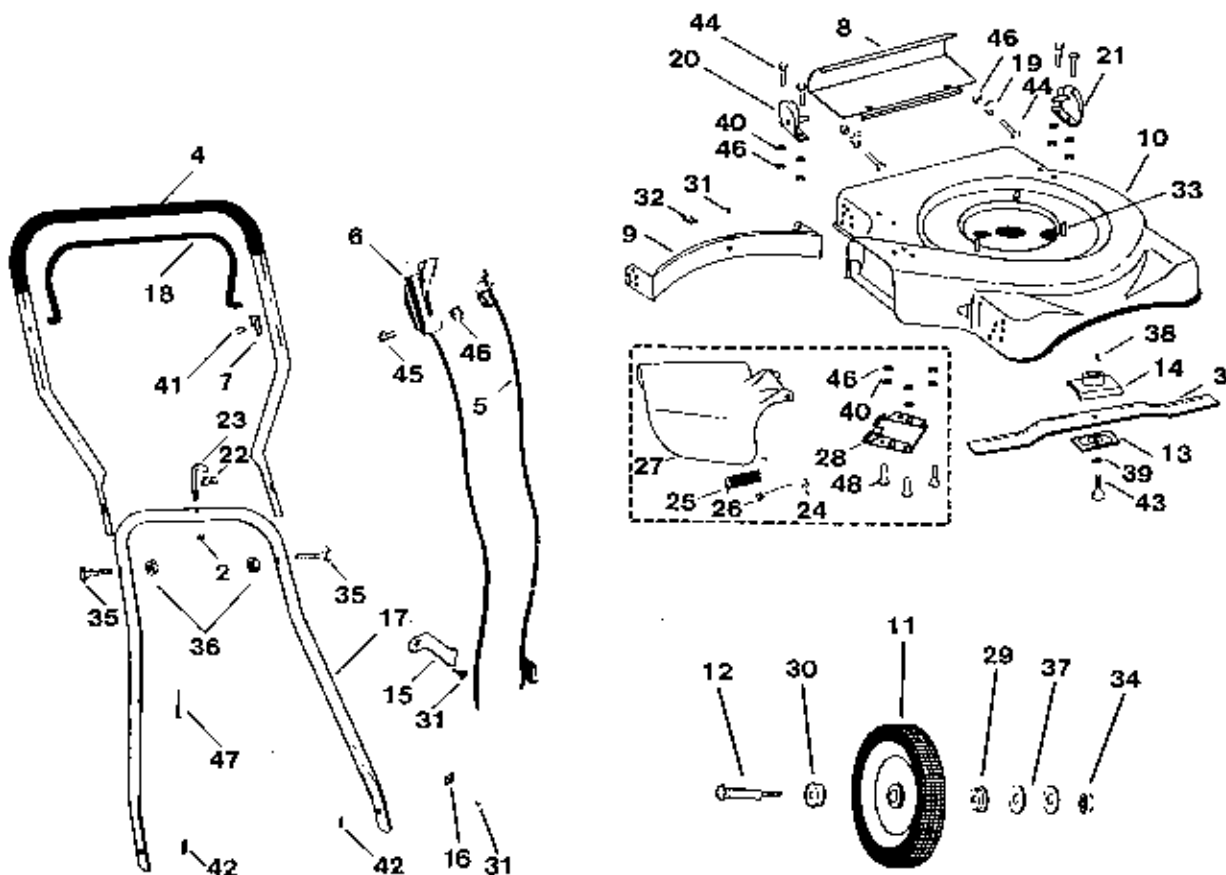
3 HP, 20" CUTTING WIDTH  
MFG. NO. 1690904

***Simplicity***®

# Repair Parts List Model 1320 PS - Mfg. No. 1690904

Ref. No.	Part No.	No. Req.	Description	Ref. No.	Part No.	No. Req.	Description
2	1674291	1	Nut - .250 - 20 Keps	34	1674894	4	Nut - .375 - 16 Keps
3	1674814	1	Blade - 20"	35	1674895	2	Saddle Bolt - .312 - 18 x 1.250
4	1674815	1	Handle - Upper	36	1674896	2	Nut - .312 - 18 Keps
5	1674816	1	Zone Restart Cable	37	1674897	8	Guard Washer
6	1674817	1	Throttle Control	38	910224	1	Key, Woodruff - .156 x .625
7	1674818	1	Brkl - Bail Stop	39	916965	1	Lockwasher - .375
8	1674819	1	Drag Guard - 20"	40	917377	7	Washer - .250
9	1674820	1	Rear Band - 20"	41	917452	2	Screw - #10 - 32 x .50
10	1674821	1	Deck - 20"	42	918451	2	Pin, Colter .125 x .750
11	1674824	4	Wheel Ass'y. - 7"	43	920352	1	Capscrew - Hex HD. .375 - 24 x 1.250
12	1674825	4	Shoulder Bolt	44	921958	6	Capscrew - Hex HD. .250 - 20 x .50
13	1674831	1	Retainer Plate	45	921963	1	Capscrew - Hex HD. .250 - 20 x 2.00
14	1674832	1	Blade Adaptor	46	923358	6	Nut, Lock .250 - 20
15	1674836	1	Throttle Cable Guide	47	932747	1	Plastic Cable Tie
16	1674837	1	Clamp - Throttle Control	48	927618	10	Bolt, Carriage - .250 - 20 x .50
17	1674842	1	Handle - Lower				
18	1674843	1	Bail				
19	1674845	2	Brkl - Drag Pin Hinge	1667016		1	Decal - Danger (Side deck in front of discharge opening)
20	1674846	1	Brkl - Handle - R.H.	1674822		1	Decal - 20" (on front Lip of deck)
21	1674847	1	Brkl - Handle - L.H.	1674829		1	Decal - Simplicity (Top of deck)
22	1674848	2	Rope Guide	1674860		1	Decal - Be Careful (Rear top of deck)
23	1674849	1	J-Bolt	1674861		1	Decal - Caution (On Guard)
24	1674851	1	Push Nut	1674862		1	Decal - Caution (By Deflector)
25	1674852	1	Spring - Torsion	1674865		1	Decal - Start & Stop (on top of upper handle)
26	1674853	1	Pin				
27	1674855	1	Chute				
28	1674856	1	Hinge Bracket				
29	1674883	4	Bearing - Inner				
30	1674884	4	Bearing - Outer				
31	1674891	8	Screw - #10X .625 SEMS				
32	1674892	1	Nut - .187 Tinnerman				
33	1674893	3	Screw - .375 - 16 x 1.00 Ind. Hex HD.				

NOTE: See page 36 for Grass Bagger, Mfg. No. 1690973.



**Operator's  
Manual  
Model  
1322PS**

**Walk-Behind  
Lawnmower**

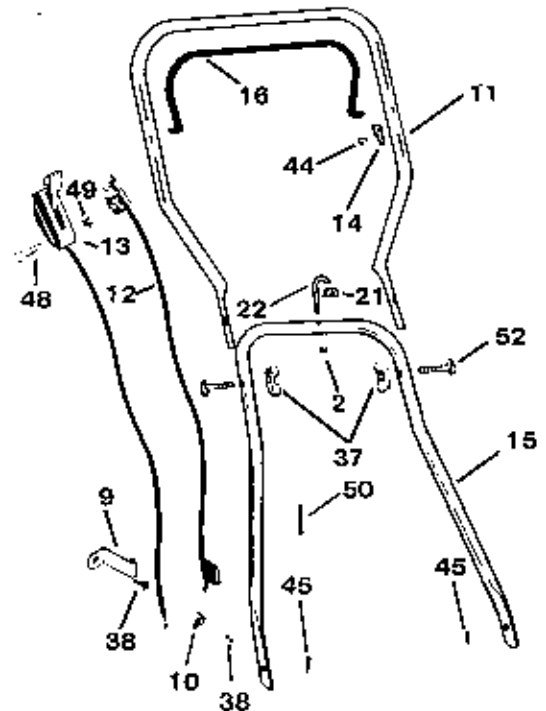
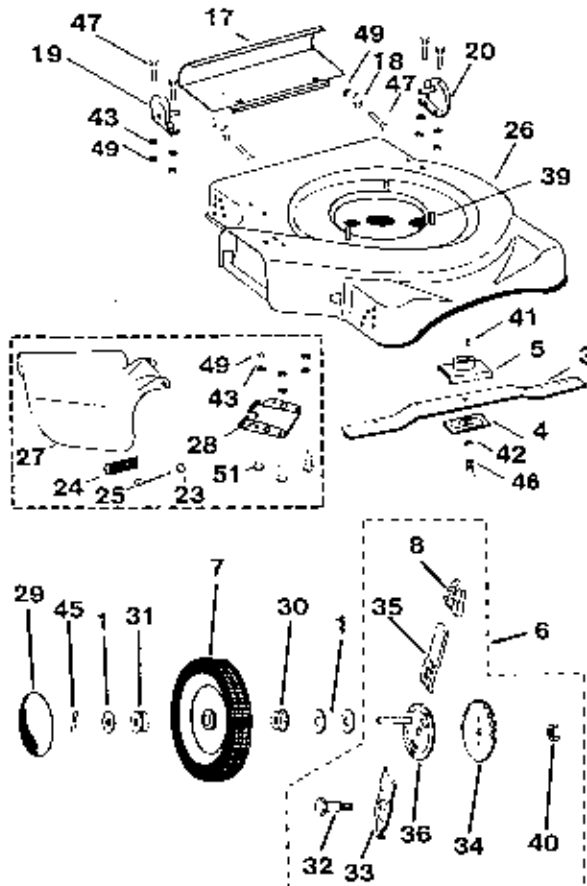


3-1/2 HP, 22" CUTTING WIDTH  
MFG. NO. 1690905

***Simplicity***<sup>®</sup>

# Repair Parts List Model 1322 PS Mfg. No. 1690905

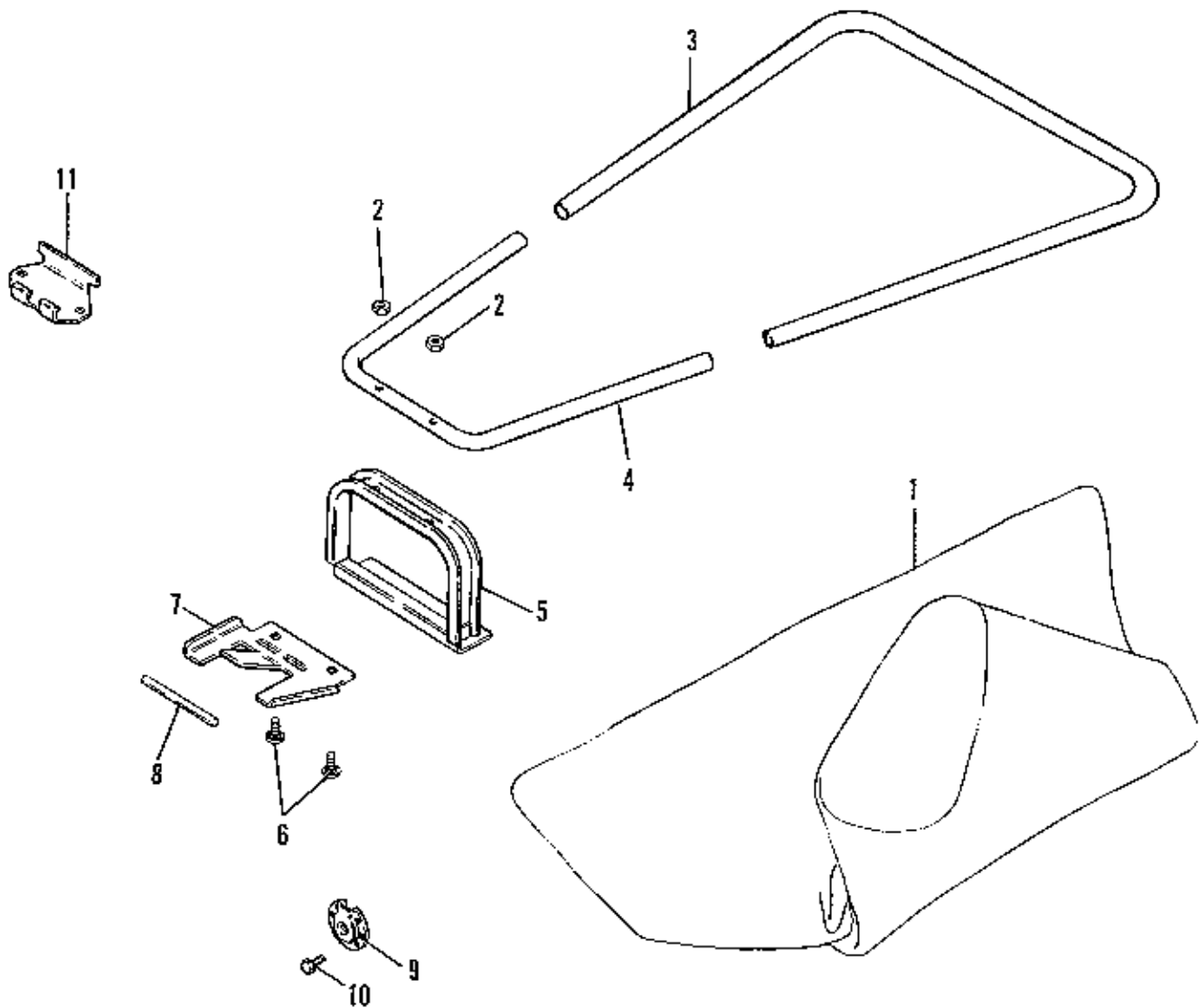
Ref. No.	Part No.	No. Req.	Description	Ref. No.	Part No.	No. Req.	Description
1	153072	12	Washer	37	1674890	2	Wing Nut
2	1674291	1	Nut - .250 - 20 Keps	38	1674891	2	Screw - # 10 x .625
3	1674830	1	Blade - 22"	39	1674893	3	Screw - .375 - 16 x 1.00 Ind. Hex HD.
4	1674831	1	Retainer Plate	40	1674894	4	Nut - .375 - 16 Keps
5	1674832	1	Blade Adaptor	41	910224	1	Key, Woodruff .156 x .625
6	1674833	4	Height Adj. Ass'y.	42	916965	1	Lockwasher - .375
7	1674834	4	Wheel Ass'y. - 8"	43	917377	7	Washer .250
8	1674835	4	Knob - Red	44	917452	2	Screw - #10 - 32 x .50
9	1674836	1	Guide - Throttle Cable	45	918451	6	Pin, Cotter .125 x .750
10	1674837	1	Clamp - Throttle Control	46	920352	1	Capscrew, Hex Hd. - .375 - 24 x 1.250
11	1674838	1	Handle - Upper	47	921958	6	Capscrew, Hex Hd. - .250 - 20 x .50
12	1674839	1	Zone Restart Cable	48	921963	1	Capscrew, Hex Hd. .250 - 20 x 2.00
13	1674840	1	Throttle Control	49	923358	10	Nut, Lock .250 - 20
14	1674841	1	Brkt. - Bail Stop	50	932747	1	Plastic Cable Tie
15	1674842	1	Handle - Lower	51	927618	3	Bolt, Carriage .250 - 20 x .50
16	1674843	1	Bail	52	1675297	2	Saddle Bolt - .312 18 x 1.750
17	1674844	1	Drag Guard - 22"				
18	1674845	2	Brkl. - Drag Pin Hinge	1667016		1	Decal - Danger (Side deck in front of discharge opening)
19	1674846	1	Brkl. - Handle - R.H.	1674829		1	Decal - Simplicity (Top of Deck)
20	1674847	1	Brkl. - Handle - L.H.	1674858		1	Decal - 22" (On front lip of Deck)
21	1674848	2	Rope Guide	1674860		1	Decal - Be Careful (Rear top of Deck)
22	1674849	1	J-Bolt	1674861		1	Decal - Caution (On Guard)
23	1674851	1	Push Nut	1674862		1	Decal - Caution (By Deflector)
24	1674852	1	Spring - Torsion	1674865		1	Decal - Start & Stop (On top of upper handle)
25	1674853	1	Pin				
26	1674854	1	Deck - 22"				
27	1674855	1	Chute				
28	1674856	1	Hinge Bracket				
29	1674857	4	Hubcap				
30	1674883	4	Bearing - Inner				
31	1674884	4	Bearing - Outer				
32	1674885	4	Shoulder Bolt - .375 - 16 x 1.00				
33	1674886	4	Spring				
34	1674887	4	Plate				
35	1674888	4	Lever				
36	1674889	4	Plate & Pin				



# Repair Parts List

Mfg. No. 1690973 (For Model 1690904 & 1690905)

Ref. No.	Part No.	Qty.	Description
1	1674905	1	GRASS BAG
2	1923358	2	KEPNUT, 1/4-20
3	1674902	1	SUPPORT TUBE, Upper
4	1674906	1	LOWER FRAME SUPPORT
5	1674907	1	FRAME ASSY.
6	931317	2	CARRIAGE BOLT, 1/4-20 x 3/4
7	1674908	1	DECK BRACKET
8	1674909	1	SUPPORT PIN
9	1674910	1	MUFFLER DEFLECTOR
10	1674911	2	SCREW, Hex Hd., 8-32 x 5/8
11	1674912	1	DECK BRACKET (Supplied With Certain Units)



**Operator's  
Manual  
Model  
1318PSE**

**Electric  
Walk-Behind  
Lawnmower**



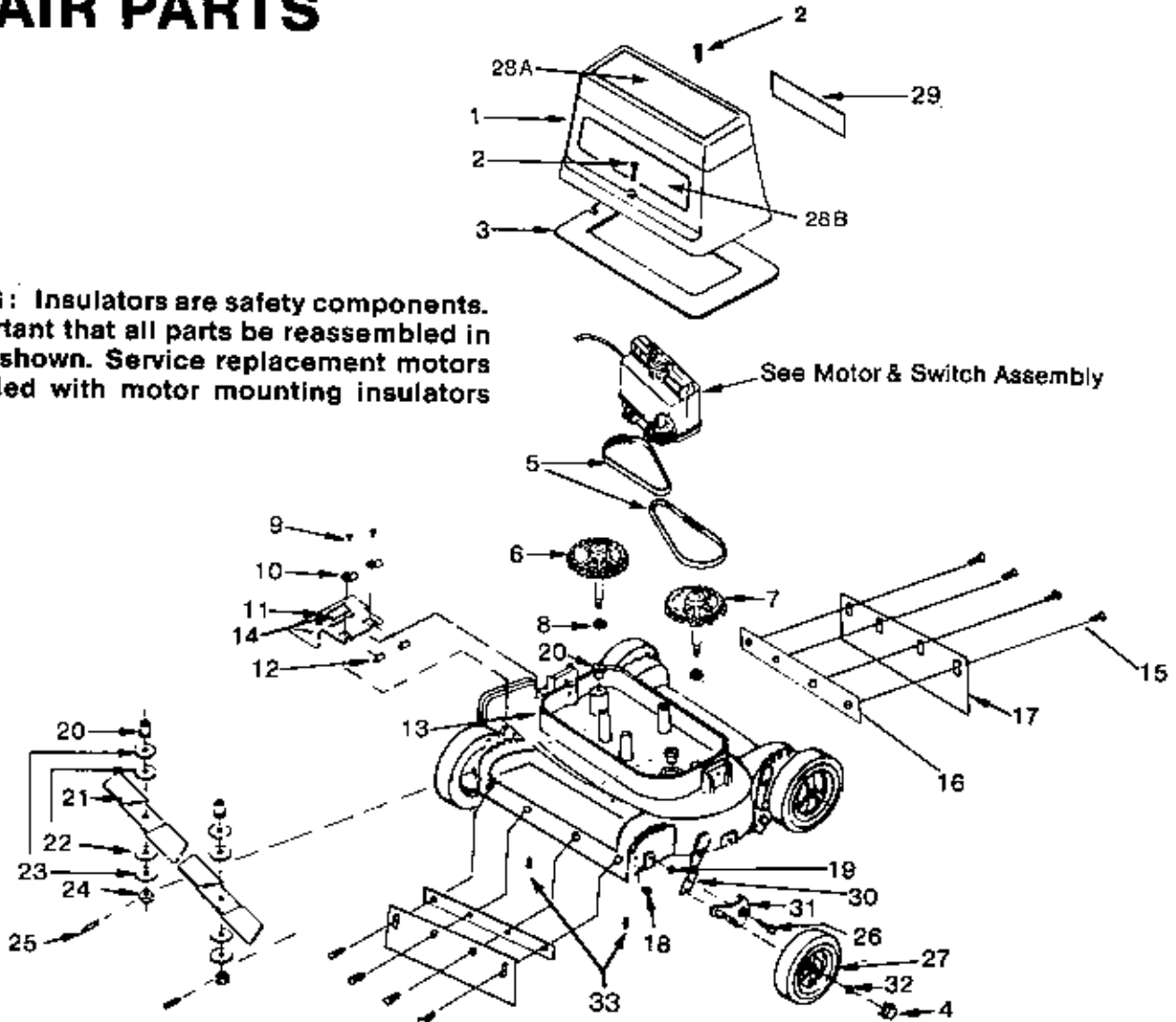
3 HP, 18" Cutting Width  
MFG. NO. 1690906

***Simplicity***®

## REPAIR PARTS



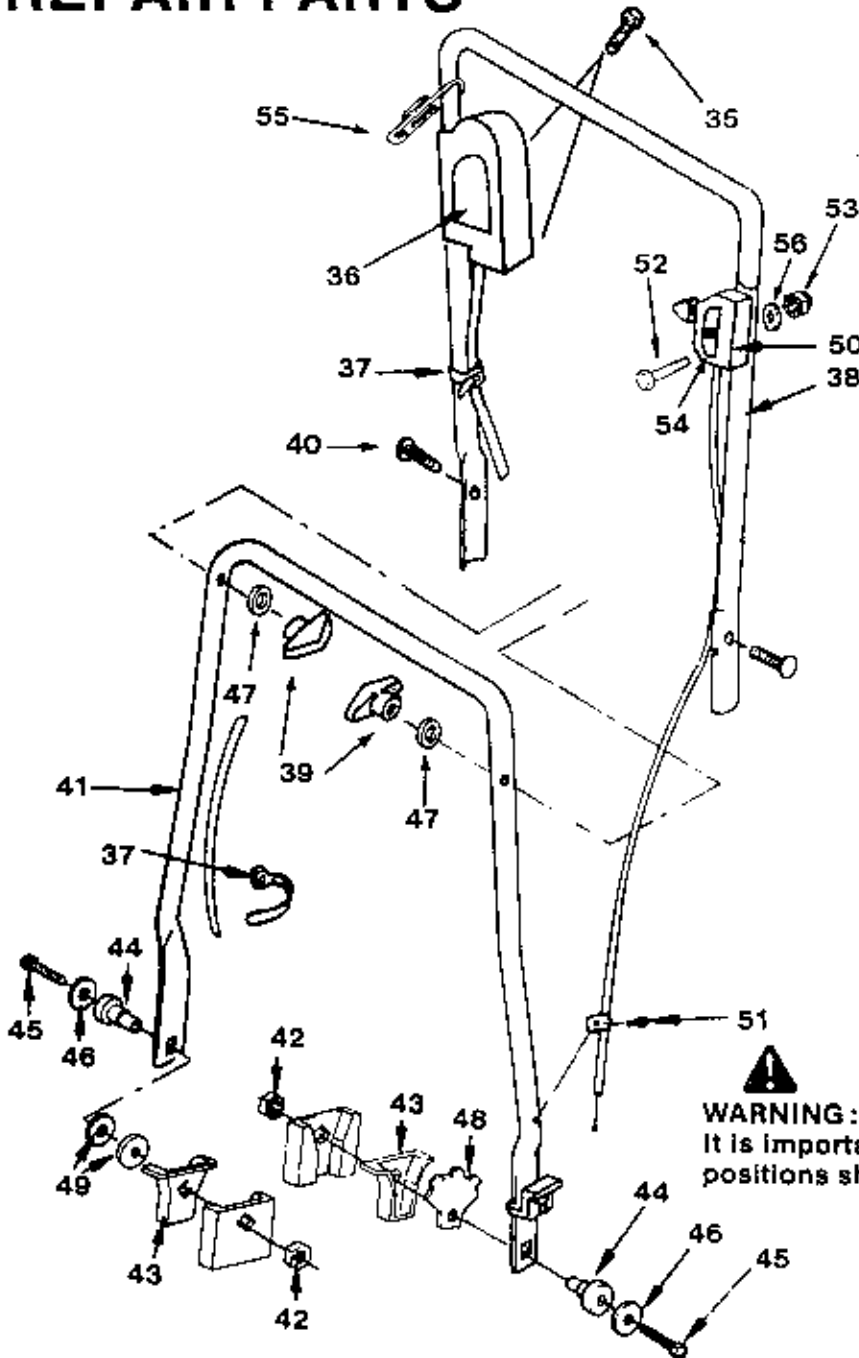
**WARNING:** Insulators are safety components. It is important that all parts be reassembled in positions shown. Service replacement motors are supplied with motor mounting insulators attached.



Key	Part No.	Description	Amt. Req.	Key	Part No.	Description	Amt. Req.
1	1675445	Motor Cover	1	18	1675480	Nut	4
2	1675462	Screw Motor Cover	2	19	1675459	Washer, Axle	4
3	1675452	Baffle Air	1	20	1675429	Bearing, Blade Shaft	4
4	1675467	Hub Cap	4	21	1675436	Blade - 9"	2
5	1675437	Belt Drive	2	22	1675434	Washer, Fibre	4
6	1675433	Blade Shaft/Pulley Long	1	23	1675441	Washer, Flat	4
7	1675432	Blade Shaft/Pulley Short	1	24	1675456	Nut, Blade	2
8	1675435	Washer, Pulley	2	25	918448	Coller Pin	2
9	1675442	Rivet, Blind	2	26	1675446	Shoulder Bolt	4
10	1675438	Hinge, Chute Guard	2	27	1675466	Wheel - 6"	4
11	1675431	Chute Guard	1	28A	1675296	Label - 18" Twin Blade	1
12	1675439	Hinge Pin	2	28B	1674829	Label - "Simplicity"	1
13	1675428	Deck Assembly (Incl Key #20)	1	29	1675476	Caution & Data Label	1
14	1675478	Label - Danger	1	30	1675455	Handle Height Adjustment	4
15	1675449	Rivet - Blind	8	31	1675453	Bracket & Axle Assembly	4
16	1675443	Strap - Trail Shield	2	32	1675461	Retaining Ring	4
17	1675440	Trailing Guard		33	1675430	Grease Fitting	2



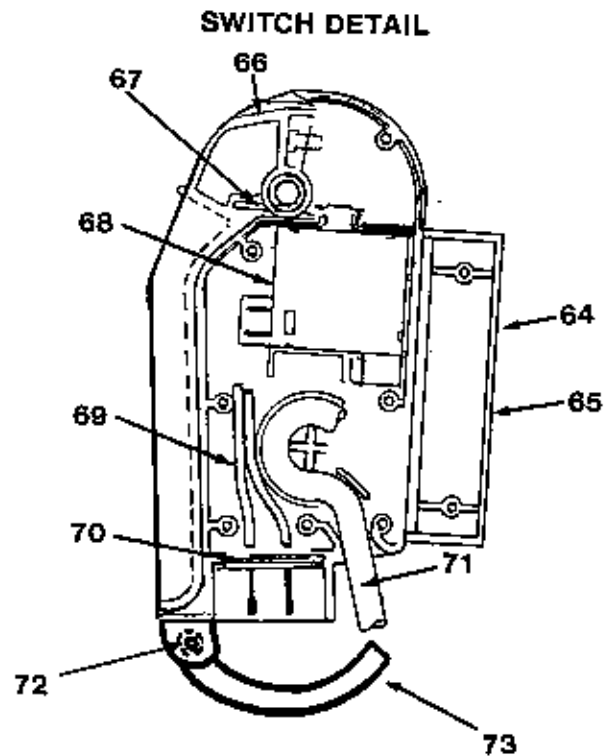
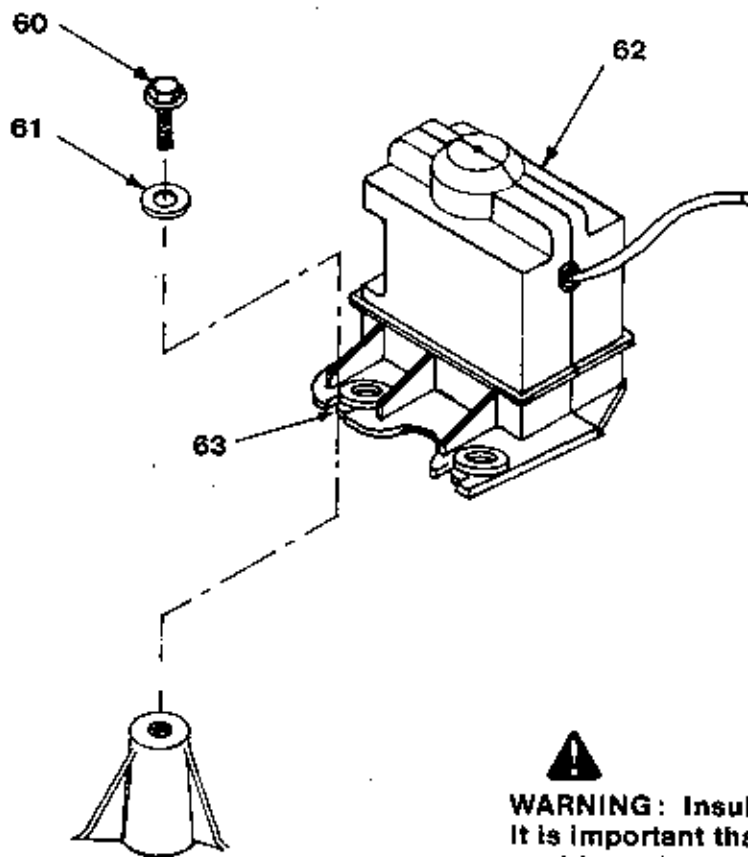
# REPAIR PARTS



**WARNING:** Insulators are safety components. It is important that all parts be reassembled in positions shown.

Key	Part No.	Description	Amt. Req.	Key	Part No.	Description	Amt. Req.
35	1675468	Screw	2	46	1675465	Washer	2
36	1675479	Motor Switch Label	1	47	1675469	Saddle Washer	2
37	1675578	Plastic Tie	2	48	1675454	Upstop Bracket	1
38	1675444	Handle, Upper	1	49	1675464	Washer	2
39	1675470	Knob Assembly	2	50	1675742	Cable Release Control	1
40	1675472	Curved Head Screw	2	51	1675463	Mounting Screw	1
41	1675450	Handle, Lower	1	52	922837	Screw 1/4 - 20 x 1 1/2 Hex	1
42	1675460	Nut	2	53	1675471	Nut 1/4 - 20 Acorn	1
43	1675461	Bracket Insulator	2	54	1675474	Label Flip-Over	1
44	1675448	Screw Insulator	2	55	1675473	Strain Relief	1
45	921221	Screw	2	56	1675447	Washer	1

## REPAIR PARTS



**WARNING:** Insulators are safety components. It is important that all parts be reassembled in positions shown. Replacement motors are supplied with motor mounting insulators attached.

Key	Part No.	Description	Amt. Req.	Key	Part No.	Description	Amt. Req.
60	1675458	Bolt, Motor Mount	3	67	1675747	Spring	1
61	1675457	Washer - 1/4" ID x 3/8" OD x 1/16" Thick	3	68	1675748	Switch	1
62	1675475	Motor & Switch Assy.	1	69	1675749	Lead Ass'y (Black)	1
63	1675743	Insulator, Motor Housing (Part of Key No. 62)	3	70	1675751	Prong Retainer (2-Pc)	1
64	1675744	Housing - Upper Half	1	71	1675752	Cord Ass'y.	1
65	1675745	Housing - Lower Half (Not Shown)	1	72	1675753	Spring - Plug Ret.	1
66	1675746	Handle - Switch	1	73	1675754	Plug Retainer	1
					1675755	Jumper Lead (Yellow) (Not Shown)	1
					1675756	Screw (Not Shown)	7

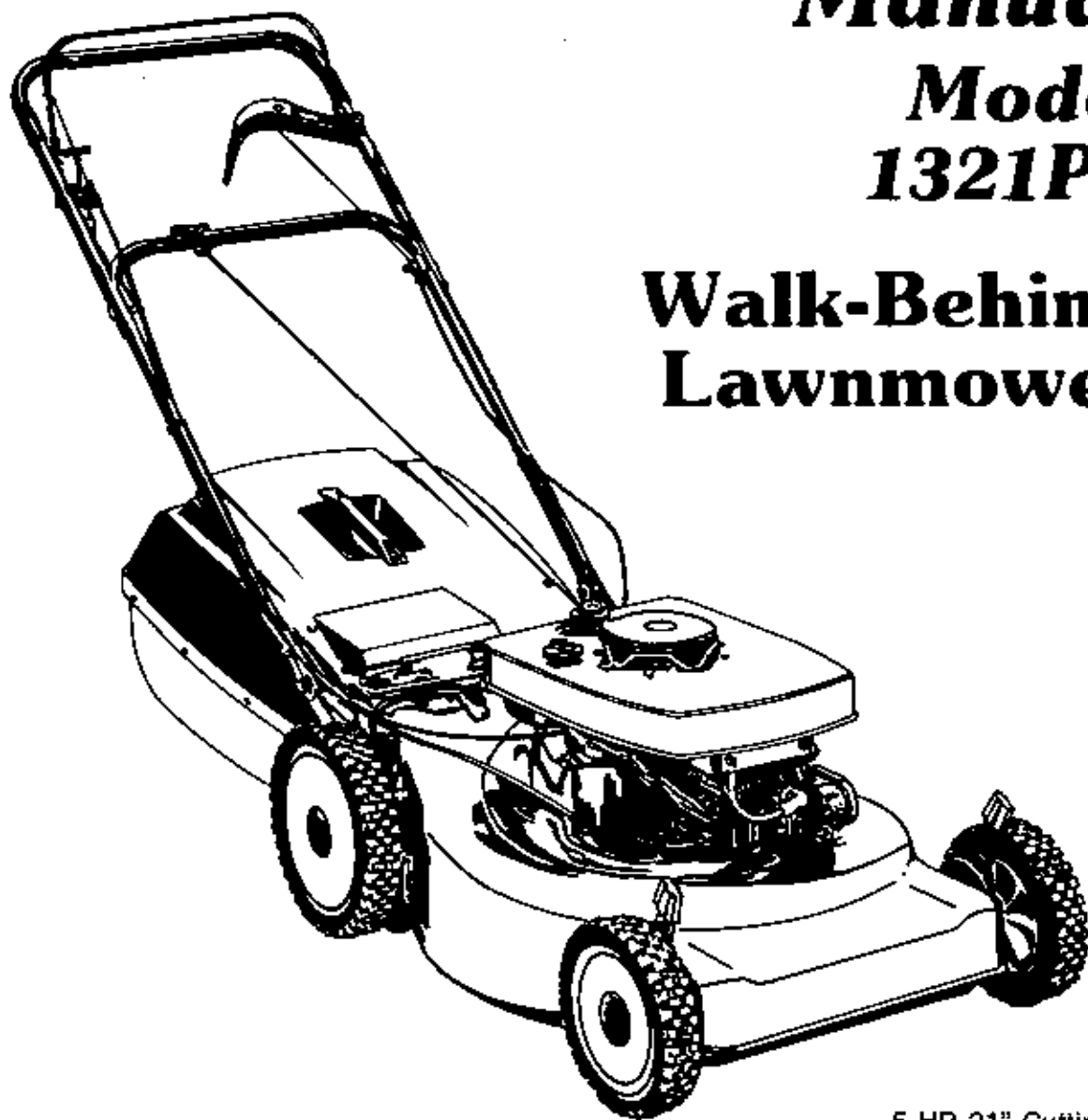
**WARNING:** The motor is an important part of the double insulated system. To avoid the possibility of alteration or damage to the system, it is recommended that service be performed at a factory authorized service location.

NOTE: FOR REPAIR PARTS CONTACT YOUR LOCAL AUTHORIZED SIMPLICITY DEALER.

# **Operator's Manual**

## **Model 1321PP**

### **Walk-Behind Lawnmower**

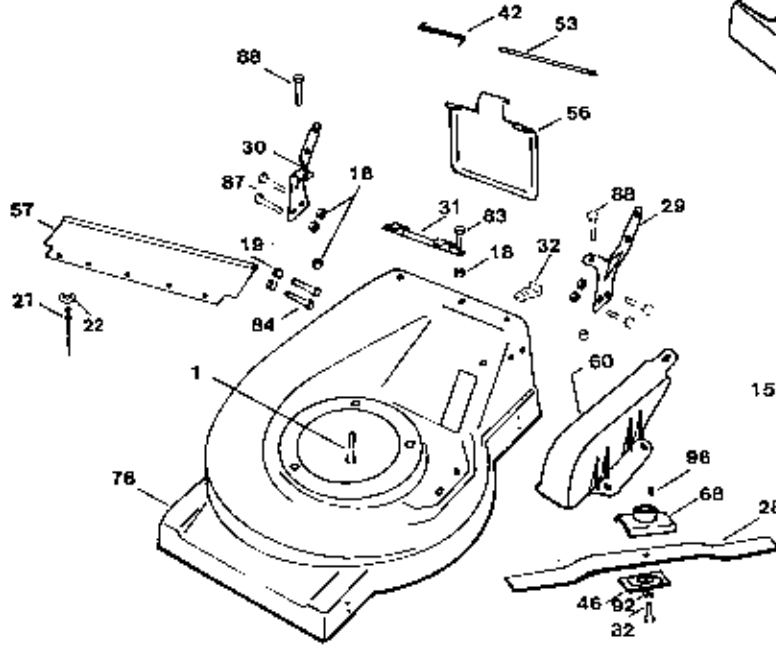


5 HP, 21" Cutting Width  
MFG. NO. 1690907

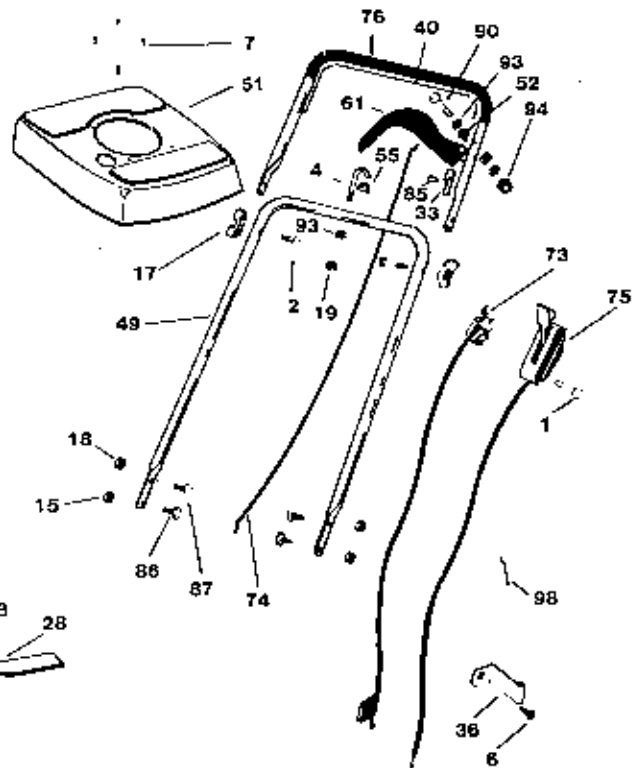
# ***Simplicity***®

**Repair Parts List**  
**Mfg. No. 1690907**

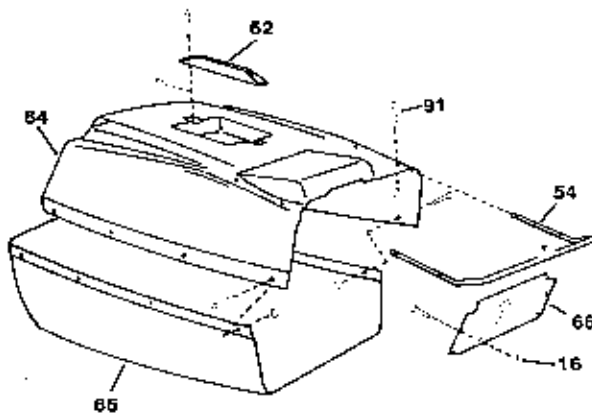
**BASE ASSEMBLY**



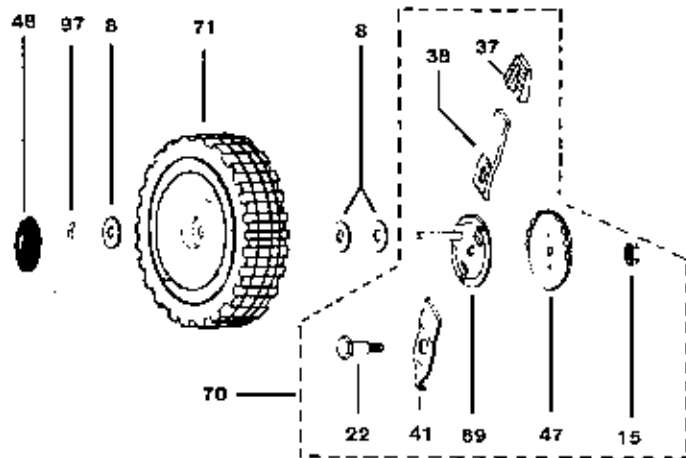
**HANDLEBAR ASSEMBLY**



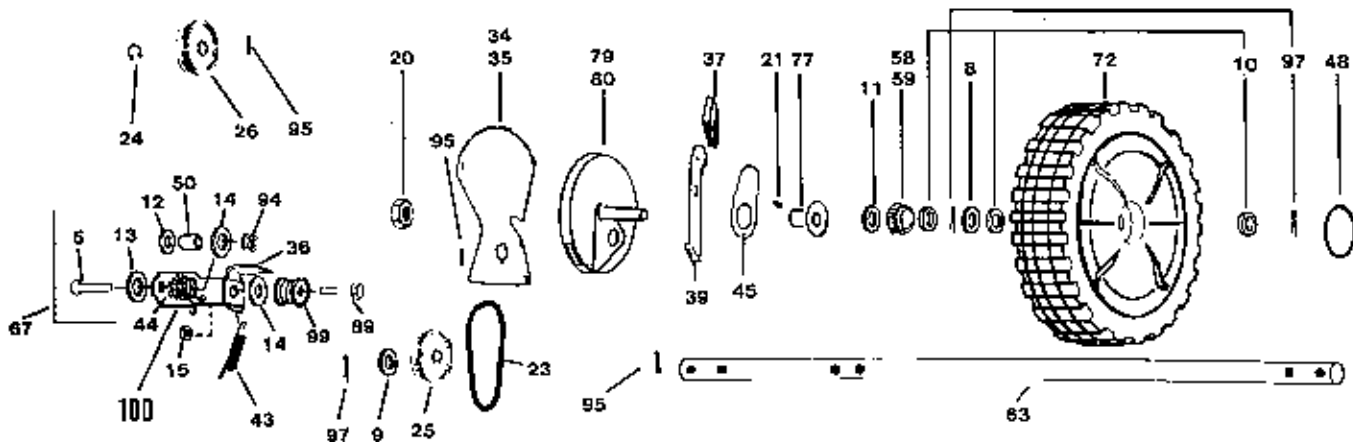
**GRASS CATCHER ASSEMBLY**



**FRONT WHEEL ASSEMBLY**



**REAR WHEEL AND DRIVE ASSEMBLY**



# Repair Parts List

## Mfg. No. 1690907

Ref. No.	Part No.	Description	No. Req.	Ref. No.	Part No.	Description	No. Req.
1	1674893	Screw .375 - 16 x 1.00 Ind. Hex Hd.	3	58	1674978	Drive Gear - L.H.	1
2	1674972	Saddle Bolt .312 - 18 x .750	2	59	1674977	Drive Gear - R.H.	1
3	1675021	Screw .250 - 20 x .750	1	60	1675004	Belt Cover	1
4	1674849	J-Bolt	1	61	1674965	Clutch Handle	1
5	1675023	Screw .250 - 20 x 1.250	1	62	1675008	Handle	1
6	1674974	Screw #10 - 32 x .375	1	63	1674975	Axle	1
7	1675002	Screws - Engine Shroud	4	64	1675011	Top - Catcher	1
8	153072	Washer	8	65	1675012	Bottom - Catcher	1
9	1675014	Washer	3	66	1675013	Back - Catcher	1
10	1675019	Washer	6	67	1674982	Idler Assembly	1
11	1675017	Washer	2	68	1676781	Blade Adaptor	1
12	1675024	Washer	1	69	1674889	Plate & Pin	2
13	1675022	Washer	1	70	1674833	Height Adj. Ass'y.	
14	1675020	Washer	2	71	1674959	Wheel Ass'y. - 8"	2
15	1674894	Nut .375 - 16 Keps	2	72	1674958	Wheel Ass'y. - 10"	2
16	1675010	Nut #10 - 32 Keps	16	73	1674968	Zone Restart Cable	1
17	1674890	Wing Nut	2	74	1674967	Traction Control Cable	1
18	1674896	Nut .312 - 18 Keps	5	75	1674969	Throttle Control	1
19	1674291	Nut .250 - 20 Keps	3	76	1674964	Handle - Upper	1
20	1675015	1" Jam Nut	2	77	1674980	Support Hub & Brg. Ass'y.	2
21	1674979	Key - Drive	2	78	1674990	Deck - 21"	1
22	1674885	Shoulder Bolt .375 - 16 x 1.00	2	79	1674986	Dust Cover - L.H.	1
23	1675005	V-Belt	1	80	1674985	Dust Cover - R.H.	1
24	1675018	Retaining Ring	1	81	921958	Capscrew, Hex HD. .250 - 20 x .50	1
25	1674976	Drive Pulley	1	82	920352	Capscrew, Hex HD. .375 - 24 x 1.250	1
26	1674981	Drive Pulley	1	83	927618	Bolt, Carriage .250 - 20 x .50	2
27	1674991	Pop Rivet	3	84	923333	Bolt, Carriage .250 - 20 x .625	6
28	1674957	Blade - 21"	1	85	917452	Screw #10 - 32 x .50	1
29	1674988	Lug - Handle - L.H.	1	86	921965	Capscrew, Hex HD. .375 - 16 x .750	2
30	1674987	Lug - Handle - R.H.	1	87	931333	Bolt, Carriage .312 - 18 x .750	6
31	1674995	Attaching Bracket	1	88	925205	Capscrew, Hex HD. .312 - 18 x .625	2
32	1675009	Brkt. - Attaching	1	89	921963	Capscrew, Hex HD. .250 - 20 x 2.00	1
33	1674841	Brkt. - Bail Stop	1	90	921982	Capscrew, Hex HD. .250 - 20 x 1.750	1
34	1674960	Plate - Rear - R.H.	1	91	918148	Screw #10 - 32 x .625	16
35	1674961	Plate - Rear - L.H.	1	92	916965	Lockwasher .375	1
36	1675016	Retainer .250	1	93	917377	Flatwasher .250	4
37	1674835	Knob - Red	4	94	923358	Nut, Lock .250 - 20	7
38	1674888	Lever	2	95	916001	Roll Pin .187 x 1.00	2
39	1674963	Lever	2	96	910224	Key, Woodruff .156 x .625	1
40	1674973	Bail Lever	1	97	918451	Pin, Cotter .125 x .750	3
41	1674886	Spring	1	98	923747	Cable Tie	2
42	1674998	Spring Door	1	99	1676283	Idler Pulley Half	2
43	1674998	Drive Spring	1	100	1676285	Idler Bracket	
44	1674984	Idler Return Spring	1				
45	1674962	Spring	2		1675003	Decal - Engine Shroud	
46	1674831	Retainer Plate	1		1674994	Decal - Model	
47	1674887	Plate	2		1675001	Decal - 21"	
48	1675006	Hubcap	4		1674970	Decal - Clutch	
49	1674971	Handle - Lower	1		1667016	Decal - Danger	
50	1674983	Idler Bracket Bushing	1		1674865	Decal - Start & Stop	
51	1675000	Shroud - Engine	1		1674862	Decal - Caution	
52	1674966	Spacer - Clutch Handle	2		1674989	Decal - Caution	
53	1674997	Rear Door Hinge	1		1674829	Decal - Simplicity	
54	1675007	Support Rod	1				
55	1674848	Rope Guide	2				
56	1674992	Rear Door	1				
57	1674993	Drag Pan - 20"	1				



**Operator's  
Manual  
Model  
1321PPE**

**Walk-Behind  
Lawnmower**



5 HP, 21" Cutting Width

MFG. NO. 1691001

***Simplicity***®





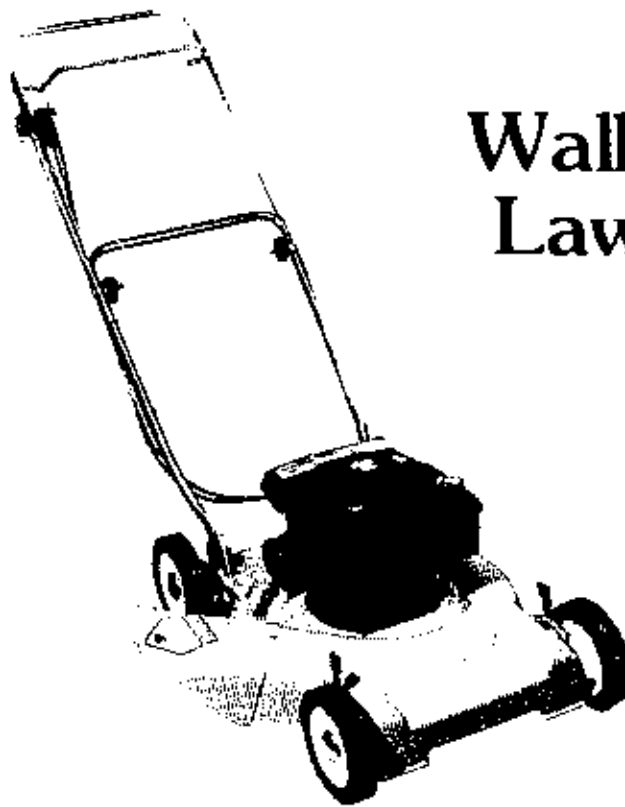
# Repair Parts List

## Mfg. No. 1691001

Ref. No.	Part No.	Description	No. Req.	Ref. No.	Part No.	Description	No. Req.
1	1674893	Screw .375 - 16 x 1.00 Ind. Hex Hd.	3	58	1674978	Drive Gear - L.H.	1
2	1674972	Saddle Bolt .312 - 18 x .750	2	59	1674977	Drive Gear - R.H.	1
3	1675021	Screw .250 - 20 x .750	1	60	1675004	Belt Cover	1
4	1674849	J-Bolt	1	61	1674965	Clutch Handle	1
5	1675023	Screw .250 - 20 x 1.250	1	62	1675008	Handle	1
6	1675696	Starter Cable Assembly	1	63	1674975	Axle	1
7	1675002	Screws - Engine Shroud	4	64	1675011	Top - Catcher	1
8	153072	Washer	8	65	1675012	Bottom - Catcher	1
9	1675014	Washer	3	66	1675013	Back - Catcher	1
10	1675019	Washer	6	68	1676781	Blade Adaptor	1
11	1675017	Washer	2	69	1674889	Plate & Pin	2
12	1675024	Washer	1	70	1674833	Height Adj. Ass'y.	
13	1675022	Washer	1	71	1674959	Wheel Ass'y. - 8"	2
14	1675020	Washer	2	72	1674958	Wheel Ass'y. - 10"	2
15	1674894	Nut .375 - 16 Keps	2	73	1674968	Zone Restart Cable	1
16	1675010	Nut #10 - 32 Keps	16	74	1674967	Traction Control Cable	1
17	1674890	Wing Nut	2	75	1674969	Throttle Control	1
18	1674896	Nut .312 - 18 Keps	5	76	1675691	Handle - Upper	1
19	1674291	Nut .250 - 20 Keps	3	77	1674980	Support Hub & Brg. Ass'y.	2
20	1675015	1" Jam Nut -	2	78	1674990	Deck - 21"	1
21	1674979	Key - Drive	2	79	1674986	Dust Cover - L.H.	1
22	1674885	Shoulder Bolt .375 - 16 x 1.00	2	80	1674985	Dust Cover - R.H.	1
23	1675005	V-Bolt	1	81	921958	Capscrew, Hex HD. .250 - 20 x .50	1
24	1675018	Retaining Ring	1	82	920352	Capscrew, Hex HD. .375 - 24 x 1.250	1
25	1674976	Driven Pulley	1	83	927618	Bolt, Carriage .250 - 20 x .50	2
26	1674981	Drive Pulley	1	84	923333	Bolt, Carriage .250 - 20 x .625	6
27	1674991	Pop Rivet	3	85	917452	Screw #10 - 32 x .50	1
28	1674957	Blade - 21"	1	86	921965	Capscrew, Hex HD. .375 - 16 x .750	2
29	1674988	Lug - Handle - L.H.	1	87	931333	Bolt, Carriage .312 - 18 x .750	6
30	1674987	Lug - Handle - R.H.	1	88	925205	Capscrew, Hex HD. .312 - 18 x .625	2
31	1674995	Attaching Bracket	1	89	921963	Capscrew, Hex HD. .250 - 20 x 2.00	1
32	1675009	Brkt. - Attaching	1	90	921962	Capscrew, Hex HD. .250 - 20 x 1.750	1
33	1674841	Brkt. - Bail Stop	1	91	918148	Screw #10 - 32 x .625	16
34	1674960	Plate - Rear - R.H.	1	92	916965	Lockwasher .375	1
35	1674961	Plate - Rear - L.H.	1	93	917377	Flatwasher .250	4
36	1675701	Battery Charger	1	94	923358	Nut, Lock .250 - 20	7
37	1674835	Knob - Red	4	95	916001	Roll Pin .187 x 1.00	2
38	1674888	Lever	2	96	910224	Key, Woodruff .156 x .625	1
39	1674963	Lever	2	97	918451	Pin, Cotter .125 x .750	3
40	1674973	Bail Lever	1	98	923747	Cable Tie	2
41	1674886	Spring	1	99	1676283	Idler Pulley Hall	2
42	1674996	Spring Door	1	100	1675695	Switch	1
43	1674998	Drive Spring	1	101	1675693	Switch Bracket	1
44	1674984	Idler Return Spring	1	102	1675700	Battery	1
45	1674962	Spring	2	103	1675702	Battery Bracket	1
46	1674831	Retainer Plate	1	104	1676280	Washer	1
47	1674887	Plate	2	105	1676281	Locknut 3/8 - 16	1
48	1675006	Hubcap	4	106	1676282	Idler Bolt	1
49	1674971	Handle - Lower	1	107	1676284	Belt Guide Brk't	1
50	1674983	Idler Bracket Bushing	1	108	1676285	Idler Brk't	1
51	1675000	Shroud - Engine	1		1675003	Decal - Engine Shroud	
52	1674966	Spacer - Clutch Handle	2		1675276	Decal - 5 HP	
53	1674997	Rear Door Hinge	1		1675001	Decal - 21"	
54	1675007	Support Rod	1		1674970	Decal - Clutch	
55	1674848	Rope Guide	2		1667016	Decal - Danger	
56	1674992	Rear Door	1		1674865	Decal - Start & Stop	
57	1674993	Drag Pan - 20"	1		1674862	Decal - Caution	
					1674989	Decal - Caution	
					1674829	Decal - Simplicity	



**Operator's  
Manual  
Model  
1319PS**



**Walk-Behind  
Lawnmower**

3.5 HP, 19" Cutting Width  
MFG. NO. 1691098

***Simplicity***®



## PARTS LIST FOR MODEL 1319PS (1691098)

Ref. No.	Part No.	Qty.	Description
1	1677778	1	Deck
2	1677780	1	Extension - Discharge Chute
3	1677781	1	Guard - Blade
4	1664040	1	Blade - 19"
5	1677784	4	Wheel 7 x 1.50
6	1677786	1	Cable - Engine/Blade Control
7	1700808	1	Control - Throttle, with cable
8	1677790	1	Handle - Lower
9	1677791	1	Handle - Upper
10	1677792	1	Washer - Blade
11	1677793	2	Clip - Trailing Shield
12	1677794	1	Bracket - Handle RH
13	1677795	1	Bracket - Handle LH
14	1677798	1	Ball - Engine/Blade Control
15	1677801	4	Cap - Hub
16	1677800	2	Cable Tie
17	1677802	4	Tip - Adjustor Lever
18	1677803	1	Shield - Trailing
19	1664060	1	Adapter - Blade
20	1677959	1	Decal - Danger, Discharge Chute
21	1677977	1	Decal - Simplicity
22	1700809	1	Decal - Blade Warning
23	1677962	1	Decal - 3.5HP
24	1668701	4	Bolt - Wheel
25	1664070	3	Washer - Curved 5/16
26	910224	1	Key - Woodruff #6
27	1677808	1	Clamp - Throttle Cable
28	1677805	2	Screw - Self Tap #10 x 5/8
29	1654998	1	Screw - Hex #10-32 x 3/8
30	1677804	2	Bolt - Curved Head 5/16-18 x 2 1/4
31	1677809	1	Stop - Rope
32	1677810	1	Bolt - Blade w/Lockwasher
33	1677811	1	Eyebolt - Rope Guide
34	1923358	4	Nut-Hex, 1/4-20 Lock
35	1664066	4	Bolt - Shoulder 3/8-16
36	1677813	2	Plate - Height Adjuster RH Rear, LH Front
37	1677814	2	Plate - Height Adjuster LH Rear, RH Front
38	1960253	3	Bolt - Carriage #10-24 x 1/2
39	1664067	3	Nut - Hex #10-24 Keps
40	1677815	2	Nut - Hex #10-24 Nylok
41	1927187	3	Bolt - Self Tap 3/8-16 x 7/8
42	1925003	4	Bolt - Self Tap 1/4-20 x 1/2
43	1933737	2	Bolt - Hex #10-24 x 1/2
44	1923300	2	Washer - Shakeproof 5/16
45	1917377	4	Washer - Flat 1/4
46	1664071	2	Baffle - Deck
47	1960074	2	Cotter - Hairpin
48	1928372	2	Nut - Hex 1/4-20 Keps
49	930651	4	Nut - Hex 3/8-16 Lock
50	1677816	4	Washer - Belleville
51	1677817	2	Knob - Handle Retaining
52	1677963	1	Decal - Starting Instructions
53	1677818	3	Rivet - Pop 1/4 Steel
54	1923341	4	Bolt-Hex 1/4-20 x 3/4
55	1664080	4	Lever - Height Adjustment
56	1664081	4	Arm - Wheel
57	1678060	1	Boot-Spark Plug
58	1677873	2	Cap-Plastic, Bolt End
59	1678147	1	Decal-Warning, Chute Deflector in Place
60		1	Decal - OPEL (Not Serviced)
61		1	Decal - Model Number (Not Serviced)

**INSTRUCTIONS FOR ORDERING PARTS...MOWER PARTS can be ordered from the dealer from whom your mower was purchased. Be sure to specify the part number, not reference number, and the description of each required item-also, the model and serial number of your mower.**



# Operator's Manual

Model  
1321PP

Walk-Behind  
Self-Propelled  
Lawnmower



5 HP, 21" Cutting Width

MFG. NO. 1691099 and  
1691261

# **Simplicity**





# PARTS LIST FOR MODEL 1321PP (1691099) & (1691261)

Ref No.	Part No.	Qty.	Description	Ref No.	Part No.	Qty.	Description
1	1677779	1	Deck	63	1924940	1	Washer - Flat, 3/8 ID, 7/8 OD
2	1677876	1	Bracket - Drive Support	64	1677888	4	Washer - Wheel Retaining
3	1677847	1	Bracket - Idler Mounting	65	1654998	1	Bolt - Hex #10-32 x 1/4
4	1664041	1	Blade - 21"	66	1931839	1	Screw - Self Tap #6-20 x 1/2
5	1677785	2	Wheel - Front, 8 x 1.75	67	1674238	1	Nut - Hex #8-32 Nylok
6	1677788	1	Control - Throttle w/Cable	68	1677804	2	Bolt - Curved Head 5/16-18 x 2 1/4
	*1701005	1	Control - Throttle w/Cable	69	1677809	1	Stop - Rope
7	1677789	1	Cable - Engine/Blade Control	70	1922110	2	Bolt - Carriage 3/8-16 x 3/4
8	1677824	1	Cable - Wheel Drive Control	71	1677843	2	Washer - Plastic, Front Adjuster
9	1677825	1	Handle - Lower	72	1677844	2	Washer - Spring, Front Adjuster
10	1677826	1	Handle - Upper	73	*1700875	1	Bolt - Blade 3/8-24 x 1 1/4
11	1677839	2	Plate - Back, Front Adjuster		1677810	1	Bolt-Blade w/Washer 3/8-24 x 1
12	1677840	2	Lever - Setting, Front Adjuster	74	1677881	8	Washer - Thrust 1/2 ID
13	1677841	2	Lever, Wheel, Front	75	1677811	1	Eyebolt - Rope Guide
14	1677964	2	Lever, Setting, Rear Adjuster	76	1677863	1	Spacer - Catcher Latch
15	1677965	2	Plate - Back, Rear Adjuster	77	1921958	4	Bolt - Hex 1/4-20 x 1/2
16	1677966	1	Lever - Wheel w/Pin Rear RH	78	1923341	4	Bolt - Self Tap 1/4-20 x 3/4
17	1677967	1	Lever - Wheel w/Pin Rear LH	79	1677845	2	Bolt - Shoulder, Front Adjuster
18	1677827	1	Baffle - Front	80	1677979	4	Bolt - Hex, 3/8-16 x 1/2
19	1677792	1	Washer - Blade	81	1677980	2	Ring - Retainer 7/8
20	1677796	1	Bracket - Handle RH	82	1677981	6	Washer - Spring, Rear Adjuster
21	1677797	1	Bracket - Handle LH	83	1677982	1	Eyebolt - Idler Cable
22	1677828	2	Hook - Grass Catcher	84	1677983	2	Nut 1/4-20 Snap in
23	1677877	2	Bracket - Drive Support	85	1677850	1	Pulley - Idler
24	*1701006	1	Strip - Backing	86	1677984	2	Bearing - Drive Shaft
	1677829	1	Strip-Backing	87	1677851	1	Pulley - Idler
25	1677848	1	Arm - Idler	88	1677882	2	Pulley - Drive
26	1677799	1	Ball - Engine/Blade Control	89	1677883	2	Pawl - Drive
27	1677968	1	Latch - Grass Catcher	90	1677884	1	Belt - Drive V
28	1677878	1	Shaft - Drive	91	1677852	1	Pulley - Idler
29	1677969	2	Sleeve - Stepped, Rear Adjuster	92	1677885	1	Pinion - Wheel Drive LH
30	1677801	4	Cap - Wheel Hub	93	1677886	1	Pinion - Wheel Drive RH
31	1677873	2	Cap - Bolt End, Plastic	94	1919438	4	Nut - Hex 5/16-18 Nylok
32	1677800	4	Cable Tie	95	1921971	3	Bolt - Hex 3/8-16 x 1-3/4
33	1677970	2	Tip - Adjuster Lever, Rear	96	1931333	4	Bolt - Carriage 5/16-18 x 3/4
34	1677842	2	Tip - Adjuster Lever, Front	97	1677853	1	Spacer - Idler
35	1677832	1	Cover - Belt	98	1921959	8	Bolt - Hex 1/4-20 x 5/8
36	1677833	1	Control - Wheel Drive	99	1922837	1	Bolt - Hex 1/4-20 x 1 1/2
37	1677834	1	Shield - Trailing	100	1916622	7	Nut - 1/4-20
38	1677859	1	Knob - Catcher Latch	101	1677815	3	Nut - Hex #10-24 Nylok
39	1677836	1	Shroud - Engine	102	1927187	3	Bolt - Hex 3/8-16 x 7/8
40	*1701007	2	Cover - Dust, Rear Wheel	103	1933737	3	Bolt - Hex #10-24 x 1/2
	1677971	2	Cover-Dust, Rear Wheel	104	1677985	1	Screw - Pan Head #8-32 x 5/8
41	1677838	2	Adjuster - Height, Complete, Front	105	1677890	1	Washer - Curved
42	1664060	1	Adapter - Blade	106	1923300	2	Washer - Shakeproof 5/16
43	1677972	1	Door - Catcher Opening	107	106787	2	Collar - Hairpin
44	1677866	1	Baffle Assembly, Rear	108	1928372	3	Nut - Hex 1/4-20 Keps
45	1677879	1	Adjuster - Height, Complete, LH Rear	109	1930641	6	Nut - Hex 1/4-20 Whiz
46	1677880	1	Adjuster - Height, Complete, RH Rear	110	1930651	7	Nut - Hex 3/8-16 Lock
47	1677887	2	Wheel - Rear w/Gear	111	916001	2	Pin - Roll 3/16 x 1
48	1677861	1	Spring - Torsion, Catcher Latch	112	1921960	1	Bolt - Hex 1/4-20 x 1
49	1677899	1	Decal - Drive Control Instructions	113	1917377	3	Washer - Flat 1/4
50	1677973	1	Decal - Danger, Discharge Chute	114	1918266	2	Washer - Flat 3/8
51	1677974	1	Decal - Caution, Catcher Door	115	1923358	1	Nut - Hex 1/4-20 Lock
52	1677975	1	Decal - Warning, Blade	116	1917421	4	Nut - Hex Jam 3/8-16
	*1700809	1	Decal - Warning, Blade	117	1677816	2	Washer - Belleville
53	1677963	1	Decal - Starting Instructions	118	1677817	2	Knob - Handle Retaining
54	1677976	1	Decal - 21" Rear Drive	119	1677986	6	Ring - Retainer
55	1677977	1	Decal - Simplicity	120	1678050	1	Sleeve - Idler Cable
56	1677978	1	Decal - 5.0 HP	121	1678205	2	Ring - Retainer, Dust Shield
57	1923333	2	Bolt - Carriage 1/4 - 20 x 5/8	122	1678206	3	Retainer - Engine Shroud
58	1664070	4	Washer - Curved 5/16	123	1925003	3	Bolt - Hex 1/4-20 x 1/2 TD FM
59	910224	1	Key - Woodruff #6	124		1	Decal - Model Number (Not Serviced)
60	1677808	1	Clamp - Throttle Cable	125		1	Decal - OPEI (Not Serviced)
61	1677805	5	Screw - Hex Slotted #10 x 5/8	126	1916965	1	Lockwasher-3/8 Split HD
62	1677806	2	Bolt - Wheel, Front				

INSTRUCTIONS FOR ORDERING PARTS...MOWER PARTS can be ordered from the dealer from whom your mower was purchased. Be sure to specify the part number, not reference number, and the description of each required item - also, the model and serial number of your mower.

**Operator's  
Manual  
Model  
1321PPE**

**Walk-Behind  
Self-Propelled  
Lawnmower**



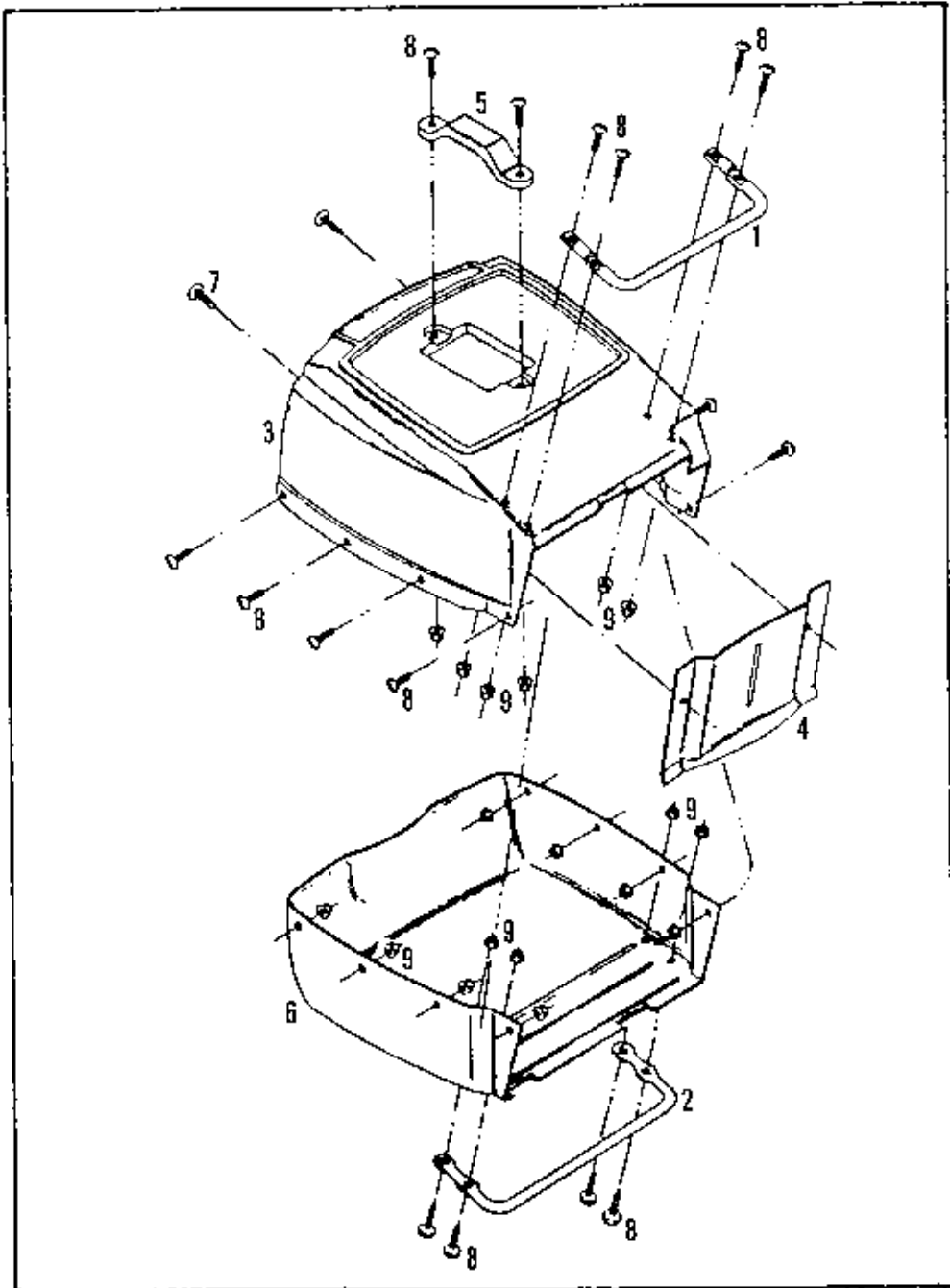
5 HP, 21" Cutting Width

MFG. NO. 1691103 and  
1691262

***Simplicity***®

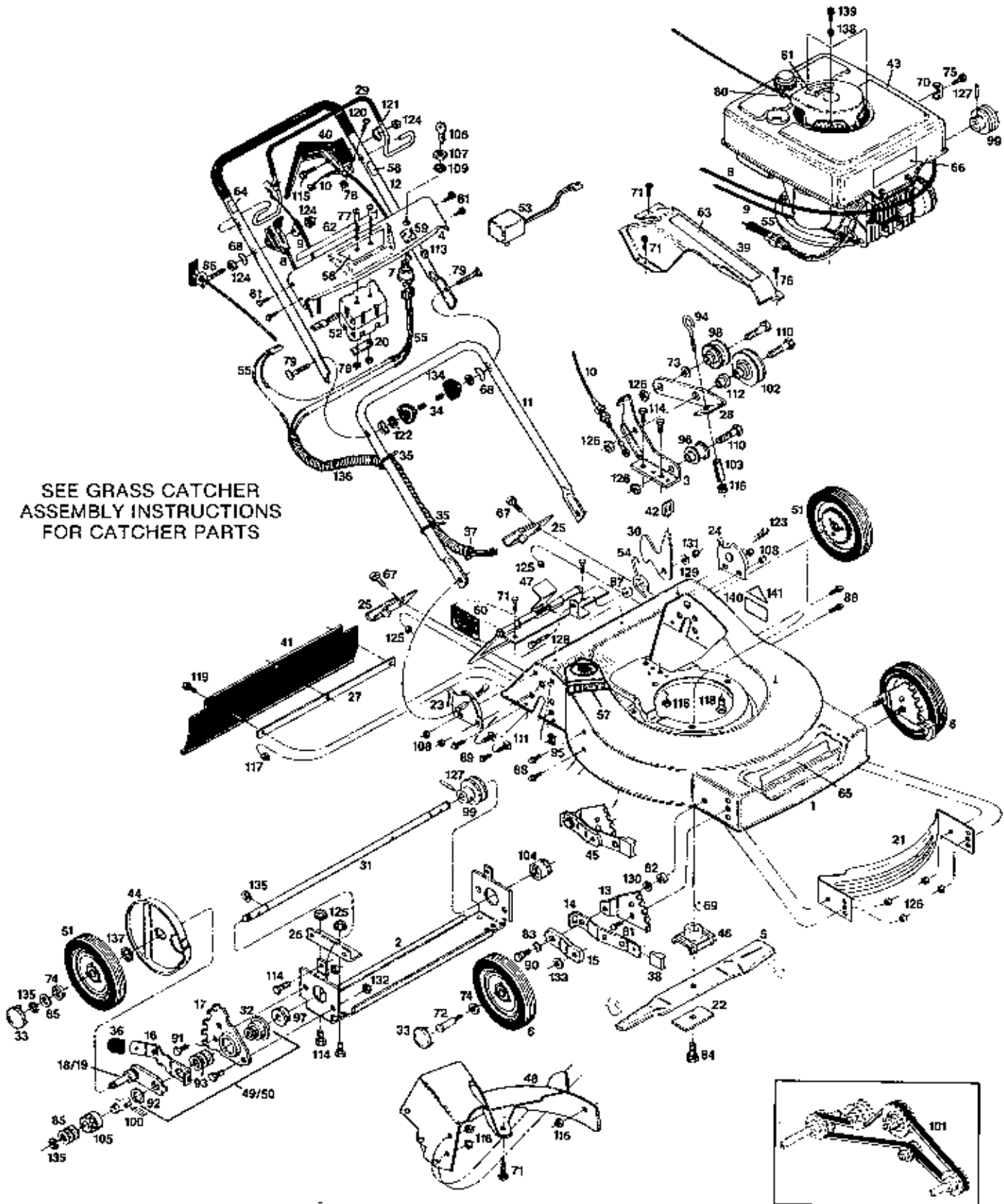
**GRASS CATCHER - MFG. NO. 1691149**

**For 1321PP (Mfg. No. 1691262) &  
1321 PPE (Mfg. No. 1691103)**



Ref No.	Part No.	Description	Qty.
1	1678046	Frame-Upper	1
2	1678047	Frame-Lower	1
3	1677830	Top-Catcher	1
4	1677831	Baffle-Catcher	1
5	1677866	Handle-Catcher	1
6	1677835	Bottom-Catcher	1
7	1678048	Fastener-Plastic	2
8	1678049	Screw-Slotted 1/4-20 x 5/8	18
9	1930641	Nut-Hex 1/4-20 Lock	18

# PARTS ILLUSTRATION FOR MODEL 1321PPE (1691103)



# PARTS LIST FOR MODEL 1321PPE (1691103) & (1691262)

Ref No.	Part No.	Qty.	Description	Ref No.	Part No.	Qty.	Description
1	1677779	1	Deck	71	1677805	9	Screw-Hex slotted #10 x 5/8
2	1677876	1	Bracket-Drive Support	72	1677806	2	Bolt-Wheel, Front
3	1677847	1	Bracket-Idler Mounting	73	1924940	1	Washer-Flat, 3/8 ID, 7/8 OD
4	1677893	1	Plate-Handle	74	1677888	4	Washer-Wheel Retaining
5	1664041	1	Blade-21"	75	1654998	1	Bolt-Hex #10-32 x 3/8
6	1677785	2	Wheel-Front, 8 x 1.75	76	1931839	1	Screw-Self Tap #6-20 x 1/2
7	1677894	1	Switch-Start	77	1677985	2	Screw-Machine #8-32 x 3 1/4
8	1677788	1	Control-Throttle w/Cable	78	1674238	3	Nut-Hex #8-32 Nylok
	*1701005	1	Control-Throttle w/Cable	79	1677804	3	Bolt-Curved Head 5/16-18 x 2 1/4
9	1677789	1	Cable-Engine/Blade Control	80	1677809	1	Stop-Rope
10	1677824	1	Cable-Wheel Drive Control	81	1922110	2	Bolt-Carriage 3/8-16 x 3/4
11	1677825	1	Handle-Lower	82	1677843	2	Washer-Plastic, Front Adjuster
12	1678044	1	Handle-Upper	83	1677844	2	Washer-Spring, Front Adjuster
13	1677839	2	Plate-Back, Front Adjuster	84	1677810	1	Bolt-Blade w/Washer 3/8-24 x 1 1/4
14	1677840	2	Lever-Setting, Front Adjuster		*1700875	1	Bolt-Blade 3/8-24 x 1 1/4
15	1677841	2	Lever, Wheel, Front	85	1677881	8	Washer-Thrust 1/2 ID
16	1677964	2	Lever, Setting, Rear Adjuster	86	1677811	1	EyeBolt-Rope Guide
17	1677965	2	Plate-Back, Rear Adjuster	87	1677863	1	Spacer-Catcher Latch
18	1677966	1	Lever-Wheel w/Pin Rear RH	88	1921958	4	Bolt-Hex 1/4-20 x 1/2
19	1677967	1	Lever-Wheel w/Pin Rear LH	89	1923341	4	Bolt-Self Tap 1/4-20 x 3/4
20	1677988	1	Plate-Reinforcing, Battery	90	1677845	2	Bolt-Shoulder, Front Adjuster
21	1677827	1	Baffle-Front	91	1677979	4	Bolt-Hex, 3/8-16 x 1/2
22	1677792	1	Washer-Blade	92	1677980	2	Ring-Retainer 7/8
23	1677796	1	Bracket-Handle RH	93	1677981	6	Washer-Spring, Rear Adjuster
24	1677797	1	Bracket-Handle LH	94	1677982	1	EyeBolt-Idler Cable
25	1677828	2	Hook-Grass Catcher	95	1677983	2	Nut 1/4-20 Snap in
26	1677877	2	Bracket-Drive Support	96	1677850	1	Pulley-Idler
27	1677829	1	Strip-Backing	97	1677984	2	Bearing-Drive Shaft
	*1701006	1	Strip-Backing	98	1677851	1	Pulley-Idler
28	1677848	1	Arm-Idler	99	1677882	2	Pulley-Drive
29	1677799	1	Ball-Engine/Blade Control	100	1677883	2	Pawl-Drive
30	1677968	1	Latch-Grass Catcher	101	1677884	1	Belt-Drive V
31	1677878	1	Shaft-Drive	102	1677852	1	Pulley-Idler
32	1677969	2	Sleeve-Stepped, Rear Adjuster	103	1678050	1	Sleeve-Idler Cable
33	1677801	4	Cap-Wheel Hub	104	1677885	1	Pinion-Wheel Drive LH
34	1677873	2	Cap-Bolt End, Plastic	105	1677886	1	Pinion-Wheel Drive RH
35	1677800	4	Cable Tie	106	1677996	1	Key-Start Switch
36	1677970	2	Tip-Adjuster Lever, Rear	107	1677997	1	Nut-Hex 5/8-32
37	1677990	2	Clip-Harness Retainer	108	1919438	4	Nut-Hex 5/16-18 Nylok
38	1677842	2	Tip-Adjuster Lever, Front	109	1917373	1	Washer-Lock 5/8
39	1677832	1	Cover-Bell	110	1921971	3	Bolt-Hex 3/8-16 x 1 3/4
40	1677833	1	Control-Wheel Drive	111	1931333	4	Bolt-Carriage 5/16-18 x 3/4
41	1677834	1	Shield-Trailing	112	1677853	1	Spacer-Idler
42	1677859	1	Knob-Catcher Latch	113	1677998	2	Clip-Innerman
43	1677836	1	Shroud-Engine	114	1921959	8	Bolt-Hex 1/4-20 x 5/8
44	1677971	2	Cover-Dust, Rear Wheel	115	1922837	1	Bolt-Hex 1/4-20 x 1 1/2
	*1701007	2	Cover-Dust, Rear Wheel	116	1916622	6	Nut-1/4-20
45	1677838	2	Adjuster-Height, Complete, Front	117	1677815	3	Nut-Hex #10-24 Nylok
46	1664060	1	Adapter-Blade	118	1927187	3	Bolt-Hex 3/8-16 x 7/8
47	1677972	1	Door-Catcher Opening	119	1933737	3	Bolt-Hex #10-24 x 1/2
48	1677868	1	Baffle Assembly, Rear	120	1677985	1	Screw-Pan Head #8-32 x 5/8
49	1677879	1	Adjuster-Height, Complete, LH Rear	121	1677890	1	Washer-Curved
50	1677880	1	Adjuster-Height, Complete, RH Rear	122	1923300	2	Washer-Shakeproof 5/16
51	1677867	2	Wheel-Rear w/Gear	123	106787	2	Cotter-Hairpin
52	1677961	1	Battery-12 Volt	124	1926372	3	Nut-Hex 1/4-20 Keys
53	1677992	1	Charger-Battery	125	1930641	6	Nut-Hex 1/4-20 Whiz
54	1677861	1	Spring-Torsion, Catcher Latch	126	1930651	7	Nut-Hex 3/8-16 Lock
55	1677993	1	Harness-Wiring	127	916001	2	Pin-Roll 3/16 x 1
56	1677899	1	Decal-Drive Control Instructions	128	1921960	1	Bolt-Hex 1/4-20 x 1
57	1667016	1	Decal-Danger, Discharge Chute	129	1917377	1	Washer-Flat 1/4
58	1677900	1	Decal-Electric Start	130	1918266	2	Washer-Flat 3/8
59	1677901	1	Decal-Ignition Switch	131	1923358	1	Nut-Hex 1/4-20 Lock
60	1677974	1	Decal-Caution, Catcher Door	132	1917421	4	Nut-Hex Jam 3/8-16
61	1677975	1	Decal-Warning, Blade	133	1677816	2	Washer-Belleville
	*1700809	1	Decal-Warning, Blade	134	1677817	2	Knob-Handle Retaining
62	1677902	1	Decal-Starting Instructions	135	1677986	6	Ring-Retainer
63	1677976	1	Decal-21" Rear Drive	136	1677999	1	Wrapping-Wire Harness
64	1677903	1	Decal-Auxiliary Start	137	1678205	2	Ring Retainer, Dust Shield
65	1677977	1	Decal-Simplicity	138	1678206	3	Retainer-Engine Shroud
66	1677978	1	Decal-5.0 HP	139	1925003	3	Bolt-Hex 1/4-20 x 1/2 TD FM
67	1923333	2	Bolt-Carriage 1/4-20 x 5/8	140		1	Decal-Model Number (Not Serviced)
68	1664070	4	Washer-Curved 5/16	141		1	Decal-OPEL (Not Serviced)
69	910224	1	Key-Woodruff #6	142	1916905	1	Lockwasher-3/8 Split HD
70	1677808	1	Clamp-Throttle Cable	143	1701094	1	Bolt-1/4-20 x 3/8 Shaved Head

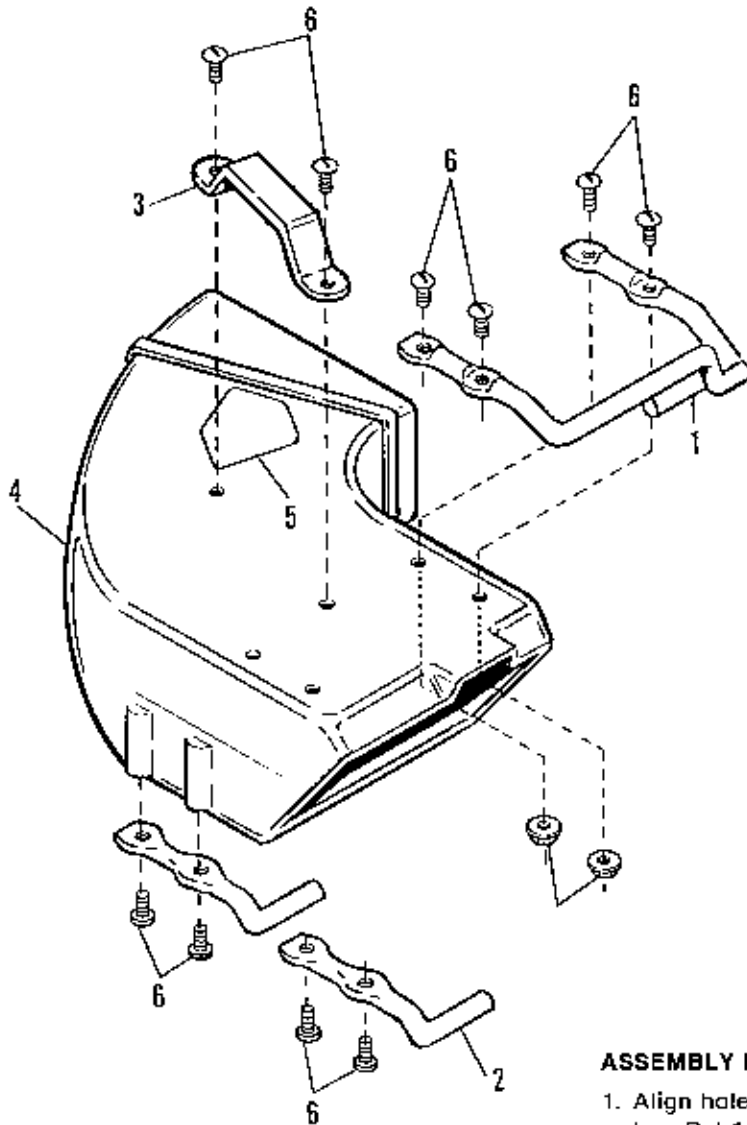
INSTRUCTIONS FOR ORDERING PARTS...MOWER PARTS can be ordered from the dealer from whom your mower was purchased. Be sure to specify the part number, ref reference number, and the description of each required item - also, the model and serial number of your mower.

\*MFG. No. 1691262 ONLY

# Repair Parts List Mfg. No. 1691149

## REAR BAGGER SIDE DISCHARGE CHUTE

Ref. No.	Part No.	Qty.	Description
1	1702473		FRAME, Upper Chute
2	1702474		FRAME, Lower Chute
3	1702475		HANDLE, Chute
4	1702476		CHUTE, Rear Discharge
5	1702477		DECAL, Danger
6	1700819		SCREW, Slotted Truss Hd., 1/4-20x 5/8
7	1960294		LOCKNUT, 1/4-20 Flanged Whiz

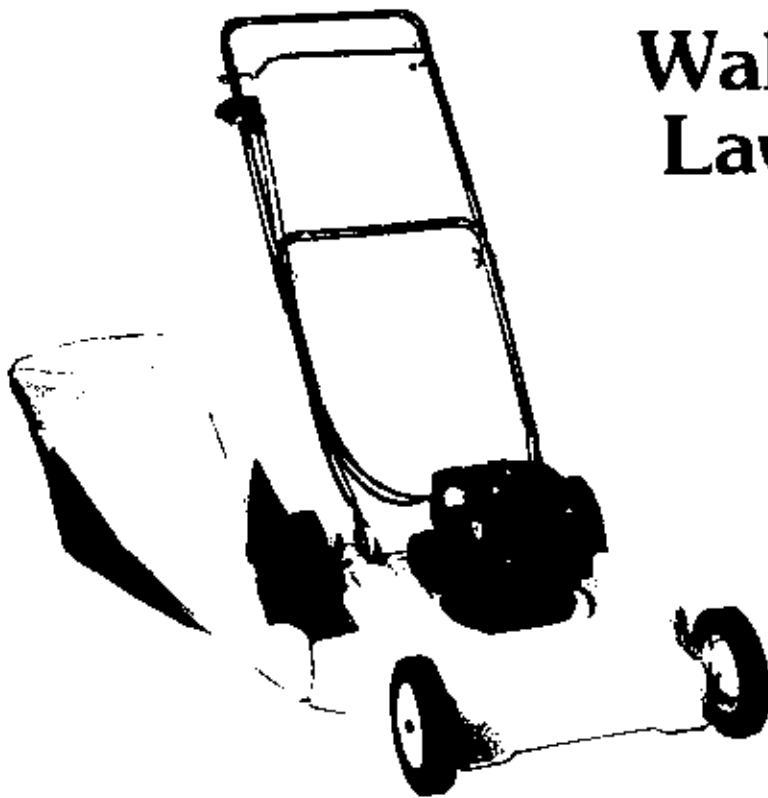


### ASSEMBLY INSTRUCTIONS

1. Align holes in upper chute frame (Ref. No. 1) with holes in chute top. Put 1/4-20 screws through holes, start locknuts, and tighten screws. NOTE: Frame goes on outside of chute.
2. Align holes in lower chute frame (Ref. No. 2) with holes in catcher bottom. Put 1/4-20 screws through holes, start locknuts, and tighten screws. NOTE: Frames go on outside of chute.
3. Align holes in handle (Ref. No. 3) with holes in chute top. Put 1/4-20 screws through holes, start locknuts, and tighten screws. Chute is now completely assembled. Follow instructions for attaching and removing grass catcher.

**Operator's  
Manual  
Model  
1322PS**

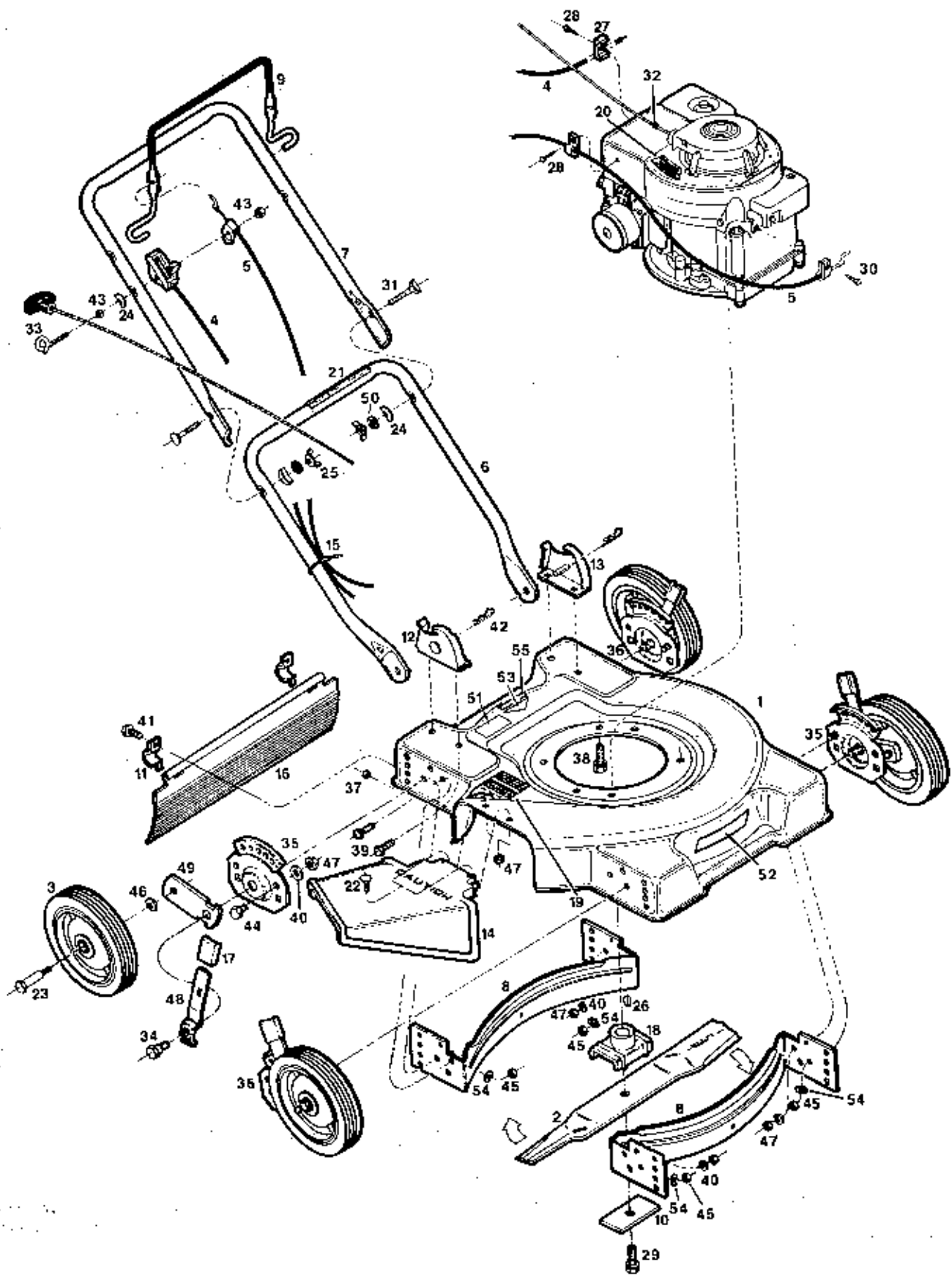
**Walk-Behind  
Lawnmower**



3.5 HP, 22" Cutting Width  
MFG. NO. 1691191

***Simplicity***®

# Parts Illustration for Simplicity 1322PS (1691191)





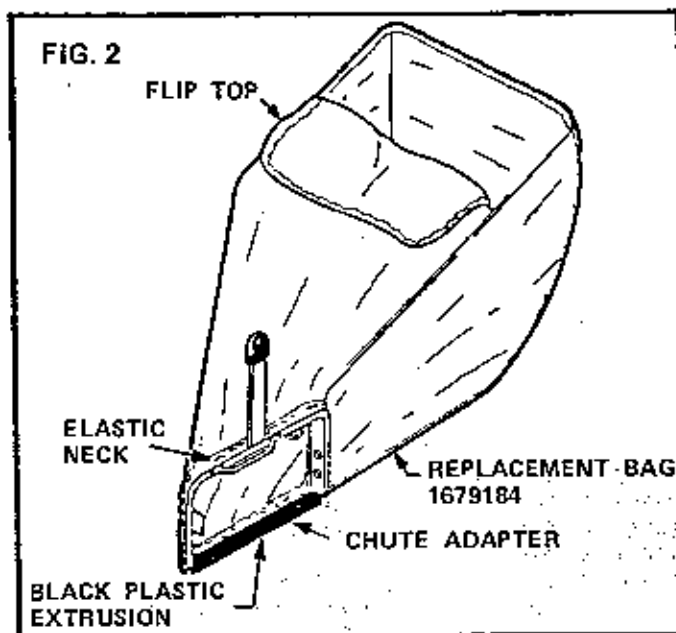
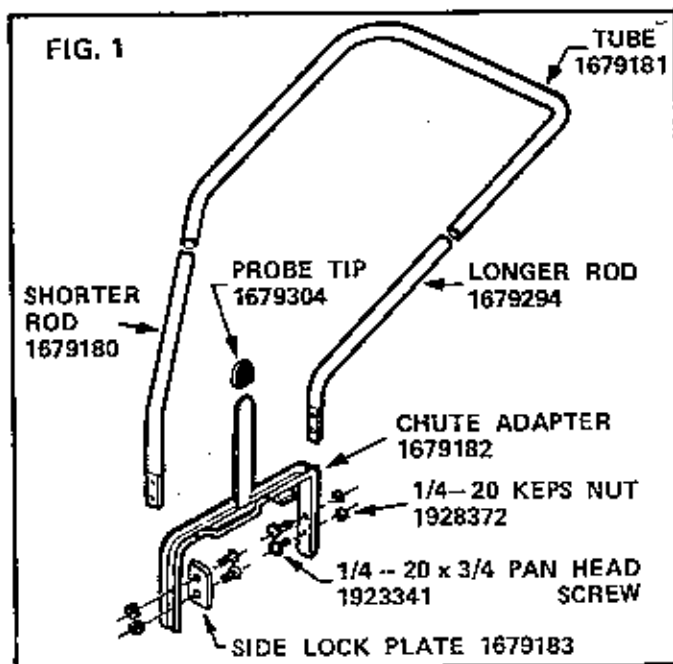
## Parts List for Simplicity 1322PS (1691191)

Ref No.	Part No.	Qty.	Description
1	1679122	1	Deck-22"
2	1679123	1	Blade-22"
3	1679124	4	Wheel - 8x1.75
4	1679125	1	Control-Throttle with Cable
5	1677786	1	Cable-Engine/Blade Control
6	1677790	1	Handle-Lower
7	1679126	1	Handle-Upper
8	1679127	2	Baffle-Deck
9	1677798	1	Bail-Engine/Blade Control
10	1677792	1	Washer-Blade
11	1677793	2	Clip-Trailing Shield
12	1677794	1	Bracket-Handle, RH
13	1677795	1	Bracket-Handle, LH
14	1679128	1	Deflector-Discharge Chute
15	1677800	1	Cable Tie
16	1679129	1	Shield-Trailing, 22"
17	1677802	4	Tip-Adjusting Lever
18	1664060	1	Adapter-Blade
19	1677959	1	Decal-Danger
20	1677975	1	Decal-Blade Warning
21	1677963	1	Decal-Starting Instructions
22	1923333	2	Bolt-Carriage 1/4-20 x 5/8
23	1668701	4	Bolt-Wheel See 1319PS
24	1664070	3	Washer-Curved, 5/16
25	918468	2	Wingnut-5/16-18
26	910224	1	Key-Woodruff #6
27	1677808	1	Clamp-Throttle Cable
28	1677805	2	Screw-Self Tap, #10-5/8
29	1677810	1	Bolt-Blade w/Lockwasher
30	1654998	1	Screw-Hex #10-32 x 3/8
31	1665221	2	Bolt-Curved Head, 5/16-18 x 1-3/4
32	1677809	1	Stop-Rope
33	1677811	1	Eyebolt-Rope Guide
34	1664066	4	Bolt-Shoulder 3/8-16
35	1677813	2	Plate-Adjuster RH Rear, LH Front
36	1677814	2	Plate-Adjuster LH Rear, RH Front
37	933896	2	Nut-Hex #10-24 Nylok
38	1927187	3	Bolt-Hex 3/8-16 x 7/8 Thd. Form
39	1925003	4	Bolt-Self Tap, 1/4-20 x 1/2
40	1917377	4	Washer-Flat 1/4
41	1933737	2	Bolt-Hex #10-24 x 1/2
42	1960074	2	Hitchpin#3
43	1928372	2	Nut-Hex 1/4-20 Keps
44	1923341	4	Bolt-Hex 1/4-20 x 3/4
45	1930651	4	Nut-Hex 3/8-16 Lock
46	1677816	4	Washer-Belleville
47	1923358	6	Nut-Hex 1/4-20 Lock
48	1664080	4	Setting Lever-Height Adjustment
49	1677821	4	Arm-Wheel
50	1923300	2	Washer-Shakeproof 5/16
51		1	Decal-Model Number (Not Serviced)
52	106719	1	Decal-Simplicity, Front
53		1	Decal-OPEI (Not Serviced)
54	919326	4	Washer-Flat 3/8
55		1	Decal-"Meets C.P.S.C. Standards" (Not Serviced)




**INSTRUCTIONS FOR ORDERING PARTS...**MOWER PARTS can be ordered from the dealer from whom your mower was purchased. Be sure to specify the part number, not reference number, and the description of each required item-also, the model and serial number of your mower.

## GRASS CATCHER

For Model 1322PS (Mfg. No. 1691191 only)



**TORQUE SPECIFICATIONS FOR  
STANDARD MACHINE HARDWARE  
TOLERANCE  $\pm 20\%$**




SIZE	SAE GRADE #2		SAE GRADE #5		SAE GRADE #8	
						
8-32	19	In. Lbs.	30	In. Lbs.	41	In. Lbs.
8-36	20	"	31	"	43	"
10-24	27	"	43	"	60	"
10-32	31	"	49	"	68	"
1/4-20	66	"	8	Ft. Lbs	12	Ft. Lbs.
1/4-28	76	"	10	"	14	"
5/16-18	11	Ft. Lbs	17	"	25	"
5/16-24	12	"	19	"	25	"
3/8-16	20	"	30	"	45	"
3/8-24	23	"	35	"	50	"
7/16-14	30	"	50	"	70	"
7/16-20	35	"	55	"	80	"
1/2-13	50	"	75	"	110	"
1/2-20	55	"	90	"	120	"
9/16-12	65	"	110	"	150	"
9/16-18	75	"	120	"	170	"
5/8-11	90	"	150	"	220	"
5/8-18	100	"	180	"	240	"
3/4-10	160	"	260	"	386	"
3/4-16	180	"	300	"	420	"
7/8-9	140	"	400	"	600	"
7/8-14	155	"	440	"	660	"
1-8	220	"	580	"	900	"
1-12	240	"	640	"	1,000	"

**NOTE:**

1. These torque values are to be used for all *Simplicity* hardware excluding: locknuts, self-tapping screws, thread forming screws, sheet metal screws and socket head setscrews.
2. Recommended seating torque values for locknuts:
  - a. For prevailing torque locknuts - use 65% of grade 5 torques.
  - b. For flange whizlock nuts (and screws) - use 135% of grade 5 torques.
3. Unless otherwise noted on assembly drawings all torque values must meet this specification.

**BOLT HEAD MARKING**

**S.A.E. GRADE:**

- 2 
- 5 
- 8 

**Simplicity Manufacturing, Inc.**  
**500 N. Spring Street**  
**P.O. Box 997**  
**Port Washington, WI 53074-0997**

