

**Operator's
Manual
Model
1318PSE**

**Electric
Walk-Behind
Lawnmower**



3 HP, 18" Cutting Width

MFG. NO. 1690906

Simplicity®

IMPORTANT

RULES FOR SAFE OPERATION



THIS SYMBOL POINTS OUT IMPORTANT SAFETY INSTRUCTIONS WHICH, IF NOT FOLLOWED, COULD ENDANGER THE PERSONAL SAFETY AND/OR PROPERTY OF YOURSELF AND OTHERS. READ AND FOLLOW ALL INSTRUCTIONS IN THIS MANUAL BEFORE ATTEMPTING TO OPERATE YOUR LAWNMOWER.



IT IS IMPERATIVE IN OPERATING AND HANDLING THE LAWNMOWER THAT CERTAIN NORMAL PRECAUTIONS BE OBSERVED TO PREVENT THE POSSIBILITY OF INJURY OR DAMAGE.
PLEASE READ THE RULES FOR SAFE OPERATION BEFORE YOU ASSEMBLE OR USE YOUR LAWNMOWER.

CAUTION

THE MOTOR CONTROL ON THIS MOWER IS INSTALLED TO MINIMIZE THE RISK OF BLADE CONTACT INJURY AND IS REQUIRED BY FEDERAL REGULATIONS. DO NOT UNDER ANY CIRCUMSTANCES ATTEMPT TO DEFEAT THE FUNCTION OF THE MOTOR CONTROL.

TRAINING

- NEVER ALLOW CHILDREN TO OPERATE A POWER PRODUCT.
- GIVE COMPLETE AND UNDIVIDED ATTENTION TO THE JOB AT HAND.
- READ THE INSTRUCTION MANUAL CAREFULLY - LEARN THE PROPER USE OF THE PRODUCT.
- USE THE PRODUCT ONLY AS THE MANUFACTURER INTENDED AND AS DESCRIBED IN THE MANUAL.
- KEEP HANDS AND FEET AWAY FROM ALL MOVING PARTS.
- KEEP CHILDREN AWAY - ALL VISITORS SHOULD BE KEPT A SAFE DISTANCE FROM WORK AREA.
- STORE IDLE PRODUCT INDOORS - WHEN NOT IN USE. PRODUCT SHOULD BE STORED INDOORS IN DRY, HIGH OR LOCKED - UP PLACE - OUT OF REACH OF CHILDREN.
- DON'T OVERREACH - KEEP PROPER FOOTING AND BALANCE AT ALL TIMES.
- MAINTAIN PRODUCT WITH CARE - KEEP CUTTING EDGES SHARP AND CLEAN FOR BEST AND SAFEST PERFORMANCE. FOLLOW INSTRUCTIONS FOR LUBRICATING AND CHANGING ACCESSORIES.
- REGARD YOUR PRODUCT AS A PIECE OF POWER EQUIPMENT AND TEACH THIS REGARD TO ALL WHO OPERATE THE EQUIPMENT.
- DO NOT OPERATE PRODUCT AFTER IT HAS BEEN DROPPED OR DAMAGED IN ANY MANNER. RETURN PRODUCT TO NEAREST AUTHORIZED SERVICE FACILITY FOR EXAMINATION AND REPAIR.
- THE USE OF ACCESSORY ATTACHMENTS NOT RECOMMENDED BY THE PRODUCT MANUFACTURER MAY CAUSE HAZARDS.

PREPARATION: SAFEGUARDS FOR ALL ELECTRICAL PRODUCTS.

- AVOID DANGEROUS ENVIRONMENT - DON'T USE PRODUCT IN DAMP OR WET LOCATIONS.
- DON'T FORCE PRODUCT - IT WILL DO THE JOB BETTER AND SAFER AT THE RATE FOR WHICH IT WAS DESIGNED.
- DRESS PROPERLY - DO NOT WEAR LOOSE CLOTHING OR JEWELRY. THEY CAN BE CAUGHT IN MOVING PARTS. USE OF RUBBER GLOVES AND FOOTWEAR IS RECOMMENDED WHEN WORKING OUTDOORS.

- DON'T ABUSE CORD - NEVER PULL PRODUCT BY CORD OR YANK IT TO DISCONNECT FROM RECEPTACLE. KEEP CORD FROM HEAT, OIL AND SHARP EDGES.
- WARNING - TO PREVENT SHOCK HAZARD USE ONLY WITH AN EXTENSION CORD SUITABLE FOR OUTDOOR USE.
- DON'T USE IN RAIN.
- DISCONNECT PRODUCT - DISCONNECT THE PRODUCT FROM THE POWER SUPPLY WHEN NOT IN USE. BEFORE SERVICING, WHEN CHANGING ACCESSORIES SUCH AS BLADES, ETC.
- AVOID ACCIDENTAL STARTING - DON'T PULL PLUGGED-IN PRODUCT WITH FINGER ON SWITCH. BE SURE SWITCH IS OFF WHEN PLUGGING IN.

EXTENSION CORDS:

- USE ONLY UL RECOGNIZED OUTDOOR EXTENSION CORDS OF ADEQUATE GAUGE WHICH ACCEPT THE APPLIANCE'S PLUG. REPLACE OR REPAIR DAMAGED CORDS. EXTENSION CORDS ARE AVAILABLE AT YOUR DEALER.
- TO PREVENT DISCONNECTION OF LAWN MOWER FROM THE EXTENSION CORD DURING OPERATION, USE THE STRAIN RELIEF CONNECTOR DESCRIBED IN THIS MANUAL.
- THE USE OF ANY EXTENSION CORD WILL CAUSE SOME LOSS OF POWER. TO KEEP THIS TO A MINIMUM AND TO PREVENT OVERHEATING AND MOTOR BURN-OUT, USE OF MINIMUM 16 GAUGE (AWM) WIRE SIZE IS RECOMMENDED AND AVAILABLE FROM YOUR DEALER. A MINIMUM OF 16 GAUGE WIRE (A.W.G.) IS RECOMMENDED FOR UP TO 100 FEET. FOR LONGER LENGTHS 12 GAUGE WIRE (A.W.G.) MUST BE USED FOR BEST MOTOR PERFORMANCE.

DO NOT EXCEED 200 FEET IN EXTENSION CORD LENGTH.

⚠ POWER SUPPLY

- FUSES - THE MOTOR SHOULD BE OPERATED ON A 15 AMP CIRCUIT. IF DIFFICULTY IN STARTING IS EXPERIENCED WITH A STANDARD 15 AMP FUSE OR CIRCUIT BREAKER, A FUSE STAT OR SLOW-BLOWING FUSE OR CIRCUIT BREAKER MAY BE USED BUT SHOULD NOT EXCEED THE 15 AMPERE

RATING.

- FREQUENT BLOWING OF FUSES - DO NOT USE A HIGHER RATED FUSE WITHOUT CONSULTING YOUR POWER COMPANY.

GROUNDING-DOUBLE INSULATED LAWN MOWER

DOUBLE INSULATION IS A CONCEPT IN SAFETY, IN ELECTRIC LAWN MOWERS, WHICH ELIMINATES THE NEED FOR THE USUAL THREE WIRE GROUNDED POWER CORD AND GROUNDED SUPPLY SYSTEM. WHEREVER THERE IS ELECTRIC CURRENT IN THE MOWER THERE ARE TWO COMPLETE SETS OF INSULATION TO PROTECT THE USER. ALL EXPOSED METAL PARTS ARE ISOLATED FROM THE INTERNAL METAL MOTOR COMPONENTS WITH PROTECTING INSULATION.

IMPORTANT-SERVICING OF A LAWN MOWER WITH DOUBLE INSULATION REQUIRES EXTREME CARE AND KNOWLEDGE OF THE SYSTEM AND SHOULD BE PERFORMED ONLY BY A QUALIFIED SERVICE TECHNICIAN. FOR SERVICE WE SUGGEST YOU RETURN THE LAWN MOWER TO YOUR NEAREST AUTHORIZED SERVICE STORE FOR REPAIR. ALWAYS USE ORIGINAL FACTORY REPLACEMENT PARTS WHEN SERVICING.

⚠ ADDITIONAL SAFEGUARDS BEFORE STARTING THE MOWER

- KNOW YOUR CONTROL-READ THE MANUAL CAREFULLY-LEARN HOW TO STOP MOWER QUICKLY IN EMERGENCY.
- OBJECTS STRUCK BY LAWN MOWER BLADES CAN CAUSE SEVERE INJURIES TO PERSONS. THE LAWN SHOULD ALWAYS BE CAREFULLY EXAMINED AND CLEARED OF ALL OBJECTS PRIOR TO EACH MOWING.
- MOW ONLY IN DAYLIGHT OR IN GOOD ARTIFICIAL LIGHT.
- DO NOT OPERATE MOWER IN WET GRASS
- NEVER USE AN ELECTRIC POWERED MOWER IN THE RAIN OR WET GRASS-ALWAYS CHECK POWER CORDS FOR CRACKS OR BREAKS BEFORE USING.
- WEAR HEAVY SHOES AND LONG PANTS WHILE USING MOWER.
- MAKE WHEEL HEIGHT ADJUSTMENTS BEFORE USING THE MOWER, NEVER WHILE THE MOTOR IS RUNNING.

⚠ OPERATION:

- GIVE YOUR COMPLETE AND UNDIVIDED ATTENTION TO THE JOB AT HAND.
- KEEP FEET AND HANDS WELL AWAY FROM THE BLADES AND/OR ROTARY PARTS.
- AFTER STRIKING A FOREIGN OBJECT, STOP THE MOTOR, UNPLUG POWER CORD, THOROUGHLY INSPECT THE MOWER FOR ANY DAMAGE, AND REPAIR THE DAMAGE BEFORE RESTARTING AND OPERATING THE MOWER.
- STOP THE MOTOR WHENEVER YOU LEAVE THE MOWER, BEFORE CROSSING DRIVES, WALKS OR ROADS, OR WORKING ON THE MOWER.
- NEVER CUT GRASS BY PULLING THE MOWER TOWARD YOU.
- MOW ACROSS THE FACE OF SLOPES, NEVER UP-AND-DOWN. DO NOT MOW EXCESSIVELY STEEP SLOPES.
- USE CAUTION WHEN OPERATING THE MOWER ON UN-EVEN TERRAIN OR CHANGING DIRECTION; MAINTAIN GOOD FOOTING.
- CHECK FOR BREAKAGE AND REPAIR ANY DAMAGE AFTER STRIKING FOREIGN OBJECTS. REMEMBER HEAVY VIBRATING IS GENERALLY A SIGN OF TROUBLE.
- SHUT MOTOR OFF AND WAIT UNTIL BLADE COMES TO A COMPLETE STOP BEFORE REMOVING GRASS CATCHER.
- DISCONNECT POWER CORD BEFORE UNCLOGGING CHUTE.
- ALWAYS DISCONNECT ELECTRIC MOWERS BEFORE CLEANING, REPAIRING OR ADJUSTING.

MAINTAINING THE MOWER

- ALWAYS PROPERLY MAINTAIN THE MOWER BY FOLLOWING MANUFACTURER'S INSTRUCTIONS-CHECK ALL FASTENERS GUARDS AND PORTS. BUILT-IN SAFETY FEATURES ARE EFFECTIVE ONLY IF MAINTAINED AND KEPT IN PLACE.
- KEEP MOTOR FREE OF GRASS OR DEBRIS BUILDUP TO REDUCE FIRE HAZARD.
- IF A GRASS CATCHER IS AVAILABLE FOR YOUR MOWER, CHECK THE BAG FREQUENTLY FOR WEAR OR DETERIORATION; REPLACE WHEN NEEDED FOR SAFETY PROTECTION.
- ALLOW MOTOR TO COOL BEFORE STORING IN ANY ENCLOSURE.
- KEEP BLADES SHARP.
- USE IDENTICAL REPLACEMENT BLADES ONLY.

This Lawn Mower conforms to the safety standards of the American National Standards Institute, Underwriter's Laboratories & Outdoor Power Equipment Institute. Meets Consumer Products Safety Commission blade safety requirements for walkbehind rotary power lawn mowers.

CUSTOMER'S RESPONSIBILITIES

ALWAYS USE CARE WHEN OPERATING THE LAWN MOWER. KEEP CLEAR OF MOVING PARTS. DO NOT WORK ON LAWN MOWER WITH MOTOR RUNNING, DISCONNECT POWER SUPPLY. AVOID STRIKING OR RUNNING INTO SOLID OBJECTS OR DEBRIS IN THE AREA TO BE MOWED. READ AND OBSERVE THE RULES FOR SAFE OPERATION. KEEP THE LAWN MOWER CLEAN. FOLLOW A REGULAR MAINTENANCE AND CHECK SCHEDULE TO PROVIDE EFFICIENT AND SAFE OPERATION. A WELL - CARED FOR LAWN MOWER WILL LAST LONGER AND OPERATE MORE EFFICIENTLY. ALWAYS BE CAREFUL FOR YOURSELF AND OTHERS.

SETUP INSTRUCTIONS

IT IS SUGGESTED THAT THIS MANUAL BE READ IN ITS ENTIRETY BEFORE ATTEMPTING TO ASSEMBLE OR OPERATE THE LAWN MOWER.

THE LAWN MOWER HAS BEEN COMPLETELY ASSEMBLED AT THE FACTORY EXCEPT FOR THE UPPER AND LOWER HANDLES, WHICH HAVE BEEN LEFT UNASSEMBLED FOR SHIPPING PURPOSES. ALL PARTS SUCH AS NUTS, WASHERS, BOLTS, ETC., NECESSARY TO COMPLETE THE ASSEMBLY, HAVE BEEN ATTACHED TO THE DECK AND PLACED IN THE PARTS BAG.

ASSEMBLE THE UNIT AS OUTLINED. REFER TO ILLUSTRATIONS FOR ASSEMBLY ASSISTANCE.

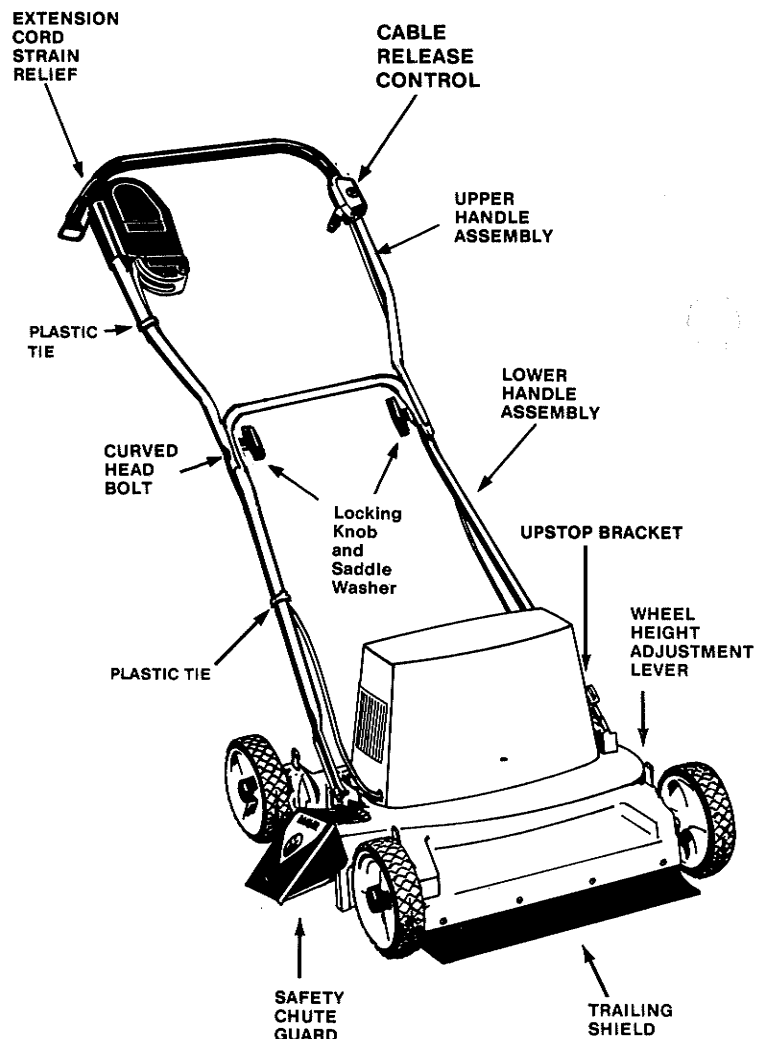
TABLE OF CONTENTS

	Page
Safeguards	2 - 3
Customer Information.....	4
Specifications	4
Your Mower Operation.....	5 - 6
Maintenance and Storage	6 - 7
Trouble Shooting	8
Repair Parts.....	9 - 11

SPECIFICATIONS

This Lawn Mower conforms to the safety standards of the American National Standards Institute, Underwriters' Laboratories and Outdoor Power Equipment Institute. Meets Consumer Products Safety Commission Blade Safety Requirements For Walk-Behind Rotary Power Lawn Mowers.

Motor:	12 Amps 120 Volts, A.C.
Wheels:	Plastic
Tires:	6.0 x 1.5 Tread
Cutting Height:	5 Heights - 5/8" to 2 1/2"
Housing:	Aluminum Die Cast
Handle:	18 Ga. Steel - Chrome Plated Upper 16 Ga. Steel - Chrome Plated Lower Folding Upper Handle
Blade:	Twin Blade 9 inch each
Type:	Push Type



MEETS CPSC BLADE SAFETY REQUIREMENTS

ASSEMBLY

STEP 1

ASSEMBLY - LOWER HANDLE

Remove bolts, washers, insulators, up-stop bracket and nuts from deck. Attach lower handle in position shown. (see fig. 1).



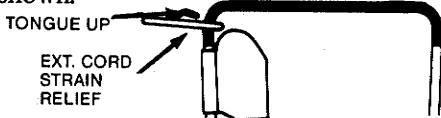
WARNING:

Insulators are safety components. It is important that all parts be assembled in position shown. (See Fig. 1.)

STEP 2

ASSEMBLY - UPPER HANDLE

Remove bolts, washers, knobs and extension cord strain relief from parts bag. Before attaching handle, slide strain relief on handle and position as shown.



Attach handle to lower handle (See fig.2)

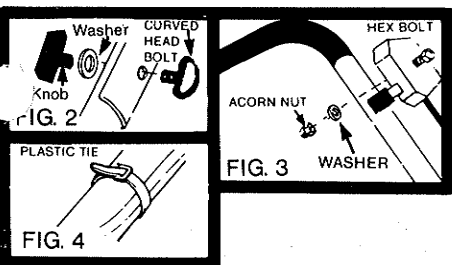
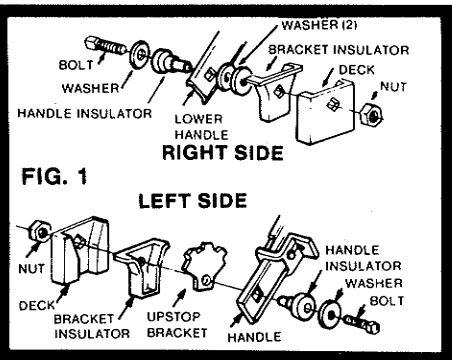
STEP 3

TO ASSEMBLE CABLE RELEASE CONTROL

Remove hex bolt, 1/4" washer and acorn nut from parts bag. Attach to upper handle. (See Fig. 3)

STEP 4

Attach plastic ties (See Fig. 4) (excess cord should be between lower ties and motor cover).



KNOW YOUR LAWN MOWER



WARNING: DO NOT OPERATE LAWN MOWER WITHOUT THE CHUTE GUARD OR AN APPROVED GRASS CATCHER IN PLACE.



THE MOTOR CONTROL ON THIS MOWER IS INSTALLED TO MINIMIZE THE RISK OF BLADE CONTACT INJURY AND IS REQUIRED BY FEDERAL REGULATIONS. DO NOT UNDER ANY CIRCUMSTANCES ATTEMPT TO DEFEAT THE FUNCTION OF THIS CONTROL.

OPERATING INSTRUCTIONS



WARNING: Disconnect power cord from unit before adjusting wheels.

ADJUSTING HEIGHTS-OF-CUT

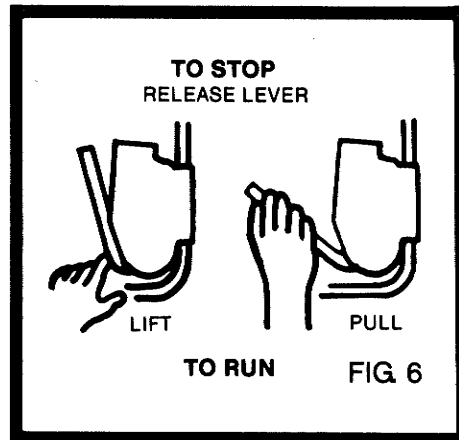
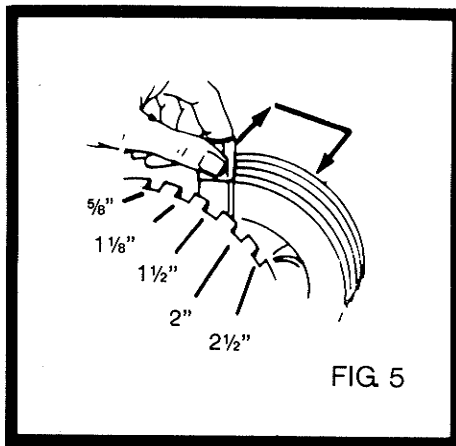
Your Lawn Mower may be adjusted to five cutting heights (See Fig. 5). This is done by moving finger - tip height adjustment lever on each wheel. All wheels should be the same height.

The average lawn should be cut approximately 1 1/2 to 2 inches during the cool season and over 2 inches during hot months. For healthier and better looking lawns, mow often and after moderate growth.

NOTE: The heights of cut are measured from the ground to the blade tip with the motor not running. These cutting heights are approximate and may vary depending upon soil conditions, height of grass and types of grass being mowed.

SAFETY DEADMAN CONTROL SWITCH

Your Lawn Mower is equipped with a Safety Deadman Control Switch which prevents unintentional starting of motor. TO RUN - Lift lever with left forefinger and pull lever up with right hand. TO STOP - Release lever and motor will automatically shut-off. (See Fig. 6)



BLADE BRAKING FEATURE

Your Lawn Mower has a braking feature. When the switch is turned off, the blades will stop in less than 3 seconds. **THE HIGH PITCH NOISE THAT YOU WILL HEAR IS THE DECELERATION OF THE ELECTRIC MOTOR. SPARKING AT TOP OF MOTOR IS ALSO NORMAL DURING DECELERATION.**

CORD CONNECTION



WARNING: Make sure switch lever is in the "OFF" position. Connect extension cord to strain relief. Allow enough excess cord for loop to make switch box connection (approx. 20 inches). (See Fig. 7A)

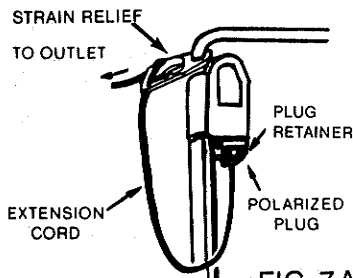


FIG. 7A

Swing open spring loaded plug retainer and insert extension cord connector fully into switch box plug. **NOTE -** Your mower is equipped with a polarized AC power plug (one blade of the plug is wider than the other), which will fit into the power extension cord connector only one way (See Fig. 7B). Should you be unable to insert the cord connector fully onto the switch box plug, try reversing the cord connector. Should the connector still fail to fit, contact your dealer for assistance. Do not defeat the safety purpose of the polarized plug.

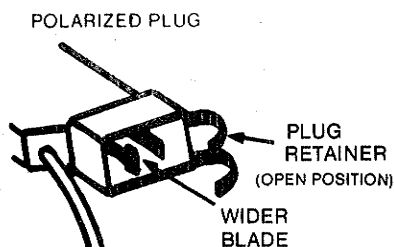
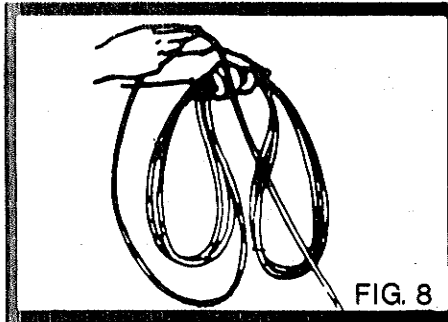


FIG. 7B

Plug extension cord into outlet. See page 2-3 for instructions extension cords, power supply grounding.

TIPS FOR WINDING CORD

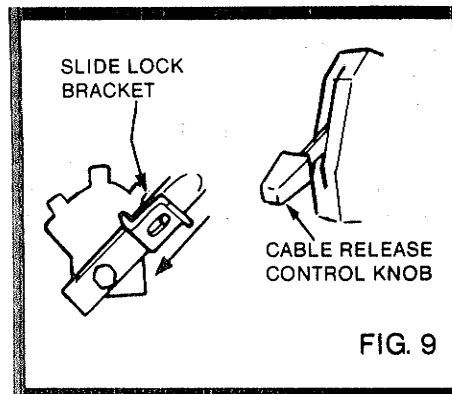
To prevent snarling, as you pick cord up, wind cord in a series of equal loops on each side of your hand. (See Fig. 8)



HANDLE LOCKING BRACKET

Before mowing, lock handle in the desired operating position. (See Fig. 9)

To reverse mowing direction, pull up the cable release control knob and swing handle over. The slide lock bracket will lock handle in place.



WARNING: Make sure slide lock bracket is disengaged before swinging handle over.

MOWING PROCEDURE

Never mow around the lawn in circles. Always travel back and forth across the lawn, beginning at the point nearest the electric outlet where you connect cord. Gradually move away from outlet as the lawn is mowed (this will keep the cord on the same side of the mower and out of the way).

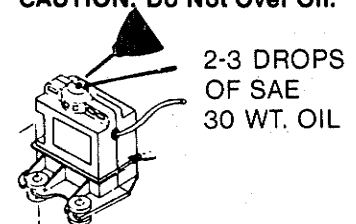
The length of the extension cord you will need depends on the size of the area to be mowed. See extension cord chart on Page 2.

MAINTENANCE AND STORAGE INSTRUCTIONS



WARNING: TURN OFF MOTOR AND DISCONNECT POWER SUPPLY BEFORE CHECKING THE LAWN MOWER.

1. Check blades at frequent intervals for proper tightness.
2. Keep all nuts, bolts, and screws tight to be sure equipment is in safe working condition.
3. Periodically remove motor cover and remove any build-up of grass and leaves (DO NOT USE WATER).
4. Check belts for wear.
5. At the end of each mowing season lubricate motor upper bearing by removing motor cover and placing 2 - 3 drops of SAE 30 wt. oil in small hole located at top of motor. **CAUTION: Do Not Over Oil.**



6. At the end of each mowing season lubricate blade spindle bearings. Turn mower over on its left side and locate grease fitting on each spindle housing and clean (See Fig. 10). With a hand grease gun apply grease slowly until the grease begins to come out of the relief groove on the side of the fitting.

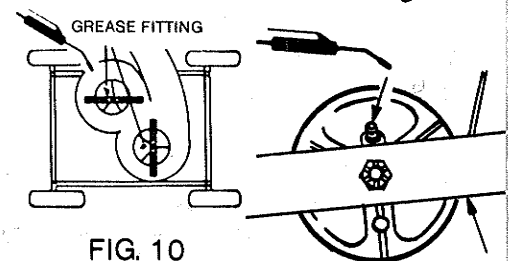


FIG. 10

REPLACING BLADE BELTS



WARNING: Disconnect power supply before replacing belts.

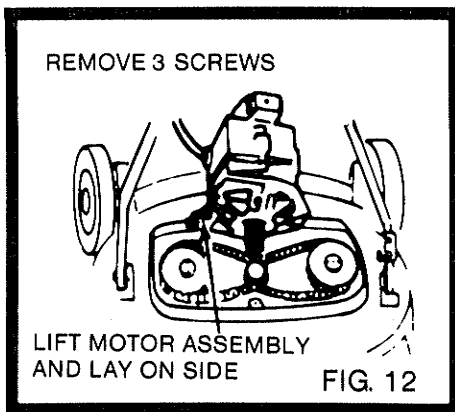
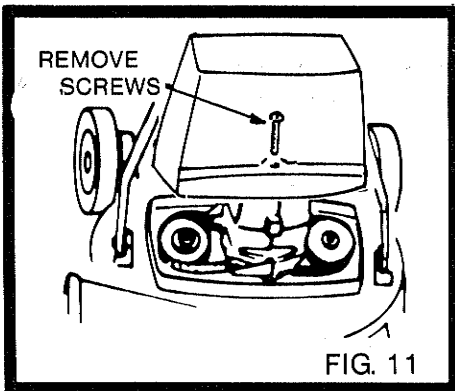
REPLACING BLADE BELTS

1. Remove motor cover screws and motor cover. (Fig. 11)
2. Remove the 3 motor mounting screws. (Fig. 12)
3. Lift up motor, lay on its side, and remove belts.
4. Place new belts on motor pulley, with separator in between.
5. Hold belts in position and place motor on mower.
6. Fit upper belt on higher blade pulley, then roll lower belt onto lower pulley.
7. Bolt motor to deck.



WARNING: Insulators are safety components. It is important that all parts be reassembled in positions shown. Service replacement motors are supplied with motor mounting insulators attached.

8. Assemble motor cover to Lawn Mower.



BLADE CARE

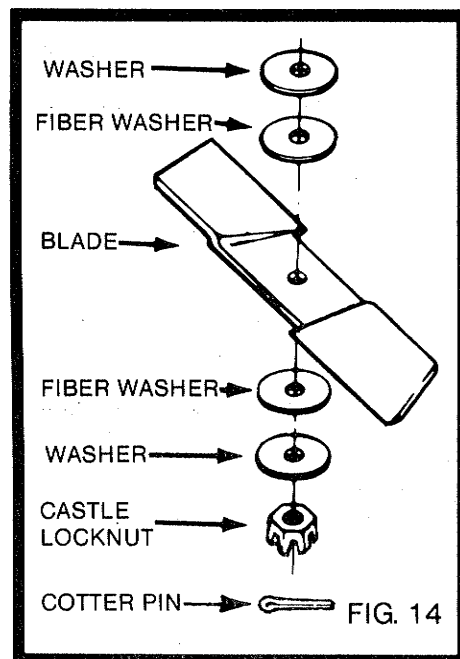
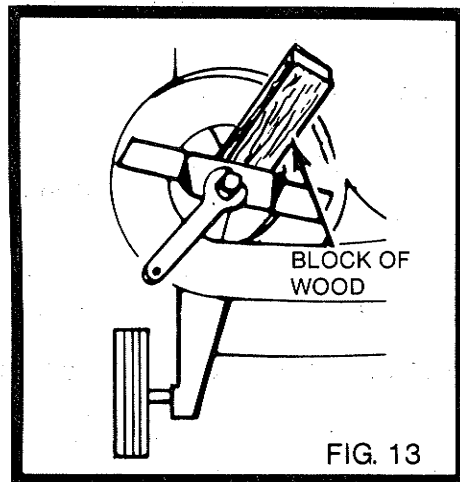
All Lawn Mowers blades must be balanced to run smoothly. Your blade has been checked at the factory. Resharpener is not recommended. Replace worn blade.

REPLACING BLADES



WARNING: Disconnect power supply before replacing blades.

1. Lay Lawn Mower on its side.
2. Insert a block of wood into one of the baffles, to prevent blades from turning. (See Fig. 13)
3. Remove cotter pin, locknut, washers, and blade. Replace one blade before starting on the other. (See Fig. 14)
4. Place new blade on with the sharp cutting edge facing the ground away from deck.
5. Reassemble washers and locknut, tighten securely (18 - 25 ft. pounds of torque).
6. Reinstall cotter pin. (If necessary tighten castle nut, only enough to allow cotter pin insertion).



CAUTION

If blade is resharpened, be sure it is properly balanced. Failure to do so may result in motor vibration, loss of power, or possible motor damage.

STORAGE

Store Lawn Mower in a cool, dry place when not in use. Do not cover Lawn Mower with solid plastic sheet. Trapping moisture around Lawn Mower will promote rust and corrosion.

FOR "STAND - UP" STORAGE

Position handle vertically.



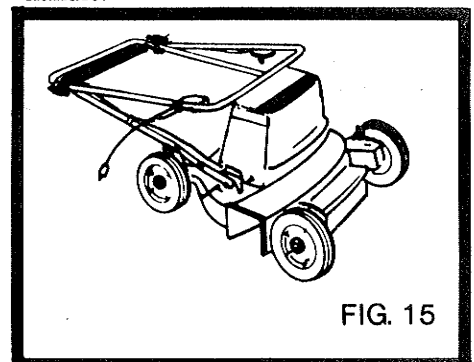
WARNING: BE SURE POWER SUPPLY IS DISCONNECTED.

Turn mower over and remove grass cuttings with scraper from under deck. Wipe Lawn Mower clean with dry cloth occasionally.

1. Make sure switch is in off position for storage.
2. Replace extension cord if cut or abraded.
3. Extension cord should be wiped dry of any foreign substance such as oil or stains.
4. Wind cord and store in cool, dry place. (See Page 6)

FOR COMPACT STORAGE

Handle may be folded as shown by loosening locking knobs in center of handle. (See Fig. 15) NOTE: Be sure cord is not pinched between upper and lower handle when folding or raising handle.



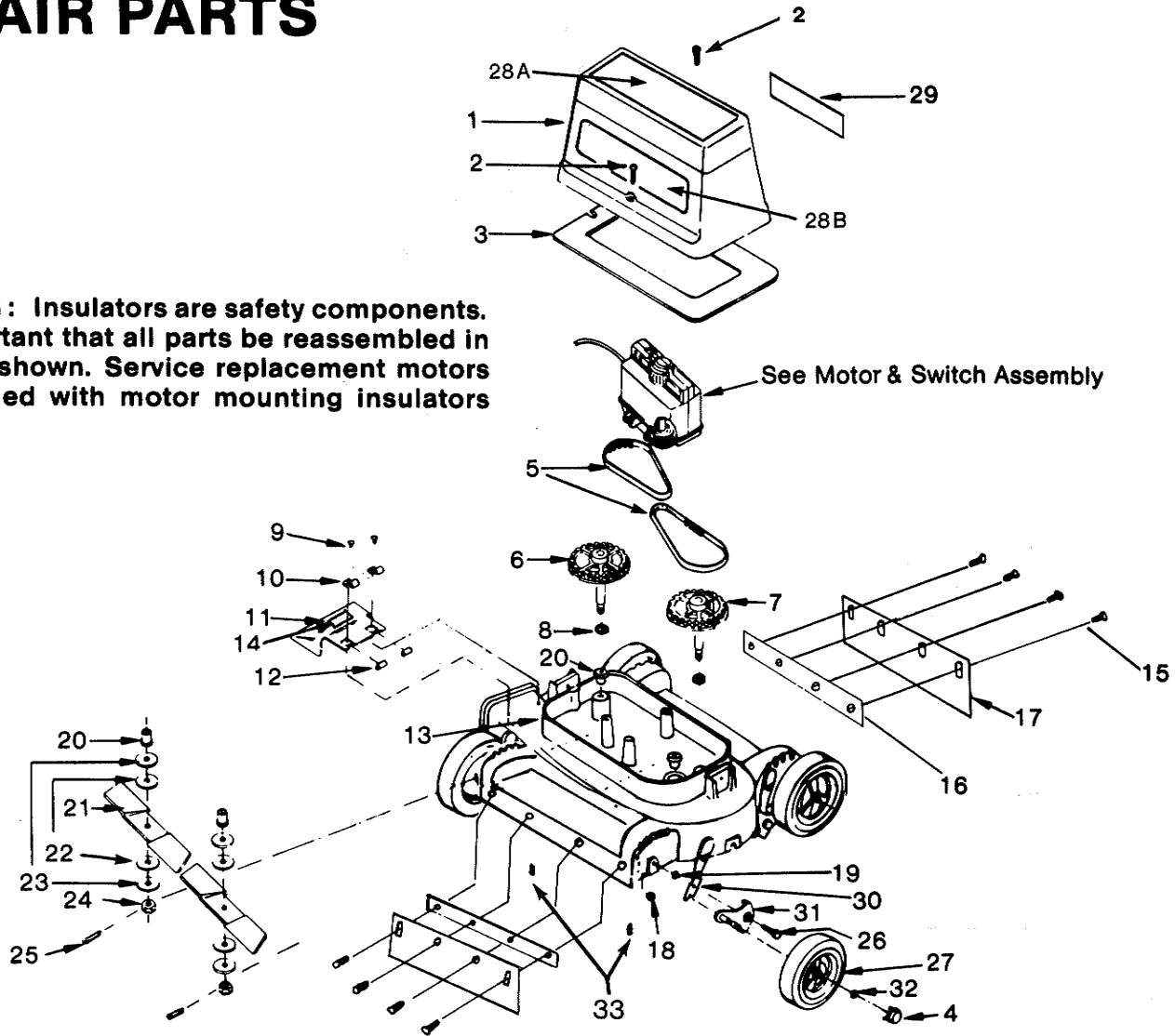
TROUBLE SHOOTING CHART

PROBLEM	CORRECTION
DOES NOT START	<ol style="list-style-type: none"> 1. Be sure that the extension cord is plugged into the outlet and the Lawn Mower switch cord. (See page 6 for cord connection) 2. Check to see if a fuse has been blown or a circuit breaker tripped in your electrical box. (See page 3 for instruction on fuses)
FREQUENT BLOWING OF FUSES	Do not use a higher rated fuse without consulting your power company. If condition persists, (be sure circuit is not overloaded) have your unit checked by your nearest Authorized Service Dealer.
EXCESSIVE VIBRATION	<p>Turn off the motor immediately.</p> <p>⚠ WARNING: DISCONNECT POWER SUPPLY.</p> <p>Check for damaged or loose parts. If vibration persists, have the lawn mower and motor checked by your nearest Authorized Service Dealer before continuing to use.</p>
APPARENT LOSS OF POWER — MOTOR STALLS	<p>Motor switch must be in "OFF" position.</p> <p>⚠ WARNING: DISCONNECT POWER SUPPLY.</p> <ol style="list-style-type: none"> 1. Check for dirt accumulation around all moving parts. 2. Clean underside of deck. (See Page 7)
POOR GRASS DISCHARGE	<p>Motor switch must be in "OFF" position.</p> <p>⚠ WARNING: DISCONNECT POWER SUPPLY.</p> <p style="text-align: center;">Wait until blades have stopped then:</p> <ol style="list-style-type: none"> 1. Clean underside of deck and chute area. 2. Check for excessively worn or damaged blade.
LOOSE BLADE	<p>Motor switch must be in "OFF" position.</p> <p>⚠ WARNING: DISCONNECT POWER SUPPLY.</p> <ol style="list-style-type: none"> 1. Check for damaged blade. 2. Check blade mounting. (Refer to Page 7, Replacing Blade Instructions)

REPAIR PARTS

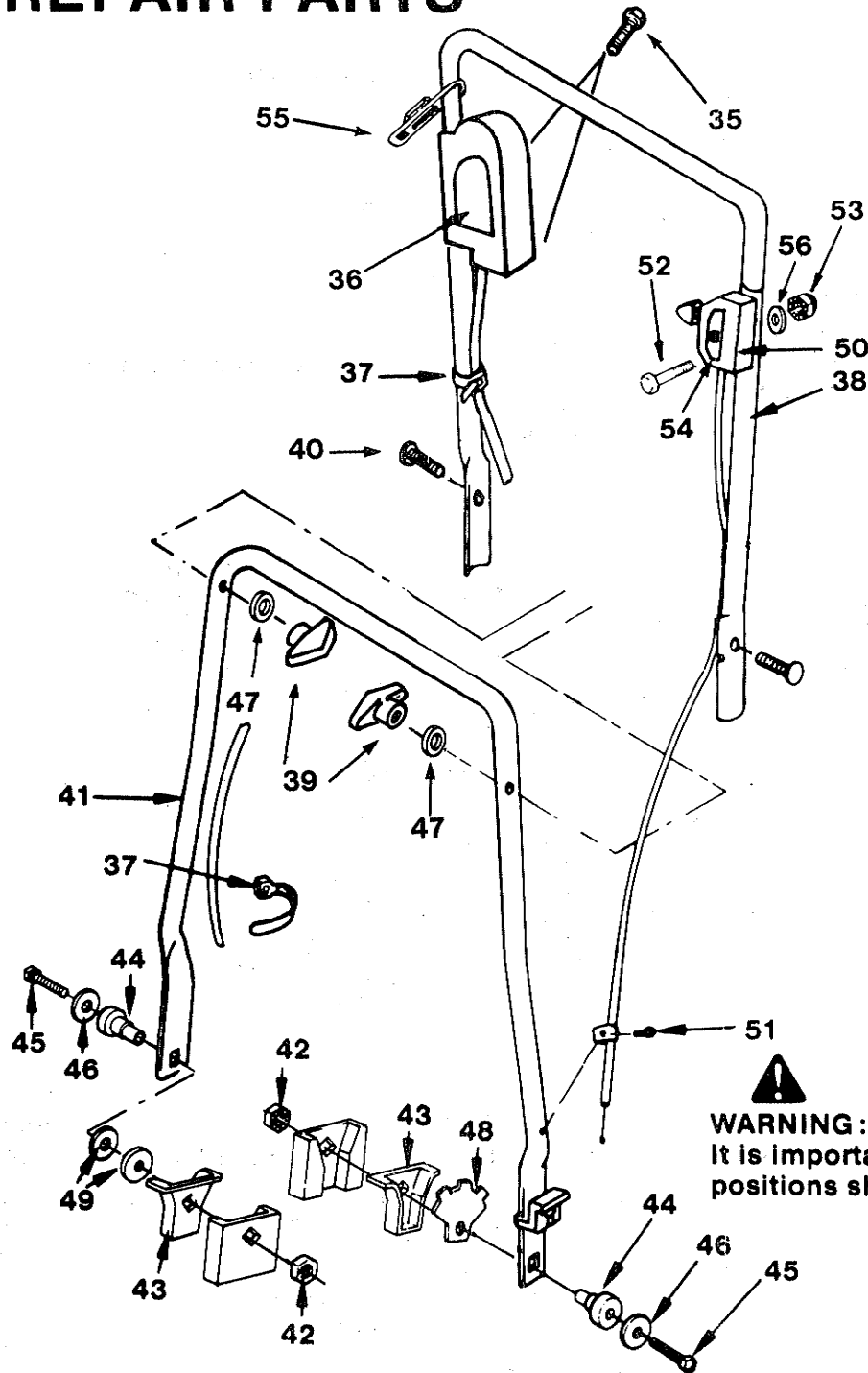


WARNING: Insulators are safety components. It is important that all parts be reassembled in positions shown. Service replacement motors are supplied with motor mounting insulators attached.



Key	Part No.	Description	Amt. Req.	Key	Part No.	Description	Amt. Req.
1	1675445	Motor Cover	1	18	1675460	Nut	4
2	1675462	Screw Motor Cover	2	19	1675459	Washer, Axle	4
3	1675452	Baffle Air	1	20	1675429	Bearing, Blade Shaft	4
4	1675467	Hub Cap	4	21	1675436	Blade - 9"	2
5	1675437	Belt Drive	2	22	1675434	Washer, Fibre	4
6	1675433	Blade Shaft/Pulley Long	1	23	1675441	Washer, Flat	4
7	1675432	Blade Shaft/Pulley Short	1	24	1675456	Nut, Blade	2
8	1675435	Washer, Pulley	2	25	918448	Cotter Pin	2
9	1675442	Rivet, Blind	2	26	1675446	Shoulder Bolt	4
10	1675438	Hinge, Chute Guard	2	27	1675466	Wheel - 6"	4
11	1675431	Chute Guard	1	28A	1675296	Label - 18" Twin Blade	1
12	1675439	Hinge Pin	2	28B	1674829	Label - "Simplicity"	1
13	1675428	Deck Assembly (Incl. Key #20)	1	29	1675476	Caution & Data Label	1
14	1675478	Label - Danger	1	30	1675455	Handle Height Adjustment	4
15	1675449	Rivet - Blind	8	31	1675453	Bracket & Axle Assembly	4
16	1675443	Strap - Trail Shield	2	32	1675461	Retaining Ring	4
17	1675440	Trailing Guard	2	33	1675430	Grease Fitting	2

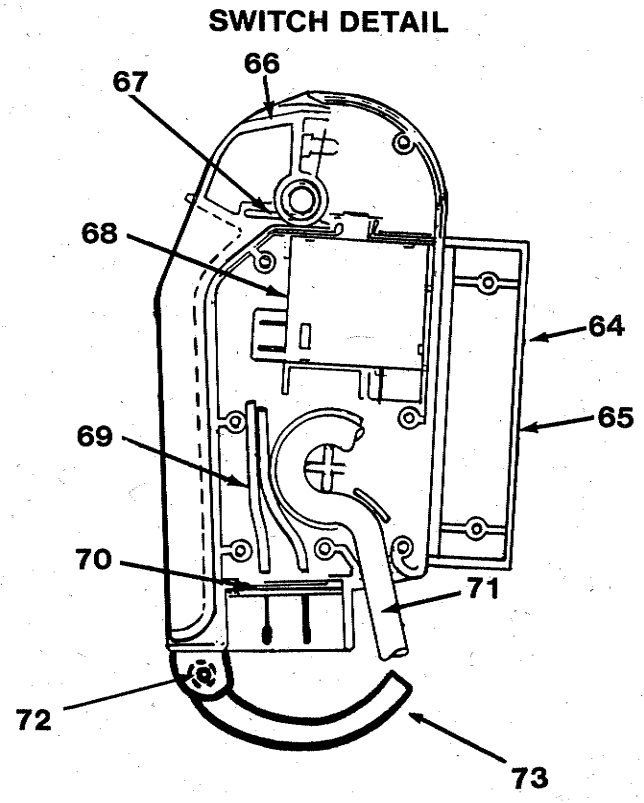
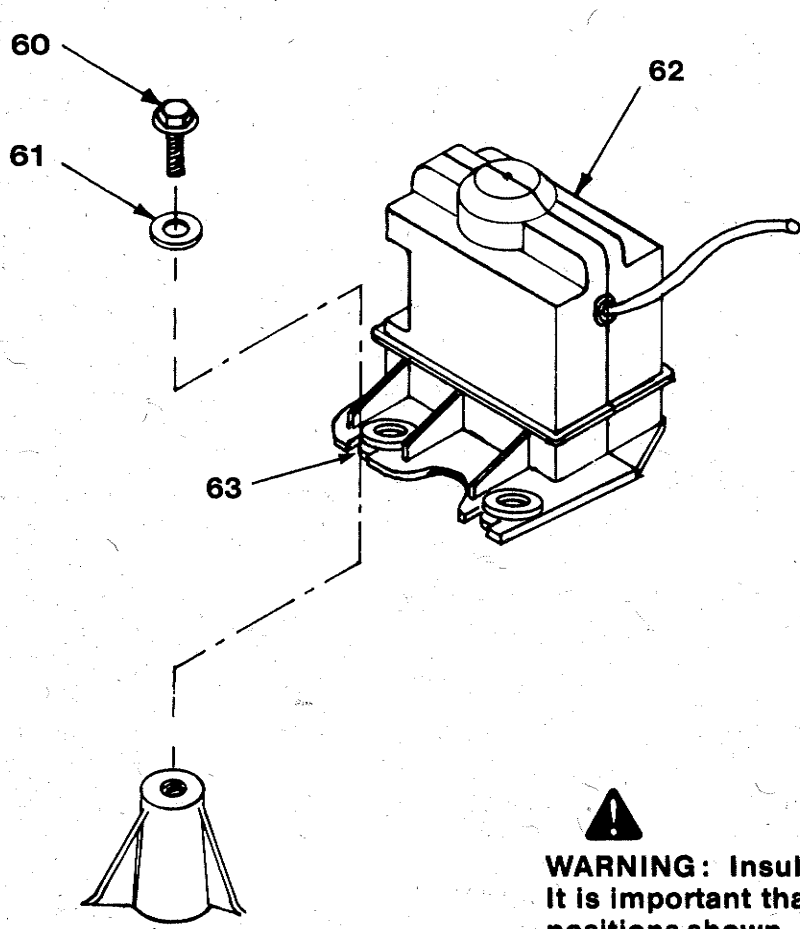
REPAIR PARTS



WARNING: Insulators are safety components. It is important that all parts be reassembled in positions shown.

Key	Part No.	Description	Amt. Req.	Key	Part No.	Description	Amt. Req.
35	1675468	Screw	2	46	1675465	Washer	2
36	1675479	Motor Switch Label	1	47	1675469	Saddle Washer	2
37	1675578	Plastic Tie	2	48	1675454	Upstop Bracket	1
38	1675444	Handle, Upper	1	49	1675464	Washer	2
39	1675470	Knob Assembly	2	50	1675742	Cable Release Control	1
40	1675472	Curved Head Screw	2	51	1675463	Mounting Screw	1
41	1675450	Handle, Lower	1	52	922837	Screw 1/4 - 20 x 1 1/2 Hex	1
42	1675460	Nut	2	53	1675471	Nut 1/4 - 20 Acorn	1
43	1675451	Bracket Insulator	2	54	1675474	Label Flip-Over	1
44	1675448	Screw Insulator	2	55	1675473	Strain Relief	1
45	921221	Screw	2	56	1675447	Washer	1

REPAIR PARTS



WARNING: Insulators are safety components. It is important that all parts be reassembled in positions shown. Replacement motors are supplied with motor mounting insulators attached.

Key	Part No.	Description	Amt. Req.	Key	Part No.	Description	Amt. Req.
60	1675458	Bolt, Motor Mount	3	67	1675747	Spring	1
61	1675457	Washer - 1/4" ID x 3/4" OD x 1/16" Thick	3	68	1675748	Switch	1
62	1675475	Motor & Switch Assy.	1	69	1675749	Lead Ass'y (Black)	1
63	1675743	Insulator, Motor Housing (Part of Key No. 62)	3	70	1675751	Prong Retainer (2-Pc)	1
64	1675744	Housing - Upper Half	1	71	1675752	Cord Ass'y.	1
65	1675745	Housing - Lower Half (Not Shown)	1	72	1675753	Spring - Plug Ret.	1
66	1675746	Handle - Switch	1	73	1675754	Plug Retainer	1
					1675755	Jumper Lead (Yellow) (Not Shown)	1
					1675756	Screw (Not Shown)	7



WARNING: The motor is an important part of the double insulated system. To avoid the possibility of alteration or damage to the system, it is recommended that service be performed at a factory authorized service location.

NOTE: FOR REPAIR PARTS CONTACT YOUR LOCAL AUTHORIZED SIMPLICITY DEALER.

Simplicity Manufacturing, Inc.
500 N. Spring Street
P.O. Box 210
Port Washington, WI 53074