

LT SERIES

12.5 LTH

Mfg. No. 1691795

Mfg. No. 1691886

Mfg. No. 1691939

12.5 LT

Mfg. No. 1691891

16 LTH

Mfg. No. 1691807

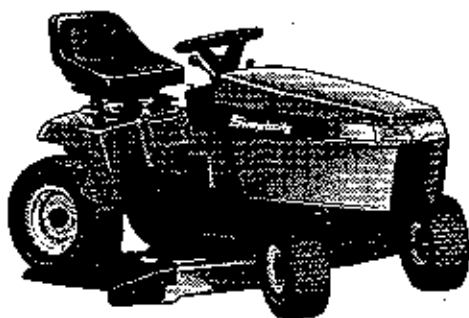
Mfg. No. 1691940

38" Mower

Mfg. No. 1691704

44" Mower

Mfg. No. 1691705

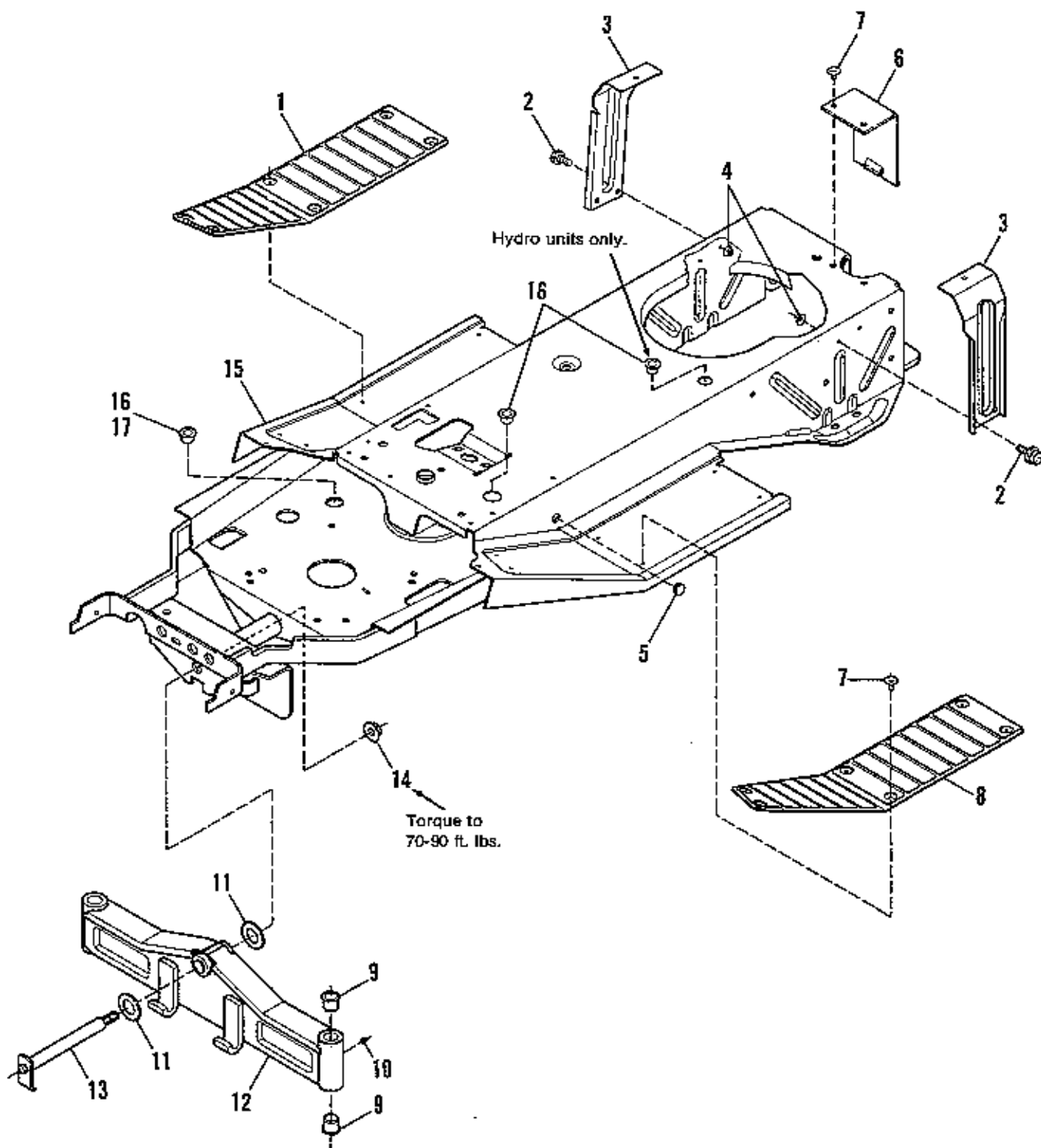


PARTS MANUAL

Simplicity®

Table of Contents

FRAME & FRONT AXLE GROUP	2
STEERING GROUP	4
ENGINE & ELECTRIC CLUTCH GROUP (Mfg. No. 1691891)	6
ENGINE & ELECTRIC CLUTCH GROUP (Mfg. No. 1691795)	8
ENGINE & ELECTRIC CLUTCH GROUP (Mfg. No. 1691807, 1691886)	10
GEAR TRANSMISSION GROUP	12
HYDRO TRANSMISSION GROUP 1 (Early Models w/Eaton 750 Transmission)	14
HYDRO TRANSMISSION GROUP 1 (Later Models w/Eaton 751 Transmission)	16
HYDRO TRANSMISSION GROUP 2	18
EATON 750 TRANSMISSION (Housing Group)	20
EATON 750 TRANSMISSION (Left Axle Subassy.)	22
EATON 750 TRANSMISSION (Right Axle Subassy.)	24
EATON 751 TRANSMISSION (Housing Group)	26
EATON 751 TRANSMISSION (Left & Right Axle Subassy.)	28
FOOT CONTROLS GROUP (Gear Units)	30
HAND CONTROLS GROUP (Gear Units)	32
FOOT CONTROLS GROUP (Hydro Units)	34
HAND CONTROLS GROUP (Hydro Units)	36
HOOD, GRILLE & DASH GROUP	38
SEAT, DECK, & FUEL TANK GROUP (Early Models)	40
SEAT, DECK, & FUEL TANK GROUP (Later Models)	42
ELECTRICAL GROUP (Lower Harness)	44
ELECTRICAL GROUP (Main Harness)	46
WHEELS & TIRES GROUP (Gear Units)	48
WHEELS & TIRES GROUP (Hydro Units)	50
38" MOWER HOUSING & ARBOR GROUP	52
44" MOWER HOUSING & ARBOR GROUP	54
38" CLUTCH & SUPPORT GROUP	56
44" CLUTCH & SUPPORT GROUP	58
38" HEIGHT ADJUSTING & ROLLER GROUP	60
44" HEIGHT ADJUSTING & ROLLER GROUP	62
DECAL GROUP	64
PEERLESS TRANSMISSION MODEL 801-059	66
STANDARD HARDWARE TORQUE SPECIFICATIONS	Inside Back



NOTE: Use standard hardware
for que spec. chart unless
otherwise noted.

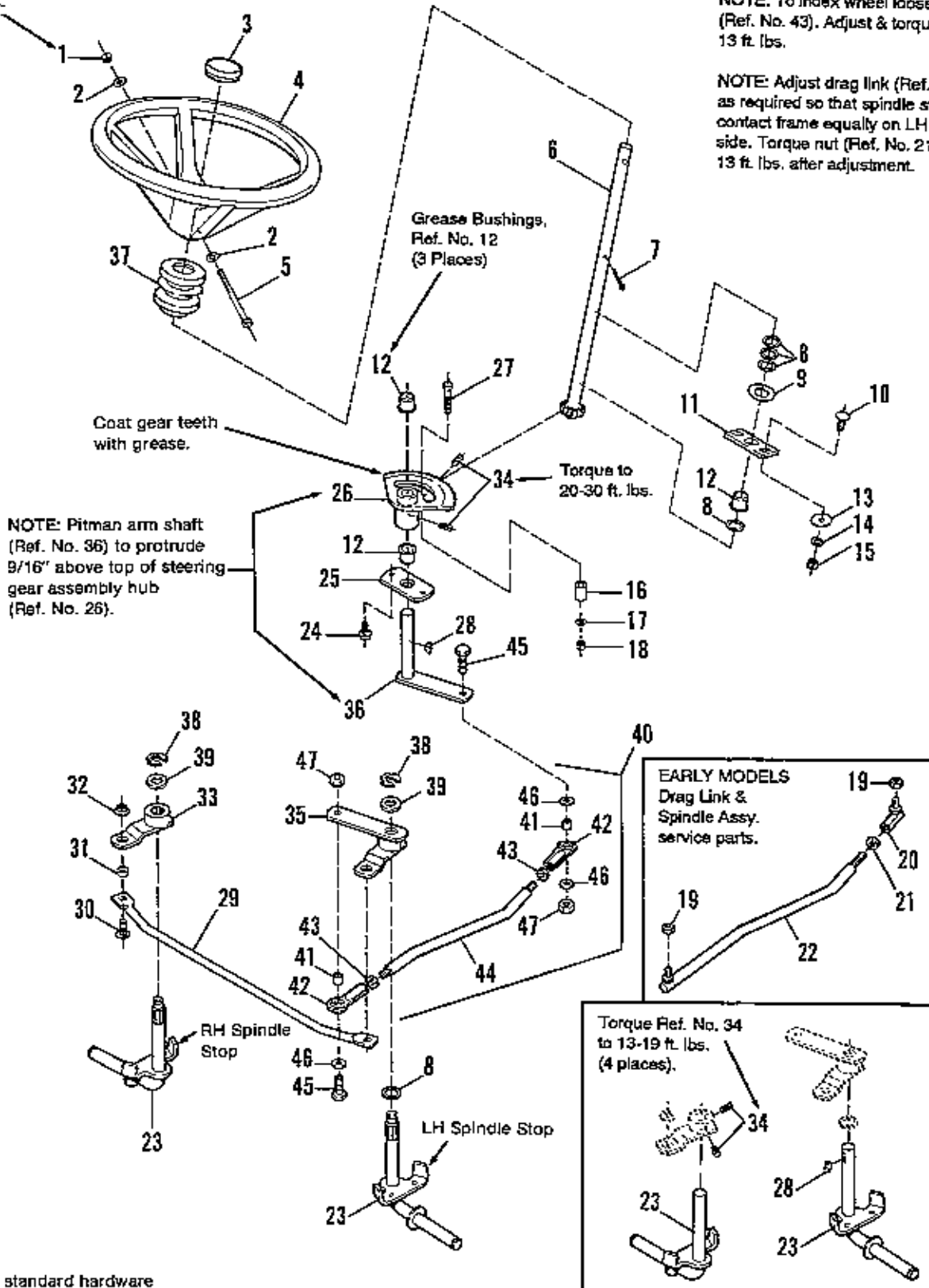
Ref. No.	Part No.	Qty.	Description
1	1704310	1	PAD, Footrest, R.H.
2	1934654	3	CAPSCREW, Hex, Flange Whizlock, 3/8-16 x 1
3	1703968	2	SUPPORT, Seat
4	1919439	4	NUT, Hex, Esna Lock, 3/8-16
5	1707488	1	PLUG
6	1708046	1	COVER, Rear
7	1704351	14	FASTENER, Panel
8	1704311	1	PAD, Footrest, L.H.
9	176440	4	BUSHING
10	1704314	2	GREASE, Fitting
11	1704153	2	WASHER, Special
12	1703475	1	AXLE ASSY., Front
13	1704150	1	AXLE PIVOT ASSY.
14	1960270	1	NUT, Hex Full Lock, 3/4-16
15	1707937	1	FRAME ASSY.
16	1701229	3	BUSHING, Snap (Qty. 3 - 16 HP Hydro; Qty. 2 - 12.5 HP Hydro; Qty. 1 - 12.5 HP Gear)
17	1705921	1	BUSHING, Snap (Used on 12.5 HP Gear Only)

**2027

Torque to
10 ft. lbs.

NOTE: To index wheel loosen nuts
(Ref. No. 43). Adjust & torque to
13 ft. lbs.

NOTE: Adjust drag link (Ref. No. 22)
as required so that spindle stops
contact frame equally on LH and RH
side. Torque nut (Ref. No. 21) to
13 ft. lbs. after adjustment.

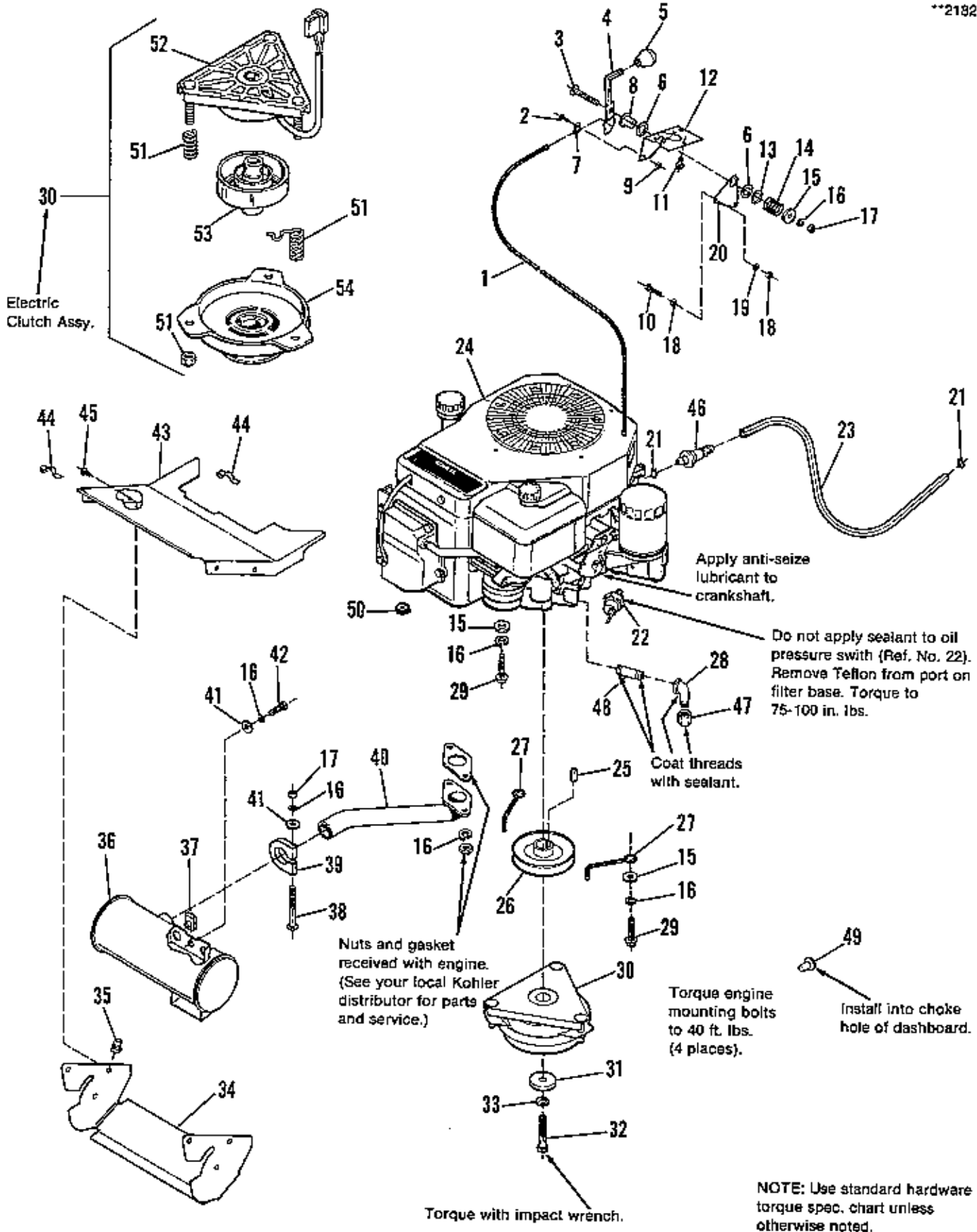


Ref. No.	Part No.	Qty.	Description
1	1923362	1	NUT, Hex Lock, 5/16-18
2	1919326	2	WASHER, Steering Wheel
3	1657017	1	CAP, Steering Wheel
4	1670989	1	WHEEL, Steering
5	1925690	1	CAPSCREW, 5/16-18 x 3-1/2
6	* 1703506	1	SHAFT ASSY., Steering
	** 1707321	1	SHAFT ASSY., Steering
7	1919314	1	COTTER PIN
8	1960114	6	WASHER, Plain, 49/64"
9	173668	1	WASHER, Plain
10	1931350	2	CARRIAGE BOLT, 3/8-16 x 1
11	1703508	1	PLATE, Mounting, Steering
12	176440	3	BUSHING, Nylon
13	1924940	2	WASHER, Plain, 13/32
14	1916965	2	LOCKWASHER, 3/8
15	1916950	2	NUT, Hex, Full, 3/8-16
16	1673796	1	SPACER, Stop
17	1917356	1	LOCKWASHER, 5/16
18	1917372	1	NUT, Hex, Full, 5/16-18
19	1668927	2	NUT, Special, 3/8-24
20	1669567	1	BALL JOINT (Round)
21	1918403	1	NUT, Jam, 3/8-24
22	1703518	1	DRAG LINK (Can be replaced by item #40)
23	* 1703502	2	SPINDLE ASSY.
	** 1707450	2	SPINDLE ASSY.
24	1664847	2	SCREW, Tapite, 5/16-18 x 3/4
25	1703813	1	SECTOR MOUNTING PLATE
26	1703513	1	GEAR ASSY., Steering
27	1921221	1	CAPSCREW, Hex, 5/16-18 x 1-1/2
28	* 930670	1	KEY, Hi Pro (Qty. of 3 on Early Models. See inset page 4.)
29	1706956	1	TIE ROD
30	1931350	2	CARRIAGE BOLT, 3/8-16 x 1
31	1611705	2	SPACER
32	1930645	2	NUT, Hex Lock, Flange, 3/8-16
33	* 1703498	1	ARM ASSY., Steering, R.H.
	** 1706996	1	ARM ASSY., Steering, R.H.
34	* 1928721	2	SETSCREW, Sq. Hd., 5/16-18 x 1/2 (Qty. of 6 on Early Models. See inset page 4.)
35	* 1703494	1	STEERING ARM ASSY., L.H.
	** 1706997	1	STEERING ARM ASSY., L.H.
36	1703512	1	PITMAN ARM ASSY.
37	** 1707320	1	TUBE, Steering
38	** 1704420	2	KLIP-RING, 5/8
39	** 1960020	2	WASHER
40	1685478	1	DRAG LINK ASSY. (Includes Ref. Nos. 41-47)
41	1708236	2	SPACER
42	1702779	2	BALL JOINT (Flat)
43	1919262	2	NUT, Hex, Jam, 1/2-20
44	1708084	1	DRAG LINK
45	1922606	2	CAPSCREW, Hex Hd., 3/8-16 x 1-3/4
46	1922755	3	WASHER
47	1919439	2	NUT, Lock, 3/8-16

* Used on all Mfg. No. 1691891 before serial no. 3075.
 Used on all Mfg. No. 1691886 before serial no. 11245.
 Used on all Mfg. No. 1691867 before serial no. 7222.
 Used on all Mfg. No. 1691939 before serial no. 1107.
 Used on all Mfg. No. 1691940 before serial no. 1369.
 Used on all Mfg. No. 1691795.

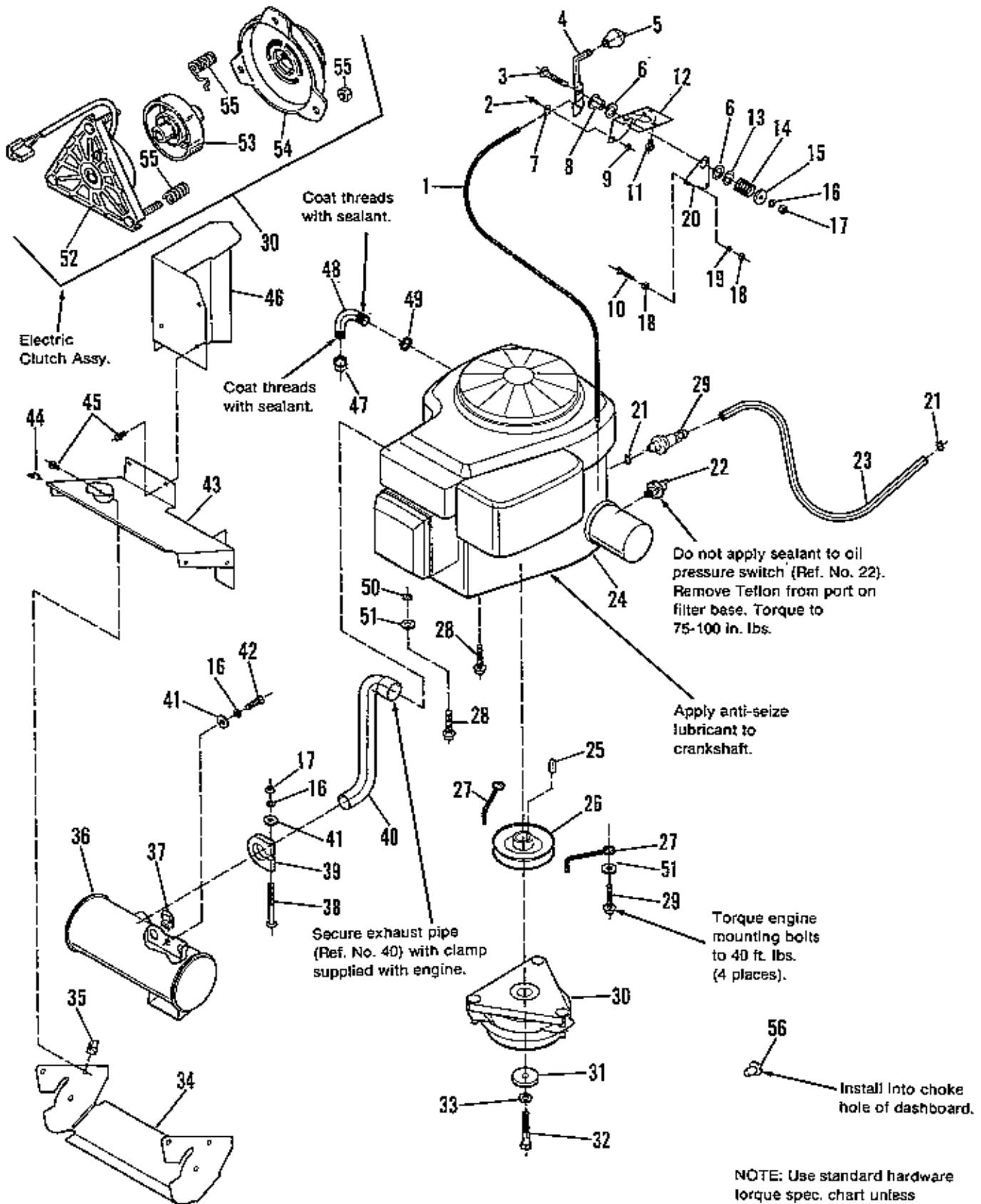
** Used on all Mfg. No. 1691891 after serial no. 3074.
 Used on all Mfg. No. 1691886 after serial no. 11244.
 Used on all Mfg. No. 1691807 after serial no. 7221.
 Used on all Mfg. No. 1691939 after serial no. 1106.
 Used on all Mfg. No. 1691940 after serial no. 1368.

**1903
**2182



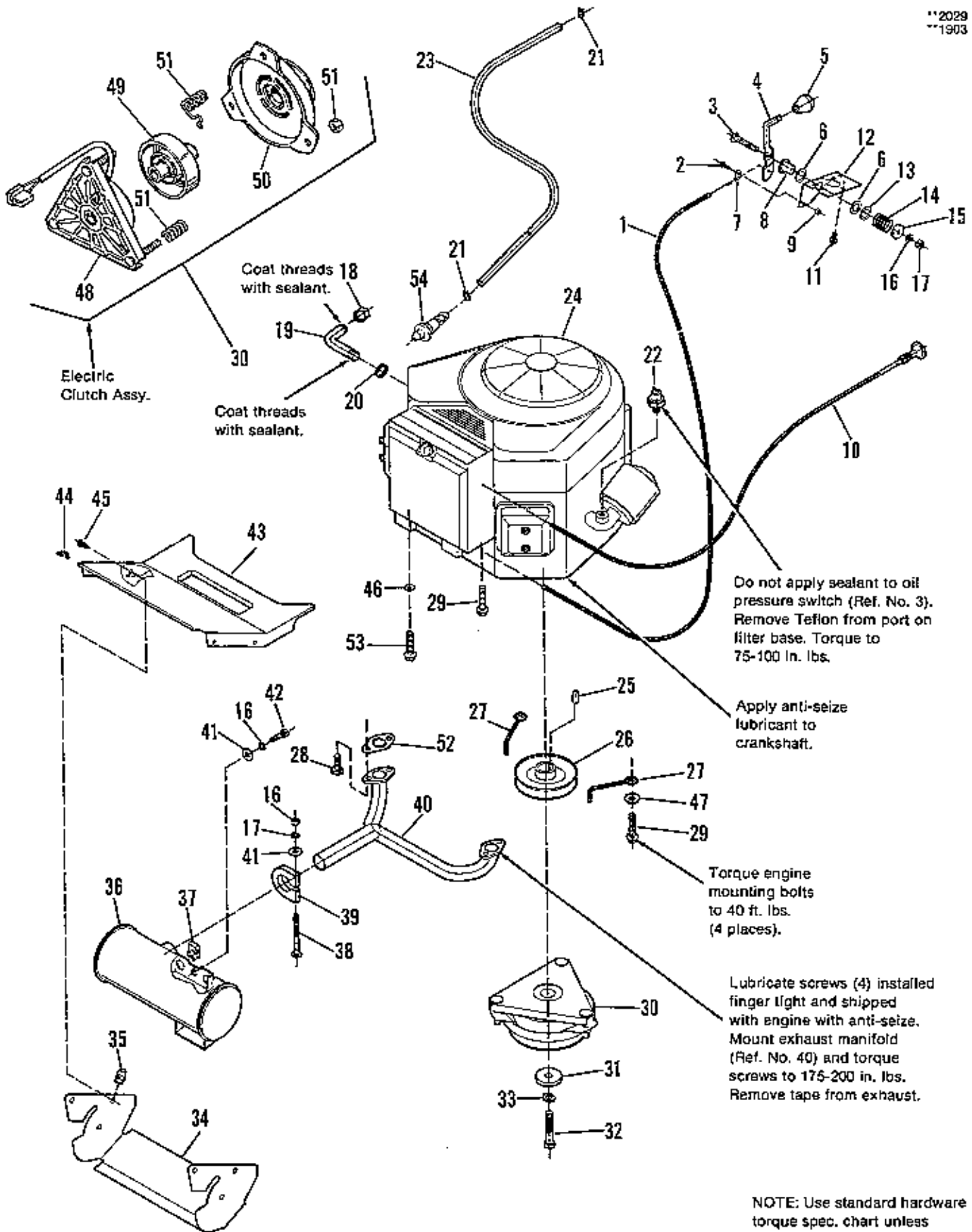
Ref. No.	Part No.	Qty.	Description
1	1663386	1	CABLE, Throttle
2	1930531	1	SCREW, Trusshead, 10-32 x 1/2
3	1931338	1	BOLT, Carriage, 5/16-18 x 1-3/4
4	1704334	1	HANDLE, Throttle
5	172038	1	KNOB, Throttle
6	960171	2	WASHER, Nylon
7	158475	1	CLIP, Bowden Wire
8	1704332	1	SPACER
9	1928919	1	NUT ASSY., 10-32
10	1921961	1	CAPSCREW, Hex, 1/4-20 x 1-1/4
11	1960256	3	SCREW, Plastite, 1/4-20 x 5/8
12	1704335	1	BRACKET, Throttle Mounting
13	101025	1	WASHER
14	162085	1	SPRING
15	1919381	5	WASHER, Plain, 5/16
16	1917356	9	LOCKWASHER, 5/16
17	1917372	2	NUT, Full, Hex, 5/16-18
18	1916622	2	NUT, Full, Hex, 1/4-20
19	1916964	1	LOCKWASHER, 1/4
20	1704333	1	PLATE, Spring
21	1960112	2	CLAMP, Hose
22	1703956	1	SWITCH, Oil Pressure
23	1676861	1	HOSE, Fuel, 45-1/2" Long
*24		1	ENGINE, (12.5 HP Kohler)
25	171241	1	KEY
26	1705441	1	PULLEY ASSY.
27	1704419	2	BELT STOP
28	1673453	1	STREET ELBOW, 3/8 Pipe
29	1960405	4	SCREW, Tapite, M8 - 1-1/4 x 30 mm
30	1703816	1	ELECTRIC CLUTCH (Inc. Ref. Nos. 52-55)
31	1960053	1	WASHER
32	1960406	1	CAPSCREW, M10-1-1/2 x 60 mm
33	1918199	1	LOCKWASHER, 7/16
34	1704357	1	DUCT, Lower Muffler
35	960368	4	NUT, Pal, 1/4-20
36	1703971	1	MUFFLER ASSY.
37	935255	1	NUT, Pal, 5/16-18
38	1931342	1	CARRIAGE BOLT, 5/16-18 x 2-3/4
39	1676183	1	CLAMP, Muffler
40	1705347	1	PIPE, Exhaust
41	1919326	2	WASHER, Plain, 5/16
42	1921333	1	CAPSCREW, Hex, 5/16-18 x 1
43	1705440	1	DUCT, Top, Muffler
44	934683	2	CLIP
45	1960295	4	SCREW, Flange Whiz, 1/4-20 x 5/8
46	173206	1	FUEL FILTER
47	1667346	1	CAP, Pipe
48	1901491	1	PIPE NIPPLE, 3/8 x 2
49	1705358	1	FASTENER, Panel
50	1920426	1	LOCKWASHER, External Tooth
51	1679104	1	ACCESSORY KIT
52	1679101	1	FIELD ASSY., Clutch
53	1705318	1	ROTOR ASSY.
54	1705319	1	ARMATURE ASSY., Clutch

*See your local Kohler Distributor for parts and service.



Ref. No.	Part No.	Qty.	Description
1	1704361	1	CABLE, Throttle
2	1930531	1	SCREW, Trusshead, 10-32 x 1/2
3	1931338	1	BOLT, Carriage, 5/16-18 x 1-3/4
4	1704334	1	HANDLE, Throttle
5	172038	1	KNOB, Throttle
6	960171	2	WASHER, Nylon
7	158475	1	CLIP, Bowden Wire
8	1704332	1	SPACER
9	1928919	1	NUT ASSY., 10-32
10	1921961	1	CAPSCREW, Hex, 1/4-20 x 1-1/4
11	1960256	3	SCREW, Plastite, 1/4-20 x 5/8
12	1704335	1	BRACKET, Throttle Mounting
13	101025	1	WASHER
14	162085	1	SPRING
15	1919381	1	WASHER, Plain, 5/16
16	1917356	3	LOCKWASHER, 5/16
17	1917372	2	NUT, Full, Hex, 5/16-18
18	1916622	2	NUT, Full, Hex, 1/4-20
19	1916964	1	LOCKWASHER, 1/4
20	1704333	1	PLATE, Spring
21	1960112	2	CLAMP, Hose
22	1703956	1	SWITCH, Oil Pressure
23	1676861	1	HOSE, Fuel, 39" Long (Cut to length)
*24		1	ENGINE, Single Cylinder (Briggs & Stratton)
25	171241	1	KEY
26	1704307	1	PULLEY ASSY.
27	1704419	2	BELT STOP
28	1928635	4	SCREW, Tapite, 3/8-16 x 1-1/4
29	173206	1	FUEL FILTER
30	1703816	1	ELECTRIC CLUTCH (Inc. Ref. Nos. 52-55)
31	1960053	1	WASHER
32	1960370	1	CAPSCREW, 7/16-20 x 2-1/2
33	1918199	1	LOCKWASHER, 7/16
34	1704357	1	DUCT, Lower Muffler
35	960368	4	NUT, Pal, 1/4-20
36	1703971	1	MUFFLER ASSY.
37	935255	1	NUT, Pal, 5/16-18
38	1931342	1	CARRIAGE BOLT, 5/16-18 x 2-3/4
39	1676183	1	CLAMP, Muffler
40	1704345	1	PIPE, Exhaust
41	1919326	2	WASHER, Plain, 5/16
42	1921333	1	CAPSCREW, Hex, 5/16-18 x 1
43	1704483	1	DUCT, Top, Muffler
44	934683	1	CLIP
45	1960295	6	SCREW, Flange Whiz, 1/4-20 x 5/8
46	1704506	1	SHROUD ASSY.
47	1667346	1	CAP, Pipe
48	1658032	1	DRAIN, Oil
49	1932849	1	LOCKNUT
50	920427	1	LOCKWASHER, External Tooth
51	1924940	3	WASHER, Plain, 13/32
52	1679101	1	FIELD ASSY., Clutch
53	1705318	1	ROTOR ASSY.
54	1705319	1	ARMATURE ASSY., Clutch
55	1679104	1	ACCESSORY KIT
56	1705358	1	FASTENER, Panel

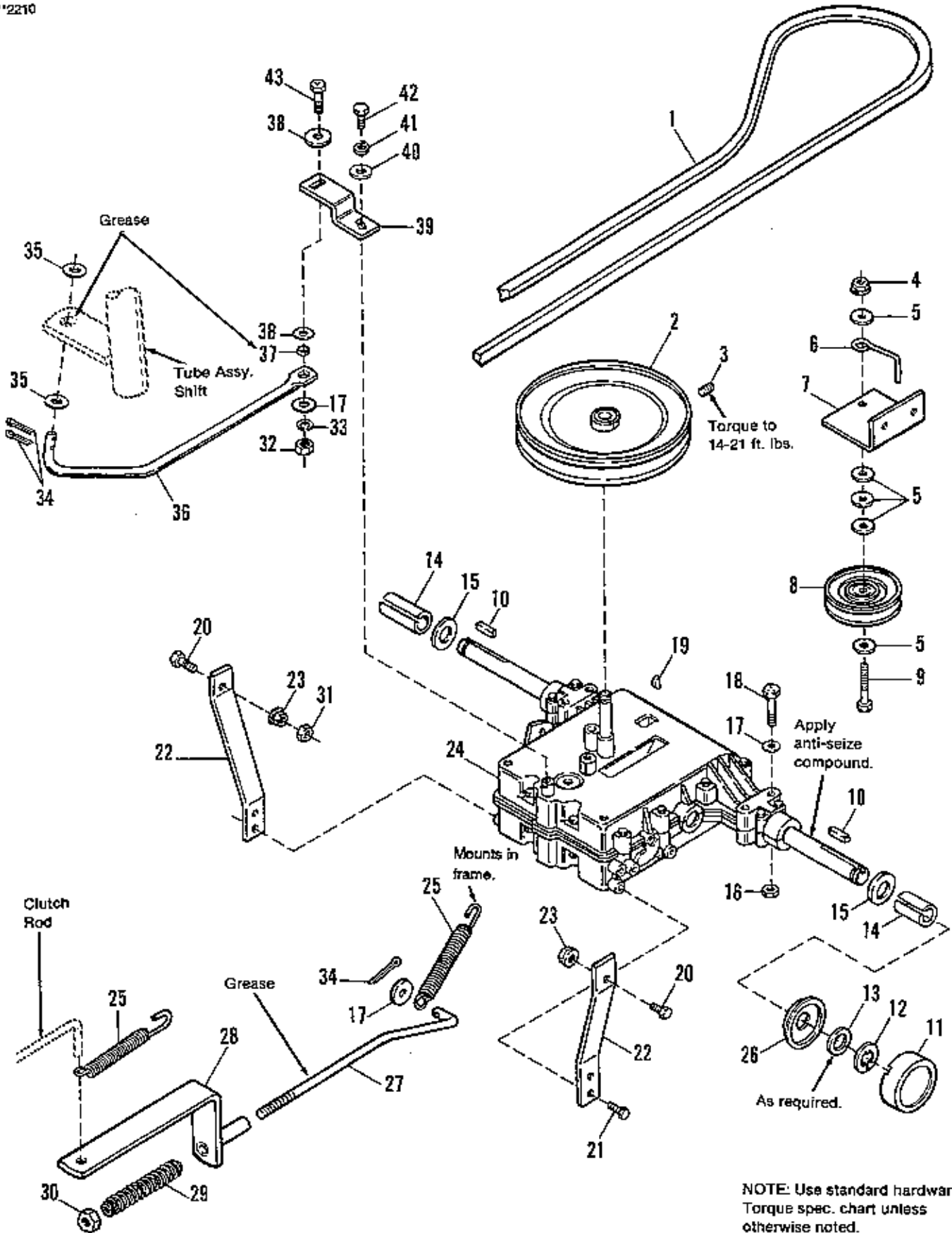
*See your local Briggs & Stratton Distributor for parts and service.



Ref. No.	Part No.	Qty.	Description
1	1666268	1	CABLE, Throttle
2	1930531	1	SCREW, Trusshead, 10-32 x 1/2
3	1931338	1	BOLT, Carriage, 5/16-18 x 1-3/4
4	1704334	1	HANDLE, Throttle
5	172038	1	KNOB, Throttle
6	960171	2	WASHER, Nylon
7	158475	1	CLIP, Bowden Wire
8	1704332	1	SPACER
9	1928919	1	NUT ASSY., 10-32
10	1704344	1	CABLE, Choke Control
11	1960256	3	SCREW, Plastite, 1/4-20 x 5/8
12	1704335	1	BRACKET, Throttle Mounting
13	101025	1	WASHER
14	162085	1	SPRING
15	1919381	1	WASHER, Plain, 5/16
16	1917356	3	LOCKWASHER, 5/16
17	1917372	2	NUT, Full, Hex, 5/16-18
18	1667346	1	CAP, Oil
19	1704343	1	DRAIN, Oil
20	1932849	1	LOCKNUT
21	1960112	2	CLAMP, Hose
22	1703956	1	SWITCH, Oil Pressure
23	1676861	1	HOSE, Fuel, 45.5' Long
*24		1	ENGINE, Twin Cylinder, 16 HP (Briggs & Stratton)
		1	ENGINE, Twin Cylinder, 12.5 HP (Briggs & Stratton)
25	171241	1	KEY
26	1704307	1	PULLEY ASSY.
27	1704419	2	BELT STOP
28	1703908	4	SCREW, Metric
29	1930598	3	SCREW, Tapite, 3/8-16 x 1-1/2
30	1703816	1	ELECTRIC CLUTCH (Incl. Ref. Nos. 48-51)
31	1960053	1	WASHER
32	1960370	1	CAPSCREW, 7/16-20 x 2-1/2
33	1918199	1	LOCKWASHER, 7/16
34	1704357	1	DUCT, Lower Muffler
35	960368	4	NUT, Pal, 1/4-20
36	1703971	1	MUFFLER ASSY.
37	935255	1	NUT, Pal, 5/16-18
38	1931342	1	CARRIAGE BOLT, 5/16-18 x 2-3/4
39	1676183	1	CLAMP, Muffler
40	1703986	1	MANIFOLD, Exhaust
41	1919326	2	WASHER, Plain, 11/32
42	1921333	1	CAPSCREW, Hex, 5/16-18 x 1
43	1707334	1	DUCT, Upper Muffler
44	934683	1	CLIP
45	1960295	4	SCREW, Flange Whiz, 1/4-20 x 5/8
46	920427	1	LOCKWASHER, External Tooth
47	1924940	2	WASHER, Plain, 13/32
48	1679101	1	FIELD ASSY., Clutch
49	1705318	1	ROTOR ASSY.
50	1705319	1	ARMATURE ASSY., Clutch
51	1679104	1	ACCESSORY KIT
*52		2	GASKET, Muffler
53	930598	1	SCREW, Tapite, 3/8-16 x 1-1/2
54	173206	1	FUEL FILTER

*See your local Briggs & Stratton Distributor for parts and service.

"2210

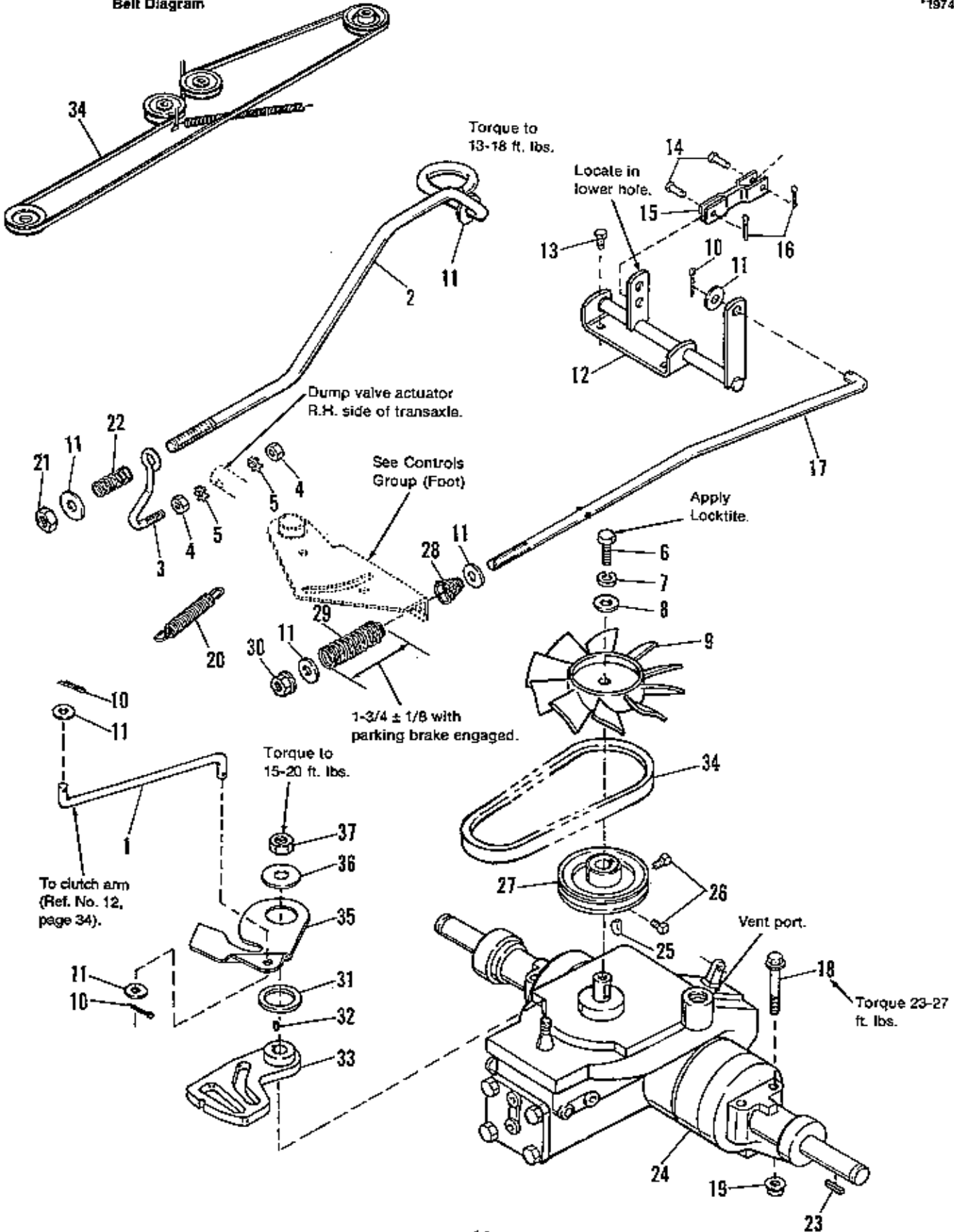


Ref. No.	Part No.	Qty.	Description
1	1703836	1	"V" BELT
2	1705482	1	PULLEY ASSY., Driven
3	1928721	2	SET SCREW, 5/16-18 x 1/2
4	1928352	1	NUT, Flange Whizlock, 3/8-16
5	1924940	5	WASHER, Plain, 3/8
6	1678924	1	BELT STOP
7	1705463	1	BRACKET, Pulley
8	1708029	1	PULLEY, Idler ("V")
9	1921971	1	CAPSCREW, Hex Hd., 3/8-16 x 1-3/4
10	8221042	2	KEY
11	1678519	2	HUBCAP
12	927794	2	"E" RING
13	1960114	2	WASHER (Rear Axle)
14	1667191	2	SPACER, Axle
15	1960160	2	WASHER
16	1931277	4	NUT, Whizlock, 5/16-18
17	1919326	6	WASHER, Plain, 5/16
18	1921160	4	CAPSCREW, Hex, 5/16-18 x 2-1/4
19	905123	1	KEY
20	1930595	2	SCREW, Hex Whiz, 5/16-18 x 1-1/4
21	1930601	4	SCREW, Taptite, 5/16-18 x 5/8
22	1705462	2	SUPPORT, Transmission
23	1927557	4	NUT, Hex, Flange, 5/16-18
*24		1	TRANSMISSION, 5 Speed
25	1706553	2	SPRING, Ext.
26	1701435	2	RETAINER, Hubcap
27	1705446	1	ROD, Brake
28	1705457	1	BRAKE ARM ASSY.
29	1663136	1	SPRING, Compression
30	1919438	1	NUT, Nylon, Lock, 5/16-18
31	1928698	1	NUT, Hex, Jam Lock, 5/16-18
32	1917372	1	NUT, Hex, Full, 5/16-18
33	1917358	1	LOCKWASHER, 5/16
34	1918447	3	COTTER PIN
35	1924361	2	WASHER, Plain, 1/2
36	1704435	1	ROD, Shift
37	1703900	1	SPACER
38	1919381	2	WASHER
39	1705500	1	LEVER, Shift
40	1960151	1	WASHER, Plain, 1/4
41	1916964	1	LOCKWASHER, 1/4
42	1922234	1	CAPSCREW, Hex Hd., 1/4-28 x 5/8
43	1921977	1	CAPSCREW, Hex, 5/16-18 x 1-1/4

*Obtain repair parts from your authorized Peerless/Tecumseh Distributor. Refer to pages 66 - 69 for component parts.

**2030
*1974

Belt Diagram



Ref. No.	Part No.	Qty.	Description
1	1704441	1	ROD, Neutral Return
2	1704684	1	ROD, Control Valve
3	1704683	1	ROD, Hydro Push Valve
4	1916622	2	NUT, Hex, Full, 1/4-20
5	1921880	2	LOCK WASHER, Ext. Tooth
6	1921961	1	CAPSCREW, 1/4-20 x 1-1/4
7	1916964	1	LOCKWASHER, 1/4
8	1960151	1	WASHER, 1/4
9	1700021	1	FAN, 10 Blade
10	1918447	3	COTTER PIN
11	1919326	6	WASHER, Plain, 13/32
12	1707472	1	BRACKET ASSY., Brake Lever
13	1925205	2	CAPSCREW, 5/16-18 x 5/8
14	1960296	2	PIN, Clevis
15	1705402	1	CLEVIS ASSY.
16	1918445	2	COTTER PIN
17	1704440	1	ROD, Brake
18	1921972	4	CAPSCREW, 3/8-16 x 2-1/2
19	1930645	4	NUT, Hex, Flange Lock, 3/8-16
20	159106	1	SPRING
21	1923358	1	NUT, Hex, Centerlock, 1/4-20
22	152006	1	SPRING
23	905100	2	KEY, 1/4 x 2-1/4
*24	1685451	1	HYDROSTATIC TRANSAXLE (See Note below)
25	930672	1	KEY, Hi Pro
26	1960110	2	SETSCREW, Sq. Hd., 1/4-28
27	1704375	1	PULLEY, Driven (For .75" Shaft Dia. See Note A)
	1705949	1	PULLEY, Driven (For 17mm (.67") Shaft Dia. See Note B)
28	153010	1	SPRING, Conical
29	157041	1	SPRING
30	1919438	1	NUT, Flange Lock, Nylon, 5/16-18
31	1704608	1	SPACER, Cam
32	905119	1	KEY, Woodruff, 1/8 x 1/2
33	1703287	1	CAM, Hydro
34	1607813	1	BELT, Drive
35	1703288	1	CAM, Neutral Return
36	924356	1	WASHER
37	1930651	1	NUT, Hex Lock, 3/8-16

Note: See pages 20 thru 25 for Eaton 750 Service parts.

* Eaton 750 used on the following models:

- 12.5 HP - all Mfg. No. 1691795
- 12.5 HP - Mfg. No. 1691886 before serial no. 11797
- 16 HP - Mfg. No. 1691807 before serial no. 7640
- 16 HP - Mfg. No. 1691939 before serial no. 1433
- 16 HP - Mfg. No. 1691940 before serial no. 1127

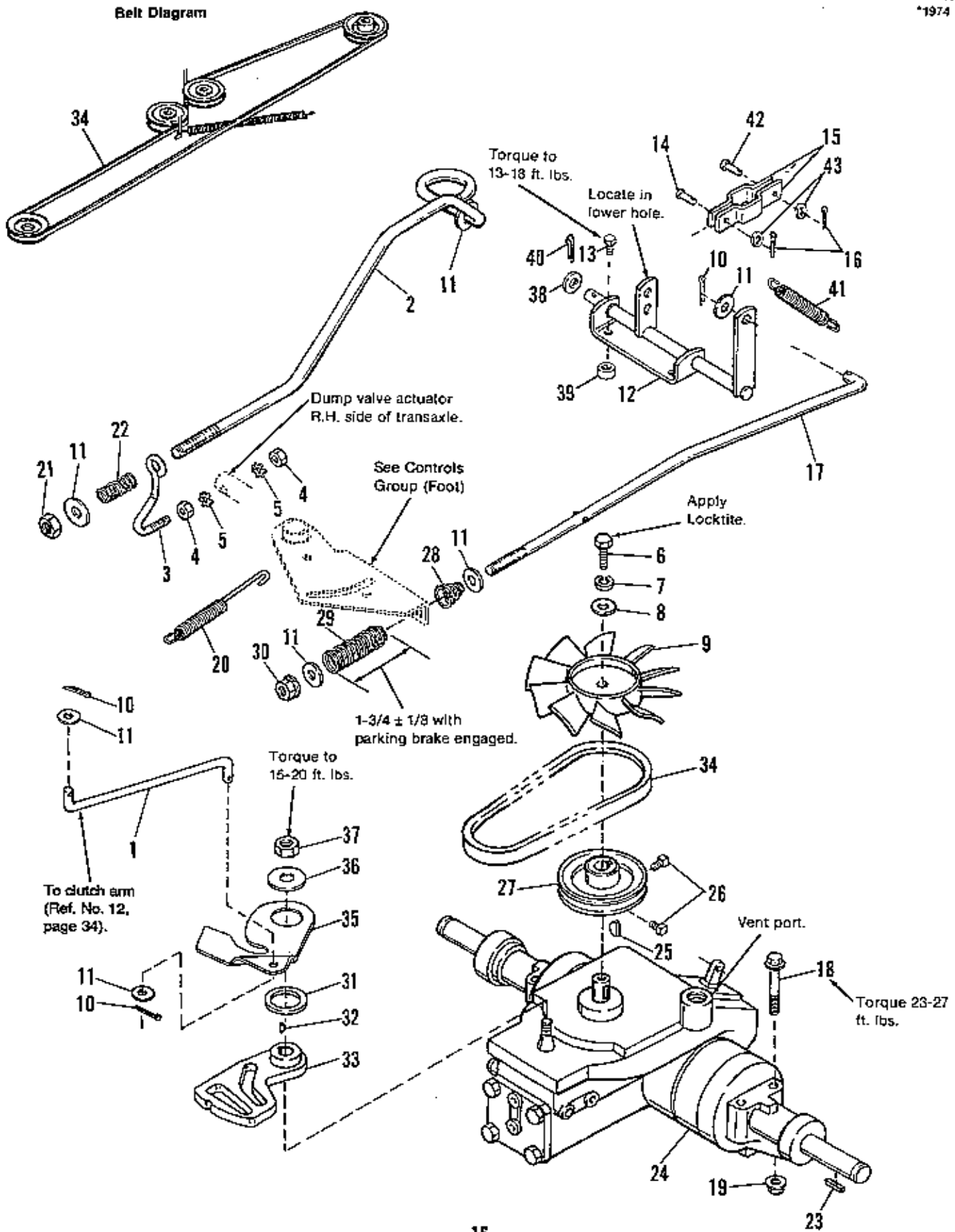
Note A: Eaton Model 750 Trans. with date code prior to 080190.

Note B: Eaton Model 750 Trans with date code after 073190.

If replacing complete transmission (Date coded prior to 080190) also replace pulley with Part No. 1705949.

Note: Make sure to identify transmission model number/date code before ordering parts.

**2030
*1974



Ref. No.	Part No.	Qty.	Description
1	1704441	1	ROD, Neutral Return
2	1704684	1	ROD, Control Valve
3	1704683	1	ROD, Hydro Push Valve
4	1916622	2	NUT, Hex, Full, 1/4-20
5	1921880	2	LOCK WASHER, Ext. Tooth
6	1921961	1	CAPSCREW, 1/4-20 x 1-1/4
7	1916964	1	LOCKWASHER, 1/4
8	1960151	1	WASHER, 1/4
9	1700021	1	FAN, 10 Blade
10	1918447	3	COTTER PIN
11	1919326	6	WASHER, Plain, 13/32
12	1707472	1	BRACKET ASSY., Brake Lever
13	1921221	2	CAPSCREW, 5/16-18 x 1-1/2
14	1960261	1	PIN, Clevis
15	1705401	2	CLEVIS BARS
16	1918445	2	COTTER PIN
17	1704440	1	ROD, Brake
18	1923903	4	CAPSCREW, 3/8-16 x 3
19	1930645	4	NUT, Hex, Flange Lock, 3/8-16
20	1707471	1	SPRING
21	1923358	1	NUT, Hex, Centerlock, 1/4-20
22	152006	1	SPRING
23	905100	2	KEY, 1/4 x 2-1/4
*24	1707386	1	HYDROSTATIC TRANSAXLE (See Note below)
25	930672	1	KEY, Hi Pro
26	1960110	2	SETSCREW, Sq. Hd., 1/4-28
27	1705949	1	PULLEY, Driven
28	153010	1	SPRING, Conical
29	157041	1	SPRING
30	1919438	1	NUT, Flange Lock, Nylon, 5/16-18
31	1704608	1	SPACER, Cam
32	905119	1	KEY, Woodruff, 1/8 x 1/2
33	1703287	1	CAM, Hydro
34	1607813	1	BELT, Drive
35	1703288	1	CAM, Neutral Return
36	924356	1	WASHER
37	1930651	1	NUT, Hex Lock, 3/8-16
38	1960027	1	WASHER
39	1673796	2	SPACER
40	1918452	1	COTTER PIN
41	121037	1	SPRING, Extension
42	1960296	1	PIN, Clevis
43	1960353	2	WASHER

Note: See pages 26 thru 29 for Eaton 751 service parts.

* Eaton 751 used on the following models:

12.5 HP - Mfg. No. 1691886 effective with serial no. 11797

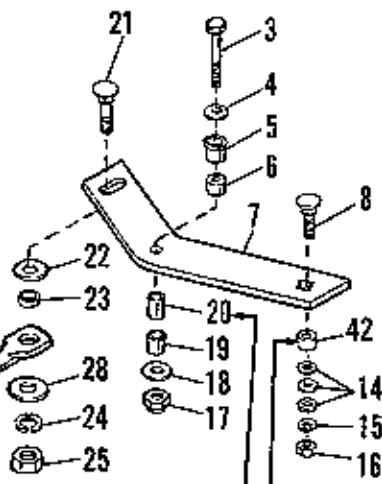
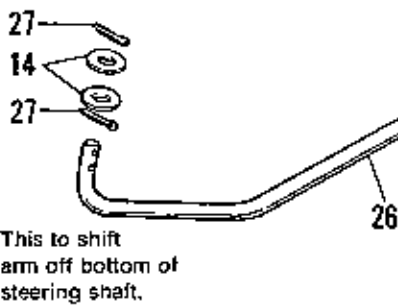
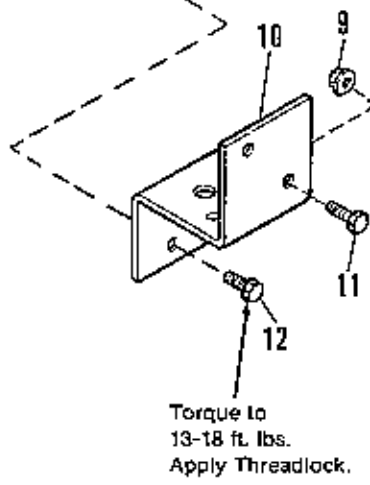
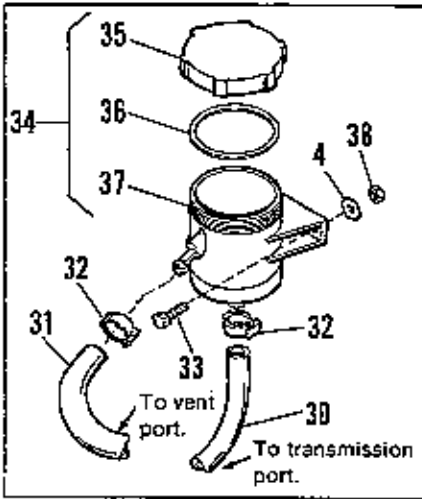
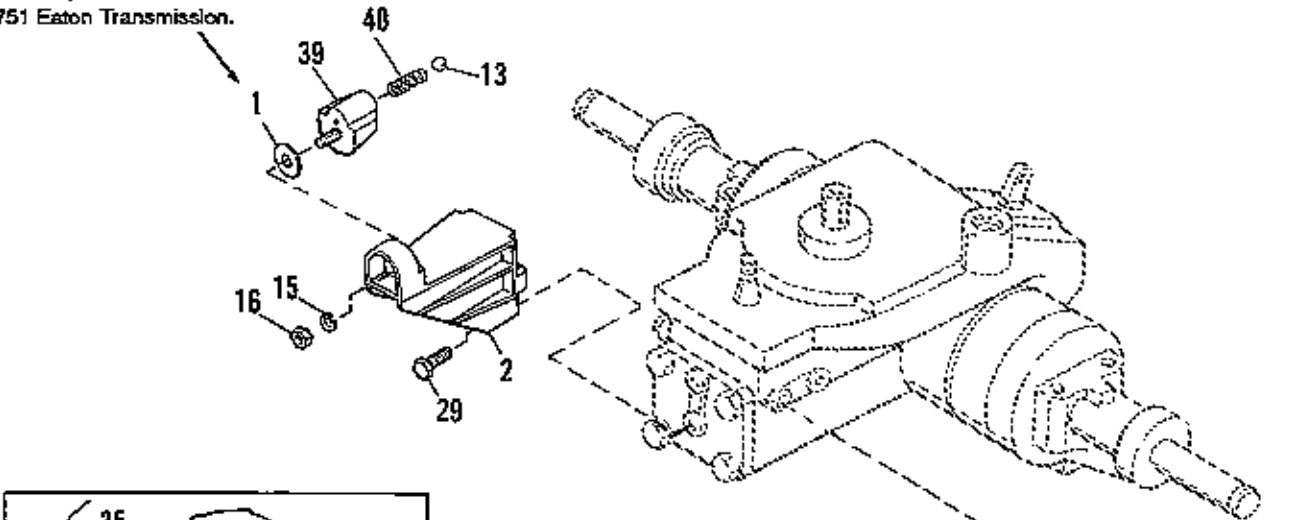
16 HP - Mfg. No. 1691807 effective with serial no. 7640

16 HP - Mfg. No. 1691939 effective with serial no. 1433

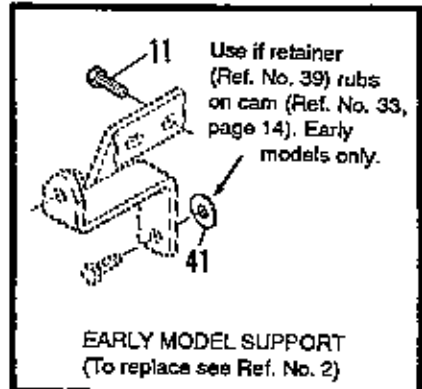
16 HP - Mfg. No. 1691940 effective with serial no. 1127

Note: Make sure to identify transmission model number before ordering parts.

Use only with Model 751 Eaton Transmission.

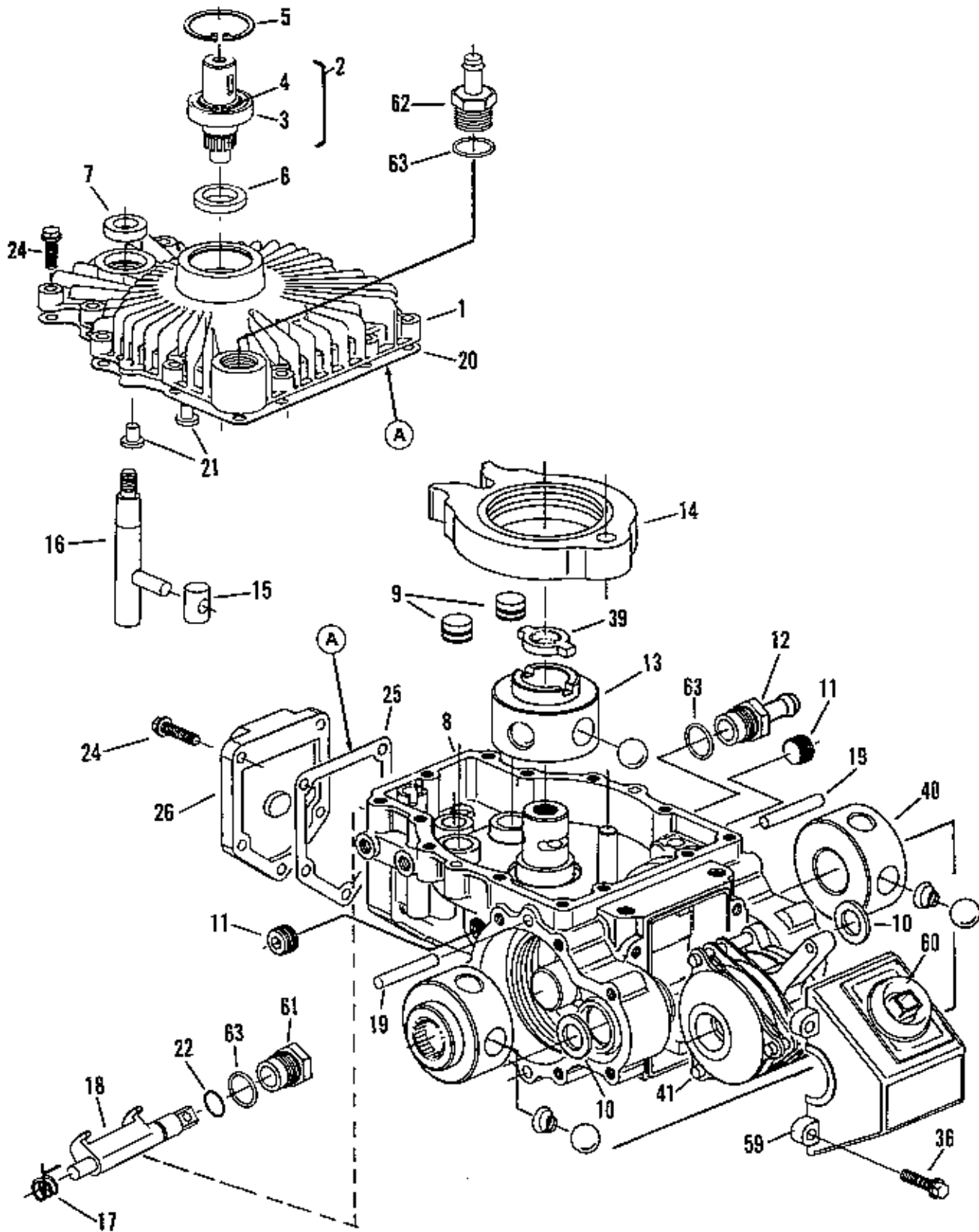


Some models with Eaton 751 may be equipped with different spacers (Ref. Nos. 20 & 42). If unit is equipped with notched shift lever, see page 37 for illustration and part nos.



NOTE: Use standard hardware torque spec. chart unless otherwise noted.

Ref. No.	Part No.	Qty.	Description
1	1960452	1	WASHER
2	1705400	1	SUPPORT, Detent
3	1921963	1	CAPSCREW, Hex Hd., 1/4-20 x 2
4	1921319	3	WASHER, 1/4
5	1704428	1	BUSHING, Plastic, 1/2 dia.
6	1704437	1	SPACER
7	1707188	1	LEVER, Speed Control
8	1931320	1	CARRIAGE BOLT, 1/4-20 x 1-1/4
9	1927557	2	NUT, Flange Whizlock, 5/16-18
10	1704432	1	BRACKET, Transmission, Mounting
11	1930591	2	SCREW, Hex, Flange Whizlock, 5/16-18 x 3/4 (Qty. 4 on Early Models.)
12	1934665	2	SCREW, Hex, Flange Whizlock, 5/16-18 x 5/8
13	917579	1	BALL
14	1924361	5	WASHER, 1/2
15	1916964	2	LOCKWASHER, 1/4
16	1916622	2	NUT, Hex Full, 1/4-20
17	1920397	1	NUT, Hex Lock, Esna, 1/4-20
18	1960151	1	WASHER
19	1704847	1	BUSHING
20	1708318	1	SPACER, Cam, Control
21	1960223	1	CARRIAGE BOLT, 5/16-18 x 1-1/4
22	1919381	1	WASHER, Plain
23	1703900	1	SPACER
24	1917356	1	LOCKWASHER, 5/16
25	1917372	1	NUT, Hex, Full
26	1704435	1	ROD, Shift
27	1918447	2	COTTER PIN
28	1919326	1	WASHER, Plain
29	1664847	2	SCREW, Taplite, 5/16-18 x 3/4
30	1706492	1	HOSE, Hydro to Reservoir, 66" Hose (12.5 HP Only)
	1706491	1	HOSE, Hydro to Reservoir, 58" Hose (16 HP Only)
31	1706493	1	HOSE, Reservoir to Hydro, Vent, 52" Hose (12.5 HP Only)
	1706490	1	HOSE, Reservoir to Hydro, Vent, 46" Hose (16 HP Only)
32	1706430	4	CLAMP, Hose
33	1921959	2	CAPSCREW, 1/4-20 x 5/8
34	1702488	1	RESERVOIR ASSY. (Incl. Ref. Nos. 35, 36, 37)
35	1700443	1	CAP
36	1700442	1	GASKET
37	1702489	1	RESERVOIR
38	1920397	2	NUT, Hex Lock, Nylon, 1/4-20
39	1707053	1	RETAINER, Ball
40	1704865	1	SPRING
41	960210	2	WASHER, Special, Nylon (Used on early models)
42	1708317	1	SPACER

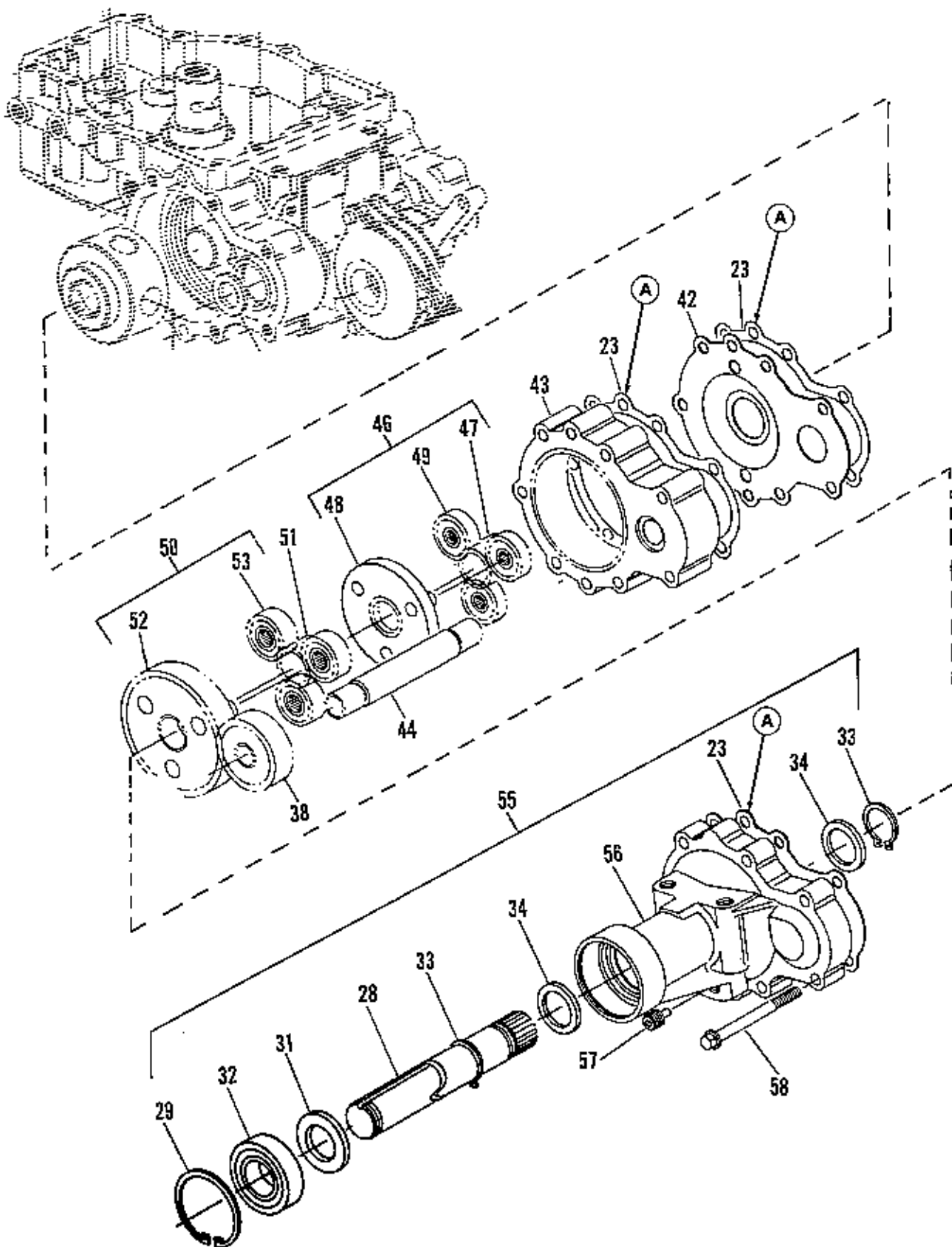


Ref. No.	Part No.	Qty.	Description
1	* 1702706	1	COVER SUBASSY., Top (use with 1702247 shaft)
	** 1705977	1	COVER SUBASSY., Top (use with 1705978 shaft)
2	* 1702247	1	SHAFT, Input, .75" Dia. (use with 1702706 cover)
	** 1705978	1	SHAFT, Input, 17mm (.67") Dia. (use with 1705977 cover)
3		1	BEARING, Input Shaft (See Ref. No. 2)
4		1	RING, Retaining, External (See Ref. No. 2)
5	1702707	1	RING, Retainer, Internal
6	* 1702248	1	SEAL, Oil
	** 1705979	1	SEAL, Oil
7	1671300	1	SEAL, Oil
8	1702744	1	HOUSING, CW
9	1702709	2	PISTON, Quieting
10	1702249	2	SEAL, Lip, Radial
11	930674	2	PLUG, Socket, Pipe
12	1702750	1	ADAPTOR
13	1702745	1	PUMP, Rotor, Ball
14	1702746	1	CAM, Ring
15	1702251	1	INSERT
16	1702252	1	CONTROL SHAFT
17	1702253	1	SPRING, Dump Valve
18	1702254	1	BRACKET
19	1702712	4	DOWEL
20	1702255	1	GASKET COVER (See "A" Below)
21	1702256	2	BUTTON
22	1671297	1	O-RING
24	1702705	5	CAPSCREW, Hex, Flange, 1/4-20
25	1702279	1	GASKET, Valve Cover (See "A" Below)
26	1702747	1	COVER, Valve
36	1702268	4	SCREW, 1/4-20 Self Tap
39	1702714	1	DRIVE
40	1702748	2	MOTOR, Rotor, Ball
41	1702271	1	BRAKE ASSY., Parking
59	1702286	1	COVER, Parking Brake
60	1702287	1	BOOT, Dust
61	1702720	1	FITTING
62	1703223	1	ADAPTER, Resv. 3/8"
63	1702284	3	O-RING, Fitting
A	1702280	1	GASKET OVERHAUL KIT (Incl. Ref. Nos. 20, 25 & 23-next page)

* Used on Eaton 750 before Date Code 080190.

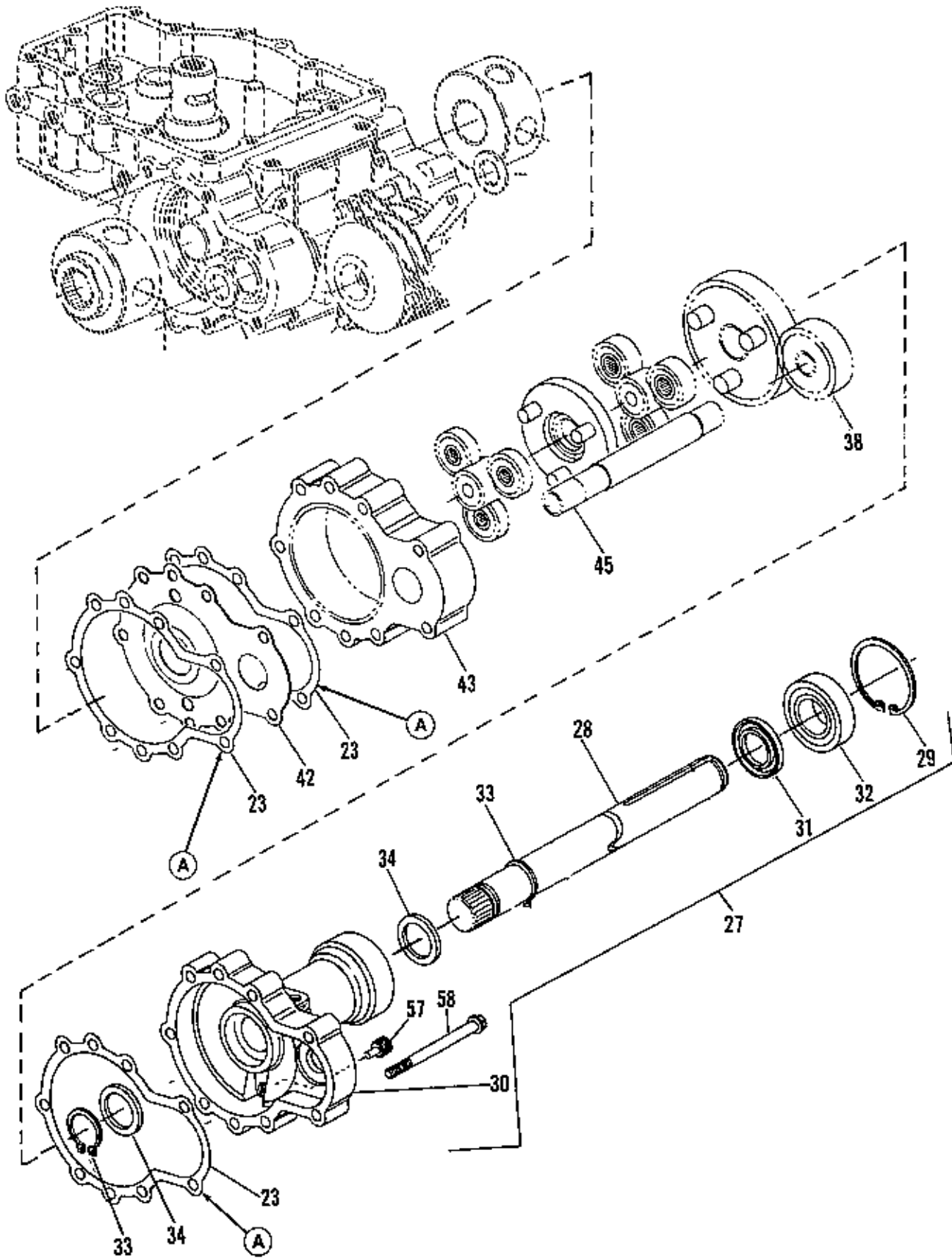
** Used on Eaton 750 after Date Code 073190.

Note: Make sure to identify transmission model number/date code before ordering parts.



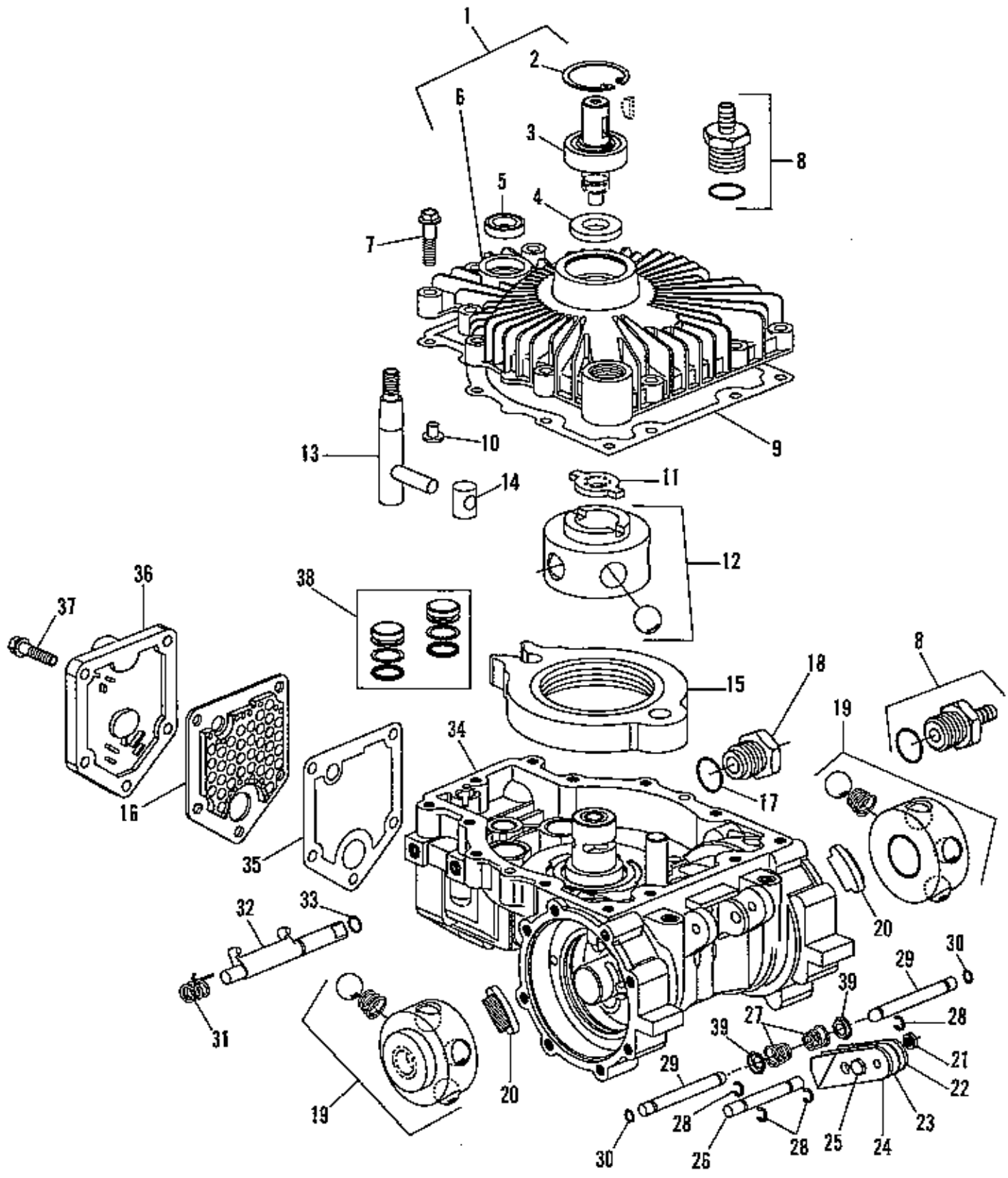
Ref. No.	Part No.	Qty.	Description
23	1702257	3	GASKET, Axle Housing (See "A" Below)
28	1702260	1	SHAFT, Axle
29	1702261	1	RETAINING RING, Internal
31	1702263	1	LIP SEAL, Radial
32	1702264	1	BEARING, Ball
33	992577	2	RETAINING RING, External
34	1702266	2	WASHER, Thrust
38	1702270	1	LOCK GEAR, Diff.
42	1702272	1	PLATE, Wear
43	1702749	1	RING GEAR, 54 Tooth
44	1702717	1	BRAKE SHAFT
46	1702277	1	PLANETARY GEAR (Incl. Ref. Nos. 47-49)
47		1	SUN GEAR (See Ref. No. 46)
48		1	PRIMARY CARRIER (See Ref. No. 46)
49		3	PLANETARY GEAR (See Ref. No. 46)
50	1702276	1	PLANETARY GEAR (Incl. Ref. Nos. 51-53)
51		1	SUN GEAR (See Ref. No. 50)
52		1	SECONDARY CARRIER (See Ref. No. 50)
53		3	PLANETARY GEAR (See Ref. No. 50)
55	1702275	1	AXLE HOUSING, L.H. (Incl. Ref. Nos. 28, 29, 31-34, 55 & 56)
56	1702278	1	HOUSING AXLE, L.H.
57	1702283	1	PLUG, Magnetic
58	1960340	7	CAPSCREW, Hex, Flange, 1/4-20 x 2-3/4
A	1702280	1	GASKET OVERHAUL KIT (Incl. Ref. Nos. 20, 23 & 25)

Note: Make sure to identify transmission model number/date code before ordering parts.



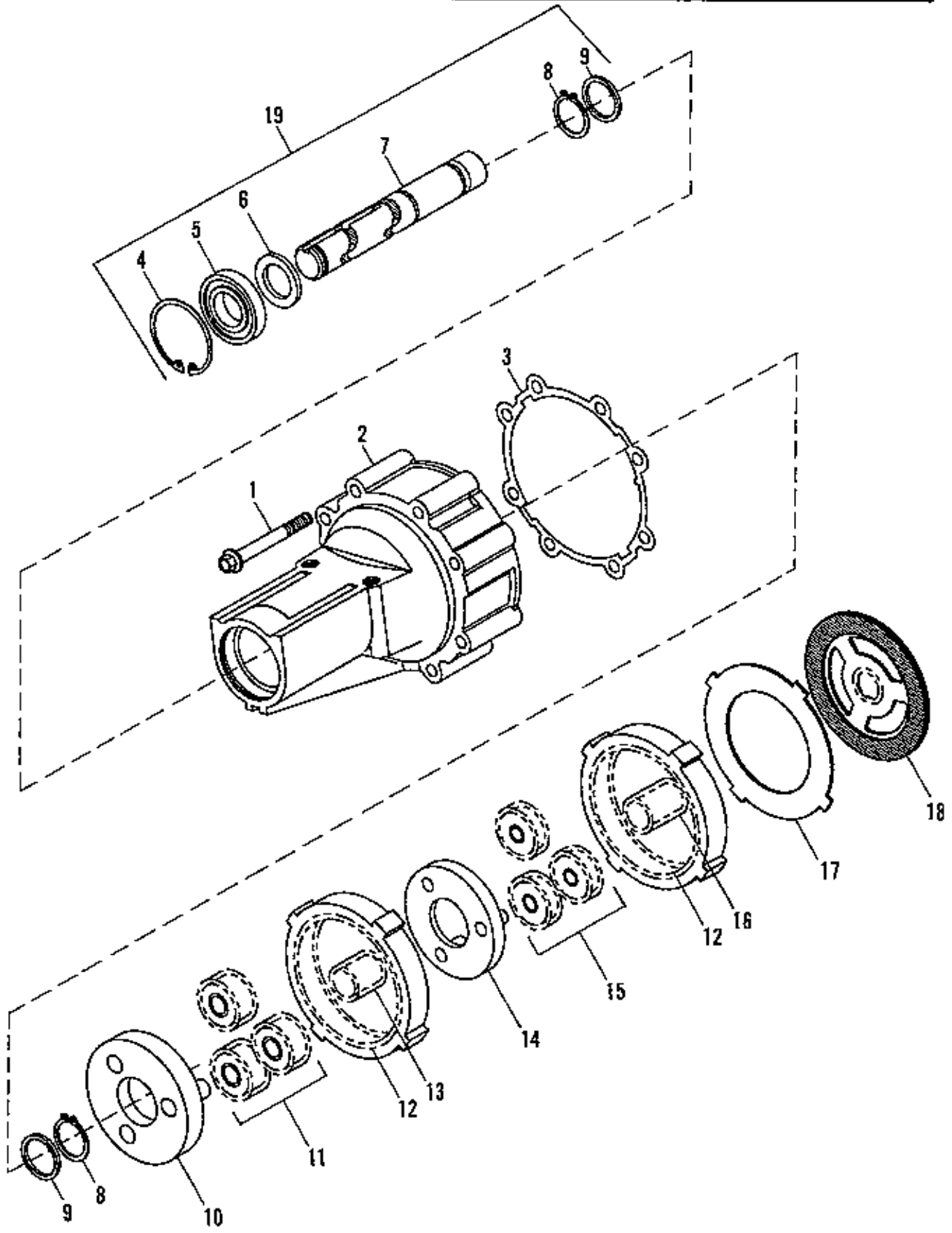
Ref. No.	Part No.	Qty.	Description
23	1702257	3	GASKET, Axle Housing
27	1702259	1	AXLE HOUSING, R.H. (Incl. Ref. Nos. 28-34)
28	1702260	1	SHAFT, Axle
29	1702261	1	RETAINING RING, Internal
30	1702262	1	HOUSING, Axle, R.H.
31	1702263	1	LIP SEAL, Radial
32	1702264	1	BEARING, Ball
33	932577	2	RETAINING RING, External
34	1702266	2	WASHER, Thrust
38	1702270	1	LOCK GEAR, Diff.
42	1702272	1	PLATE, Wear
43	1702749	1	RING GEAR, 54 Tooth
45	1702718	1	BRAKE SHAFT, R.H.
57	1702283	1	PLUG, Magnetic
A	1702280	1	GASKET OVERHAUL KIT (Incl. Ref. Nos. 20, 23 & 25)

Note: Make sure to identify transmission model number/date code before ordering parts.



Ref. No.	Part No.	Qty.	Description
1	1	1705977	COVER ASSY. (Incl. Ref. Nos. 2, 3, 4, 5 & 6)
2	1	1702707	RING, Ret., External
3	1	1705978	SHAFT ASSY, Input
4	1	1705979	SEAL, Input Shaft
5	1	1671300	SEAL, Control Shaft
6	1		COVER (See Ref. No. 1)
7	13	1702268	SELF-TAP SCREW, .25-20
8	2	1708152	O-RING BARB FITTING ASSY.
9	1	1702255	COVER GASKET
10	2	1702256	BUTTON
11	1	1702714	DRIVE
12	1	1702745	PUMP, Rotor-Ball
13	1	1702252	CONTROL SHAFT
14	1	1702251	INSERT
15	1	1708125	CAM RING
16	1	1708130	FILTER, Hydraulic
17	1	1702284	O-RING
18	1	1702720	FITTING
19	2	1702748	MOTOR ROTOR-BALL, 18 Teeth
20	2	1708135	PAD, Friction
21	1	1708171	NUT, Hex, Lock
22	1	1708169	LEVER, Brake, LH
23	A/R	1708170	SHIM
24	1	1708168	LEVER, Brake, RH
25	1	1708167	SCREW, Cap, Hex
26	1	1708166	SHAFT, Brake
27	2	1708165	SPRING, Conical
28	4	1708163	E-RING
29	2	1708162	ROD, Push
30	2	1708161	QUAD SEAL
31	1	1702253	SPRING, Dump Valve
32	1	1702254	BRACKET
33	1	1671297	O-RING
34		1708127	HOUSING
35	1	1708131	VALVE COVER GASKET
36	1	1708128	VALVE COVER
37	5	1707205	CAPSCREW, Hex, Flange, 1/4 - 20
38	2	1702709	PISTON, Quieting
39	2	1708404	SPRING BASE

Note: Make sure to identify transmission model number/date code before ordering parts.

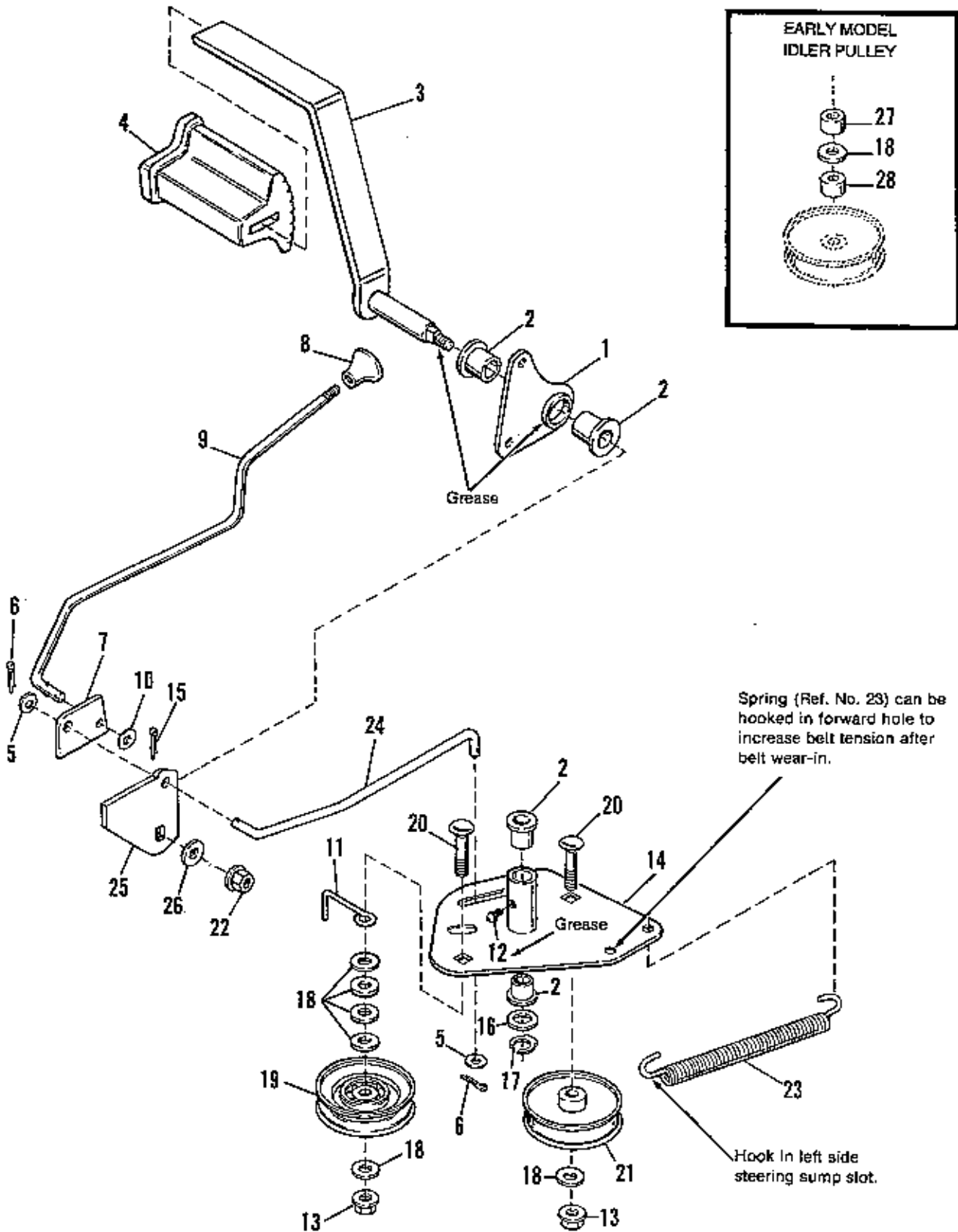


Axle Group

Ref. No.	Part No.	Qty.	Description
Note: A-Side (Left) and B-Side (Right) are identical axles.			
1	8	1708133	SCREW, .25-20 Hex Flg.
2	1	1708148	HOUSING, Axle
3	1	1708134	AXLE HOUSING GASKET
4	1	1702261	RING, Ret, Internal
5	1	1702264	BEARING, Ball
6	1	1702263	SEAL, Radial Lip
7	1	1708149	SHAFT, Axle
8	2	932577	RING, Ret, External
9	2	1702266	WASHER, Thrust
10	1	1708144	SECONDARY CARRIER
11	3	1708143	PLANET GEAR, Second, 18 Teeth
12	2	1708139	GEAR, Ring, 54 Teeth
13	1	1708142	SUN GEAR, Second, 18 Teeth
14	1	1708141	PRIMARY CARRIER, 18 Teeth
15	3	1708140	PLANET GEAR, First, 18 Teeth
16	1	1708138	SUN GEAR, First, 18 Teeth
17	1	1708137	PLATE, Back-up
18	1	1708136	PLATE, Reaction
19	1	1708145	AXLE HOUSING ASSY. (Contains Ref. Nos. 2, 4-9)

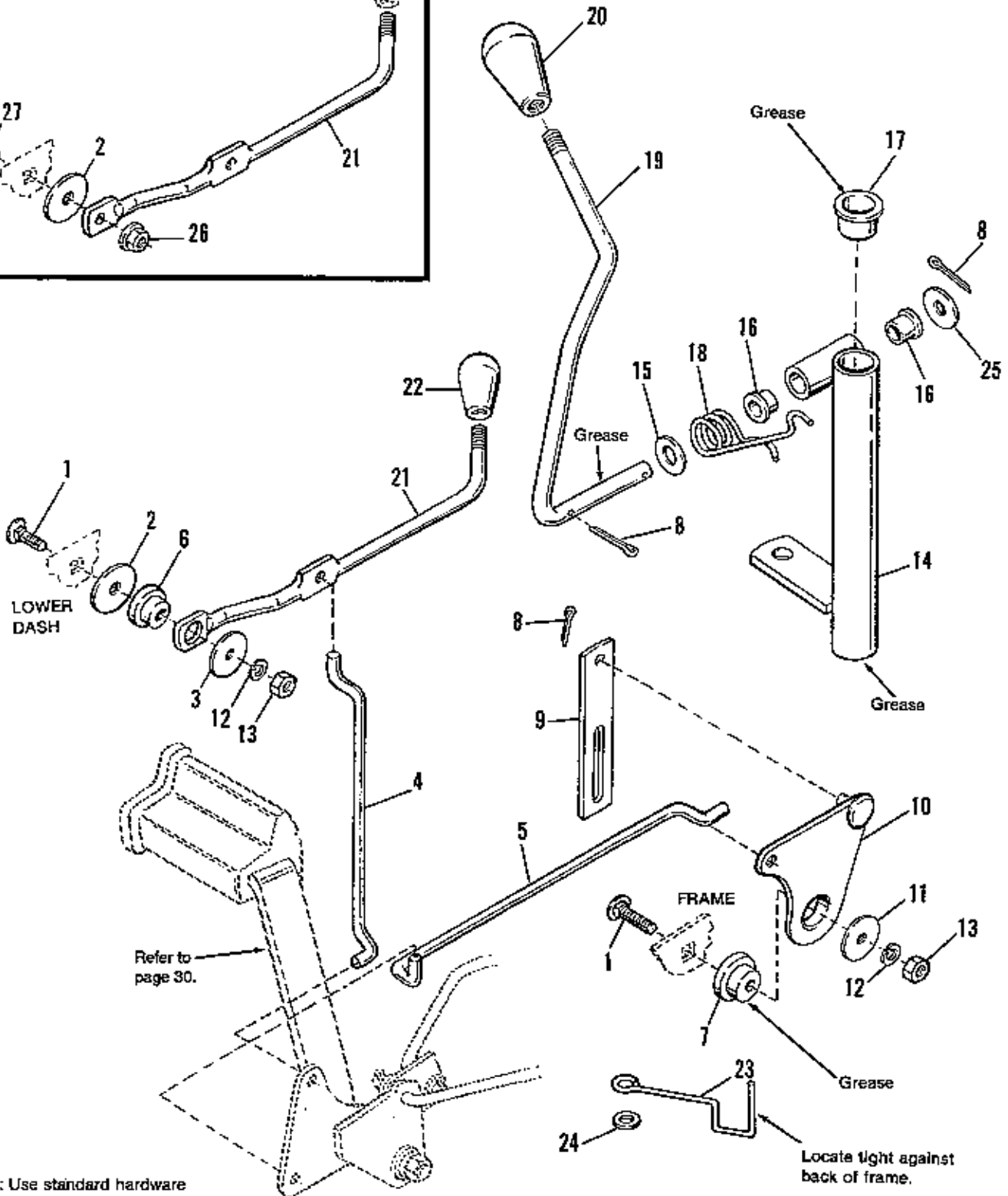
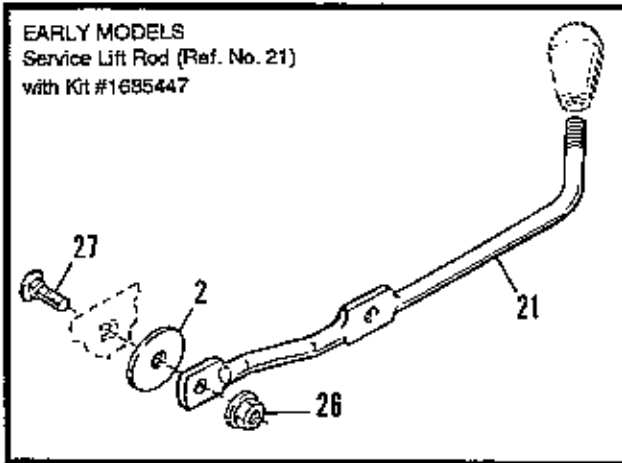
Note: Make sure to identify transmission model number/date code before ordering parts.

**2193



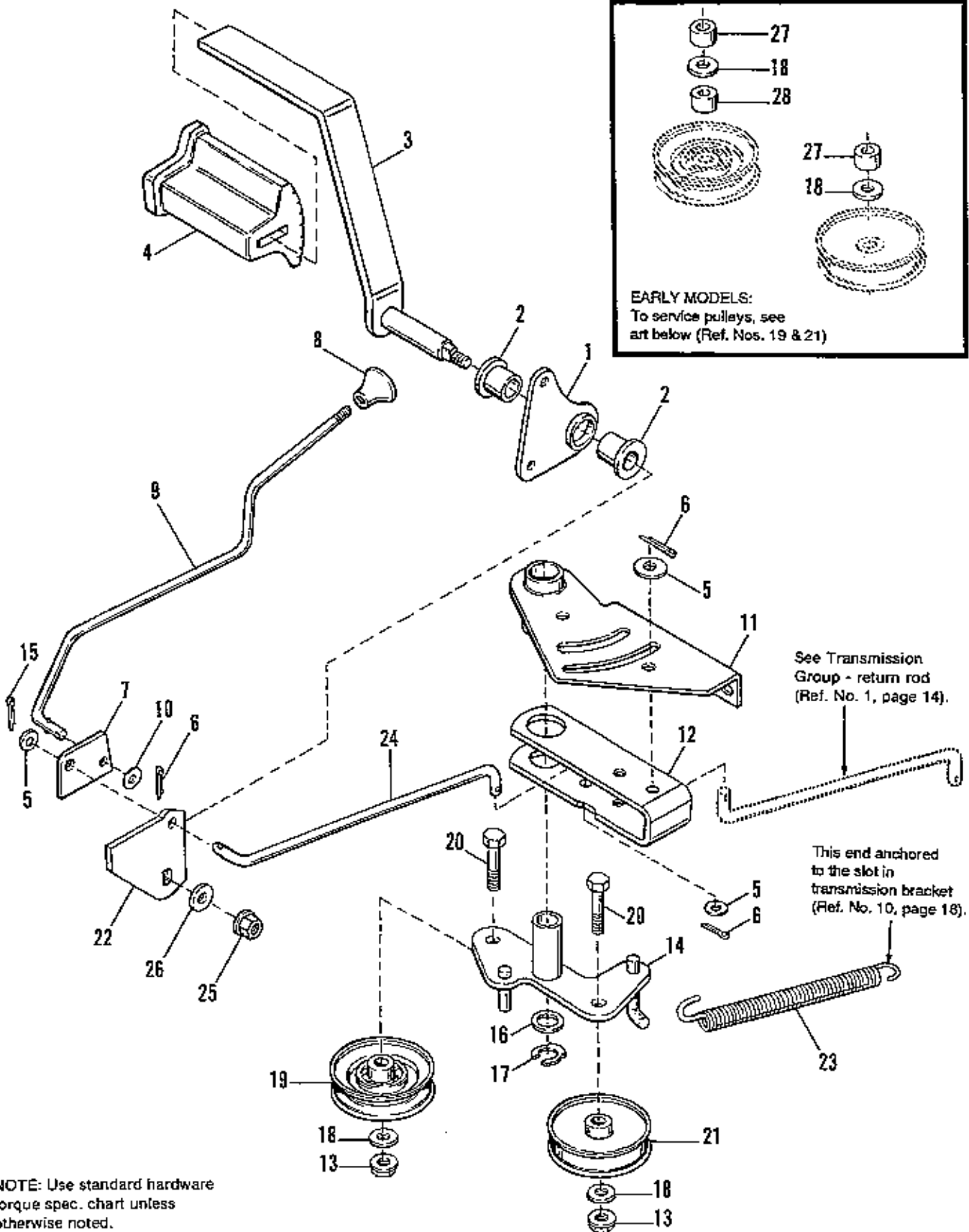
NOTE: Use standard hardware torque spec. chart unless otherwise noted.

Ref. No.	Part No.	Qty.	Description
1	1704621	1	CAM, Lift
2	1663114	4	BUSHING, Plastic
3	1704295	1	BRAKE PEDAL ASSY.
4	1704309	1	PAD, Foot Pedal
5	1919326	2	WASHER, Plain, 11/32
6	1918447	2	COTTER PIN
7	1704429	1	CAM, Parking Brake
8	1676374	1	KNOB, Plastic
9	1704829	1	ROD, Parking Brake
10	1921319	1	WASHER, Plain, 9/32
11	1678924	1	BELT STOP
12	921133	1	FITTING, Grease
13	1928352	2	NUT, Flange Whizlock, 3/8-16
14	1705442	1	ARM ASSY., Idler
15	1923360	1	COTTER PIN
16	1960020	1	WASHER, 5/8
17	1704420	1	KLIPRING, 5/8
18	1924940	7	WASHER, Plain, 13/32 (Qty. 8 on Early Model Idler Pulley)
19	1708029	1	PULLEY "V"
20	1931353	2	CARRIAGE BOLT, 3/8-16 x 1-3/4
21	1707289	1	PULLEY, Idler
22	1919439	1	NUT, Hex ESNA, 3/8-16
23	1666759	1	SPRING, Drive
24	1705451	1	ROD, Clutch, 5/16 Dia.
25	1704406	1	ARM, Foot Pedal
26	1922755	1	WASHER
27	157081	1	SPACER
28	1666294	1	SPACER



NOTE: Use standard hardware torque spec. chart unless otherwise noted.

Ref. No.	Part No.	Qty.	Description
1	1960223	2	CARRIAGE BOLT, 5/16-18 x 1-1/4
2	1924356	1	WASHER, Plain, 13/32 x 1-1/2 x 1/8
3	1919381	1	WASHER
4	1704623	1	LINK, Lift Upper
5	1704624	1	LINK, Lift
6	1705590	1	SPACER, Special
7	1704629	1	SPACER, Special
8	1918447	3	COTTER PIN
9	1704756	1	LINK, Lift, Upper Transport
10	1704825	1	CAM, Lift Assy.
11	1960044	1	WASHER, Plain, 21/64 x 1-1/4
12	1917356	2	LOCKWASHER, 5/16
13	1917372	2	NUT, Hex, 5/16-18
14	1705487	1	SHIFT LEVER ASSY.
15	1924361	1	WASHER, Plain
16	1704428	2	BUSHING, Plastic, 1/2 Dia.
17	176440	1	BUSHING, Nylon, 3/4 Dia.
18	1704422	1	SPRING, Torsion
19	1704421	1	LEVER, Shift
20	1676743	1	KNOB, Plastic
21	1685447	1	ROD, Lift Handle (Early Models)
	1705931	1	ROD, Lift Handle (Later Models)
22	172038	1	KNOB
23	1705638	1	BELT STOP
24	1924940	1	WASHER, Plain
25	1960206	1	WASHER, 1/2
26	1919438	1	NUT, Hex ESNA Lock, 5/16-18
27	1931335	1	CARRIAGE BOLT, 5/16-18 x 1



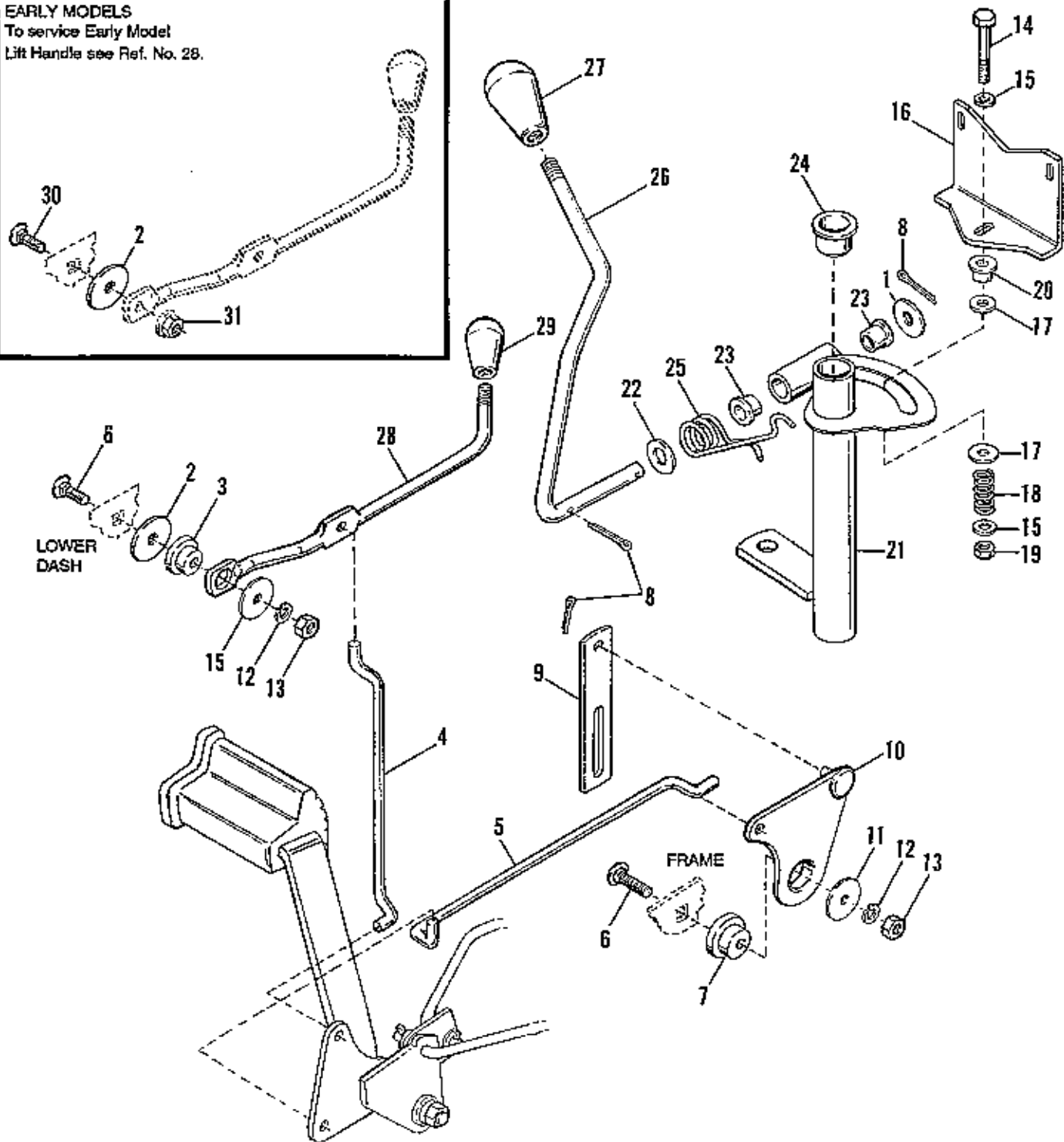
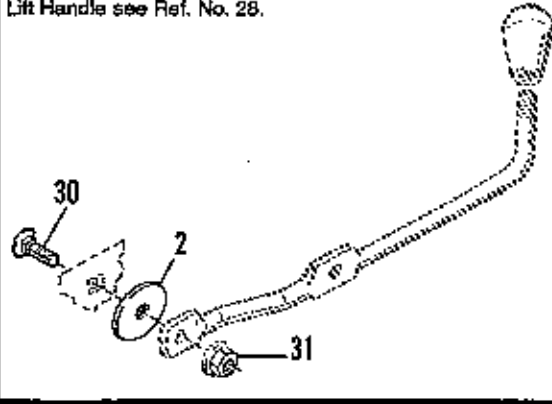
Ref. No.	Part No.	Qty.	Description
1	1704621	1	CAM, Lift
2	1663114	2	BUSHING, Plastic
3	1704295	1	BRAKE PEDAL ASSY.
4	1704309	1	PAD, Foot Pedal
5	1919326	2	WASHER, Plain, 11/32
6	1923360	2	COTTER PIN
7	1704429	1	CAM, Parking Brake
8	1676374	1	KNOB, Plastic
9	1704829	1	ROD, Parking Brake
10	1921319	1	WASHER, Plain, 9/32
11	1708001	1	ACTUATOR ASSY.
12	1708000	1	LEVER, Clutch
13	1928352	2	NUT, Flange Whizlock, 3/8-16
14	1704408	1	PIVOT ASSY., Idler
15	1918447	1	COTTER PIN
16	1960020	1	WASHER, 5/8
17	1704420	1	KLIpring, 5/8
18	1924940	5	WASHER, Plain, 13/32
19	1707288	1	PULLEY "V"
20	1921971	2	CAPSCREW, 3/8-16 x 1-3/4
21	1707288	1	PULLEY, Idler
22	1707509	1	SPRING, Drive
23	1704430	1	ROD, Clutch, 5/16 Dia.
24	1704408	1	ARM, Foot Pedal
25	1919439	1	NUT, Hex ESNA, 3/8-16
26	1922755	1	WASHER
27	157081	2	SPACER
28	1666294	1	SPACER

**2033

EARLY MODELS

To service Early Model

Lift Handle see Ref. No. 28.

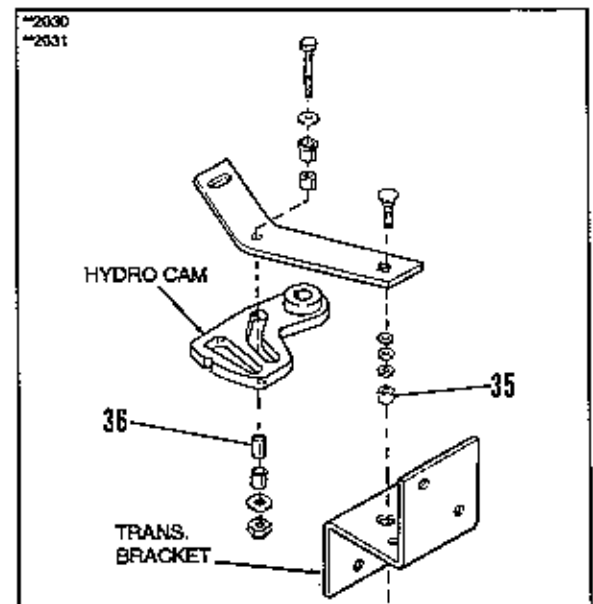
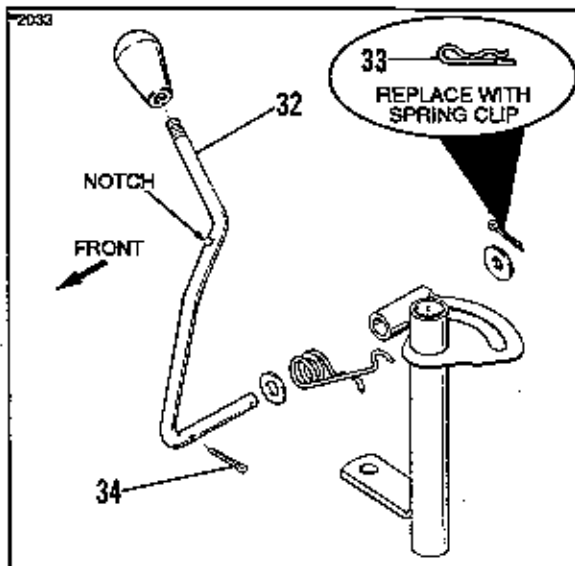


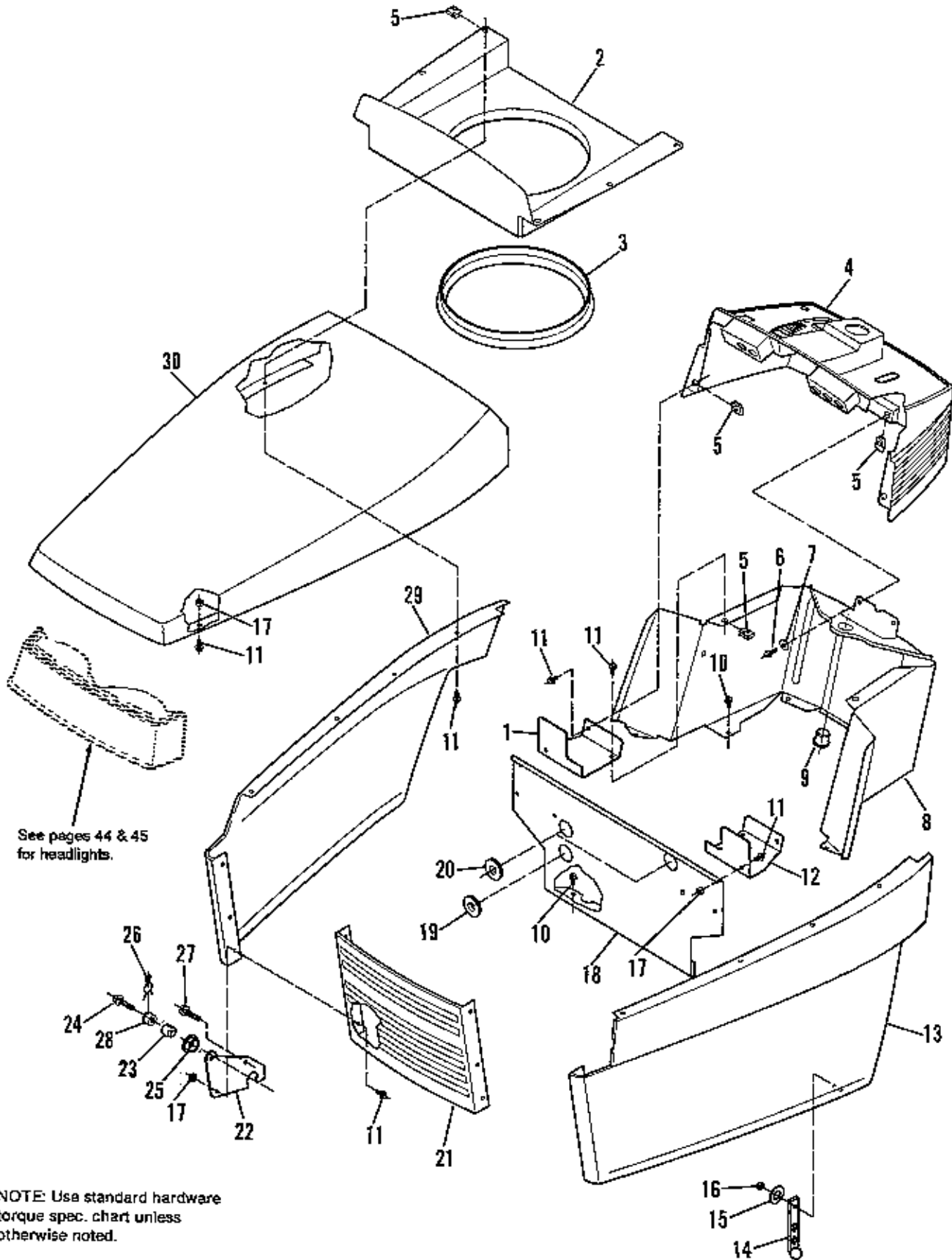
NOTE: Use standard hardware torque spec. chart unless otherwise noted.

Ref. No.	Part No.	Qty.	Description
1	1960206	1	WASHER, 1/2
2	1924356	1	WASHER, Plain, 13/32 x 1-1/2 x 1/8
3	1705590	1	SPACER, Special
4	1704623	1	LINK, Lift Upper
5	1704624	1	LINK, Lift
6	1960223	2	CARRIAGE BOLT, 5/16-18 x 1-1/4
7	1704629	1	SPACER, Special
8	1918447	3	COTTER PIN
9	1704756	1	LINK, Lift, Upper Transport
10	1704825	1	CAM, Lift Assy.
11	1960044	1	WASHER, Plain, 21/64 x 1-1/4
12	1917356	2	LOCKWASHER, 5/16
13	1917372	2	NUT, Hex, 5/16-18
14	1922127	1	CAPSCREW, 5/16-18 x 1-3/4
15	1919381	2	WASHER, Plain, 5/16
16	1704620	1	BRACKET, Tension
17	1960020	2	WASHER, Plain, 5/8, 21/32
18	162085	1	SPRING
19	1919438	1	NUT, Hex, Esna Lock, 5/16-18
20	1704332	1	SPACER
21	1704423	1	SHIFT LEVER ASSY.
22	1924361	1	WASHER, Plain
23	1704428	2	BUSHING, Plastic, 1/2 Dia.
24	176440	1	BUSHING, Nylon, 3/4 Dia.
25	1704422	1	SPRING, Torsion
26	1704421	1	LEVER, Shift - See Note Below
27	1676743	1	KNOB, Plastic
28	1685447	1	ROD, Lift Handle (Early Models)
	1705931	1	ROD, Lift Handle (Later Models)
29	172038	1	KNOB
30	1931335	1	CARRIAGE BOLT, 5/16-18 x 1 (Early Models Only)
31	1935048	1	NUT, Hex Flange Lock, 5/16-18 (Early Models Only)

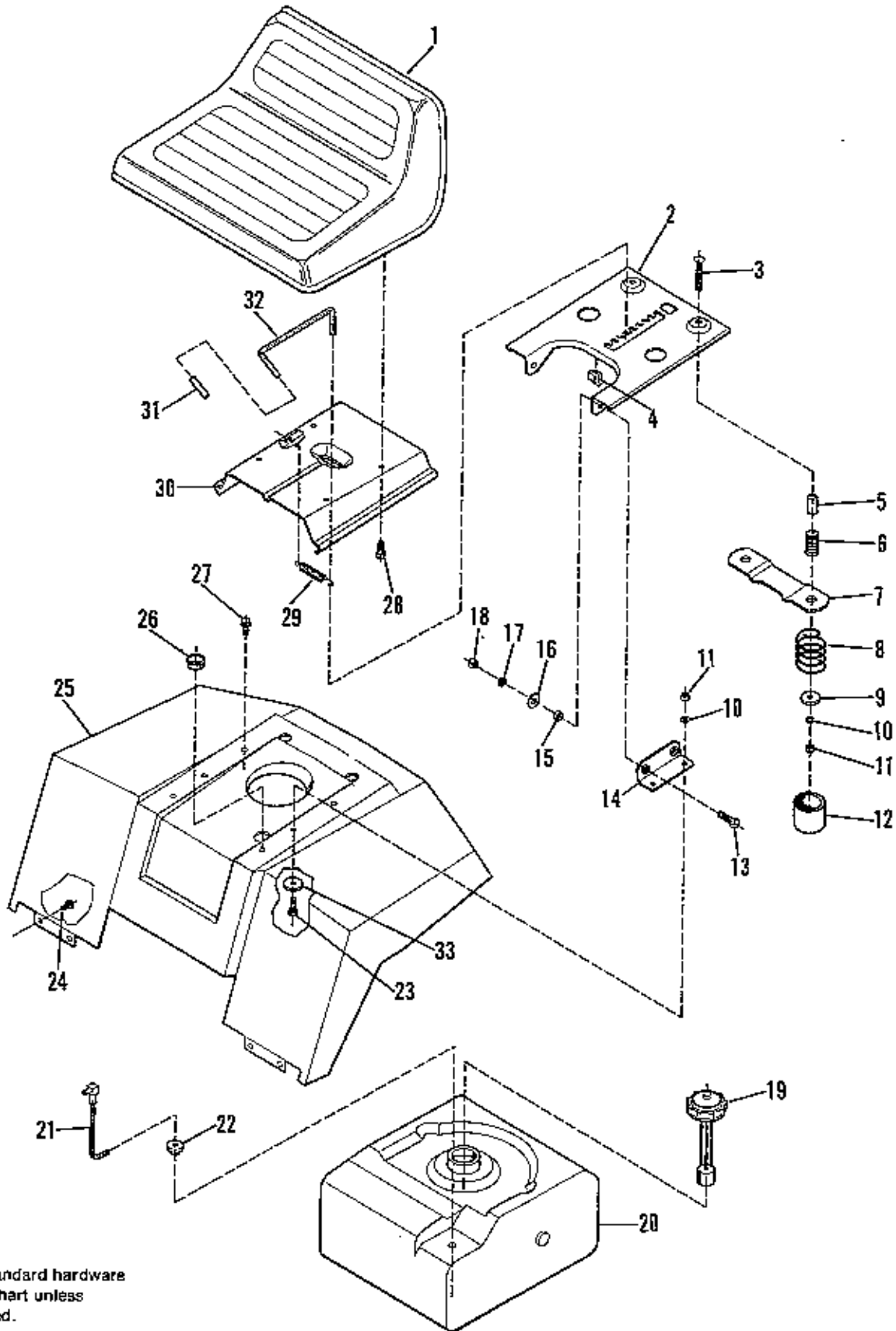
Note: Some models may be equipped with a notched shift lever, Ref. No. 32 instead of shift lever, Ref. No. 26. If notched lever is installed, Ref. Nos. 33-36 are installed. See illustration below.

32	1708289	1	LEVER, Shift (with notch)
33	1960074	1	CLIP, Spring
34	1918447	1	PIN, Cotter
35	1708317	1	SPACER
36	1708318	1	SPACER





Ref. No.	Part No.	Qty.	Description
1	1704134	1	SUPPORT, Bulkhead, R.H.
2	1707325	1	AIR DUCT
3	1707326	1	MOLDING, Air Duct
4	1703988	1	DASH ASSY. (Hydro Units only)
	1705470	1	DASH ASSY. (Gear Units only)
5	960368	10	PAL NUT, 1/4-20
6	1930594	2	SCREW, Cap Whizlock, 1/4-20 x 3/4 (Hydro Units Only)
7	1921319	2	WASHER, Plain, 1/4
8	1707278	1	DASH, Lower
9	176440	1	BUSHING, Nylon
10	1925003	8	SCREW, Taptitie, 1/4-20 x 1/2
11	1960295	18	CAPSCREW, Whizlock, 1/4-20 x 5/8 (Qty. 20 on Gear Units)
12	1704133	1	SUPPORT, Bulkhead, L.H.
13	1704879	1	SIDE PANEL ASSY., L.H.
14	171600	2	STRAP, Hood
15	1960096	2	WASHER, Special
16	1933896	2	NUT, Hex Lock, Nylon #10-24
17	1920397	10	NUT, Hex Nylon Lock, 1/4-20
18	1707580	1	BULKHEAD
19	1704927	1	GROMMET, Wire Harness
20	1704342	2	GROMMETS, Bulkhead
21	1703292	1	GRILLE
22	1704316	2	HINGE, Hood
23	1705249	2	SPACER
24	1960373	2	SCREW, Taptitie, 5/16-18 x 1
25	1704626	2	SPACER, Hood
26	1704628	2	CLIP, Hairpin
27	1930601	2	SCREW, Taptitie, 5/16-18 x 5/8
28	1705248	2	PIVOT, Hood
29	1704878	1	SIDE PANEL ASSY., R.H.
30	1703240	1	HOOD



NOTE: Use standard hardware torque spec. chart unless otherwise noted.

Ref. No.	Part No.	Qty.	Description
1	1707492	1	SEAT
2	1704158	1	PLATE, Seat
3	1931339	2	CARRIAGE BOLT, 5/16-18 x 2
4	173783	1	CLIP, Speed
5	1704299	2	SPACER
6	1704402	2	SPRING, Compression
7	1704284	1	PLATE, Switch
8	1704728	2	SPRING, Compression
9	1933468	2	WASHER, Plain
10	1917356	6	LOCKWASHER, 5/16
11	1917372	6	NUT, Hex, Full, 5/16-18
12	1704724	2	COVER, Spring
13	1920415	2	CAPSCREW, Hex Hd., 3/8-16x 1
14	1704285	2	BRACKET, Seat Suspension
15	1611705	2	SPACER
16	1924940	2	WASHER, Plain, 13/32
17	916965	2	LOCKWASHER, 3/8
18	916950	2	NUT, Hex Hd., 3/8
19	1704366	1	CAP, Fuel Gauge
20	1708054	1	TANK, Fuel
21	1704108	1	ELBOW & TUBE ASSY.
22	1654930	1	BUSHING
23	1921332	4	CAPSCREW, Hex Hd., 5/16-18 x 3/4
24	1925003	4	SCREW, Taptite, 1/4-20 x 1/2
25	1685452	1	SEAT DECK
26	1701229	1	BUSHING, Snap
27	1930601	2	SCREW, Taptite, 5/16-18 x 5/8
28	1930591	4	BOLT, Hex, Whizlock, 5/16-18 x 3/4
29	159159	1	SPRING
30	1704159	1	BRACKET, Seat Slide
31	1704723	1	HANDLE, Grip
32	1704317	1	LEVER, Seat Release
33	1919391	4	WASHER, Plain

* Used on all Mfg. No. 1691891 before serial no. 3075.

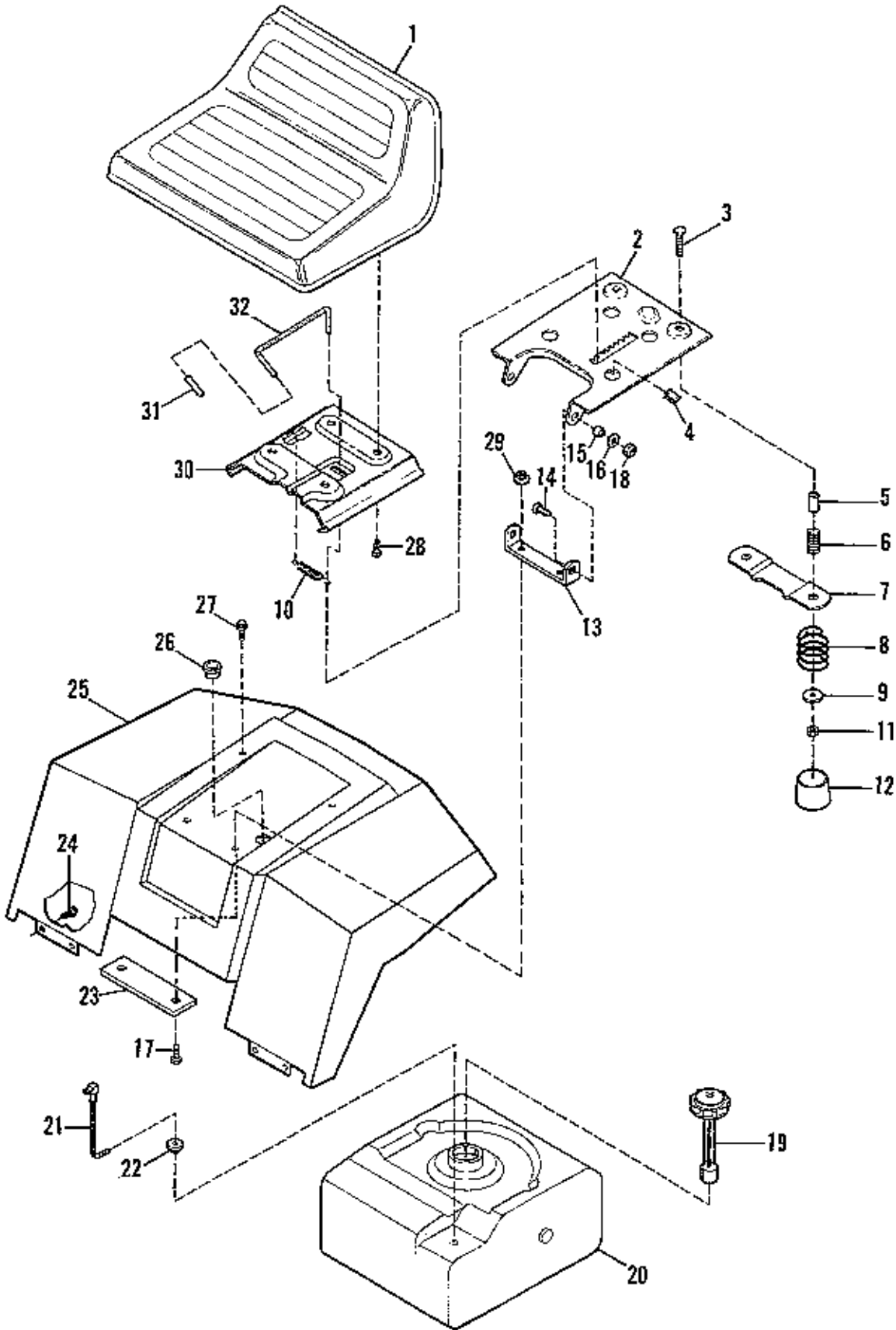
Used on all Mfg. No. 1691886 before serial no. 11245.

Used on all Mfg. No. 1691807 before serial no. 7222.

Used on all Mfg. No. 1691939 before serial no. 1107.

Used on all Mfg. No. 1691940 before serial no. 1369.

Used on all Mfg. No. 1691795.



Seat, Deck & Fuel Tank Group (*Later Models)

Ref. No.	Part No.	Qty.	Description
1	1707492	1	SEAT
2	1707085	1	SUPPORT, Seat Pivot
3	1931338	2	CARRIAGE BOLT, 5/16-18 x 1-3/4
4	935112	1	CLIP, Speed
5	1707525	2	SPACER
6	1704402	2	SPRING, Compression
7	1707101	1	PLATE, Switch
8	1704728	2	SPRING, Compression
9	1933468	2	WASHER, Plain
10	1707137	1	SPRING, Extension
11	1919438	2	NUT, Hex, Nylon Lock, 5/16-18
12	1704724	2	COVER, Spring
13	1707084	1	BRACKET, Seat Pivot
14	1931350	2	CARRIAGE BOLT, 3/8-16 x 1
15	1707759	2	SPACER
16	1924940	2	WASHER, Plain, 13/32
17	1960459	2	SCREW, Truss Hd., Torx drive, 3/8-16 x 1
18	1919439	2	NUT, Hex, Nylon Lock, 3/8-16
19	1704366	1	CAP, Fuel Gauge
20	1708054	1	TANK, Fuel
21	1704108	1	ELBOW & TUBE ASSY.
22	1654930	1	BUSHING
23	1708361	1	PLATE, Reinforcement
24	1925003	4	SCREW, Taplite, 1/4-20 x 1/2
25	1707487	1	SEAT DECK
26	1701229	1	BUSHING, Snap
27	1930601	2	SCREW, Taplite, 5/16-18 x 5/8
28	1934665	4	BOLT, Hex, Whizlock, 5/16-18 x 5/8
29	1928352	2	NUT, Hex Flange Whizlock, 3/8-16
30	1707131	1	BRACKET, Seat Slide
31	1704723	1	HANDLE, Grip
32	1707133	1	LEVER, Seat Release

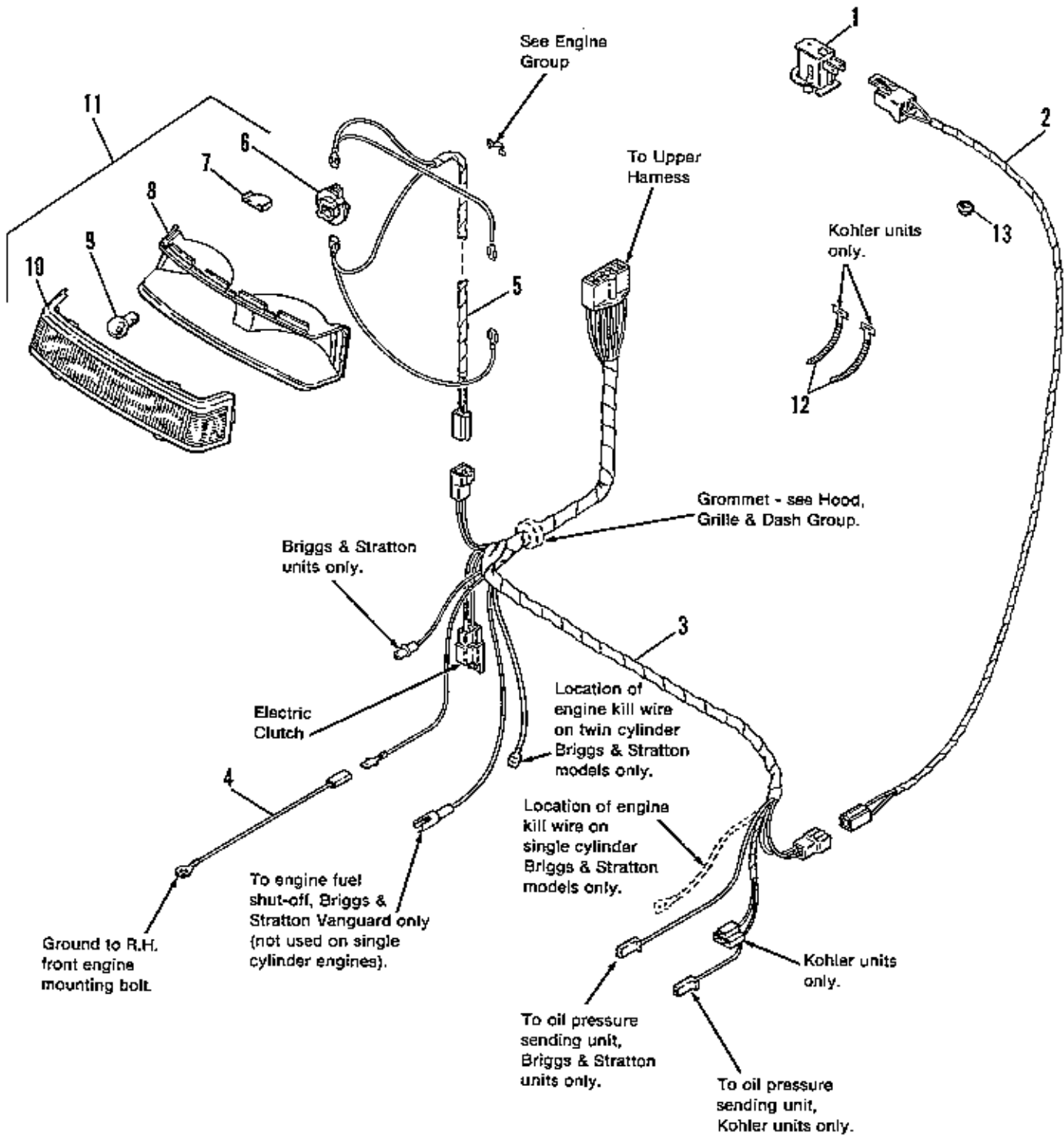
* Used on all Mfg. No. 1691891 after serial no. 3074.

Used on all Mfg. No. 1691886 after serial no. 11244.

Used on all Mfg. No. 1691807 after serial no. 7221.

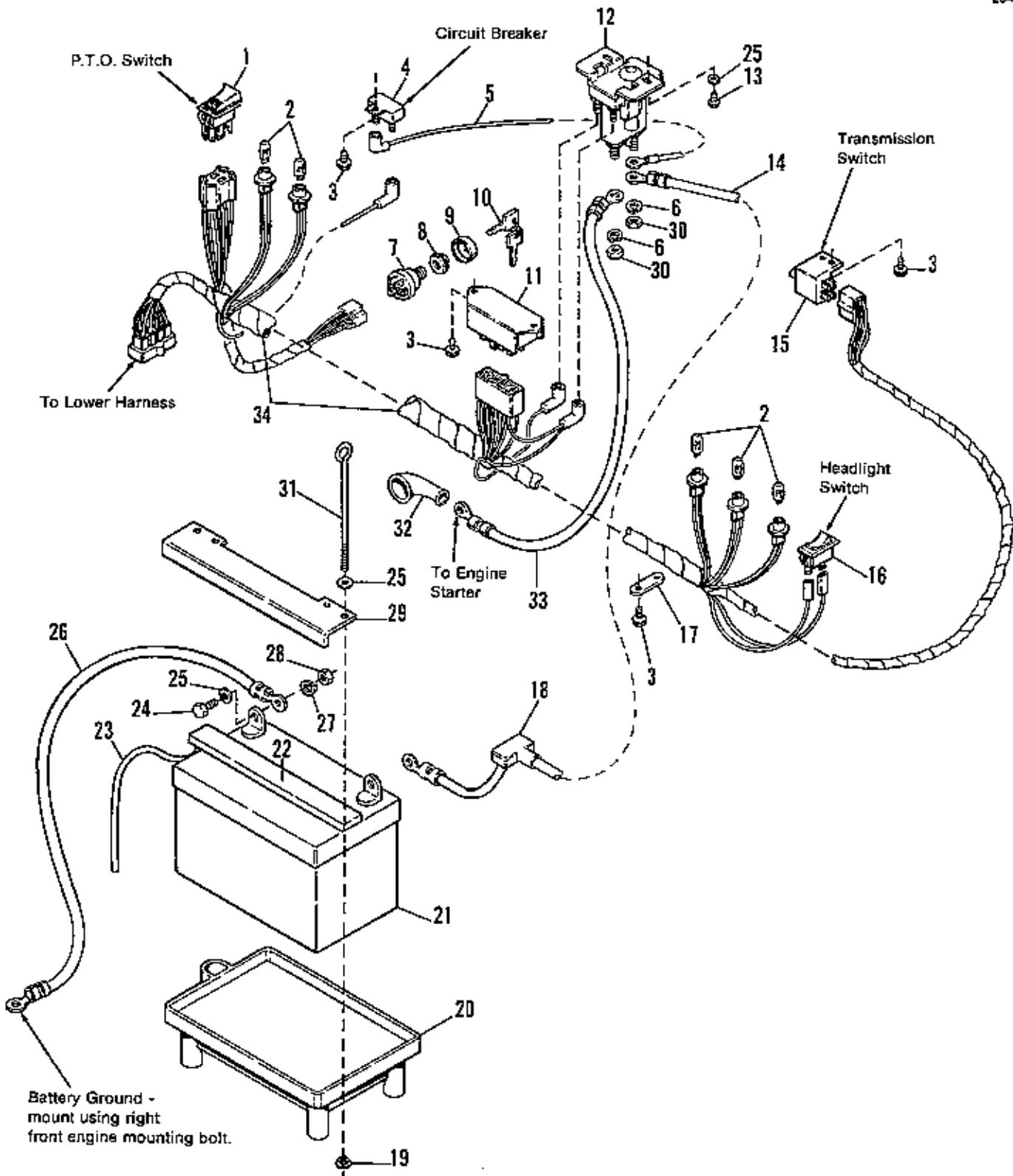
Used on all Mfg. No. 1691939 after serial no. 1106.

Used on all Mfg. No. 1691940 after serial no. 1368.



NOTE: Use standard hardware torque spec. chart unless otherwise noted.

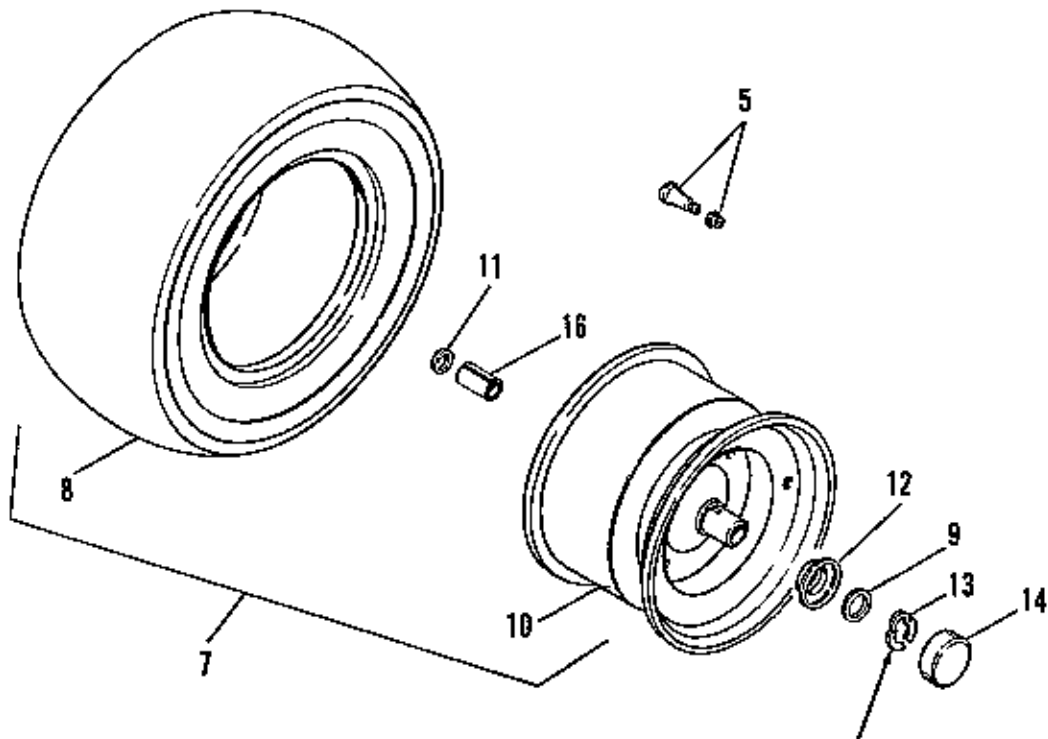
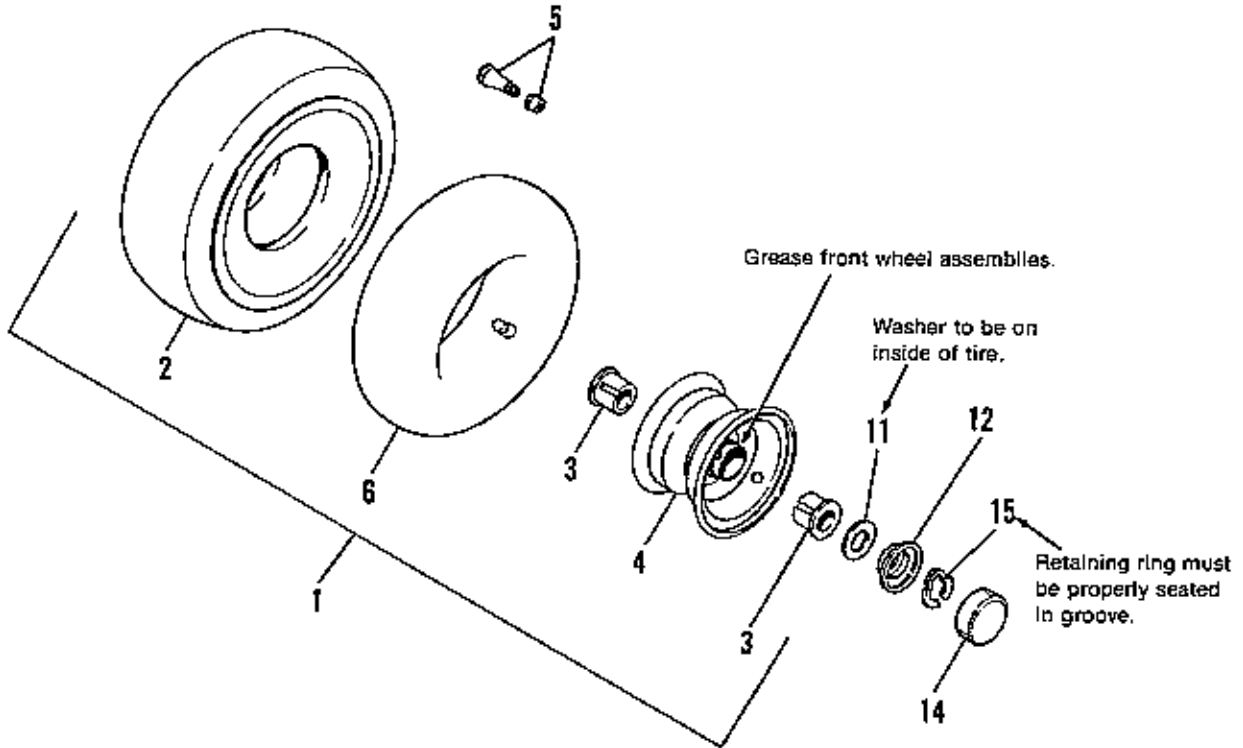
Ref. No.	Part No.	Qty.	Description
1	1704379	1	SWITCH, Seat, Operator Present
2	1704877	1	WIRE ASSY., Seat Switch
3	1704377	1	HARNES ASSY., Lower (16 HP Hydro Units)
	1704378	1	HARNES ASSY., Lower (12.5 HP Hydro Units)
	1705447	1	HARNES ASSY., Lower (12.5 HP Gear Units)
4	1707232	1	WIRE ASSY., Engine Ground
5	1674358	1	WIRE ASSY., Headlight
6	1677370	2	SOCKET, Bulb
7	1703946	2	HEAT SHIELD
8	1703249	1	BEZEL, Headlight
9	1677371	2	BULB, Headlight, 12.8V
10	1703248	1	LENS, Headlight
11	1703945	1	HEADLIGHT ASSY. (Incl. Ref. Nos. 6 - 10)
12	1701011	2	TIE, Cable (Gear Units Only)
13	1701229	3	BUSHING, Snap (Qty. 2 on 12.5 HP Hydro, Qty. 1 on 12.5 HP Gear)



NOTE: Use standard hardware torque spec. chart unless otherwise noted.

Ref. No.	Part No.	Qty.	Description
1	1703798	1	SWITCH, PTO, Electric Clutch
2	1676130	5	BULB, Indicator Light
3	1960369	7	SCREW, Plastite, 8-16 x 1/2
4	1665238	1	CIRCUIT BREAKER
5	1665237	1	WIRE ASSY.
6	1917358	2	LOCKWASHER, 5/16
7	1679008	1	SWITCH, Ignition
8	1704347	1	ADAPTER, Nut
9	1704346	1	COVER, Key Switch
10	1704348	1	KEYS
11	1703972	1	MODULE
12	1685290	1	SOLENOID
13	1960256	2	SCREW, Plastite, 1/4-20 x 5/8
14	1603618	1	CABLE, Battery to Solenoid
15	1701521	1	SWITCH, Transmission, Neutral Start
16	1703799	1	SWITCH, Headlight
17	1704614	1	STRAP, Wire Retainer
18	1677296	1	BOOT, Insulator
19	1704349	2	NUT, Plastic, 1/4-20
20	1704112	1	TRAY, Battery
21	1685215	1	BATTERY, 39 Amp
22	1704581	1	VENT, Battery
23	1612103	1	HOSE, Battery, Drain
24	1923341	2	CAPSCREW, Hex, 1/4-20 x 3/4
25	1921319	6	WASHER, Plain, 9/32
26	1704635	1	CABLE, Battery to Ground
27	1916964	2	LOCKWASHER, 1/4
28	1916622	2	NUT, Hex, Full, 1/4-20
29	1669831	1	HOLD DOWN, Battery
30	1920263	2	NUT, Hex, 5/16-24
31	1704632	2	ROD, Battery Hold Down
32	122023	1	COVER, Terminal
33	1668819	1	CABLE, Solenoid to Starter
34	1704376	1	HARNESS, Upper

**2185



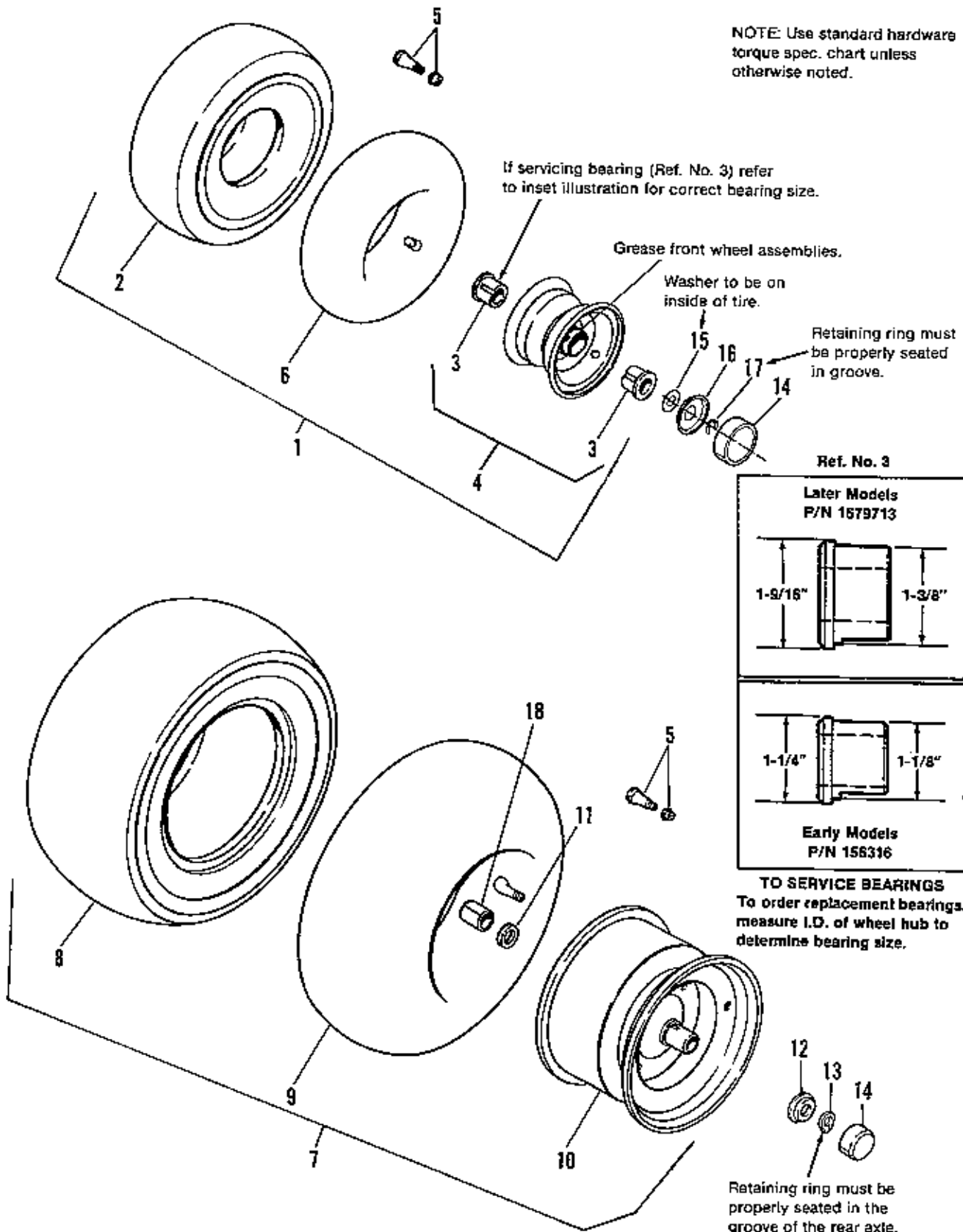
NOTE: Use standard hardware torque spec. chart unless otherwise noted.

Ref. No.	Part No.	Qty.	Description
1	1705376	2	WHEEL & TIRE ASSY. (15 x 6.00-6) (Incl. Ref. Nos. 2, 3, 4, 5, & 6)
2	1653618	2	TIRE (15 x 6.00-6)
3	1679713	4	BEARING
4	1705377	2	WHEEL ASSY. (Incl. Ref. No. 3)
5	172353	4	VALVE STEM & CAP
6	1664090	1	TUBE (4.10/3.50-6) Service Only. See Note Below.
7	1673244	2	WHEEL & TIRE ASSY. (18 x 8.50-8) (Incl. Ref. Nos. 5, 8 & 10)
8	1655916	2	TIRE (18 x 8.50-8)
9	1960114	2	WASHER (Rear Axle)
10	1673246	2	WHEEL ASSY.
11	1960160	4	WASHER
12	1701435	2	RETAINER, Hubcap
13	1611710	2	KLIP-RING
14	1676519	4	HUBCAP
15	1611710	2	KLIP RING
16	1667191	2	SPACER, Axle

NOTE: Simplicity Tire Sealant can be used to repair tires in place of tubes.
See inside front cover of this manual for part number.

A-22035

NOTE: Use standard hardware torque spec. chart unless otherwise noted.

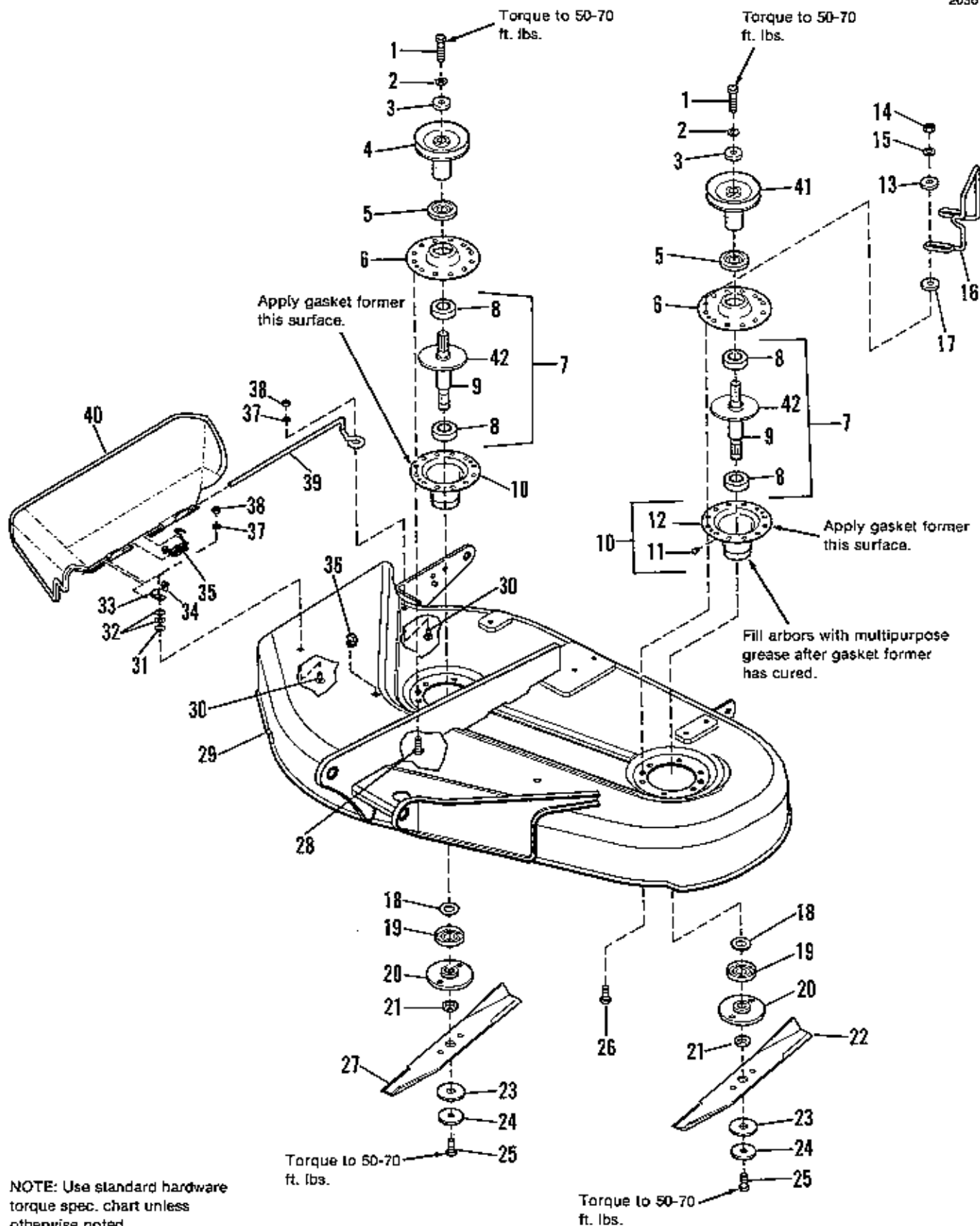


Ref. No.	Part No.	Qty.	Description
1	1705376	2	WHEEL & TIRE ASSY. (15 x 6.00-6) (Incl. Ref. Nos. 2, 3, 4, & 5)
2	1653618	2	TIRE (15 x 6.00-6)
3	1679713	4	BEARING, 1-9/16" Outside O.D., 1-3/8" Inside O.D. (To be used with Later Model Wheel Assembly. See inset illustration on page 50.)
	156316	4	BEARING, 1-1/4" Outside O.D., 1-1/8" Inside O.D. (To be used with Early Model Wheel Assembly. See inset illustration on page 50.)
4	1705377	2	WHEEL ASSY. Later Models, Incl. Ref. No. 3, P/N 1679713. (See inset illustration on page 50 for proper Wheel Bearing for Early Models.)
5	172353	4	VALVE STEM & CAP (Qty. 2 used on Mfg. No. 1691807)
6	1664090	1	TUBE (4.10/3.50-6) See Note Below.
7	* 1673328	2	WHEEL & TIRE ASSY. (18 x 8.50-8) (Incl. Ref. Nos. 5, 8, 9, & 10)
	** 1673329	2	WHEEL & TIRE ASSY. (20 x 8.0-10) (Incl. Ref. Nos. 5, 8, 9, & 10)
8	* 1655916	2	TIRE (18 x 8.50-8)
	** 173456	2	TIRE (20 x 8.0-10)
9	** 173477	2	TUBE
10	* 1673347	2	WHEEL ASSY.
	** 1672235	2	WHEEL ASSY.
11	* 168055	2	WASHER
	** 960377	2	WASHER
12	1678520	2	RETAINER, Hubcap
13	932577	2	RING, Retaining, 1" Dia.
14	1676519	4	HUBCAP
15	1960160	2	WASHER, Special
16	1701435	2	RETAINER, Hubcap
17	1611710	2	KLIP RING
18	1701873	2	SPACER (Used w/18" wheels only)

*Used on Mfg. No. 1691795, 1691886 & 1691939 Only

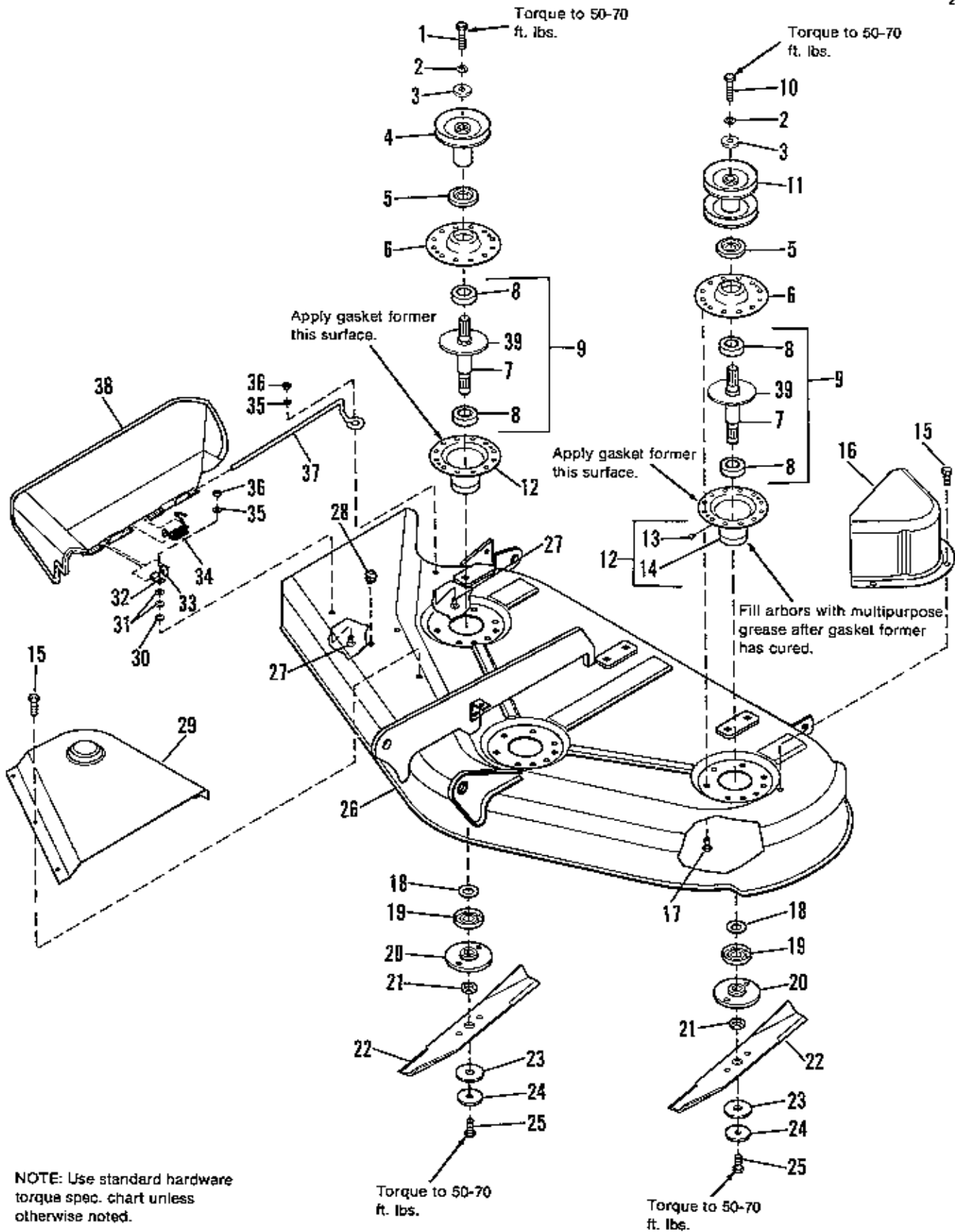
**Used on Mfg. No. 1691807 & 1691940 Only.

NOTE: Simplicity Tire Sealant can be used to repair tires in place of tubes.
See inside front cover of this manual for part number.

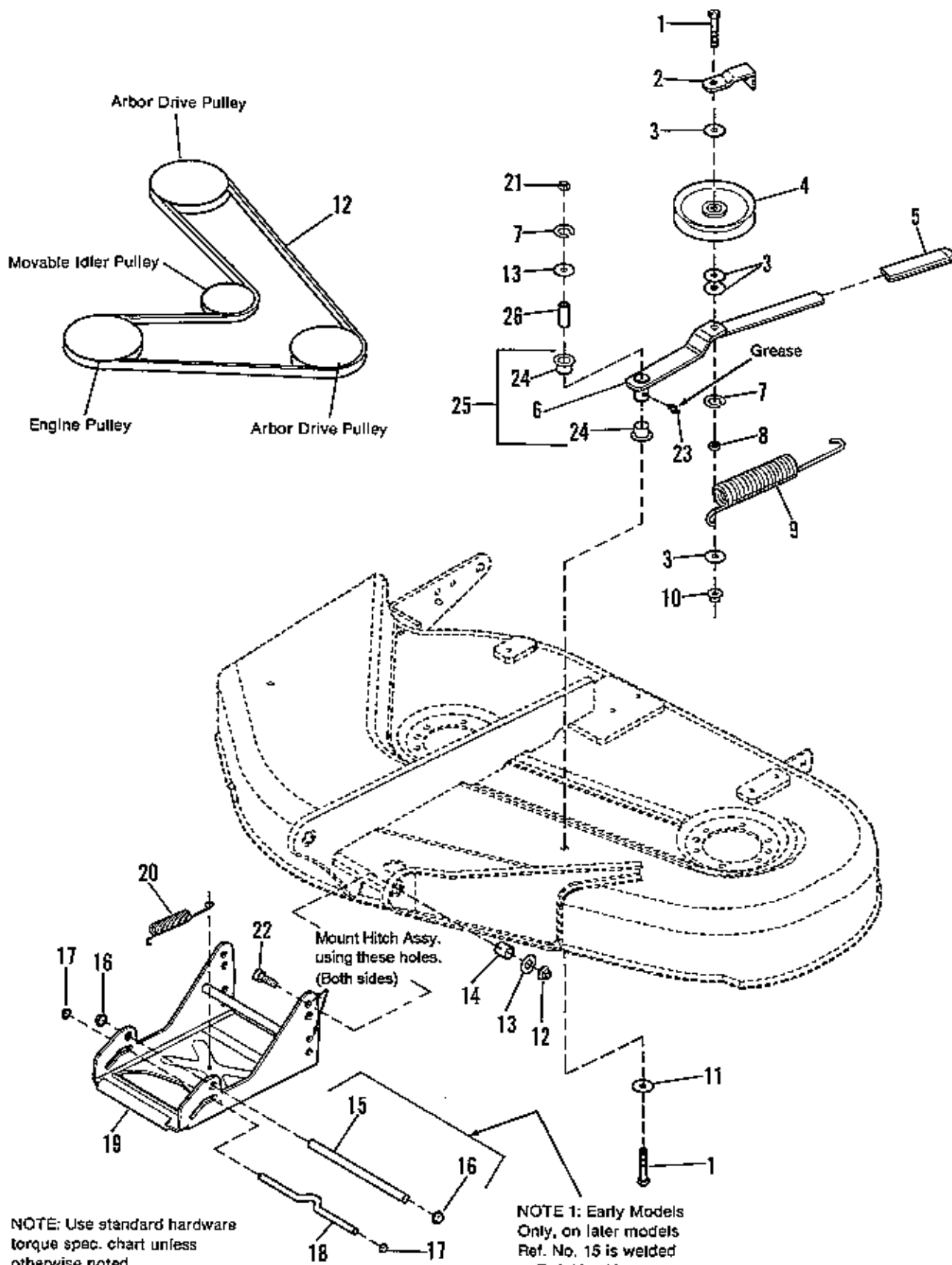


Ref. No.	Part No.	Qty.	Description
1	1930585	2	CAPSCREW, Hex Hd., 7/16-14 x 3-1/2
2	1918199	2	LOCKWASHER, 7/16
3	1933263	2	WASHER, Plain
4	1704120	1	PULLEY ASSY., R.H.
5	1657969	2	SHIELD, Grass, Upper
6	1655729	2	HOUSING, Arbor, Top
7	1685251	2	SHAFT & BEARING ASSY. (Incl. Ref. Nos. 8 & 9)
8	108202	4	BEARING
9	1685245	2	SHAFT, Arbor (Incl. Ref. No. 21)
10	1703273	2	HOUSING ASSY., Arbor, Bottom (Incl. Ref. No. 11 & 12)
11	1704314	2	GREASE FITTING
12		1	HOUSING, Bottom (See Ref. No. 10)
13	1919381	4	WASHER, Flat, 5/16
14	1917372	4	NUT, Hex, 5/16-18
15	1917356	4	LOCKWASHER, 5/16
16	1704099	2	GUIDE, Upstop, Belt
17	1924356	4	WASHER, Flat
18	1700230	2	WASHER, Shim
19	1700229	2	SHIELD, Grass, Lower
20	1655777	2	ADAPTOR, Blade
21	1672132	2	COLLAR, Mower Arbor
22	1704856	1	BLADE, Mower
23	1656927	2	WASHER, Spline
24	1656916	2	WASHER, Spring
25	1923491	2	CAPSCREW, Hex Hd., 7/16-14 x 1
26	1930600	4	SCREW, Hex, Tapite, 5/16 x 1-1/2
27	1704101	1	BLADE, Mower
28	1664847	8	SCREW, Hex, Tapite, 5/16 x 3/4
29	1685410	1	HOUSING ASSY.
30	1931318	2	CARRIAGE BOLT, 1/4-20 x 7/8
31	1676438	1	NUT, Push On
32	1960353	2	WASHER, Plain
33	1704873	1	CLAMP
34	1919328	1	WASHER, Plain, 5/16
35	1705080	1	SPRING
36	1705115	1	PLUG, Hole
37	1916964	2	LOCKWASHER, 1/4
38	1916622	2	NUT, Hex Hd., 1/4-20
39	1706709	1	ROD, Deflector, Front
40	1705449	1	DEFLECTOR, Plastic
41	1704119	1	PULLEY ASSY., L.H.
42	1707335	2	GASKET, Foam

**2037



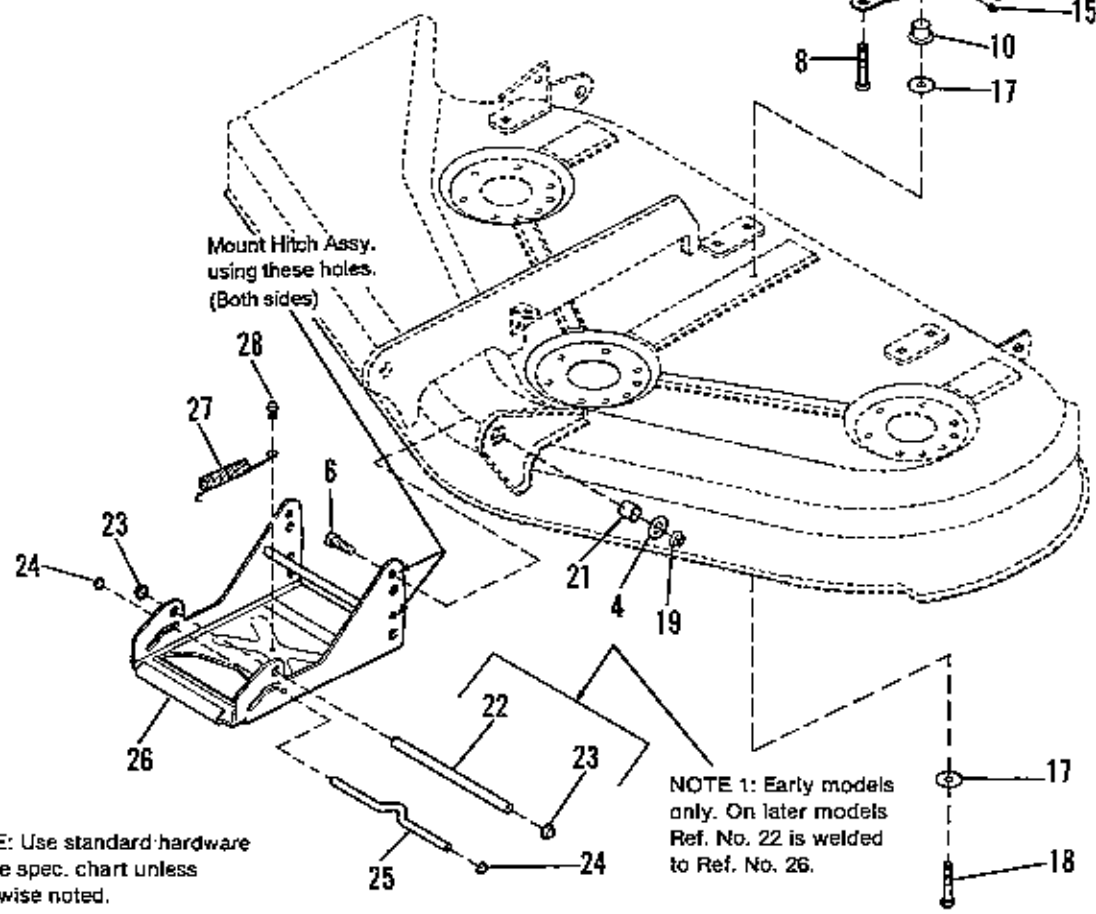
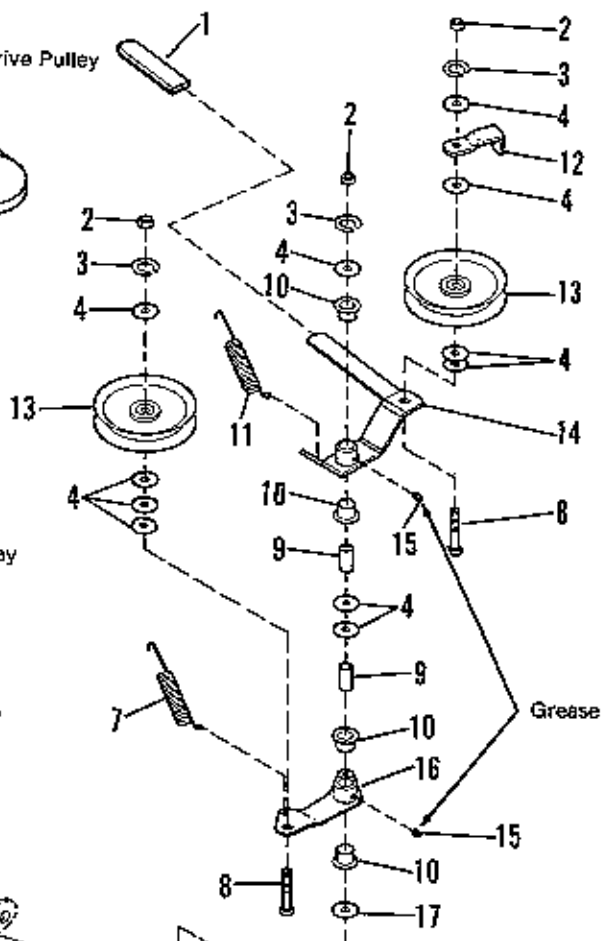
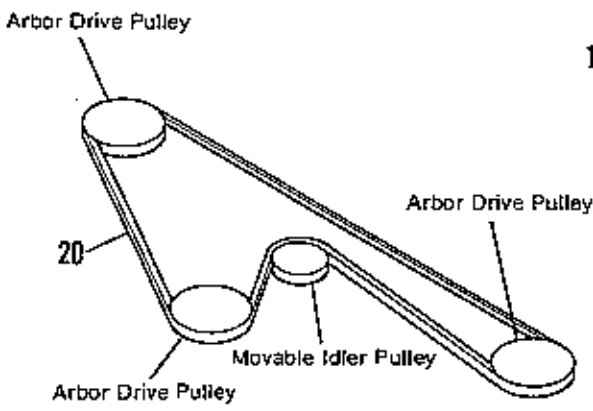
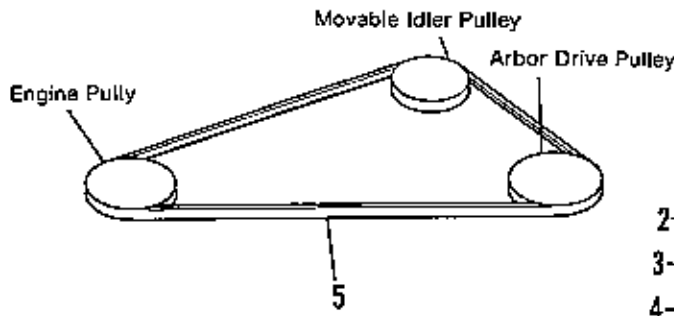
Ref. No.	Part No.	Qty.	Description
1	1923471	2	CAPSCREW, Hex Hd., 7/16-14 x 1-1/4
2	1918199	3	LOCKWASHER, 7/16
3	1933263	3	WASHER, Plain
4	1704123	2	PULLEY ASSY., Deck Drive
5	1657969	3	SHIELD, Grass, Upper
6	1655729	3	HOUSING, Arbor, Top
7	1685245	3	SHAFT, Arbor (Includes Ref. No. 21)
8	108202	6	BEARING
9	1685251	3	SHAFT & BEARING ASSY. (Center & Outer) (Incl. Ref. Nos. 7 & 8)
10	1930585	1	CAPSCREW, Hex Hd., 7/16-14 x 3-1/2
11	1704121	1	PULLEY ASSY.
12	1703273	3	HOUSING ASSY., Arbor, Bottom (Incl. Ref. Nos. 13 & 14)
13	1704314	3	GREASE FITTING
14		3	HOUSING, Arbor, Bottom (See Ref. No. 12)
15	1924856	7	SCREW, Hex, Tapfit, 5/16 x 1/2
16	1704373	1	COVER, Arbor
17	1664847	18	SCREW, Hex, Tapfit, 5/16 x 3/4
18	1700230	3	WASHER, Shim
19	1700229	3	SHIELD, Grass, Bottom
20	1655777	3	ADAPTOR, Blade
21	1672132	3	COLLAR, Mower Arbor
22	1704856	3	BLADE, Mower
23	1656927	3	WASHER, Spline
24	1656916	3	WASHER, Spring
25	1923491	3	CAPSCREW, Hex Hd., 7/16-14 x 1
26	1685411	1	HOUSING ASSY., Mower
27	1931318	2	CARRIAGE BOLT, 1/4-20 x 7/8
28	1705115	1	PLUG, Hole
29	1703601	1	COVER, Arbor
30	1676436	1	NUT, Push On
31	1960353	2	WASHER, Plain
32	1704873	1	CLAMP
33	1919326	1	WASHER, PLAIN, 5/16
34	1705080	1	SPRING
35	1916964	2	LOCKWASHER, 1/4
36	1916622	2	NUT, Hex, 1/4-20
37	1706709	1	ROD, Deflector, Front
38	1705449	1	DEFLECTOR, Plastic
39	1707335	3	GASKET, Foam



Ref. No.	Part No.	Qty.	Description
1	1928957	2	CAPSCREW, Hex Hd., 3/8-16 x 2-3/4
2	1677135	1	GUARD, Spring
3	1922755	4	WASHER, Plain
4	1704926	1	IDLER PULLEY, Plastic
5	1665835	1	GRIP, Lever
6		1	CLUTCH LEVER ASSY. (See Ref. No. 25)
7	1916965	2	LOCKWASHER, 3/8
8	1916950	1	NUT, Hex Full, 3/8-16
9	1666786	1	SPRING
10	1919439	3	NUT, Hex Lock, 3/8-16
11	1924356	1	WASHER
12	1666698	1	V-BELT
13	1924940	3	WASHER, Plain, 3/8 I.D.
14	157081	2	SPACER
15	*1704085	1	ROD, Mower Hitch (Early Models only)
16	*1678038	2	NUT, Push On, 1/2 (Early Models only)
17	1960093	2	NUT, Push On, 3/8
18	1704129	1	ROD, Latch
19	1708040	1	HITCH ASSY.
20	106681	1	SPRING
21	1916950	1	NUT, Hex Full, 3/8-16
22	1921969	2	CAPSCREW, Hex, 3/8-16 x 1-1/2
23	912809	1	FITTING, Grease
24	1663114	2	BUSHING
25	1704520	1	CLUTCH LEVER ASSY. w/Bushing (Incl. Ref. Nos. 6 & 24)
26	1657242	1	SPACER

*See "Note 1" on page 56.

**2039

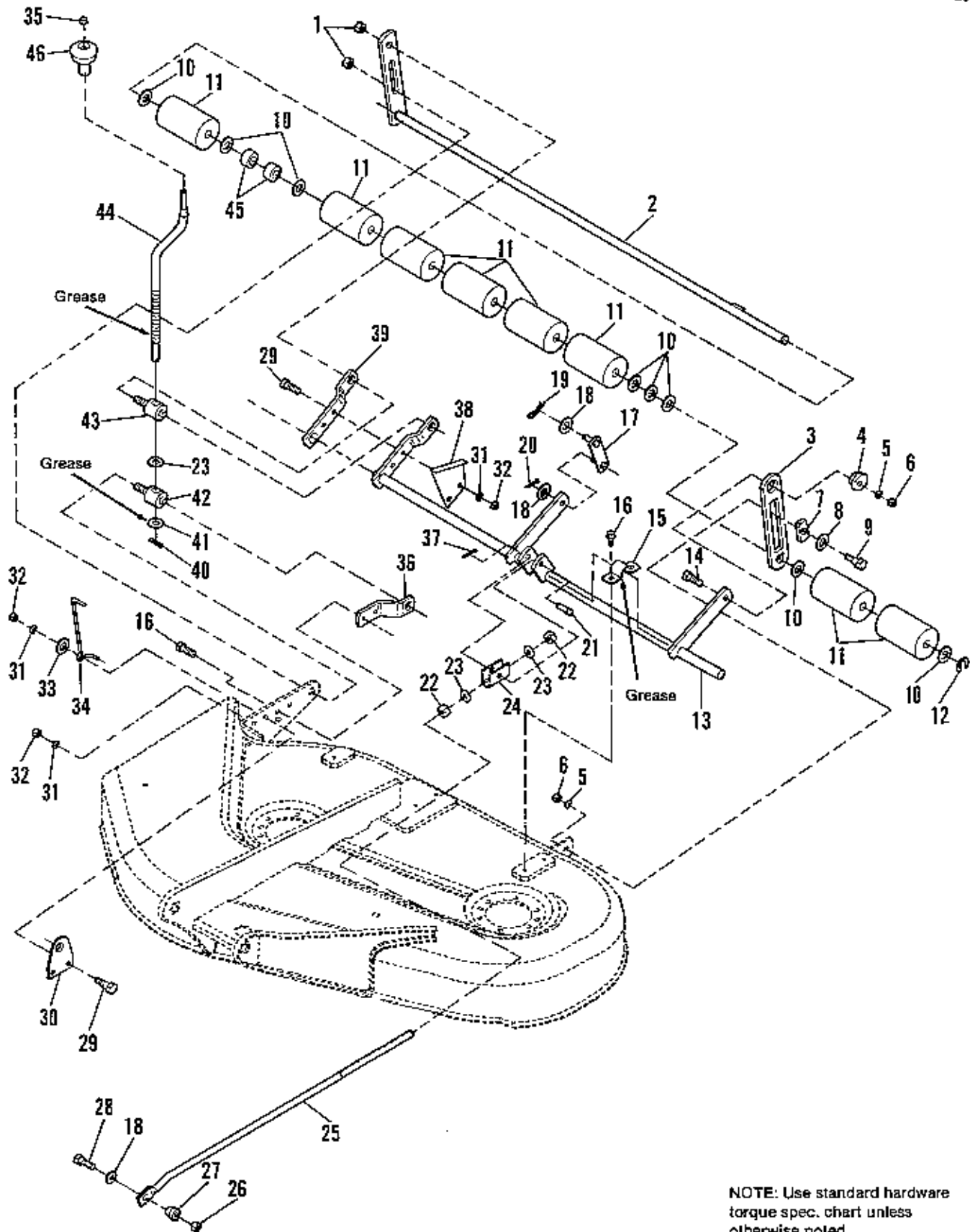


NOTE: Use standard hardware torque spec. chart unless otherwise noted.

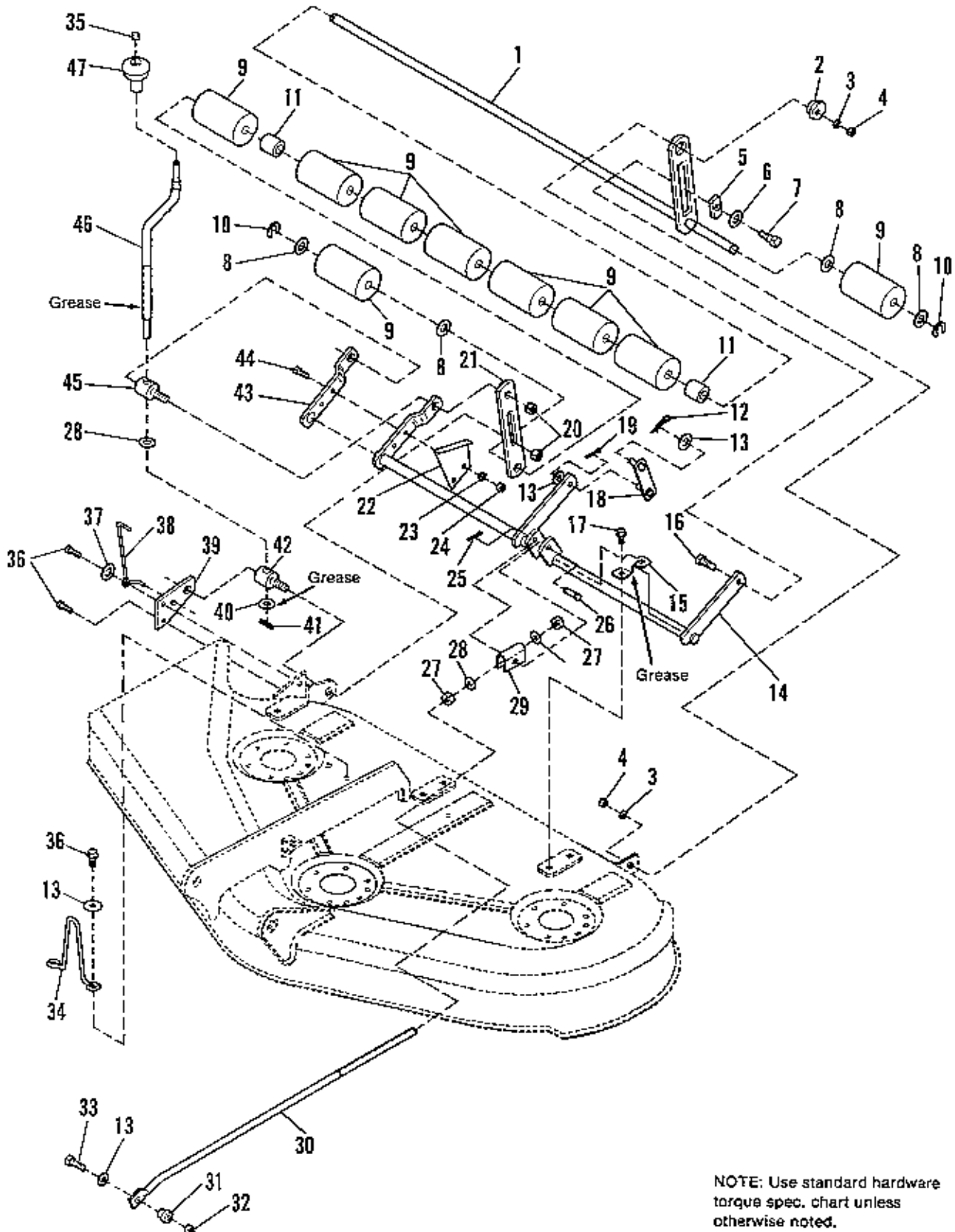
NOTE 1: Early models only. On later models Ref. No. 22 is welded to Ref. No. 26.

Ref. No.	Part No.	Qty.	Description
1	1665835	1	GRIP, Lever
2	1916950	3	NUT, Hex, 3/8-16
3	1916965	3	LOCKWASHER, 3/8
4	1924940	15	WASHER, 5/16
5	1601672	1	V-BELT, Mower Drive
6	1921969	2	CAPSCREW, Hex Hd., 3/8-16 x 1-1/2
7	1656936	1	SPRING
8	1931353	2	CARRIAGE BOLT, 3/8-16 x 1-3/4
9	1674669	2	SPACER
10	1676148	4	BUSHING
11	1666786	1	SPRING
12	1677135	1	IDLER, Stop
13	1704926	2	PULLEY, Idler (Plastic)
14	1704658	1	LEVER ASSY, Idler (Incl. Qty. 1, Ref. No. 15; Qty 2, Ref. No. 10)
15	912808	2	GREASE FITTING
16	1704659	1	LEVER ASSY., Idler Arm (Incl. Qty. 1, Ref. No. 15; Qty 2, Ref. No. 10)
17	1924356	2	WASHER
18	1923938	1	CAPSCREW, Hex Hd., 3/8-16 x 3-1/2
19	1919439	2	NUT, Hex Lock, 3/8-16
20	1607813	1	V-BELT, Arbor Drive
21	157081	2	SPACER
22	*1704085	1	ROD, Mower Hitch
23	*1678038	2	NUT, Push On
24	1960093	2	NUT, Push On
25	1704129	1	ROD, Latch
26	1708040	1	HITCH ASSY.
27	106681	1	SPRING

*See "Note 1" on page 58.



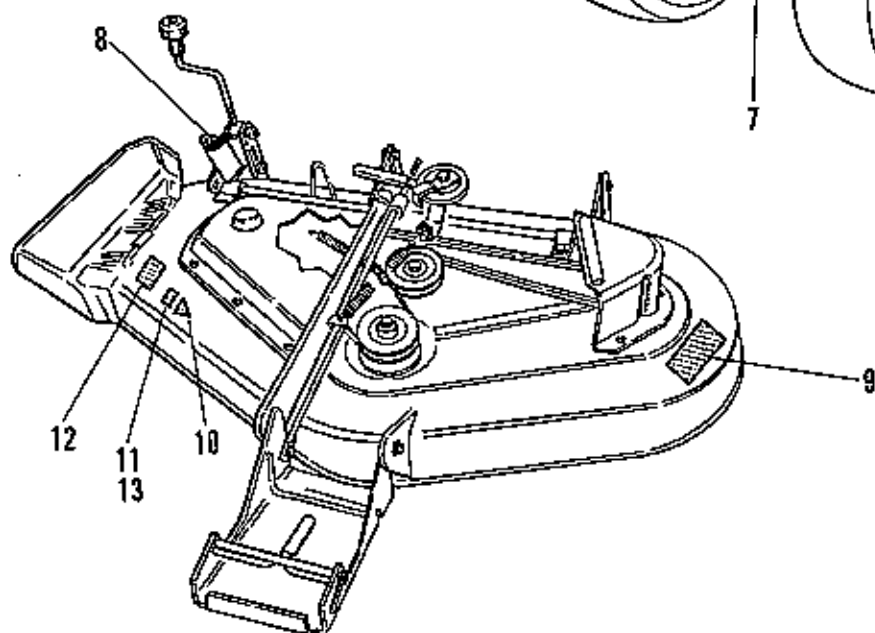
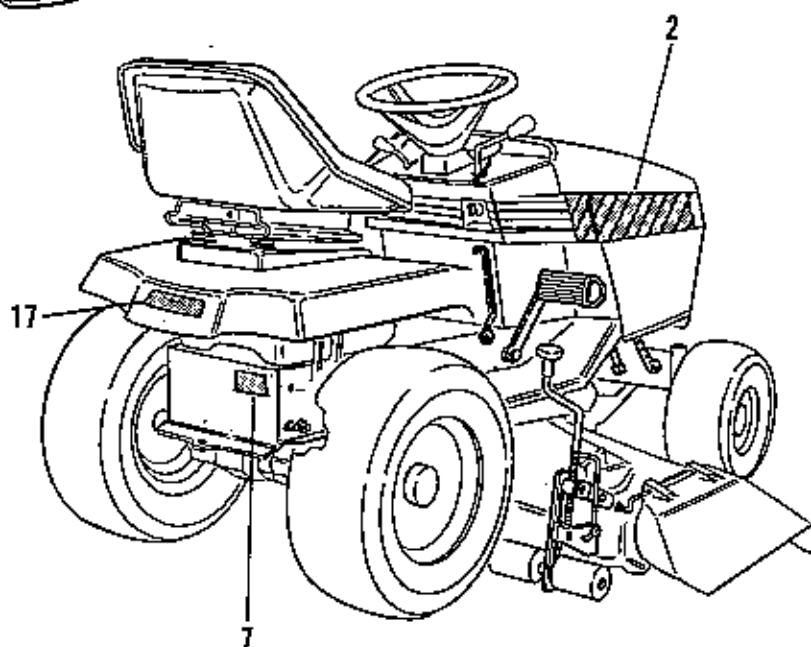
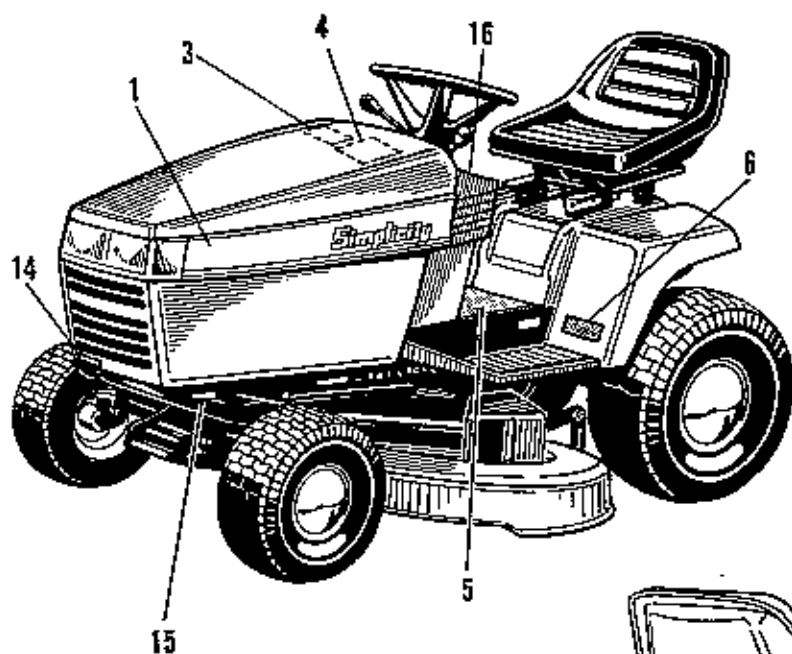
Ref. No.	Part No.	Qty.	Description
1	1930644	2	NUT, Hex Flangelock, 1/2-13
2	1705058	1	SHAFT ASSY., Roller
3	1704073	1	BAR, Roller
4	1704082	1	NUT, Adjustor
5	916965	2	LOCKWASHER, 3/8
6	916950	2	NUT, Hex Hd., 3/8-16
7	1677507	1	SLIDE
8	1924361	1	WASHER, Plain, 1/2
9	172622	1	BOLT, Shoulder, 3/8-16
10	1924366	8	WASHER, Plain, 41/64 x 1-1/4
11	1668513	8	ROLLER
12	153124	1	RING, Retaining
13	1704104	1	ARM ASSY., Mower
14	1931352	1	BOLT, Carriage, 3/8-16 x 1-1/2
15	1665374	2	STRAP, Mower Arm Assy.
16	1664847	6	SCREW, Hex Tapite, 5/16 x 3/4
17	1705049	1	LINK ASSY., Lift
18	1924940	3	WASHER, Plain, 13/32
19	176012	1	CLIP, Pin, Safety
20	1918448	1	COTTER PIN
21	118053	1	PIN, Clevis
22	1913744	2	NUT, Hex, Jam, 1/2-13
23	1960170	3	WASHER, 33/64
24	1704081	1	TRUNNION
25	1704093	1	ROD, Adjustment
26	1928352	1	NUT, Hex Whizlock, 3/8-16
27	1706644	1	SPACER
28	1922606	1	CAPSCREW, Hex, 3/8-16 x 1-3/4
29	1921977	4	CAPSCREW, Hex, 5/16-18 x 1/1/4
30	1704115	1	PLATE, Support
31	1917356	4	LOCKWASHER, 5/16
32	1917372	4	NUT, Hex, 5/16-18
33	1919381	1	WASHER, Flat, 5/16
34	1704114	1	INDICATOR, Cutting Height
35	1960093	1	PAL NUT
36	1704077	1	STRAP, Trunnion Retainer
37	1918452	1	COTTER PIN
38	1704116	1	BRACKET, Cutting Height
39	1704083	1	ARM, Rear, Mower, R.H.
40	916001	1	PIN, Roll, 1"
41	1704097	1	WASHER, Detent
42	1704086	1	TRUNNION
43	1704087	1	TRUNNION, Threaded
44	1704094	1	CRANK, Cutting Height
45	1602946	2	SPACER
46	1668190	1	KNOB



NOTE: Use standard hardware torque spec. chart unless otherwise noted.

Ref. No.	Part No.	Qty.	Description
1	1685443	1	SHAFT ASSY., Roller, 44°
2	1704082	1	NUT, Adjuster
3	916965	2	LOCKWASHER
4	916950	2	NUT, Hex Hd., 3/8-16
5	1677507	1	SUIDE
6	1924361	1	WASHER, Plain, 1/2
7	172622	1	BOLT, Shoulder, 3/8-16
8	1924366	5	WASHER, Plain, 1-1/4
9	1668513	9	ROLLER
10	153124	2	RING, Retaining
11	1602946	2	SPACER
12	176012	1	CLIP, Pin, Safety
13	1924940	5	WASHER, Plain
14	1704103	1	ARM ASSY., Mower
15	1665374	3	STRAP, Mower Arm Assy.
16	1931352	1	CARRIAGE BOLT, 3/8-16 x 1-1/2
17	1664847	6	SCREW, Hex TapTite, 5/16 x 3/4
18	1705049	1	LINK ASSY, Lift
19	1918448	1	COTTER PIN
20	1930844	2	NUT, Hex, Flange Lock, 1/2-13
21	1704074	1	BAR, Roller
22	1704116	1	BRACKET, Cutting Height
23	1917356	2	LOCKWASHER, 5/16
24	1917372	2	NUT, Hex, 5/16-18
25	1918452	1	COTTER PIN
26	118053	1	PIN, Clevis
27	1913744	2	NUT, Hex Jam, 1/2-13
28	1960170	3	WASHER, 33/64
29	1704081	1	TRUNNION
30	1704093	1	ROD, Adjustment
31	1706644	1	SPACER
32	1928352	1	NUT, Hex Whizlock, 3/8-16
33	1922606	1	CAPSCREW, Hex, 3/8-16 x 1-3/4
34	1704098	1	UP-STOP, Mower
35	1960093	1	PAL NUT
36	1960373	4	SCREW, TapTite, 5/16 x 1
37	1919381	1	WASHER, Flat, 5/16
38	1704114	1	INDICATOR, Cutting Height
39	1704080	1	PLATE, Mower Support
40	1704097	1	WASHER, Detent
41	916001	1	PIN, Roll, 1" Long
42	1704086	1	TRUNNION
43	1704083	1	ARM, Rear, Mower, R.H.
44	1921977	2	CAPSCREW, Hex, 5/16-18 x 1-1/4
45	1704087	1	TRUNNION, Threaded
46	1704094	1	CRANK, Cutting Height
47	1668190	1	KNOB, Height Crank

*1956
*1979



Ref. No.	Part No.	Qty.	Description
1	1704462	1	DECAL, Hood, L.H.
2	1704463	1	DECAL, Hood, R.H.
3	1704482	1	DECAL, Paint
4	1707754	1	DECAL, Belt, Blade
5	1707570	1	DECAL, Operating Inst.
6	1704464	1	DECAL, 12.5 LTH
	1706042	1	DECAL, 12.5 LTG
	1704465	1	DECAL, 16 LTH
7	1704474	1	DECAL, Push Valve (Hydrostatic Units only)
8	1704131	1	DECAL, Mower Height
9	1704276	1	DECAL, Danger (Hand Under Deck)
10		1	DECAL, OPEI (Not Serviced)
11	1704477	1	DECAL, Cutting Width, 38"
12	1704277	1	DECAL, Danger (Chute in Place)
13	1704478	1	DECAL, Cutting Width, 44"
14	1704473	1	DECAL, Grille, Hot
15		1	I.D. PLATE (Not Serviced)
16	1704486	1	DECAL, Choke (Dash), 12.5 Only
17	1698202	1	DECAL, Logo

Not Shown

DECAL, Battery (Not Serviced)

<p>DANGER</p> <p>ROTATING BLADES CUT OFF ARMS AND LEGS</p> <p>STOP MOWER WHEN CHILDREN ARE NEAR. NO RIDERS, THEY FALL OFF.</p>	<p>OPERATION</p> <p>TO START ENGINE</p> <p>BEAR DOWN ON FOOTPEGS, BRING SPEED CONTROL LEVER TO NEUTRAL, AND PTO SWITCH UP.</p> <p>WHEN OPERATOR LEAVES SEAT:</p> <p>ENGINE WILL SHUT OFF. WITH ENGINE SPEED CONTROL LEVER IN FORWARD OR REVERSE, OR WITH PTO SWITCH ON.</p> <p>TRACTION CONTROL</p> <p>• TO STOP TRACTION MOTOR, PULL BRAKES, CLUTCH/PAUSE PEDAL.</p> <p>• ON HYDROSTATIC DRIVE, TRACTION MOTOR OF THE STEER LEGS FROM NEUTRAL, IN EITHER DIRECTION, INCREASES GROUND SPEED.</p> <p>TO OPERATE PTO CLUTCH</p> <p>• THE OPERATOR MUST BE IN THE SEAT.</p> <p>• TO ENGAGE PTO, SLIDE PTO SWITCH TOWARD OPERATOR & LEFT UP.</p> <p>• TO DISengage PTO, PULL PTO SWITCH DOWN.</p>
<p>DANGER</p> <p>OPERATING ON SLOPES CAN BE DANGEROUS</p> <p>SEE OPERATOR'S MANUAL. IF YOU CHANGE BACK UP A HILL, DO NOT DRIVE ON IT.</p>	<p>CHOCK PTO SWITCH IGNITION SWITCH</p> <p>TO SET PARKING BRAKE</p> <p>• PULL DOWN THE HANDLE UNTIL IT LOCKS.</p> <p>• RELEASE HANDLE UNTIL HANDLE IS UP.</p> <p>TO RELEASE PARKING BRAKE</p> <p>• PULL HANDLE UP UNTIL HANDLE IS RELEASED.</p>
<p>WARNING</p> <p>AVOID SERIOUS INJURY OR DEATH</p> <ul style="list-style-type: none"> • READ OPERATOR'S MANUAL. • NEVER OPERATE AND FUNCTION ON ALL CONTROLS. • NEVER DRIVE ON SLOPES, HILLSIDES, AND SWAMPY & PLUCKY AREAS. • NEVER REARWARD FEEL CLOSE TO SLOPES OR SWAMPY AREAS. • DO NOT DRIVE UNDER CHOPPY OR STONY, ANY SLOPES. • NEVER CROSS CURBS. • USE ONLY THE REARWARD MOTOR AND FRONT MOTOR. • OPERATE SLOPES. • IF THE CLUTCH BEGINS TO VIBRATE OR NOT OPERATE ON IT, DO UP AND DOWN SLOPES, LET BRAKE. • IF SLOPES START TO VIBRATE, STOP BLADE AND BACK UP. • IF SOME BLADES ARE STUCK AND STOPPED BEFORE FINISHING, NEVER GO BACK BLADES. • NEVER OPERATE MOWER, STOP ON SLOPES, HILLSIDES AND SET PARKING BRAKE. <p>CAUTION DO NOT TOW TRACTOR</p> <p><small>DANGER MAY BECAUSE OF TRANSMISSION</small></p>	

Ref. No. 5

DANGER

ROTATING CUTTING BLADE DO NOT PUT HANDS OR FEET UNDER MOWER DECK WHILE BLADE IS ROTATING.

Ref. No. 9

DANGER

ROTATING CUTTING BLADE DO NOT OPERATE MOWER WITHOUT DEFLECTOR OR ENTIRE GRASS CATCHER IN PLACE.

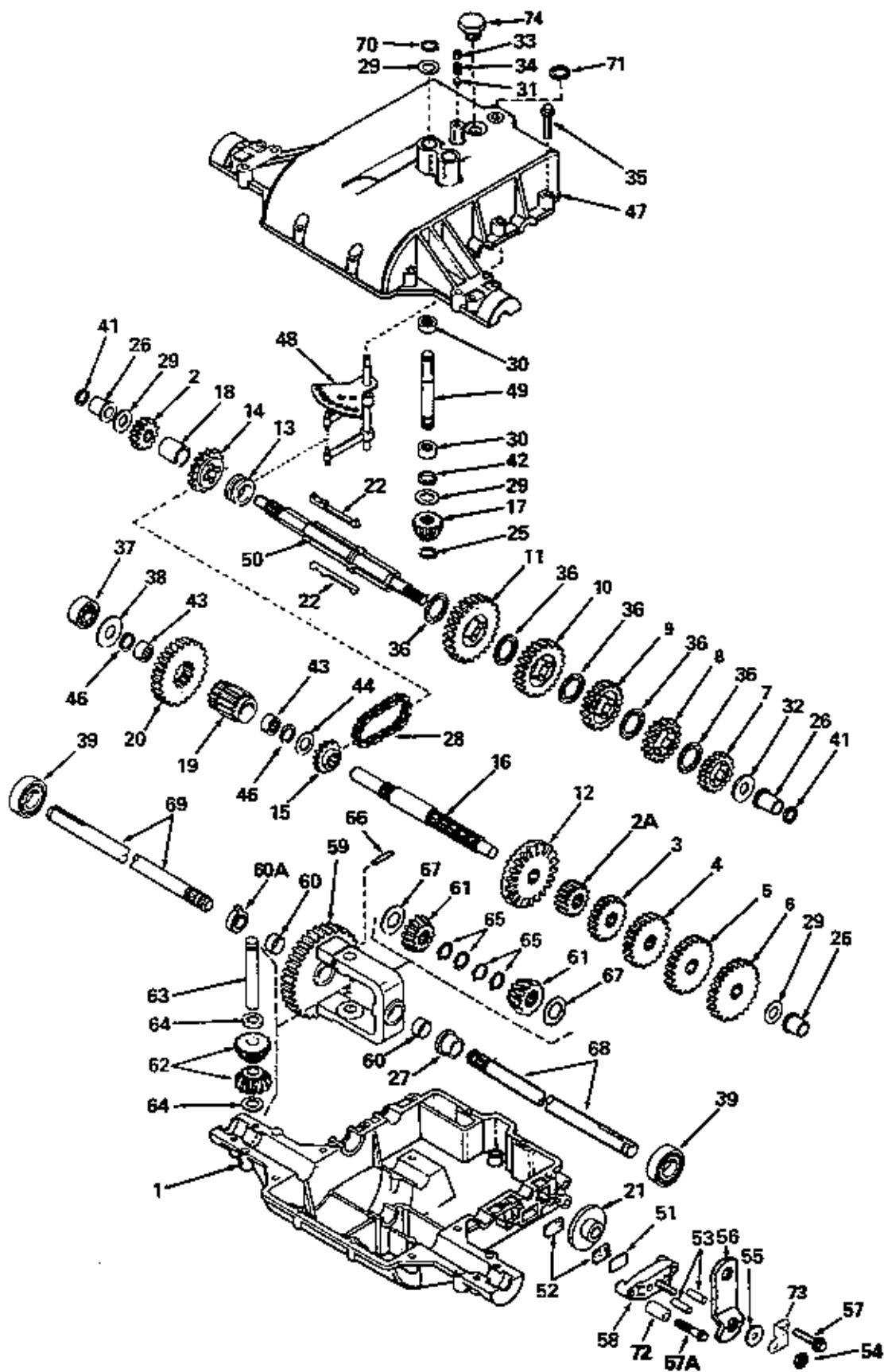
Ref. No. 12

TRANSMISSION RELEASE VALVE LEVER

PULL ROD REARWARD AND LATCH IN THE UP POSITION. TRACTOR MAY NOW BE MOVED BY MANUALLY PUSHING OR PULLING.

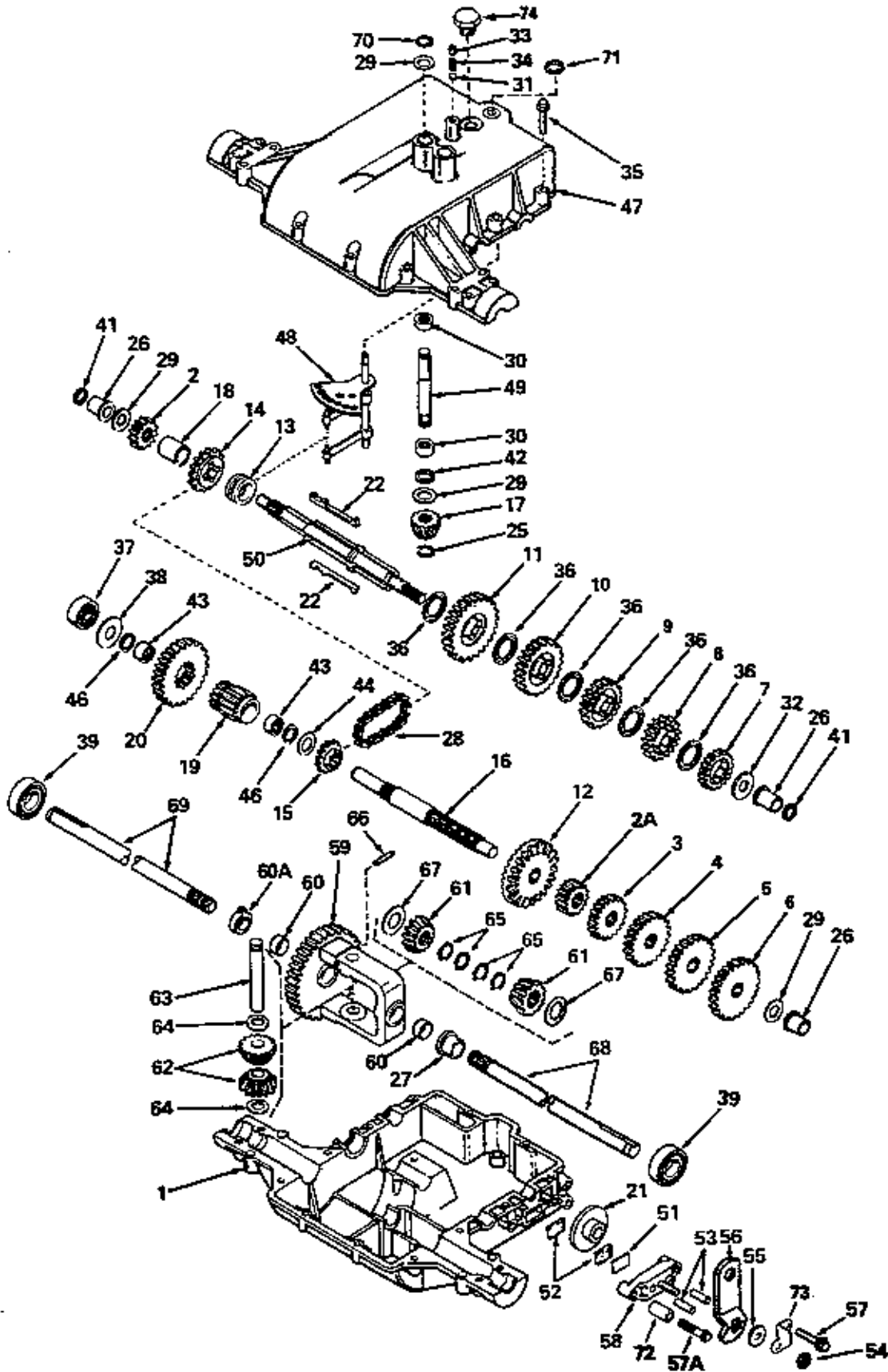
Ref. No 7 (Hydro Units)





Ref. No.	Part No.	Qty.	Description
1	770071A	1	CASE, Transaxle
2	778136	1	GEAR, Spur (15 Teeth)
2A	778145	1	GEAR, Spur (12 Teeth)
3	778126A	1	GEAR, Spur (20 Teeth)
4	778127A	1	GEAR, Spur (25 Teeth)
5	778128A	1	GEAR, Spur (28 Teeth)
6	778129A	1	GEAR, Spur (30 Teeth)
7	778121A	1	GEAR, Spur (20 Teeth)
8	778122A	1	GEAR, Spur (22 Teeth)
9	778123A	1	GEAR, Spur (25 Teeth)
10	778124A	1	GEAR, Spur (30 Teeth)
11	778146A	1	GEAR, Spur (37 Teeth)
12	778137A	1	GEAR, Bevel (42 Teeth)
13	784266	1	COLLAR, Shift
14	786060	1	SPROCKET (14 Teeth)
15	786061	1	SPROCKET (10 Teeth)
16	776204	1	SHAFT, Counter
17	778113A	1	BEVEL PINION, Input
18	786074	1	SPACER
19	778138	1	PINION, Output
20	778139	1	GEAR, Output
21	790003	1	DISK, Brake
22	792089A	4	KEY
25	788040	1	RING, Retaining
26	780105A	3	BUSHING, Flanged
27	780118A	1	BUSHING, Flanged
28	786062A	1	CHAIN, Roller (No. 41 Chain, 22 Links)
29	780072	4	WASHER, Thrust
30	780122	2	BEARING, Needle
31	792077	1	BALL, Steel
32	780109	1	WASHER, Thrust
33	792078	1	SCREW, Set, 3/8-16 x 3/8
34	792079	1	SPRING
35	792073	17	SCREW, Hex Hd., Thread Forming, 1/4-20 x 1-1/4
36	780108	5	WASHER, Thrust
37	780121	1	BEARING, Ball

Ref. Nos. 38 through 74 on pages 68 & 69.



Ref. No.	Part No.	Qty.	Description
38	780113	1	WASHER, Flat
39	780119	2	BEARING, Ball
41	788051	2	SEAL, Square Cut
42	788057	1	SEAL, Square Cut
43	780112	2	BEARING, Needle
44	780114	1	WASHER, Flat
46	788053	2	SEAL, Square Cut
47	772082	1	COVER, Transaxle
48	784290	1	ROD & FORK ASSY., Shift
49	776135	1	SHAFT, Input
50	776184A	1	SHAFT, Brake
51	790007	1	PLATE, Brake Pad
52	790006	2	PAD, Brake
53	786026	2	PIN, Dowel
54	792075	1	LOCKNUT, 5/16-24
55	792076	1	WASHER, Flat
56	790056	1	LEVER, Brake
57	792073	1	SCREW, Hex Hd., Thread Forming, 1/4-20 x 1-1/4
57A	792085	1	SCREW, Hex Hd., Thread Forming, 1/4-20 x 2-1/4
58	790025	1	HOLDER, Brake Pad
59	778175	1	GEAR ASSY., Differential (Incl. 2 of Ref. No. 60)
60	780064	2	BUSHING
60A	780120	1	BUSHING
61	778166	2	GEAR, Bevel
62	778131	2	PINION, Bevel
63	786034	1	PIN, Drive
64	780065	2	WASHER, Thrust
65	792125	4	RING, Retaining (Pkg. of 2)
66	792040	1	PIN, Roll
67	780001	2	WASHER, Thrust
68	774891	1	AXLE (14-3/8" Long)
69	774644	1	AXLE (12-1/2" Long)
70	792035	1	RING, Retaining
71	788069	1	SEAL, Square Cut
72	788066	1	SPACER
73	788086	1	BRACKET, Brake Lever
74	792074	1	PLUG, Threaded

Ref. Nos. 1 through 37 on pages 66 & 67.

SIMPLICITY MANUFACTURING, INC.
500 N. Spring St., P.O. Box 997
Port Washington, WI USA 53074-0997

TP-1156-03
PRINTED IN U.S.A.
©1991 11/91