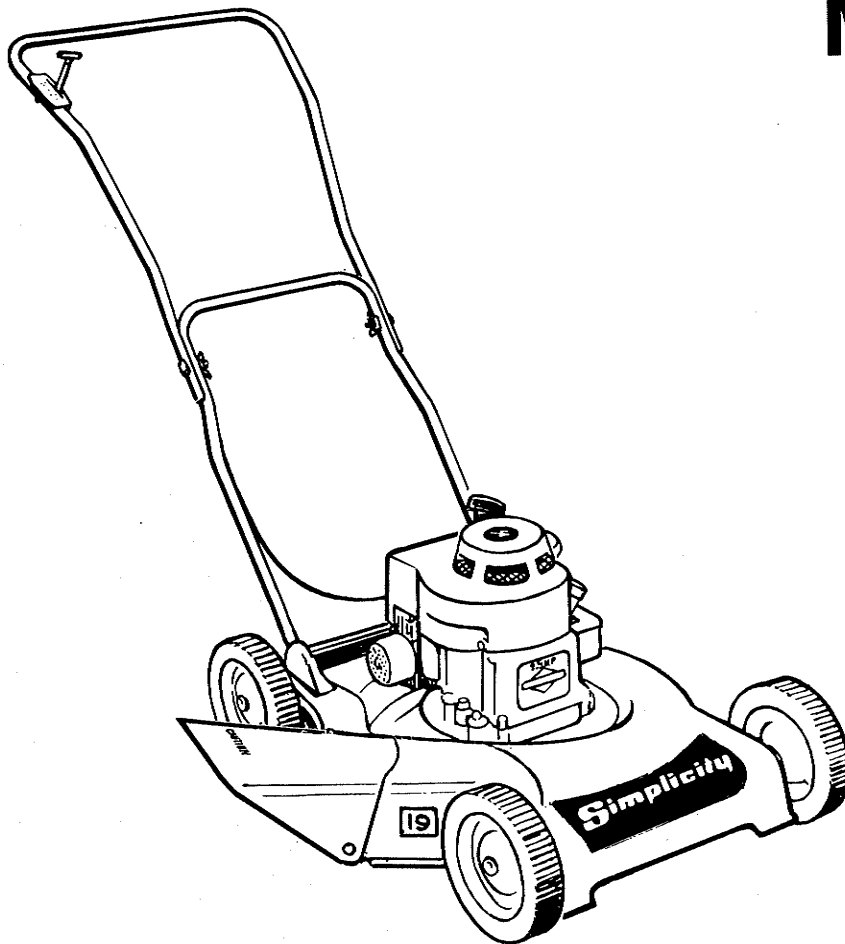


Simplicity[®]

OPERATOR'S MANUAL

MODEL 1119



1119 19" PUSH MOWER
MFG. NO. 1690361



**CAUTION: Read Manual Thoroughly
Before Operating**

FORM 1664124-01
PRINTED IN U.S.A.
27-994



WARNING

Read these safety rules and follow them closely. Failure to obey these rules could result in loss of control of vehicle, severe personal injury to yourself or bystanders, or damage to property or equipment affecting safety.

Safety Rules



This notation preceding Cautions and Warnings in the text signifies important precautionary steps which, if not properly followed, could result in personal injury or damage to your equipment affecting safety.

GENERAL

1. Read the Operating and Service Instruction Manual carefully. Be thoroughly familiar with the controls and proper use of the equipment.
2. Never allow children to operate a power mower.
3. Keep the area of operation clear of all persons, particularly small children and pets.
4. Use only attachments or accessories designed for your machine. See your dealer for a complete list of approved attachments or accessories.

PREPARATION

1. Thoroughly inspect the area where the equipment is to be used and remove all stones, sticks, wire, bones and other foreign objects.
2. Do not operate equipment barefoot or wearing open sandals. Always wear substantial footwear.
3. Handle gasoline with care — it is highly flammable.
4. Disengage self-propelled mechanism or drive clutch on units so equipped before starting engine.
5. Never attempt to make a wheel height adjustment while engine is running.
6. Mow only in daylight or in good artificial light.
7. Never operate equipment in wet grass. Always be sure of your footing; keep a firm hold on the handle and walk, never run.

OPERATION

1. Do not change engine governor setting or overspeed engine.
2. Do not put hands or feet near or under rotating parts. Keep clear of discharge opening at all times.
3. Stop blade when crossing gravel drive, walks or roads.
4. After striking a foreign object stop the engine, remove spark plug wire and fasten away from the plug. Thoroughly inspect

the mower for any damage, and repair the damage before restarting and operating the mower.

5. If the equipment should start to vibrate abnormally, stop the engine and check immediately for the cause. Vibration is generally a warning of trouble.
6. Stop engine whenever you leave the equipment, before cleaning mower housing, and when making any repairs or inspections.
7. When cleaning, repairing or inspecting, make certain blade and all moving parts have stopped. Disconnect spark plug wire and keep wire away from plug to prevent accidental starting.
8. Do not run engine indoors. Exhaust fumes are deadly.
9. Shut engine off and wait until blade comes to a complete stop before removing grass catcher and/or unclogging chute.
10. Mow across the face of slopes, never up and down. Exercise extreme caution when changing direction on slopes. Do not mow excessively steep slopes.
11. NEVER operate mower without proper guards, plates or other safety protective devices in place.
12. Be especially careful not to touch mower or attachment parts which might be hot from operation. Allow such parts to cool before attempting to maintain, adjust or service.

MAINTENANCE AND STORAGE

1. Check blade and engine mounting bolts at frequent intervals for proper tightness.
2. Keep all nuts, bolts, and screws tight to be sure equipment is in safe working condition.
3. Never store equipment with gasoline in the tank inside of a building where fumes may reach an open flame or spark. Allow engine to cool before storing in any enclosure.
4. To reduce fire hazard keep engine free of grass, leaves or excessive grease.
5. Check grass catcher bags frequently for wear or deterioration. Replace with new bags for safety protection.

All WARNING, CAUTION, and other instructional messages on this unit should be carefully read and obeyed. Personal bodily injury can result when these instructions are not followed. The information is for your safety, and it is important.

DANGER!
DEFLECTOR NOT INSTALLED
DO NOT OPERATE

LOCATION: AT END OF CHUTE ON HOUSING.

**Place Foot Here
When Starting**

LOCATION: LEFT SIDE OF HOUSING.

CAUTION

LOCATION: AT END OF GRASS CHUTE EXTENSION.

PROTECTIVE FEATURES (See Fig. 1)

This mower has certain features designed to comply with current standards recommended for added protection for the user. These features include the chute extension (Item 17), the trailing plate (Item 16, Fig. 3), the toe guard (located inside the grass chute) and the starting footpad (located on the top of the mower housing on the left side). **THE MOWER SHOULD NEVER BE OPERATED WITHOUT THESE FEATURES IN PLACE!**

CHUTE EXTENSION

The chute extension should always be kept in place whether mowing with or without the grass catcher. The purpose of this chute is to keep thrown objects near the ground where they can do a minimum of damage.

TOE GUARD

The toe guard is also designed to prevent a high percentage of struck objects from being ejected at high velocity from the chute. It also helps prevent accidental contact with the blade.

TRAILING PLATE

The trailing plate helps prevent accidental contact with the blade from the rear and to reduce the danger from objects thrown toward the rear of the mower.

STARTING FOOTPAD

Always place one foot on the starting footpad when pulling the starting cord and be sure the other foot is clear of the mower. This will help prevent dangerous movement of the mower during starting.

ROTARY MOWERS REQUIRE CAREFUL OPERATION. These features reduce the hazards much below the level of earlier machines, but they are not a complete protection and do not eliminate the need for care and judgement in use of this equipment.

MAINTENANCE

Keep all bolts tight. Inspect several times during cutting season. Put a drop or two of oil on wheel bearings occasionally. If engine won't start, remove spark plug wire and place 1/16" from end of plug. Pull starter sharply. A spark jumping the gap should be visible. If no spark occurs, magneto system is probably faulty. Take mower to your service station for repair. Perform this check in shade as spark may not be visible in bright sun.

BLADE SHARPENING

Always disconnect spark plug wire before working on mower. The blade may be sharpened with a file or grinding wheel. Make sure blade is in balance before use. Balance of blade may be determined by balancing blade on sharp edge or hanging on string or wire through the center hole.

CHUTE EXTENSION INSTALLATION

The chute extension (Item 17, Fig. 1) must be installed before using mower. Insert carriage bolts (Item 18) from inside chute as shown and tighten nuts (Item 19) SECURELY.

FOLDING HANDLES (See Fig. 3)

To fold the handles loosen the two wing nuts (Item 8) from the bolts (Item 6) holding the handle to the yoke. Grab the yoke (Item 9) at the bottom, squeeze inwardly to release yoke from notches in brackets and pull the yoke over the engine. Push handle down over yoke so that the throttle control is toward the rear of the mower. **BE CAREFUL NOT TO KINK THE CABLE!**

CUTTING HEIGHT ADJUSTMENT

If your mower is the 19" model, there are four cutting heights. They are approximately as follows: 3/4", 1-1/2", 2-1/4", 3".

To change cutting height, disconnect spark plug, remove the nut from the wheel underneath the housing and reinsert the bolt in any one of the holes provided. Do not turn mower over to change wheel position. Tighten nut securely. Be sure that all four wheel bolts are in their same respective holes in the housing.

GRASS CATCHER

The grass catcher is an optional item and is highly recommended for keeping lawns free from clippings (Part No. 1690363).

If grass catcher is used with mower, install using the two carriage bolts on top of the chute. **DO NOT REMOVE CHUTE EXTENSION!** Catcher is designed to be used with chute extension in place.

LUBRICATION

Engine

Refer to the Engine Instruction Manual for complete instructions on lubrication, operation and care of the engine.

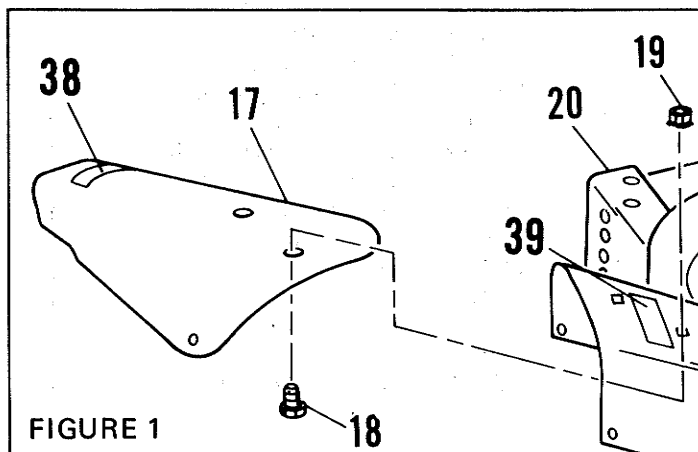


FIGURE 1

OPERATING THE MOWER

STARTING THE MOWER

1. Fill the crankcase with a good quality detergent oil to the point of overflow.

RECOMMENDED OIL
above 40°F (Summer SAE 30)
below 40°F (Winter SAE 5W-20)

2. Fill gas tank with clean, fresh regular or unleaded automotive gasoline.
3. It is recommended to start mower on level ground, preferably a paved walk or driveway.
4. Starting the engine
 - a. Move throttle control lever to "Start" position (Engine is equipped with an automatic choke).
 - b. Place one foot on top of mower housing, as indicated by oval footpad, to prevent mower from moving when pulling the cord.
 - c. Grasp starter cord and pull sharply.
 - d. As soon as engine starts, move the throttle control lever to the desired speed.

CAUTION!

Do not pull starter cord while engine is running.

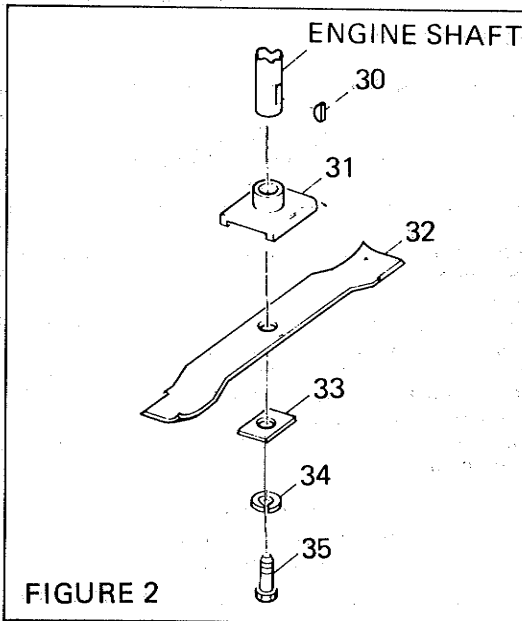
- e. To stop engine move throttle control lever to the "Stop" position

REMOVING BLADE (See Fig. 2)

BEFORE WORKING ON BLADE DISCONNECT SPARK PLUG WIRE! Most new blades are razor sharp and should be handled with extreme care. Used blades may have sharp edges and burrs also. To protect against cuts, wrap ends of blades in cloth. A long 9/16" offset box end wrench is the safest and easiest to use for removing the blade bolt (35). Hold the padded blade with one hand while loosening the bolt with the wrench. When the bolt is removed entirely the blade will come loose.

PARTS LIST FOR MODEL 1690361

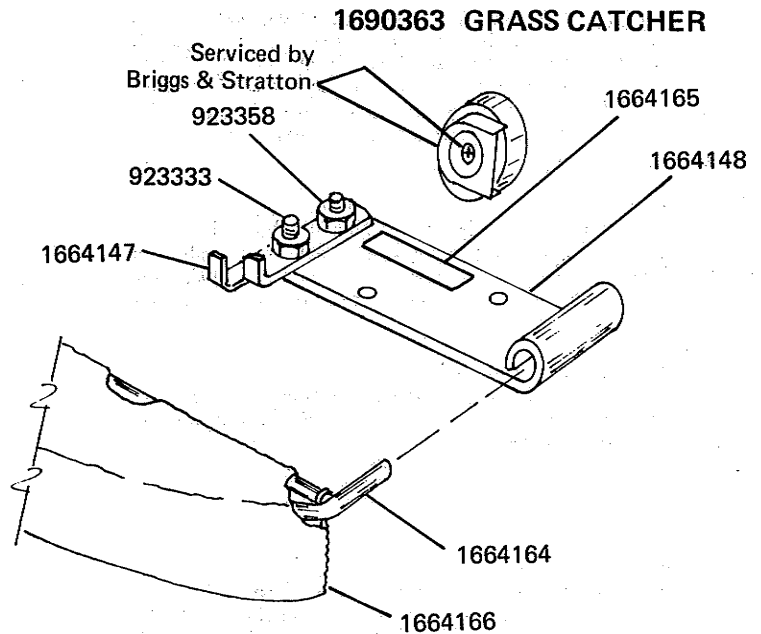
Ref. No.	Part No.	Description	Qty.	Ref. No.	Part No.	Description	Qty.	
1	922837	Bolt - Throttle	1	24	917642	Washer - 3/8 Flat	8	
2	1664070	Washer - Curved	3	25	1664046	Wheel Assembly w/Bearing 7"	4	
3	1664054	Control - Throttle	1	26	1664058	Bearing - Wheel	4	
4	923358	Nut - Throttle	1	27	1664075	Spacer - Wheel	4	
5	1664049	Handle - Folding	1	28	923428	Nut - Baffle	4	
6	108778	Bolt - Handle	2	29	927187	Screw - Engine	3	
7	923300	Washer	2	30	910224	Key - Engine Shaft	1	
8	918468	Nut - Wing	2	31	1664060	Blade Adapter Assembly	1	
9	1664050	Yoke	1	32	1664040	Blade	1	
10	108812	Clamp - Throttle	1	33	1664074	Spacer - Blade Adapter	1	
11	1664068	Screw - Casing	1	34	916965	Washer - Blade	1	
12	1664062	Clamp - Casing	1	35	927008	Bolt - Blade	1	
13	1664053	Bracket Assembly - R.H.	1	36	924280	Pop Rivet	2	
14	1664063	Clip - Hairpin	2	37	1664064	Clip	1	
15	1664052	Bracket Assembly - L.H.	1	38	1664079	Decal - "Caution"	1	
16	1664057	Trailguard	1	39	1664077	Decal - "Danger...."	1	
17	1664083	Chute Extension	1	40	1664078	Decal - "Place Foot Here...."	1	
18	1664065	Bolt - Carriage	2	41	1664176	Guard - Blade	1	
19	1664067	Nut - Keps	2	42	1664184	Rivet - 1/4" Pop	3	
20	1664044	Housing	1	43	106719	Decal - Simplicity 6"	1	
21	925391	Bolt - 1/4-20 x 5/8	4	44	170489	Decal - 19"	1	
22	1664071	Baffle	2	45	1663834	Decal - Deck, Simplicity	1	
23	921972	Bolt - 3/8-16 x 2-1/2	4					
				OPTIONAL ACCESSORY				
				1690363 Grass Catcher				
				1664166 Replacement Bag				



After sharpening or when replacing with a new blade, first inspect the blade adapter (31) for cracks. If the adapter has been removed, be sure the woodruff key (30) is in the engine slot and does not slip out as the adapter is slid onto the engine shaft. Replace blade with rectangular washer (33) and lock washer (34) as shown and tighten engine bolt (35) securely. Recommended torque is 35 ft.-lbs.

AN UNBALANCED OR BENT BLADE WILL CAUSE VIBRATION DAMAGE NOT COVERED BY WARRANTY.

Keeping a spare sharp blade on hand will avoid delay when replacement becomes necessary. (See page 5 for ordering instructions.)



UNDER NORMAL USAGE THIS BAG IS SUBJECT TO WEAR AND DETERIORATION AND SHOULD BE CHECKED PERIODICALLY. BE SURE ANY REPLACEMENT BAG MEETS MANUFACTURER'S SPECIFICATIONS.

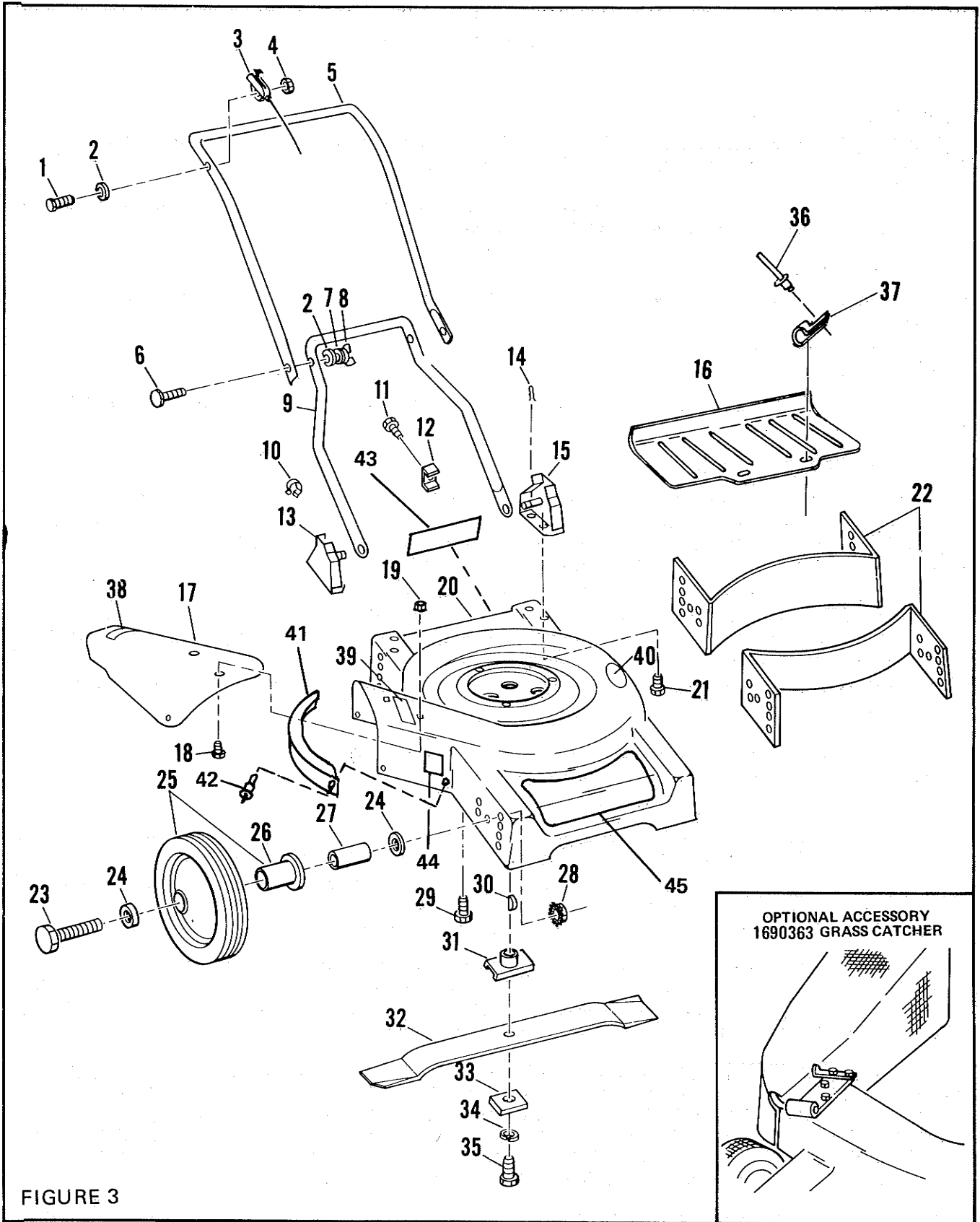


FIGURE 3

INSTRUCTIONS FOR ORDERING PARTS... MOWER PARTS can be ordered from the dealer from whom your mower was purchased or from an authorized parts distributor. Be sure to specify the part number, not reference number, and the description of each required item - also, the model and serial number of your mower.

LIMITED WARRANTY

COVERED BY WARRANTY

Simplicity Manufacturing Company, Division of Allis Chalmers Corporation (The Company), warrants to the owner that each new product listed below is merchantable and free of defects in workmanship and material.

During the warranty period, any authorized Company Dealer will provide, free of charge, both parts and labor necessary to correct any defect in workmanship and material.

WARRANTY PERIOD

The Simplicity Products listed below are warranted for the stated period from the date of the original purchase:

- | | |
|---|-----------|
| (1) All lawn, garden, snow, and other equipment | 12 Months |
| (2) Repair parts | 90 Days |

Repair parts installed on products receive the same warranty period remaining for the product or 90 days, whichever is longer.

OWNER RESPONSIBILITIES

The owner of a new Simplicity Product must do the following to qualify for warranty service:

(1) Retain the original invoice or other proof of purchase or send in your warranty registration card to avoid unnecessary difficulties in determining your eligibility for warranty work. (Warranty registration card not required to obtain warranty work if other proof of purchase is shown.)

(2) Notify your nearest Simplicity dealer as soon as possible after discovery of a possible defect, and provide proof of original purchase or warranty registration card (if any). If you are not aware of your nearest Simplicity dealer write for such information to: Simplicity Manufacturing Company, Division of Allis Chalmers Corporation, Attn: Customer Services, 500 N. Spring Street, Port Washington, WI 53074.

(3) Return your equipment, or parts, to your nearest authorized Simplicity Dealer for inspection and warranty service.

NOT COVERED BY WARRANTY

The following are not covered by this warranty:

- (1) Transportation charges to and from dealers; OR
- (2) New products which have been subject to operation in excess of recommended capacities, misuse, negligence or accident, or have been altered or repaired in a manner not authorized by Company; OR
- (3) Engine, tires, generators, voltage regulators, transaxles, or accessories that are warranted separately by their respective manufacturers, except Company agrees to make available to the owners whatever warranty benefits may be made available to the Company by the manufacturers.

ALL IMPLIED WARRANTIES, EXCEPT TO THE EXTENT PROHIBITED BY ANY APPLICABLE LAW, SHALL HAVE NO GREATER DURATION THAN THE WARRANTY PERIOD FOR THE APPLICABLE PRODUCT. SOME STATES DO NOT ALLOW LIMITATIONS ON HOW LONG AN IMPLIED WARRANTY LASTS, SO THE ABOVE LIMITATION MAY NOT APPLY TO YOU.

THE COMPANY'S LIABILITY ARISING OUT OF WARRANTIES, REPRESENTATIONS, INSTRUCTIONS, OR DEFECTS FROM ANY CAUSE, SHALL BE LIMITED EXCLUSIVELY TO REPAIR OR REPLACING PARTS UNDER THE CONDITIONS IN THIS WARRANTY, AND IN NO EVENT WILL COMPANY BE LIABLE FOR INCIDENTAL OR CONSEQUENTIAL DAMAGES. SOME STATES DO NOT ALLOW THE EXCLUSION OR LIMITATION OF INCIDENTAL OR CONSEQUENTIAL DAMAGES, SO THE ABOVE LIMITATION OR EXCLUSION MAY NOT APPLY TO YOU.

THIS WARRANTY GIVES YOU SPECIFIC LEGAL RIGHTS, AND YOU MAY ALSO HAVE OTHER RIGHTS WHICH VARY FROM STATE TO STATE.

SIMPLICITY MANUFACTURING COMPANY

500 North Spring Street Port Washington, Wisconsin 53074