

#6-3041 SNAPPERIZER KIT for SNAPPER 21" STEEL DECK MOWERS

This kit will install on all 21" Steel Deck: Hi-Vac (Rolled under edge type of deck), "M" prefix and "F" prefix Series Walk Behind Mowers. This kit will convert your SNAPPER 21" mower into an effective pulverizer of leaves, pine straw, light twigs and similar lawn debris. The Snapperizer is intended primarily for use with grass catcher equipped mowers to vacuum and bag the pulverized material. But, can also be used with side discharge mowers to broadcast materials back onto the lawn.

RECOMMENDED USE: Install the Snapperizer for Spring and Fall clean-ups but remove it during the regular grass cutting season. The mower will cut grass with the Snapperizer if no more than 1/2" is being cut off the top, however, heavy and/or wet clippings will quickly clog the Snapperizer screen. Use the Snapperizer under the driest possible conditions for best results. Your mower will do a great job of vacuuming driveways and walks with only the bottom plate of the kit installed.

PREPARING THE MOWER FOR SNAPPERIZER

WARNING
Before attempting any adjustments, maintenance, service, or repairs, stop engine and blade, always remove key from ignition switch, remove spark plug wire and secure wire away from spark plug.

1. Disconnect the spark plug wire and secure it away from the plug to prevent unintentional starting.
2. Empty the fuel tank or tape vent in fuel filler cap closed to prevent leakage.
3. Tilt the mower back on its handles and block deck in raised position to allow working on the underside of the deck.

WARNING
Wear heavy leather gloves when handling or working around cutting blades. Blades are extremely sharp and can cause severe injury. Never use a cutting blade that shows signs of excessive wear or damage.

4. Block cutting blade to prevent it's turning then remove the blade. Save blade and hardware; these items will be reinstalled after the screen is in position.
5. Use a metal scraper and wire brush to remove dirt and grass clippings from the underside of the deck to allow proper fitting of the Snapperizer screen.

INSTRUCTION #4-6554 (REV. 1, 2/24/99)

INSTALLING THE SNAPPERIZER

1. Position the screen on underside and turn it until the three studs on the screen go through the matching holes in deck then secure with three split lockwashers and hex nuts on topside of deck. See Figure 1.

UNDERSIDE VIEW OF DECK

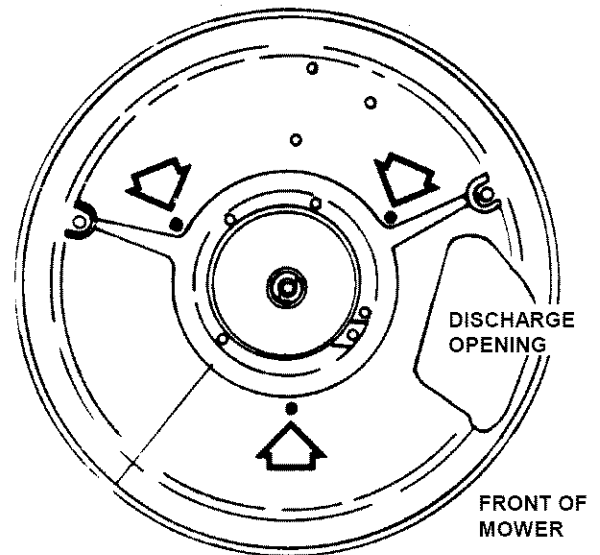


Figure 1 - Screen Mounting Holes

2. Reinstall the cutting blade, position widest part of cone washer next to the blade then reinstall the retaining screw and tighten to 30 to 40 ft. lbs. torque. See Figure 2.

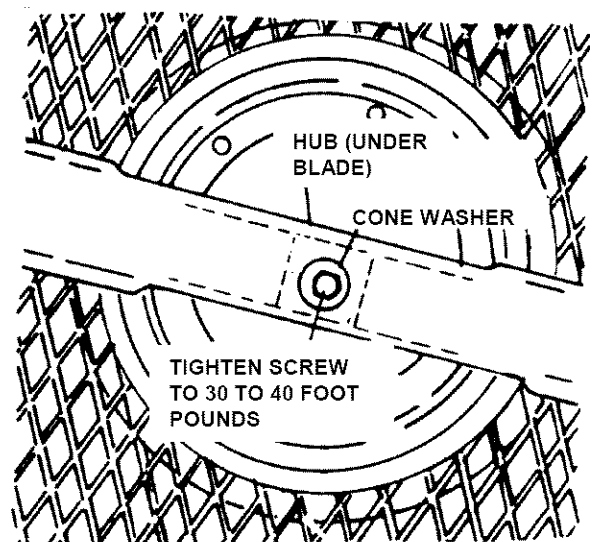


Figure 2 - Blade Installed After Screen

(over)

#6-3041 SNAPPERIZER KIT

3. Hook the ends of the springs over the tabs on the bottom plate as shown. See Figure 3. After hooking the springs on the tabs, use pliers to squeeze each hook closed over the tab.

CLOSE ENDS WITH PLIERS

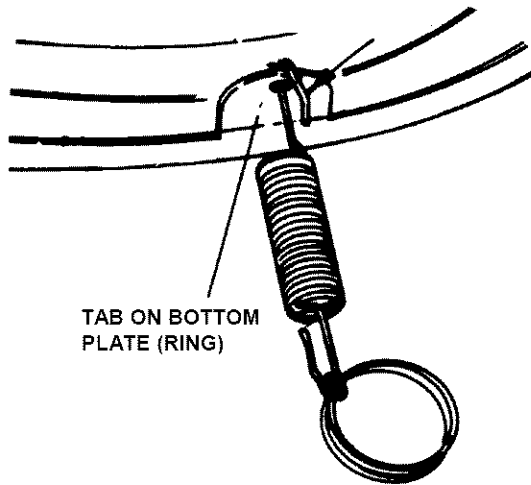


Figure 3 - Spring Connection Detail

4. Position the bottom plate with FRONT marking between the front wheels. See Figure 4. Hook the ends of each spring over the nearest wheel arm bracket. Reconnect the spark plug wire to ready the mower for operation.

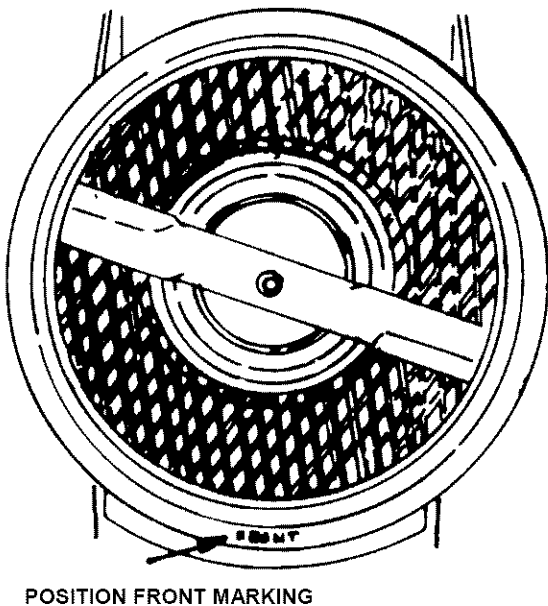


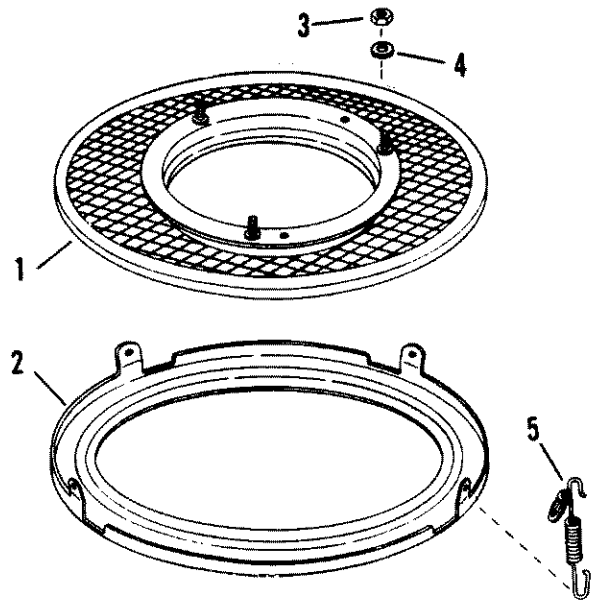
Figure 4 - Bottom Plate Marking

OPERATING HINTS

Before starting the engine, raise the mower deck into the highest cutting height (lowest notches) or in position to allow maximum pulverizing with minimum of grass being cut. Run engine at top speed and low ground speed for best results. If leaf build-up is high, push down on handles to raise deck above the pile then lower deck slow enough to allow pulverizing without choking the deck with leaves and stalling the engine.

CAUTION: The Snapperizer is not intended for shredding large sticks or tree limbs. The area must be cleared of stones, wire, large sticks or other objects, which could jam the blade and stall the engine. If jamming occurs, and cannot be cleared by rotating blade with recoil starter, DISCONNECT and SECURE SPARK PLUG WIRE, raise deck and manually rotate blade until jamming object can be removed.

KIT PARTS LIST



ITEM	PART NO.	DESCRIPTION
1	5-1243	SCREEN, Fastener Assembly
2	7-2002	RING, Bottom
3	9-0223	NUT, 5/16-24 Hex (3)
4	9-0187	WASHER, 5/16 Split Lock (3)
5	1-2587	SPRING (4)

AIR CLEANER SERVICE NOTE: The pulverizing of dry debris is a dusty/dirty operation. Because of this, wear a facemask and service the air cleaner after use under such conditions rather than waiting for normal service interval. Also, keep grass catcher bag clean to allow for proper air flow.