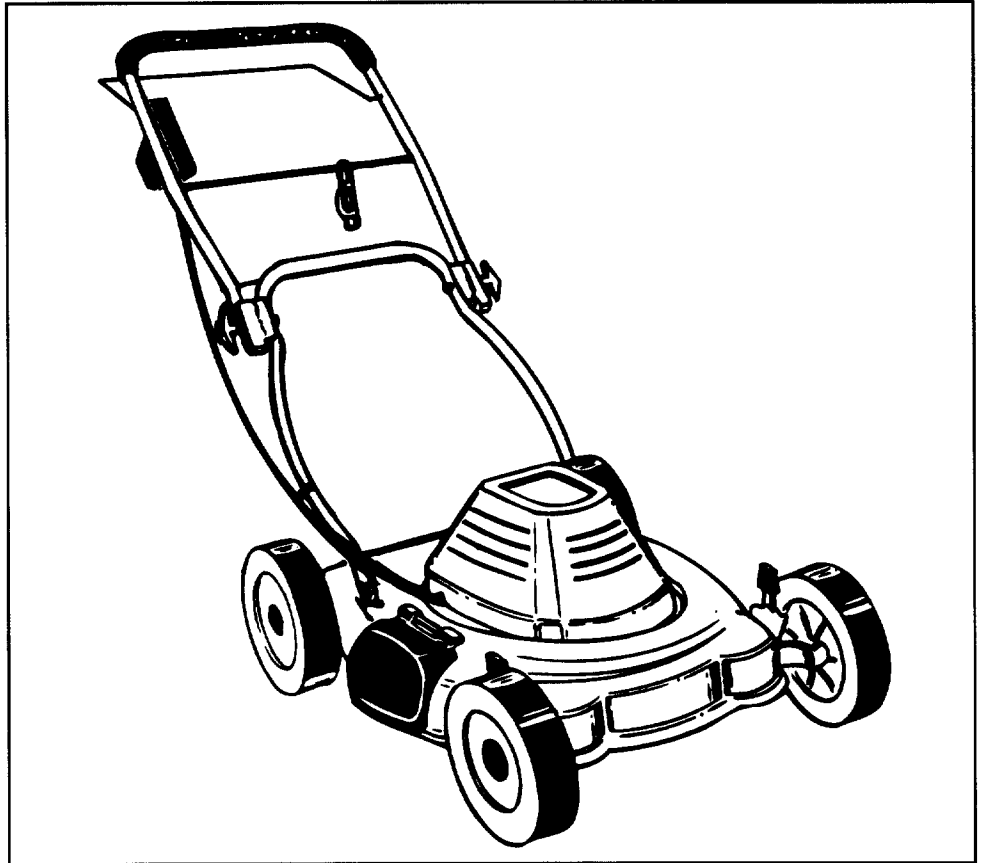


SEARS

**OWNER'S
MANUAL**

**MODEL NO.
247.370291**



CRAFTSMAN®

**110V 12AMP ELECTRIC
DOUBLE INSULATED
18" MULCHING
LAWN MOWER**

**Caution:
Read and Follow
All Safety Rules
and Instructions
Before Operating
This Equipment**

**Assembly
Operation
Customer Responsibilities
Service and Adjustment
Repair Parts**

This symbol on the product's nameplate
means it is listed by
UNDERWRITERS LABORATORIES INC.



SEARS, ROEBUCK AND CO., Hoffman Estates, IL 60179 U.S.A.

FORM NO. 770-0254L

IMPORTANT

SAFE OPERATION PRACTICES



THIS SYMBOL POINTS OUT IMPORTANT SAFETY INSTRUCTIONS WHICH, IF NOT FOLLOWED, COULD ENDANGER THE PERSONAL SAFETY AND/OR PROPERTY OF YOURSELF AND OTHERS. READ AND FOLLOW ALL INSTRUCTIONS IN THIS MANUAL BEFORE ATTEMPTING TO OPERATE YOUR ELECTRIC LAWN MOWER. FAILURE TO COMPLY WITH THESE INSTRUCTIONS MAY RESULT IN PERSONAL INJURY. WHEN YOU SEE THIS SYMBOL — **HEED ITS WARNING.**



DANGER:

Your electric lawn mower was built to be operated according to the rules for safe operation in this manual. As with any type of power equipment, carelessness or error on the part of the operator can result in serious injury. If you violate any of these rules, you may cause serious injury to yourself or others.



WARNING: When using electric lawn mowers, basic safety precautions should always be followed to reduce the risk of fire, electric shock, and personal injury, including the following:

TRAINING

- Read all instructions carefully in their entirety before attempting to assemble or operate this machine. Be completely familiar with the controls and the proper use of this machine before operating it. Keep this manual in a safe place for future and regular reference and for ordering replacement parts.
- Your rotary mower is a precision piece of power equipment—not a plaything. Therefore, exercise extreme caution at all times.
- Use Right Appliance—Do not use lawn mower for any job except that for which it is intended.
- Never allow children to operate a power mower. Only persons well acquainted with these rules of safe operation should be allowed to use your mower.
- No one should operate this unit while intoxicated or while taking medication that impairs the senses or reactions.
- Stay Alert—Watch what you are doing. Use common sense. Do not operate lawn mower when you are tired.
- Keep the area of operation clear of all persons, particularly small children and pets. Stop motor when they are in the vicinity of your mower. Although the area of operation should be completely cleared of foreign objects, an object may have been overlooked and could be accidentally thrown by the mower in any direction and cause serious personal injury to the operator or any others allowed in the area.



PREPARATION

- Thoroughly inspect the area where the equipment is to be used. Remove all stones, sticks, wire, bones and other foreign objects which could be picked up and thrown by the mower in any direction and cause serious personal injury to the operator or any others allowed in the area.
- Always wear safety glasses or eye shields during operation or while performing an adjustment or repair, to protect eyes from foreign objects that may be thrown from the machine in any direction. Always use face or dust mask if operation is dusty.
- Dress properly. Wear sturdy, rough-soled work shoes. Never operate a unit in barefeet, sandals or sneakers. Do not wear loose clothing or jewelry. They can be caught in moving parts. Use of rubber gloves and footwear is recommended when working outdoors.
- Never attempt to make a wheel or cutting height adjustment while the motor is running.
- Mow only in daylight or in good artificial light.
- Avoid Dangerous Environment—Never operate the equipment in the rain or in damp wet locations. Always be sure of your footing. A slip and fall can cause serious personal injury. Keep a firm hold on the handle and walk, never run. Do not over-reach—keep footing and balance at all times.
- Warning—To prevent electric shock use only with a UL Listed extension cord set suitable for outdoor use, such as Type SW-A, SOV-A, STW-A, STOW-A, SJW-A, SJOW-A, SJTW-A, or SJTOW-A.
- Extension Cord—Make sure your extension cord set is in good condition, is heavy enough to carry the current your mower will draw, and is polarized (one blade of plug is wider than the other). A 100' length of 14 AWG extension cord should be used. An acceptable substitute is a 10' length of 16 AWG cord. In applications where a longer cord is needed, a 150' length of 12 AWG cord may be used. An undersized cord will cause a drop in line voltage resulting in loss of power and overheating. To reduce the likelihood of disconnection of the extension cord set from the lawn mower, be sure to use the cord restraint provided or make a knot as shown in the illustration in next column.

Extension Cord Appliance Cord



- To reduce the risk of electric shock, your mower is equipped with a polarized plug (one blade of plug is wider than the other). If the outlet on the end of your extension cord does not fit fully into the plug on your mower, reverse the outlet and try plugging it in again. The same is true for the end of the extension cord you plug into your house outlet. If after reversing the connections, either one still does not fit, contact a qualified electrician to install the proper outlet and/or plug. Do not change the plug on the mower in any way.
- Inspect extension cord periodically and replace if damaged. Keep handles dry, clean, and free from oil and grease.
- Fuses—The mower should be operated on a 15 or 20 AMP circuit. If difficulty in starting is experienced with a standard 15 AMP fuse or circuit breaker, contact your nearest authorized service location. Do not use a higher rated fuse without consulting your power company.
- Ground Fault Circuit Interrupter (GFCI) protection should be provided on the circuit(s) or outlet(s) to be used for the lawn mower. Receptacles are available having built-in GFCI protection and may be used for this measure of safety.
- For your safety, use the slope gauge included as part of this manual to measure slopes before operating this unit on a sloped or hilly area. If the slope is greater than 15° as shown on the slope gauge, do not operate this unit on that area or serious injury could result.



OPERATION

- Do not abuse cord—never pull lawn mower by cord or yank it to disconnect from receptacle. Keep cord from heat, oil, and sharp edges.
- If extension cord is damaged in any manner while plugged in, disconnect extension cord from house receptacle.
- Do not put hands or feet near or under rotating parts. Keep clear of the discharge opening at all times as the rotating blade can cause injury.
- Stop the motor when you leave the mower and before crossing gravel drives, walks or roads.
- After striking a foreign object, shut off the motor, make absolutely sure the blade and all moving parts have completely stopped, disconnect the power cord to prevent accidental starting, then thoroughly inspect the mower for any damage. Such damage must be repaired before restarting and operating the mower.
- If the equipment should start to vibrate abnormally, stop the motor and check immediately for the cause. Vibration is generally a warning of trouble.
- Stop the motor, unplug the power cord, and wait for the blade and all moving parts to stop before cleaning or unclogging, repairing or inspecting the mower. The cutting blade continues to rotate for a few seconds after the motor is shut off.
- Do not force lawn mower. It will do the job better and safer at the rate for which it was designed. Use right appliance—Do not use lawn mower for any job except that for which it is intended.
- Mow across the face of slopes, never up-and-down. Never cut grass by pulling mower toward you. Exercise extreme caution when operating mower on uneven terrain or changing direction on slopes. Do not mow excessively steep slopes. Don't overreach—Keep proper footing and balance at all times. A slip and fall can cause serious personal injury.
- Never operate mower without proper guards, plates or other safety protective devices in place and in working order.

SAFE OPERATION PRACTICES (Continued)

- **The blade/motor control on this mower is installed to minimize the risk of blade contact injury and is required by federal regulations. Do not under any circumstances attempt to defeat the function of the blade/motor control.**
- To avoid electric shock hazard, never push mower over cord. Do not mow around the lawn in circles. Always travel back and forth across the lawn, beginning at the point nearest the electric outlet to which the extension cord is connected. This will keep the cord on the mowed area of the lawn and out of the way.
- Do not operate mower after it has been dropped or damaged in any manner. Return mower to nearest authorized service location.
- The use of accessory attachments not recommended by the mower manufacturer may cause hazards.
- Do not operate this mower with the chute door open, unless the complete grass catcher or side chute deflector is properly mounted on the mower.

MAINTENANCE AND STORAGE

- **Warning**—Disconnect power cord from electrical outlet before performing any maintenance or service on mower.
- Check the blade and motor mounting bolts at frequent intervals for proper tightness. Keep all nuts, bolts, and screws tight to be sure the equipment is in safe working condition.
- Keep blade sharp.
- Use identical replacement blades only. Replace damaged cord.
- To reduce fire hazard, keep the motor free of grass, leaves, or excessive grease.

- Store idle lawn mower indoors when not in use. Allow motor to cool before storing in any enclosure. Lawn mower should be stored indoors in dry, high or locked-up place, out of reach of children.
- Maintain lawn mower with care. Keep blade sharp and clean for best and safest performance. **Follow instructions for lubricating and changing accessories.**
- Check the grass catcher bag frequently for wear or deterioration. Replace a worn or damaged bag immediately. Be sure replacement bag meets original equipment specifications.



DOUBLE INSULATED LAWN MOWER

DOUBLE INSULATION IS A CONCEPT IN SAFETY IN ELECTRIC LAWN MOWERS, WHICH ELIMINATES THE NEED FOR THE USUAL THREE WIRE GROUNDED POWER CORD AND GROUNDED SUPPLY SYSTEM. WHEREVER THERE IS ELECTRIC CURRENT IN THE MOWER, THERE ARE TWO COMPLETE SETS OF INSULATION TO PROTECT THE USER. ALL EXPOSED METAL PARTS ARE ISOLATED FROM THE INTERNAL METAL MOTOR COMPONENTS WITH PROTECTING INSULATION.

IMPORTANT—SERVICING OF A LAWN MOWER WITH DOUBLE INSULATION REQUIRES EXTREME CARE AND KNOWLEDGE OF THE SYSTEM AND SHOULD BE PERFORMED ONLY BY A QUALIFIED SERVICE TECHNICIAN. FOR SERVICE WE SUGGEST YOU RETURN THE LAWN MOWER TO YOUR NEAREST AUTHORIZED SERVICE DEALER FOR REPAIR. ALWAYS USE ORIGINAL FACTORY REPLACEMENT PARTS WHEN SERVICING.

SAVE THESE INSTRUCTIONS

CONGRATULATIONS on your purchase of a Sears Craftsman Lawn Mower. It has been designed, engineered and manufactured to give you the best possible dependability and performance.

Should you experience any problem you cannot easily remedy, please return the lawn mower to the nearest Sears Service Center/Department in the United States. We have competent, well-trained technicians and the proper tools to service or repair this unit.

Please read and retain this manual. The instructions will enable you to assemble and maintain your lawn mower properly. Always observe the "SAFETY RULES."

PRODUCT SPECIFICATIONS

Voltage:	110 - 120 AC
Amperage:	12
Hz:	60
Blade Bolt Torque:	450-600 in. lbs.

MODEL NUMBER 247.370291
SERIAL NUMBER _____
DATE OF PURCHASE _____
THE MODEL AND SERIAL NUMBERS WILL BE FOUND ON A LABEL ATTACHED TO THE DECK, NEAR THE RIGHT REAR WHEEL.
YOU SHOULD RECORD BOTH SERIAL NUMBER AND DATE OF PURCHASE AND KEEP IN A SAFE PLACE FOR FUTURE REFERENCE.

MAINTENANCE AGREEMENT

A Sears Maintenance Agreement is available on this product. Contact your nearest Sears store for details.

CUSTOMER RESPONSIBILITIES

- Read and observe the safety rules.
- Follow a regular schedule in maintaining, caring for and using your lawn mower.
- Follow the instructions under "Customer Responsibilities" (page 10) and "Storage" sections of this Owner's Manual.

FULL ONE YEAR WARRANTY ON CRAFTSMAN LAWN MOWER

For one year from the date of purchase, when this Craftsman lawn mower is maintained, lubricated, and tuned up according to the operating and maintenance instructions in the operator's manual, Sears will repair, free of charge, any defect in material or workmanship.

This warranty excludes the mower blades and blade adapters, which are expendable parts and become worn during normal use.

If this lawn mower is used for commercial or rental purposes, this warranty applies for only 30 days from the date of purchase.

WARRANTY SERVICE IS AVAILABLE BY CONTACTING THE NEAREST SEARS SERVICE CENTER IN THE UNITED STATES. THIS WARRANTY APPLIES ONLY WHILE THIS PRODUCT IS IN USE IN THE UNITED STATES.

This warranty gives you specific legal rights, and you may also have other rights which vary from state to state.

SEARS ROEBUCK AND CO., DEPT. 817WA, HOFFMAN ESTATES, IL 60179

TABLE OF CONTENTS

SAFETY RULES2, 3	CUSTOMER RESPONSIBILITIES10, 11
PRODUCT SPECIFICATIONS4	SERVICE AND ADJUSTMENTS12
CUSTOMER RESPONSIBILITIES4	STORAGE12
WARRANTY4	TROUBLE SHOOTING13
INDEX5	PARTS ORDERING/SERVICE13
MOWER ACCESSORIES5	REPAIR PARTS14, 15
ASSEMBLY6	SLOPE GAUGE16
OPERATION7-10	

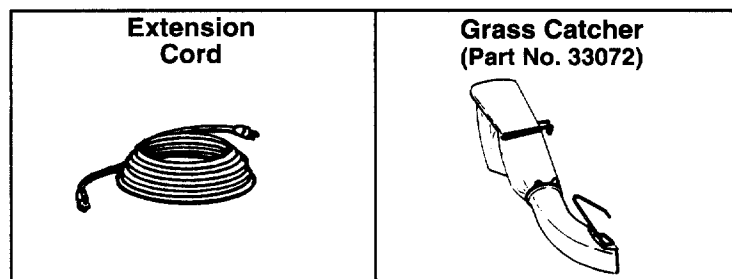
INDEX

<p style="text-align: center;">A</p> <p>Adjustments:</p> <p style="padding-left: 20px;">Cutting Height8</p> <p style="padding-left: 20px;">Handle Height11</p> <p>Assembly6</p> <p style="text-align: center;">B</p> <p>Blade:</p> <p style="padding-left: 20px;">Balancing11</p> <p style="padding-left: 20px;">Replacement10, 11</p> <p style="padding-left: 20px;">Sharpening11</p> <p style="text-align: center;">C</p> <p>Circuit Breaker7, 10</p> <p>Cleaning11</p> <p>Controls:</p> <p style="padding-left: 20px;">Motor/Blade Control7, 8</p> <p>Cord Restraint7, 9</p> <p>Customer Responsibilities4, 10, 11</p> <p>Cutting Heights8</p> <p style="text-align: center;">E</p> <p>Extension Cord2, 9, 12</p>	<p style="text-align: center;">H</p> <p>Handle Storage12</p> <p style="text-align: center;">L</p> <p>Lubrication:</p> <p style="padding-left: 20px;">Motor10</p> <p style="padding-left: 20px;">Wheels10</p> <p style="padding-left: 20px;">Wheel Adjusters10</p> <p style="text-align: center;">M</p> <p>Maintenance:</p> <p style="padding-left: 20px;">Agreement4</p> <p style="padding-left: 20px;">Blade Care/Replacement10, 11</p> <p style="padding-left: 20px;">Cleaning11</p> <p style="padding-left: 20px;">Lubrication10</p> <p style="text-align: center;">O</p> <p>Operating Mower7-10</p> <p style="text-align: center;">R</p> <p>Repair/Replacement Parts13, 14</p> <p>Responsibilities, Customer4, 10, 11</p>	<p style="text-align: center;">S</p> <p>Safety Rules2, 3</p> <p>Service and Adjustments:</p> <p style="padding-left: 20px;">Cutting Height8</p> <p style="padding-left: 20px;">Handle Height11</p> <p style="padding-left: 20px;">Rear Trail Shield11</p> <p>Specifications4</p> <p>Starting the Motor/Blade8</p> <p>Stopping the Motor/Blade8</p> <p>Storage12</p> <p style="text-align: center;">T</p> <p>Table of Contents5</p> <p>Trouble Shooting Guide13</p> <p style="text-align: center;">W</p> <p>Warranty4</p> <p>Wheels:</p> <p style="padding-left: 20px;">Adjusting Height8</p> <p style="padding-left: 20px;">Lubrication10</p>
--	--	--

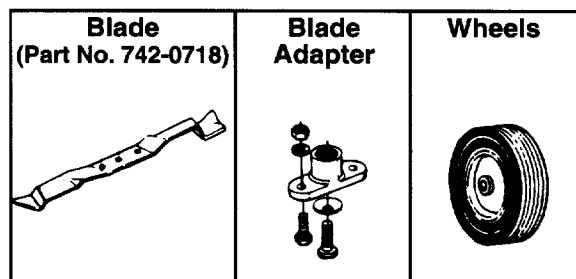
MOWER ACCESSORIES

These accessories were available when the mower was purchased. They are also available at most Sears retail outlets, catalog and service centers. Most Sears stores can order repair parts for you, when you provide the model number of your mower.

MOWER PERFORMANCE



MOWER MAINTENANCE



ASSEMBLY

NOTE: Reference to right or left hand side of the mower is observed from the operating position.

TO REMOVE MOWER FROM CARTON

- Remove the carton inserts (if any). Remove the owner's manual and side discharge chute which are in the carton. Lift the mower from the carton, or cut the corners of the carton and roll the mower out.

NOTE: A grass catcher bracket is in the bag with the owner's manual. Keep this bracket in a safe place. If you purchase the optional grass catcher, mount the bracket on the right side of the upper handle as shown on page 14 of this manual, key 87.

HOW TO SET-UP YOUR LAWN MOWER

- Remove any cardboard pieces which may be between the upper and lower handles for shipping purposes.
- Pull up and back on the lower handle. Pivot the upper handle up to raise the handle into the operating position. See figure 1.
- The upper handle may be adjusted to three different height positions. To select desired position, align one of the three marks on the top of the lower handle insulators with the mark on the upper handle insulators. Tighten the hand knobs.
- Remove the hairpin clips from the outer hole in the weld pins on the handle mounting brackets. Place the hairpin clips in the **inner** hole. See figure 2.

NOTE: The outer hole in the weld pin is for storage. The hairpin clip must be placed in the inner hole for operation.

- Make certain all nuts and bolts are tightened securely.

Your mower has been shipped as a mulcher. To discharge grass to the side, proceed as follows:

- To convert your mower from a mulcher to a side discharge mower, lift the mulching plug. See figure 3. Slide the two hooks on the side discharge deflector under the hinge pin on the mulching plug assembly. Lower the mulching plug.

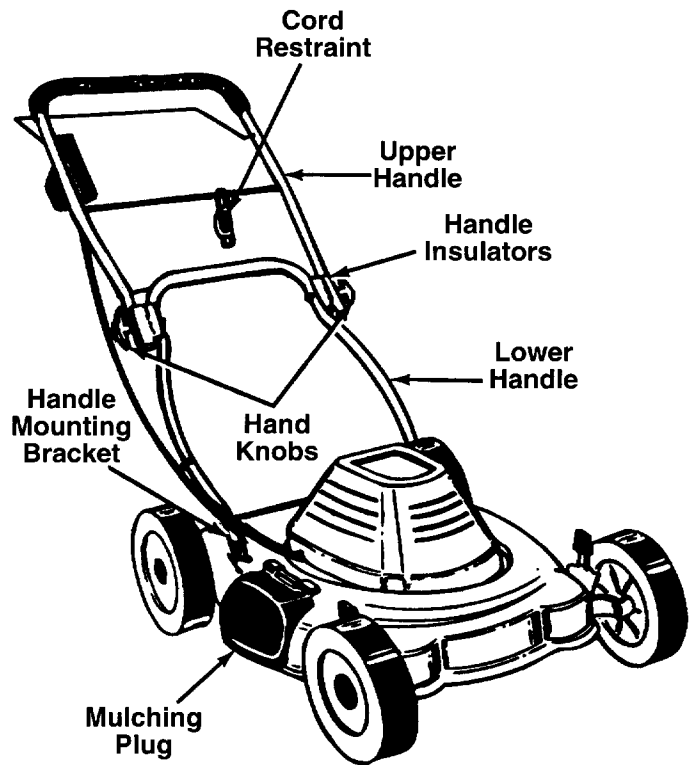


FIGURE 1.

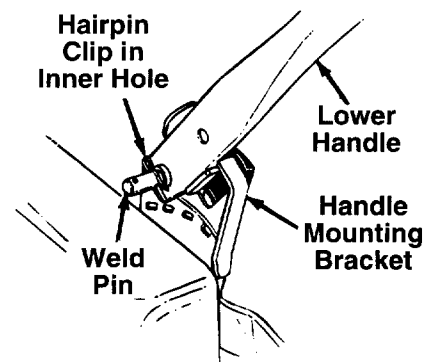


FIGURE 2.

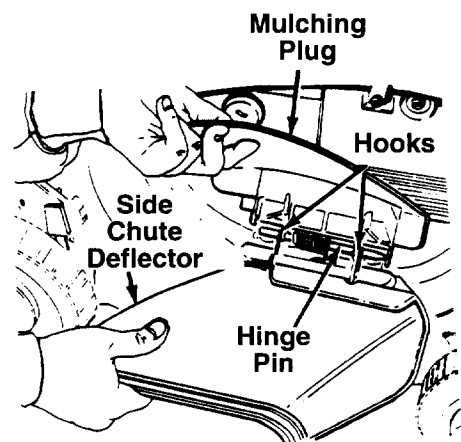


FIGURE 3.

OPERATION

KNOW YOUR LAWN MOWER

READ THIS OWNER'S MANUAL AND SAFETY RULES BEFORE OPERATING YOUR LAWN MOWER. Compare the illustrations with your lawn mower to familiarize yourself with the location of various controls and adjustments. Save this manual for future reference.

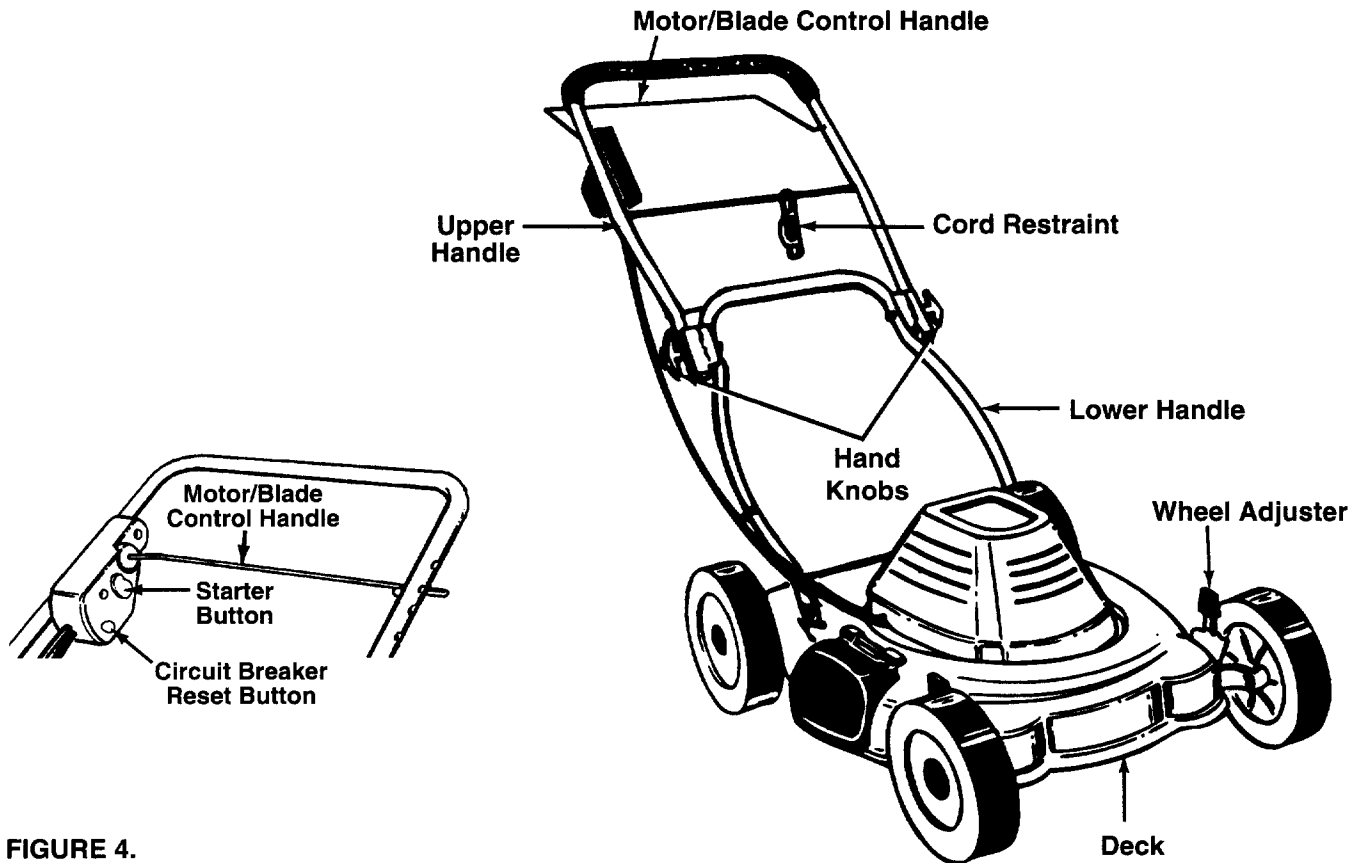


FIGURE 4.

MEETS CPSC BLADE SAFETY REQUIREMENTS

Sears Lawn Walk-Behind Mowers conform to the safety standards of the American National Standards Institute, Underwriters Laboratories, Inc., and the U.S. Consumer Product Safety Commission. The blade turns when the motor is running.

MOTOR/BLADE CONTROL—consists of two parts, the motor/blade control handle and the starter button.

- **Motor/Blade Control Handle**—must be held against the handle to start and run the motor and blade. Release to stop the motor and blade.
- **Starter Button**—must be depressed in order to engage the motor/blade control handle.

CORD RESTRAINT—helps prevent disconnection of extension cord from motor/blade control.

CIRCUIT BREAKER RESET BUTTON—used to reset the circuit breaker (circuit breaker prevents too much strain being placed on the mower).

BEFORE USING YOUR LAWN MOWER, AGAIN REFER TO THE "SAFETY RULES" AS SHOWN ON PAGE 2 OF THIS MANUAL. ALWAYS BE CAREFUL.



The operation of any lawn mower can result in foreign objects being thrown into the eyes, which can result in severe eye damage. Always wear safety glasses or eye shields before starting power tool operation or while performing any adjustments or repairs. We recommend Wide Vision Safety Mask for over spectacles or standard glasses available at Sears Retail or Catalog Stores.

HOW TO USE YOUR MOWER



WARNING: DO NOT OPERATE THE MOWER WITHOUT THE PROTECTIVE SHIELD ON THE REAR OF THE DECK IN PLACE.



WARNING: BE SURE THAT LAWN IS CLEAR OF STONES, STICKS, TWIGS, OR OTHER OBJECTS WHICH COULD DAMAGE LAWN MOWER OR ENGINE. SUCH OBJECTS COULD BE ACCIDENTALLY THROWN BY THE MOWER IN ANY DIRECTION AND CAUSE SERIOUS PERSONAL INJURY TO THE OPERATOR AND OTHERS.



WARNING: TO PREVENT ELECTRIC SHOCK, DO NOT OPERATE THE MOWER IN DAMP OR WET LOCATIONS.

TO STOP MOTOR AND BLADE

- Release the motor/blade control handle to stop the engine and blade. (You will hear a high pitched noise, which is the result of deceleration of the electric motor. Sparking at the top of motor, inside the motor cover, is also normal during deceleration.)



WARNING: THE BLADE CONTINUES TO ROTATE FOR A FEW SECONDS AFTER THE MOTOR IS SHUT OFF. IF MOTOR DOES NOT COME TO AN IMMEDIATE STOP WHEN THE MOTOR/BLADE CONTROL HANDLE IS RELEASED, CONTACT AN AUTHORIZED SERVICE LOCATION.

- Disconnect the power source to prevent accidental starting while equipment is unattended.



WARNING: IF YOU STRIKE A FOREIGN OBJECT, STOP THE MOTOR. DISCONNECT THE POWER SOURCE, THOROUGHLY INSPECT THE MOWER FOR ANY DAMAGE, AND REPAIR THE DAMAGE BEFORE RESTARTING AND OPERATING THE MOWER. EXTENSIVE VIBRATION OF THE MOWER DURING OPERATION IS AN INDICATION OF DAMAGE. THE UNIT SHOULD BE PROMPTLY INSPECTED AND REPAIRED.

TO START MOTOR AND ENGAGE BLADE

Standing behind the unit, depress starter button on the motor/blade control. Pull motor/blade control handle up against handle. Release starter button.

IMPORTANT: YOUR MOWER IS EQUIPPED WITH A CIRCUIT BREAKER, LOCATED ON THE MOTOR/BLADE CONTROL HOUSING. SEE FIGURE 5. IF THE CIRCUIT BREAKER TRIPS, RESET AS INSTRUCTED IN THE MAINTENANCE SECTION.

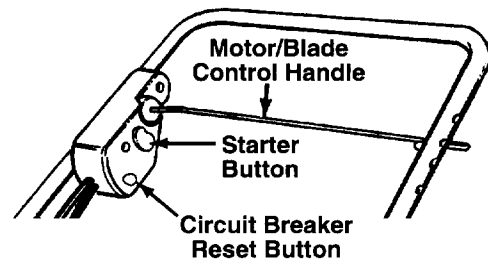


FIGURE 5.

MOTOR/BLADE CONTROL



WARNING: THE MOTOR/BLADE CONTROL ON THIS MOWER IS INSTALLED TO MINIMIZE THE RISK OF BLADE CONTACT INJURY AND IS REQUIRED BY FEDERAL REGULATIONS. DO NOT UNDER ANY CIRCUMSTANCES ATTEMPT TO DEFEAT THE FUNCTION OF THE MOTOR/BLADE CONTROL.

The motor/blade control requires the operator to be behind the handle to start and run the mower. When the operator releases the control handle, the motor will stop and an internal brake helps the blade to stop quickly.

When the operator leaves the operating position to change the cutting height, or pick up sticks or other objects in the way, the motor will stop automatically when the motor/blade control lever is released.

CUTTING HEIGHT ADJUSTMENT



WARNING: TURN OFF MOTOR AND DISCONNECT POWER CORD BEFORE ADJUSTING THE CUTTING HEIGHT.

Each wheel has an adjuster lever to set the cutting height on your mower. They should always be set to the same position.

- Raise wheels for low cut and lower wheels for high cut.
- To change cutting height, move adjuster levers toward wheels. See figure 6. Move wheels up or down to suit your requirements. Be sure all four levers are in the same setting.

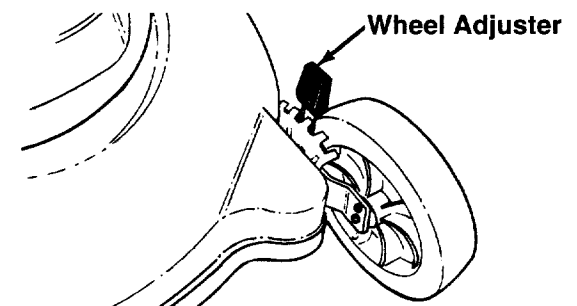


FIGURE 6.

- Adjust cutting height to suit your requirements. Refer to the "Mowing and Mulching Tips" on page 9. (The height adjusters may seem hard to move when new. They will operate easier after some use.)

OPERATION

CORD CONNECTION EXTENSION CORD

IMPORTANT: A 100 FOOT LENGTH OF 14 AWG EXTENSION CORD SHOULD BE USED. AN ACCEPTABLE SUBSTITUTE IS A 50 FOOT LENGTH OF 16 AWG CORD. IN APPLICATIONS WHERE A LONGER CORD IS NEEDED, A 150 FOOT LENGTH OF 12 AWG CORD MAY BE USED. USING ANY OTHER LENGTH OR RATING OF CORD WILL DIMINISH THE PERFORMANCE AND POSSIBLY THE LIFE OF THE ELECTRIC MOTOR. IN ALL CASES, THE EXTENSION CORD SHOULD BE A UL LISTED CORD SET SUITABLE FOR OUTDOOR USE.

- The length of extension cord you will need (not provided with unit) depends on the size of the area to be mowed. See extension cord information above.

CORD RESTRAINT

- Attach extension cord to the cord restraint as follows. Form a small loop in the extension cord. Allow enough excess cord to make the connection to the motor/blade control (approximately 20 inches). Slip the loop through the slot on the bottom of the cord restraint, and up over the tab, to prevent disconnection from the motor/blade control during operation. Leave enough cord to allow the cord restraint to move freely from side to side. See figure 7.

CONNECTION TO THE MOTOR/BLADE CONTROL

- Connect the plug on the extension cord fully onto the plug on the mower. The mower is equipped with a polarized AC power plug (one blade of the plug is wider than the other), which will fit into the plug on the extension cord only one way. If unable to make a full connection, try reversing the plug on the extension cord. Should the plugs still fail to fit, contact your service dealer for assistance. Do not defeat the safety purpose of the polarized plug.

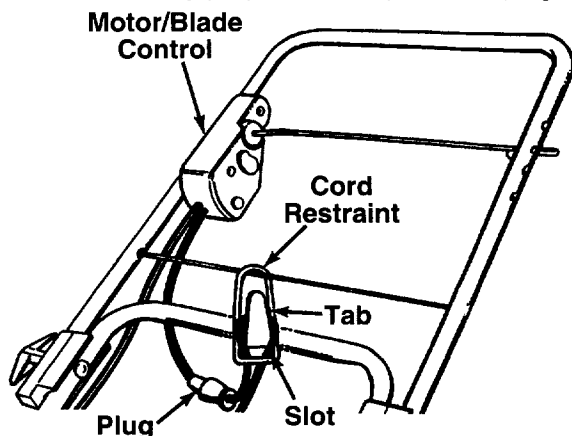


FIGURE 7.

CONNECTION TO THE ELECTRIC POWER SOURCE

- Plug the extension cord into any convenient 110-120 volt 60 cycle A.C. outlet or receptacle for your source of power. This outlet may be located either out-of-doors or indoors. If an inside receptacle is used, the extension cord can be taken out either through the doorway or a window. To avoid blowing fuses, pick an outlet that is not overloaded. Your mower will operate satisfactorily on a circuit that is fused for 15 amperes. Do not use oversize fuses without consulting your power company.

TO CONVERT MULCHER TO SIDE DISCHARGE

- To convert your mower from a mulcher to a side discharge mower, lift the mulching plug. Refer to figure 3. Slide the two hooks on the side discharge deflector under the hinge pin on the mulching plug assembly. Lower the mulching plug.

MOWING AND MULCHING TIPS

Never mow around the lawn in circles. Always travel back and forth across the lawn, beginning at the point nearest the electric outlet where cord is connected. See figure 8. Cut grass moving away from the outlet so the cord lies in the cut portion of the lawn, out of the way. Do not allow extension cord to wrap around trees, shrubs or other obstacles.

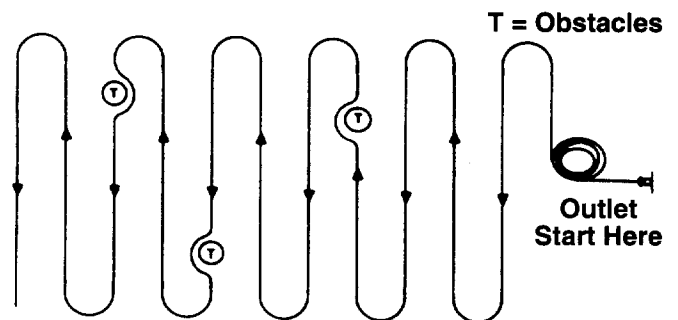


FIGURE 8.

The grass condition at the time of mowing determines the proper mower cutting height setting for best lawn appearance. For a healthy lawn, always cut one-third or less of the total length of the grass at any one cutting.

For extremely heavy cutting, reduce the width of cut.

When mulching under certain conditions, such as very tall grass, it may be necessary to raise the height of cut to reduce pushing effort and to keep from overloading the engine and leaving clumps of grass clippings. Under heavy conditions cross cut for additional mulching of surface debris.

OPERATION

When picking up the extension cord, wind the cord in a series of equal loops on each side of your hand to prevent snarling. See illustration at right.



CUSTOMER RESPONSIBILITIES

GENERAL RECOMMENDATIONS

- Follow the Maintenance Schedule below.



WARNING: BE CERTAIN TO DISCONNECT THE POWER SUPPLY BEFORE PERFORMING ANY REPAIRS OR MAINTENANCE.

MAINTENANCE SCHEDULE

SERVICE RECORD	SCHEDULE		SERVICE DATES					
	Every Use	Every 25 Hours						
Fill in dates as you complete regular service								
Blade Replaced		√						
Lubricate Mower		√						
Cleaning	√							

√ CHECK

LUBRICATION

MOTOR

The motor on your mower does not require lubrication.

WHEELS

DO NOT oil or grease the wheels. Viscous lubricants will attract dust and dirt that will shorten the life of the wheels. If you feel the wheels must be lubricated, use only a dry, silicone type lubricant sparingly.

WHEEL ADJUSTERS

For easy operation, lubricate the wheel adjusters at least once a season with light oil.

MOWER

CIRCUIT BREAKER

The circuit breaker is located on the motor/blade control housing. This breaker may trip when too much strain is placed on the mower. The circuit breaker has been tripped if the mower will not run, and the white part of the reset button projects out of the motor/blade control housing. If this occurs, wait approximately 30 seconds, then depress the reset button. Restart the mower, but be sure to reduce the strain on the mower (i.e., mow at a higher cutting height, slow down, or take a smaller width of cut). If the circuit breaker does

not reset, or if it trips repeatedly under normal cutting conditions, the mower should be examined at an authorized service location.

BLADE CARE

Your mower will work better with a sharp blade.



WARNING: BE CERTAIN TO DISCONNECT THE POWER SUPPLY BEFORE PERFORMING ANY MAINTENANCE.

TO REMOVE BLADE (See Figure 9):

- Turn mower on its side.
- Use a block of wood between blade and mower deck to prevent blade from turning when bolt is removed. Protect your hands with gloves and/or wrap blade with heavy cloth.
- Remove center blade bolt by turning counterclockwise. Use a 9/16" box or open-end wrench.



WARNING: PERIODICALLY INSPECT THE BLADE ADAPTER FOR CRACKS, ESPECIALLY IF YOU STRIKE A FOREIGN OBJECT. REPLACE WHEN NECESSARY.

CUSTOMER RESPONSIBILITIES

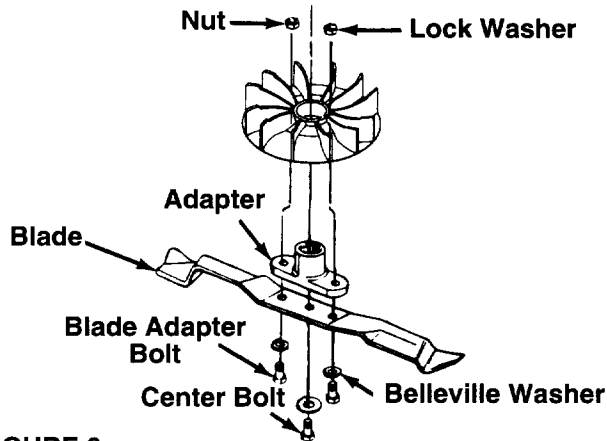


FIGURE 9.

TO REPLACE BLADE (See Figure 9):

- Put blade adapter on motor shaft.
- Fit blade in adapter. Be sure trailing edge of blade is up towards engine.
- Assemble bolts, washers, and nuts in the exact order of removal.
- Use block of wood to hold blade and tighten bolt clockwise. The recommended torque for the center blade bolt is 450-600 in. lbs. The recommended torque for the two blade adapter bolts is 200-300 in. lbs. Torque wrenches are available at most Sears stores and through the catalog.

IMPORTANT: THE BOLT USED TO SECURE THE BLADE TO THE MOTOR SHAFT IS SPECIALLY HEAT-TREATED. DO NOT SUBSTITUTE.



CAUTION: A LOOSE BLADE CAN BE DANGEROUS AND MAY MAKE THE MOTOR HARD TO START.

Use only a Sears authorized replacement blade to get the best cutting results.

TO SHARPEN BLADE

NOTE: We do not recommend sharpening the blade—but if you do, be sure blade is balanced.

- The blade can be sharpened with a file or on a grinding wheel. Do not attempt to sharpen while on the mower.
- Care should be taken to keep the blade balanced. An unbalanced blade will cause excessive vibration when running and eventual damage to mower and motor.
- To check blade balance, drive a nail into a beam or wall. Leave about one inch of straight nail exposed. Place center hole of blade over the head of the nail. If blade is balanced, it should remain in a horizontal position. If either end of the blade moves downward, blade is not balanced. Sharpen the heavy end until the blade is balanced.

CLEANING



WARNING: DISCONNECT POWER SUPPLY BEFORE CLEANING YOUR MOWER.

- Remove any build-up of grass and leaves on or around motor cover. **DO NOT USE WATER.**
- Clean the underside of your mower after each use by turning the mower on its side and scraping to remove any build-up of grass, leaves, dirt or other matter. **DO NOT USE WATER.**
- Occasionally use a dry cloth to wipe mower.

OPTIONAL GRASS BAG

Under normal usage, the grass bag is subject to wear and should be checked periodically. Be certain any replacement bag complies with the mower manufacturer's specifications.

SERVICE AND ADJUSTMENTS

REAR TRAIL SHIELD

The rear trail shield, attached between the rear wheels of your mower, is provided to minimize the possibility that objects will be thrown out the rear of the mower toward the operator. If the shield becomes damaged, it should be replaced.

TO ADJUST CUTTING HEIGHT

Refer to "CUTTING HEIGHT ADJUSTMENT" in Operation section of manual.

TO ADJUST HANDLE HEIGHT

The upper handle may be adjusted to three different height positions. To select desired position, loosen hand knobs, align one of the three marks on the top of the lower handle insulators with the mark on the upper handle insulators. Tighten the hand knobs.

STORAGE

Your mower should be prepared for off-season storage as follows:

MOWER

- Make sure motor/blade control is in OFF (released) position for storage.
- Clean underside of mower housing (See "CLEANING" in Customer Responsibilities section of manual).
- Inspect and replace/sharpen blade, if required (See "BLADE CARE" in Customer Responsibilities section of manual).
- Lubricate as shown in "MAINTENANCE SCHEDULE" (See Customer Responsibilities section of manual).

HANDLE

The handle may be folded away completely for storage.

- Loosen the hand knobs on the sides of the handle, and let the upper handle fold down to the rear.
- Push inward on each side of the lower handle, and lift the sides of the lower handle past the edges of the handle mounting brackets. Fold the lower handle forward.

CAUTION: When folding the handle for storage or transportation, be careful not to bend or kink the power cord.

To return the mower to the operating position, pull up and back on the handle until it locks in position. Tighten the hand knobs which secure the upper and lower handles.

EXTENSION CORD

- Replace extension cord if cut or abraded.
- Extension cord should be wiped dry of any foreign substances such as oil or stains.
- Wind cord and store in cool, dry place (See cord winding instruction on page 10).

OTHER

Do not store your mower under any plastic cover. Plastic cannot breathe which allows condensation to form and causes metal components of mower to rust.

TROUBLE SHOOTING GUIDE

Trouble	Possible Cause(s)	Corrective Action
Does not start	<ol style="list-style-type: none"> 1. Motor/blade control disengaged. 2. Extension cord disconnected. 3. Tripped circuit breaker. 4. Blown fuse or a tripped circuit breaker in electrical circuit. 5. Motor/blade control switch defective. 	<ol style="list-style-type: none"> 1. Engage motor/blade control. 2. Be sure that the extension cord is plugged into the outlet and the lawn mower switch plug. 3. Reset circuit breaker. 4. Check to see if a fuse has been blown or a circuit breaker tripped in your electrical box. 5. Replace motor/blade control switch.
Frequent tripping of circuit breaker or blowing of fuses	<ol style="list-style-type: none"> 1. Cutting too much grass. 2. Circuit overloaded. 	<ol style="list-style-type: none"> 1. Set in "Higher Cut" position, take smaller width of cut, or slow down. 2. Do not use a higher rated fuse without consulting your power company. If condition persists (be sure circuit is not overloaded), have your unit checked by your nearest Authorized Sears Service Dealer.
Loss of power	<ol style="list-style-type: none"> 1. Cutting too much grass. 2. Build-up of grass, leaves and debris under mower. 	<ol style="list-style-type: none"> 1. Set in "Higher Cut" position. 2. Disconnect power cord and clean underside of mower housing.
Poor or uneven cut	<ol style="list-style-type: none"> 1. Worn, bent or loose blade. 2. Build-up of grass, leaves and debris under mower. 	<ol style="list-style-type: none"> 1. Replace blade. Tighten blade nut. 2. Disconnect power cord and clean underside of mower housing.
Too much vibration	<ol style="list-style-type: none"> 1. Worn, bent or loose blade. 2. Bent motor shaft. 	<ol style="list-style-type: none"> 1. Replace blade. Tighten blade nut. 2. Contact Sears Service Department.
Hard to push	<ol style="list-style-type: none"> 1. High grass or cutting height too low. 2. Rear of mower housing and blade dragging in heavy grass. 	<ol style="list-style-type: none"> 1. Raise cutting height. 2. Raise cutting height.

Note: For repairs beyond the minor adjustments listed above, contact your nearest SEARS Service Center.

HOW TO ORDER REPLACEMENT PARTS

Each lawn mower has its own model number.

The model number for your lawn mower will be found on a label attached to the lawn mower near the right rear wheel.

All parts listed herein may be ordered through Sears, Roebuck and Co. Service Centers and most Retail Stores.

WHEN ORDERING REPAIR PARTS, ALWAYS GIVE THE FOLLOWING INFORMATION:

***PRODUCT - "18" Mulching Rotary Mower"**

***MODEL NUMBER - 247.370291**

***PART NUMBER**

***PART DESCRIPTION**

Your Sears merchandise has added value when you consider that Sears has service units nationwide staffed with Sears trained technicians...professional technicians specifically trained on Sears products, having the parts, tools and the equipment to ensure that we meet our pledge to you..."we service what we sell."

IF YOU NEED REPAIR SERVICE OR PARTS:

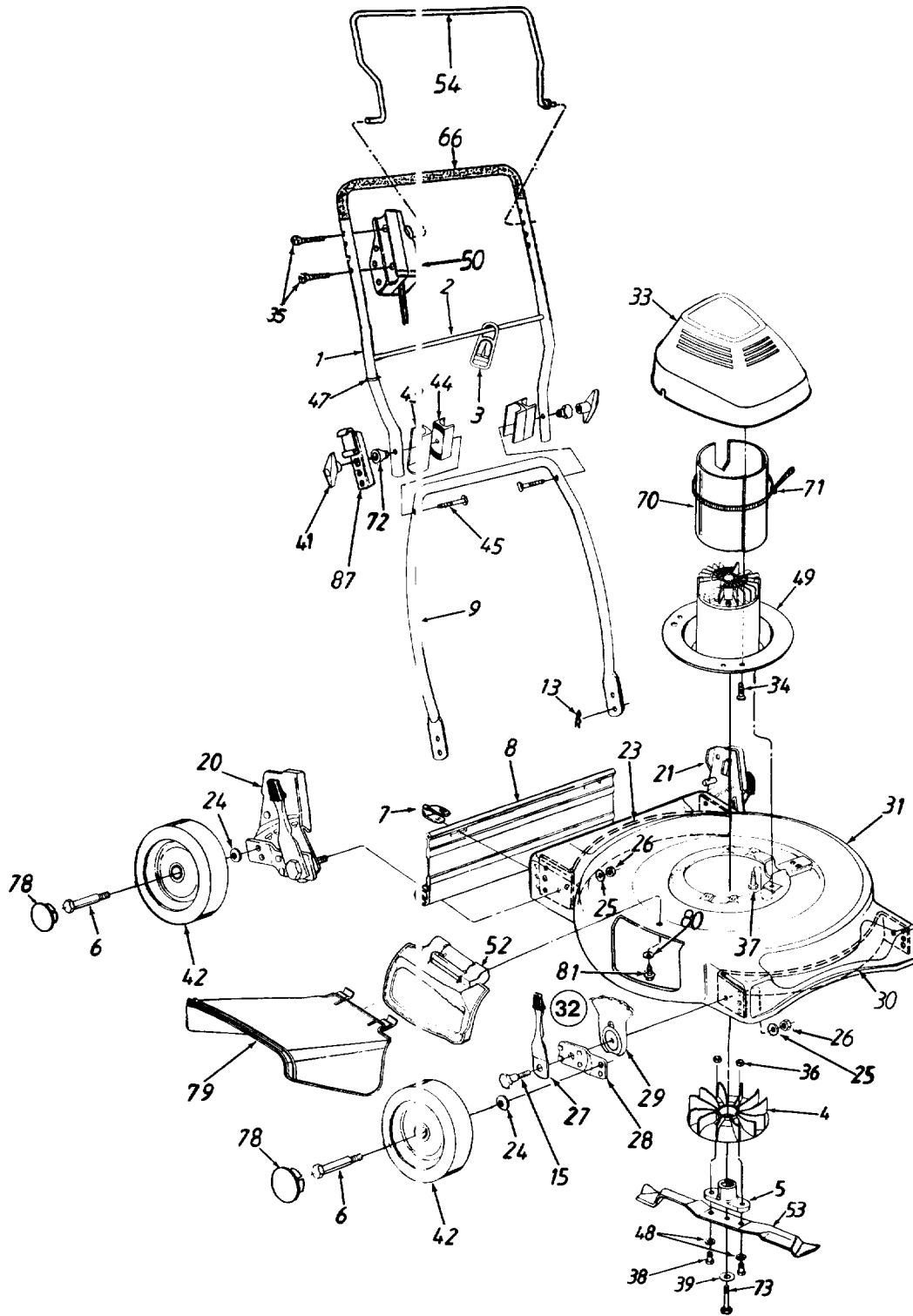
REPAIR SERVICE

**1-800-4-REPAIR
(1-800-473-7247)**

ORDERING PARTS

**1-800-FON-PART
(1-800-366-7278)**

SEARS CRAFTSMAN 18" ELECTRIC MULCHING MOWER MODEL NO. 247.370291
Repair Parts

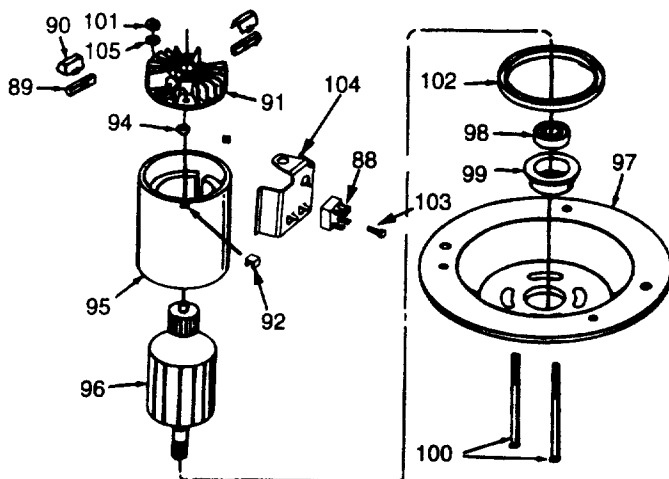


SEARS CRAFTSMAN 18" ELECTRIC MULCHING MOWER MODEL NO. 247.370291

Repair Parts

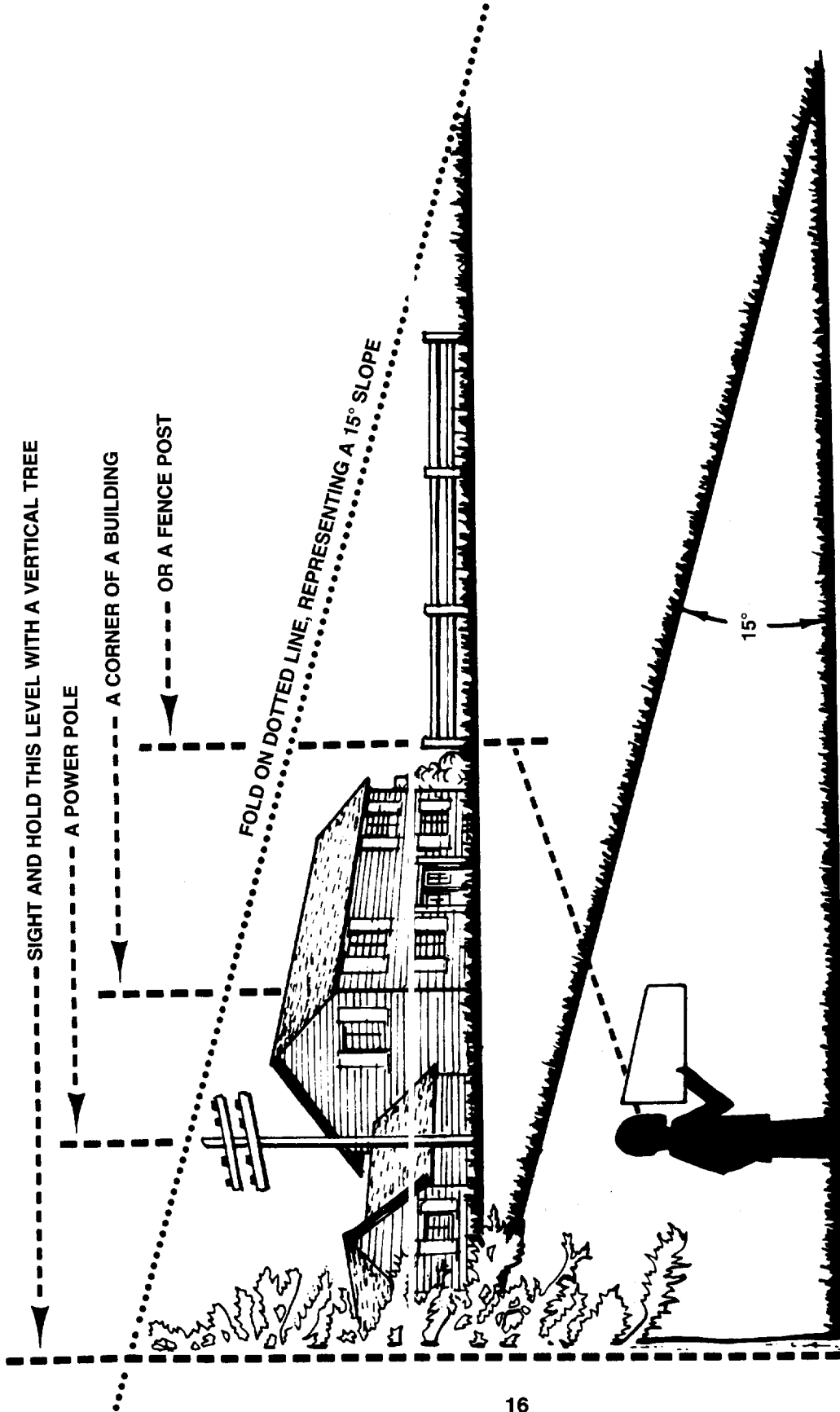
KEY NO.	PART NO.	DESCRIPTION	KEY NO.	PART NO.	DESCRIPTION
1	749-0984	Upper Handle	49	818-60014	Motor, Cord & Switch Ass'y.
2	747-0923	Cord Control Rod	50	625-0018A	Cord & Switch Ass'y. Comp.†
3	725-1590	Strain Relief—Cord		725-1565	Rocker Switch Only†
4	731-1270	Fan		724-0243	Cord Only†
5	748-0356	Blade Adapter	52	682-7002	Mulching Plug
6	738-0102	Axle Bolt	53	742-0718	18" Blade
7	17098	Hinge Clip	54	747-0622	Control Handle
8	731-1028	Rear Flap	66	720-0226	Foam Grip
9	749-0882	Lower Handle	70	721-0311	Insulator
13	714-0104	Hairpin Clip	71	726-0209	Cable Tie
15	738-0507B	Shld. Bolt .5" Dia. x .434"	72	731-1388	Insulator Knob
20	682-3024	Handle Brkt. Ass'y.—R.H.	73	710-1251	Hex Bolt 3/8-24 x 2.5" Lg.
21	682-3025	Handle Brkt. Ass'y.—L.H.	78	720-0258	Hub Cap
23	782-5017	Rear Baffle	79	731-1409	Chute Deflector
24	736-0105	Bell-Wash. .38" I.D. x .88" O.D.	80	736-0270	Bell-Wash. 1/4" I.D.
25	736-0356	Bell-Wash. .39" I.D. x 1.38" O.D.	81	710-0599	Hex Wash. Hd. TT-Tap Scr. 1/4-20 x .5" Lg.
26	712-0798	Hex Nut 3/8-16 Thd.*			
27	14832	Spring Lever Ass'y. w/Knob	87	782-7007	Grass Catcher Bracket
28	15262B	Pivot Bar	88	725-1631	Rectifier†
29	15261A	Height Adj. Plate	89	624-0031	Brush and Liner Ass'y.†
30	782-5018	Front Baffle	90	724-0200	Brush Holder Cap†
31	682-0018	18" Deck Ass'y.	91	624-0070	End Shield Ass'y. w/Plug (Incl. Ref. 70 & 71)†
32	14578	Height Adj. Ass'y. Comp.—R.H.	92	721-0305	Insulator Wire (Output)†
	14579	Height Adj. Ass'y. Comp.—L.H. (Not Shown)	94	741-0875	Needle Bearing†
33	731-1264	Motor Cover	95	—	Not a Serviceable Part— Order Ref. 49
34	710-3009	Scr. #10-24 x .75" Lg.			
35	710-0605	C-Sunk Scr. 1/4-20 x 1.8" Lg.	96	624-0029	Armature Ass'y.†
36	712-0241	Hex Nut 3/8-24 Thd.	97	724-0194	Motor End Plate†
37	710-0694A	Hex TT-Tap Scr. 3/8-16 x 1" Lg.	98	741-0124	Ball Bearing†
38	710-0191	Hex Bolt 3/8-24 x 1.25" Lg.	99	748-0348	Bearing Adapter†
39	736-0452	Bell-Wash. .396" I.D. x 1.14"	100	710-1176	Carriage Bolt†
41	720-0241	Plastic Knob	101	712-0324	Hex L-Nut 1/4-20 Thd.†
42	734-1699	Wheel Ass'y. Comp.	102	721-0306	Motor Hsg. Insulator†
43	731-1268	Upper Handle Insulator	103	710-0436	Hex Tap Scr. #10-16 x .62" Lg.†
44	731-1267	Lower Handle Insulator	104	782-5016	Brkt.—Rectifier/Heat Sink†
45	710-0450	Carriage Bolt 5/16-18 x 3" Lg.	105	736-3090	Fl-Wash. .26" I.D. x .72" O.D.†
47	726-0240	Cable Tie	—	770-0254L	Owner's Manual
48	736-0331	Bell-Wash. 3/8" I.D.			

*Common Hardware—May be purchased locally.
†Part of Motor, Switch & Cord Ass'y. Comp. (Ref. 49)



USE THIS PAGE AS A GUIDE TO DETERMINE SLOPES WHERE YOU MAY NOT OPERATE SAFELY.

SLOPE GAUGE



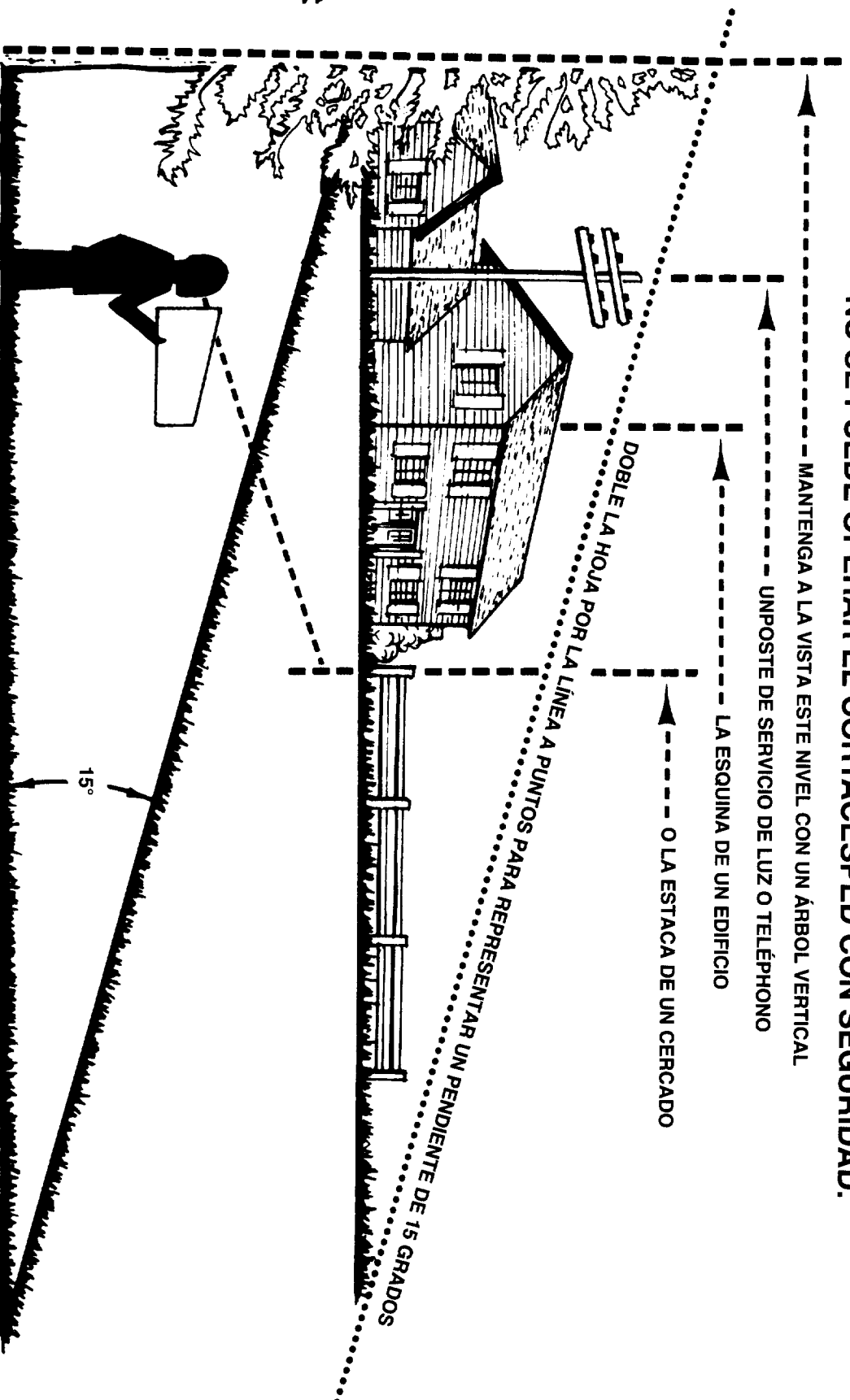
Do not mow on inclines with a slope in excess of 15 degrees (a rise of approximately 2-1/2 feet every 10 feet). A riding mower could overturn and cause serious injury. If operating a walk-behind mower on such a slope, it is extremely difficult to maintain your footing and you could slip, resulting in serious injury.

Operate RIDING mowers up and down slopes, never across the face of slopes.

Operate WALK-BEHIND mowers across the face of slopes, never up and down slopes.



USE ESTA PÁGINA COMO GUÍA PARA DETERMINAR LOS PENDIENTES EN DONDE NO SE PUEDE OPERAR EL CORTACÉSPED CON SEGURIDAD.



MEDIDOR DE PENDIENTES



No opere la máquina en terrenos con pendiente en exceso de 15 grados (una elevación de 2-1/2 pies a cada 10 pies de distancia). Un cortacésped de montar se puede volcar, resultando en lesiones serias para el operador. Si empuja un cortacésped de operación manual en tal terreno, es muy difícil evitar resbalones que también pueden resultar en lesiones serias.

Los cortacéspedes de montar se deben manejar para arriba y para abajo de los terrenos con pendiente. Nunca se deben manejar lateralmente.

Los cortacéspedes de operación manual se deben manejar lateralmente en terrenos con pendiente. Nunca se deben manejar para arriba o para abajo.

GUIA PARA RESOLUCION DE PROBLEMAS

Problema	Causa(s) Posible(s)	Acción Correctiva
El motor no arranca	<ul style="list-style-type: none"> • Palanca de control de cuchilla desacoplada • Cable de extensión desconectado • Cortocircuito disparado • Fusible quemado o un cortocircuito disparado en el circuito eléctrico • Interruptor del control del motor/cuchilla defectuoso 	<ul style="list-style-type: none"> • Acople la palanca de control conectado al toma de corriente y el interruptor del cortacésped conectado. • Reconecte el cortacircuitos. • Revise a ver si un fusible ha sido quemado o un cortocircuito disparado en su caja de conducto. • Reemplace el interruptor del control del motor/cuchilla.
Disparo frecuente del cortocircuito o fusibles fundidos	<ul style="list-style-type: none"> • Esta cortando demasiado césped. • Circuito recargado. 	<ul style="list-style-type: none"> • Coloque en la posición "Corte Más Alto" (Higher Cut), corte franjas más angostas o haga lo mas despacio. • No use un fusible de mayor potencia sin antes consultar con su compañía de electricidad. Si la condición persiste (asegúrese de que el circuito no este recargado) lleve su unidad para que la inspeccionen en un Centro de Servicio Sears más cercano.
Pérdida de energía	<ul style="list-style-type: none"> • Esta cortando demasiado césped. • Residuos de césped, hojas debajo del cortacésped. 	<ul style="list-style-type: none"> • Coloque en la posición "Corte Más Alto". • Desconecte el cable eléctrico y limpie por debajo de la caja del cortacésped.
Corta el césped de manera desigual	<ul style="list-style-type: none"> • Cuchilla desgastada, doblada. • Residuos de césped, hojas debajo del cortacésped. 	<ul style="list-style-type: none"> • Reemplace la cuchilla. Apriete la tuerca de la cuchilla. • Desconecte el cable eléctrico y limpie por debajo de la caja del cortacésped.
Vibración Excesiva	<ul style="list-style-type: none"> • Cuchilla suelta o desequilibrada • Cigüeñal doblado 	<ul style="list-style-type: none"> • Reemplace la cuchilla. Apriete la tuerca. • Llame a su Centro de Servicio Sears
Difícil de empujar	<ul style="list-style-type: none"> • Césped alto o altura de corte demasiado baja. • La parte trasera de la caja del cortacésped y la cuchilla rastreado en el césped pesado. 	<ul style="list-style-type: none"> • Levante la altura de corte. • Levante la altura de corte.

Nota: Para reparaciones aparte de estos pequeños ajustes, póngase en contacto con su Centro de Servicio Sears más cercano.

COMO ORDENAR PIEZAS DE REPUESTO

Cada cortacésped tiene su número propio de modelo. Cada motor tiene su número propio de modelo. El número de modelo para su cortacésped se encuentra en un rótulo pegado al marco. Todas las piezas listadas aquí pueden ordenarse de los Centros de Servicio de Sears Roebuck and Co. y en la mayoría de las tiendas al por menor. CUANDO ORDENE PIEZAS DE REPUESTO SIEMPRE PROPORCIONE LA INFORMACION SIGUIENTE:

- PRODUCTO - "CORTACÉSPED DE ELECTRICO"
- NUMERO DE MODELO - 247.370291
- NUMERO DE PIEZA
- DESCRIPCION DE LA PIEZA

Su mercadería de Sears tiene un valor agregado cuando usted considera que Sears tiene unidades de servicio en todo el país con personal técnico entrenado de Sears...

SERVICIO DE REPARACIÓN
1-800-411EPAIR
1-800-473-7247

PARA ORDENAR PARTES
1-800-FCN PART
1-800-363-7278

SI NECESITA SERVICIO DE REPARACIÓN O PARTES:

técnicos profesionales entrenados específicamente en los productos de Sears, teniendo las piezas, herramientas y el equipo para asegurar que cumplamos con nuestra promesa a usted. "servimos lo que vendemos." Para las piezas de repuesto, vea el reverso del manual. Las listas de las piezas comienzan en la página 14.

RESPONSABILIDADES DEL PROPIETARIO

LIMPIEZA



ADVERTENCIA: DESCONECTE LA FUENTE DE ENERGÍA ANTES DE LIMPIAR SU CORTACESPED.

- Quite cualquier residuo de hojas o césped encima o alrededor de la cubierta del motor. NO USE AGUA.
- Limpie la superficie inferior del cortacésped después de cada uso para remover residuos de césped, hojas, tierra u otras cosas. NO USE AGUA.

COLECTOR DE CÉSPED (Discrecional)
Bajo uso normal, la bolsa es sometida al desgaste y se debe revisar con frecuencia. Asegúrese de que cualquier bolsa de repuesto cumpla con las especificaciones del fabricante del cortacésped.

- De vez en cuando use una toalla seca para limpiar el cortacésped.

MANTENIMIENTO Y AJUSTES

RESGUARDO TRASERO

El resguardo trasero que se encuentra entre las ruedas traseras de su cortacésped se proporciona para minimizar la posibilidad de que objetos salgan volando por detrás de la máquina hacia el operador. Si el resguardo se daña, se debe reemplazar.

PARA AJUSTAR LA ALTURA DE CORTE
Vea en la sección de operación del manual "AJUSTE DE LA ALTURA DE CORTE".

PARA AJUSTAR LA ALTURA DEL MANGO

La palanca superior se puede ajustar a tres posiciones diferentes. Para seleccionar la altura deseada, atíjelo las perillas manuales, y alinee una de las tres marcas en la parte superior de los aisladores del mango inferior con la marca en los aisladores del mango superior. Apriete las perillas de mano.

CORTACESPED

- Asegúrese de que el control del motor/cuchilla se encuentre en la posición OFF (apagado) para el almacenamiento.
 - Limpie el lado inferior de la caja del cortacésped (Vea "LIMPIEZA" en la sección "Responsabilidades del Propietario" del manual).
 - Inspeccione y reemplace/atíle la cuchilla si es necesario (Vea "CUIDADO DE LA CUCHILLA" en la sección "Responsabilidades del Propietario" del manual).
 - Lubrique como se demuestra en "HORARIO DE MANTENIMIENTO" (Vea la sección "Responsabilidades del Propietario" de este manual).
- El mango se puede doblar completamente para el almacenamiento.

MANGO

No almacene su cortacésped bajo ninguna cubierta de plástico. El plástico no deja respirar bien lo que permite que se forme condensación y esto causa que los componentes de metal de la máquina se herrumbren.

OTRA INFORMACION

- Reemplace el cable de extensión si esta cortado o desgastado.
- El cable se debe limpiar y mantener libre de aceite o manchas.
- Enrolle el cable y almacénelo en un sitio fresco y seco (Vea la instrucción de como enrollar el cable en la página 10).

CABLE DE EXTENSION

Para volver el cortacésped a la posición de operación, tire hacia arriba y hacia atrás el mango hasta que cierre en posición. Apriete las perillas de mano que fijan los mangos superior e inferior.

PRECAUCION: Al doblar el mango para el almacenaje o transporte, asegúrese de no doblar o enredar el cable eléctrico.

ALMACENAMIENTO

RESPONSABILIDADES DEL PROPIETARIO

LUBRICACION MOTOR

El motor de su cortacésped no requiere lubricación.

RUEDAS

NO aceite ni engrase las ruedas. Varios lubricantes atraerán polvo y suciedad que acortarán la duración de las ruedas. Si considera prescindible lubricar las ruedas, use solamente un lubricante seco de silicón de vez en cuando.

AJUSTES DE LAS RUEDAS

Para la fácil operación, lubrique los ajustes de las ruedas por lo menos una vez cada estación con aceite ligero.

CORTACÉSPED CORTACIRCITOS

El cortacircitos está situado en la caja del control del motor/cuchilla. Este interruptor puede disparar cuando el cortacésped está bajo demasiado esfuerzo. Si

juste se sale de la caja del control del motor/cuchilla, ha sido disparado y la parte blanca del botón de re-juste se sale de la caja del control del motor/cuchilla. Si esto ocurriera, espere aproximadamente 30 segundos y baje el botón de reajuste. Vuelva a encender el cortacésped, pero asegúrese de reducir la carga del cortacésped (ej.: corte con una altura de corte más alta, corte en líneas más angostas). Si el cortacircitos no se activa, o si se dispara con frecuencia bajo condiciones de corte normales, esta máquina debe ser examinada por un centro de servicio autorizado.

CUIDADO DE LA CUCHILLA

Su cortacésped funcionará mejor con la cuchilla filosa.

ADVERTENCIA: ASEGURESE DE DESCONECTAR LA FUENTE DE ENERGIA ANTES DE DARLE MANTENIMIENTO.



PARA QUITAR LA CUCHILLA (Vea figura 9):

- Vuelva el cortacésped de lado. Asegúrese de que el depurador de aire y el carburador estén arriba.
- Use un bloque de madera entre la cuchilla y la plataforma del cortacésped para evitar que la cuchilla gire al quitar el perno. Proteja sus manos con guantes y/o envuelva la cuchilla en una manta gruesa.
- Quite el perno de la cuchilla girando hacia la izquierda. Use una llave de 9/16".

ADVERTENCIA: INSPECCION PERIODICAMENTE EL ADAPTADOR DE CUCHILLA PARA VER SI ESTA AGRIBADO, ESPECIALMENTE SI HA GOLPEADO ALGUN OBJETO. REEMPLACE CUANDO SEA NECESARIO.



PARA REEMPLAZAR LA CUCHILLA (Vea figura 9):

- Ponga el adaptador de la cuchilla en el cigüeñal del motor.
- Coloque la cuchilla en el adaptador. Asegúrese de que el borde de salida de la cuchilla se dirija hacia el motor.
- Coloque los pernos, arandelas y tuercas en el mismo orden en que las quitó.
- Use el bloque de madera para sostener la cuchilla y apretar el perno hacia la derecha. El momento de torsión recomendado para el centro es de 450-600 pulgadas/libras. El momento de torsión para los pernos del adaptador de la cuchilla es de 200-300 pulgadas libras. Las llaves de torsión son disponibles en la mayoría de los Centros Sears y a través del catálogo.

IMPORTANTE: EL PERNO UTILIZADO PARA FIJAR LA CUCHILLA AL MOTOR ES ESPECIALMENTE TRATADO CON CALOR. NO LO SUSTITUYA. PRECAUCION: UNA CUCHILLA SUELTA PUEDE SER PELIGROSA Y PUEDE DIFICULTAR EL ARRANQUE DEL MOTOR.

Reempícela solamente con una cuchilla autorizada Sears para obtener los mejores resultados.

PARA AFILAR LA CUCHILLA

- NOTA: No recomendamos afilar la cuchilla - pero si lo hace, asegúrese de que la cuchilla este equilibrada. Se puede afilar con una lima o en una rueda de amolte. No trate de afilarla mientras este en el cortacésped.
- Se debe tener cuidado para mantener la cuchilla equilibrada. Una cuchilla desequilibrada causará demasiada vibración al funcionar y eventualmente dañará el cortacésped y el motor.
- Para revisar el equilibrio de la cuchilla, clave un clavo en una viga o pared. Deje aproximadamente una pulgada del clavo expuesta. Coloque el agujero central de la cuchilla sobre la cabeza del clavo. Si la cuchilla esta equilibrada, debe permanecer en la posición horizontal. Si cualquier lado de la cuchilla de dirige hacia abajo, la cuchilla no esta equilibrada. Afíle el lado grueso hasta que la cuchilla se equilibre.

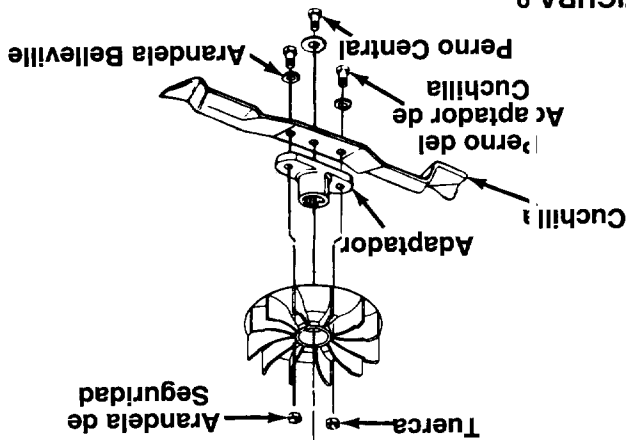


FIGURA 9.

OPERACIÓN

La condición del césped a la hora del corte determina la altura de corte adecuada para mejor apariencia. Para un césped saludable, siempre corte 1/3 parte o menos de la longitud total.

Para corte demasiado grueso, reduzca el ancho del corte.

Al triturar bajo ciertas circunstancias, como por ejemplo si el césped es demasiado alto, es posible que tenga que levantar la altura de corte para reducir el esfuerzo de corte y evitar que el motor se recargue y no dejar el césped cortado en grupos. Bajo condiciones pesadas corte en cruce para la trituración adicional.

Al levantar el cable de extensión, enrrolle el cable en una serie de lazos iguales en cada lado de su mano para prevenir que se enrede. Vea la ilustración a la derecha.

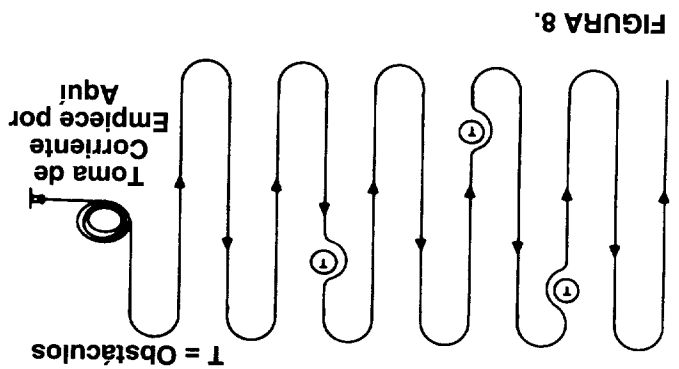


FIGURA 8.

RESPONSABILIDADES DEL PROPIETARIO

RECOMENDACIONES GENERALES

- Siga el siguiente Horario de Mantenimiento.



ADVERTENCIA: ASEGURESE DE DESCONECTAR LA FUENTE DE ENERGIA ANTES DE EJERCER REPARACIONES O MANTENIMIENTO.

MANTENIMIENTO HORARIO

CONTROL DE MANTENIMIENTO		HORARIO		FECHAS DE MANTENIMIENTO					
Llene las fechas en las que realizó el mantenimiento regular		Cada 25 Horas	Uso						
Cambio de la Cuchilla				✓					
Lubricar el Cortacésped		✓							
Limpieza		✓							

✓ Marque

● Conecte el enchufe del cable de extensión completo al enchufe del cortacésped. El cortacésped tiene un enchufe polarizado AC (una cuchilla es más grande que la otra) que calzará en el enchufe del cable de extensión solamente de una manera. No lo puede conectar, dele media vuelta al enchufe del cable de extensión y vuelva a intentarlo. Si aun de esta manera no calzan, llame a su centro de servicio. No trate de alterar el accesorio de seguridad del enchufe polarizado.

● Una el cable de extensión a la sujeción del cable de extensión. Haga un lazo en el cable de extensión. Deje suficiente cable para hacer la conexión al control del motor/cuchilla (aproximadamente 20 pulgadas). Deslice el lazo a través de la hendidura en la parte inferior de la sujeción y sobre la lengüeta, para prevenir la desconexión del control del motor/cuchilla durante la operación. Deje suficiente cable para permitir que la sujeción del cable se mueva libremente de lado a lado. Vea la figura 7.

CONEXION DEL CABLE

● La longitud del cable que necesitará (no proporcionado con la unidad) depende del área que vaya a cortar. Vea la información sobre el cable anterior.

CONEXION AL CONTROL DEL MOTOR/CUCHILLA

● Ajuste la altura de corte de acuerdo a sus necesidades. Vea la sección "Consejos de Corte y Trituración" en esta página. (Los ajustes de altura cuando son nuevos pueden ser difíciles de mover. Funcionaran mejor después de ser usados.)

CONEXION DEL CABLE CABLE DE EXTENSION

IMPORTANTE: SE DEBE USAR UN CABLE DE 100' DE LONGITUD DE 14 AWG. ESTE SE PUEDE SUSTITUIR POR CABLE DE 50' DE LONGITUD DE 16 AWG. PARA APLICACIONES EN LAS QUE SE NECESITA CABLE MAS LARGO, SE PUEDE USAR UN CABLE DE 150' DE LONGITUD DE 12 AWG. EL USO DE UN CABLE DE OTRO TAMAÑO O GRADO DISMINUIRA EL FUNCIONAMIENTO Y POSIBLEMENTE LA DURACION DEL MOTOR ELECTRICO. EN TODOS LOS CASOS, EL CABLE DE EXTENSION DEBE SER UN ADECUADO PARA EL USO AL AIRE LIBRE.

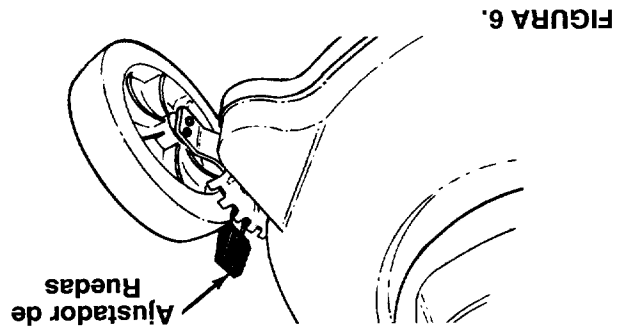


FIGURA 6.

CONSEJOS DE CORTE Y TRITURACION

Nunca corte el césped en círculos. Siempre vaya de un lado hacia otro, empezando en el punto más cercano al toma de corriente al cual esta conectada la máquina. Vea la figura 8. Corte el césped alejándose de cable de manera que vaya quedando en el área ya cortada, lejos. No permita que el cable de extensión se enrolle en árboles, arboles y otros obstáculos.

● Para convertir su cortacésped de un triturador a un cortacésped con descarga lateral, levante el tapadero del triturador. Vea la figura 5. Deslice los dos ganchos en el deflector de descarga lateral debajo del pasador de bisagra en el conjunto del triturador de desperdicios de césped. Baje el tapadero del triturador de desperdicios de césped.

PARA CONVERTIR EL TRITURADOR A UN CORTACESPED CON DESCARGA LATERAL

● Conecte el cable de extensión a cualquier toma de corriente o receptáculo de 110-120 voltios ciclo 60 A.C. Este toma de corriente puede estar dentro o afuera. Si se usa un receptáculo adentro, el cable de extensión se puede sacar ya sea por una puerta o ventana. Para evitar fundir los fusibles, escoja un toma de corriente que no este recargado. Su cortacésped funcionará bien en un circuito que sea para 5 amperios. No use fusibles demasiado grandes sin antes consultar con su compañía de electricidad.

CONEXION A LA FUENTE DE ELECTRICIDAD

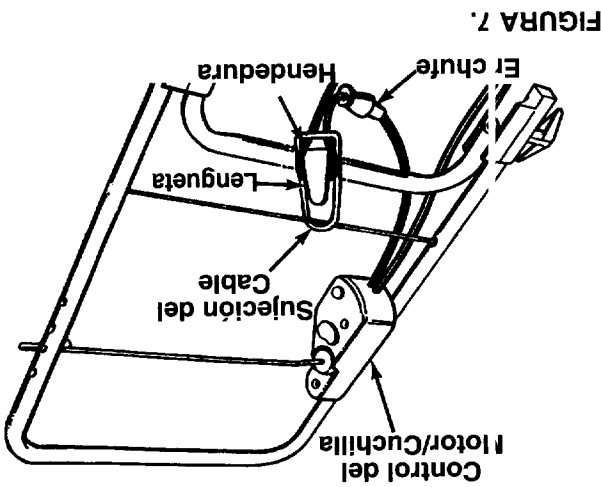


FIGURA 7.

OPERACIÓN

COMO UTILIZAR SU CORTACÉSPED

IMPORTANTE: SU CORTACÉSPED TIENE UN CORTACIRCUITOS, SITUADO EN LA CAJA DEL CONTROL DEL MOTOR/CUCHILLA. VEA LA FIGURA 5. SI EL CORTACIRCUITOS SE DISPARA, REAJUSTE COMO SE INDICA EN LA SECCION DE MANTENIMIENTO.

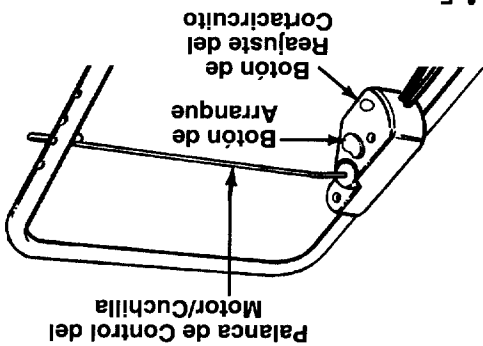


FIGURA 5.

CONTROL DEL MOTOR/CUCHILLA

ADVERTENCIA: EL CONTROL DEL MOTOR/CUCHILLA EN ESTE CORTACÉSPED SE INSTALA PARA MINIMIZAR EL RIESGO DE CONTACTO CON LA CUCHILLA TAL COMO ES REQUERIDO POR LAS REGLAS FEDERALES. NO TRATE DE CAMBIAR BAJO NINGUNA CIRCUNSTANCIA LA FUNCION DEL CONTROL DEL MOTOR/CUCHILLA.

El control del motor/cuchilla requiere que el operador se encuentre detrás del mango para arrancar y usar el cortacésped. Cuando el operador suelta la palanca de control, el motor se detiene y un freno interno ayuda a que la cuchilla se detenga rápidamente. Cuando el operador deja la posición de operación para quitar el colector de césped, cambiar la altura de corte o para recoger objetos, el motor se detendrá automáticamente cuando la palanca de control del motor/cuchilla se suelta.

AJUSTE DE LA ALTURA DE CORTE

Cada rueda tiene una palanca de ajuste para fijar la altura de corte de su cortacésped. Siempre deben de estar fijadas en la misma posición.

- Levante las ruedas para corte bajo y ruedas bajas para corte alto.
- Para cambiar la altura de corte, mueva las palancas de ajuste hacia las ruedas. Vea la figura 6. Mueva las ruedas hacia arriba o hacia abajo como sea necesario. Asegúrese de que todas las palancas se encuentren en el mismo nivel.

ADVERTENCIA: APAQUE EL MOTOR Y DESCONECTE EL CABLE ELECTRICO ANTES DE EFECTUAR EL AJUSTE.

ADVERTENCIA: NO OPERE EL CORTACÉSPED SIN LA PROTECCION EN LA PARTE TRASERA DE LA PLATAFORMA.

ADVERTENCIA: ASEGURESE DE QUE NO HAYAN PIEDRAS, RAMAS, CABLES U OTROS OBJETOS QUE PUEDEN DAÑAR EL CORTACÉSPED O EL MOTOR. TALES OBJETOS PUEDEN SER ACCIDENTALMENTE ARROJADOS POR EL CORTACÉSPED EN CUALQUIER DIRECCION Y CAUSAR SERIAS LESIONES AL OPERADOR Y A OTROS.

ADVERTENCIA: PARA PREVENIR EL CHOQUE ELECTRICO, NO OPERE EL CORTACÉSPED EN SITIOS HUMEDOS.

PARA PARAR EL MOTOR Y LA CUCHILLA

- Suelte la palanca de control del motor/cuchilla para parar el motor. (Escuchará un ruido alto, siendo el resultado de deceleración del motor eléctrico. Chispas encima del motor, dentro de la cubierta del motor, también es normal durante la deceleración.)

ADVERTENCIA: LA CUCHILLA CONTINUA GIRANDO POR UNOS SEGUNDOS DESPUES DE APAGAR EL MOTOR. SI EL MOTOR NO PARA INMEDIATAMENTE CUANDO EL DE CONTROL DEL MOTOR/CUCHILLA SE SUELTA, LLAME A UN CENTRO DE SERVICIO AUTORIZADO.

- Desconecte la fuente de energía para prevenir arranque accidental mientras el equipo este solo.

ADVERTENCIA: SI USTED GOLPEA ALGUN OBJETO, PARE EL MOTOR, DESCONECTE LA FUENTE DE ENERGIA E INSPECCIONE BIEN EL CORTACÉSPED A VER SI HAY DAÑOS Y REPARADER Y OPERAR LA MAQUINA. LA VIBRACION EXCESIVA DURANTE LA OPERACION EN UNA SENAL DE DAÑO. LA UNIDAD SE DEBE INSPECCIONAR Y REPARAR INMEDIATAMENTE.

PARA ENCENDER EL MOTOR Y ENGANCHAR LA CUCHILLA

Colocado detrás de la unidad, incline el botón de arranque en la palanca de control del motor/cuchilla. Tire la palanca de control hacia arriba contra el mango. Suelte el botón de arranque.

OPERACIÓN

CONOZCA SU CORTACÉSPED

LEA ESTE MANUAL Y LAS NORMAS DE SEGURIDAD ANTES DE PONER SU MÁQUINA EN FUNCIONAMIENTO. Compare las ilustraciones con su cortacésped para familiarizarse con la localización de varios controles y ajustes. Guarde este manual para futuro uso.

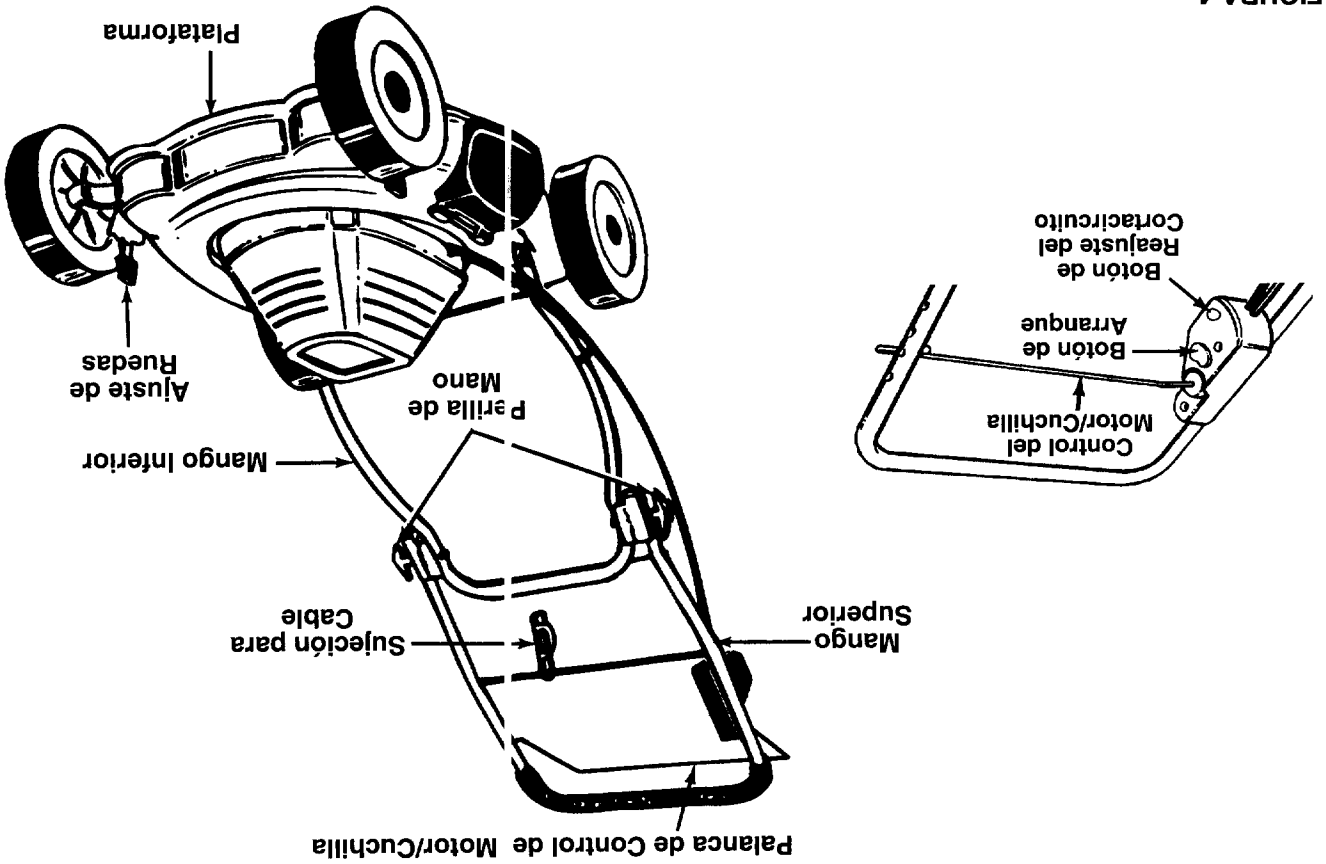


FIGURA 4.

CUMPLE CON LOS REQUISITOS DE SEGURIDAD DE CUCHILLAS CPSC

Los Cortacésped Sears "Camina-Detrás" cumplen con los requisitos de seguridad del American National Standards Institute, Underwriters Laboratories, Inc. y la U.S. Consumer Product Safety Commission. La cuchilla gira cuando el motor está encendido.

CONTROL DEL MOTOR/CUCHILLA - consiste de dos partes, la palanca de control del motor/cuchilla y el botón de arranque.
Palanca de control del motor/cuchilla - debe de mantenerse contra el mango para poder encender y funcionar el motor y la cuchilla.
Botón de Arranque - debe ser inclinado para poder enganchar la palanca de control del motor/cuchilla.

SUJECION DEL CABLE - ayuda a prevenir que el cable de extensión del control del motor/cuchilla se desconecte.
BOTON DE REAJUSTE DEL CORTACIRCUITO - usado para reajustar el cortacircuitos (el cortacircuitos previene que la máquina sea sometida a demasiada fuerza).

ANTES DE USAR SU CORTACÉSPED, DE NUEVO HAGA REFERENCIA A LAS "NORMAS DE SEGURIDAD" DE LA PAGINA 2 DE ESTE MANUAL. TENGA SIEMPRE CUIDADO.



La operación de cualquier cortacésped puede hacer que objetos salgan volando y que sean tirados a los ojos, lo que puede resultar en daño severo. Siempre use gafas de seguridad o resguardo antes de encender cualquier herramienta o mientras que este haciendo ajustes o reparaciones. Recomendamos la Máscara Ancha Protectora sobre gafas o anteojos de seguridad disponibles a través de Sears.

ENSAMBLAJE

NOTA: Se puede ver el lado derecho o izquierdo del cortacésped desde la posición de operación.

PARA SACAR LA MÁQUINA DE LA CAJA

Quite el material añadido de empaque (si lo hay). Saque el cortacésped del cartón o corte los cuatro lados del cartón. Asegúrese de sacar todas las piezas e información del cartón antes de botar la caja.

NOTA: Mantenga el soporte del colector de césped en un lugar seguro. Si usted compra el colector de césped opcional, monte el soporte en el lado derecho de la palanca superior tal como se demuestra en la página 14 de este manual, llave 10.

COMO MONTAR SU CORTACÉSPED

- Quite cualquier pieza de cartón de empaque que puede estar entre los mangos.

- Tire hacia arriba y atrás el mango inferior. Pivote el mango superior hacia arriba para levantarlo a la posición de operación. Vea la figura 1.

- El mango superior se puede ajustar a tres diferentes posiciones de altura. Para seleccionar la altura deseada, alinee una de las tres marcas en la parte de arriba de los aisladores del mango inferior con la marca en los aisladores del mango superior. Apriete los botones de mano.

- Quite las prensas del agujero exterior en los pasadores soldados en los soportes del mango. Coloque la prensa en el agujero interno.

NOTA: El agujero exterior en el pasador soldado es para el almacenaje. La prensa debe colocarse en el agujero interno para la operación.

- Asegúrese de que todos los pernos y tuercas estén bien apretados.

- Asegúrese de que todos los pernos y tuercas estén apretados. También, asegúrese de volver a conectar el cable de bujía antes de encender el cortacésped.

Su cortacésped ha sido enviado como un cortador. Para descargar el césped al lado, preceda de la siguiente manera:

- Para convertir su cortacésped de un triturador continuo a un cortacésped con descarga lateral, levante el tapadero del triturador. Vea la figura 5. Deslice los dos ganchos en el deflector de descarga lateral debajo del pasador de bisagra en el cortacésped. Baje el tapadero del triturador de desperdicios de césped.

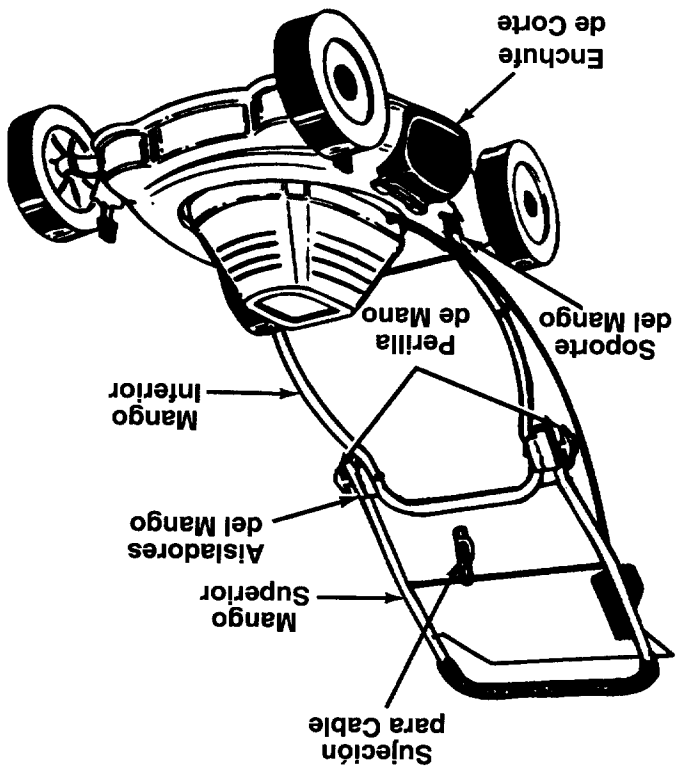


FIGURA 1.

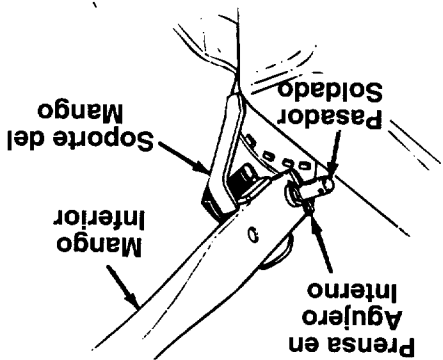


FIGURA 2.

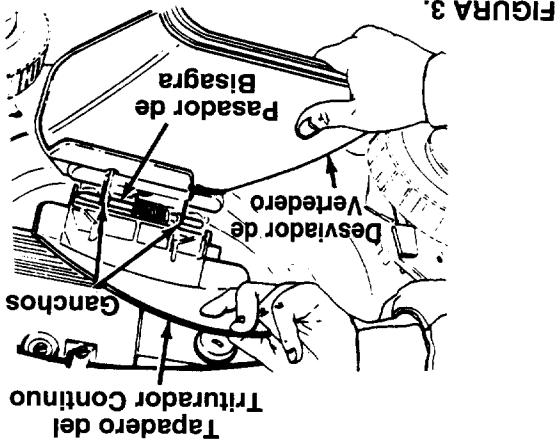
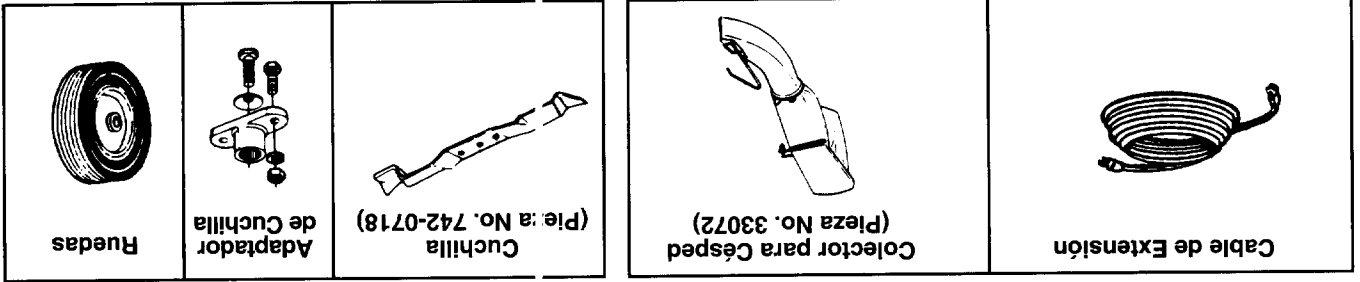


FIGURA 3.



Ruedas

Adaptador de Cuchilla

Cuchilla (Pieza No. 742-0718)

Colector para Césped (Pieza No. 33072)

Cable de Extensión

MANTENIMIENTO DEL CORTACÉSPED

FUNCIONAMIENTO DEL CORTACÉSPED

Estos accesorios eran disponibles en el momento de compra del cortacésped. También son disponibles en la mayoría de los centros, catálogos y centros de servicio Sears. La mayoría de las tiendas Sears pueden hacerle el pedido, cuando usted proporciona el número del modelo de su cortacésped.

ACCESORIOS DEL CORTACÉSPED

OPERACION.....	7-10
RESPONSABILIDADES DEL PROPIETARIO.....	10-12
MANTENIMIENTO Y AJUSTES.....	12
ALMACENAMIENTO.....	12
LOCALIZACIÓN DE FALLAS.....	13
PIEZAS DE REPUESTO.....	13
ENSAMBLAJE.....	6
ACCESORIOS.....	5
GARANTÍA.....	4
RESPONSABILIDADES DEL PROPIETARIO.....	4, 10-12
ACUERDO DE MANTENIMIENTO.....	4
ESPECIFICACIONES DEL PRODUCTO.....	4
REGLAS DE SEGURIDAD.....	2, 3

TABLA DE MATERIAS

SEARS, ROEBUCK AND CO. DEPT. 817WA, HOFFMAN STATES, IL 60179

Esta garantía le otorga derechos legales específicos y usted puede también tener otros derechos que varían de Estado a Estado. ESTA DISPONIBLE EL SERVICIO DE GARANTIA CONSULTANDO CON EL CENTRO DE SERVICIO SEARS MAS CERCA EN LOS ESTADOS UNIDOS. ESTA GARANTIA SE APLICA SOLAMENTE MIENTRAS ESTE PRODUCTO ESTE EN USO EN LOS ESTADOS UNIDOS.

Esta garantía se aplica por 30 días solamente desde la fecha de compra, si esta cortacésped se usa para fines comerciales o de alquiler.

Esta garantía excluye las cuchillas y adaptadores de las cuchillas que son partes descartables y se gastan durante el uso normal.

reparará libre de costo cualquier defecto de material o de mano de obra.

Por un año desde la fecha de compra cuando esta Craftsman sea mantenida, lubricada y puesta a punto de acuerdo con las instrucciones de operación y mantenimiento en el manual del operario, Sears

GARANTIA COMPLETA DE UN AÑO PARA LA CORTACÉSPED A GASOLINA CRAFTSMAN

GARANTIA

- Leer y observar las reglas de seguridad.
- Observar un programa regular para mantener, cuidar, y usar su cortacésped.
- Observar las instrucciones bajo "Responsabilidades del Propietario" y "Almacenamiento" de este Manual del Operador.

RESPONSABILIDADES DEL PROPIETARIO

SE ENCONTRARAN EL MODELO Y EL NUMERO DE SERIE EN EL ROTULO PEGADO AL CUERPO DE LA CORTACÉSPED.

USTED DEBERIA REGISTRAR AMBOS: EL NUMERO DE SERIE Y LA FECHA DE COMPRA Y GUARDARLO EN UN LUGAR SEGURO PARA REFERENCIA FUTURA.

NUMERO DE	MODELO
247.370291	
NUMERO DE	SERIE
FECHA DE	COMPRA

Esta disponible para este producto un Acuerdo de Mantenimiento de Sears. Por detalles consulte a su tienda Sears más cercana.

ACUERDO DE MANTENIMIENTO

Voltaje	110 - 120 AC
Amperaje	12
HZ:	60
Momento torsional	450-600 pulgadas libras
del Perno de la Cuchilla	

ESPECIFICACIONES DEL PRODUCTO

FELICITACIONES por su compra de una Cortacésped Craftsman Sears. Ha sido diseñada, concebida y fabricada para proporcionar la confiabilidad y el funcionamiento mejor posible.

Por favor consulte con su Centro/Departamento de Servicio Sears más cercano si experimenta algún problema que no puede solucionar fácilmente. Tenemos técnicos competentes y bien entrenados, y las herramientas apropiadas para servir o reparar esta unidad.

Por favor lea y guarde este manual. Las instrucciones le permitirán armar y mantener apropiadamente su cortacésped. Observe siempre las "REGLAS DE SEGURIDAD".

NORMAS DE SEGURIDAD (continuación)

- No opere este cortacésped con la puerta del canal abierta, al menos que todo el colector de césped o el deflector lateral este montado adecuadamente en el cortacésped.

MANTENIMIENTO Y ALMACENAJE

- Advertencia - Desconecte el cable eléctrico del toma de corriente antes de dir mantenimiento al cortacésped.
- Revise la cuchilla y los pernos de montaje con frecuencia para asegurar que estén apretados. Mantenga todas las tuercas, pernos y tornillos apretados para asegurar que el equipo este en buena condición de funcionamiento.
- Mantenga a cuchilla afilada.
- Use las cuchillas de repuesto idénticas solamente. Reemplace el cable dañado.
- Para evitar el peligro de incendio, mantenga el motor limpio, sin césped, grasas o grasa excesiva.
- Almacene el cortacésped en marcha en vacío bajo techo cuando no este en uso. Permita que el motor enfríe antes de almacenarlo. El cortacésped se debe almacenar en un lugar bajo techo seco, alto y cerrado, lejos del alcance de los niños.
- Mantenga el cortacésped con cuidado. Mantenga la cuchilla con filo y limpio para obtener mejores resultados. **Siga las instrucciones sobre lubricación y cambio de accesorios.**
- Revise la bolsa para césped a menudo para ver si se está deteriorando o desastando. Reemplace la bolsa si está en mala condición inmediatamente. Asegúrese de que la bolsa cumpla con las especificaciones originales del equipo.
- **CORTACÉSPED AISLADO DOBLE**

DOBLE AISLAMIENTO ES UN CONCEPTO DE SEGURIDAD EN LOS CORTACÉSPED ELÉCTRICOS, EL CUAL ELIMINA LA NECESIDAD DEL CABLE ELÉCTRICO A TIERRA TRADICIONAL DE TRES ALAMBRES Y EL SISTEMA DE ABASTECIMIENTO A TIERRA. EN CUALQUIER PARTE DEL CORTACÉSPED DONDE HAY CORRIENTE, HAY DOS CONJUNTOS COMPLETOS DE AISLAMIENTO PARA PROTEGER AL USUARIO. TODAS LAS PARTES DE METAL EXPUESTAS SON AISLADAS DE LOS COMPONENTES DE METAL INTERNOS DEL MOTOR CON AISLAMIENTO PROTECTOR.

IMPORTANTE - MANTENIMIENTO DE UN CORTACÉSPED CON DOBLE AISLAMIENTO REQUIERE DEMASIADO CUIDADO Y CONOCIMIENTO DEL SISTEMA Y DEBE EFECTUARSE SOLAMENTE POR UN TÉCNICO CALIFICADO. PARA MANTENIMIENTO SUGERIDOS QUE LLEVE LA MÁQUINA A SU CENTRO DE SERVICIO MAS CERCANO PARA EFECTUAR REPARACIONES. USE SIEMPRE REPUESTOS ORIGINALES DE LA FABRICA.

GUARDE ESTAS INSTRUCCIONES

- **OPERACION** No maltrate el cable - nunca tire el cortacésped del cable lejos del para desconectarlo del receptor. Mantenga el cable lejos del calor, aceite y bordes filosos.

- Si el cable se daña de algún modo mientras está conectado, desconecte el cable de extensión del receptor de la casa.
- Mantenga las manos y los pies alejados de las piezas en movimiento. Manténgase siempre alejado de la abertura de descarga ya que la cuchilla giratoria puede causar daño.
- Pare el motor si va a dejar la máquina sola y antes de cruzar caminos de grava, aceras o carreteras.
- Después de golpear algún objeto, apague el motor y asegúrese de que todas las piezas en movimiento se hayan detenido completamente. Desconecte el cable eléctrico para evitar el arranque accidental y luego inspeccione bien a ver si la máquina ha sufrido daño. Tal daño debe repararse antes de volver a encender y usar el cortacésped.
- Si la unidad empieza a vibrar fuera de lo normal, detenga el motor y revise inmediatamente a ver cual es la causa. Generalmente, la vibración indica que hay algún problema. Pare el motor, desconecte el cable eléctrico y espere hasta que la cuchilla cese su movimiento antes de limpiar, desatascar, reparar o inspeccionar el cortacésped. La cuchilla continua girando por unos segundos después de apagar el motor.
- No esfuerce el cortacésped. Funcionará mejor y más seguro al paso al cual fue diseñado. Use el aparato adecuado - No use el cortacésped para ninguna otra labor excepto para la cual ha sido creado.
- Corte a través de la superficie de las pendientes; nunca de arriba a abajo. Nunca corte el césped tirando la máquina hacia usted. Tenga mucho cuidado al usar la máquina en terreno desnivelado o al cambiar dirección en pendientes. No corte el césped en pendientes demasiado empinadas. No trate de alcanzar demasiado lejos - mantenga buena posición y equilibrio en todo momento. Un resbalón o caída puede causar serias lesiones.
- Nunca opere el cortacésped sin los resguardos, placas u otros dispositivos de seguridad adecuados en su lugar y en buena condición de operación.
- El control del motor/cuchilla en este cortacésped se instala para minimizar el riesgo de contacto con la cuchilla tal como es requerido por las reglas federales. No trate de alterar bajo ninguna circunstancia la función del control del motor/cuchilla
- Para evitar el peligro de choque eléctrico, nunca pase el cortacésped sobre el cable. No corte el césped en círculos. Siempre corte de un lado para otro, empezando del punto más cercano al toma de corriente al cual está conectado el cable. Esto mantendrá el cable ya cortada y fuera de alcance.
- No use el cortacésped si se ha caído o dañado de alguna manera. Lleve la máquina al centro de servicio autorizado más cercano.
- El uso de accesorios no recomendados por el fabricante del cortacésped puede ser peligroso.

ADVERTENCIA: El Escape del Motor de este producto contiene químicos que de acuerdo al Estado de California causan cáncer, defectos de nacimiento u otros problemas de reproducción.

NORMAS DE SEGURIDAD

ESTE SIMBOLO INDICA INSTRUCCIONES IMPORTANTES PARA SU SEGURIDAD. ESTAS INSTRUCCIONES SE DEBEN SEGUIR RIGOROSAMENTE PARA EVITAR PELIGROS PARA EL OPERADOR Y PARA OTROS. LEA Y SIGA TODAS LAS INSTRUCCIONES QUE SE ENCUENTRAN EN ESTE MANUAL ANTES DE INTENTAR OPERAR SU CORTACESPED. CUANDO VEA ESTE SIMBOLO — **PRESTE ATENCION A SU ADVERTENCIA.**

PELIGRO: Su cortacésped eléctrico fue diseñado para ser operado según las normas de seguridad que se encuentran en este manual. Al igual que con cualquier otro equipo eléctrico, error o falta de cuidado por parte del operador puede resultar en serias lesiones. Si usted infringe cualquiera de estas normas, puede causar serias lesiones a usted o a otras personas.

ADVERTENCIA: Cuando se usan cortacésped eléctricos, siempre se deben seguir las precauciones básicas de seguridad para reducir los riesgos de incendio, choque eléctrico y lesiones, incluyendo lo siguiente:

ORIENTACION

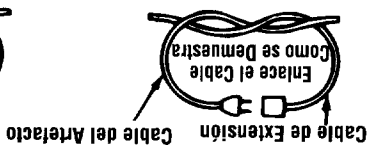
- Lea este manual cuidadosamente y por completo antes de tratar de ensamblar esta máquina. Familiarícese con los controles y el uso adecuado de esta máquina antes de ponerla en funcionamiento. Mantenga este manual en un lugar seguro para poder consultarlo con frecuencia y para hacer los pedidos de repuestos.
- Su cortacésped con motor rotativo es una máquina de precisión, no un juguete. Por lo tanto, es necesario manejarlo con mucha precaución en todo momento.
- Use el aparato adecuado - No use el cortacésped para ninguna otra labor excepto para la cual ha sido creado.
- No permita que ningún niño opere una máquina de este tipo. Solamente personas que están familiarizadas con estas normas de seguridad deben utilizarla.
- Ninguna persona debe utilizar el cortacésped si esta bajo la influencia de alcohol o drogas o si esta tomando algún medicamento que puede impedir los sentidos o reacciones.
- Manténgase Alerta - Ponga atención a lo que está haciendo. Tenga sentido común. No use el cortacésped si está cansado.
- Mantenga el área de trabajo libre de objetos, personas y animales domésticos. Pare el motor si están cerca de su cortacésped. A pesar de que el área de operación debe estar limpia de objetos, existe la posibilidad de que cualquier cosa pasada por alto sea arrojada y cause lesiones al operador u otras personas en la cercaña.

PREPARACION

- Inspeccione cuidadosamente el área en el cual va a trabajar, quitando ramitas, alambres, huesos, juguetes u otros objetos que puedan ser arrojados por la máquina y cause lesiones serias al operador o a otras personas.
- Use siempre anteojos protectores mientras opere, repare o ajuste la máquina para proteger los ojos contra la materia que puede ser arrojada. Siempre use una mascarilla guardapolvo si la operación es polvorosa.
- Vista de manera apropiada. Use zapatos de suela gruesa. No opere la unidad descalzo, con sandalias o tenis. No use ropa suelta ni alhajas de ningún tipo, ya que se pueden atorar en la máquina. Se recomienda usar guantes y zapatos de goma al trabajar.
- Nunca trate de efectuar ajustes de la altura de corte o las ruedas cuando el motor este encendido.
- Corte el césped solamente a la luz del día o bajo buena luz artificial.
- Evite Peligros Ambientales - Nunca opere el equipo bajo la lluvia o en sitios húmedos. Vea como tiene colocados los pies. Un resbalón o caída pueda causar serias lesiones. Agárrese bien del mango y camine sin correr. No trate de alcanzar demasiado lejos - manténgase en buena posición y equilibrio todo el tiempo.

- Advertencia - Para prevenir el choque eléctrico use solamente con un cable de extensión UL adecuado para el uso al aire libre tal como Tipo SW-A, SOW-A, STW-A, STOW-A, SJW-A, SJOW-A o SJTOW-A.

- Cable de extensión - asegúrese de que este en buena condición, que sea extra fuerte para aguantar la corriente que su cortacésped usará y que sea polarizado (una cuchilla del enchufe es más ancha que la otra). Se debe usar un cable de 100' de longitud de 14 AWG. Este se puede sustituir por cable de 50' de longitud de 16 AWG. Para aplicaciones en las que se necesita cable más largo, se puede usar un cable de 150' de longitud de 12 AWG. Un cable más pequeño causaría una baja en el voltaje resultando en la pérdida de energía o en recalentamiento. Para reducir la posibilidad de desconectar el cable del cortacésped, asegúrese de usar la sujeción del cable suministrado o haga un nudo tal como se demuestra en la ilustración de la siguiente columna.



- Para reducir el peligro de choque eléctrico, su cortacésped está equipado con un enchufe polarizado (una cuchilla es más grande que la otra). Si el toma de corriente al final de su cable de extensión no cabe completamente en el enchufe de su máquina, dele vuelta al toma de corriente y trate de conectarlo otra vez. Lo mismo se debe hacer con el otro extremo del cable de extensión con el toma de corriente de su casa. Si después de darles vuelta aun no cabe, llame a un electricista calificado para que instale el toma y/o enchufe adecuado. No cambie el enchufe del cortacésped para nada.
- Inspeccione el cable de extensión a menudo y reemplácelo si está dañado. Mantenga los cogedores secos, limpios y sin aceite o grasa.
- Fusibles - El cortacésped se debe operar en un circuito de 15 o 20 AMP. Si nota dificultad al arrancar con un fusible o cortacircuitos estándar de 15 AMP, llame a su centro de servicio autorizado. No use un fusible de mayor potencia sin antes consultar con la compañía eléctrica.
- Se debe suministrar un Interruptor Accionado por Corriente de Pérdida a Tierra (GFI) en los circuitos y toma de corrientes que se van a usar para el cortacésped. Hay receptáculos disponibles con GFI y se pueden usar para esta medida de seguridad.
- Para su seguridad, use el clísmetro incluido con este manual para medir las pendientes antes de poner en operación esta unidad en un terreno pendiente o montañoso. Si el terreno pendiente es mayor a los 15 grados, tal como se demuestra en el clísmetro, no use esta unidad en esa área ya que puede resultar en serias lesiones.

SEARS, ROEBUCK AND CO., Hoffman Estates, IL 60179 U.S.A.

Ensamblaje
Operación
Responsabilidades del Propietario
Mantenimiento y Ajustes
Piezas de Reparación

110V 12AMP ELECTRICO
DOBLE AISLADO
19" CORTACEFED - TRITURADOR

CRAFTSMAN®

Precaución:
Lea y observe
todas las reglas
y instrucciones
de seguridad antes
de operar este
equipo

SEARS
MANUAL DEL
PROPIETARIO
NUMERO DE
MODELO
247.370291

