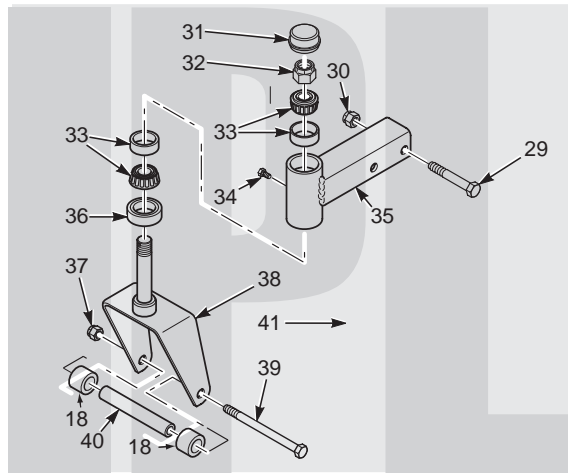


SCAG[®]

POWER EQUIPMENT



MODEL SFZ

ILLUSTRATED PARTS LIST

THIS MANUAL CONTAINS THE ILLUSTRATED PARTS LIST FOR MODELS:

SFZ48-19KA	with a serial number of	D8600001 to D8600300
SFZ48-26BS	with a serial number of	D8500001 to D8500300
SFZ52-19KA	with a serial number of	D8800001 to D8800150
SFZ52-26BS	with a serial number of	D8700001 to D8700200
SMFZ-48	with a serial number of	D9700001 to D9799999
SMFZ-52	with a serial number of	D9800001 to D9899999

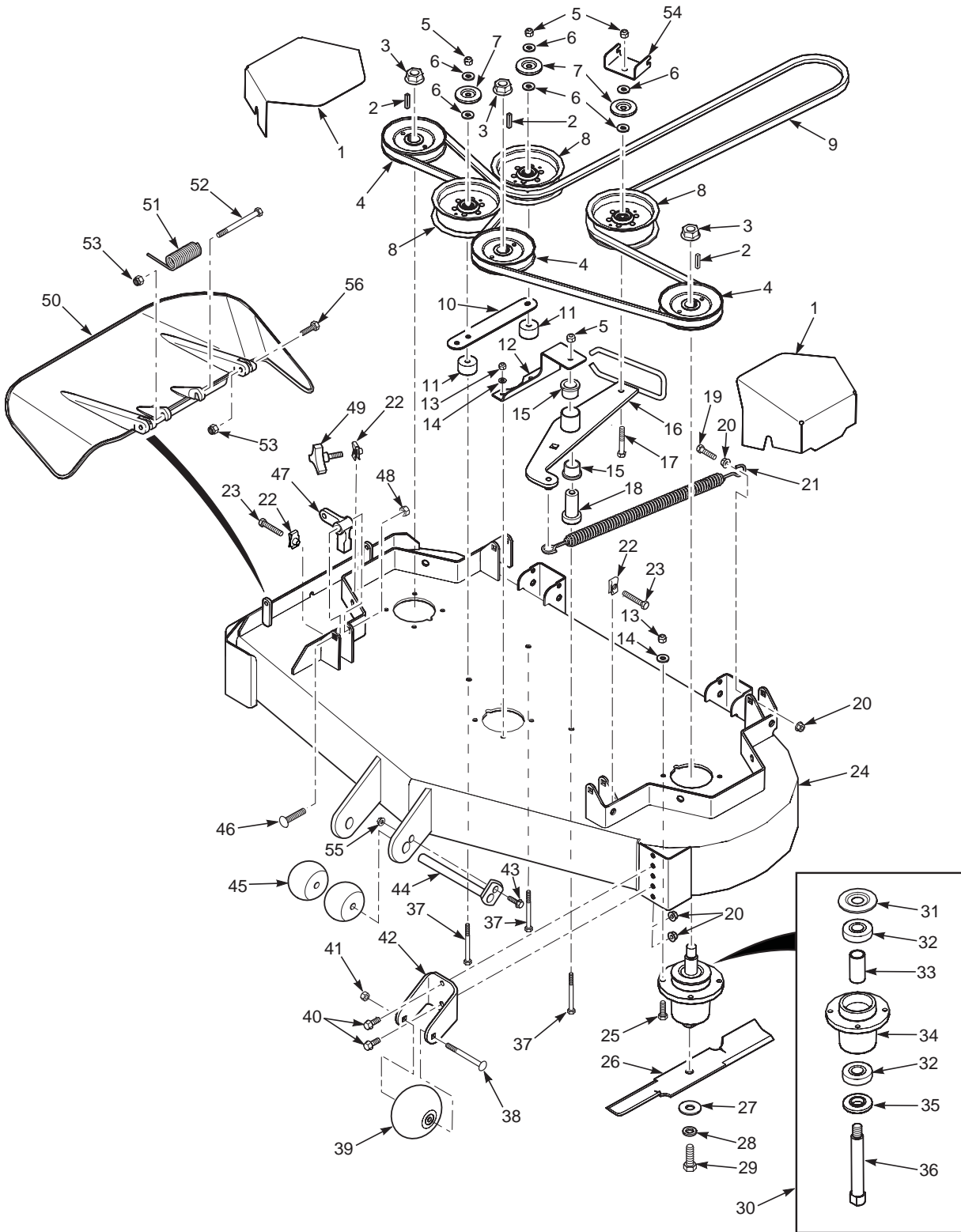
NOTES



ILLUSTRATED PARTS LIST TABLE OF CONTENTS

SUBJECT	PAGE
48, 52 Cutter Deck.....	2-3
Cutter Deck Controls	4-5
Sheet Metal Components	6-7
SFZ Roll Over Protection System	8-9
Drive System Components	10-11
Fuel and Electrical System	12-13
ZT-2800 Hydraulic Axle Assembly	14-15
Replacement Decals	16-17
Electrical Schematic - SFZ.....	18

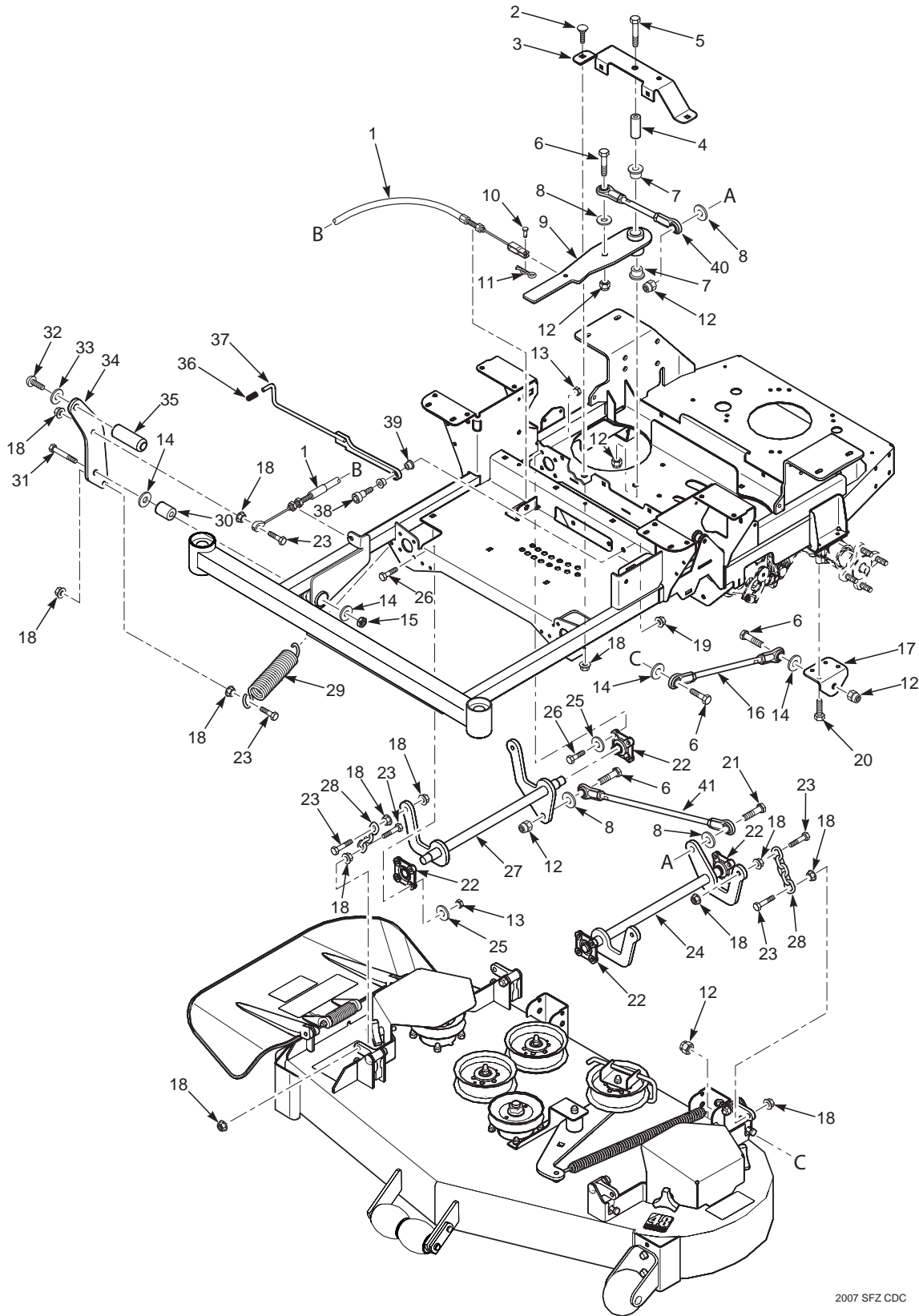
48" & 52" CUTTER DECKS



48" & 52" CUTTER DECKS

Ref. Part		Description	48 52		Ref. Part		Description	48 52	
No.	No.				No.	No.			
1	424528	Belt Cover	x	x	29	04001-121	Bolt, Hex Head 5/8-11 x 1-1/2"	x	x
2	04063-01	Key, 1/4 x 1/4 x 1-1/4"	x	x	30	461950	Spindle Assembly	x	x
3	04112-06	Nut, 3/4-16 Spiral Lock	x	x	31	483304	Debris Shield	x	x
4	483323	Pulley, 5.13" OD - 25mm Bore	x		32	483303	Bearing	x	x
	483324	Pulley, 5.73" OD - 25mm Bore		x	33	43693	Spacer, Bearing	x	x
5	04021-09	Nut, Elastic Stop 3/8-16	x	x	34	462014	Spindle Housing Assembly (incl. 32, 33)	x	x
6	04043-04	Flatwasher, 3/8 - .391 x .938 x .105	x	x	35	43694	Protector, Bearing	x	x
7	424367	Dust Shield	x	x	36	43695	Shaft, Spindle	x	x
8	483422	Pulley, 5" Idler	x	x	37	04001-77	Bolt, Hex Head 3/8-16 x 3-1/2"	x	x
9	483325	Belt, Cutter Deck	x		38	04003-26	Bolt, Carriage 3/8-16 x 4"	x	x
	483326	Belt, Cutter Deck		x	39	481632	Wheel, Anti-Scalp	x	x
10	424479	Brace, Pulley	x	x	40	04017-27	Bolt, Hex Head 3/8-16 x 1" Serr. Flange	x	x
11	43711	Spacer	x	x	41	04021-05	Nut, Center Lock 3/8-16	x	x
12	424548	Support, Idler Pivot	x		42	422478	Bracket, Anti-Scalp	x	x
	424547	Support, Idler Pivot		x	43	04001-09	Bolt, Hex Head 5/16-18 x 1"	x	x
13	04021-22	Nut, Elastic Stop 5/16-18	x	x	44	451926	Shaft Weldment	x	x
14	04030-03	Lockwasher, 5/16 Spring	x	x	45	482295	Wheel, Anti-Scalp	x	x
15	483453-03	Bearing	x	x	46	04003-42	Bolt, Carriage 7/16-14 x 2-1/4"	x	x
16	462037	Idler Arm (incl. Item #15)	x	x	47	483361	Lever, Deck Level	x	x
17	04001-31	Bolt, Hex Head 3/8-16 x 2-1/2"	x	x	48	04021-11	Nut, Elastic Stop 7/16-14	x	x
18	43708	Pivot, Idler	x	x	49	481625-01	Knob w/Stud	x	x
19	04001-136	Bolt, Hex Head 3/8-16 x 1-1/2" Gr. 8	x	x	50	462031	Discharge Chute Assembly	x	
20	04019-04	Nut, Serrated Flange 3/8-16	x	x		462032	Discharge Chute Assembly		x
21	483375	Spring, Idler	x	x	51	482245	Spring, Discharge Chute	x	x
22	04110-03	U-Nut, 3/8-16	x	x	52	04001-154	Bolt, Hex Head 5/16-18 x 4-3/4"	x	x
23	04107-04	Bolt, Hex Head 3/8-16 x 2" Special Lock	x	x	53	04021-10	Nut, Elastic Stop 5/16-18	x	x
24	462039	Cutter Deck w/Decals, SFZ	x		54	424615	Bracket, Belt Guide	x	x
	462040	Cutter Deck w/Decals, SFZ		x	55	04019-03	Nut, Serrated Flange 5/16-18	x	x
25	04001-11	Bolt, Hex Head 5/16-18 x 1-1/2"	x	x	56	04001-12	Bolt, Hex Head 5/16-18 x 1-3/4"	x	x
26	482877	Cutter Blade, 16.5"	x						
	482878	Cutter Blade, 18"		x					
27	04043-06	Flatwasher, 5/8-.688 x 1.75 x .134 HD	x	x					
28	04030-07	Lockwasher, 1/2 Spring	x	x					

CUTTER DECK CONTROLS



2007 SFZ CDC

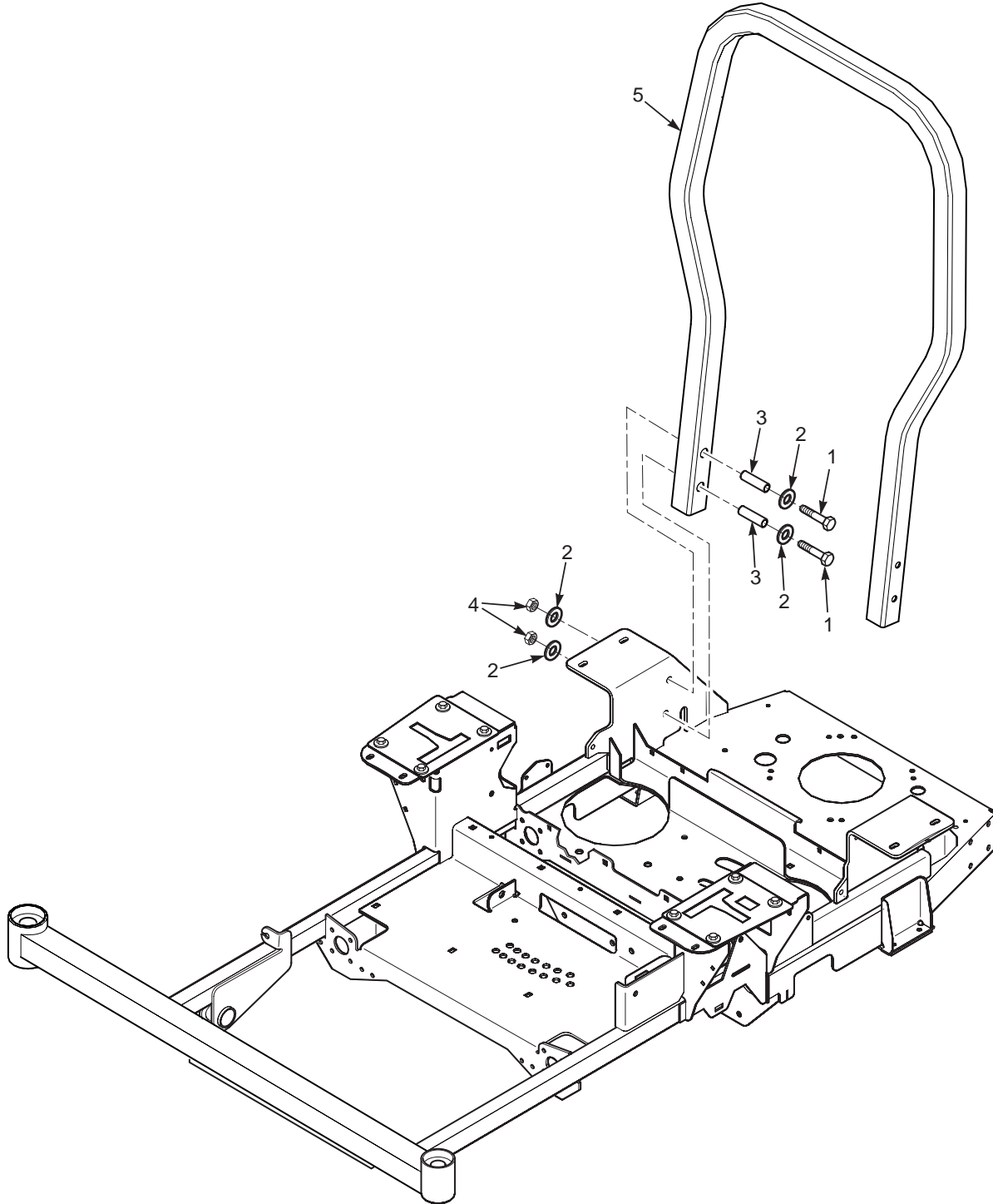
CUTTER DECK CONTROLS

Ref. No.	Part No.	Description
1	483341	Cable, Deck Lift
2	04003-31	Bolt, Carriage 3/8-16 x 3/4"
3	424476	Support, Idler Arm
4	43710	Spacer, Deck Lift Pivot
5	04001-90	Bolt, Hex Head 1/2-13 x 3-1/4"
6	04001-183	Bolt, Hex Head 1/2-13 x 1-3/4"
7	483453-03	Bearing
8	04040-07	Flatwasher, 1/2-.531 x 1.06 x .095
9	461999	Deck Lift Bellcrank Assy.
10	04064-17	Clevis Pin, 5/16 x 3/4"
11	04062-01	Hair Pin, .094 x 1.62"
12	04021-07	Nut, Elastic Stop 1/2-13
13	04021-10	Nut, Elastic Stop 5/16-18
14	04040-13	Flatwasher, 1/2-.562 x 1.375 x .109
15	04021-19	Nut, Center Lock 1/2-13
16	483332	Linkage, Push Arm
17	424489	Bracket, Push Arm Link
18	04019-04	Nut, Serrated Flange 3/8-16
19	04021-09	Nut, Elastic Stop 3/8-16
20	04001-49	Bolt, Hex Head 5/16-18 x 3"
21	04001-52	Bolt, Hex Head 1/2-13 x 2-1/2"
22	483334	Bearing, Deck Lift
23	04001-20	Bolt, Hex Head 3/8-16 x 1-1/2"
24	451868	Weldment, Deck Lift LH
25	04040-14	Flatwasher, 1/4-.312 x .750 x .065
26	04001-09	Bolt, Hex Head 5/16-18 x 1"
27	451867	Weldment, Deck Lift RH
28	482628	Chain, Deck Lift
29	483374	Spring, Deck Lift
30	43710	Sleeve, Deck Lift Pivot
31	04001-74	Bolt, Hex Head 1/2-13 x 3"
32	04105-01	Bolt, Hex Socket 5/8-11 x 1-1/2"
33	04030-07	Lockwasher, 5/8" Spring
34	424535	Pedal, Foot Bracket
35	424504	Foot Pedal
36	483492	Grip, Deck Latch
37	491254	Weldment, Deck Latch
38	04009-06	Bolt, Shoulder 1/2 x 1/2"
39	483453-10	Bearing
40	483328	Linkage Assy., Deck Lift
41	483367	Linkage Assy., Deck Lift

SHEET METAL COMPONENTS

Ref. Part No.	Part No.	Description	Ref. Part No.	Part No.	Description
1	483408	Seat Assembly	30	43703	Spacer, Bearing
	483544	Back Cushion	31	483379	Bearing
	483545	Bottom Cushion	32	424480	Support, Deck Guide
	483549	Arm Rest Kit	33	04001-31	Bolt, Hex Head 3/8-16 x 2-1/2"
	483543	Seat Adjustment Track Set	34	43698	Sleeve, Front Caster Wheel
2	483412	Seat Belt Assembly, Retractable	35	483453-09	Bearing
	461990	Hardware Package, Seat Belt Mounting	36	483486	Seal, 1 x 1.375 x .25
3	462034	Seat Base w/decals	37	483453-08	Bearing
4	483371	Spring, Seat Latch	38	483409	Caster Wheel Assembly
5	451883	Seat Latch		483417	Tire, 11 x4-5.00 2-Ply
6	04021-09	Nut, Elastic Stop 3/8-16		483410	Rim, 5 x 3.25 w/Valve
7	04001-100	Bolt, Hex Head 3/8-16 x 6"	39	04001-80	Bolt, Hex Head 1/2-13 x 6-1/2"
8	04019-02	Nut, Serrated Flange 1/4-20	40	04021-07	Nut, Elastic Stop 1/2-13
9	424585	Cover, Fan RH	41	451845	Yoke, Caster Wheel
10	424550	Cover, Fan LH	42	483466	Bearing
11	04041-07	Flatwasher, 3/8-.391 x .938 x .105	43	43736	Spacer, Caster Bearing
12	483372	Spring, Seat	44	04040-15	Flatwasher, 5/16-.375 x .875 x .083
13	04003-07	Bolt, Carriage 1/4-20 x 1/2"	45	04041-38	Flatwasher, 3/8-.406 x 2.25 x .188
14	04001-19	Bolt, Hex Head 3/8-16 x 1"	46	483493	Rubber Isolator
15	451929	Rear Bumper	47	04003-11	Bolt, Carriage 3/8-16 x 1-1/4"
16	424523	Bracket, Anti-Rotation	48	451889	Foot Plate Weldment
17	04001-14	Bolt, Hex Head 1/4-20 x 1"	49	462024	Control Plate RH
18	04040-14	Flatwasher, 1/4-.312 x .750 x .065	50	462005	Weldment, Deck Lift Cover
19	04021-10	Nut, Elastic Stop 5/16-18	51	04003-14	Bolt, Carriage 5/16-18 x 1/2"
20	04019-04	Nut, Serrated Flange 3/8-16	52	04040-11	Flatwasher, 7/16-.500 x 1.250 x .083
21	424639	Bracket, Dump Valve	53	462015	Caster Wheel Assembly w/Yoke
22	462023	Control Plate LH	54	483559	Cable, Seat Stop
23	04110-01	U-Nut 1/4-20			
24	04001-73	Bolt, Hex Head 5/16-18 x 3-3/4"			
25	424511	Bracket, Switch Mount			
26	424516	Bracket, Tank Mount			
27	04003-12	Bolt, Carriage 5/16-18 x 3/4"			
28	04019-03	Nut, Serrated Flange 5/16-18			
29	462022	Main Frame w/Decals			

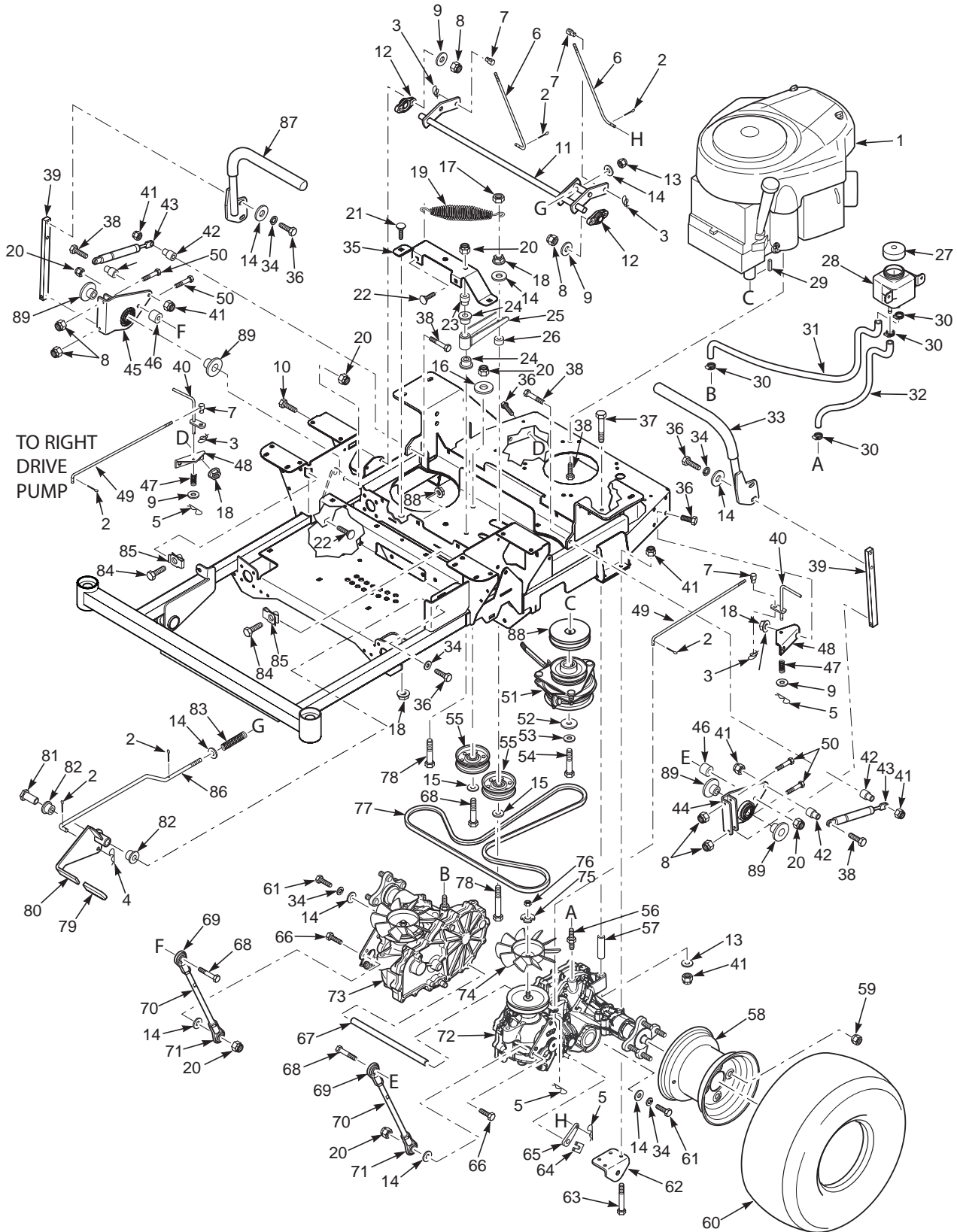
SFZ ROLL-OVER PROTECTION SYSTEM



SFZ ROLL-OVER PROTECTION SYSTEM

Ref. Part No. No.	Description
1 04001-184	Bolt, Hex Head 1/2-13 x 3-1/4" Gr. 8
2 04040-13	Flatwasher, 1/2-.562 x 1.375 x .109
3 43743	Bushing, SFZ ROPS
4 04021-19	Nut, Center Lock 1/2-13
5 462021	ROPS, SFZ

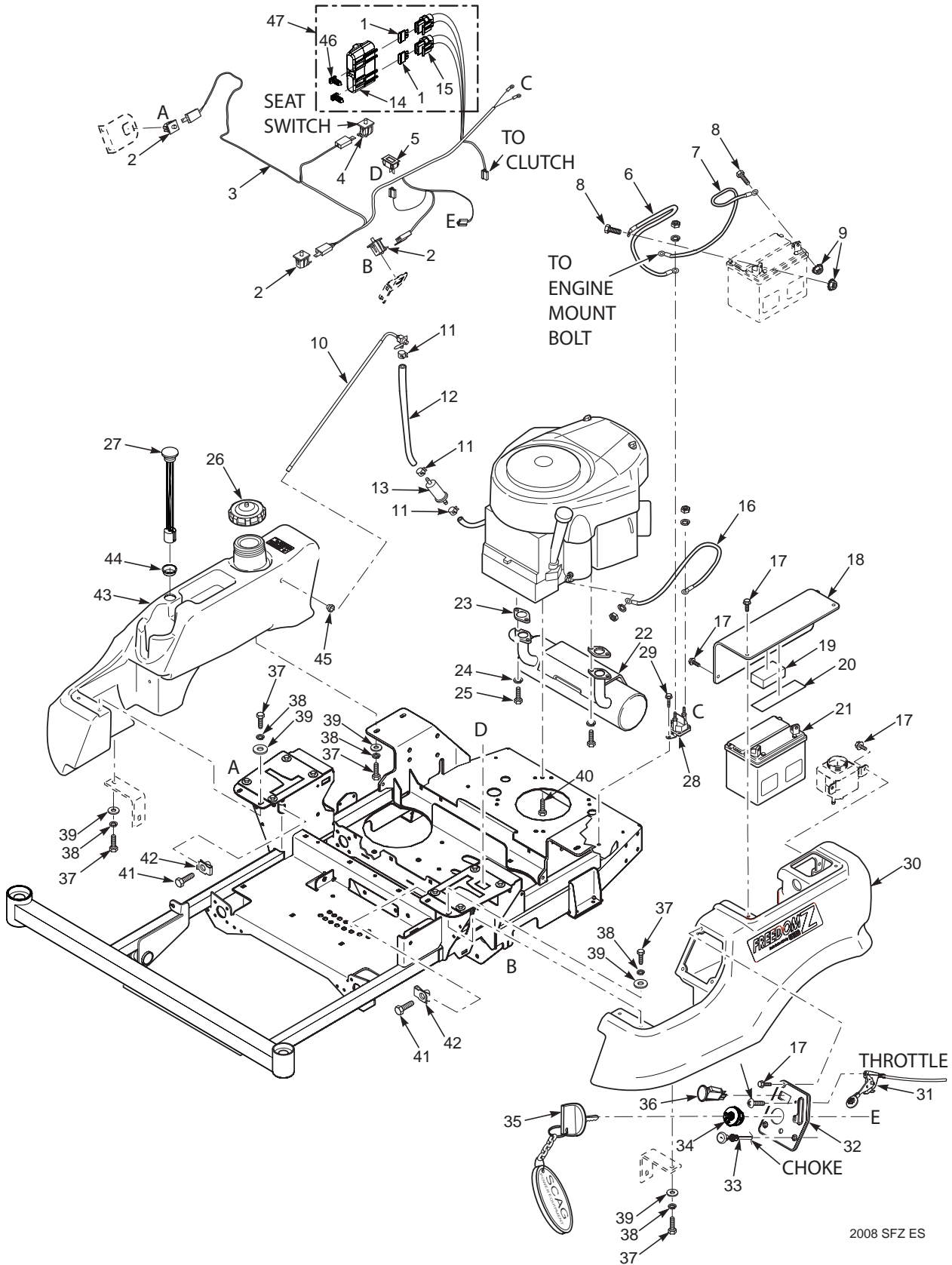
DRIVE SYSTEM COMPONENTS



DRIVE SYSTEM COMPONENTS

Ref. Part No. No.	Description	Ref. Part No. No.	Description
1	483465 Engine, Briggs & Stratton 26hp	49	44162 Rod, Brake Linkage
	483516 Engine, Kawasaki 19hp	50	04001-04 Bolt, Hex Head 1/4-20 x 1-1/2"
2	04061-01 Cotter Pin, 3/32 x 1"	51	462012 Electric Clutch Assy.
3	04069-01 Pin, Rue Cotter 3/8" Dia.	52	04041-28 Flatwasher, 7/16-.469 x 1.75 x .25
4	04062-02 Hair Pin Cotter, .080 x 1.19"	53	04030-05 Lockwasher, 7/16" Spring
5	04019-03 Nut, Serrated Flange 5/16-18	54	04102-03 Bolt, Hex Head 7/16-20 x 2-1/4" Patch
6	44165 Rod, Brake Adjustment	55	483638 Pulley, 3-1/2" Dia.
7	43726 Joint, Swivel	56	482800-03 Fitting, Transmission
8	04021-08 Nut, Elastic Stop 1/4-20	57	43700 Spacer, Axle
9	04040-14 Flatwasher, 1/4-.312 x .750 x .065	58	481868 Rim w/Valve Stem
10	04017-07 Bolt, Serrated Flange 1/4-20 x 1-1/4"	59	04028-02 Wheel Nut, 1/2-20
11	451884 Weldment, Brake Lever	60	483390 Wheel Assy.
12	483504 Bearing		483389 Tire, 20 x 10-8 2-Ply
13	04040-15 Flatwasher, 5/16-.375 x .875 x .083	61	04001-46 Bolt, Hex Head 3/8-16 x 2-1/4"
14	04041-07 Flatwasher, 3/8-.391 x .938 x .105	62	424489 Bracket, Pusharm Link
15	04043-04 Flatwasher, 3/8-.391 x .938 x .105 HD	63	04001-49 Bolt, Hex Head 5/16-18 x 3"
16	04041-11 Flatwasher, 3/8-.406 x 1.5 x 7 ga.	64	HG52027 Clip, Brake Lever
17	04021-05 Nut, Center Lock 3/8-16	65	HG52639 Lever, Brake
18	04019-04 Nut, Serrated Flange 3/8-16	66	04001-32 Bolt, Hex Head 3/8-16 x 1-1/4"
19	483087 Spring, Transmission Idler	67	43701 Spacer, Axles
20	04021-09 Nut, Elastic Stop 3/8-16	68	04001-45 Bolt, Hex Head 3/8-16 x 2"
21	04003-31 Bolt, Carriage 3/8-16 x 3/4"	69	483339 Rod End, 3/8-24 UNF RH
22	04003-12 Bolt, Carriage 5/16-18 x 3/4"		04020-25 Nut, Jam 3/8-24 UNF RH
23	43715 Shaft Pivot, Idler Arm	70	483337 Linkage, Pump
24	483453-04 Bearing	71	483340 Rod End, 3/8-24 UNF LH
25	462004 Transmission Idler Arm Assy.		04020-26 Nut, Jam 3/8-24 UNF LH
26	43720 Spacer, Idler Pulley	72	483527 Transaxle Assy, LH (ZL-KCEF-3LKG-1EXX)
27	483514 Cap	73	483528 Transaxle Assy, RH (ZL-GCEF-3LKF-1EXX)
28	483438 Reservoir Assy.	74	HG51862 Fan
29	04063-31 Key, 1/4 x 1/4 x 1-3/4"	75	HG51523 Fan Washer
30	48136-05 Clamp, .87" Max Dia.	76	HG44133 Fan Nut
31	483431 Hose, RH Transmission	77	483314 Belt, Transmission Drive
32	483432 Hose, LH Transmission	78	04001-54 Bolt, Hex Head 3/8-16 x 3"
33	462001 Handle Bar Assy. w/Grip	79	482102 Grip, Brake Handle
	482340 Grip	80	462010 Brake Handle Assy.
34	04030-04 Lockwasher, 3/8" Spring	81	43722 Spacer, Brake Handle
35	424476 Support, Idler Arm	82	483453-05 Bearing
36	04001-19 Bolt, Hex Head 3/8-16 x 1"	83	483538 Spring, Brake
37	04001-49 Bolt, Hex Head 5/16-18 x 3"	84	04107-01 Bolt, Hex Head 3/8-16 x 1-1/4 Special Lock
38	04001-11 Bolt, Hex Head 5/16-18 x 1-1/2"	85	04110-03 U-Nut, 3/8-16
39	424498 Bar, Control Lever	86	44157 Rod, Brake Linkage
40	451912 Dump Valve Lever	87	462000 Handle Bar w/Grip
41	04021-10 Nut, Elastic Stop 5/16-18		482340 Grip
42	43602 Spacer, Pump Dampener	88	483320 Pulley, 4-1/2" Dia. 1" Bore
43	482794 Dampener	89	43719 Spacer, Linkage
44	462019 Control Linkage, LH		
45	462020 Control Linkage, RH		
46	43674 Spacer		
47	482070 Spring		
48	424639 Bracket, Dump Mounting		

FUEL AND ELECTRICAL SYSTEM

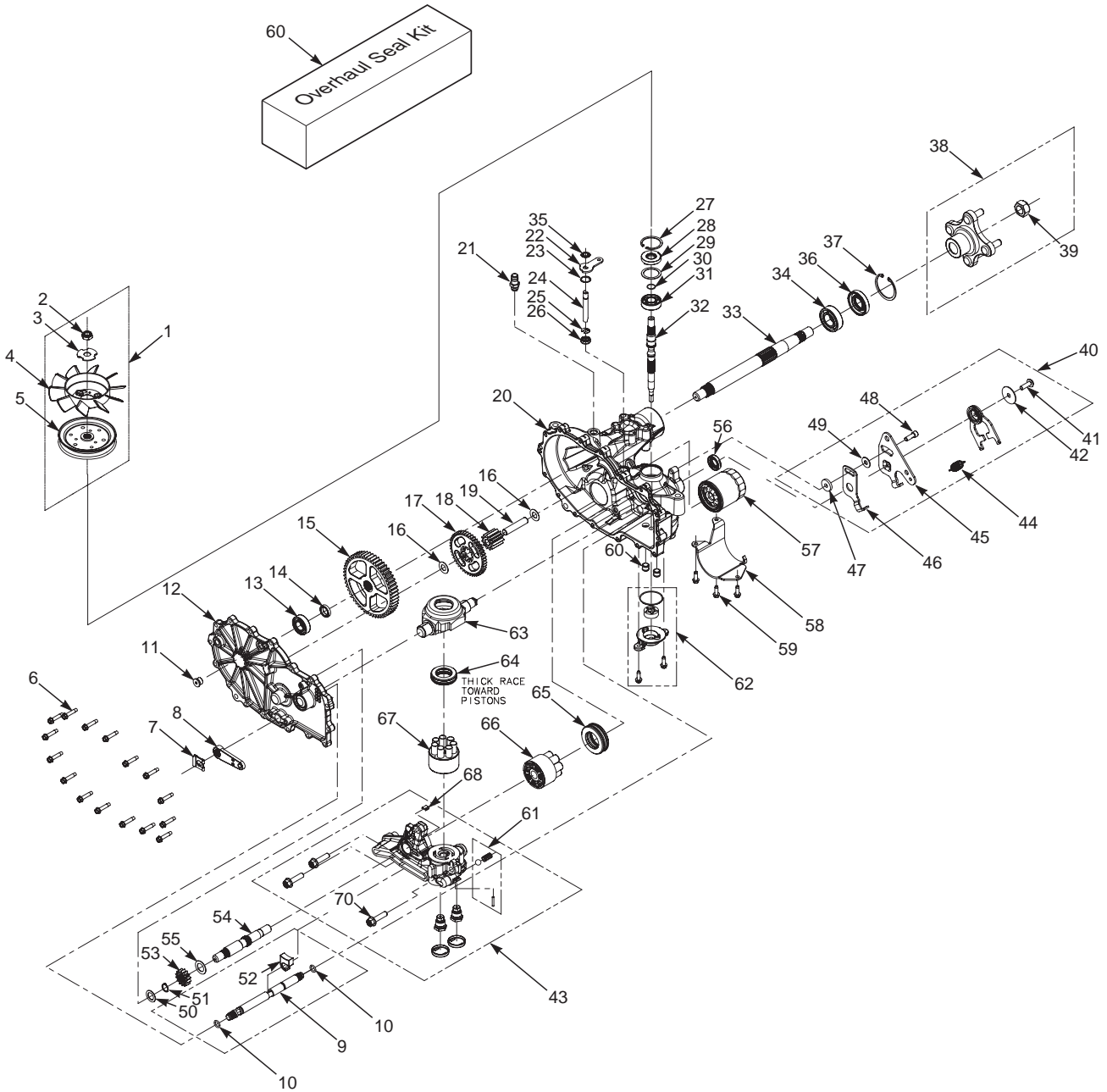


FUEL AND ELECTRICAL SYSTEM

Ref. Part No. No.	Description	Ref. Part No. No.	Description
1	48298 Fuse, 20amp	30	483364 Tank, LH
2	483473 Switch	31	483434 Throttle Cable (Briggs & Stratton)
3	483621 Wire Harness, Main		483645 Throttle Cable (Kawasaki)
4	483474 Switch, Seat	32	462036 Instrument Panel w/Decal
5	483537 Hourmeter	33	483435 Choke Cable (Briggs & Stratton)
6	48029-13 Battery Cable, Red 25"		483646 Choke Cable (Kawasaki)
7	48029-11 Battery Cable, Black 27"	34	483472 Ignition Switch
8	04001-44 Bolt, Hex Head 1/4-20 x 1/2"	35	483366 Key, Ignition
9	04020-02 Nut, 1/4-20		462036 Key Assembly w/Fob
10	483555 Fuel Tube Assy.	36	483162 PTO Switch
11	48059-01 Clamp, Fuel Hose 1/4"ID	37	04001-08 Bolt, Hex Head 5/16-18 x 3/4"
12	483617 Fuel Hose , 1/4" ID Non-Perm. (order by inch)	38	04030-03 Lockwasher, 5/16" Spring
13	** Fuel Filter	39	04040-15 Flatwasher, 5/16-.375 x .875 x .083
14	483571 Cover, Sealed Double	40	04001-11 Bolt, Hex Head 5/16-18 x 1-1/2"
15	483629 Fuse Holder	41	04107-03 Bolt, Hex Head 3/8-16 x 1-1/4" Special Lock
16	48029-09 Battery Cable, Red 9"	42	04110-03 U-Nut, 3/8-16
17	04017-04 Bolt, Hex Head 1/4-20 x 1/2" Serrated Flange	43	462009 Fuel Tank Assy, RH
18	461996 Battery Cover (incl. items 19 & 20)	44	483536 Grommet
19	483452 Pad, Battery Hold Down	45	482571 Bushing, .56" Dia. Viton
20	483508 RubberPad	46	482588 Clip, Wire
21	483665 Battery (not avail. through Scag)	47	483642 Double Fuse Assy. (incl. items 2, 14, 15, 46)
22	483381 Muffler, Briggs & Stratton		
	483383 Muffler, Kawasaki		
23	** Exhaust Gasket		
24	** Lockwasher		
25	** Bolt		
26	482547 Cap, Fuel Tank		
27	483523 Fuel Gauge Assy.		
28	483278 Solenoid		
29	04011-13 Bolt, Self Tapping 1/4-20 x 3/4" Shakeproof		

** Available through the individual engine manufacturer.

ZT-2800 HYDRAULIC AXLE ASSEMBLY



ZT-2800 HYDRAULIC AXLE ASSEMBLY

Ref. Part No. No.	Description	Ref. Part No. No.	Description
1	HG70489	Kit, Fan & Pulley	
2	HG51244	Nut, Hex Locking 1/2-20	
3	HG51523	Washer, Slotted	
4	HG51862	Fan, 7" Dia. (10 Blade)	
5	HG52364	Pulley, Cupped 4-1/2" Dia.	
	HG52366	Hub, Pulley	
6	HG51190	Bolt, Hex Head 1/4-20 x 1-1/4"	
7	HG52027	Clip, Retaining	
8	HG52639	Handle, Brake	
9	HG52640	Shaft, Brake	
10	HG51804	O-Ring	
11	HG9005110-5600	Plug, 9/16-18	
12	HG71572	Kit, Side Cover RH	
	HG71574	Kit, Side Cover LH	
13	HG44121	Bearing, Ball .75 x 40 x 12	
14	HG52161	Spacer, .75 x 1.0 x .257	
15	HG52108	Gear, 54T	
16	HG50132	Washer, .5 x 1.0 x .03	
17	HG52110	Gear, 45T	
18	HG52586	Gear, 11T Steel	
19	HG51083	Jackshaft Pin	
20	HG71413	Kit, Housing RH	
	HG71421	Kit, Housing LH	
21	482800-03	Fitting	
22	HG51329	Arm, Bypass	
23	HG51627	Ring, Retaining .750 Internal	
24	HG52136	Rod, Bypass	
25	HG51628	Ring, Retaining .375 External	
26	HG51626	Seal, Lip .375 x .75 x .25	
27	HG50329	Ring, Retaining 2.06 Internal	
28	HG51161	Seal, Lip 17 x 40 x 7	
29	HG50951	Washer, 1.23 x 1.56 x .04	
30	HG2000022	Ring, Retaining Wire	
31	HG50315	Bearing, Ball 17 x 40 x 12 Open	
32	HG52155	Shaft, Input	
33	HG71569	Shaft Kit, Axle	
34	HG50771	Bearing, Ball 1.0 x 52 x 15 Open	
35	HG51630	Ring, Retaining .375 External	
36	HG50772	Seal, Lip 25 x 52 x 10 TC Gray	
37	HG50859	Ring, Retaining 2.06 Internal	
38	HG71405	Kit, Hub	
	HG71241	Hub, Puller (not shown)	
39	HG50863	Nut, Hex Locking 3/4-16	
40	HG71595	Kit, RTN Assembly	
41	HG51812	Bolt, 5/16-24 x 1" Patch	
42	HG51950	Washer, .343 x 1.5 x .062	
43	HG71565	Kit, Center Section RH	
	HG71566	Kit, Center Section LH	
44	HG51605	Spring	
45	HG52682	Arm, Control	
46	HG51945	Arm, Neutral RH	
	HG51946	Arm, Neutral LH	
47	HG52527	Spacer, .320 x 1.005 x .179	
48	HG51616	Bolt, 5/16-24 x 1" Patch	
49	HG44130	Washer, .34 x .88 x .06	
50	HG44371	Washer, .63 x 1.0 x .05	
51	HG44145	Ring, Retaining	
52	HG52641	Pawl, Brake	
53	HG52341	Gear, 14T Steel	
54	HG52150	Shaft, Motor	
55	HG51069	Washer, .72 x 1.16 x .04	
56	HG51140	Seal, Lip 18 x 32 x 7	
57	HG52114	Filter	
58	HG52257	Filter Guard	
59	HG50752	Bolt, 1/4-20 x 3/4"	
60	HG71410	Seal Kit	
61	HG71436	Kit, Charge Relief	
62	HG71411	Kit, Charge Pump	
63	HG51048	Trunnion Swashplate	
64	HG50551	Thrust Bearing	
65	HG51462	Thrust Bearing	
66	HG71579	Kit, Motor Cylinder Block	
67	HG70723	Kit, Cylinder Block	
68	HG71448	Plate, Bypass	
69	HG71436	Kit, Charge Relief	
70	HG52137	Bolt, Hex Head 3/8-16 x 1-1/2" Patch	

REPLACEMENT DECALS AND INFORMATION PLATES

WARNING

INSTALL BELT COVER BEFORE OPERATING MACHINE
 READ OPERATOR'S MANUAL 483402 1

WARNING

DO NOT OPERATE WITHOUT DISCHARGE CHUTE, MULCHING KIT, OR ENTIRE GRASS CATCHER INSTALLED 483405 2

IMPORTANT
 Operation on slopes can be hazardous.
 This machine was originally equipped with a Rollover Protection Device with a Roll Bar and Seat Belt.
 See your dealer if either is missing or damaged. 483425 3


DANGER

SPINNING BLADES
KEEP CLEAR
BLADE CONTACT & THROWN OBJECTS CAN INJURE 4


FORWARD

F
REVERSE

R 5

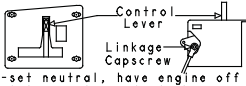
WARNING

 Replace seat only with Scag approved seat with seat mounting provisions and Scag approved seat belts.
 Failure to follow these directions could result in injury or death in the event of a rollover. 6


48
COMMERCIAL GRADE 7

WARNING

ROTATING BLADES AND BELTS
 * Keep hands, feet & clothing clear
 * Keep all guards in place
 * Shut off engine & disengage blade clutch before servicing
 * Use caution in directing discharge
 * Read instruction manual before operating
DO NOT OPERATE UNLESS GRASS CATCHER, MULCHING KIT OR DISCHARGE CHUTE IS INSTALLED 8

IMPORTANT ADJUSTMENT PROCEDURES
 READ OPERATORS MANUAL FOR MORE DETAILS
 Check tire pressure - Drive tires-8 psi -
 - Caster tires-25 psi

FREE WHEEL OPERATION
 To move machine without running engine, pull both dump valve rods up and back (located at rear of machine) and latch. Pull rods forward and latch into front slot to operate mower.

NEUTRAL ADJUSTMENT

 Control Lever
 Linkage
 Capscrew

TRACKING ADJUSTMENT

 Control Lever
 Stop Bolt

HYDRAULIC FLUID LEVEL
 Check hydraulic fluid level while fluid is cool. Fluid level should be in sight window. Fill with 20W50 motor oil only.

IMPORTANT
 Do not overfill. Room for hot fluid expansion must be allowed or resulting expansion may cause leaks in the system

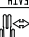
If machine pulls to right, adjust LH control stop bolt CW (inward) to slow left wheel down. Adjust RH control stop bolt CW (inward) to slow right wheel down. 9



SCAG FREEDOM Z 11

DECK LATCH RELEASE

FREEDOM Z
 Made in the USA by SCAG

WARNING

 HOLD SEATBELT TIGHT OR DEATH
 Read the Operator's Manual
 An authorized Scag
 dealer is required on slopes
 if machine stops going uphill,
 slip ladder and back down slowly.
 Avoid sudden turns.
 Do not move when children or
 other are around.
 Mower carry children even with
 blades off.
 Always keep front and behind before
 and while docking
 Mower safety devices (guards,
 shields, switches, etc.) in place
 and working
 Remove objects that could be
 thrown by the blades.
 *Trained operators only

START/DRIVE PROCEDURE
 - Engage parking brake
 - Disengage mower deck drive
 - Move control handles to neutral position
 - Start Engine
 - Select forward or reverse with hydro control levers

METALCAST OF MARYLENE
 MADE IN USA
 MARYLENE, VA

REPLACEMENT DECALS AND INFORMATION PLATES

Ref. No.	Part No.	Description
1	483402	Decal, Belt Cover
2	483405	Decal, Warning
3	483425	Decal, ROPS
4	483505	Decal, Spinning Blades
5	481568	Decal, Traction Control
6	483633	Decal, Seat Replacement
7	483494	Decal, 48 Commercial
	483495	Decal, 52 Commercial
8	483406	Decal, Knives
9	483632	Decal, Adjustment SFZ
	*483502	Decal, Adjustment SFZ
10	483499	Decal, Control Panel
11	483501	Decal, Front SFZ
12	483467	Decal, Cutting Height

* Used on machines with a serial number in the following range only. D1500001 to D1500047.

ELECTRICAL SCHEMATIC - FREEDOM Z

