

REPAIR PARTS MANUAL
MODEL NO. PR625Y22SHP
MFG. ID. NO. 96122002100
Rotary Lawn Mower

For Parts and Service, contact our authorized distributor: call 1-800-849-1297
For Technical Assistance: call 1-800-829-5886

Poulan PRO

Poulan PRO

424582 11.18.08 BY

Printed in U.S.A.

LIMITED WARRANTY

The Manufacturer warrants to the original consumer purchaser that this product as manufactured is free from defects in materials and workmanship. For a period of two (2) years from date of purchase by the original consumer purchaser, we will repair or replace, at our option, without charge for parts or labor incurred in replacing parts, any part which we find to be defective due to materials or workmanship. This Warranty is subject to the following limitations and exclusions.

1. This warranty does not apply to the engine, transaxle/transmission components, battery (except as noted below) or components parts thereof. Please refer to the applicable manufacturer's warranty on these items.
2. Transportation charges for the movement of any power equipment unit or attachment are the responsibility of the purchaser. Transportation charges for any parts submitted for replacement under this warranty must be paid by the purchaser unless such return is requested by the manufacturer.
3. Battery Warranty: On products equipped with a Battery, we will replace, without charge to you, any battery which we find to be defective in manufacture, during the first ninety (90) days of ownership. After ninety (90) days, we will exchange the Battery, charging you 1/12 of the price of a new Battery for each full month from the date of the original sale. Battery must be maintained in accordance with the instructions furnished.
4. The Warranty period for any products used for rental or commercial purposes is limited to 45 days from the date of original purchase.
5. This Warranty applies only to products which have been properly assembled, adjusted, operated, and maintained in accordance with the instructions furnished. This Warranty does not apply to any product which has been subjected to alteration, misuse, abuse, improper assembly or installation, delivery damage, or to normal wear of the product.
6. Exclusions: Excluded from this Warranty are belts, blades, blade adapters, normal wear, normal adjustments, standard hardware and normal maintenance.
7. In the event you have a claim under this Warranty, you must return the product to an authorized service dealer.

Should you have any unanswered questions concerning this Warranty, contact:

Poulan Pro
Customer Service Department
1030 Stevens Creek Road
Augusta, GA 30907 USA

In Canada contact:
Poulan Pro
Customer Service Department
5855 Terry Fox Way
Mississauga, Ontario L5V 3E4

giving the model number, serial number and date of purchase of your product and the name and address of the authorized dealer from whom it was purchased.

THIS WARRANTY DOES NOT APPLY TO INCIDENTAL OR CONSEQUENTIAL DAMAGES AND ANY IMPLIED WARRANTIES ARE LIMITED TO THE SAME TIME PERIODS STATED HEREIN FOR OUR EXPRESSED WARRANTIES.

Some areas do not allow the limitation of consequential damages or limitations of how long an implied Warranty may last, so the above limitations or exclusions may not apply to you. This Warranty gives you specific legal rights, and you may have other rights which vary from locale to locale.

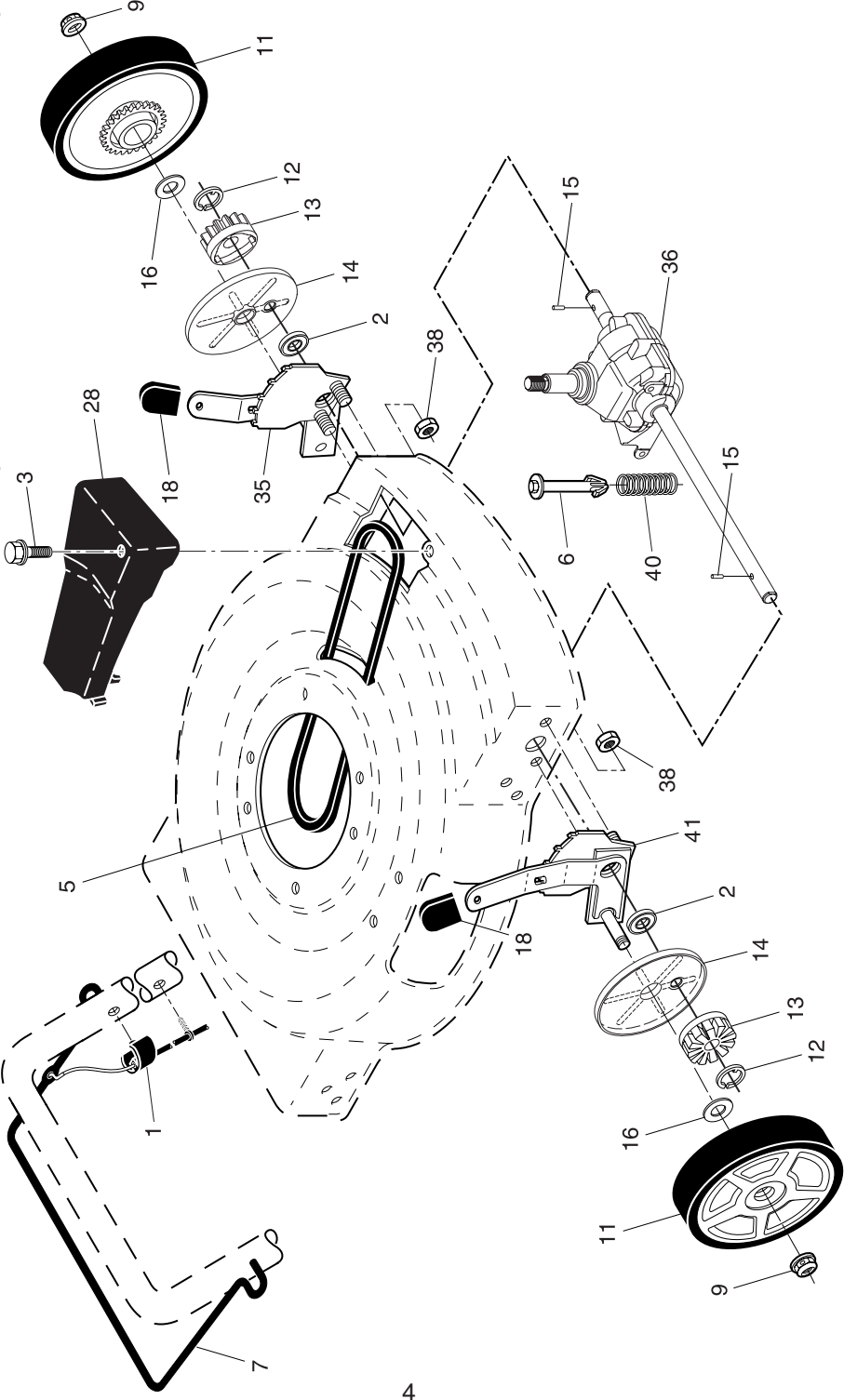
This is a limited Warranty within the meaning of that term as defined in the Magnuson-Moss Act of 1975.

ROTARY LAWN MOWER -- MODEL NUMBER PR625Y22SHP (MFG. ID. NUMBER 96122002100)

KEY NO.	PART NO.	DESCRIPTION	KEY NO.	PART NO.	DESCRIPTION	KEY NO.	PART NO.	DESCRIPTION
1	194203X479	Upper Handle	31	701037X421	Knob, Selector	54	88348	Washer, Flat
2	183567	Engine Zone Control Cable	32	401621X004	Spring, Selector	55	188839X004	Mounting Bracket, Debris Shield
3	750634	Screw	33	151889	Mulcher Door	56	750097	Screw, Hex Washer Head #10-24 x 1/2
4	850733X004	Bracket, Upstop	34	401629	Spacer	57	51793	Hairpin Cotter
5	66426	Wire Tie	35	407501X005	Bracket, Wheel Adjuster	58	151590X479	Lower Handle
6	189713X428	Handle Knob	36	154132	Bracket, Housing	59	191574	Handle Bolt
8	194199X421	Control Bar	38	176509	Deflector, Discharge	60	74760612	Bolt
9	153282X479	Support Bracket, Handle, LH	39	193248X479	Support Bracket, LH	61	73930600	Locknut
10	170345X479	Handle Bracket, RH	40	193247X479	Support Bracket, RH	62	405843	Debris Shield
11	153350X479	Support Bracket, Handle, RH	41	150406	Screw, Hex Head, Threaded, Rolled 3/8-16 x 1-1/8	63	192325	Screw
12	170346X479	Handle Bracket, LH	42	152124	Spring, Torsion	64	---	Engine, Briggs & Stratton, Model Number 122T02-1207-EA (For engine service and replacement parts, call Briggs & Stratton at 1-800-233-3723)
14	149741	Screw, Thread Cutting 5/16-18 x 3/4	43	73800400	Locknut, Hex			O-Ring
16	17060410	Screw	44	412210	Kit, Lawn Mower Housing (Includes Key Number 46)			Clip, Cable
17	165175X479	Support Rod	45	147286	Rod, Hinge			Warning Decal (not shown)
18	132004	Locknut, Keps	46	189179	Blade Adapter / Pulley			Operator's Manual, English
19	194788	Rope Guide	47	406713	Blade, 22"			Operator's Manual, French
20	413160	Rear Skirt	48	851074	Washer, Hardened			Repair Parts Manual
24	192301X004	Clamp, Rear Skirt	49	850263	Washer, Lock, Helical	67	197480	
25	409149	Locknut, Hex 3/18-16	50	851084	Screw, Hex Head, Grade 8 3/8-24 x 1-3/8	72	197991	
27	195012X421	Wheel & Tire Assembly				--	404764	
28	174719	Shoulder Bolt				--	193733	
29	401630	Washer, Curved, Cylindrical	52	404763	Decal, Danger	--	193736	
30	401180X004	Axle Arm Assembly				--	424582	

NOTE: All component dimensions given in U.S. inches. 1 inch = 25.4 mm. **IMPORTANT:** Use only Original Equipment Manufacturer (O.E.M.) replacement parts. Failure to do so could be hazardous, damage your lawn mower and void your warranty.

ROTARY LAWN MOWER -- MODEL NUMBER PR625Y22SHP (MFG. ID. NUMBER 96122002100)



4

ROTARY LAWN MOWER -- MODEL NUMBER PR625Y22SHP (MFG. ID. NUMBER 96122002100)

KEY NO.	PART NO.	DESCRIPTION	KEY NO.	PART NO.	DESCRIPTION
1	194653	Drive Control Cable Assembly	15	404845	Pawl, Drive
2	191039	Bearing, Wheel Adjuster	16	67725	Washer
3	143603	Pan Head Tapping Screw #10-24 x 2-3/4	18	701037X421	Selector Knob
4	146527	V-Belt	28	194398X428	Drive Cover
5	150495	Spring Retainer	35	408862	Kit, Wheel Adjuster, LH (Includes Knob and Bearing)
6	194185X421	Control Bar, Drive	36	415226	Gear Case Assembly, Complete
7	409148	Locknut, Hex	38	73800400	Locknut, Hex 1/4-20
8	193912X421	Wheel & Tire Assembly	40	137090	Spring
9	12000058	E-Ring	41	408861	Kit, Wheel Adjuster, RH (Includes Knob and Bearing)
10	403849	Pinion			
11	189403	Dust Cover			

5

NOTE: All component dimensions given in U.S. inches. 1 inch = 25.4 mm. **IMPORTANT:** Use only Original Equipment Manufacturer (O.E.M.) replacement parts. Failure to do so could be hazardous, damage your lawn mower and void your warranty.