

Installation

40" Roller Bar Mower Kit

Part No. 1687284

Instructions

For Baron & Rear Discharge Series Lawn Tractors

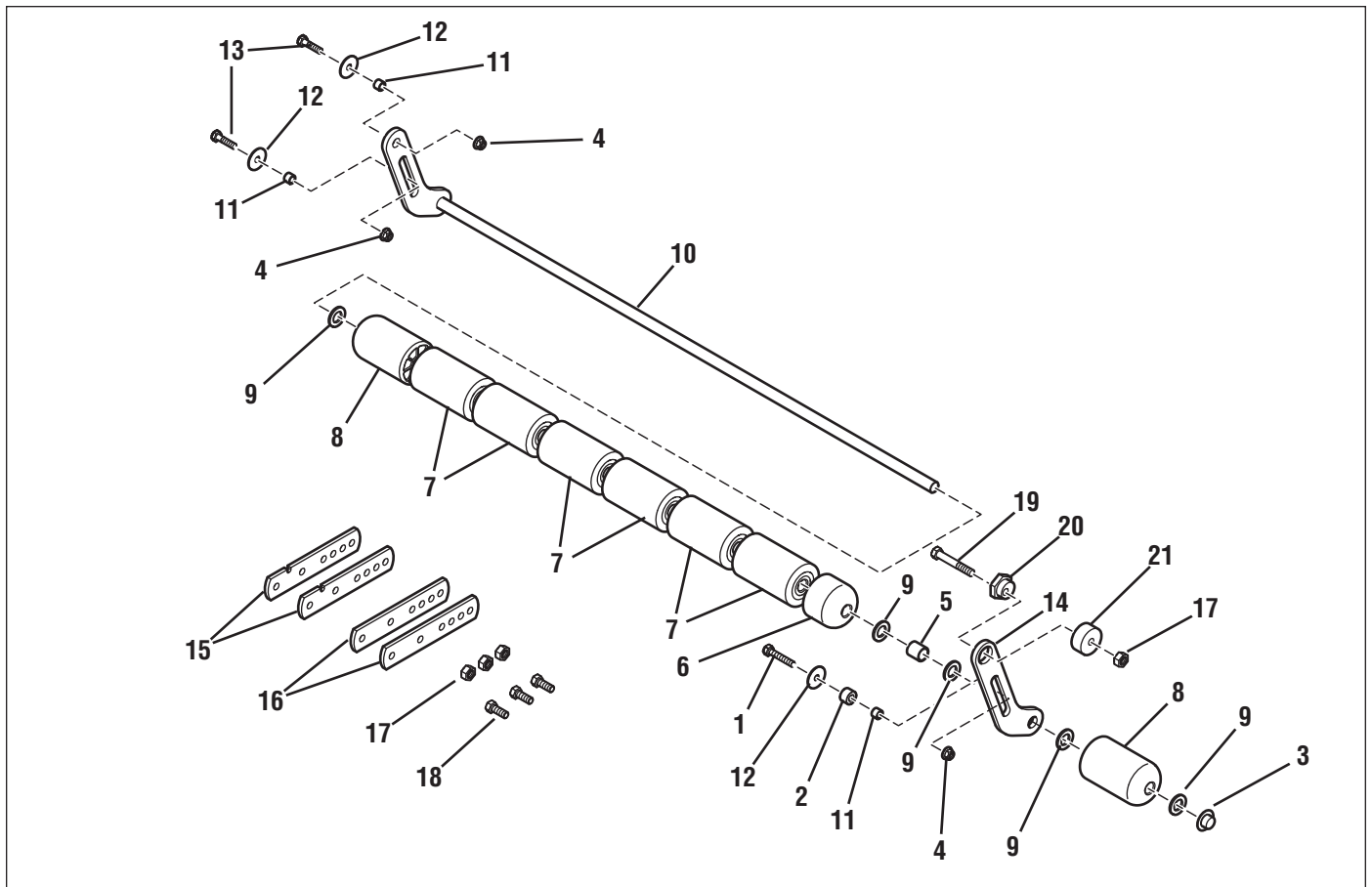


Figure 1. Kit Contents:

Ref	Part No.	Qty.	Description
1	1922127	1	Capscrew, 5/16-18 x 1-3/4
2	2157081	1	Spacer
3	1960520	1	Nut, push, 5/8, capped
4	2860643	3	Nut, lock, flanged, 5/16-18
5	1602946	1	Spacer
6	1717675	1	Roller, round end, 2.05 long
7	1668513	6	Roller, flat end, 4.1 long
8	1722036	2	Roller, round end, 4.1 long
9	1924366	5	Washer, flat, 5/8
10	1733081	1	Roller Shaft Assembly
11	1960236	3	Spacer
12	1960044	3	Washer, flat
13	1921977	2	Capscrew, 5/16-18 x 1-1/4
14	1734987A	1	Bar, roller
15	1735093	2	Bar, Extension (notched)
16	1735092	2	Bar, Extension
17	1960687	4	Nut, Lock, Flanged, 3/8-16
18	1923490	3	Capscrew, 3/8-16 x 1
19	1921972	1	Capscrew, 3/8-16 x 2
20	1704082	1	Adjusting Nut
21	1718762	1	Spacer

WARNING

Before beginning any service work turn off the PTO, set the parking brake, turn off the ignition, and disconnect the spark plug wire(s).

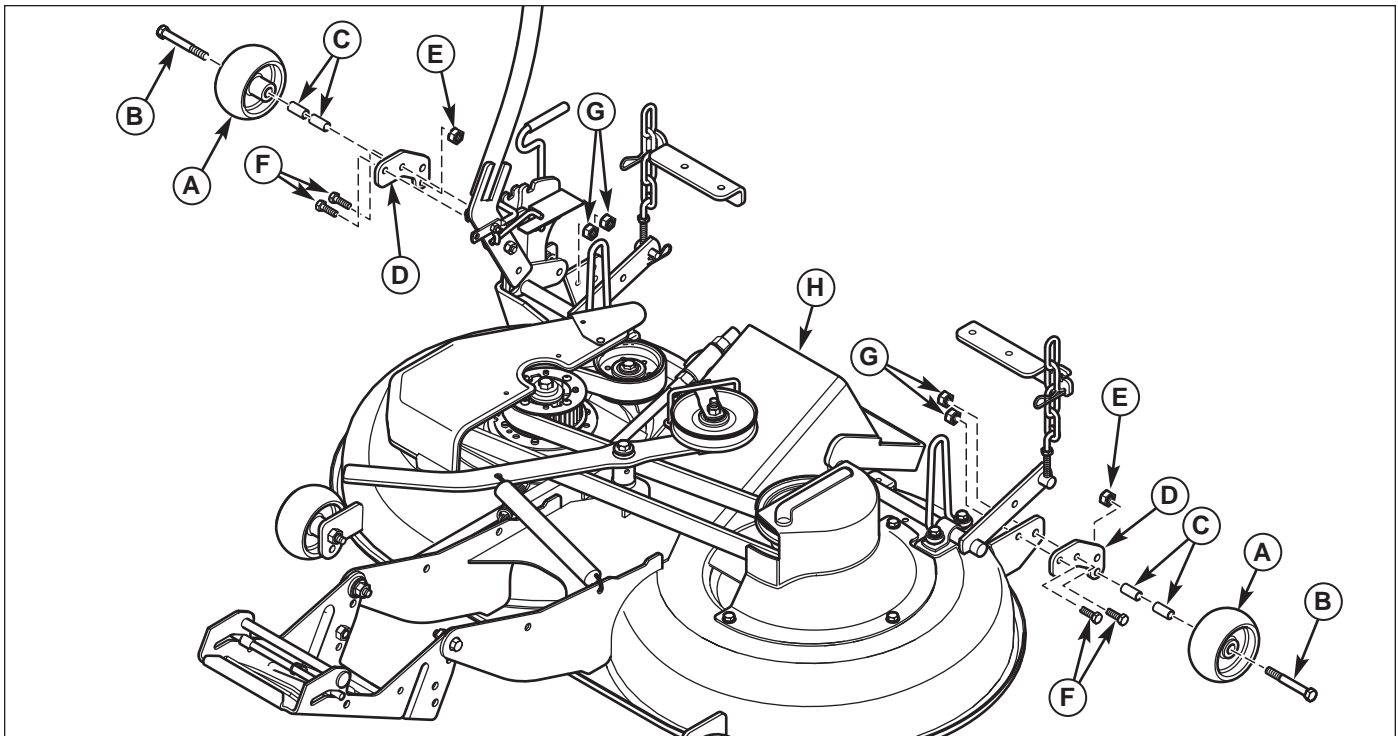


Figure 2. Anti-Scalp Gage Wheel Removal

- A. Gage Wheels
- B. Capscrews, Hex, 3/8-16 x 3
- C. Spacers
- D. Mounting Brackets

- E. Nuts, Security, Lock, 3/8-16
- F. Capscrews, Hex, 5/16-18 x 1
- G. Nut, Flanges, ESNA, 5/16-18
- H. Mower Deck

INSTALLATION

Removal of Anti-Scalp Gage Wheels

1. Park the tractor, and fully raise the attachment lift, turn off the PTO, turn off the engine, remove the key, and engage the parking brake.

2. Remove 5/16-18 x 1 cap screws (F, Figure 2), and 5/16-19 locknuts (G) securing gage wheels (A) and mounting brackets (D) to mower deck (H).

Install Bar Extensions

Note: Extension Bars (item 16, Figure 1) are for early production models, and have different mounting hole spacing. Extension bars with notches are for later production models.

1. Install new bar extensions (A, Figure 3), and secure them to the rocker shaft assembly (B) with 3/8-16 x 1 cap screws (C) and 3/8-16 flanged lock nuts (D). Tighten nuts to 40 ft lbs (54 Nm)

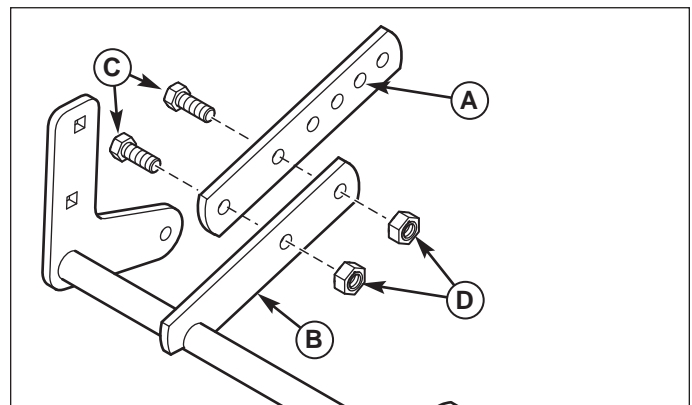
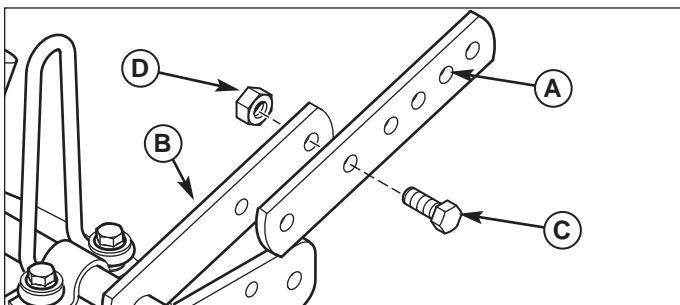


Figure 3. Install Bar Extensions

- A. Bar Extensions
- B. Rocker Shaft Assembly
- C. Capscrews, 3/8-16 x 1
- D. Nuts, lock, flanged, 3/8-16



Install Roller Shaft Assembly

1. Attach the roller bar assembly (A, Figure 4) to the left side of the rocker shaft assembly (B) using a 3/8-16 x 2-1/2 capscrew (C), adjusting nut (D), spacer (E), and 3/8-16 security locknut (F). Once roller bar assembly has been properly adjusted, tighten nut to 40 ft. lbs. (54 Nm)

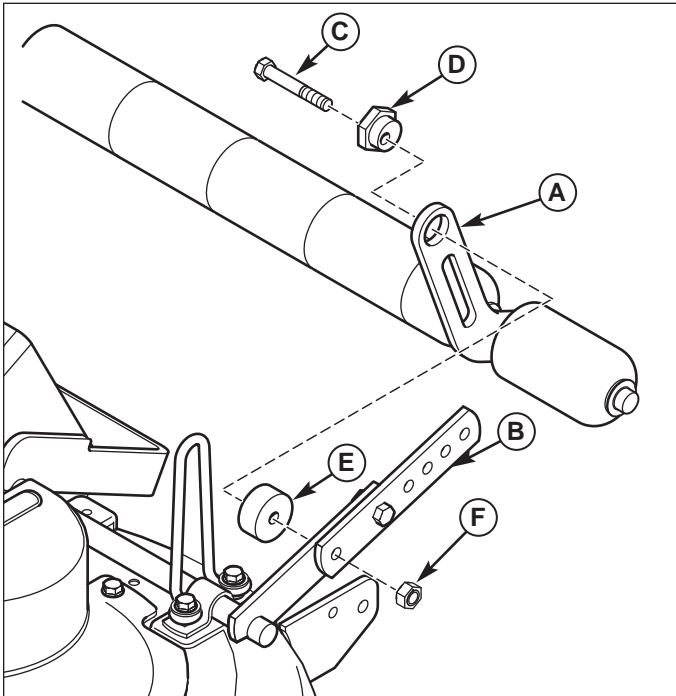


Figure 4. Install Roller Shaft Assembly

- A. Roller Shaft Assembly
- B. Rocker Shaft Assembly
- C. Capscrew, 3/8-16 x 2-1/2
- D. Adjusting nut
- E. Spacer
- F. Nut, lock, flanged 3/8-16

2. Attach the roller bar assembly (A, Figure 5) to the left side of the mower deck (B) using a 5/16-18 x 1-1/4 capscrew (C), 5/16 flat washer (D), spacer (E), and 5/16-18 flange locknut (F). Tighten nut to 11 ft. lbs. (15 Nm)

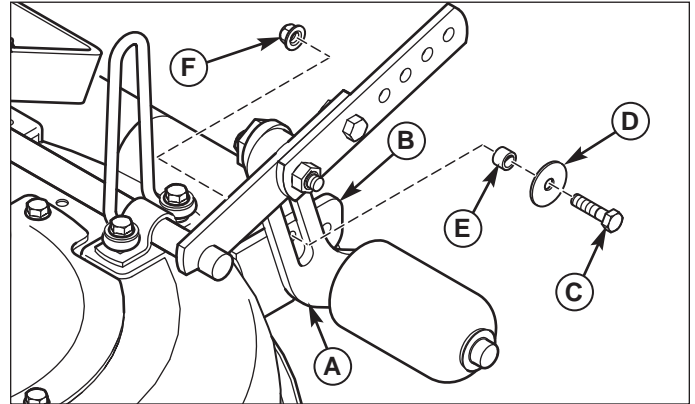


Figure 5. Attach Roller Bar to Mower Deck Left Side

- A. Roller Bar Assembly
- B. Mower deck
- C. Capscrew, 5/16-18 x 1-1/4
- D. Washer, flat, 5/16
- E. Spacer
- F. Nut, lock, flanged, 5/16-18

3. Attach the roller bar assembly (A, Figure 6) to the right side of the mower deck (B) using two 5/16-18 x 1-1/4 capscrews (C), two flat washers (D), two spacers, and two 5/16-18 flanged locknuts (E) as shown. Tighten nuts to 11 ft. lbs. (15 Nm)

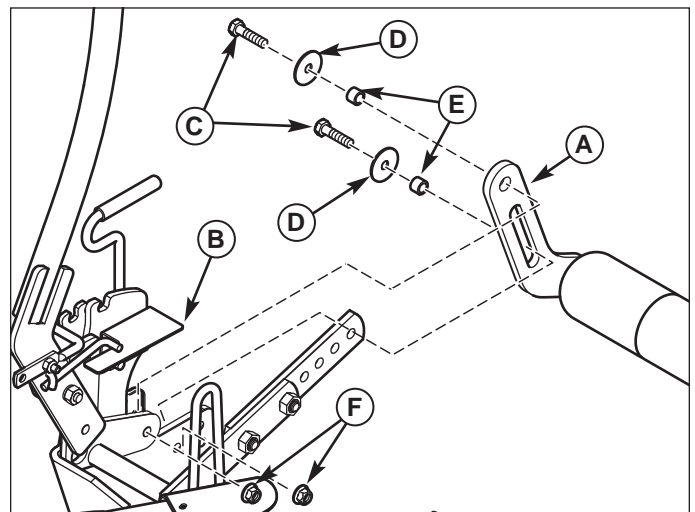


Figure 6. Attach Roller Bar to Mower Deck Right Side

- A. Roller Bar Assembly
- B. Mower deck
- C. Capscrews, 5/16-18 x 1-1/4
- D. Washers, flat, 5/16
- E. Spacers
- F. Nuts, lock, flanged, 5/16-18

Install Height Adjustment Trunnion

Note: Attaching the trunnion to the inner hole provides lift operation with minimal effort, but with average below surface operation. Attaching the trunnion to the outer hole provides maximum below surface roller travel, but with greater effort for operation.

1. Attach height adjust trunnion (A, Figure 7) to bar extension (B) and secure in place with the hair pin clip (C). Re-attach the 4-link chain (D) to hangers on the frame as before using only three links.
3. Repeat step 2 for opposite side of mower.

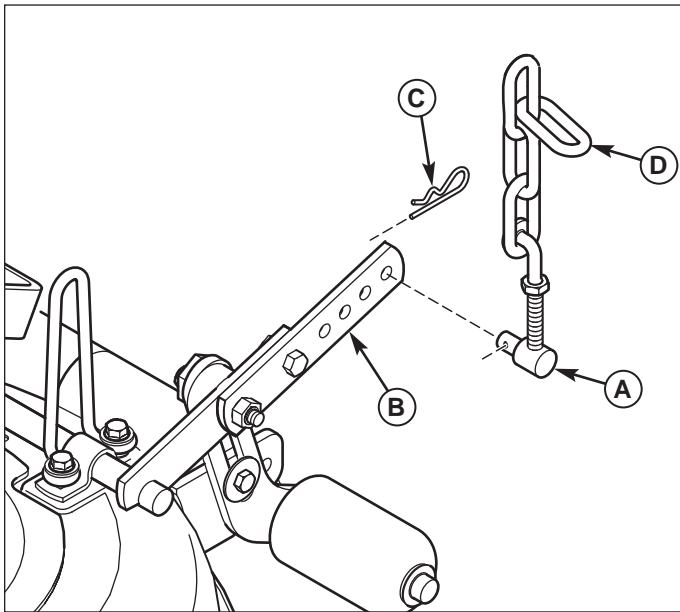


Figure 7. Install Height Adjustment Trunnion

- A. Trunnion, Height Adjustment**
- B. Extension, Bar**
- C. Clip, hair pin**
- D. Chain, 4-Links**

Simplicity

MANUFACTURING, INC.

500 N Spring Street / PO Box 997
Port Washington, WI 53074-0997 USA

Form No. 1733901

Revision: 02

TP 200-4519-02-SK-N

Briggs & Stratton Yard Power Products Group
Copyright © 2007 Briggs & Stratton Corporation
Milwaukee, WI USA. All Rights Reserved