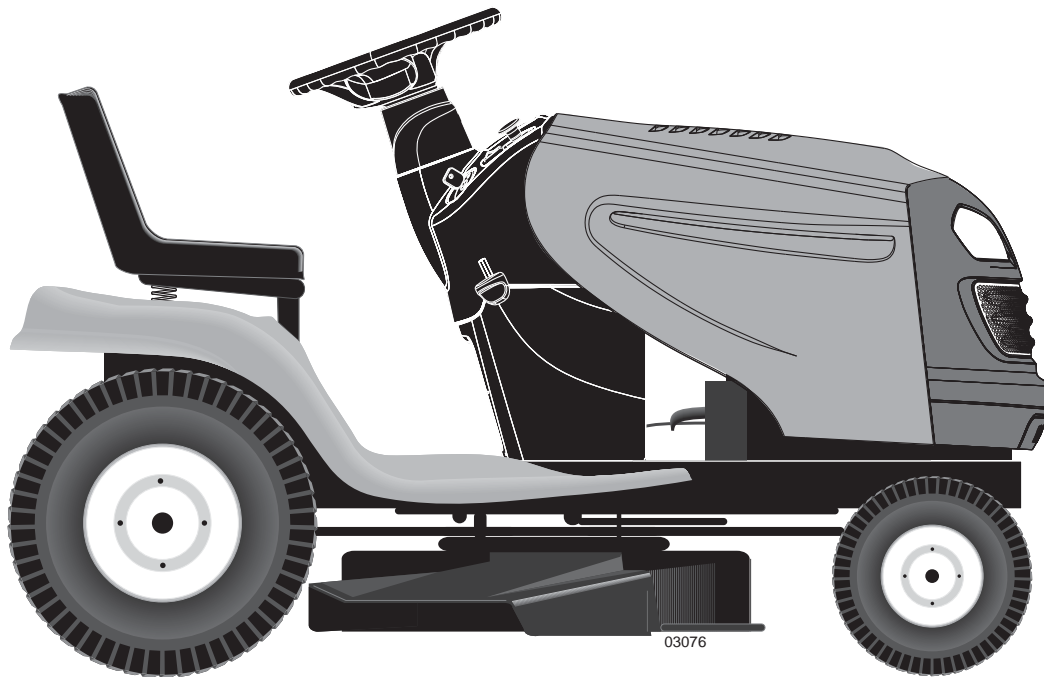


IMPORTANT MANUAL

DO NOT THROW AWAY

Poulan PRO



OPERATOR'S MANUAL

MODEL:

PPH23B48

LAWN TRACTOR

ALWAYS WEAR EYE PROTECTION DURING OPERATION

Visit our website: www.poulan-pro.com

⚠ WARNING:

Read this Manual and follow all Warnings and Safety Instructions. Failure to do so can result in serious injury.



SAFETY RULES



Safe Operation Practices for Ride-On Mowers

DANGER: THIS CUTTING MACHINE IS CAPABLE OF AMPUTATING HANDS AND FEET AND THROWING OBJECTS. FAILURE TO OBSERVE THE FOLLOWING SAFETY INSTRUCTIONS COULD RESULT IN SERIOUS INJURY OR DEATH.



WARNING: In order to prevent accidental starting when setting up, transporting, adjusting or making repairs, always disconnect spark plug wire and place wire where it cannot contact spark plug.



WARNING: Do not coast down a hill in neutral, you may lose control of the tractor.



WARNING: Tow only the attachments that are recommended by and comply with specifications of the manufacturer of your tractor. Use common sense when towing. Operate only at the lowest possible speed when on a slope. Too heavy of a load, while on a slope, is dangerous. Tires can lose traction with the ground and cause you to lose control of your tractor.



WARNING



Engine exhaust, some of its constituents, and certain vehicle components contain or emit chemicals known to the State of California to cause cancer and birth defects or other reproductive harm.



WARNING



Battery posts, terminals and related accessories contain lead and lead compounds, chemicals known to the State of California to cause cancer and birth defects or other reproductive harm. Wash hands after handling.

I. GENERAL OPERATION

- Read, understand, and follow all instructions on the machine and in the manual before starting.
- Do not put hands or feet near rotating parts or under the machine. Keep clear of the discharge opening at all times.
- Only allow responsible adults, who are familiar with the instructions, to operate the machine.
- Clear the area of objects such as rocks, toys, wire, etc., which could be picked up and thrown by the blades.
- Be sure the area is clear of bystanders before operating. Stop machine if anyone enters the area.
- Never carry passengers.
- Do not mow in reverse unless absolutely necessary. Always look down and behind before and while backing.
- Never direct discharged material toward anyone. Avoid discharging material against a wall or obstruction. Material may ricochet back toward the operator. Stop the blades when crossing gravel surfaces.
- Do not operate machine without the entire grass catcher, discharge guard, or other safety devices in place and working.

- Slow down before turning.
- Never leave a running machine unattended. Always turn off blades, set parking brake, stop engine, and remove keys before dismounting.
- Disengage blades when not mowing. Shut off engine and wait for all parts to come to a complete stop before cleaning the machine, removing the grass catcher, or unclogging the discharge guard.
- Operate machine only in daylight or good artificial light.
- Do not operate the machine while under the influence of alcohol or drugs.
- Watch for traffic when operating near or crossing roadways.
- Use extra care when loading or unloading the machine into a trailer or truck.
- Always wear eye protection when operating machine.
- Data indicates that operators, age 60 years and above, are involved in a large percentage of riding mower-related injuries. These operators should evaluate their ability to operate the riding mower safely enough to protect themselves and others from serious injury.
- Follow the manufacturer's recommendation for wheel weights or counterweights.
- Keep machine free of grass, leaves or other debris build-up which can touch hot exhaust/engine parts and burn. Do not allow the mower deck to plow leaves or other debris which can cause build-up to occur. Clean any oil or fuel spillage before operating or storing the machine. Allow machine to cool before storage.

II. SLOPE OPERATION

Slopes are a major factor related to loss of control and tip-over accidents, which can result in severe injury or death. Operation on all slopes requires extra caution. If you cannot back up the slope or if you feel uneasy on it, do not mow it.

- Mow up and down slopes, not across.
- Watch for holes, ruts, bumps, rocks, or other hidden objects. Uneven terrain could overturn the machine. Tall grass can hide obstacles.
- Choose a low ground speed so that you will not have to stop or shift while on the slope.
- Do not mow on wet grass. Tires may lose traction. Always keep the machine in gear when going down slopes. Do not shift to neutral and coast downhill.
- Avoid starting, stopping, or turning on a slope. If the tires lose traction, disengage the blades and proceed slowly straight down the slope.
- Keep all movement on the slopes slow and gradual. Do not make sudden changes in speed or direction, which could cause the machine to roll over.
- Use extra care while operating machine with grass catchers or other attachments; they can affect the stability of the machine. Do no use on steep slopes.
- Do not try to stabilize the machine by putting your foot on the ground.
- Do not mow near drop-offs, ditches, or embankments. The machine could suddenly roll over if a wheel is over the edge or if the edge caves in.



SAFETY RULES

Safe Operation Practices for Ride-On Mowers



III. CHILDREN

Tragic accidents can occur if the operator is not alert to the presence of children. Children are often attracted to the machine and the mowing activity. *Never* assume that children will remain where you last saw them.

- Keep children out of the mowing area and in the watchful care of a responsible adult other than the operator.
- Be alert and turn machine off if a child enters the area.
- Before and while backing, look behind and down for small children.
- Never carry children, even with the blades shut off. They may fall off and be seriously injured or interfere with safe machine operation. Children who have been given rides in the past may suddenly appear in the mowing area for another ride and be run over or backed over by the machine.
- Never allow children to operate the machine.
- Use extra care when approaching blind corners, shrubs, trees, or other objects that may block your view of a child.

IV. TOWING

- Tow only with a machine that has a hitch designed for towing. Do not attach towed equipment except at the hitch point.
- Follow the manufacturer's recommendation for weight limits for towed equipment and towing on slopes.
- Never allow children or others in or on towed equipment.
- On slopes, the weight of the towed equipment may cause loss of traction and loss of control.
- Travel slowly and allow extra distance to stop.

V. SERVICE

SAFE HANDLING OF GASOLINE

To avoid personal injury or property damage, use extreme care in handling gasoline. Gasoline is extremely flammable and the vapors are explosive.

- Extinguish all cigarettes, cigars, pipes, and other sources of ignition.
- Use only approved gasoline container.
- Never remove gas cap or add fuel with the engine running. Allow engine to cool before refueling.
- Never fuel the machine indoors.
- Never store the machine or fuel container where there is an open flame, spark, or pilot light such as on a water heater or other appliances.
- Never fill containers inside a vehicle or on a truck or trailer bed with plastic liner. Always place containers on the ground away from your vehicle when filling.
- Remove gas-powered equipment from the truck or trailer and refuel it on the ground. If this is not possible, then refuel such equipment with a portable container, rather than from a gasoline dispenser nozzle.
- Keep the nozzle in contact with the rim of the fuel tank or container opening at all times until fueling is complete. Do not use a nozzle lock-open device.

- If fuel is spilled on clothing, change clothing immediately.
- Never overfill fuel tank. Replace gas cap and tighten securely.

GENERAL SERVICE

- Never operate machine in a closed area.
- Keep all nuts and bolts tight to be sure the equipment is in safe working condition.
- Never tamper with safety devices. Check their proper operation regularly.
- Keep machine free of grass, leaves, or other debris build-up. Clean oil or fuel spillage and remove any fuel-soaked debris. Allow machine to cool before storing.
- If you strike a foreign object, stop and inspect the machine. Repair, if necessary, before restarting.
- Never make any adjustments or repairs with the engine running.
- Check grass catcher components and the discharge guard frequently and replace with manufacturer's recommended parts, when necessary.
- Mower blades are sharp. Wrap the blade or wear gloves, and use extra caution when servicing them.
- Check brake operation frequently. Adjust and service as required.
- Maintain or replace safety and instruction labels, as necessary.



- Be sure the area is clear of bystanders before operating. Stop machine if anyone enters the area.
- Never carry passengers.
- Do not mow in reverse unless absolutely necessary. Always look down and behind before and while backing.
- Never carry children, even with the blades shut off. They may fall off and be seriously injured or interfere with safe machine operation. Children who have been given rides in the past may suddenly appear in the mowing area for another ride and be run over or backed over by the machine.
- Keep children out of the mowing area and in the watchful care of a responsible adult other than the operator.
- Be alert and turn machine off if a child enters the area.
- Before and while backing, look behind and down for small children.
- Mow up and down slopes (15° Max), not across.
- Choose a low ground speed so that you will not have to stop or shift while on the slope.
- Avoid starting, stopping, or turning on a slope. If the tires lose traction, disengage the blades and proceed slowly straight down the slope.
- If machine stops while going uphill, disengage blades, shift into reverse and back down slowly.
- Do not turn on slopes unless necessary, and then, turn slowly and gradually downhill, if possible.

PRODUCT SPECIFICATIONS

Gasoline Capacity and type:	3 Gallons Unleaded Regular
Oil Type (API-SG-SL):	SAE 30 (above 32°F) SAE 5W-30 (below 32°F)
Oil Capacity:	W/ Filter: 64 oz W/O Filter: 60 oz.
Spark Plug:	Champion QC12YC (Gap: .040")
Ground Speed (MPH):	Forward: 0 - 5.5 Reverse: 0 - 2.4
Charging System:	16 Amp @ 3600 RPM
Battery:	AMP/HR: 28 MIN. CCA: 230 Case Size: U1R
Blade Bolt Torque:	45-55 FT. LBS.

CONGRATULATIONS on your purchase of a new tractor. It has been designed, engineered and manufactured to give you the best possible dependability and performance.

Should you experience any problem you cannot easily remedy, please contact your nearest authorized servicecenter/department. We have competent, well-trained technicians and the proper tools to service or repair this tractor.

Please read and retain this manual. The instructions will enable you to assemble and maintain your tractor properly. Always observe the "SAFETY RULES".

CUSTOMER RESPONSIBILITIES

- Read and observe the safety rules.
- Follow a regular schedule in maintaining, caring for and using your tractor.
- Follow the instructions under "Maintenance" and "Storage" sections of this owner's manual.

WARNING: This tractor is equipped with an internal combustion engine and should not be used on or near any unimproved forest-covered, brush-covered or grass-covered land unless the engine's exhaust system is equipped with a spark arrester meeting applicable local or state laws (if any). If a spark arrester is used, it should be maintained in effective working order by the operator.

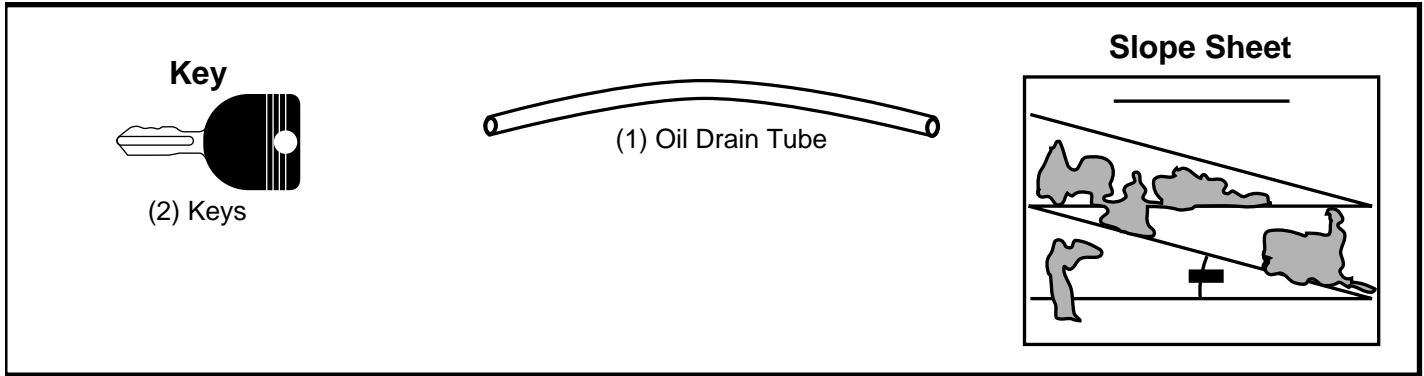
In the state of California the above is required by law (Section 4442 of the California Public Resources Code). Other states may have similar laws. Federal laws apply on federal lands.

A spark arrester for the muffler is available through your nearest authorized service center/department (See REPAIR PARTS section of this manual).

TABLE OF CONTENTS

SAFETY RULES	2	MAINTENANCE SCHEDULE	14
PRODUCT SPECIFICATIONS.....	4	MAINTENANCE	14
CUSTOMER RESPONSIBILITIES.....	4	SERVICE AND ADJUSTMENTS	18
ASSEMBLY	5	STORAGE.....	25
OPERATION	7	TROUBLESHOOTING	26

UNASSEMBLED PARTS



ASSEMBLY

Your new tractor has been assembled at the factory with the exception of those parts left unassembled for shipping purposes.

TOOLS REQUIRED FOR ASSEMBLY

A socket wrench set will make assembly easier. Standard wrench sizes are listed.

- | | |
|--------------------|---------------------|
| (1) 1/2" wrench | Tire pressure gauge |
| (2) 7/16" wrenches | Utility knife |
| | Pliers |

When right or left hand is mentioned in this manual, it means when you are in the operating position (seated behind the steering wheel).

TO REMOVE TRACTOR FROM CARTON

UNPACK CARTON

- Remove all accessible loose parts and parts cartons from carton .
- Cut along dotted lines on all four panels of carton. Remove end panels and lay side panels flat.
- Check for any additional loose parts or cartons and remove.

BEFORE REMOVING TRACTOR FROM SKID

TO ADJUST SEAT (See Fig. 1):

- Grasp adjustment handle(A) and pull up, slide seat to desired position and release adjustment handle.

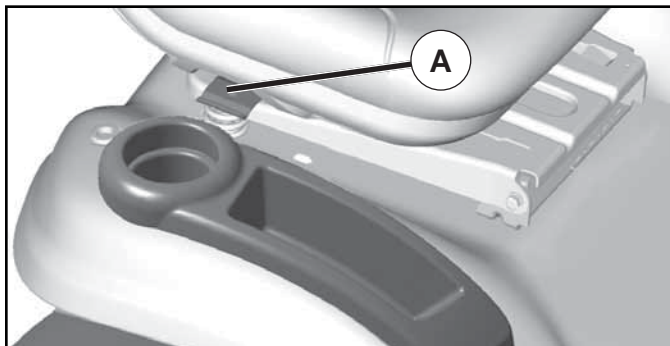


Fig. 1

TO CHECK BATTERY (See Fig. 2)

- Lift hood to raised position.

NOTE: If this battery is put into service after month and year indicated on label (label is located between terminals) charge battery for minimum of one hour at 6-10 amps. (See "BATTERY" in Maintenance section of this manual for charging instructions).

- For battery and battery cable installation see "RE-PLACING BATTERY" in the "Service and Adjustments" section in this manual.

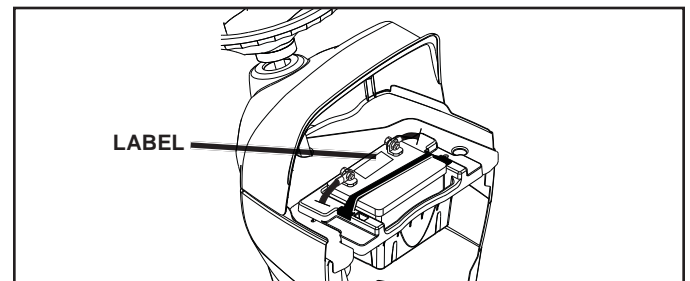


Fig. 2

NOTE: You may now roll your tractor off the skid. Follow the instructions below to remove the tractor from the skid.

⚠ WARNING: Before starting, read, understand and follow all instructions in the Operation section of this manual. Be sure tractor is in a well-ventilated area. Be sure the area in front of tractor is clear of other people and objects.

TO ROLL TRACTOR OFF SKID (See Operation section for location and function of controls)

- Raise attachment lift lever to its highest position.
- Release parking brake by depressing clutch/brake pedal.
- Place freewheel control in "transmission disengaged" position (See "TO TRANSPORT" in the Operation section of this manual).
- Roll tractor forward off skid.
- Remove banding holding the deflector shield up against tractor.

Continue with the instructions that follow.

ASSEMBLY

CHECK TIRE PRESSURE

The tires on your tractor were overinflated at the factory for shipping purposes. Correct tire pressure is important for best cutting performance.

- Reduce tire pressure to PSI shown on tires.

CHECK DECK LEVELNESS

For best cutting results, mower housing should be properly leveled. See "TO LEVEL MOWER HOUSING" in the Service and Adjustments section of this manual.

CHECK FOR PROPER POSITION OF ALL BELTS

See the figures that are shown for replacing motion and mower blade drive belts in the Service and Adjustments section of this manual. Verify that the belts are routed correctly.

CHECK BRAKE SYSTEM

After you learn how to operate your tractor, check to see that the brake is operating properly. See "TO CHECK BRAKE" in the Service and Adjustments section of this manual.

✓ CHECKLIST

BEFORE YOU OPERATE YOUR NEW TRACTOR, WE WISH TO ASSURE THAT YOU RECEIVE THE BEST PERFORMANCE AND SATISFACTION FROM THIS QUALITY PRODUCT.

PLEASE REVIEW THE FOLLOWING CHECKLIST:

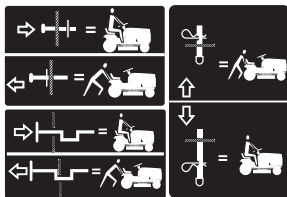
- ✓ All assembly instructions have been completed.
- ✓ No remaining loose parts in carton.
- ✓ Battery is properly prepared and charged.
- ✓ Seat is adjusted comfortably and tightened securely.
- ✓ All tires are properly inflated. (For shipping purposes, the tires were overinflated at the factory).
- ✓ Be sure mower deck is properly leveled side-to-side/front-to-rear for best cutting results. (Tires must be properly inflated for leveling).
- ✓ Check mower and drive belts. Be sure they are routed properly around pulleys and inside all belt keepers.
- ✓ Check wiring. See that all connections are still secure and wires are properly clamped.
- ✓ Before driving tractor, be sure freewheel control is in "transmission engaged" position (see "TO TRANSPORT" in the Operation section of this manual).

WHILE LEARNING HOW TO USE YOUR TRACTOR, PAY EXTRA ATTENTION TO THE FOLLOWING IMPORTANT ITEMS:

- ✓ Engine oil is at proper level.
- ✓ Fuel tank is filled with fresh, clean, regular unleaded gasoline.
- ✓ Become familiar with all controls, their location and function. Operate them before you start the engine.
- ✓ Be sure brake system is in safe operating condition.
- ✓ Be sure Operator Presence System and Reverse Operation System (ROS) are working properly (See the Operation and Maintenance sections in this manual).
- ✓ It is important to purge the transmission before operating your tractor for the first time. Follow proper starting and transmission purging instructions (See "TO START ENGINE" and "PURGE TRANSMISSION" in the Operation section of this manual).

OPERATION

These symbols may appear on your tractor or in literature supplied with the product. Learn and understand their meaning.



FREE WHEEL
(Automatic Models only)



Failure to follow instructions could result in serious injury or death. The safety alert symbol is used to identify safety information about hazards which can result in death, serious injury and/or property damage.



DANGER indicates a hazard which, if not avoided, will result in death or serious injury.



WARNING indicates a hazard which, if not avoided, could result in death or serious injury.



CAUTION indicates a hazard which, if not avoided, might result in minor or moderate injury.

CAUTION when used **without** the alert symbol, indicates a situation that **could result in damage to the tractor and/or engine.**



HOT SURFACES indicates a hazard which, if not avoided, could result in death, serious injury and/or property damage.



FIRE indicates a hazard which, if not avoided, could result in death, serious injury and/or property damage.

OPERATION

KNOW YOUR TRACTOR

READ THIS OWNER'S MANUAL AND SAFETY RULES BEFORE OPERATING YOUR TRACTOR

Compare the illustrations with your tractor to familiarize yourself with the locations of various controls and adjustments. Save this manual for future reference.

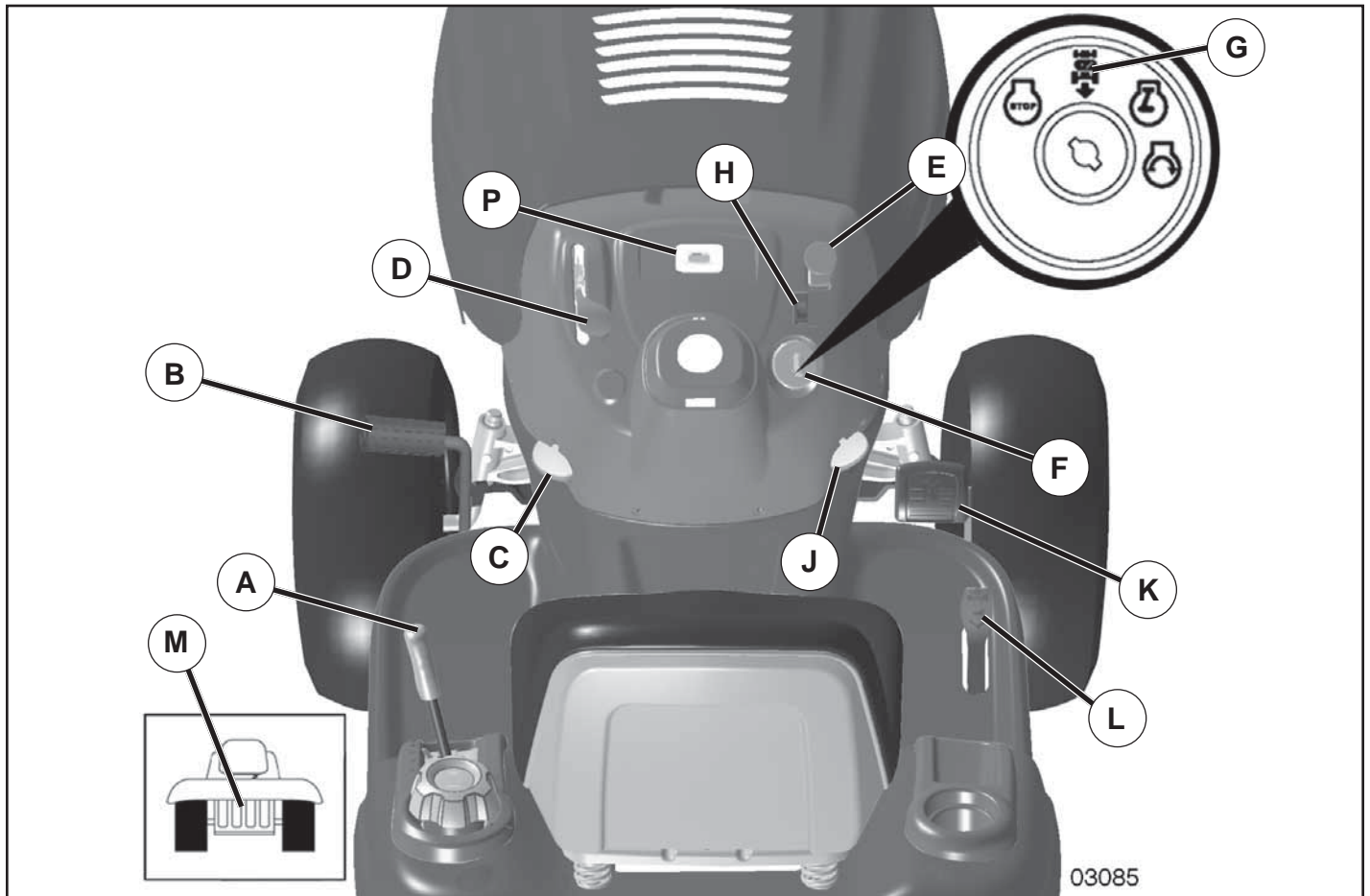


Fig. 3

Our tractors conform to the applicable safety standards of the American National Standards Institute.

(A) ATTACHMENT LIFT LEVER - Used to raise and lower the mower or other attachments mounted to your tractor.

(B) CLUTCH/BRAKE PEDAL - Used for braking the tractor and starting the engine.

(C) PARKING BRAKE - Locks clutch/brake pedal into the brake position.

(D) THROTTLE CONTROL - Used to control engine speed.

(E) ATTACHMENT CLUTCH SWITCH - Used to engage the mower blades or other attachments mounted to your tractor.

(F) IGNITION SWITCH - Used for starting and stopping the engine.

(G) REVERSE OPERATION SYSTEM (ROS) "ON" POSITION - Allows operation of mower or other powered attachment while in reverse.

(H) LIGHT SWITCH - Turns the headlights on and off.

(J) CRUISE CONTROL LEVER - Used to set forward movement of tractor at desired speed without holding the forward drive pedal.

(K) FORWARD DRIVE PEDAL - Used for forward movement of tractor.

(L) REVERSE DRIVE PEDAL - Used for reverse movement of tractor.

(M) FREEWHEEL CONTROL - Disengages transmission for pushing or slowly towing the tractor with the engine off.

(P) SERVICE REMINDER / HOUR METER - Indicates when service is required for the engine and mower.

OPERATION



The operation of any tractor can result in foreign objects thrown into the eyes, which can result in severe eye damage. Always wear safety glasses or eye shields while operating your tractor or performing any adjustments or repairs. We recommend standard safety glasses or a wide vision safety mask worn over spectacles.

HOW TO USE YOUR TRACTOR

TO SET PARKING BRAKE (See Fig. 4)

Your tractor is equipped with an operator presence sensing switch. When engine is running, any attempt by the operator to leave the seat without first setting the parking brake will shut off the engine.

- Depress brake pedal (B) all the way down and hold.
- Pull parking brake lever (C) up and hold, release pressure from brake pedal (B), then release parking brake lever. Pedal should remain in brake position. Make sure parking brake will hold tractor secure.

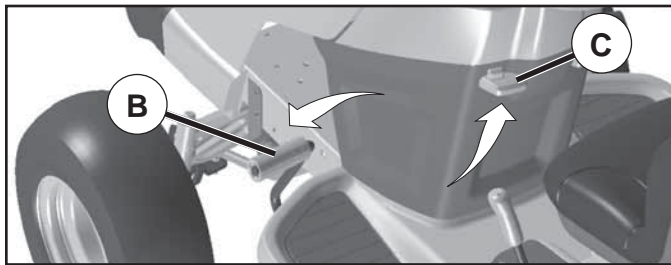


Fig. 4

STOPPING (See Fig. 5)

MOWER BLADES -

- To stop mower blades, place attachment clutch control in the "DISENGAGED" position (⚙️).



(⚙️) ATTACHMENT CLUTCH SWITCH "DISENGAGED"

(⚙️) ATTACHMENT CLUTCH SWITCH "ENGAGED"

Fig. 5

GROUND DRIVE -

- To stop ground drive, depress brake pedal into full "BRAKE" position.

IMPORTANT: FORWARD AND REVERSE DRIVE PEDALS RETURN TO NEUTRAL POSITION WHEN NOT DEPRESSED.

ENGINE -

- Move throttle control (D) between half and full speed (fast) position.

NOTE: Failure to move throttle control between half and full speed (fast) position, before stopping may cause engine to "backfire".

- Turn ignition key (F) to "STOP" position and remove key. Always remove key when leaving tractor to prevent unauthorized use.
- Never use the choke to stop the engine.

IMPORTANT: LEAVING THE IGNITION SWITCH IN ANY POSITION OTHER THAN "STOP" WILL CAUSE THE BATTERY TO BE DISCHARGED, (DEAD).

NOTE: Under certain conditions when tractor is standing idle with the engine running, hot engine exhaust gases may cause "browning" of grass. To eliminate this possibility, always stop engine when stopping tractor on grass areas.



CAUTION: Always stop tractor completely, as described above, and set parking brake before leaving the operator's position.

TO USE THROTTLE CONTROL (D) (See Fig. 6)

Always operate engine at full speed (fast).

- Operating engine at less than full speed (fast) reduces the engine's operating efficiency.
- Full speed (fast) offers the best mower performance.

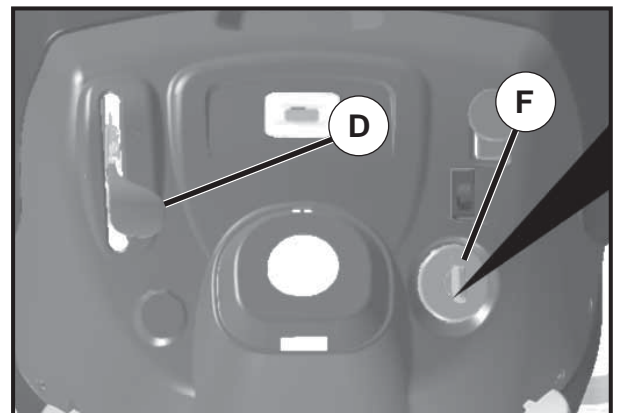


Fig. 6

OPERATION

TO MOVE FORWARD AND BACKWARD (See Fig. 7)

The direction and speed of movement is controlled by the forward and reverse drive pedals.

- Start tractor and release parking brake.
- Slowly depress forward (K) or reverse (L) drive pedal to begin movement. Ground speed increases the further down the pedal is depressed.

TO USE CRUISE CONTROL (J) (See Fig. 7)

The cruise control feature can be used for forward travel only.

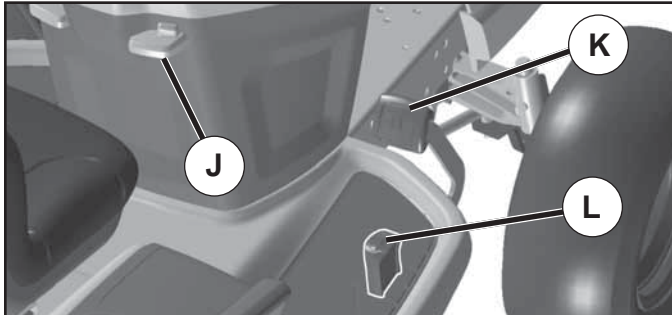


Fig. 7

SYSTEM CHARACTERISTICS

The cruise control should only be used while mowing or transporting on relatively smooth, straight surfaces. Other conditions such as trimming at slow speeds may cause the cruise control to disengage. Do not use the cruise control on slopes, rough terrain or while trimming or turning.

- With forward drive pedal depressed to desired speed, pull cruise control lever (J) up and hold while lifting your foot off the pedal, then release the lever.

To disengage the cruise control, depress the brake pedal or tap on forward drive pedal.

TO ADJUST MOWER CUTTING HEIGHT (See Fig. 8)

The position of the attachment lift lever (A) determines the cutting height.

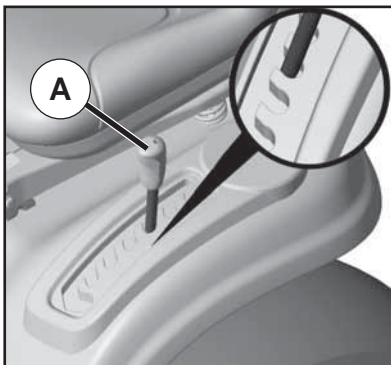


Fig. 8

- Put attachment lift lever in desired cutting height slot.

The cutting height range is approximately 1" to 4". The heights are measured from the ground to the blade tip with the engine not running. These heights are approximate and may vary depending upon soil conditions, height of grass and types of grass being mowed.

- The average lawn should be cut to approximately 2-1/2 inches during the cool season and to over 3 inches during hot months. For healthier and better looking lawns, mow often and after moderate growth.
- For best cutting performance, grass over 6 inches in height should be mowed twice. Make the first cut relatively high; the second to desired height.

TO ADJUST GAUGE WHEELS (See Fig. 9)

Gauge wheels are properly adjusted when they are slightly off the ground when mower is at the desired cutting height in operating position. Gauge wheels then keep the deck in proper position to help prevent scalping in most terrain conditions.

NOTE: Adjust gauge wheels with tractor on a flat level surface.

- Adjust mower to desired cutting height (See "TO ADJUST MOWER CUTTING HEIGHT" in the Operation section of this manual).
- With mower in desired height of cut position, gauge wheels should be assembled so they are slightly off the ground. Install gauge wheel in appropriate hole as shown and tighten securely.
- Repeat for opposite side installing gauge wheel in same adjustment hole.

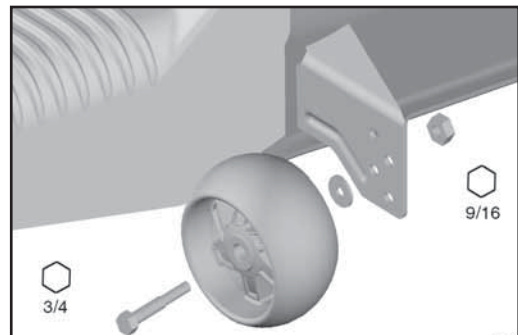


Fig. 9

TO STOP MOWER BLADES

- disengage attachment clutch control.



CAUTION: Do not operate the mower without either the entire grass catcher, on mowers so equipped, or the deflector shield (S) in place (See Fig. 10).

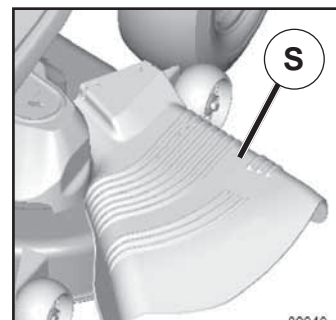


Fig. 10

OPERATION

TO OPERATE MOWER

Your tractor is equipped with an operator presence sensing switch. Any attempt by the operator to leave the seat with the engine running and the attachment clutch engaged will shut off the engine. You must remain fully and centrally positioned in the seat to prevent the engine from hesitating or cutting off when operating your equipment on rough, rolling terrain or hills.

- Select desired height of cut (see "TO ADJUST MOWER CUTTING HEIGHT")
- Start mower blades by engaging attachment clutch control.

REVERSE OPERATION SYSTEM (ROS)

Your tractor is equipped with a Reverse Operation System (ROS). Any attempt by the operator to travel in the reverse direction with the attachment clutch engaged will shut off the engine unless ignition key is placed in the ROS "ON" position.

⚠WARNING: Backing up with the attachment clutch engaged while mowing is strongly discouraged. Turning the ROS "ON", to allow reverse operation with the attachment clutch engaged, should only be done when the operator decides it is necessary to reposition the machine with the attachment engaged. **Do not mow in reverse unless absolutely necessary.**

USING THE REVERSE OPERATION SYSTEM (See Fig. 11)

Only use if you are certain no children or other bystanders will enter the mowing area.

- Depress brake pedal all the way down.
- With engine running, turn ignition key counterclockwise to ROS "ON" position.
- Look down and behind before and while backing.
- Slowly depress reverse drive pedal to start movement.
- When use of the ROS is no longer needed, turn the ignition key clockwise to engine "ON" position.

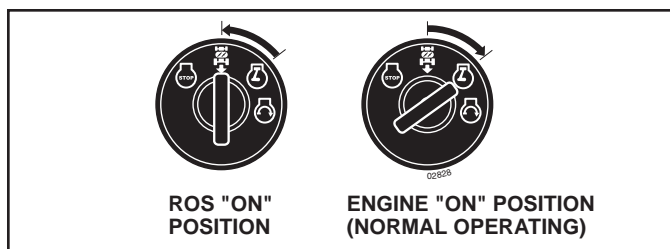


Fig. 11

SERVICE REMINDER/HOUR METER

Service reminder shows the total number of hours the engine has run and flashes to indicate that the engine or mower needs servicing. When service is required, the service reminder will flash for two hours. To service engine and mower, see the Maintenance section of this manual.

NOTE: Service reminder runs when the ignition key is in any position but "STOP". For accurate reading, be sure key remains in the "STOP" position when engine is not running.

TO OPERATE ON HILLS



CAUTION: Do not drive up or down hills with slopes greater than 15° and do not drive across any slope.

- Choose the slowest speed before starting up or down hills.
- Avoid stopping or changing speed on hills.
- If stopping is absolutely necessary, push brake pedal quickly to brake position and engage parking brake.
- To restart movement, slowly release parking brake and brake pedal.
- Slowly depress appropriate drive pedal to slowest setting.
- Make all turns slowly.

TO TRANSPORT (See Fig. 12)

When pushing or towing your tractor, be sure to disengage transmission by placing freewheel control in freewheeling position. Free wheel control is located at the rear drawbar of tractor.

- Raise attachment lift to highest position with attachment lift control.
- Pull freewheel control out and into the slot and release so it is held in the disengaged position.
- Do not push or tow tractor at more than two (2) MPH.
- To reengage transmission, reverse above procedure.

NOTE: To protect hood from damage when transporting your tractor on a truck or a trailer, be sure hood is closed and secured to tractor. Use an appropriate means of tying hood to tractor (rope, cord, etc.).

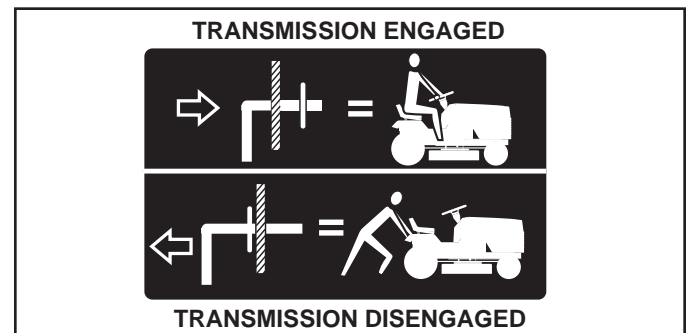


Fig. 12

TOWING CARTS AND OTHER ATTACHMENTS

Tow only the attachments that are recommended by and comply with specifications of the manufacturer of your tractor. Use common sense when towing. Too heavy of a load, while on a slope, is dangerous. Tires can lose traction with the ground and cause you to lose control of your tractor.

OPERATION

BEFORE STARTING THE ENGINE

CHECK ENGINE OIL LEVEL

The engine in your tractor has been shipped, from the factory, already filled with summer weight oil.

- Check engine oil with tractor on level ground.
- Remove oil fill cap/dipstick and wipe clean, reinsert the dipstick and screw cap tight, wait for a few seconds, remove and read oil level. If necessary, add oil until "FULL" mark on dipstick is reached. Do not overfill.
- For cold weather operation you should change oil for easier starting (See "OIL VISCOSITY CHART" in the Maintenance section of this manual).
- To change engine oil, see the Maintenance section in this manual.

ADD GASOLINE

- Fill fuel tank to bottom of filler neck. Do not overfill. Use fresh, clean, regular unleaded gasoline with a minimum of 87 octane. (Use of leaded gasoline will increase carbon and lead oxide deposits and reduce valve life). Do not mix oil with gasoline. Purchase fuel in quantities that can be used within 30 days to assure fuel freshness.



CAUTION: Wipe off any spilled oil or fuel. Do not store, spill or use gasoline near an open flame.

IMPORTANT: WHEN OPERATING IN TEMPERATURES BELOW 32°F (0°C), USE FRESH, CLEAN WINTER GRADE GASOLINE TO HELP ENSURE GOOD COLD WEATHER STARTING.

CAUTION: Alcohol blended fuels (called gasohol or using ethanol or methanol) can attract moisture which leads to separation and formation of acids during storage. Acidic gas can damage the fuel system of an engine while in storage. To avoid engine problems, the fuel system should be emptied before storage of 30 days or longer. Drain the gas tank, start the engine and let it run until the fuel lines and carburetor are empty. Use fresh fuel next season. See Storage Instructions for additional information. Never use engine or carburetor cleaner products in the fuel tank or permanent damage may occur.

TO START ENGINE (See Fig. 3)

When starting the engine for the first time or if the engine has run out of fuel, it will take extra cranking time to move fuel from the tank to the engine.

- Be sure freewheel control is in the transmission engaged position.
- Sit on seat in operating position, depress brake pedal and set parking brake.
- Move attachment clutch to "DISENGAGED" position.
- Move throttle control to choke position.

NOTE: Before starting, read the warm and cold starting procedures below.

- Insert key into ignition and turn key clockwise to "START" position and release key as soon as engine starts. Do not run starter continuously for more than fifteen seconds per minute. If the engine does not start after several attempts, move throttle control to fast position, wait a few minutes and try again. If engine still does not start, move the throttle control back to the choke position and retry.

WARM WEATHER STARTING (50° F and above)

- When engine starts, move the throttle control to the fast position.
- The attachments and ground drive can now be used. If the engine does not accept the load, restart the engine and allow it to warm up for one minute using the choke as described above.

COLD WEATHER STARTING (50° F and below)

- When engine starts, allow engine to run with the throttle control in the choke position until the engine runs roughly, then move throttle control to fast position. This may require an engine warm-up period from several seconds to several minutes, depending on the temperature.

AUTOMATIC TRANSMISSION WARM UP

- Before driving the unit in cold weather, the transmission should be warmed up as follows:
 - Be sure the tractor is on level ground.
 - Release the parking brake and let the brake slowly return to operating position.
 - Allow one minute for transmission to warm up. This can be done during the engine warm up period.
- The attachments can also be used during the engine warm-up period after the transmission has been warmed up.

NOTE: If at a high altitude (above 3000 feet) or in cold temperatures (below 32° F) the carburetor fuel mixture may need to be adjusted for best engine performance. See "TO ADJUST CARBURETOR" in the Service and Adjustments section of this manual.

OPERATION

PURGE TRANSMISSION



CAUTION: Never engage or disengage freewheel lever while the engine is running.

To ensure proper operation and performance, it is recommended that the transmission be purged before operating tractor for the first time. This procedure will remove any trapped air inside the transmission which may have developed during shipping of your tractor.

IMPORTANT: SHOULD YOUR TRANSMISSION REQUIRE REMOVAL FOR SERVICE OR REPLACEMENT, IT SHOULD BE PURGED AFTER REINSTALLATION BEFORE OPERATING THE TRACTOR.

1. Place tractor safely on a level surface - that is clear and open - with engine off and parking brake set.
2. Disengage transmission by placing freewheel control in disengaged position (See "TO TRANSPORT" in this section of manual).
3. Sitting in the tractor seat, start engine. After the engine is running, move throttle control to slow position. Disengage parking brake



CAUTION: At any time, during step 4, there may be movement of the drive wheels.

4. Depress forward drive pedal to full forward position, hold for five (5) seconds and release pedal. Depress reverse drive pedal to full reverse position, hold for five (5) seconds and release pedal. Repeat this procedure three (3) times.
5. Shut- off engine and set parking brake.
6. Engage transmission by placing freewheel control in engaged position (See "TO TRANSPORT" in this section of manual).
7. Sitting in the tractor seat, start engine. After the engine is running, move throttle control to half (1/2) speed. Disengage parking brake.
8. Drive tractor forward for approximately five feet then backwards for five feet. Repeat this driving procedure three times.

Your transmission is now purged and now ready for normal operation.

MOWING TIPS

- Tire chains cannot be used when the mower housing is attached to tractor.
- Mower should be properly leveled for best mowing performance. See "TO LEVEL MOWER HOUSING" in the Service and Adjustments section of this manual.
- The left hand side of mower should be used for trimming.
- Drive so that clippings are discharged onto the area that has been cut. Have the cut area to the right of the tractor. This will result in a more even distribution of clippings and more uniform cutting.
- When mowing large areas, start by turning to the right so that clippings will discharge away from shrubs, fences, driveways, etc. After one or two rounds, mow in the opposite direction making left hand turns until finished (See Fig. 13).

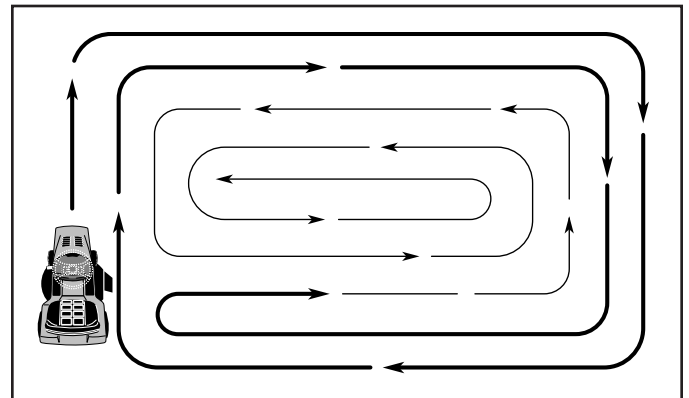


Fig. 13

- If grass is extremely tall, it should be mowed twice to reduce load and possible fire hazard from dried clippings. Make first cut relatively high; the second to the desired height.
- Do not mow grass when it is wet. Wet grass will plug mower and leave undesirable clumps. Allow grass to dry before mowing.
- **Always operate engine at full throttle when mowing** to assure better mowing performance and proper discharge of material. Regulate ground speed by selecting a low enough gear to give the mower cutting performance as well as the quality of cut desired.
- When operating attachments, select a ground speed that will suit the terrain and give best performance of the attachment being used.

MAINTENANCE

MAINTENANCE SCHEDULE		BEFORE EACH USE	EVERY 8 HOURS	EVERY 25 HOURS	EVERY 50 HOURS	EVERY 100 HOURS	EVERY SEASON	BEFORE STORAGE
TRACTOR	Check Brake Operation	✓	✓					
	Check Tire Pressure	✓	✓					
	Check Operator Presence & ROS Systems	✓						
	Check for Loose Fasteners	✓				✓		✓
	Check/Replace Mower Blades			✓ ₃				
	Lubrication Chart			✓				✓
	Check Battery Level			✓ ₄				
	Clean Battery and Terminals			✓				✓
	Check Transaxle Cooling			✓				
	Check Mower Levelness				✓			
	Check V-Belts					✓		
	ENGINE	Check Engine Oil Level	✓	✓				
Change Engine Oil (with oil filter)					✓ _{1,2}			✓
Change Engine Oil (without oil filter)				✓ _{1,2}				✓
Clean Air Filter				✓ ₂				
Clean Air Screen				✓ ₂				
Inspect Muffler/Spark Arrester					✓			
Replace Oil Filter (If equipped)						✓ _{1,2}		
Clean Engine Cooling Fins						✓ ₂		
Replace Spark Plug						✓	✓	
Replace Air Filter Paper Cartridge						✓ ₂		
Replace Fuel Filter							✓	

maint_sch-tractor.ROS.e

- 1 - Change more often when operating under a heavy load or in high ambient temperatures.
 2 - Service more often when operating in dirty or dusty conditions.

- 3 - Replace blades more often when mowing in sandy soil.
 4 - Not required if equipped with maintenance-free battery.

GENERAL RECOMMENDATIONS

The warranty on this tractor does not cover items that have been subjected to operator abuse or negligence. To receive full value from the warranty, operator must maintain tractor as instructed in this manual.

Some adjustments will need to be made periodically to properly maintain your tractor.

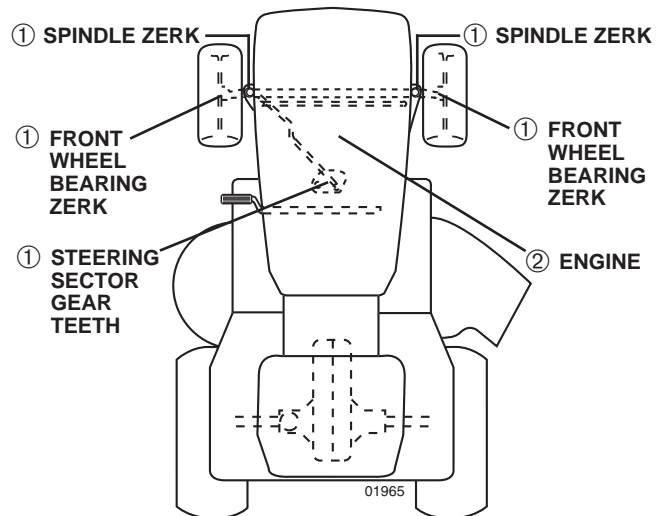
At least once a season, check to see if you should make any of the adjustments described in the Service and Adjustments section of this manual.

- At least once a year you should replace the spark plug, clean or replace air filter, and check blades and belts for wear. A new spark plug and clean air filter assure proper air-fuel mixture and help your engine run better and last longer.

BEFORE EACH USE

- Check engine oil level.
- Check brake operation.
- Check tire pressure.
- Check operator presence and ROS systems for proper operation.
- Check for loose fasteners.

LUBRICATION CHART



- ① General Purpose Grease
 ② Refer to Maintenance "ENGINE" Section

IMPORTANT: DO NOT OIL OR GREASE THE PIVOT POINTS WHICH HAVE SPECIAL NYLON BEARINGS. VISCOUS LUBRICANTS WILL ATTRACT DUST AND DIRT THAT WILL SHORTEN THE LIFE OF THE SELF-LUBRICATING BEARINGS. IF YOU FEEL THEY MUST BE LUBRICATED, USE ONLY A DRY, POWDERED GRAPHITE TYPE LUBRICANT SPARINGLY.

MAINTENANCE

TRACTOR

Always observe safety rules when performing any maintenance.

BRAKE OPERATION

If tractor requires more than five (5) feet to stop at highest speed in highest gear on a level, dry concrete or paved surface, then brake must be checked and adjusted. (See "TO CHECK BRAKE" in the Service and Adjustments section of this manual).

TIRES

- Maintain proper air pressure in all tires (See the sides of tires for proper PSI).
- Keep tires free of gasoline, oil, or insect control chemicals which can harm rubber.
- Avoid stumps, stones, deep ruts, sharp objects and other hazards that may cause tire damage.

NOTE: To seal tire punctures and prevent flat tires due to slow leaks, tire sealant may be purchased from your local parts dealer. Tire sealant also prevents tire dry rot and corrosion.

OPERATOR PRESENCE SYSTEM AND REVERSE OPERATION SYSTEM (ROS) (See Fig. 14)

Be sure operator presence and reverse operation systems are working properly. If your tractor does not function as described, repair the problem immediately.

- The engine should not start unless the brake pedal is fully depressed, and the attachment clutch control is in the disengaged position.

CHECK OPERATOR PRESENCE SYSTEM

- When the engine is running, any attempt by the operator to leave the seat without first setting the parking brake should shut off the engine.
- When the engine is running and the attachment clutch is engaged, any attempt by the operator to leave the seat should shut off the engine.
- The attachment clutch should never operate unless the operator is in the seat.

CHECK REVERSE OPERATION (ROS) SYSTEM

- When the engine is running with the ignition switch in the engine "ON" position and the attachment clutch engaged, any attempt by the operator to shift into reverse should shut off the engine.
- When the engine is running with the ignition switch in the ROS "ON" position and the attachment clutch engaged, any attempt by the operator to shift into reverse should NOT shut off the engine.

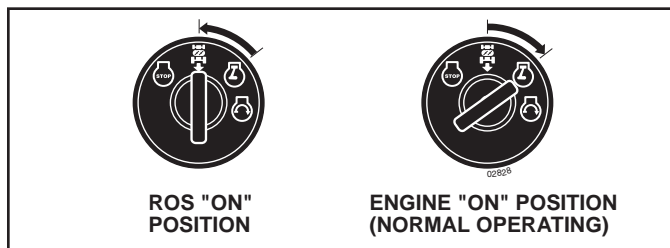


Fig. 14

BLADE CARE

For best results mower blades must be kept sharp. Replace bent or damaged blades.



CAUTION: Use only a replacement blade approved by the manufacturer of your tractor. Using a blade not approved by the manufacturer of your tractor is hazardous, could damage your tractor and void your warranty.

BLADE REMOVAL (See Fig. 15)

- Raise mower to highest position to allow access to blades.

NOTE: Protect your hands with gloves and/or wrap blade with heavy cloth.

- Remove blade bolt by turning counterclockwise.
- Install new or resharpened blade with stamped "THIS SIDE UP" facing deck and mandrel assembly.

IMPORTANT: TO ENSURE PROPER ASSEMBLY, CENTER HOLE IN BLADE MUST ALIGN WITH STAR ON MANDREL ASSEMBLY.

- Install and tighten blade bolt securely (45-55 Ft. Lbs. torque).

IMPORTANT: SPECIAL BLADE BOLT HEAT TREATED.

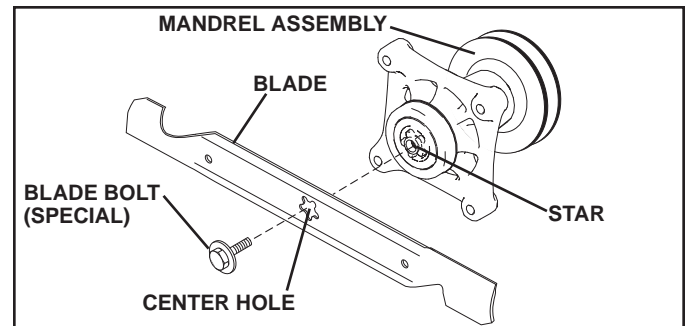


Fig. 15

BATTERY

Your tractor has a battery charging system which is sufficient for normal use. However, periodic charging of the battery with an automotive charger will extend its life.

- Keep battery and terminals clean.
- Keep battery bolts tight.
- Keep small vent holes open.
- Recharge at 6-10 amperes for 1 hour.

NOTE: The original equipment battery on your tractor is maintenance free. Do not attempt to open or remove caps or covers. Adding or checking level of electrolyte is not necessary.

TO CLEAN BATTERY AND TERMINALS

Corrosion and dirt on the battery and terminals can cause the battery to "leak" power.

- Raise seat/hood.
- Disconnect BLACK battery cable first then RED battery cable and remove battery from tractor.
- Rinse the battery with plain water and dry.
- Clean terminals and battery cable ends with wire brush until bright.
- Coat terminals with grease or petroleum jelly.
- Reinstall battery (See "REPLACING BATTERY" in the SERVICE AND ADJUSTMENTS section of this manual).

MAINTENANCE

DECK WASHOUT PORT (See Fig. 16)

Your tractor's deck is equipped with a washout port on its surface as part of its deck wash system. It should be utilized after each use.

1. Drive the tractor to a level, clear spot on your lawn, near enough to a water spigot for your garden hose to reach.

IMPORTANT: Make certain the tractor's discharge chute is directed AWAY from your house, garage, parked cars, etc. Remove bagger chute or mulch cover if attached.

2. Make sure the PTO (Blade Engage) is not engaged, set the parking brake, and stop the engine.
3. Thread the nozzle adapter (packaged with your tractor's Operator's Manual) onto the end of your garden hose.
4. Pull back the lock collar of the nozzle adapter and push the adapter onto the deck washout port at the left end of the mower deck. Release the lock collar to lock the adapter on the nozzle.

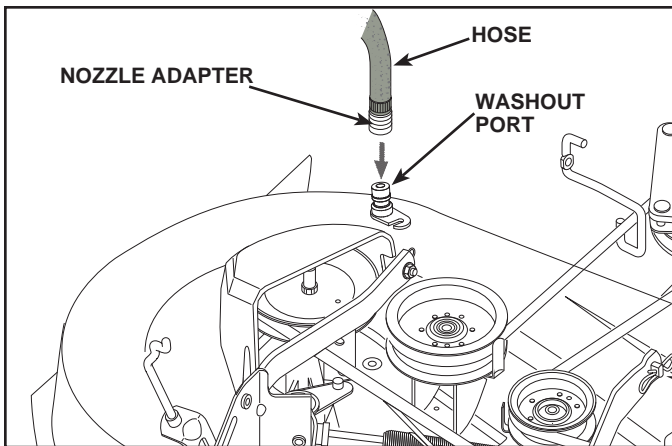


Fig. 16

IMPORTANT: Tug hose ensuring connection is secure.

5. Turn the water on.
6. While sitting in the operator's position on the tractor, re-start the engine and place the throttle lever in the Fast "F" position.

IMPORTANT: Recheck the area making certain the area is clear.

7. Move the tractor's PTO (Blade Engage) to the ON position. Remain in the operator's position with the cutting deck engaged until the deck is cleaned.
8. Move the tractor's PTO (Blade Engage) to the OFF position. Turn the ignition key to the STOP position to turn the tractor's engine off. Turn the water off.
9. Pull back the lock collar of the nozzle adapter to disconnect the adapter from the nozzle washout port.
10. Move the tractor to a dry area, preferably a concrete or paved area. Engage the mower deck PTO to remove excess water and to help dry before putting the tractor away.



WARNING: A broken or missing washout fitting could expose you or others to thrown objects from contact with the blade.

- Replace broken or missing washout fitting immediately, prior to using mower again.
- Plug any holes in mower with bolts and locknuts.

V-BELTS

Check V-belts for deterioration and wear after 100 hours of operation and replace if necessary. The belts are not adjustable. Replace belts if they begin to slip from wear.

TRANSAXLE MAINTENANCE

The transmission fan and cooling fins should be kept clean to assure proper cooling.

Do not attempt to clean fan or transmission while engine is running or while the transmission is hot. To prevent possible damage to seals, do not use high pressure water or steam to clean transmission.

- Inspect cooling fan to be sure fan blades are intact and clean.
- Inspect cooling fins for dirt, grass clippings and other materials. To prevent damage to seals, do not use compressed air or high pressure sprayer to clean cooling fins.

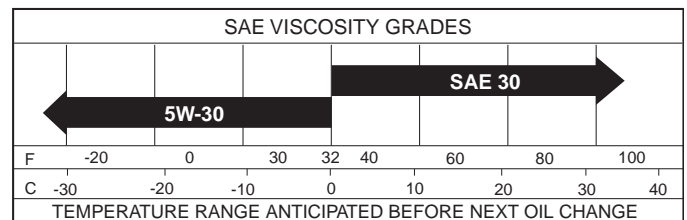
TRANSAXLE PUMP FLUID

The transaxle was sealed at the factory and fluid maintenance is not required for the life of the transaxle. Should the transaxle ever leak or require servicing, contact your nearest authorized service center/department.

ENGINE

LUBRICATION

Only use high quality detergent oil rated with API service classification SG-SL. Select the oil's SAE viscosity grade according to your expected operating temperature.



NOTE: Although multi-viscosity oils (5W30, 10W30 etc.) improve starting in cold weather, they will result in increased oil consumption when used above 32°F. Check your engine oil level more frequently to avoid possible engine damage from running low on oil.

Change the oil after every 50 hours of operation or at least once a year if the tractor is not used for 50 hours in one year.

Check the crankcase oil level before starting the engine and after each eight (8) hours of operation. Tighten oil fill cap/dipstick securely each time you check the oil level.

ENGINE OIL FILTER

Replace the engine oil filter every season or every other oil change if the tractor is used more than 100 hours in one year. See engine manual.

MAINTENANCE

TO CHANGE ENGINE OIL (See Fig. 17)

Determine temperature range expected before oil change. All oil must meet API service classification C.

- Be sure tractor is on level surface.
- Oil will drain more freely when warm.
- Catch oil in a suitable container.
- Remove oil fill cap/dipstick. Be careful not to allow dirt to enter the engine when changing oil.
- Remove yellow cap from end of drain valve and install the drain tube onto the fitting.

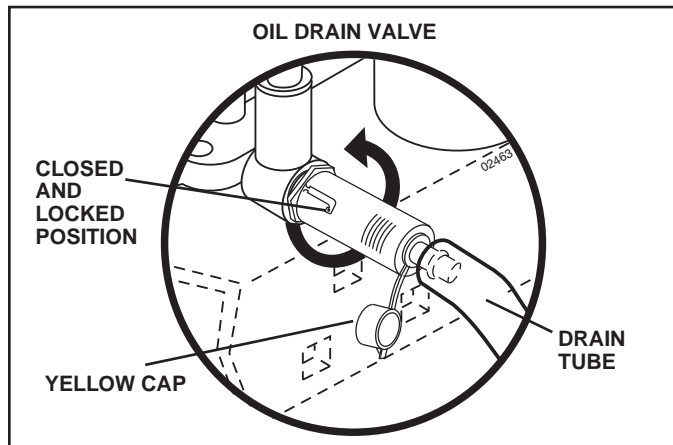


Fig. 17

- Unlock drain valve by pushing inward and turning counterclockwise.
- To open, pull out on the drain valve.
- After oil has drained completely, close and lock the drain valve by pushing inward and turning clockwise until the pin is in the locked position as shown.
- Remove the drain tube and replace the cap onto the bottom fitting of the drain valve.
- Refill engine with oil through oil fill dipstick tube. Pour slowly. Do not overfill. For approximate capacity see "PRODUCT SPECIFICATIONS" section of this manual.
- Use gauge on oil fill cap/dipstick for checking level. Be sure dipstick cap is tightened securely for accurate reading. Keep oil at "FULL" line on dipstick. Tighten cap onto the tube securely when finished.

ENGINE COOLING SYSTEM

To insure proper cooling, make sure the grass screen, cooling fins, and other external surfaces of the engine are kept clean at all times.

Every 100 hours of operation (more often under extremely dusty, dirty conditions), remove the blower housing and other cooling shrouds. Clean the cooling fins and external surfaces as necessary. Make sure the cooling shrouds are reinstalled.

NOTE: Operating the engine with a blocked grass screen, dirty or plugged cooling fins, and/or cooling shrouds removed will cause engine damage due to overheating.

CLEAN AIR SCREEN

Air screen must be kept free of dirt and chaff to prevent engine damage from overheating. Clean with a wire brush or compressed air to remove dirt and stubborn dried gum fibers.

AIR FILTER

Your engine will not run properly using a dirty air filter. Service air cleaner more often under dusty conditions. See Engine Manual.

MUFFLER

Inspect and replace corroded muffler and spark arrester (if equipped) as it could create a fire hazard and/or damage.

SPARK PLUGS

Replace spark plugs at the beginning of each mowing season or after every 100 hours of operation, whichever occurs first. Spark plug type and gap setting are shown in "PRODUCT SPECIFICATIONS" section of this manual.

IN-LINE FUEL FILTER (See Fig. 18)

The fuel filter should be replaced once each season. If fuel filter becomes clogged, obstructing fuel flow to carburetor, replacement is required.

- With engine cool, remove filter and plug fuel line sections.
- Place new fuel filter in position in fuel line with arrow pointing towards carburetor.
- Be sure there are no fuel line leaks and clamps are properly positioned.
- Immediately wipe up any spilled gasoline.

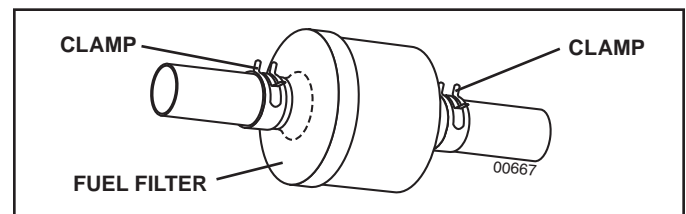


Fig. 18

CLEANING

- Clean engine, battery, seat, finish, etc. of all foreign matter.
- Keep finished surfaces and wheels free of all gasoline, oil, etc.
- Protect painted surfaces with automotive type wax.

We do not recommend using a garden hose or pressure washer to clean your tractor unless the engine and transmission are covered to keep water out. Water in engine or transmission will shorten the useful life of your tractor. Use compressed air or a leaf blower to remove grass, leaves and trash from tractor and mower.

SERVICE AND ADJUSTMENTS



WARNING: TO AVOID SERIOUS INJURY, BEFORE PERFORMING ANY SERVICE OR ADJUSTMENTS:

- Depress brake pedal fully and set parking brake.
- Place attachment clutch in “DISENGAGED” position.
- Turn ignition key to “STOP” and remove key.
- Make sure the blades and all moving parts have completely stopped.
- Disconnect spark plug wire from spark plug and place wire where it cannot come in contact with plug.

TO REMOVE MOWER (See Fig. 19)

- Place attachment clutch in “DISENGAGED” position.
- Lower attachment lift lever to its lowest position.
- Disengage belt tension rod (K) from lock bracket (L).



CAUTION: Belt tension rod is spring loaded. Have a tight grip on rod and release slowly.

- Remove mower belt from electric clutch pulley (M).
- Disconnect front link (E) from mower - remove retainer spring and washer.
- Go to either side of mower and disconnect mower suspension arm (A) from chassis and rear lift link (C) from rear mower bracket (D) - remove retainers, springs and washers.
- Go to other side of mower and disconnect the suspension arm and rear lift link.



CAUTION: After rear lift links are disconnected, the attachment lift lever will be spring loaded. Have a tight grip on lift lever when changing position of the lever.

- From right side of mower, disconnect anti-sway bar (S) from right rear mower bracket (D) - remove retainer spring and washer and pull mower toward you until the bar falls from the hole in bracket.
- Turn tractor steering wheel to the left as far as it will go.
- Slide mower out from under right side of tractor.

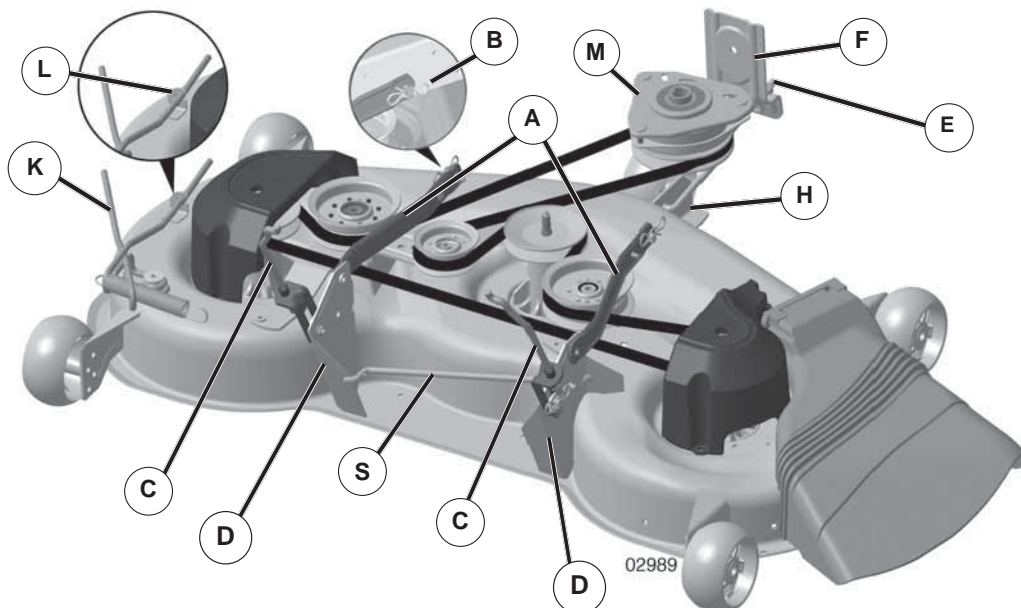


Fig. 19

TO INSTALL MOWER (See Figs. 20-28)

Be sure tractor is on level surface and engage parking brake.

- Lower attachment lift lever to its lowest position.



CAUTION: Lift lever is spring loaded. Have a tight grip on lift lever, lower it slowly and engage in lowest position.

- Turn steering wheel to the left as far as it will go and position mower on right side of tractor with deflector shield to the right.

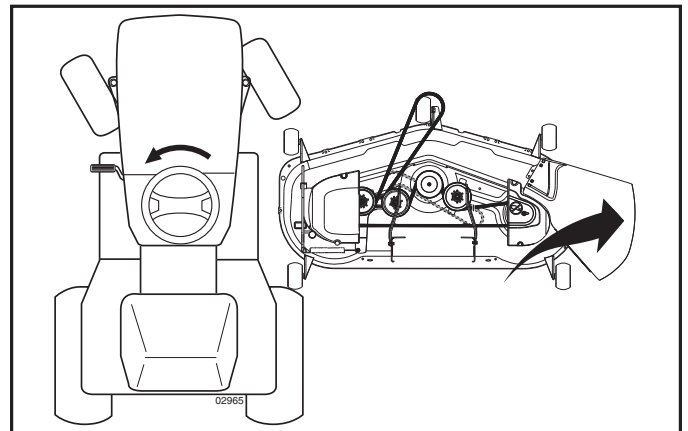


Fig. 20

SERVICE AND ADJUSTMENTS

NOTE: Be sure mower side suspension arms (A) are pointing forward before sliding mower under tractor.

- Slide mower under tractor until it is centered under tractor.

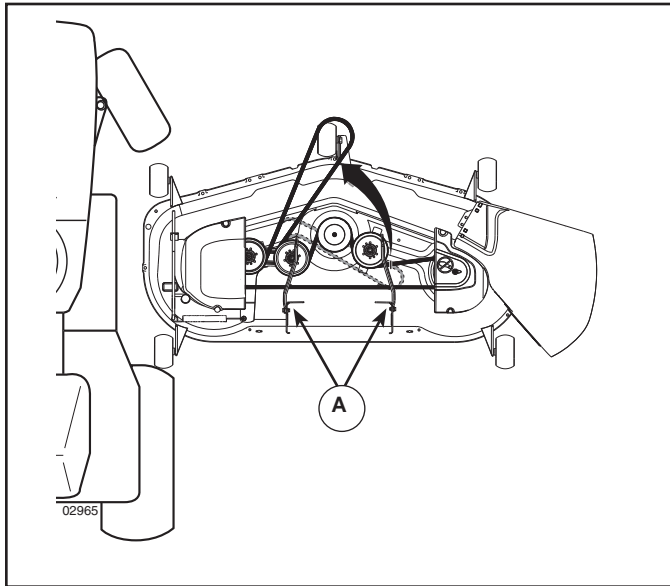


Fig. 21

- FIRST INSTALL ANTI-SWAY BAR (S).
 - From right side of mower, insert anti-sway bar into hole in transmission bracket (T).

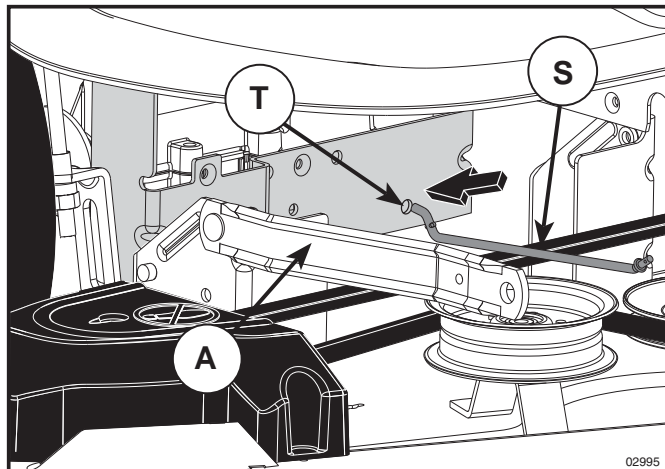


Fig. 22

- Pivot bar towards you and insert other end of bar into hole in rear mower bracket (D). Move mower as needed to insert bar.
- Secure with washer and retainer spring as shown

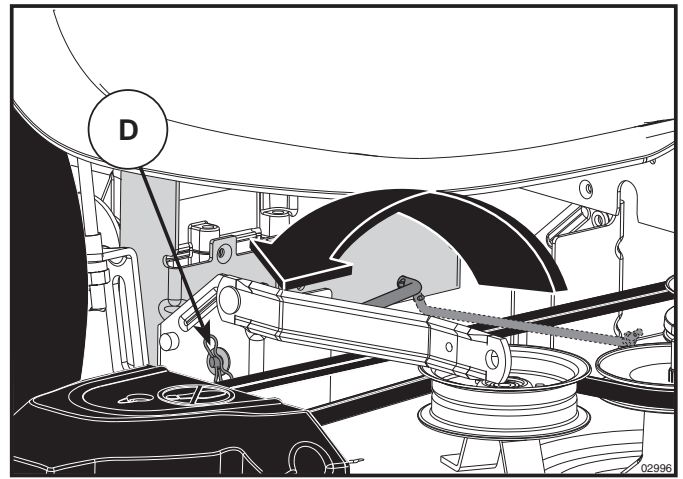


Fig. 23

- ATTACH MOWER SIDE SUSPENSION ARMS (A) TO CHASSIS - Position hole in arm over pin (B) on outside of tractor chassis and secure with washer and retainer spring.
- Repeat on opposite side of tractor.

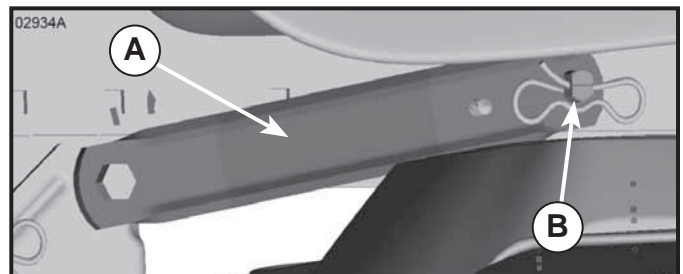


Fig. 24

- ATTACH REAR LIFT LINKS (C) - Lift rear corner of mower and position slot in link assembly over pin on rear mower bracket (D) and secure with washer and retainer spring.
- Repeat on opposite side of tractor.

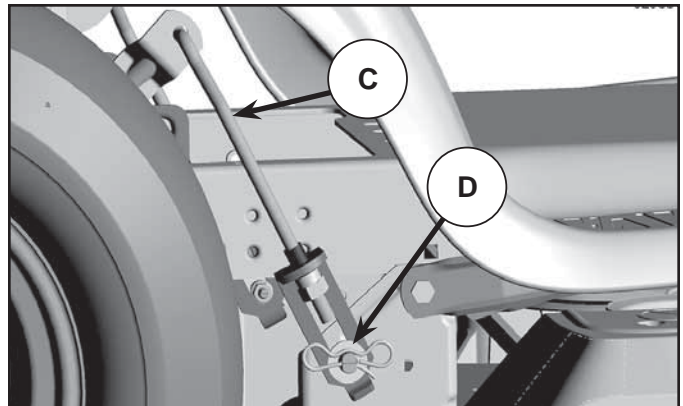


Fig. 25

SERVICE AND ADJUSTMENTS

- Turn steering wheel to position wheels straight forward.
- ATTACH FRONT LINK (E) - Work from left side of tractor. Insert rod end of link assembly through front hole in tractor front suspension bracket (F) and secure with retainer spring (G) through hole in link located behind the bracket.
- Insert other end of link (E) into hole in front mower bracket (H) and secure with washer and retainer spring (J).
- Disengage belt tension rod (K) from locking bracket (L).

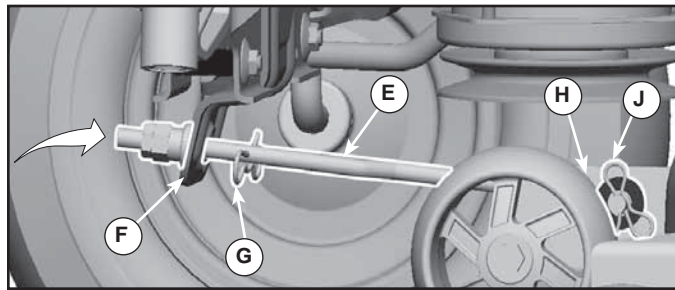


Fig. 26

- Install belt onto engine clutch pulley (M).

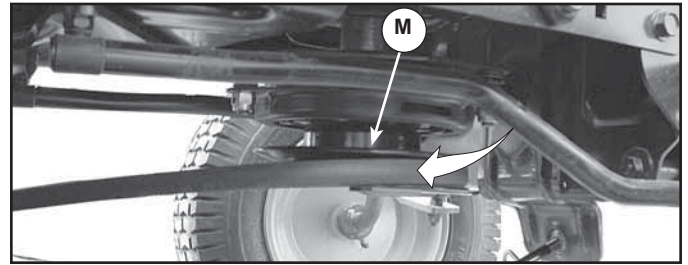


Fig. 27

IMPORTANT: Check belt for proper routing in all mower pulley grooves.

- Engage belt tension rod (K) on locking bracket (L).



CAUTION: Belt tension rod is spring loaded. Have a tight grip on rod and engage slowly.

- Raise attachment lift lever to highest position.
- If necessary, adjust gauge wheels before operating mower as shown in the Operation section of this manual.

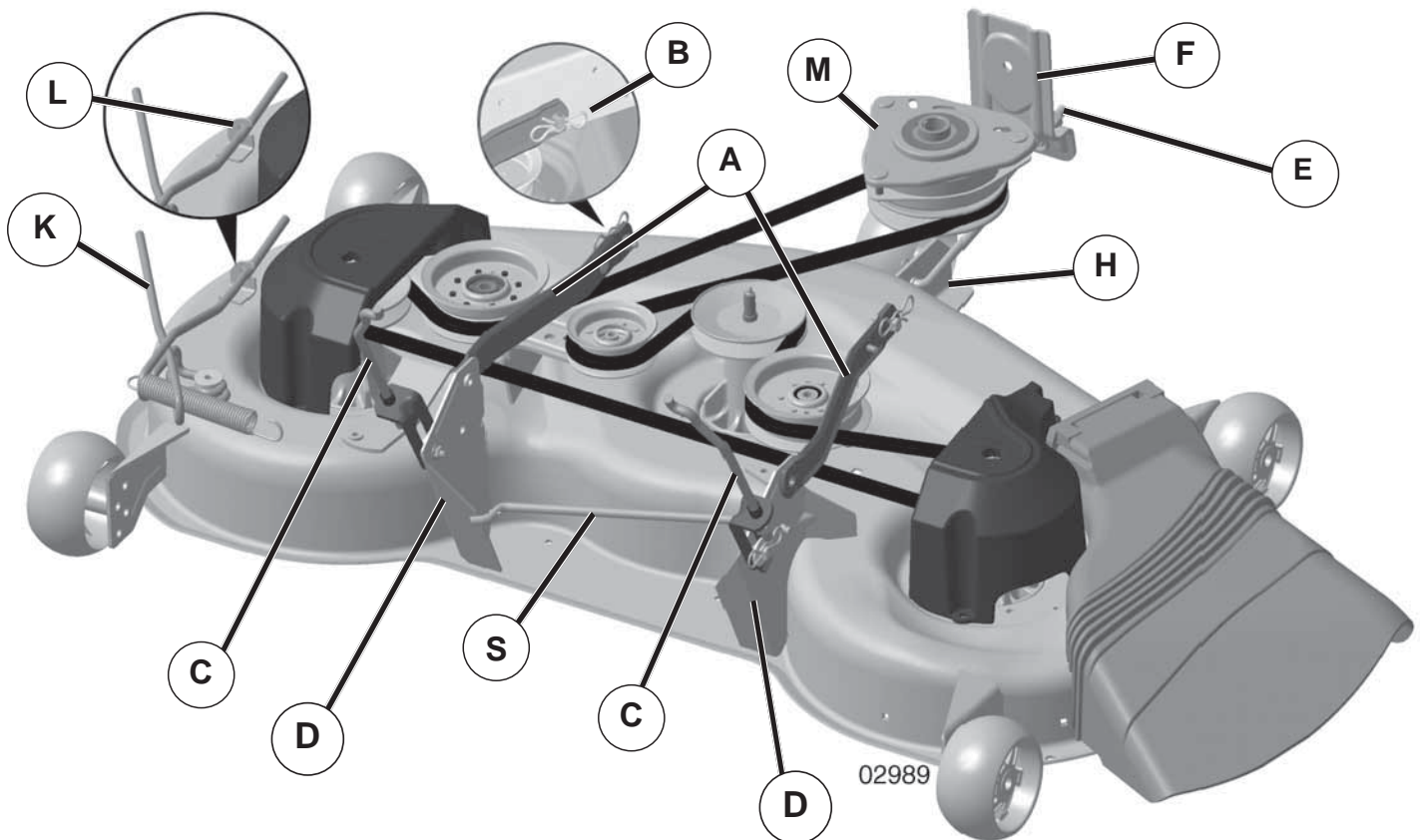


Fig. 28

SERVICE AND ADJUSTMENTS

TO LEVEL MOWER

Make sure tires are properly inflated to the PSI shown on tires. If tires are over or under inflated, it may affect the appearance of your lawn and lead you to think the mower is not adjusted properly.

VISUAL SIDE-TO-SIDE ADJUSTMENT (See Fig. 29)

- With all tires properly inflated and if your lawn appears unevenly cut, determine which side of mower is cutting lower.

NOTE: As desired, you can raise the low side of mower or lower the high side.

- Go to side of mower you wish to adjust.
- With a 3/4" or adjustable wrench, turn lift link adjustment nut (A) to the left to lower the mower, or, to the right to raise the mower.

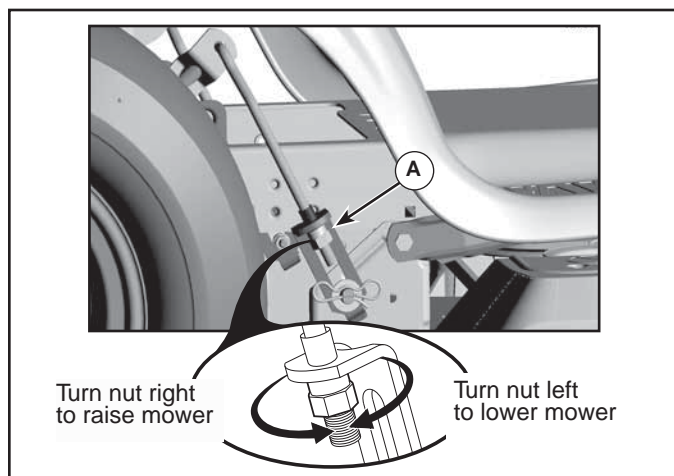


Fig. 29

NOTE: Each full turn of adjustment nut will change mower height about 3/16".

- Test your adjustment by mowing some uncut grass and visually checking the appearance. Readjust, if necessary, until you are satisfied with the results.

PRECISION SIDE-TO-SIDE ADJUSTMENT (See Fig. 30)

- With all tires properly inflated, park tractor on level ground or driveway.



- Raise mower to its highest position.
- At both sides of mower, position blade at side and measure the distance (A) from bottom edge of blade to the ground. The distance should be the same on both sides.

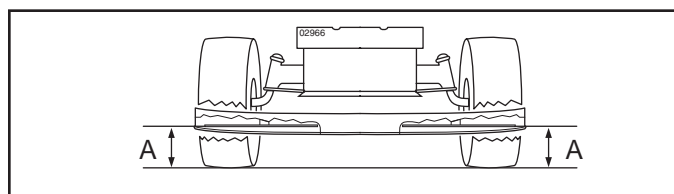


Fig. 30

- If adjustment is necessary, see steps in Visual Adjustment instructions above.
- Recheck measurements, adjust if necessary until both sides are equal.

FRONT-TO-BACK ADJUSTMENT (See Figs. 31 & 32)

IMPORTANT: Deck must be level side-to-side.

To obtain the best cutting results, the mower blades should be adjusted so the front tip is 1/8" to 1/2" lower than the rear tip when the mower is in its highest position.



- Raise mower to highest position.
- Position any blade so the tip is pointing straight forward. Measure distance (B) to the ground at front and rear tip of the blade.

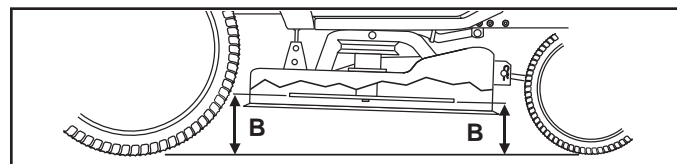


Fig. 31

- If front tip of blade is not 1/8" to 1/2" lower than the rear tip, go to the front of tractor.
- With an 11/16" or adjustable wrench, loosen jam nut A several turns to clear adjustment nut B.
- With a 3/4" or adjustable wrench, turn front link adjustment nut (B) clockwise (tighten) to raise the front of mower, or, counterclockwise (loosen) to lower the front mower.

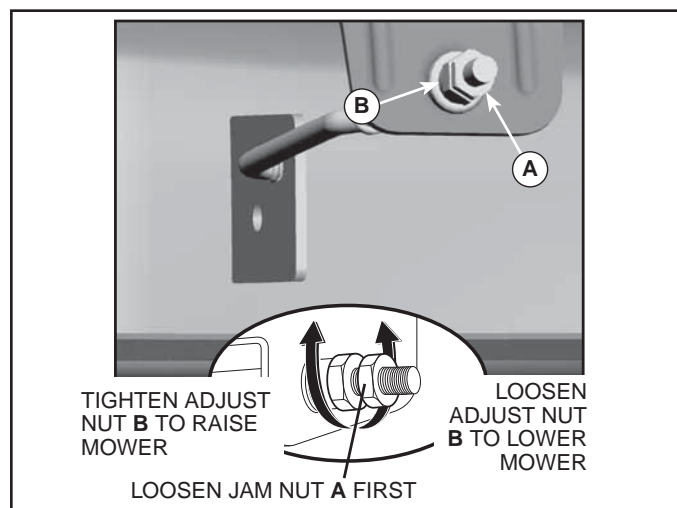


Fig. 32

NOTE: Each full turn of the adjustment nut will change mower height about 1/8".

- Recheck measurements, adjust if necessary until front tip of blade is 1/8" to 1/2" lower than the rear tip.
- Hold adjustment nut in position with wrench and tighten jam nut securely against adjustment nut.

SERVICE AND ADJUSTMENTS

TO REPLACE MOWER BLADE DRIVE BELT (See Fig. 33)

MOWER DRIVE BELT REMOVAL

- Park tractor on a level surface. Engage parking brake.
- Lower attachment lift lever to its lowest position.
- Remove any dirt or grass clippings which may have accumulated around mandrels and entire upper deck surface.
- Remove belt from electric clutch pulley (M), both mandrel pulleys (R) and all idler pulleys (V).

MOWER DRIVE BELT INSTALLATION

- Install belt around all mandrel pulleys (R) and around idler pulleys (V) as shown.
- Install belt onto electric clutch pulley (M).

IMPORTANT: Check belt for proper routing in all mower pulley grooves.

- Raise attachment lift lever to highest position.

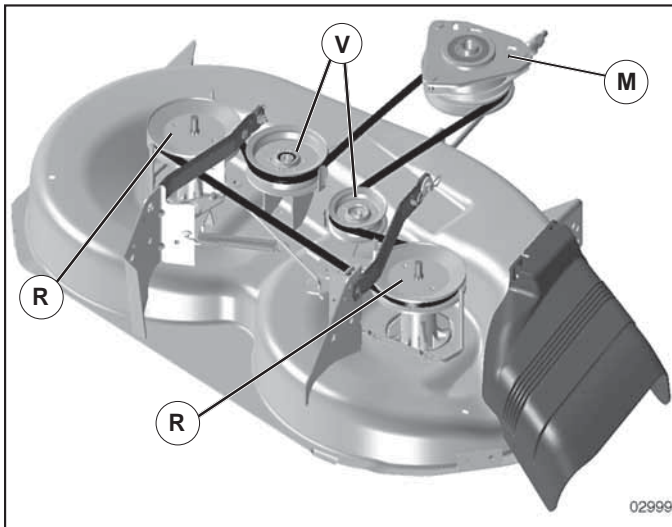


Fig. 33

TO CHECK BRAKE

If tractor requires more than five (5) feet to stop at highest speed in highest gear on a level, dry concrete or paved surface, then brake must be serviced.

You may also check brake by:

1. Park tractor on a level, dry concrete or paved surface, depress brake pedal all the way down and engage parking brake.
2. Disengage transmission by placing freewheel control in "transmission disengaged" position. Pull freewheel control out and into the slot and release so it is held in the disengaged position.

The rear wheels must lock and skid when you try to manually push the tractor forward. If the rear wheels rotate, then the brake needs to be serviced. Contact a qualified service center.

TO REPLACE MOTION DRIVE BELT (See Fig. 34)

Park the tractor on level surface. Engage parking brake. For assistance, there is a belt installation guide decal on bottom side of left footrest.

BELT REMOVAL -

1. Remove mower (See "TO REMOVE MOWER" section in this manual).

NOTE: Observe entire motion drive belt and position of all belt guides and keepers.

2. Disconnect clutch wire harness (A).
3. Remove anti-rotation link (B) on right side of tractor.
4. Remove belt from stationary idler (C) and clutching idler (D).
5. Remove belt from centerspan idler (E).
6. Pull belt slack toward rear of tractor. Carefully remove belt upwards from transmission input pulley and over cooling fan blades (F).
7. Remove belt downward from engine pulley and around electric clutch (G).
8. Slide belt toward rear of tractor, off the steering plate (H) and remove from tractor.

BELT INSTALLATION -

1. Install new belt from tractor rear to front, over the steering plate (H) and above clutch brake pedal shaft (J).
2. Pull belt toward front of tractor and roll belt around electric clutch and onto engine pulley (G).
3. Pull belt toward rear of tractor. Carefully work belt down around transmission cooling fan and onto the input pulley (F). Be sure belt is inside the belt keeper.
4. Install belt on centerspan idler (E).
5. Install belt through stationary idler (C) and clutching idler (D).
6. Reinstall anti-rotation link (B) on right side of tractor. Tighten securely.
7. Reconnect clutch harness (A).
8. Make sure belt is in all pulley grooves and inside all belt guides and keepers.
9. Install mower (See "TO INSTALL MOWER" section in this manual).

SERVICE AND ADJUSTMENTS

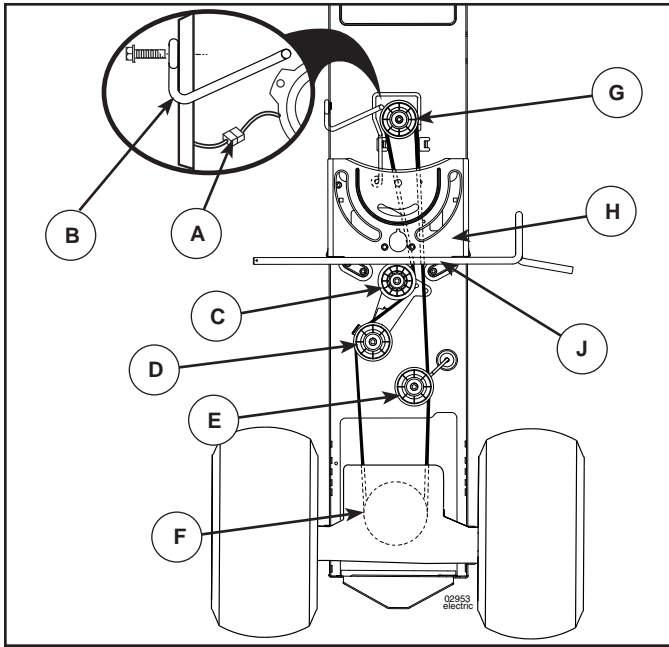


Fig. 34

TO ADJUST STEERING WHEEL ALIGNMENT

If steering wheel crossbars are not horizontal (left to right) when wheels are positioned straight forward, remove steering wheel and reassemble per instructions in the Assembly section of this manual.

FRONT WHEEL TOE-IN/CAMBER

Your new tractor front wheel toe-in and camber is set at the factory and is normal. The front wheel toe-in and camber are not adjustable. If damage has occurred to affect the factory set front wheel toe-in or camber, contact a qualified service center.

TO REMOVE WHEEL FOR REPAIRS (See Fig. 35)

- Block up axle securely.
- Remove axle cover, retaining ring and washers to allow wheel removal (rear wheel contains a square key - Do not lose).
- Repair tire and reassemble.
- On rear wheels only: align grooves in rear wheel hub and axle. Insert square key.
- Replace washers and snap retaining ring securely in axle groove.
- Replace axle cover.

NOTE: To seal tire punctures and prevent flat tires due to slow leaks, tire sealant may be purchased from your local parts dealer. Tire sealant also prevents tire dry rot and corrosion.

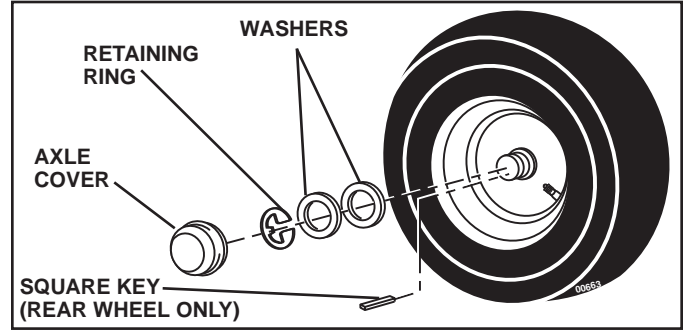


Fig. 35

TO START ENGINE WITH A WEAK BATTERY (See Fig. 36)



WARNING: Lead-acid batteries generate explosive gases. Keep sparks, flame and smoking materials away from batteries. Always wear eye protection when around batteries.

If your battery is too weak to start the engine, it should be recharged. (See "BATTERY" in the MAINTENANCE section of this manual).

If "jumper cables" are used for emergency starting, follow this procedure:

IMPORTANT: YOUR TRACTOR IS EQUIPPED WITH A 12 VOLT SYSTEM. THE OTHER VEHICLE MUST ALSO BE A 12 VOLT SYSTEM. DO NOT USE YOUR TRACTOR BATTERY TO START OTHER VEHICLES.

TO ATTACH JUMPER CABLES -

- Connect one end of the RED cable to the POSITIVE (+) terminal of each battery(A-B), taking care not to short against tractor chassis.
- Connect one end of the BLACK cable to the NEGATIVE (-) terminal (C) of fully charged battery.
- Connect the other end of the BLACK cable (D) to good chassis ground, away from fuel tank and battery.

TO REMOVE CABLES, REVERSE ORDER -

- BLACK cable first from chassis and then from the fully charged battery.
- RED cable last from both batteries.

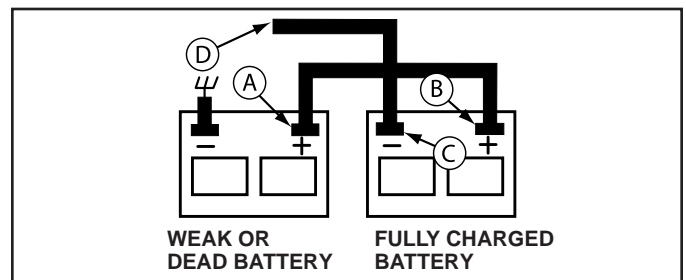


Fig. 36

SERVICE AND ADJUSTMENTS

REPLACING BATTERY (See Fig. 37)



WARNING: Do not short battery terminals by allowing a wrench or any other object to contact both terminals at the same time. Before connecting battery, remove metal bracelets, wristwatch bands, rings, etc. Positive terminal must be connected first to prevent sparking from accidental grounding.

- Lift hood to raised position.
- Remove terminal cover.
- Disconnect BLACK battery cable then RED battery cable and carefully remove battery from tractor.
- Install new battery with terminals in same position as old battery.
- Reinstall terminal cover.
- First connect RED battery cable to positive (+) battery terminal with bolt and nut as shown. Tighten securely.
- Connect BLACK grounding cable to negative (-) battery terminal with remaining bolt and nut. Tighten securely
- Close hood.

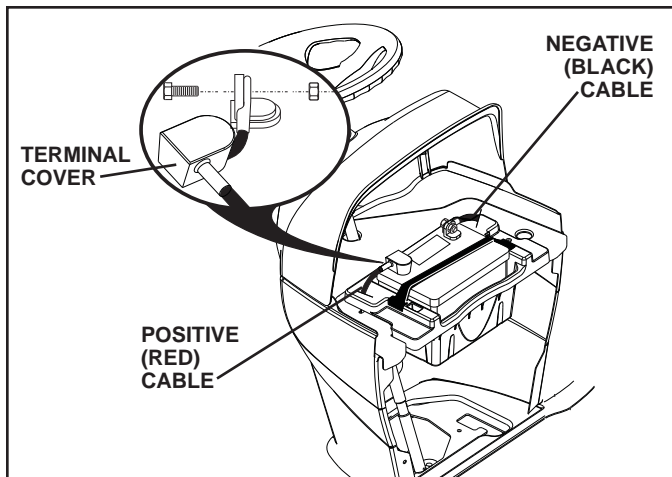


Fig. 37

TO REPLACE HEADLIGHT BULB

- Raise hood.
- Pull bulb holder out of the hole in the backside of the grill.
- Replace bulb in holder and push bulb holder securely back into the hole in the backside of the grill.
- Close hood.

INTERLOCKS AND RELAYS

Loose or damaged wiring may cause your tractor to run poorly, stop running, or prevent it from starting.

- Check wiring.

TO REPLACE FUSE

Replace with 20 amp automotive-type plug-in fuse. The fuse holder is located behind the dash.

TO REMOVE HOOD AND GRILL ASSEMBLY (See Fig. 38)

- Raise hood.
- Unsnap headlight wire connector.
- Stand in front of tractor. Grasp hood at sides, tilt toward engine and lift off of tractor.
- To replace, reverse above procedure.

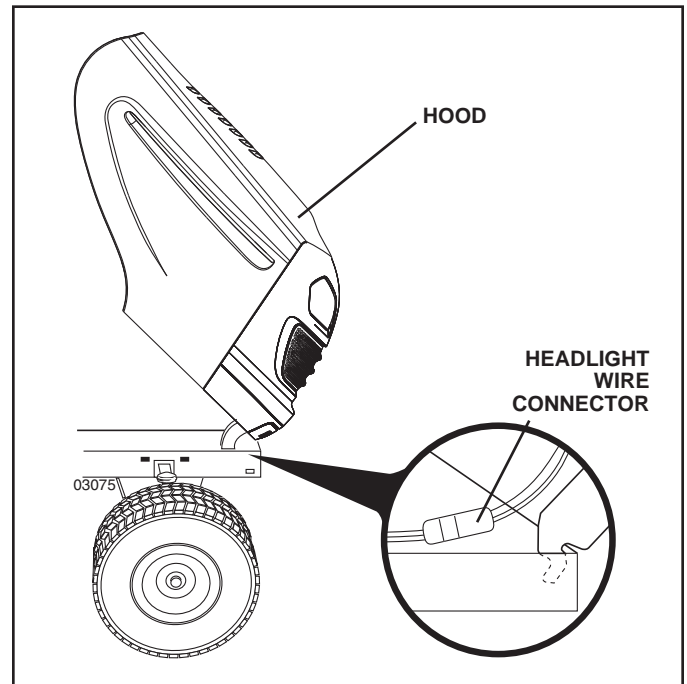


Fig. 38

TRANSMISSION

REMOVAL/REPLACEMENT

Should your transmission require removal for service or replacement, it should be purged after reinstallation and before operating the tractor. See "PURGE TRANSMISSION" in the Operation section of this manual.

ENGINE

TO ADJUST THROTTLE CONTROL CABLE

The throttle control has been preset at the factory and adjustment should not be necessary. If adjustment is necessary, see engine manual.

TO ADJUST CHOKE CONTROL

The choke control has been preset at the factory and adjustment should not be necessary. If adjustment is necessary, see engine manual.

TO ADJUST CARBURETOR

Your carburetor is not adjustable. If your engine does not operate properly due to suspected carburetor problems, take your tractor to an authorized service center for repair and/or adjustment.

STORAGE

Immediately prepare your tractor for storage at the end of the season or if the tractor will not be used for 30 days or more.



WARNING: Never store the tractor with gasoline in the tank inside a building where fumes may reach an open flame or spark. Allow the engine to cool before storing in any enclosure.

TRACTOR

Remove mower from tractor for winter storage. When mower is to be stored for a period of time, clean it thoroughly, remove all dirt, grease, leaves, etc. Store in a clean, dry area.

- Clean entire tractor (See “CLEANING” in the Maintenance section of this manual).
- Inspect and replace belts, if necessary (See belt replacement instructions in the Service and Adjustments section of this manual).
- Lubricate as shown in the Maintenance section of this manual.
- Be sure that all nuts, bolts and screws are securely fastened. Inspect moving parts for damage, breakage and wear. Replace if necessary.
- Touch up all rusted or chipped paint surfaces; sand lightly before painting.

BATTERY

- Fully charge the battery for storage.
- After a period of time in storage, battery may require recharging.
- To help prevent corrosion and power leakage during long periods of storage, battery cables should be disconnected and battery cleaned thoroughly (see “TO CLEAN BATTERY AND TERMINALS” in the Maintenance section of this manual).
- After cleaning, leave cables disconnected and place cables where they cannot come in contact with battery terminals.
- If battery is removed from tractor for storage, do not store battery directly on concrete or damp surfaces.

ENGINE

FUEL SYSTEM

IMPORTANT: IT IS IMPORTANT TO PREVENT GUM DEPOSITS FROM FORMING IN ESSENTIAL FUEL SYSTEM PARTS SUCH AS CARBURETOR, FUEL FILTER, FUEL HOSE, OR TANK DURING STORAGE. ALSO, EXPERIENCE INDICATES THAT ALCOHOL BLENDED FUELS (CALLED GASOHOL OR USING ETHANOL OR METHANOL) CAN ATTRACT MOISTURE WHICH LEADS TO SEPARATION AND FORMATION OF ACIDS DURING STORAGE. ACIDIC GAS CAN DAMAGE THE FUEL SYSTEM OF AN ENGINE WHILE IN STORAGE.

- Empty the fuel tank by starting the engine and let it run until the fuel lines and carburetor are empty.
- Never use engine or carburetor cleaner products in the fuel tank or permanent damage may occur.
- Use fresh fuel next season.

NOTE: Fuel stabilizer is an acceptable alternative in minimizing the formation of fuel gum deposits during storage. Add stabilizer to gasoline in fuel tank or storage container. Always follow the mix ratio found on stabilizer container. Run engine at least 10 minutes after adding stabilizer to allow the stabilizer to reach the carburetor. Do not empty the gas tank and carburetor if using fuel stabilizer.

ENGINE OIL

Drain oil (with engine warm) and replace with clean engine oil. (See “ENGINE” in the Maintenance section of this manual).

CYLINDER(S)

- Remove spark plug(s).
- Pour one ounce of oil through spark plug hole(s) into cylinder(s).
- Turn ignition key to “START” position for a few seconds to distribute oil.
- Replace with new spark plug(s).

OTHER

- Do not store gasoline from one season to another.
- Replace your gasoline can if your can starts to rust. Rust and/or dirt in your gasoline will cause problems.
- If possible, store your tractor indoors and cover it to give protection from dust and dirt.
- Cover your tractor with a suitable protective cover that does not retain moisture. Do not use plastic. Plastic cannot breathe which allows condensation to form and will cause your tractor to rust.

IMPORTANT: NEVER COVER TRACTOR WHILE ENGINE AND EXHAUST ARE STILL WARM.

TROUBLESHOOTING

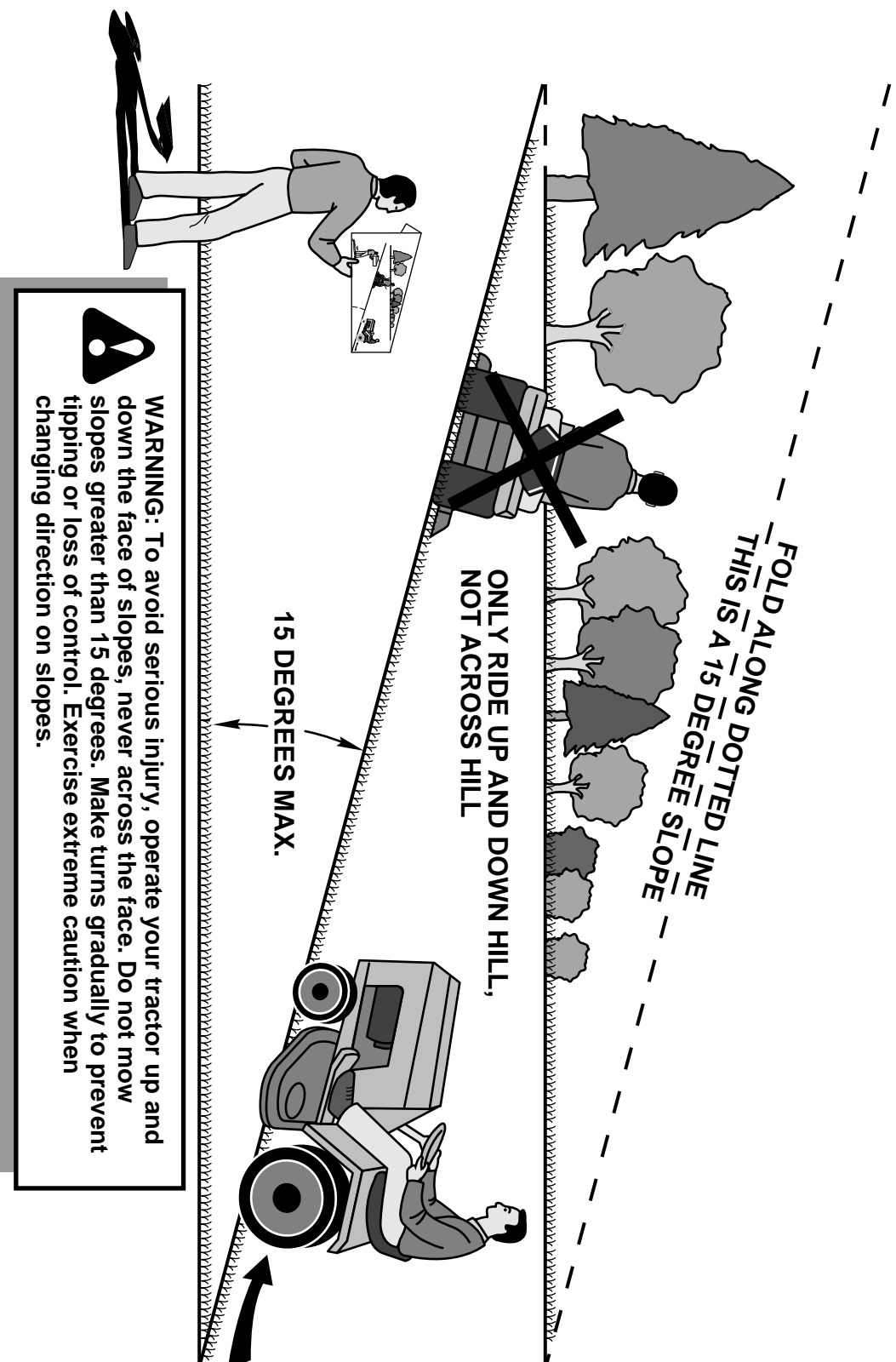
PROBLEM	CAUSE	CORRECTION
Will not start	<ol style="list-style-type: none"> 1. Out of fuel. 2. Engine not "CHOKED" properly. 3. Engine flooded. 4. Bad spark plug. 5. Dirty air filter. 6. Dirty fuel filter. 7. Water in fuel. 8. Loose or damaged wiring. 9. Carburetor out of adjustment. 10. Engine valves out of adjustment. 	<ol style="list-style-type: none"> 1. Fill fuel tank. 2. See "TO START ENGINE" in Operation section. 3. Wait several minutes before attempting to start. 4. Replace spark plug. 5. Clean/replace air filter. 6. Replace fuel filter. 7. Empty fuel tank and carburetor, refill tank with fresh gasoline and replace fuel filter. 8. Check all wiring. 9. See "To Adjust Carburetor" in Service Adjustments section. 10. Contact an authorized service center/department.
Hard to start	<ol style="list-style-type: none"> 1. Dirty air filter. 2. Bad spark plug. 3. Weak or dead battery. 4. Dirty fuel filter. 5. Stale or dirty fuel. 6. Loose or damaged wiring. 7. Carburetor out of adjustment. 8. Engine valves out of adjustment. 	<ol style="list-style-type: none"> 1. Clean/replace air filter. 2. Replace spark plug. 3. Recharge or replace battery. 4. Replace fuel filter. 5. Empty fuel tank and refill tank with fresh, clean gas. 6. Check all wiring. 7. See "To Adjust Carburetor" in Service Adjustments section. 8. Contact an authorized service center/department.
Engine will not turn over	<ol style="list-style-type: none"> 1. Brake pedal not depressed. 2. Attachment clutch is engaged. 3. Weak or dead battery. 4. Blown fuse. 5. Corroded battery terminals. 6. Loose or damaged wiring. 7. Faulty ignition switch. 8. Faulty solenoid or starter. 9. Faulty operator presence switch(es). 	<ol style="list-style-type: none"> 1. Depress brake pedal. 2. Disengage attachment clutch. 3. Recharge or replace battery. 4. Replace fuse. 5. Clean battery terminals. 6. Check all wiring. 7. Check/replace ignition switch. 8. Check/replace solenoid or starter. 9. Contact an authorized service center/department.
Engine clicks but will not start	<ol style="list-style-type: none"> 1. Weak or dead battery. 2. Corroded battery terminals. 3. Loose or damaged wiring. 4. Faulty solenoid or starter. 	<ol style="list-style-type: none"> 1. Recharge or replace battery. 2. Clean battery terminals. 3. Check all wiring. 4. Check/replace solenoid or starter.
Loss of power	<ol style="list-style-type: none"> 1. Cutting too much grass/too fast. 2. Throttle in "CHOKE" position. 3. Build-up of grass, leaves, trash under mower. 4. Dirty air filter. 5. Low oil level/dirty oil. 6. Faulty spark plug. 7. Dirty fuel filter. 8. Stale or dirty fuel. 9. Water in fuel. 10. Spark plug wire loose. 11. Dirty engine air screen/fins. 12. Dirty/clogged muffler. 13. Loose or damaged wiring. 14. Carburetor out of adjustment. 15. Engine valves out of adjustment. 	<ol style="list-style-type: none"> 1. Raise cutting height/reduce speed. 2. Adjust throttle control. 3. Clean underside of mower housing. 4. Clean/replace air filter. 5. Check oil level/change oil. 6. Clean and regap or change spark plug. 7. Replace fuel filter. 8. Empty fuel tank and refill tank with fresh, clean gas. 9. Empty fuel tank and carburetor, refill tank with fresh gasoline and replace fuel filter. 10. Connect and tighten spark plug wire. 11. Clean engine air screen/fins. 12. Clean/replace muffler. 13. Check all wiring. 14. See "To Adjust Carburetor" in Service Adjustments section. 15. Contact an authorized service center/department.
Excessive vibration	<ol style="list-style-type: none"> 1. Worn, bent or loose blade. 2. Bent blade mandrel. 3. Loose/damaged part(s). 	<ol style="list-style-type: none"> 1. Replace blade. Tighten blade bolt. 2. Replace blade mandrel. 3. Tighten loose part(s). Replace damaged parts.

TROUBLESHOOTING

PROBLEM	CAUSE	CORRECTION
Engine continues to run when operator leaves seat with attachment clutch engaged	<ol style="list-style-type: none"> 1. Faulty operator-safety presence control system. 	<ol style="list-style-type: none"> 1. Check wiring, switches and connections. If not corrected, contact an authorized service center/department.
Poor cut - uneven	<ol style="list-style-type: none"> 1. Worn, bent or loose blade. 2. Mower deck not level. 3. Buildup of grass, leaves, trash under mower. 4. Bent blade mandrel. 5. Clogged mower deck vent holes from buildup of grass, leaves, and trash around mandrels. 	<ol style="list-style-type: none"> 1. Replace blade. Tighten blade bolt. 2. Level mower deck. 3. Clean underside of mower housing. 4. Replace blade mandrel. 5. Clean around mandrels to open vent holes.
Mower blades will not rotate	<ol style="list-style-type: none"> 1. Obstruction in clutch mechanism. 2. Worn/damaged mower drive belt. 3. Frozen idler pulley. 4. Frozen blade mandrel. 	<ol style="list-style-type: none"> 1. Remove obstruction. 2. Replace mower drive belt. 3. Replace idler pulley. 4. Replace blade mandrel.
Poor grass discharge	<ol style="list-style-type: none"> 1. Engine speed too slow. 2. Travel speed too fast. 3. Wet grass. 4. Mower deck not level. 5. Low/uneven tire air pressure. 6. Worn, bent or loose blade. 7. Buildup of grass, leaves, trash under mower. 8. Mower drive belt worn. 9. Blades improperly installed. 10. Improper blades used. 11. Clogged mower deck vent holes from buildup of grass, leaves, trash around mandrels. 	<ol style="list-style-type: none"> 1. Place throttle control in "FAST" position. 2. Shift to slower speed. 3. Allow grass to dry before mowing. 4. Level mower deck. 5. Check tires for proper air pressure. 6. Replace blade. Tighten blade bolt. 7. Clean underside of mower housing. 8. Replace mower drive belt. 9. Reinstall blades sharp edge down. 10. Replace with blades listed in parts manual. 11. Clean around mandrels to open vent holes.
Headlight(s) not working (if so equipped)	<ol style="list-style-type: none"> 1. Switch is "OFF". 2. Bulb(s) or lamp(s) burned out. 3. Faulty light switch. 4. Loose or damaged wiring. 5. Blown fuse. 	<ol style="list-style-type: none"> 1. Turn switch "ON". 2. Replace bulb(s) or lamp(s). 3. Check/replace light switch. 4. Check wiring and connections. 5. Replace fuse.
Battery will not charge	<ol style="list-style-type: none"> 1. Bad battery cell(s). 2. Poor cable connections. 3. Faulty regulator (if so equipped). 4. Faulty alternator. 	<ol style="list-style-type: none"> 1. Replace battery. 2. Check/clean all connections. 3. Replace regulator. 4. Replace alternator.
Loss of drive	<ol style="list-style-type: none"> 1. Freewheel control in "disengaged" position. 2. Motion drive belt worn, damaged, or broken. 3. Air trapped in transmission during shipment or servicing. 	<ol style="list-style-type: none"> 1. Place freewheel control in "engaged" position. 2. Replace motion drive belt. 3. Purge transmission.
Engine "back-fires" when turning engine "OFF"	<ol style="list-style-type: none"> 1. Engine throttle control not set between half and full speed (fast) position before stopping engine. 	<ol style="list-style-type: none"> 1. Move throttle control between half and full speed (fast) position before stopping engine.
Engine dies when tractor is shifted into reverse	<ol style="list-style-type: none"> 1. Reverse operation system (ROS) is not "ON" while mower or other attachment is engaged. 	<ol style="list-style-type: none"> 1. Turn ignition key to ROS "ON" position. See Operation section.

SERVICE NOTES

SUGGESTED GUIDE FOR SIGHTING SLOPES FOR SAFE OPERATION



Poulan PRO

PARTS AND SERVICE

This product has been expertly engineered and carefully manufactured to rigid quality standards. As with all mechanical products, some adjustments or part replacement may be necessary during the life of your unit.

For Parts and service, contact our authorized distributor: call 1-800-849-1297

- For replacement parts, have available the following information:
 - a. Model Number/Manufacturer's I.D. Number
 - b. Description of part.

For Technical Assistance: call 1-800-829-5886

For a Parts Manual, go to our website: www.poulan-pro.com/support.asp

NOTE: HOP provides parts and service through its authorized distributors and dealers; therefore, all requests for parts and service should be directed to your local dealer(s). The philosophy of HOP is to continually improve all of its products. If the operating characteristics or the appearance of your product differs from those described in this Manual, please contact your local dealer for updated information and assistance.

Poulan PRO

L'ENTRETIEN ET LES PIÈCES DE RECHANGE

Ce produit, conçu avec les soins les plus attentifs, est fabriqué en accord avec des standards stricts. Comme pour tous les produits avec des parties mobiles, il peut être nécessaire pendant la durabilité de votre machine d'effectuer des ajustements ou le remplacement de certaines pièces .

Pour les pièces de rechange et l'entretien, contactez notre concessionnaire autorisé: appelez 1-800-849-1297

- Pour les pièces de rechange, ayez près de vous:

A. Numéro du modèle/Référence numéro du fabricant

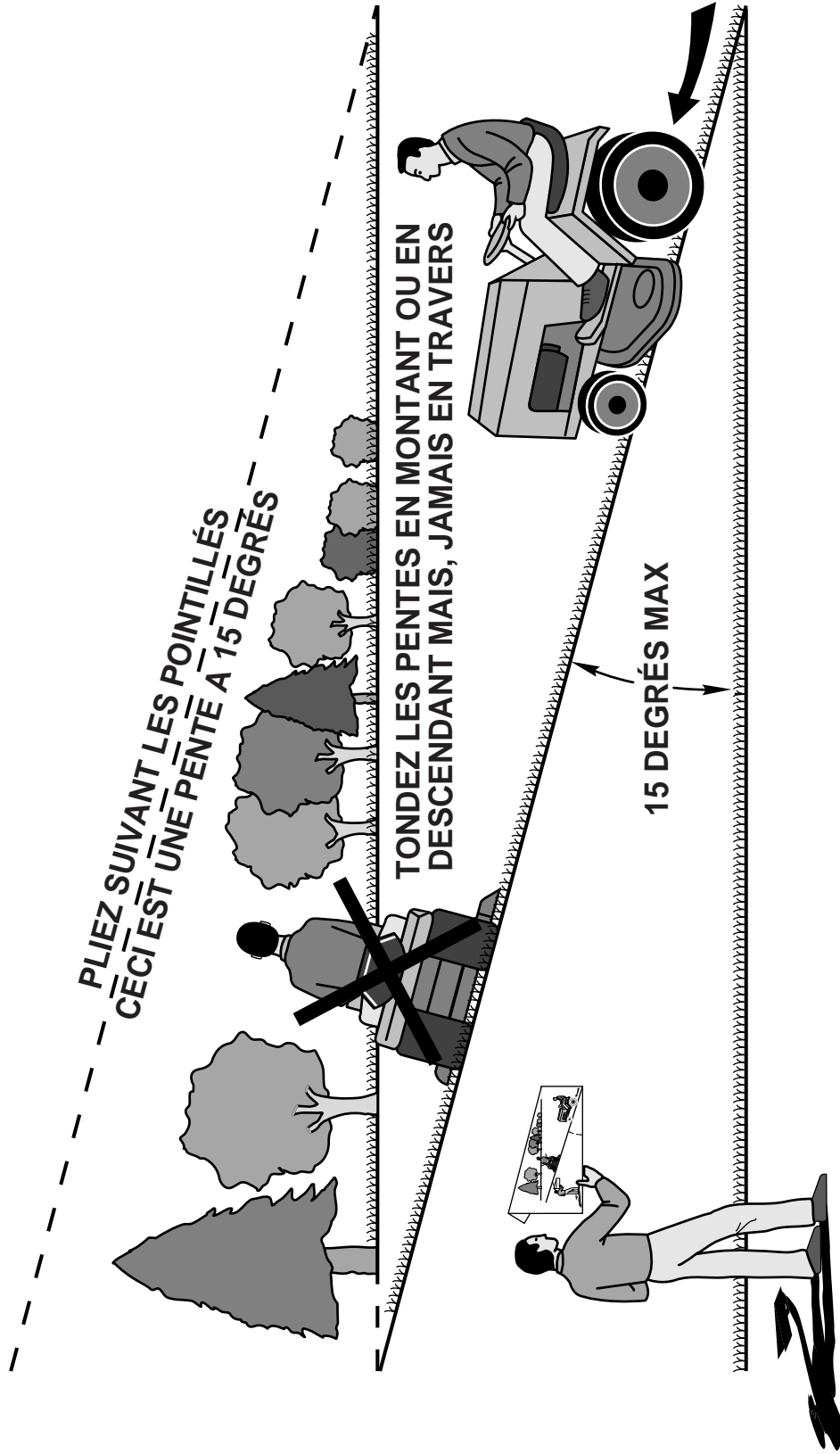
B. Description de la pièce

Pour l'assistance technique: appelez 1-800-829-5886

Pour un manuel de pièces, allez à notre site web: www.poulan-pro.com/support.asp

N.B.: HOP assure la distribution des pièces de rechange et l'entretien de ses produits par l'intermédiaire des concessionnaires et des distributeurs agréés; par conséquent toute demande de pièces ou d'entretien doit être adressée directement au distributeur agréé le plus proche. La philosophie de HOP est d'améliorer en permanence la gamme complète de ses produits. Si les caractéristiques ou l'apparence de votre outil sont différentes de celles décrites dans ce Manuel, contactez S.V.P. votre concessionnaire pour les informations et l'assistance concernant les mises à jour.

GUIDE SUGGÈRE POUR L'ÉVALUATION DES PENTES AFIN D'AMÉLIORER LA SÉCURITÉ D'UTILISATION



AVERTISSEMENT: Pour éviter de vous blesser gravement, utilisez votre tracteur parallèlement à la pente, jamais transversalement. N'affrontez pas de pentes de plus de 15 degrés. Effectuez les virages graduellement afin d'éviter le renversement ou la perte de contrôle. Soyez extrêmement prudent quand vous changez de directions sur les pentes.

1. Pliez cette page suivant les pointillées, comme précédemment.
2. Tenez cette page devant vous, avec le côté gauche parallèle à un tronc d'arbre ou à tout autre structure verticale.
3. Regardez à travers la pliure dans la direction de la pente que vous entendez mesurer.
4. Comparez l'angle de la pliure avec la colline.

GUIDE DE DÉPANNAGE

PROBLÈME	CAUSE	CORRECTION
Vibrations excessives de la tondeuse	<ol style="list-style-type: none"> La lame est usée, tordue, ou lâche. Un mandrin de lame est tordu. Des pièces sont lâches ou endommagées. 	<ol style="list-style-type: none"> Remplacez la lame. Serrez à fond le boulon de lame. Remplacez le mandrin de lame. Serrez les pièces lâches. Remplacez les pièces endommagées.
Le moteur marche- lorsqu'il est conduit lorsque le conducteur quitte le siège avec l'embrayage d'accessoire engagé	<ol style="list-style-type: none"> Le système qui détecte la présence du conducteur est défectueux. 	<ol style="list-style-type: none"> Vérifiez le câblage, les interrupteurs et les connexions. Si le problème n'est pas corrigé, contactez un centre d'entretien autorisé.
Coupe inégale	<ol style="list-style-type: none"> La lame est usée, tordue ou lâche. Le carter de tondeuse n'est pas équilibré. Il y a une accumulation d'herbe, de feuilles, et de débris sous la tondeuse. Un mandrin de lame est tordu. Les trous d'évent du carter de tondeuse sont obstrués par l'accumulation de l'herbe, de feuilles, et de débris autour des mandrins. 	<ol style="list-style-type: none"> Remplacez la lame. Serrez le boulon de lame. Nivelez le carter de tondeuse. Nettoyez dessous du boîtier de tondeuse. Remplacez le mandrin de lame. Nettoyez les faces de mandrin pour ouvrir les trous d'évent.
Les lames de tondeuse tournent pas	<ol style="list-style-type: none"> Une obstruction dans le mécanisme d'embrayage. La courroie d'entraînement de tondeuse est usée ou endommagée. Galet-tendeur grippé. Un mandrin de lame grippé. 	<ol style="list-style-type: none"> Enlevez l'obstruction. Remplacez la courroie d'entraînement de tondeuse. Remplacez le galet-tendeur. Remplacez le mandrin de lame.
Mauvaise décharge de l'herbe	<ol style="list-style-type: none"> La vitesse de moteur est trop lente. La vitesse de course est trop rapide. Herbe humide. Le carter de tondeuse n'est pas équilibré. La pression des pneus est basse ou inégale. La lame est usée, tordue ou lâche. Il y a une accumulation d'herbe, de feuilles, et de débris sous la tondeuse. La courroie d'entraînement de tondeuse est usée. Les lames n'ont pas été correctement montées. Les mauvaises lames ont été montées. Les trous d'évent du carter de tondeuse sont obstrués par l'accumulation de l'herbe, de feuilles, et de débris autour des mandrins. 	<ol style="list-style-type: none"> Déplacez la commande des gaz à la position rapide (FAST). Changez à une vitesse plus lente. Laissez sécher l'herbe avant de tondre. Nivelez le carter de tondeuse. Vérifiez la pression des pneus. Remplacez la lame ou affilez-la. Serrez le boulon de lame. Nettoyez dessous du boîtier de tondeuse. Remplacez la courroie d'entraînement de tondeuse. Réinstallez les lames avec le bord tranchant vers le bas. Remplacez les lames avec les lames recommandées dans ce manuel. Nettoyez les faces de mandrin pour ouvrir les trous d'évent.
Les phares (si muni)	<ol style="list-style-type: none"> L'interrupteur est à la position d'arrêt (OFF). Ampoule(s) ou lampe(s) grillées. L'interrupteur des phares est défectueux. Le câblage est lâche ou endommagé. Fusible sauté. 	<ol style="list-style-type: none"> Mettez l'interrupteur à la position marche (ON). Remplacez l'ampoule(s) ou lampe(s). Vérifiez/remplacez l'interrupteur des phares. Vérifiez le câblage et les connexions. Remplacez le fusible.
La batterie ne charge pas	<ol style="list-style-type: none"> Mauvais élément(s) de la batterie. Mauvaises connexions du câble. Régulateur défectueux (si muni d'un). Alternateur défectueux. 	<ol style="list-style-type: none"> Remplacez la batterie. Vérifiez/remplacez toutes les connexions. Remplacez le régulateur. Remplacez l'alternateur.
Une perte d'entraînement	<ol style="list-style-type: none"> La commande de la roue libre est en position-dégagée. Courroie d'entraînement de déplacement est usagée, endommagée, ou cassée. Air emprisonné dans la transmission pendant le transport ou le réglage. 	<ol style="list-style-type: none"> Mettez la commande de la roue libre en position engagée. Remplacez la courroie d'entraînement de déplacement. Purgez la transmission.
Pétarade au silencieux quand le moteur est coupé (OFF).	<ol style="list-style-type: none"> La commande des gaz de moteur n'est pas dans la position intermédiaire (entre rapide (FAST) et lent) avant de couper le moteur. 	<ol style="list-style-type: none"> Déplacez la commande des gaz dans la position intermédiaire (entre rapide et lent) avant de couper le moteur.
La tondeuse (ou son accessoire) s'arrête lorsque le tracteur passe en marche arrière	<ol style="list-style-type: none"> Le système de fonctionnement en marche arrière (ROS) est dans la position 'OFF'. 	<ol style="list-style-type: none"> Tournez le ROS dans la position 'ON'.

GUIDE DE DÉPANNAGE

PROBLÈME	CAUSE	CORRECTION
Le moteur refuse de démarrer	<ol style="list-style-type: none"> 1. Sans essence. 2. Le moteur n'est pas démarré à froid correctement. 3. Le moteur est noyé. 4. Mauvaise bougie d'allumage. 5. Filtre à air sale. 6. Filtre d'essence sale. 7. Il y a de l'eau dans l'essence. 8. Le câblage est lâche ou endommagé. 9. Le carburateur demande un réglage. 10. Les soupapes de moteur demandent un réglage. 	<ol style="list-style-type: none"> 1. Remplissez le réservoir d'essence. 1. Référez-vous à la section "POUR DÉMARRER LE MOTEUR" dans la section fonctionnement. 3. Attendez quelques minutes avant d'essayer de démarrer. 4. Remplacez la bougie d'allumage. 5. Nettoyez/remplacez le filtre à air. 6. Remplacez le filtre d'essence. 7. Vidangez l'essence du réservoir et du carburateur, remplissez le réservoir avec de l'essence fraîche, et remplacez le filtre d'essence. 8. Vérifiez tout le câblage. 9. Voyez la section "Pour Régler le Carburateur" dans la section Entretien et Réglages. 10. Contactez un centre d'entretien autorisé.
Démarrage difficile	<ol style="list-style-type: none"> 1. Filtre à air sale. 2. Mauvaise bougie d'allumage. 3. Batterie faible ou à plat. 4. Filtre d'essence sale. 5. L'essence sale ou vieille. 6. Le câblage est lâche ou endommagé. 7. Le carburateur demande un réglage. 8. Les soupapes de moteur demandent un réglage. 	<ol style="list-style-type: none"> 1. Nettoyez/remplacez le filtre à air. 2. Remplacez la bougie d'allumage. 3. Rechargez ou remplacez la batterie. 4. Remplacez le filtre d'essence. 5. Vidangez l'essence du réservoir d'essence et remplissez avec de l'essence fraîche. 6. Vérifiez tout le câblage. 7. Vérifiez/remplacez le contacteur d'allumage. 8. Vérifiez/remplacez le solénoïde ou le démarreur. 9. Contactez un centre d'entretien autorisé.
Moteur ne tourne pas aurlenti	<ol style="list-style-type: none"> 1. La pédale de frein/embrayage n'est pas baissée. 2. L'embrayage/d'accessoire est à la position embrayée. 3. Batterie faible ou à plat. 4. Fusible sauté. 5. Les bornes de batterie sont corrodées. 6. Le câblage est lâche ou endommagé. 7. Le contacteur d'allumage est défectueux. 8. Le solénoïde ou le démarreur est défectueux. 9. L'interrupteur qui détecte la présence du conducteur est défectueux. 	<ol style="list-style-type: none"> 1. Rechargez ou remplacez la batterie. 2. Nettoyez les bornes de batterie. 3. Vérifiez tout le câblage. 4. Vérifiez/remplacez le solénoïde ou le démarreur.
Il y a un déclin mais le moteur ne démarre pas	<ol style="list-style-type: none"> 1. Batterie faible ou à plat. 2. Les bornes de batterie sont corrodées. 3. Le câblage est lâche ou endommagé. 4. Le solénoïde ou le démarreur est défectueux. 	<ol style="list-style-type: none"> 1. Rechargez ou remplacez la batterie. 2. Nettoyez les bornes de batterie. 3. Vérifiez tout le câblage. 4. Vérifiez/remplacez le solénoïde ou le démarreur.
Le moteur manque de puissance	<ol style="list-style-type: none"> 1. Vous tondez trop d'herbe/la vitesse de la tondeuse est trop rapide. 2. La commande des gaz est à la position étrangleur. 3. Il y a une accumulation d'herbe, de feuilles, et de débris sous la tondeuse. 4. Filtre à air sale. 5. Niveau d'huile bas/huile sale. 6. La bougie d'allumage est défectueuse. 7. Filtre d'essence sale. 8. L'essence sale ou vieille. 9. Il y a de l'eau dans l'essence. 10. Un fil lâche sur la bougie d'allumage. 11. Tamis d'air du moteur/ailettes sont sales. 12. Silencieux sale ou encrassé. 13. Le câblage est lâche ou endommagé. 14. Le carburateur demande un réglage. 15. Les soupapes de moteur demandent un réglage. 	<ol style="list-style-type: none"> 1. Mettez à la position de coupe plus haute ou réduisez la vitesse. 2. Réglez la commande des gaz. 3. Nettoyez dessous du boîtier de tondeuse. 4. Nettoyez/remplacez le filtre à air. 5. Vérifiez le niveau d'huile/changez l'huile. 6. Nettoyez, ajustez l'écartement ou remplacez la bougie d'allumage. 7. Remplacez le filtre d'essence. 8. Vidangez l'essence du réservoir d'essence et remplissez le réservoir avec de l'essence fraîche. 9. Vidangez l'essence du réservoir et du carburateur, remplissez le réservoir avec de l'essence fraîche, et remplacez le filtre d'essence. 10. Branchez et serrez le fil de bougie d'allumage. 11. Nettoyez le tamis d'air du moteur/ailettes. 12. Nettoyez/remplacez le silencieux. 13. Vérifiez tout le câblage. 14. Voyez la section "Pour Régler le Carburateur" dans la section Entretien et Réglages. 15. Contactez un centre d'entretien autorisé.

ENTREPOSAGE

MOTEUR

SYSTÈME D'ESSENCE

IMPORTANT: C'EST TRÈS IMPORTANT D'ÉVITER LA FORMATION DES DÉPÔTS DE GOMME DANS LE CARBURATEUR, LE FILTRE D'ESSENCE, LE TUYAU D'ESSENCE OU LE RÉSERVOIR D'ESSENCE PENDANT L'ENTREPOSAGE. L'ÉTHANOL OU MÉTHANOL ET PARFOIS APPELÉS GASOHL) PEUVENT ATTIRER L'HUMIDITÉ QUI CAUSE LA SÉPARATION ET LA FORMATION D'ACIDE PENDANT L'ENTREPOSAGE. L'ESSENCE ACIDE PEUT AVARIER LE SYSTÈME DE CARBURANT DU MOTEUR PENDANT L'ENTREPOSAGE.

- Vidangez le réservoir d'essence en mettant en marche le moteur et le laissant courir jusqu'à ce que les conduites d'essence et le carburateur soient vides.
- N'utilisez jamais les produits spéciaux pour nettoyer le moteur et le carburateur dans le réservoir d'essence. L'emploi de ces produits pourrait causer des dégâts permanents.
- Utilisez de l'essence fraîche l'année suivante.

REMARQUE: Un stabilisateur d'essence est une option acceptée pour minimiser la formation des dépôts de gomme de carburant pendant l'entreposage. Ajoutez le stabilisateur à l'essence dans le réservoir d'essence ou dans le bidon de carburant. Suivez toujours le dosage de mélange inscrit sur le bidon de stabilisateur. Laissez tourner le moteur pendant au moins 10 minutes après avoir ajouté le stabilisateur pour lui permettre d'atteindre le carburateur. Ne vidangez pas le réservoir d'essence et le carburateur si le stabilisateur est utilisé.

HUILE DE MOTEUR

Vidangez l'huile (quand le moteur est chaud) et remplacez avec de l'huile de moteur fraîche. (Voir la section "MOTEUR" dans la section Entretien de ce manuel).

CYLINDRE(S)

- Enlevez la(s) bougie(s) d'allumage.
- Versez une once (29 ml) d'huile par l'orifice(s) de bougie d'allumage dans le(s) cylindre(s).
- Tournez la clé d'allumage à la position de démarrage (START) pendant quelques secondes pour répartir l'huile.
- Remplacez avec une nouvelle bougie d'allumage.

INFORMATION SUPPLÉMENTAIRE

- Ne conservez pas d'essence d'une saison à l'autre.
- Remplacez le bidon d'essence s'il commence à rouiller. La présence de rouille et/ou la saleté dans l'essence causera des problèmes.
- Entrez le tracteur à l'intérieur, si possible, et couvrez-le pour le protéger de la poussière et de la saleté.
- Couvrez le tracteur avec une couverture perméable. N'utilisez pas une couverture en plastique. Le plastique obscurte la circulation d'air et permet la formation de condensation qui fera rouiller le tracteur.

IMPORTANT: NE COUVREZ JAMAIS LE TRACTEUR QUAND LE MOTEUR ET LES ENDROITS D'ÉCHAPPEMENT SONT ENCORE CHAUDS.

TRACTEUR

Enlevez la tondeuse du tracteur quand vous l'entreposez pour l'hiver. Quand la tondeuse doit être entreposée pendant une longue période de temps, nettoyez-la à fond, enlevez toutes la saleté, la graisse, les feuilles, etc. Entrez le tracteur dans un endroit propre et sec.

- Nettoyez le tracteur entier (voir à la section de Nettoyage dans la section Entretien de ce manuel).
- Inspectez, et si nécessaire, remplacez les courroies (Rétenez-vous aux instructions de remplacement de la courroie dans la section de Entretien et Réglages de ce manuel).
- Lubrifiez comme illustré dans la section Entretien de ce manuel.
- Assurez-vous que tous les écrous, les boulons, et les vis soient bien fixés. Vérifiez toutes les pièces mobiles pour l'avarie, le bris, et l'usure. Remplacez-les si nécessaire.
- Retouchez toutes les surfaces peintes si elles se sont rouillées ou éraflées; sablez légèrement au papier émeri avant de peindre.

BATTERIE

- Chargez complètement la batterie avant d'entreposer.
- Il est parfois nécessaire de recharger la batterie après une longue période d'entreposage.
- Pour éviter la corrosion et les fuites de puissance pendant une longue période d'entreposage, les câbles de batterie devraient être débranchés et la batterie devrait être nettoyée à fond (référer-vous à la section de "NETTOYER LA BATTERIE ET LES BORNES" dans la section Entretien de ce manuel).
- Après le nettoyage, laissez débrancher les câbles et mettez-les où ils ne puissent pas entrer en contact avec les bornes de batterie.
- Si la batterie est enlevée du tracteur pour l'entreposage, ne mettez pas la batterie directement sur une surface bétonnée ou humide.



AVERTISSEMENT: N'entreposez jamais le tracteur dans un bâtiment lorsque le réservoir contient de l'essence ou les vapeurs pourraient parvenir à une flamme nue ou une étincelle. Permettez le moteur de refroidir avant de l'entreposer dans une enceinte.

Réparez immédiatement votre tracteur pour d'entreposage à la fin de la saison ou si le tracteur ne sera pas utilisé pendant une période de 30 jours ou plus.

REVISION ET REGLAGES

REPLACER LA BATTERIE (Voir la Fig. 37)



AVERTISSEMENT: Ne court-circuitez pas les bornes de batterie avec une clé ou autres objets qui toucheraient simultanément les deux bornes. Avant d'installer la batterie, enlevez tous les bijoux, les bracelets de montre, les bagues métalliques, etc. Il faut brancher la borne positive en premier pour prévenir les étincelles causées par une mise à la terre accidentelle.

- Levez le capot.
- Enlevez le protecteur des bornes
- Premièrement débranchez le câble de batterie NOIR et ensuite le câble de batterie ROUGE et enlevez la batterie du tracteur.
- Installez la nouvelle batterie en plaçant les bornes au même endroit que l'ancienne batterie.
- Réinstallez protecteur des bornes.
- Premièrement branchez le câble de batterie ROUGE à la borne positive (+) avec un boulon H et écrou à taquets comme monté. Serrez à fond.
- Branchez le câble de masse de batterie NOIR à la borne négative (-) avec le boulon H et écrou à taquets qui restent. Serrez à fond.
- Fermez les portes d'accès aux bornes.
- Fermez le capot.

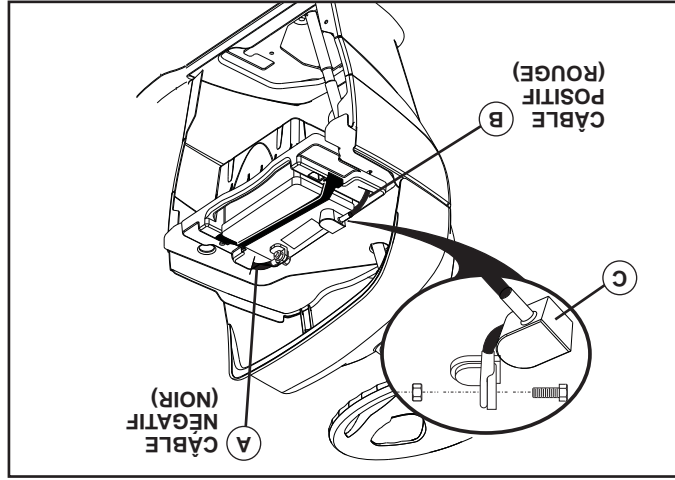


Fig. 37

POUR REMPLACER L'AMPOULE DES PHARES

- Soulevez le capot.
- Dégagez de la douille d'ampoule de l'arrière de la calandre.
- Réinstallez l'ampoule dans la douille et poussez à fond la douille d'ampoule dans l'orifice à l'arrière de la calandre.
- Fermez le capot.

VERROUS ET RELAIS

- Un câblage desserré ou avarié peut être la cause du mauvais fonctionnement, de l'arrêt ou du non-démarrage du tracteur.
- Vérifiez le câblage. Voir le schéma de câblage électrique dans la section Pièces de Remplacement.

POUR REMPLACER LE FUSIBLE

Remplacez par un fusible enfichable de type automobile, de 20A. Le porte-fusible est situé directement derrière le tableau de bord.

(Voir la Fig. 38)

- Soulevez le capot.
- Débranchez le connecteur des câbles des phares.
- Placez-vous au devant le tracteur. Empoignez le capot et les panneaux latéraux, inclinez-le un peu vers le moteur et soulevez-le du tracteur.
- Pour le réinstaller, inversez les étapes ci-dessus.

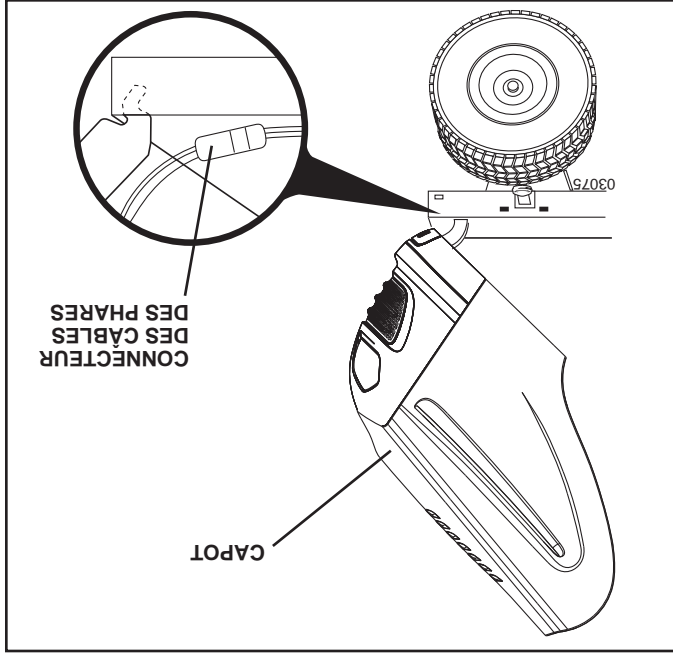


Fig. 38

TRANSMISSION

ENLEVEMENT/REMPLACEMENT

Si votre transmission doit être retirée pour un entretien ou pour être remplacée, elle doit être purgée après avoir été réinstallée et avant de faire fonctionner le tracteur. Voir "PURGEZ LA TRANSMISSION" dans la section Utilisation de ce manuel.

MOTEUR

POUR RÉGLER LE CÂBLE DE LA COMMANDE DES GAZ

La commande des gaz a été pré réglée à l'usine et un réglage ne devrait pas être nécessaire. Si un réglage est nécessaire, voir le manuel du moteur.

POUR RÉGLER LA COMMANDE DU STARTER

La commande du starter a été pré réglée à l'usine et un réglage ne devrait pas être nécessaire. Si un réglage est nécessaire, voir le manuel du moteur.

POUR RÉGLER LE CARBURATEUR

Votre carburateur n'est pas réglable. Si votre moteur ne fonctionne pas correctement à cause des problèmes avec le carburateur, veuillez apporter la tondeuse à gaz au centre d'entretien autorisé le plus proche pour faire la réparation et/ou le réglage.

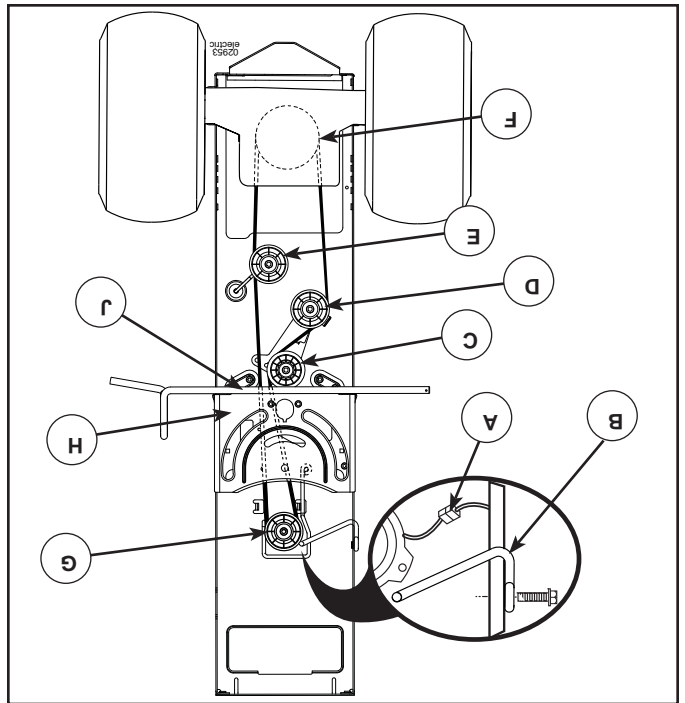


Fig. 34

POUR RÉGLER L'ALIGNEMENT DE LA DIRECTION

Si les barres transversales du volant de direction ne sont pas en position horizontale (de gauche à droite) quand les roues du tracteur sont droites, enlevez le volant de direction et rassemblez-le selon les directives indiquées dans la section "Montage" de ce manuel.

CONVERGENCE DES ROUES AVANT/CARROSSAGE

La convergence et le carrossage des roues avant ne sont pas réglable sur votre tracteur. Si des dommages affectent la convergence ou le carrossage des roues avant, contactez le centre d'entretien autorisé le plus proche.

POUR ENLEVER LES ROUES POUR LES RÉPARATIONS (Voir la Fig. 35)

- Fixes solidement des cales sous l'essieu.
 - Enlevez le couvre-essieu, la bague de retenue et les rondelles pour permettre l'enlèvement de la roue (la roue arrière contient une clé carrée - ne la perdez pas).
 - Réparez le pneu et rassemblez-le.
 - Sur les roues arrière seulement: alignez les rainures dans le moyeu de roue arrière et l'essieu. Insérez la clé carrée.
 - Réinstallez les rondelles et insérez à fond la bague de retenue dans la rainure d'essieu.
 - Réinstallez le couvre-essieu.
- REMARQUE:** Pour boucher les crevaisons de pneus et pour un obturateur pour pneu chez votre détaillant de pièces. Evitez de prévenir les pneus à plat à cause des fuites, vous pouvez acheter un obturateur prévient aussi l'assèchement et la corrosion du pneu.

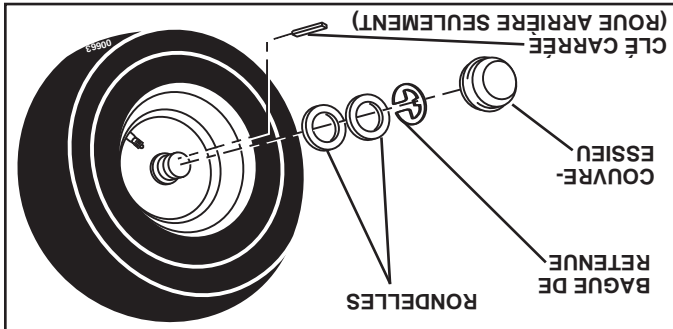


Fig. 35

POUR DÉMARRER LE MOTEUR AVEC UNE BATTERIE FAIBLE (Voir la Fig. 36)

AVERTISSEMENT: Les batteries au plomb et à l'acide produisent des gaz explosifs. Gardez les étincelles, les flammes, les cigarettes, etc. loin des batteries. Portez toujours des lunettes protectrices lorsque vous êtes près d'une batterie.



Si votre batterie est trop faible pour démarrer le moteur, elle devrait être rechargée. (Voir "BATTERIE" dans la section Entretien de ce manuel).

Si vous utilisez des "câbles de survoltage" pour un démarrage d'urgence, voici le procédé à suivre:

IMPORTANT: VOTRE TRACTEUR EST MUNI D'UN SYSTÈME DE 12 VOLTS. L'AUTRE VÉHICULE DOIT AUSSI AVOIR UN SYSTÈME DE 12 VOLTS. N'UTILISEZ PAS LA BATTERIE DU TRACTEUR POUR DÉMARRER LES AUTRES VÉHICULES.

POUR ATTACHER LES CÂBLES DE DÉMARRAGE -

- Branchez chaque extrémité du câble ROUGE à la borne (A-B) POSITIVE (+) de chaque batterie (en faisant bien attention de ne pas court-circuiter contre le châssis).
 - Branchez une extrémité du câble NOIR à la borne (C) NÉGATIVE (-) de la batterie complètement chargée.
 - Branchez l'autre extrémité du câble NOIR (D) au châssis mis à la masse. Maintenez les câbles loin du réservoir d'essence et de la batterie.
- POUR ENLEVER LES CÂBLES, RENVERSEZ LES PROCÉDURES -**
- Débranchez d'abord le câble NOIR du châssis et ensuite de la batterie chargée complètement.
 - Débranchez ensuite le câble ROUGE des deux batteries.

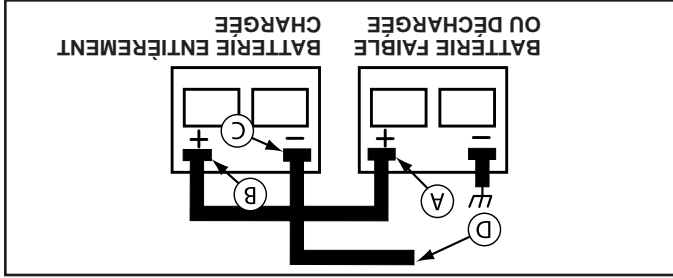


Fig. 36

REVISION ET REGLAGES

POUR VÉRIFIER LES FREINS

À vitesse normale et sur une surface de niveau en ciment ou pavée, si plus de 5 pieds (1,5 mètre) sont nécessaires pour arrêter le tracteur, vous devez faire vérifier les freins.

Vous pouvez également vérifier les freins ainsi :

1. Stationnez le tracteur sur une surface de niveau en ciment ou pavée, abaissez complètement la pédale de frein/d'embrayage et actionnez le frein de stationnement.
2. Dénclenchez la transmission en plaçant le contrôle de roue libre à la position « transmission désengagé » (transmission désenclenchée). Tirez sur le contrôle de roue libre et placez-le dans la rainure et relâchez-le de façon à ce qu'il soit dans la position désenclenchée.

Les roues arrière doivent être bloquées et déraper lorsque vous tentez de pousser le tracteur vers l'avant. Si les roues arrière tournent, les freins doivent être vérifiés. Communiquez avec un centre d'entretien professionnel.

POUR REMPLACER LA COURROIE D'ENTRAÎNEMENT (voir la Fig. 34)

Stationnez le tracteur sur une surface de niveau. Actionnez le frein de stationnement. En cas de besoin, un autocollant servant de guide à l'installation de la courroie se trouve sur le dessous du repose-pied gauche.

RETIRER LA COURROIE

1. Retirez la tondeuse (voir « POUR ENLEVER LA TONDEUSE » dans la présente section du manuel).

REMARQUE : jetez un œil sur l'ensemble de la courroie et la position de tous les guides et dispositifs de retenue.

2. Débranchez le faisceau de câbles de l'embrayage (A).
3. Retirez la bielle anti rotation (B) à la droite du tracteur.
4. Retirez la courroie de la poulie de tension fixe (C) et la poulie d'embrayage (D).
5. Retirez la courroie de la poulie de tension centrale (E).
6. Tirez la courroie libre vers l'arrière du tracteur. Retirez soigneusement la courroie de la poulie d'entrée de la transmission vers le haut et sur les lames du ventilateur (F).
7. Déroulez la courroie de la poulie motrice vers le bas et autour de l'embrayage électrique (G).
8. Faites glisser la courroie vers l'arrière du tracteur, à l'extérieur de la plaque de direction (H) et retirez-la du tracteur.

INSTALLATION DE LA COURROIE

1. Installez une nouvelle courroie en partant de l'arrière du tracteur vers l'avant, sur la plaque de direction (H) et au-dessus de l'arbre de la pédale de frein/d'embrayage (J).
2. Tirez la courroie vers l'avant du tracteur et enroulez-la autour de l'embrayage électrique et de la poulie motrice (G).
3. Tirez la courroie vers l'arrière du tracteur. Enroulez soigneusement la courroie sous le ventilateur de la transmission et sur la poulie d'entrée (F). Assurez-vous que la courroie est bien à l'intérieur du dispositif de retenue.
4. Installez la courroie sur la poulie de tension centrale (E).
5. Faites passer la courroie dans la poulie de tension fixe (C) et la poulie d'embrayage (D).
6. Installez de nouveau la bielle anti rotation (B) à la droite du tracteur. Serrez fermement.
7. Branchez de nouveau le faisceau de câbles de l'embrayage (A).
8. Assurez-vous que la courroie est bien en place dans les rainures des poulies, ainsi que les guides et les dispositifs de retenue.

Installez la tondeuse (voir « POUR INSTALLER LA TONDEUSE » dans la présente section du manuel).

POUR REMPLACER LA COURROIE DE LA LAME DE LA TONDEUSE (voir la Fig. 33)

Stationnez le tracteur sur une surface de niveau. Actionnez le frein de stationnement.

- Abaissez le levier le levage à sa position la plus basse.
- Dégagez la tige de tension de la courroie (K) de la manette de verrouillage (L).

ATTENTION : La tige de tension de la courroie possède un mécanisme à ressort. Tenez fermement la tige et relâchez-la lentement.



INSTALLATION DE LA COURROIE DE LA LAME DE LA TONDEUSE

- Installez la courroie autour des poulies des mandrins (R) et autour des poulies de tension (V) tel que montré.
- Installez la courroie sur la poulie de l'embrayage électrique (M).
- **IMPORTANT: Assurez-vous que la courroie est bien en place dans les sillons des poulies de la tondeuse.**
- Remplacez les couvercles des mandrins gauche et droit (Q).
- Vissez fermement toutes les vis.
- Enclenchez la tige de tension de la courroie (K) de la manette de verrouillage (L).

ATTENTION : La tige de tension de la courroie possède un mécanisme à ressort. Tenez fermement la tige et enclenchez-la lentement.



- Soulevez le levier de levage à sa position la plus haute.

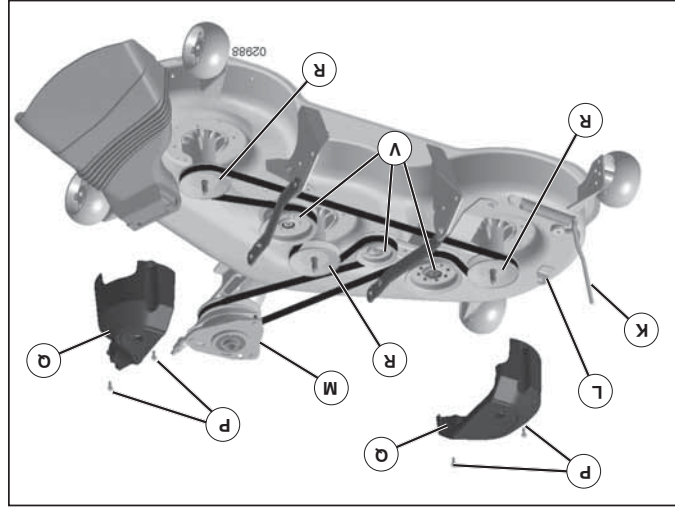


Fig. 33

REVISION ET REGLAGES

POUR AJUSTER LE NIVEAU LA TONDEUSE

Assurez-vous que les pneus soient gonflés jusqu'à la pression en PSI indiquée sur ceux-ci. S'ils sont trop ou pas assez gonflés, ceci peut affecter l'apparence de votre pelouse et vous faire croire que votre tondeuse n'est pas ajustée correctement.

Assurez-vous que vos pneus soient gonflés adéquatement. Si votre pelouse ne semble pas coupée de façon uniforme, déterminez quel côté de la tondeuse coupe plus bas.

REMARQUE : Vous pouvez soulever le côté abaissé de la tondeuse ou abaisser le côté surélevé, tel que désiré.

Alliez du côté où un ajustement est nécessaire. À l'aide d'une clé ajustable ou de 3/4", tournez l'écrou de réglage de la bielle de lavage (A) vers la gauche pour abaisser la tondeuse, ou vers la droite pour la soulever.

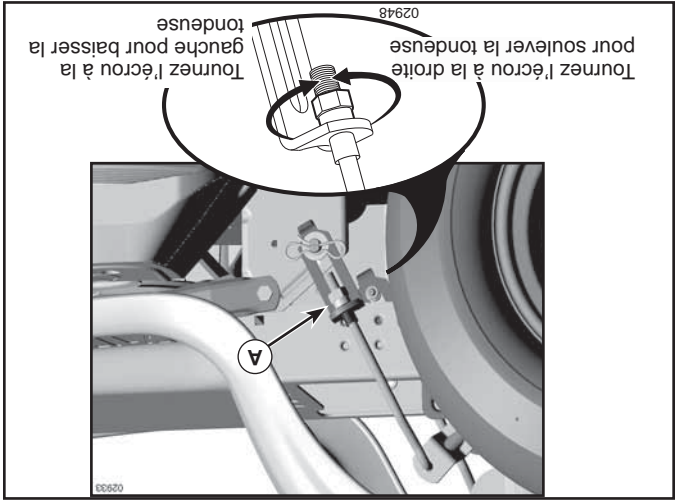


Fig. 29

REMARQUE: Chaque tour complet de l'écrou de réglage modifie la hauteur de la tondeuse d'environ 3/16".

• Vérifiez l'ajustement en tondant de la pelouse non coupée et en vérifiant sont apparence. Faites un autre ajustement si nécessaire, jusqu'à ce que vous soyez satisfait du résultat.

AJUSTEMENT LATÉRAL DE PRÉCISION (Voir la Fig. 30)

• Assurez-vous que vos pneus sont adéquatement gonflés, puis stationnez le tracteur sur un terrain de niveau ou une entrée de cour.

ATTENTION : Les lames sont tranchantes. Protégez vos mains en portant des gants ou en enveloppant les lames d'un tissu épais.

• Soulevez la tondeuse à sa position la plus haute.

• D'un côté et de l'autre de la tondeuse, placez la lame de côté et mesurez la distance (A) du bord inférieur de la lame jusqu'au sol. La distance devrait être la même des deux côtés.

• Si un ajustement est nécessaire, voyez les étapes des instructions Ajustement visuel ci-dessus.

• Vérifiez de nouveau les mesures, ajustez si nécessaires jusqu'à ce que les deux côtés soient égaux.

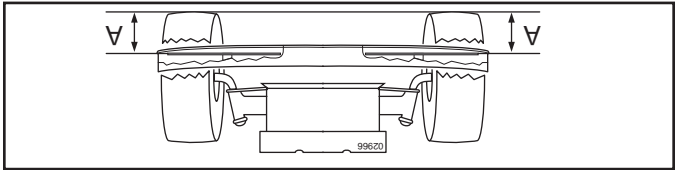


Fig. 30

21

IMPORTANT : La plateforme doit être au même niveau d'un côté et de l'autre.

Pour obtenir de meilleurs résultats, les lames de la tondeuse doivent être ajustées de sorte que la pointe avant est 1/8" à 1/2" inférieure à la pointe arrière lorsque la tondeuse est à sa position la plus élevée.

ATTENTION: Les lames sont tranchantes. Protégez vos mains en portant des gants ou en enveloppant les lames d'un tissu épais.

• Soulevez la tondeuse à sa position la plus haute.

• Placez n'importe quelle lame de façon à ce que la pointe soit vers l'avant. Mesurez la distance (B) au sol à la pointe avant et la pointe arrière de la lame.

• Si la pointe avant de la lame n'est pas de 1/8" à 1/2" plus basse que la pointe arrière, allez à l'avant du tracteur.

• À l'aide d'une clé ajustable ou de 11/16", dévissez l'écrou de serrage (A) pour dépasser l'écrou de réglage (B).

• À l'aide d'une clé ajustable ou de 3/4", faites tourner l'écrou de réglage de la bielle avant (B) dans le sens horaire (vis-à-vis) pour soulever l'avant de la tondeuse ou dans le sens antihoraire (dévisser) pour abaisser l'avant de la tondeuse.

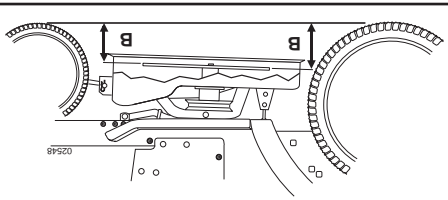


Fig. 31

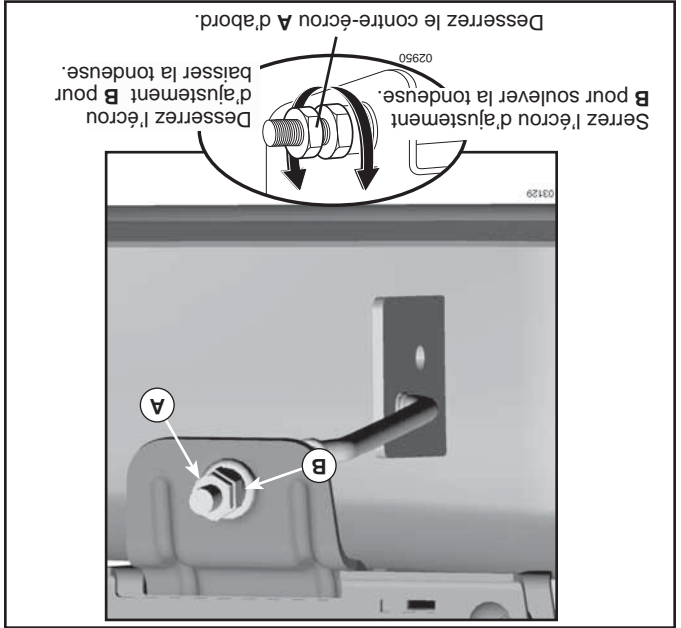


Fig. 32

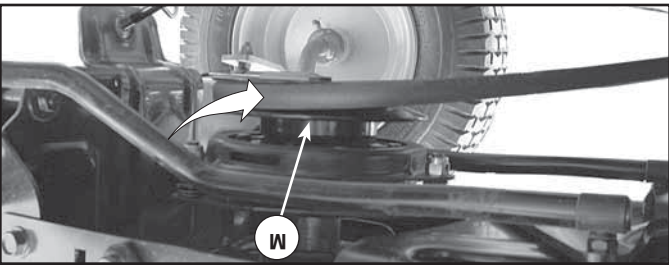
REMARQUE : Chaque tour complet de l'écrou de réglage modifie la hauteur de la tondeuse d'environ 1/8".

• Vérifiez de nouveau les mesures, ajustez si nécessaire jusqu'à ce que la pointe avant de la lame est 1/8" à 1/2" inférieure à la pointe arrière.

• Maintenez l'écrou de réglage en place avec la clé et serrez le contre-écrou fermement contre l'écrou de réglage.

REVISION ET REGLAGES

- Installez la courroie sur la poulie de l'embrayage avant (M).



- Remplacez le volant de sorte que les roues soient droites, vers l'avant.

- **FIXEZ LA BIELLE AVANT (E)** – Commencez à la gauche du tracteur. Insérez l'embout de l'assemblage de la bielle dans l'orifice avant du support de suspension avant du tracteur (F) et fixez fermement à l'aide d'un ressort-arrêt (G) par l'orifice de la bielle situé derrière le support.
- Insérez l'autre embout de la bielle (E) dans l'orifice du support avant de la tondeuse (H) et fixez fermement à l'aide d'une rondelle et d'un ressort-arrêt (J).
- Dégagez la tige de tension de la courroie (K) de la manette de verrouillage (L).

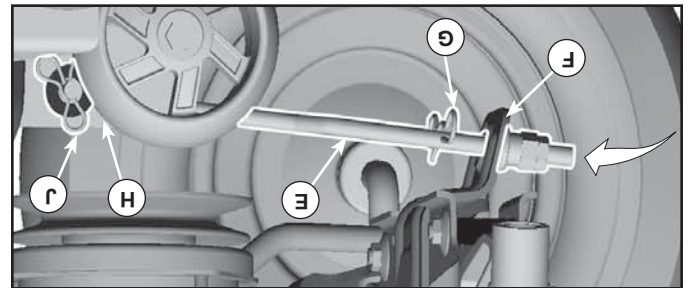


Fig. 26

- **IMPORTANT** : Assurez-vous que la courroie est bien en place dans les sillons des poulies de la tondeuse.
- Enclenchez la tige de tension de la courroie (K) de la manette de verrouillage (L).

ATTENTION : La tige de tension de la courroie possède un mécanisme à ressort. Tenez fermement la tige et enclenchez-la lentement.

- Soulevez le levier de levage à sa position la plus haute.
- Si nécessaire, ajustez les roues de réglage avant d'utiliser la tondeuse, tel que montré dans la section Fonctionnement de ce manuel.

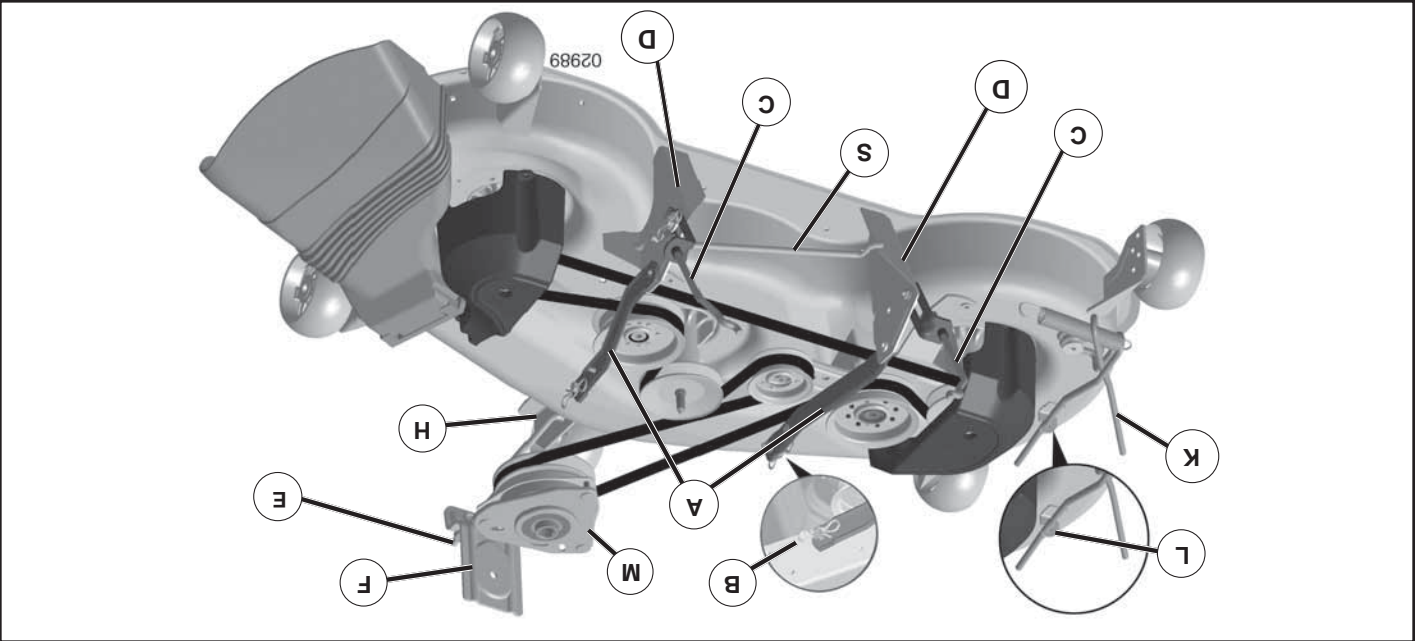


Fig. 28

REVISION ET REGLAGES

- **REMARQUE :** Assurez-vous que les bras de suspension latéraux de la tondeuse (A) pointent vers l'avant avant de glisser la tondeuse sous le tracteur.
- Glisser la tondeuse sous le tracteur, jusqu'à ce qu'elle soit au centre de celui-ci.

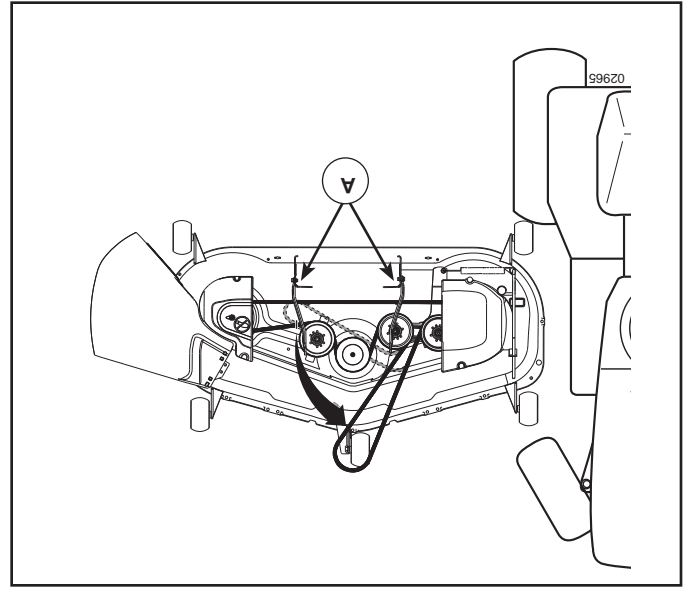


Fig. 21

- **INSTALLEZ D'ABORD LA BARRE ANTI-ROULIS (S).**
 - En commençant par le côté droit de la tondeuse, insérez la barre anti-roulis dans l'orifice du support de transmission (T).

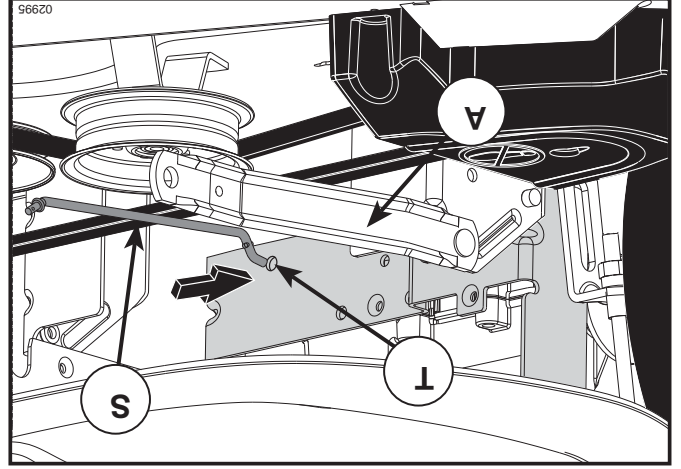


FIG. 22

- Faites pivoter la barre vers vous et insérez l'autre extrémité dans l'orifice à l'arrière du support arrière de la tondeuse (D). Bougez la tondeuse au besoin pour insérer la barre.
- Fixez solidement en place à l'aide d'une rondelle et d'un petit 5/16 ressort-arretoir, tel que montré.

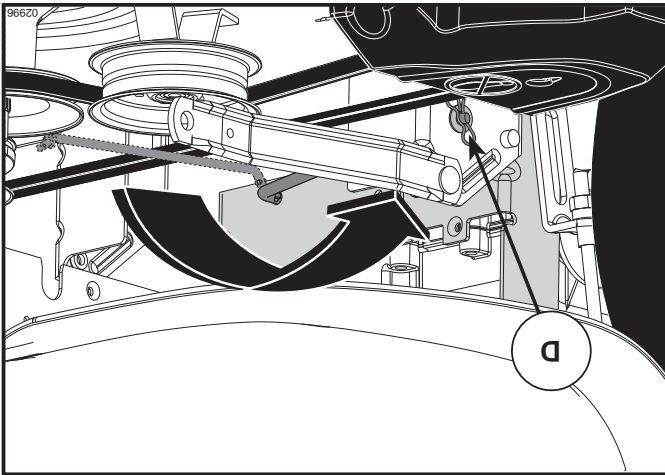


FIG. 23

- **FIXEZ LES BRAS DE SUSPENSION LATÉRAUX DE LA TONDEUSE AU CHASSIS -** Placez l'orifice du bras sur la tige (B) à l'extérieur du châssis du tracteur et fixez solidement à l'aide d'une rondelle et d'un ressort-arretoir.
- Répétez de l'autre côté du tracteur.

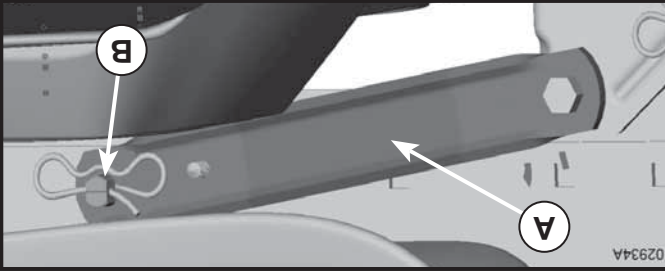


FIG. 24

- **ATTACHEZ LES BIELLES ARRIÈRES (C) -** Soulevez le coin arrière de la tondeuse et positionnez la rainure du bras sur la tige du support arrière de la tondeuse et fixez fermement à l'aide d'une rondelle et d'un ressort-arretoir.
- Répétez de l'autre côté du tracteur.

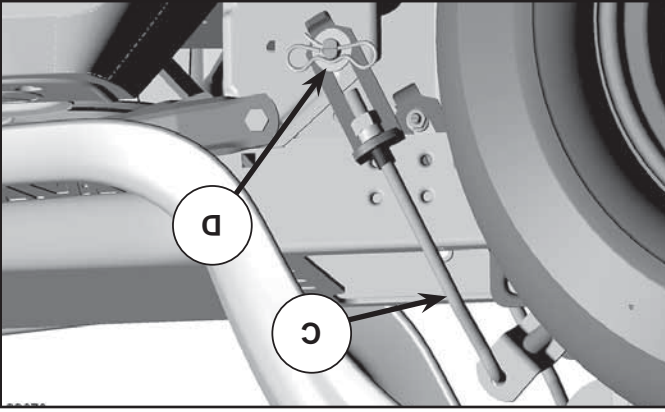


FIG. 25

REVISION ET REGLAGES

AVERTISSEMENT: POUR ÉVITER DES DOMMAGES SÉRIEUX, AVANT DE FAIRE TOUTES LES RÉVISIONS OU RÉGLAGES.



- Appuyez sur la pédale de frein et engagez le frein de stationnement.
- Placez l'embrayage d'accessoire en position débrayée (DISENGAGED).
- Tournez la clé de contact à la position d'arrêt (STOP) et enlevez-la.
- Assurez-vous que les lames et toutes les pièces tournantes se soient arrêtées.
- Débranchez le câble de bougie d'allumage et posez-le de telle façon qu'il ne puisse pas entrer en contact avec la bougie d'allumage.

POUR ENLEVER LA TONDEUSE (Voir la Fig. 19)

INSTALLER LA TONDEUSE (Voir les Figs. 19 - 28)

- Assurez-vous que le tracteur se trouve sur une surface de niveau et actionnez le frein de stationnement.
- Abaissez le levier de levage à sa position la plus basse.

ATTENTION : Le levier possède un mécanisme à ressort. Tenez fermement le levier le levage, abaissez-le lentement et enclenchez-le à sa position la plus basse.



ATTENTION: La tige de tension de la courroie possède un mécanisme à ressort. Tenez fermement la tige et relâchez-la lentement.



- Placez le contrôle d'embrayage d'accessoire à la position "DÉGAGÉ".
- Abaissez le levier le levage à sa position la plus basse.
- Dégagez la tige de tension de la courroie (K) de la manette de verrouillage (L).

- Retirez la courroie de la tondeuse de la poulie de l'embrayage électrique (M).
- Enlevez la bielle avant (E) de la tondeuse – retirez le ressort-arrêt et la rondelle.
- En commençant d'un côté ou de l'autre de la tondeuse, désengagez le bras de suspension (A) de la tondeuse du châssis et la bielle de levage arrière (C) du support arrière de la tondeuse (D) – retirez les ressorts-arrêts et les rondelles.
- Allez de l'autre côté de la tondeuse et désengagez le bras de suspension et la bielle arrière.

ATTENTION: Après avoir désengagé les billes, le levier d'accrochage possède un mécanisme à ressort. Tenez fermement le levier lorsque vous changez sa position.



- À la droite de la tondeuse, désengagez la barre anti-roulis (S) du support arrière droit de la tondeuse (D) – retirez le ressort-arrêt et la rondelle puis tirez vers vous jusqu'à ce que la barre tombe de l'orifice du support.
- Tournez le volant du tracteur aussi loin que possible vers la gauche.
- Glissez la tondeuse du dessous du tracteur.

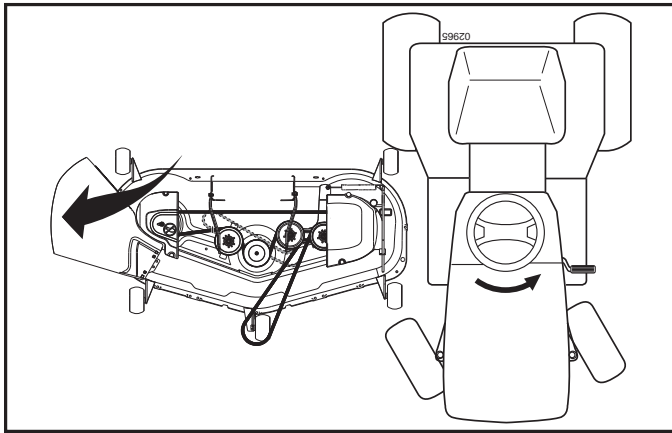


Fig. 20

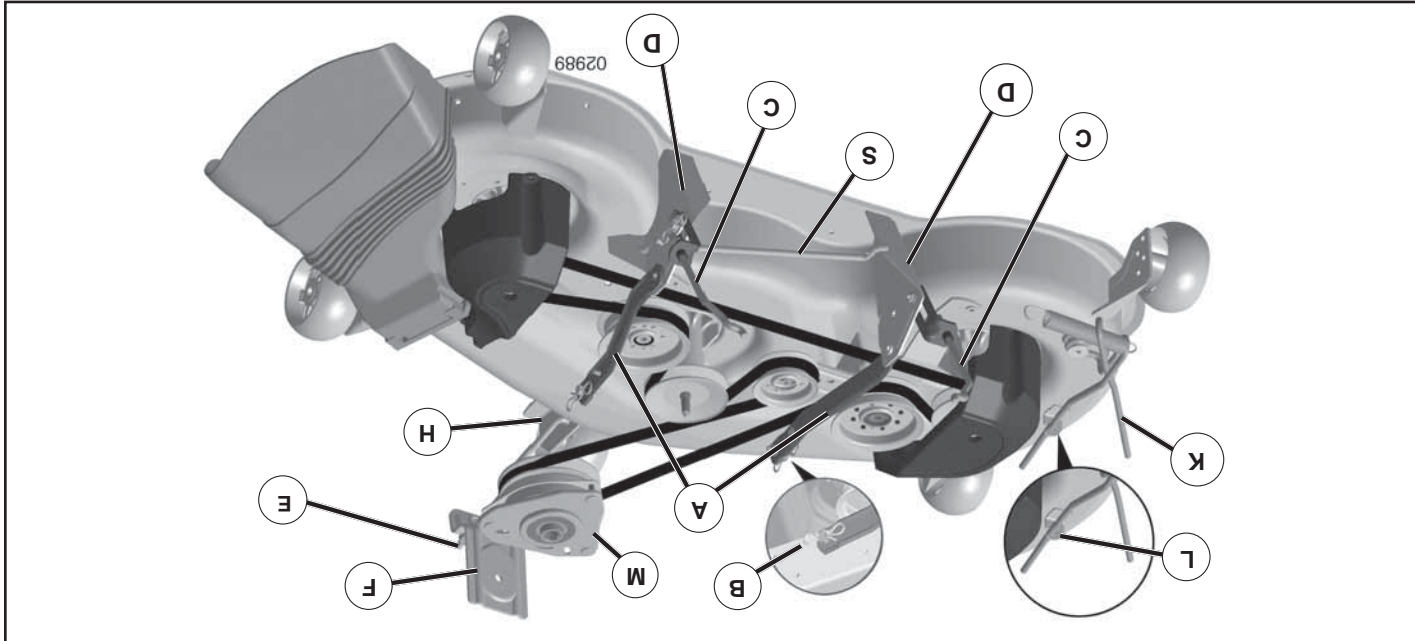


Fig. 19
18

POUR CHANGER L'HUILE DE MOTEUR

(Voir la Fig. 17)

- Déterminez la gamme de températures prévue avant le changement d'huile. Toute l'huile doit avoir la classification API SG-SL. Assurez-vous que le tracteur soit stationné sur un terrain plat.
- L'huile se vidangera plus librement quand elle est chaude.
- Recueillez l'huile dans un récipient approprié.
- Enlevez le bouchon de remplissage d'huile avec la jauge d'huile. Ne permettez pas que des saletés entrent dans le moteur quand vous changez l'huile.
- Enlevez le bouchon jaune du raccord inférieur de la soupape de vidange et installez le tube de vidange sur le raccord fileté.

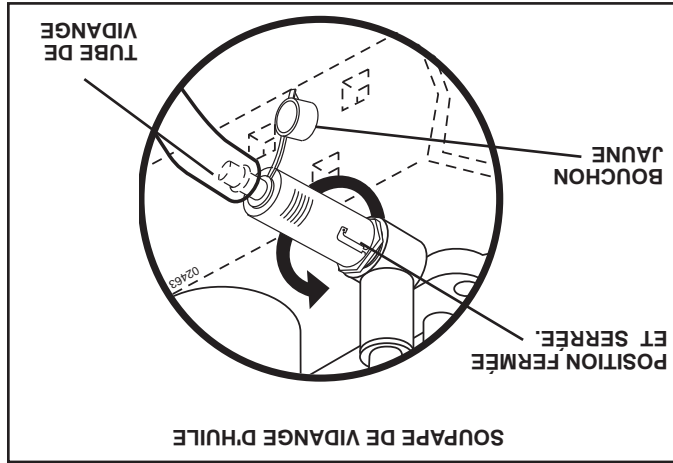


Fig. 17

- Dérivez la soupape de vidange en poussant vers l'intérieur et en tournant dans le sens contraire des aiguilles d'une montre.
- Pour ouvrir, tirez sur la soupape de vidange.
- Après que l'huile se soit écoulée complètement, serrez et verrouillez la soupape de vidange en poussant vers l'intérieur et en tournant dans le sens des aiguilles d'une montre jusqu'à ce que la cheville soit en position verrouillée comme montré.
- Retirez le tube de vidange et remettez le bouchon sur le raccord inférieur de la soupape de vidange.
- Remplissez le moteur avec l'huile dans le tube de la jauge de remplissage d'huile. Versez lentement. N'en mettez pas trop. Voir la section de "SPECIFICATIONS DU PRODUIT" pour la capacité approximative.

SYSTÈME DE VENTILATION

Pour assurer le refroidissement correct, assurez-vous que le tamis d'air, les ailettes de refroidissement, et les autres surfaces extérieures du moteur soient propres en tout temps. Toutes les 100 heures d'utilisation (plus souvent dans des conditions poussiéreuses et sales), enlevez le bouchon de soufflerie et les autres déflecteurs d'air de refroidissement. Nettoyez les ailettes de refroidissement et les surfaces extérieures si nécessaire. Assurez-vous que les déflecteurs d'air de refroidissement soient réinstallés.

REMARQUE: Si vous utilisez le moteur avec un tamis d'air ou des déflecteurs d'air de refroidissement enlevés, le moteur pourra être endommagé à cause du surchauffage.

FILTRE À AIR

Votre moteur ne fonctionne pas correctement avec un filtre à air sale. Nettoyez le filtre à air plus souvent si utilisé dans les endroits très poussiéreux ou sales. Voir le manuel du moteur.

NETTOYER LE TAMIS D'AIR

Le tamis d'air doit être libre de saleté et de balle de céréale pour éviter d'endommager le moteur à cause du surchauffage. Nettoyez-le avec une brosse en fer ou de l'air comprimé pour enlever toutes les saletés, la paille, et les fibres de gomme sèches.

SILENCIEUX

Inspectez le silencieux et le pare-étincelles (s'il y a lieu) et remplacez-les. Ils pourraient créer des risques d'incendie et/ou d'endommagement.

BOUGIE D'ALLUMAGE

Remplacez les bougies d'allumage au début de chaque saison de tonte ou après toutes les 100 heures d'utilisation selon qui se présente en premier. Pour le type de bougie d'allumage et le réglage d'écartement, référez-vous à la section de "SPECIFICATIONS DU PRODUIT" de ce manuel.

FILTRE D'ESSENCE INSTALLÉ EN LIGNE

(Voir la Fig. 18)

- Le filtre d'essence devrait être remplacé au moins chaque saison. Si le filtre d'essence est bouché et obstrue l'écoulement d'essence au carburateur, il faut le remplacer.
- Quand le moteur est froid, enlevez le filtre et bouchez les tronçons de conduite d'essence.
- Posez le nouveau filtre dans la conduite d'essence avec la flèche pointant vers le carburateur.
- Assurez-vous qu'il n'y ait pas de fuites de la conduite d'essence et que les brides de serrage soient bien placées.
- Nettoyez immédiatement l'essence renversée.

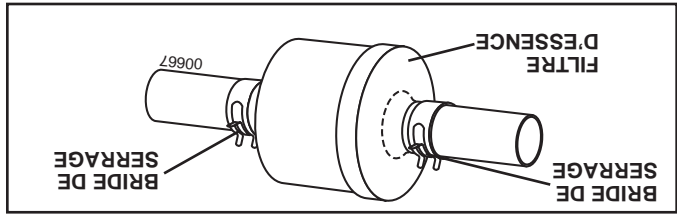


Fig. 18

NETTOYAGE

- Nettoyez le moteur, la batterie, le siège, et la finition, etc. de toutes les matières étrangères.
- Conservez la propreté de la finition et des roues en enlevant soigneusement l'essence, l'huile etc.
- Protégez les surfaces peintes avec une cire d'auto.

Nous ne recommandons pas l'utilisation d'un tuyau d'arrosage ou d'un système de lavage sous pression pour nettoyer votre tracteur, à moins que le moteur et la transmission soient recouverts pour éviter l'infiltration de l'eau à l'intérieur. Si de l'eau s'infiltra à l'intérieur du moteur ou de la transmission, l'eau comprimée ou une soufflerie à feuilles pour enlever le gazon, les feuilles ainsi que les débris de votre tracteur et de votre tondeuse.

RACCORD DE LAVAGE DU PLATEAU DE COUPE (voir la Fig. 16)

Le plateau de coupe de votre tracteur est équipé à la surface d'un raccord de lavage qui fait partie du système de lavage du plateau de coupe. Il convient de l'utiliser après chaque emploi.

- Conduisez le tracteur vers un endroit plat et dégagé de votre pelouse, suffisamment près pour atteindre le robinet d'eau
- Assurez-vous que la PDF (Embrayage de lame) n'est pas engagée, serrez le frein de stationnement et coupez le moteur.
- Vissez l'adaptateur de la buse de lavage (emballé avec le tuyau d'arrosage manuel d'utilisation de votre tracteur) sur l'extrémité de votre tuyau d'arrosage.
- Tirez sur la colliette de blocage de l'adaptateur de la buse de lavage puis poussez l'adaptateur sur le raccord du plateau de coupe de la tondeuse. Relâchez la colliette de blocage pour bloquer l'adaptateur sur la buse de lavage. (Voir la Fig. X)

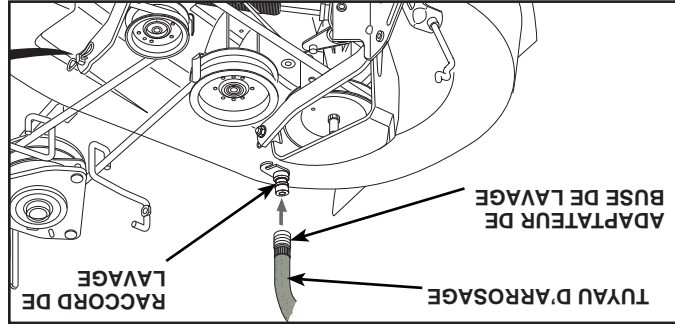


Fig. 16

IMPORTANT: Tirez le tuyau d'arrosage pour vous assurer que le raccordement est sécurisé.

- Ouvrez le robinet d'eau.
- Prenez place sur le siège du tracteur, relancez le moteur et mettez le levier d'accélération en position rapide ("Fast").

IMPORTANT: Assurez-vous encore une fois que la zone est dégagée.

- Mettez la PDF du tracteur (Embrayage de la lame) est en position de marche (ON). Ne quittez pas le siège de l'opérateur pendant l'embrayage du plateau de coupe jusqu'à ce que le plateau soit nettoyé.
- Mettez la PDF du tracteur (Embrayage de la lame) est en position d'arrêt (OFF). Mettez la clé de contact en position STOP pour couper le moteur. Fermez le robinet d'eau.

- Tirez sur la colliette de blocage de l'adaptateur de la buse pour dégager l'adaptateur du raccord de lavage de la buse de lavage.
- Conduisez le tracteur vers un endroit sec, de préférence bétonné ou pavé. Engagez la PDF du plateau de la tondeuse pour éliminer l'excès d'eau et permettre au tracteur de sécher avant de le remettre.

ATTENTION ! Un raccord de lavage détecté-eux ou manquant peut vous exposer vous ou d'autres personnes à la projection d'objets venus au contact de la lame.

Remplacez immédiatement le raccord de lavage cassé ou manquant avant de réutiliser la tondeuse.

Obstruez tous les trous de la tondeuse avec des boulons et écrous d'arrêt.

COURROIES TRAPÉZOÏDALES

Vérifiez les courroies trapézoïdales pour la détérioration et l'usure après 100 heures d'utilisation. Remplacez-les si nécessaire. Les courroies ne sont pas réglables. Remplacez les courroies si elles glissent à cause de l'usure.

ENTRETIEN DE LA TRANSMISSION

Le ventilateur et les ailettes de refroidissement de la transmission devraient être conservés propres pour assurer le refroidissement correct.

N'essayez pas de nettoyer le ventilateur ou la transmission pendant que le moteur fonctionne ou est chaude ou pendant que la transmission est chaude.

- Inspectez le ventilateur de refroidissement pour assurer que les lames de ventilateur sont propres et intactes.
- Inspectez les ailettes de refroidissement pour la saleté, l'herbe coupée et les autres matériaux. Pour éviter d'endommager les joints d'étanchéité, n'utilisez pas l'air comprimé ou le pulvérisateur à haute pression pour nettoyer les ailettes de refroidissement.

FLUIDE MOTEUR DE LA TRANSMISSION

La transmission a été scellée à l'usine et l'entretien de fluide n'est pas exigé pour la durabilité de la transmission. Si la transmission fuit ou doit être réparée, contactez votre centre d'entretien autorisé le plus proche.

MOTEUR

LUBRIFICATION

Utilisez seulement l'huile détergente de qualité supérieure de classification API SG-SL. Choisissez le degré de viscosité SAE de l'huile selon la température d'utilisation prévue.

DEGRÉ DE VISCOSITÉ SAE	
F	-20
C	-30
TABLEAU DES TEMPÉRATURES	
40	30
20	10
0	0
32	40
30	60
40	80
100	100

FILTRE D'HUILE DE MOTEUR

Remplacez le filtre d'huile de moteur chaque saison ou tous les deux (2) changements d'huile si le tracteur a été utilisé plus de 100 heures dans une (1) année.

REMARQUE: Bien que les huiles de multiviscosité (5W/30, 10W/30 etc.) amélioreront le démarrage par temps froid, ces huiles de multiviscosité augmentent la consommation d'huile quand elles sont utilisées à plus de 0°C/32°F. Vérifiez le niveau d'huile de moteur plus fréquemment pour éviter d'endommager le moteur de l'utilisation avec un niveau d'huile bas.

Changez l'huile toutes les 50 heures d'opération ou au moins une fois par an si le tracteur est utilisé moins de 50 heures par ans. Vérifiez le niveau d'huile du carter-moteur avant de démarrer le moteur et toutes les huit (8) heures d'utilisation. Serrez le bouchon de remplissage d'huile avec la jauge d'huile chaque fois que vous vérifiez le niveau d'huile.

TRACTEUR

Observez toujours les règles de sécurité quand vous faites l'entretien.

FONCTIONNEMENT DU FREIN

Si le tracteur demande une distance d'arrêt de plus de cinq (5) pieds (1,52 m) pour s'arrêter à grande vitesse, sur une surface horizontale en béton sec ou pavée, vous devez contrôler et régler le frein. (Voir la section "POUR RÉGLER LE FREIN" dans la section Entretien et Réglages de ce manuel).

PNEUS

- Maintenez la pression correcte dans tous les pneus (Voir la valeur en PSI indiquée sur ceux-ci).
- Assurez-vous que vos pneus ne soient pas en contact avec de l'essence, de l'huile ou des produits chimiques insecticides qui pourraient endommager le caoutchouc.
- Évitez les souches, les pierres, les ornieres profondes, les objets tranchants et les autres dangers qui pourraient causer des dégâts aux pneus.

REMARQUE: Pour boucher les crevaisons de pneus et pour prévenir les pneus à plat à cause des fuites, un enduit d'étanchéité de pneu peut être acheté chez votre fournisseur de pièces. L'enduit empêche le pneu de pourrir ou de se corroder.

SYSTÈME DE PRÉSENCE DE L'OPÉRATEUR ET ARRIÈRE (ROS) (Voir la Fig. 14)

Vérifiez si les systèmes de présence de l'opérateur, de marche arrière et de verrouillage fonctionnent correctement. Si votre tracteur ne fonctionne pas de la façon décrite, réparez-le immédiatement. Le moteur ne démarre pas sauf si la pédale d'embrayage/frein est appuyée à fond est la commande de l'embrayage de l'accessoire est dégagée.

VÉRIFIEZ PRÉSENCE DE L'OPÉRATEUR

- Si l'opérateur quitte le poste de conduite, le moteur est en marche, sans tirer le frein de parking, le moteur s'arrête.
- Si l'opérateur quitte le poste de conduite, lorsque l'embrayage est engagé et le moteur en marche, le moteur s'arrête.
- L'embrayage de l'accessoire ne doit jamais fonctionner sauf si l'opérateur est au volant.

VÉRIFIEZ SYSTÈME DE FONCTIONNEMENT EN MARCHÉ ARRIÈRE (ROS)

- Si l'opérateur tente de reculer, lorsque le moteur est en marche avec le commutateur d'allumage sur ON est l'embrayage engagé, le moteur s'arrête.
- Si l'opérateur tente de reculer, lorsque le moteur est en marche avec le commutateur d'allumage sur la position ON du système de fonctionnement en marche arrière (ROS) est l'embrayage engagé, le moteur ne s'arrête PAS.




Fig. 14

ENTRETIEN DES LAMES

Pour obtenir les meilleurs résultats, les lames de tondeuse doivent toujours être tranchantes. Remplacez les lames courbées ou endommagées.

DANGER: N'utilisez que les lames de remplacement autorisées par le fabricant de votre tondeuse. L'usage d'une lame n'ayant pas été autorisée par le fabricant de votre tondeuse est dangereux et risque d'endommager votre tondeuse et d'annuler sa garantie.



ENLEVER LA LAME (Voir la Fig. 15)

- Retirez la tondeuse le plus haut possible pour avoir accès à la lame dans un linge épais.
 - Enlevez le boulon de lame en le tournant dans le sens contraire des aiguilles d'une montre.
 - Installez la nouvelle lame ou la lame affilée avec l'embout "THIS SIDE UP" faisant face à la tondeuse et l'assemblage du mandrin. **IMPORTANT:** POUR ASSURER L'ASSEMBLAGE ADÉQUAT, ALIGNEZ LE TROU DU CENTRE DE LA LAME AVEC L'ÉTOILE DU MANDRIN.
 - Installez et serrez le boulon de lame solidement (couple de torsion 45-55 pieds par livre (62-75 Nm)).
- IMPORTANT:** LE BOUTON SPÉCIAL DE LA LAME EST SOUMIS À UN TRAITEMENT À LA CHALEUR.

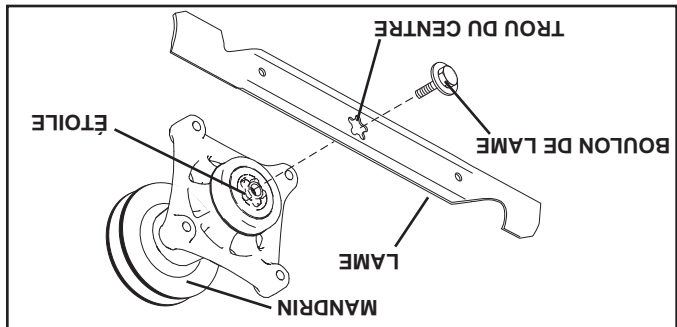


Fig. 15

BATTERIE

Votre tracteur est muni d'un système de chargement de batterie qui est suffisant pour l'usage normal. Pourtant, le chargement périodique de la batterie avec un chargeur d'auto prolongera la durabilité. Conservez la batterie et les bornes propres.

- Conservez les boulons de batterie serrés.
 - Conservez les petits orifices de ventilations ouverts.
 - Rechargez la batterie à raison de 6-10 ampères pendant une période d'une (1) heure.
- REMARQUE:** L'équipement d'origine de batterie de votre tracteur ne nécessite pas d'entretien. N'essayez pas d'ouvrir ou d'enlever les bouchons ou couvercles. Il n'est pas nécessaire de vérifier ou d'ajouter plus d'électrolyte.

POUR NETTOYER LA BATTERIE ET LES BORNES:

- La présence de corrosion ou de saleté sur la batterie et les bornes peut causer les "fuites" de puissance.
 - Elevez le siège/capot
 - Premièrement débranchez le câble de batterie NOIR et ensuite le câble de batterie ROUGE et enlevez la batterie du tracteur.
 - Rincez la batterie avec l'eau fraîche, et séchez-la.
 - Nettoyez les bornes et les bouts des câbles de batterie avec une brosse métallique jusqu'à ce qu'ils brillent.
 - Enduisez les bornes avec la graisse ou le pétrolatum.
- Réinstallez la batterie (Voir "REPLACER LA BATTERIE" dans la section RÉVISION ET RÉGLAGES de ce manuel).

PURGER LA TRANSMISSION

ATTENTION: N'engagez jamais le levier de la roue libre pendant que le moteur fonctionne.



Pour assurer l'utilisation correcte et le rendement, il est recommandé que la transmission soit purgée avant d'utiliser le tracteur pour la première fois. Ce procédé enlèvera l'air emprisonné à l'intérieur de la transmission qui se développerait pendant l'expédition de votre tracteur.

IMPORTANT: SI VOTRE TRANSMISSION DOIT ÊTRE RETIRÉE POUR L'ENTRÉTIEN OU LE REMPLACEMENT, ELLE DEVRAIT D'UTILISER LE TRACTEUR.

Placez le tracteur sur une surface nivelée, libre de tout objet et ouverte, avec le moteur coupé et le frein de stationnement mis en place.

Débrayez la transmission en mettant la commande de la roue libre dans la position roue libre (Référez-vous à la section de "POUR TRANSPORTER" dans cette section de ce manuel). Lorsque vous vous asseyez sur le siège du tracteur, démarrez le moteur. Après que le moteur marche, déplacez la commande des gaz à la position lente. Dégagez le frein à main.

ATTENTION: À tout moment, au cours de l'étape 4, il peut y avoir du mouvement des roues d'entraînement.



Déplacez le levier de la commande de déplacement à la position de marche avant et tenez-le pendant cinq (5) secondes. Déplacez le levier à la position de marche arrière et tenez-le pendant cinq (5) secondes. Répétez ce procédé trois (3) fois. Coupez le moteur et engagez le frein de stationnement. Embrayez la transmission en déplaçant la commande de la roue libre en position de marche (Référez-vous à la section de "POUR TRANSPORTER" dans cette section de ce manuel). Lorsque vous vous asseyez sur le siège du tracteur, démarrez le moteur. Après que le moteur marche, déplacez la commande des gaz à la position de demi-vitesse (1/2). Dégagez le frein à main. Avancez le tracteur de 150 cm (5 pieds) approximativement et ensuite, reculez de 150 cm (5 pieds). Répétez ce procédé de conduire trois (3) fois.

Votre tracteur est maintenant purgé et prêt pour l'utilisation normale.

CONSEILS DE TONTE

- Les chaînes de pneu ne peuvent pas être utilisées quand le carter de tondeuse est attaché.
- Assurez-vous que votre tondeuse soit correctement nivelée pour le meilleur rendement. (Voir la section de "Pour Nivelier le carter de Tondeuse" sous Entretien et Réglages de ce manuel). Vous devez utiliser le côté gauche de la tondeuse pour la taille. Conduisez de manière à ce que l'herbe coupée soit déversée sur la zone qui a été tondu. La zone coupée doit être située à la droite du tracteur. Vous obtiendrez ainsi une coupe plus uniforme et une meilleure répartition de l'herbe coupée.
- Pour tondre une grande surface, on vous conseille de commencer par tourner à droite, de façon à ce que l'herbe ne soit pas déversée sur les arbustes, les clôtures, les allées, etc. Après un ou deux tours, tondez en sens inverse en tournant à gauche jusqu'à ce que le travail soit achevé (Voir la Fig. 13).

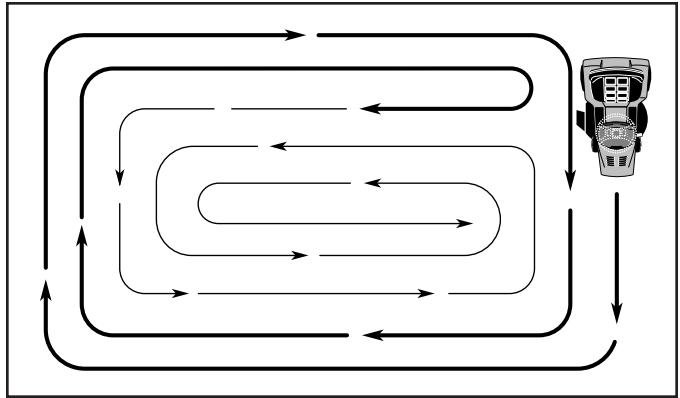


Fig. 13

- Si le gazon est très long, il faut le tondre deux fois pour rendre la charge et les risques d'incendie de l'herbe sèche. La première fois, réglez l'appareil pour une coupe assez haute. La deuxième passe doit se faire à la hauteur désirée. Ne tondez pas l'herbe quand elle est mouillée. L'herbe mouillée bloquera la tondeuse. Laissez sécher l'herbe avant de tondre.
- Tondez toujours avec la commande des gaz à plein gaz pour assurer le meilleur rendement et le déchargement correct.** Choisissez une vitesse suffisamment basse qui donne le meilleur rendement et la meilleure coupe.
- Quand vous utilisez les accessoires, choisissez toujours une vitesse qui convient au terrain et à l'accessoire utilisé.

UTILISATION

POUR DÉMARRER LE MOTEUR (voir la Fig. 3)

Si vous démarrez le moteur pour la première fois ou si le moteur est sans essence, il faut plus de temps pour déplacer l'essence du réservoir au moteur.

- Assurez-vous que la commande roue libre soit dans la position d'engrenage engagée
- Asseyez-vous sur le siège, enfoncez la pédale frein et engagez le frein de stationnement.
- Déplacez l'embrayage d'accessoire à la position débrayée (DISENGAGED).
- Déplacez le levier de la commande des gaz à la position étrangleur.

REMARQUE: Avant de commencer, lisez les instructions suivantes.

- Insérez et tournez la clé dans le sens des aiguilles d'une montre à la position de démarrage (START) et relâchez la clé dès que le moteur démarre. N'utilisez pas le démarreur sans interruptions pendant plus de quinze secondes par minute. Si le moteur ne démarre pas après quelques minutes et essayez encore. ne démarrez pas après quelques essais, déplacez la commande des gaz dans la position étrangleur et essayez encore.

DÉMARRAGE PAR TEMPS CHAUD (50°F / 10°C)

- Quand vous démarrez le moteur, déplacez la commande des gaz lentement à la position rapide.
- Maintenant, les accessoires et la commande d'entraînement peuvent être utilisés. Si le moteur ne peut pas accepter cette charge, démarrez-le une autre fois et permettez qu'il se chauffe pendant une minute en utilisant l'étrangleur comme décrit a-haut.

DÉMARRAGE PAR TEMPS FROID (50°F / 10°C)

- Quand vous démarrez le moteur, faites-le marcher avec la commande d'entraînement dans la position étrangleur jusqu'à ce que le moteur réchauffe et commence à marcher mal. Une fois que ceci commence, déplacez immédiatement la commande des gaz à la position rapide. Il faut de quelques secondes à quelques minutes pour que le moteur se chauffe, selon la température.

RÉCHAUFFEMENT DE LA TRANSMISSION AUTOMATIQUE

- Avant de conduire le tracteur l'hiver, la transmission doit être chauffée comme suit:

- Assurez-vous que le tracteur soit garé sur un terrain plat. Relâchez le frein de stationnement et permettez que le frein retourne dans la position d'opération.
- Permettez que la transmission se réchauffe pendant une minute. Ceci peut être fait pendant le temps d'échauffement.
- Les accessoires peuvent être utilisés pendant le temps d'échauffement du moteur après que la transmission soit chaude.

REMARQUE: Le mélange de carburant demandera un réglage pour obtenir le meilleur rendement du moteur si les altitudes sont supérieures à 914,4 mètres (3000 pi) ou si les températures sont froides (inférieures à 32° F/0°C). Consultez la section de "Pour Régler le Carburateur" dans la section Entretien et Réglages de ce manuel.

AVANT DE DÉMARRER LE MOTEUR

VÉRIFIER LE NIVEAU D'HUILE DU MOTEUR

Ce moteur a été rempli à l'usine avec l'huile d'été avant l'expédition.

- Stationnez le tracteur sur un terrain plat avant de vérifier le niveau d'huile du moteur.
- Enlevez le bouchon de remplissage d'huile avec la jauge d'huile et nettoyez-la, remettez-la en place et serrez à fond le bouchon. Attendez quelques secondes puis enlevez-la pour déterminer le niveau d'huile. Si nécessaire, remplissez avec l'huile jusqu'à la marque pleine (FULL) sur la jauge d'huile. N'en mettez pas trop.
- Pour faciliter le démarrage pendant l'hiver, vous devriez changer l'huile. (Voir le "Tableau de Viscosité d'Huile" dans la section de Entretien de ce manuel.)
- Pour changer l'huile de moteur, voir la section Entretien de ce manuel.

REMPLIR LE RÉSERVOIR D'ESSENCE

- Remplissez le réservoir d'essence. Remplissez le réservoir d'essence jusqu'au fond de son goulot de remplissage. N'en mettez pas trop. Utilisez de l'essence sans plomb, régulière, fraîche, et propre avec un indice d'octane au moins 87. (L'utilisation d'essence sans plomb tend à réduire les dépôts de calamine et d'oxyde de plomb et prolonge la vie des soupapes). Ne mélangez pas l'huile avec l'essence. Pour que l'essence utilisée soit fraîche, achetez des quantités qui peuvent être utilisées dans les trente jours suivant l'achat.



ATTENTION: Essayez toujours l'huile ou l'essence renversée. Vous ne devez jamais emmagasiner, répandre ou utiliser de l'essence près d'une flamme nue.

IMPORTANT: POUR ASSURER UN BON DÉMARRAGE PAR TEMPS FROID (SOUS LES 32°F/0°C), VOUS DEVEZ UTILISER DE L'ESSENCE FRAÎCHE, PROPRE ET SPÉCIALE D'HIVER.

ATTENTION: L'expérience indique que les combustibles mélangés avec l'alcool (appelés gasohol ou méthanol) peuvent attirer l'humidité qui cause la séparation et la formation d'acide pendant l'entreposage. Le gaz acide peut avarier le système d'essence d'un moteur pendant l'entreposage. Pour éviter les problèmes de moteur, le système d'essence doit être vidangé avant tout l'entreposage de 30 jours ou plus. Vidangez le réservoir d'essence, démarrez le moteur et laissez-le fonctionner jusqu'à ce que les conduites de combustible et le carburateur soient vides. Utilisez de l'essence fraîche la saison suivante. Reportez-vous aux instructions sur l'entreposage pour les autres renseignements. N'utilisez jamais de produits de nettoyage de moteur ou de carburateur dans le réservoir d'essence sinon des dommages permanents pourraient être causés.

UTILISATION

SYSTÈME DE FONCTIONNEMENT EN MARCHÉ ARRIÈRE (ROS)

Votre tracteur est équipé d'un Système de fonctionnement en marche arrière (ROS). Si l'opérateur tente de circuler en marche arrière avec l'embrayage de l'accessoire engagé il provoquera l'arrêt du moteur à moins que la clé d'allumage soit placée dans la position ROS "ON".

AVERTISSEMENT: Il est fortement déconseillé de faire reculer avec l'embrayage de l'accessoire de fonte engagé. L'opérateur ne doit mettre le ROS sur ON, pour pouvoir reculer avec l'embrayage de l'accessoire engagé, que s'il l'estime réellement nécessaire pour repositionner la machine avec l'accessoire engagé. Ne tondez pas en marche arrière à moins qu'absolument nécessaire.

UTILISATION DU SYSTÈME DE FONCTIONNEMENT EN MARCHÉ ARRIÈRE (voir la Fig. 11)

N'utilisez que si vous êtes certain qu'aucun enfant ou tiers n'est présent sur la surface à tondre.

- Enfoncez complètement la pédale de frein sans la lâcher.
- Avec le moteur en marche, introduisez la clé dans le commutateur ROS et faites-la tourner en sens anti-horaire sur ON.
- Regardez vers le bas et vers l'arrière avant de reculer.
- Enfoncez lentement la pédale renversée d'entraînement pour commencer le mouvement.
- Lorsque l'utilisation du ROS n'est plus nécessaire, faites tourner la clé de contact en sens horaire sur ON.

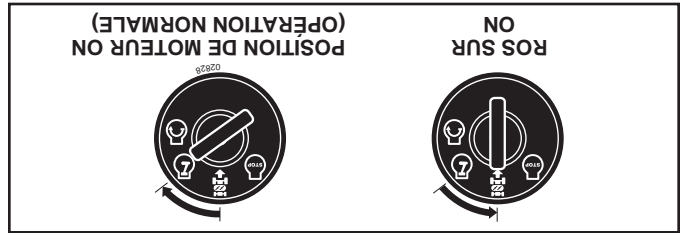


Fig. 11

INDICATEUR D'ENTRETIEN/HOROMÈTRE

L'indicateur d'entretien montre le total d'heures de fonctionnement du moteur et clignote lorsque l'entretien du moteur ou de la tondeuse est nécessaire. Si c'est le cas, l'indicateur d'entretien clignote pendant deux heures. Pour procéder à l'entretien du moteur et de la tondeuse, consultez la section Entretien de ce manuel.

REMARQUE : L'indicateur d'entretien est en fonction lorsque la clé d'allumage est dans n'importe quelle position, à l'exception de la position « STOP ». Pour une lecture réaliste, assurez-vous que la clé de mesure en position « STOP » lorsque le moteur ne tourne pas.

POUR UTILISER DANS LES PENTES

AVERTISSEMENT: N'utilisez jamais le tracteur dans les côtes de plus de 15°. Ne le conduisez jamais en travers des surfaces en pente.



- Choisissez la vitesse la plus lente avant de commencer à monter ou descendre une côte.
- Évitez de changer la vitesse ou d'arrêter dans une côte.
- S'il est absolument nécessaire d'arrêter, enfoncez rapidement la pédale de frein jusqu'à sa position de freinage. Engagez le frein de stationnement.
- Pour redémarrer, dégagez lentement le frein de stationnement et la pédale de frein.
- Appuyez lentement sur la pédale de marche avant jusqu'au réglage le plus lent.
- Virez toujours très progressivement.

POUR TRANSPORTER LE TRACTEUR

(voir la Fig. 12)

- Soulevez le mécanisme de levage d'accessoire à la position la plus haute avec la commande de levage d'accessoire.
 - Tirez la commande de roue libre au-dehors et vers le bas à l'intérieur de la rainure et relâchez-la pour qu'elle soit à la position DEBRAYÉE.
 - Ne remorquez ou poussez jamais votre tracteur à une vitesse de plus de 3,21 km/h (2 mph).
 - Pour réengrener la transmission, inversez le procédé ci-dessus.
- REMARQUE:** Pour protéger le capot des dommages pendant le transport de votre tracteur sur un camion ou une remorque, assurez-vous que le capot soit fermé et fixé au tracteur. Utilisez les moyens appropriés (corde, câble, etc.).

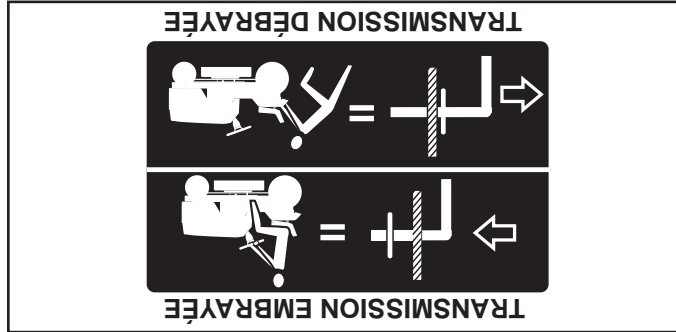


Fig. 12

POUR REMORQUER DES CHARRETTES ET AUTRES ACCESSOIRES

Remorquez seulement les accessoires recommandés, dans les spécifications du fabricant de votre tracteur. Faites preuve de jugement lorsque vous remorquez un accessoire. Il est dangereux de remorquer des chargements trop lourds dans une pente. Les pneus peuvent perdre de l'adhérence avec le terrain et vous faire perdre la maîtrise de votre tracteur.

UTILISATION

POUR AVANCER ET POUR RECULER

(Voir la Fig. 7)

La direction et la vitesse du déplacement sont contrôlées par les

- Démarrerez le tracteur et libérez le frein à main.
- Appuyez doucement sur la pédale de marche avant (K) ou sur la pédale de marche arrière (L) pour commencer à vous déplacer. Plus vous appuyez sur la pédale, plus la vitesse au sol augmente.

COMMENT UTILISER LE RÉGULATEUR DE VITESSE (J) (Voir la Fig. 7)

Le régulateur de vitesse n'est utilisable qu'en marche avant.

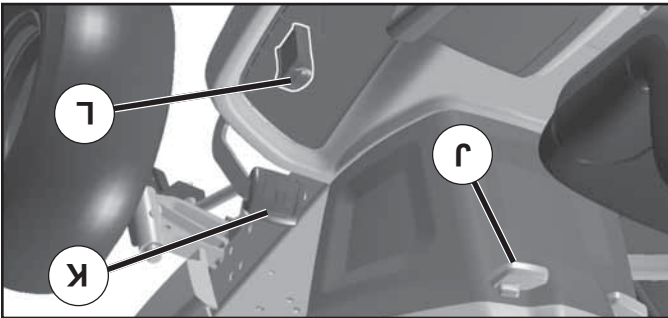


Fig. 7

CARACTÉRISTIQUES DU SYSTÈME

Le régulateur de vitesse ne devrait être utilisé que lors du fauchage ou transport du tracteur sur des surfaces qui sont relativement lisses et droites. D'autres conditions telles que le découpage de finition à vitesses lentes peuvent faire désenclencher le régulateur de vitesse. Ne pas utiliser le régulateur de vitesse sur les pentes, les terrains rocailleux ou lors du découpage de finition ou en tournant.

- Appuyez sur la pédale de marche avant jusqu'à ce que la vitesse voulue soit atteinte, poussez le régulateur sur (J) "SET" et maintenez-le tout en soulevant votre pied de la pédale, puis lâchez le régulateur.

Pour désenclencher le régulateur, tirez le levier vers l'arrière sur "OFF", ou appuyez à fond sur la pédale de frein.

POUR RÉGLER LA HAUTEUR DE COUPE DE LA TONDEUSE (Voir la Fig. 8)

La position du levier d'accrochage (A) détermine la hauteur de la tondeuse.

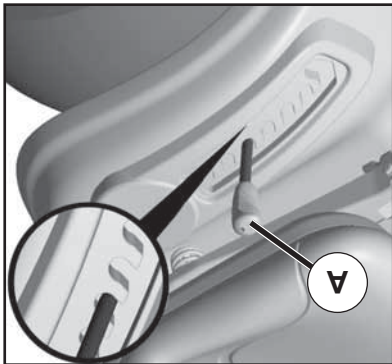


Fig. 8

- Placez le levier d'accrochage dans la rainure correspondant à la hauteur désirée.

La plage de réglage de la hauteur de coupe est environ de 2,54 cm (1 po.) à 10,16 cm (4 po.). Les hauteurs sont mesurées du terrain à l'extrémité de la lame quand le moteur ne marche pas. Ces hauteurs sont approximatives et elles pourraient changer à cause des conditions du terrain, de la hauteur de l'herbe et des types d'herbe qui sont tondues.

10

POUR RÉGLER LES ROUES DE JAUGE

(Voir la Fig. 9)

Les roues de jauge sont bien réglées quand elles se trouvent légèrement au-dessus du sol lorsque la tondeuse est à la hauteur de coupe désirée. Dans ce cas, les roues gardent le tracteur en place et l'évitent de glisser sur les terrains.

- **REMARQUE:** Réglez les roues quand le tracteur est sur un terrain plat.
- Réglez la tondeuse à la hauteur de coupe désirée (Voyez la section de "POUR RÉGLER LA HAUTEUR DE COUPE DE LA TONDEUSE" dans la section fonctionnement de ce manuel).
- Quand la tondeuse est à désirée hauteur de coupe désirée, les roues devraient être montés afin qu'elles soient un peu au-dessus de la terre. Installez la roue dans le trou approprié comme indiqué et serrez à fond.
- Répétez de l'autre côté. Installez la roue dans le même trou réglable.

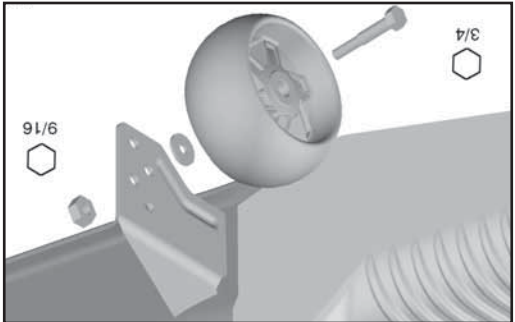


Fig. 9

POUR UTILISER LA TONDEUSE

- Votre tracteur est muni d'un interrupteur de détection de présence d'un opérateur. Le moteur s'arrête si l'opérateur essaie de quitter le siège pendant que le moteur fonctionne et que l'embrayage d'accrochage est engagé. Vous devez rester bien assis au milieu du siège pour éviter que le moteur hésite ou s'arrête quand le tracteur est utilisé sur un terrain accidenté ou des collines.
- Sélectionnez la hauteur de tondeuse désirée. (Voir "POUR RÉGLER LA HAUTEUR DE COUPE DE LA TONDEUSE")
- Engagez les lames de tondeuse en déplaçant la commande d'embrayage d'accrochage à la position "EMBRAYÉE".
- Déplacez la commande d'embrayage d'accrochage à la position "DÉBRAYÉE".

ATTENTION: N'utilisez pas la tondeuse sans le déflecteur ou sans le ramasse-herbe (S) s'il y a lieu. (Voir La Fig. 10)

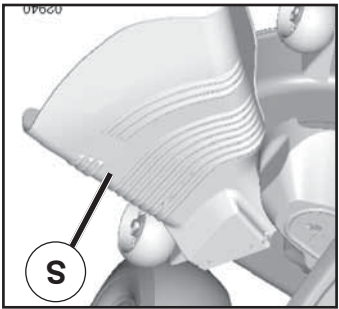


Fig. 10

UTILISATION

L'utilisation d'un tracteur présente le risque de projection des particules dans les yeux qui peuvent causer des blessures sérieuses. Portez toujours des lunettes de sécurité ou une visière pendant que vous utilisez, ou que vous faites des réglages ou des réparations au tracteur. Nous recommandons des lunettes de sécurité ou un masque large de sécurité porté au-dessus des lunettes.



COMMENT UTILISER VOTRE TRACTEUR

POUR EMBRAYÉE LE FREIN DE STATIONNEMENT (voir la Fig. 4)

Votre tracteur est muni d'un interrupteur de détection de présence d'opérateur. Le moteur s'arrêtera, si l'opérateur quitte le siège sans EMBRAYÉE le frein de stationnement lorsque le moteur marche.

- Appuyez à fond sur la pédale de frein/embrayage à la position de frein (BRAKE).
- Tirez sur levier de frein de stationnement (C) et tenez-le, relâchez la pression sur la pédale de frein/d'embrayage (D), puis relâchez le levier de frein de stationnement. La pédale devrait rester à la position de frein (BRAKE). Assurez-vous que le frein de stationnement retienne le tracteur sans risque.



Fig. 4

POUR ARRÊTER (voir la Fig. 5)

LAMES DE TONDEUSE -

- Pour arrêter les lames de tondeuse, touchez le contrôle d'embrayage d'accessoire à la position "DEBRAYÉE" (*).

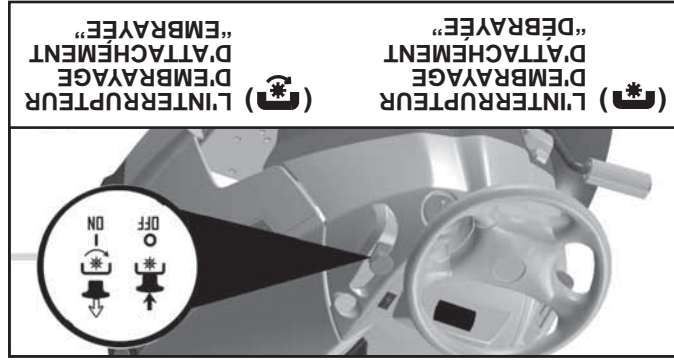


Fig. 5

ENTRAÎNEMENT -

- Pour arrêter l'entraînement, abaissez complètement, la pédale de frein à la position "Frein".

IMPORTANT : LES PÉDALES DE MARCHÉ AVANT ET DE MARCHÉ ARRIÈRE REVIENNENT AU POINT MORT SI VOUS N'APPUYEZ PAS DESSUS.

MOTEUR -

- Placez la commande des gaz en position (D) intermédiaire (entre rapide et lent).

POUR UTILISER LA COMMANDE DES GAZ (D)

(voir la Fig. 6)

- Utilisez toujours le moteur à pleine vitesse (rapide).
- Faire fonctionner le moteur à une vitesse inférieure à sa vitesse maximale (rapide) réduit l'efficacité du moteur.
- Une pleine vitesse (rapide) permet une meilleure performance de la tondeuse.

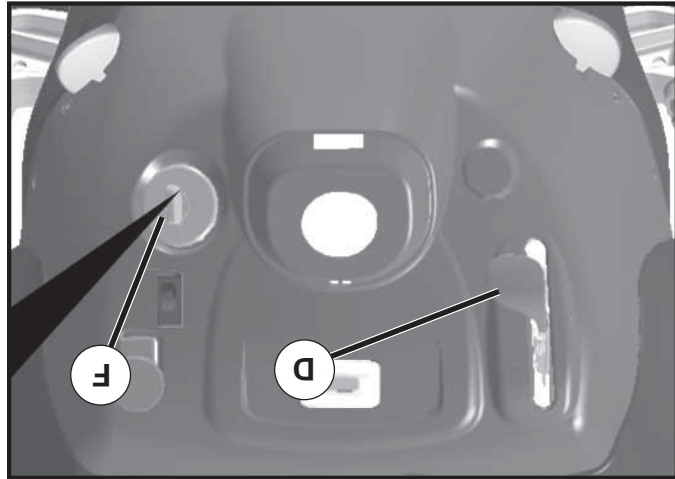


Fig. 6



ATTENTION: Arrêtez toujours le tracteur complètement, comme décrit ci-dessus, avant de quitter le tracteur; de vider le ramasse-herbe, etc.

- **REMARQUE:** Si vous oubliez de placer la manette en position intermédiaire, vous risquez de provoquer un "retour de flammes".
- Tournez la clé de contact à la position coupée (F) STOP et enlevez-la. Enlevez toujours la clé de contact quand vous quittez le tracteur pour empêcher l'emploi non autorisé.
- N'utilisez pas la commande d'étranglement pour arrêter le moteur.

IMPORTANT: SI LE CONTACT D'ALLUMAGE EST LASISSÉ À UNE AUTRE POSITION QUE OFF, LA BATTERIE SE DÉCHARGERÀ (À PLAT)

REMARQUE: Quand le tracteur marche au ralenti, les gaz d'échappement d'un moteur chaud peuvent causer des dommages au gazon. Pour éviter les dommages, coupez toujours le moteur quand vous arrêtez le tracteur sur le gazon.

UTILISATION

CONNAISSEZ VOTRE TRACTEUR

AVANT D'UTILISER VOTRE TRACTEUR, LISEZ CE MANUEL DE PROPRIÉTAIRE ET LES RÈGLES DE SÉCURITÉ

Comparez les illustrations ci-dessous à celles de votre tracteur afin de vous familiariser avec l'emplacement des différentes commandes et avec les réglages. Gardez ce manuel pour référence.

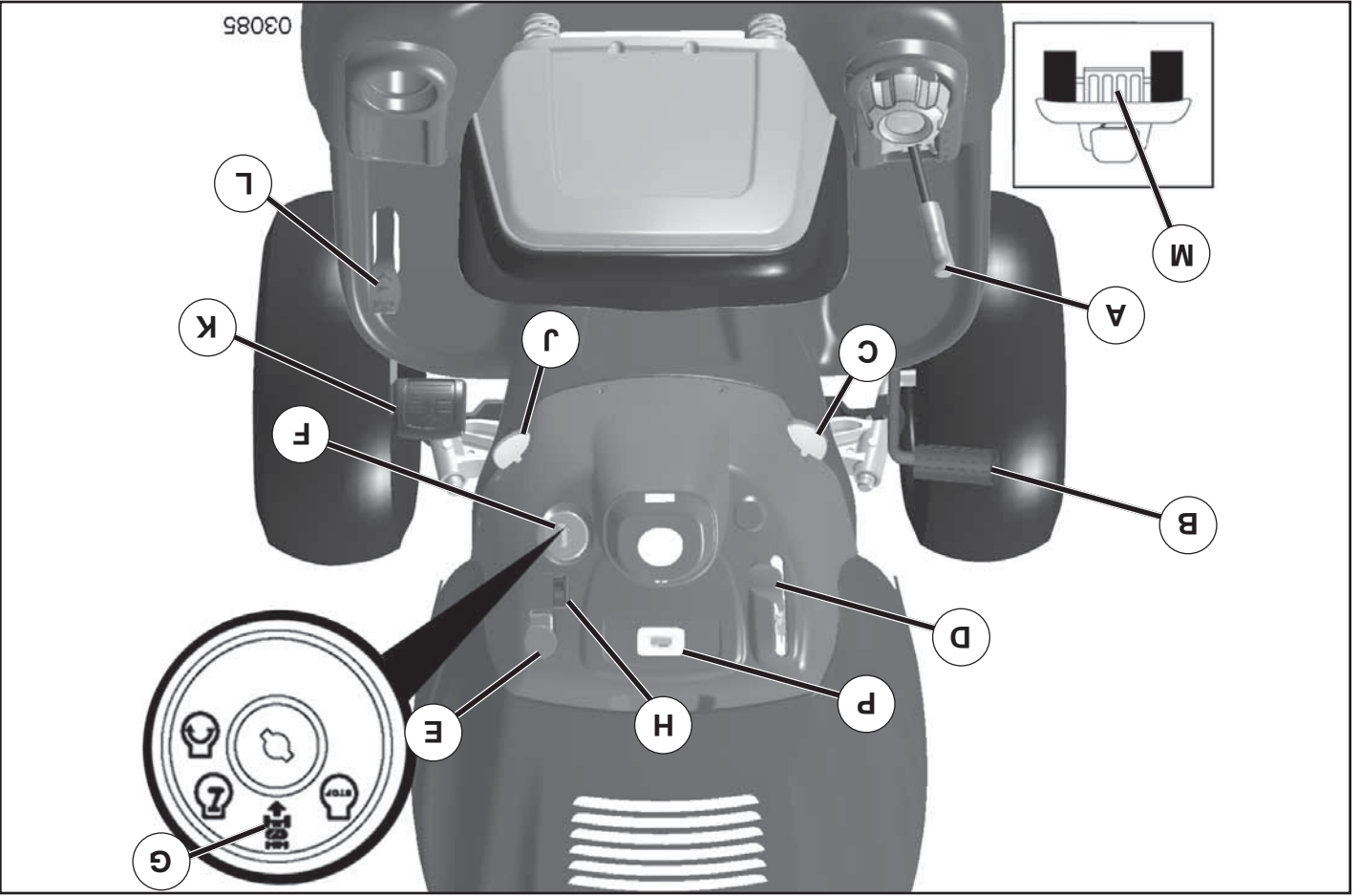


Fig. 3

Nos tracteurs conformément aux normes de sécurité de l'American National Standards Institute.

(A) LEVIER DE LEVAGE D'ACCESSOIRE - permet de soulever et de baisser le carter de tondeuse ou les autres accessoires montés au tracteur.

(B) PÉDALE DE FREIN - permet de débrayer la transmission, d'arrêter le tracteur et de démarrer le moteur.

(C) LEVIER DU FREIN DE STATIONNEMENT - bloque la pédale de frein/embrayage en position de frein (BRAKE).

(D) COMMANDE DES GAZ - permet de commander la vitesse de moteur.

(E) INTERRUPTEUR D'EMBRAYAGE D'ACCESSOIRE - est utilisé pour EMBRAYER les lames de tondeuse ou les autres accessoires montés sur le tracteur.

(F) CONTACTEUR D'ALLUMAGE - permet de démarrer et de couper le moteur.

(G) COMMUTATEUR DU SYSTÈME DE PRÉSENCE DE L'OPÉRATEUR (ROS) POSITION "ON" - Permet le fonctionnement de la plate - forme de faucheuse ou de tout autre attachement actionné tandis qu'à l'envers.

(H) L'INTERRUPTEUR DES LUMIÈRES - permet d'allumer/éteindre les phares du tracteur.

(J) LEVIER DE COMMANDE DE VITESSE - Sert à faire avancer le tracteur à la vitesse voulue sans appuyer sur la pédale de marche avant.

(K) PÉDALE DE MARCHÉ AVANT - Sert à faire avancer le tracteur.

















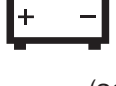













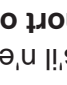





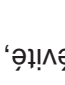







(L) PÉDALE DE MARCHÉ ARRIÈRE - Sert à faire reculer le tracteur.

(M) COMMANDE DE LA ROUE LIBRE - débraye la transmission pour le transport ou le remorquage du tracteur quand le moteur ne fonctionne pas.

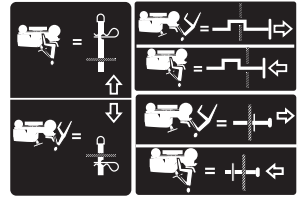
(P) INDICATEUR D'ENTRETIEN/HOROMÈTRE - Indique lorsque l'entretien du moteur et de la tondeuse est nécessaire.

UTILISATION

Ces symboles peuvent se montrer sur votre tracteur ou dans les publications fournies avec le produit. Apprenez et comprenez la signification des symboles.

	EN ARRIÈRE		COUPER LE MOTEUR		ALLUMER DES PHARES		EMBRAYAGE ENGAGÉ		DANGER, GARDEZ LES MAINS ET PIEDS LOIN		GARDER L'AIRE LIBRE		RISQUE PENTE		VOYEZ SECURITE REGLES PARTIE)
	POINT MORT		SYSTÈME DE FONCTIONNEMENT EN MARCHÉ ARRIÈRE (ROS)		ESSENCE		EMBRAYAGE D'ACCESSOIRE DÉBRAYÉ		DANGER, GARDEZ LES MAINS ET PIEDS LOIN		AVERTISSEMENT	AVERTISSEMENT	ATTENTION	ATTENTION	
	HAUT		DÉMARRER LE MOTEUR		BATTERIE		EMBRAYAGE		DANGER, GARDEZ LES MAINS ET PIEDS LOIN		AVERTISSEMENT	AVERTISSEMENT	ATTENTION	ATTENTION	
	BAS		MOTEUR ALLUMÉ		MARCHE DE DEVANT		EMBRAYAGE		DANGER, GARDEZ LES MAINS ET PIEDS LOIN		AVERTISSEMENT	AVERTISSEMENT	ATTENTION	ATTENTION	
	ÉTRANGLEUR		FREIN DE STATIONNEMENT		LEVIER DE COMMANDE DE VITESSE		EMBRAYAGE		DANGER, GARDEZ LES MAINS ET PIEDS LOIN		AVERTISSEMENT	AVERTISSEMENT	ATTENTION	ATTENTION	
	LENTE		HAUTEUR DE TONDEUSE		PÉDALE DE FREIN / D'EMBRAYAGE		EMBRAYAGE		DANGER, GARDEZ LES MAINS ET PIEDS LOIN		AVERTISSEMENT	AVERTISSEMENT	ATTENTION	ATTENTION	
	ALLUMAGE		LEVAGE DE TONDEUSE				EMBRAYAGE		DANGER, GARDEZ LES MAINS ET PIEDS LOIN		AVERTISSEMENT	AVERTISSEMENT	ATTENTION	ATTENTION	

(Seulement pour les mod les)
ROUE LIBRE



Le manquement à suivre les instructions de sécurité pourrait résulter en de graves blessures ou même la mort. Le symbole d'alerte à la sécurité est utilisé pour identifier les informations de sécurité à propos des risques, qui peuvent avoir pour résultats la mort, de graves blessures et/ou endommager votre propriété.



FEU indique un risque qui, s'il n'est pas évité, pourrait avoir comme conséquence la mort, des blessures graves et/ou l'endommagement de la propriété.

SURFACES CHAUDES indique un risque qui, s'il n'est pas évité, pourrait avoir comme conséquence la mort, des blessures graves et/ou l'endommagement de la propriété.

ATTENTION lorsque'il est utilisé sans le symbole d'alerte, indique une situation qui pourrait résulter en un endommagement du tracteur et/ou du moteur.

MONTAGE

✓ LISTE DE CONTRÔLE

AVANT D'UTILISER VOTRE TRACTEUR, NOUS VOULONS
NOUS ASSURER QUE VOUS RECEVREZ LE MEILLEUR
RENDMENT DE CE PRODUIT DE QUALITÉ ET QUE VOUS
EN SEREZ SATISFAIT.

LISEZ LA LISTE DE CONTRÔLE:

- ✓ Toutes les instructions ont été exécutées.
- ✓ Il n'y a pas de pièces détachées dans le carton.
- ✓ La batterie a été correctement préparée et chargée.
- ✓ Le siège a été ajusté à une position confortable et il a été serré à fond.
- ✓ Tous les pneus ont été correctement gonflés. (Les pneus ont été surgonflés pour l'expédition.)
- ✓ Assurez-vous que le carter de tondeuse ait été correctement nivelé du devant à l'arrière/d'un côté à l'autre pour obtenir les meilleurs résultats. (Les pneus doivent être correctement gonflés pour le nivellement.)
- ✓ Vérifiez la tondeuse et les courroies d'entraînement. Assurez-vous qu'elles soient engagées sur les poulies et à l'intérieur de tous les guides-courroie.
- ✓ Vérifiez le câblage. Assurez-vous que toutes les connexions soient bien attachées et que les fils soient correctement serrés.
- ✓ Avant de conduire le tracteur, assurez-vous que la commande de la roue libre soit à la position de "transmission engagée" (Référer-vous aux sections de "POUR TRANSPORTER" dans le Manuel e l'Opérateur).

PENDANT QUE VOUS APPRENEZ À UTILISER VOTRE TRACTEUR, FAITES ATTENTION AU:

- ✓ Niveau d'huile de moteur.
- ✓ Réservoir d'essence (rempli d'essence sans plomb normale, tâche, et propre).
- ✓ Avant de démarrer le moteur, assurez-vous que vous compreniez la fonction et l'emplacement de toutes les commandes.
- ✓ Assurez-vous que le système de frein fonctionne sans risque.
- ✓ Vérifiez si le Système de présence de l'opérateur et le Système de fonctionnement en marche arrière (ROS) fonctionnent correctement (Cf. les chapitres Fonctionnement et Entretien de ce manuel).
- ✓ Il est important de purger la transmission avant de démarrer votre tracteur pour la première fois. Suivez les instructions correctes pour le démarrage et la purge de la transmission (Référer-vous aux sections de "POUR DÉMARRER LE MO-TEUR" et "PURGER LA TRANSMISSION" dans le Manuel e l'utilisateur).

VÉRIFIER LA PRESSION DES PNEUS

- Réduisez la pression à l'intérieur des pneus à la valeur en PSI indiquée sur ceux-ci.

VÉRIFIER SI LA TONDEUSE EST DE NIVEAU

Pour les meilleurs résultats de tonte, le boîtier de tondeuse doit être correctement nivelé. Référer-vous à la section "POUR NIVELER LE BOÎTIER DE TONDEUSE" dans la section Entretien et Réglages de ce manuel.

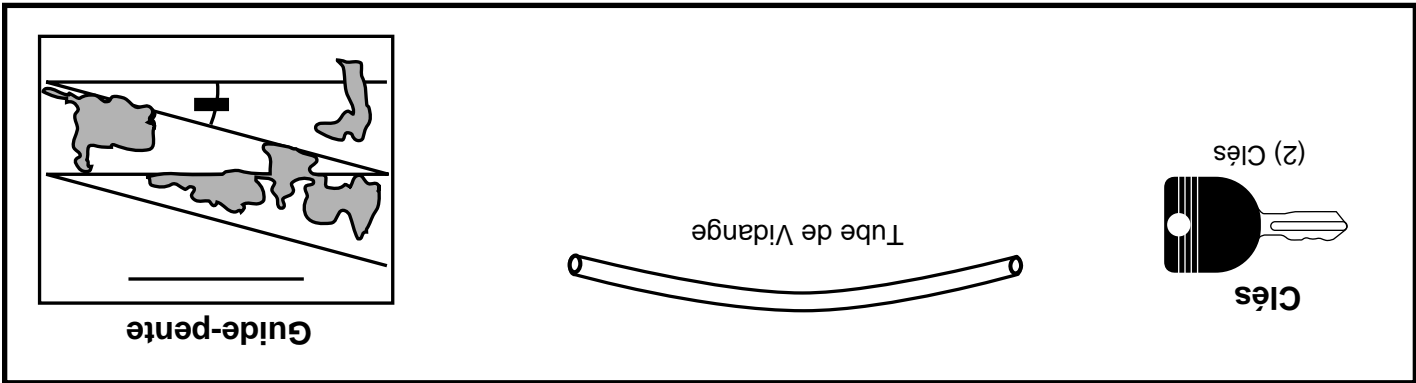
VÉRIFIER SI TOUTES LES COURROIES SONT CORRECTEMENT EN PLACE

Référer-vous aux figures qui sont illustrées pour le remplacement des courroies d'entraînement de lame de tondeuse et des courroies de déplacement dans la section Entretien et Réglages de ce manuel. Assurez-vous que toutes les courroies soient correctement en position dans les guides-courroie.

VÉRIFIER LE SYSTÈME DE FREIN

Après vous être familiarisé avec le fonctionnement de votre tracteur, vérifiez si les freins fonctionnent correctement. (Voir « POUR VÉRIFIER LES FREINS » dans la section Entretien et Réglages de ce manuel.)

PIÈCES NON MONTÉES



MONTAGE

Votre nouveau tracteur a été monté à l'usine sauf les pièces qui ne sont pas montées pour l'expédition.

LES OUTILS EXIGÉS POUR LE MONTAGE DE VOTRE TRACTEUR

Un jeu de clé à douille rendra le montage. Les dimensions normales des clés sont inscrites.

(2) Clés de 7/16" Manomètre à pneu

(1) Clé de 1/2" Couteau tout usage

Pince

Quand on utilise l'expression "DROITE" ou "GAUCHE", elle signifie la droite ou la gauche à partir de la position derrière le volant de direction.

POUR SORTIR LE TRACTEUR DU CARTON

DEBALLER LE CARTON

- Enlevez toutes les pièces détachées et les petites boîtes contenant les pièces du carton .
- Couper le long des lignes pointillées sur les quatre surfaces de carton. Enlever les panneaux situés à chaque bout et étendre à plat les panneaux des côtés.
- Vérifiez s'il y a des pièces détachées et conservez-les.

AVANT DE RETIRER LE TRACTEUR DE LA PALETTE

POUR RÉGLER LE SIÈGE (voir la Fig 1)

- Empoignez la poignée de réglage (A) et tirez vers le haut, glissez le siège à la position désirée et relâchez la poignée de réglage.

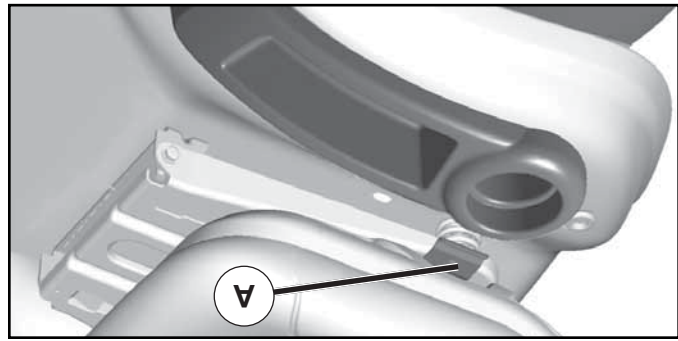


Fig. 1

5

VÉRIFIER LA BATTERIE (Voir la Fig. 2)

- Levez le capot.

REMARQUE: Si cette batterie est mise en service après les mois ou l'année indiquée sur l'étiquette localisée entre les bornes), chargez la batterie pour un minimum d'une heure à 6-10 amps. (Voir "BATTERIE" dans la section Entretien de ce manuel).

- Pour installer la batterie et câble du batterie suivez le procédé décrit dans la section "REPLACER LA BATTERIE" dans la section "REVISION ET REGLAGES" de ce manuel.

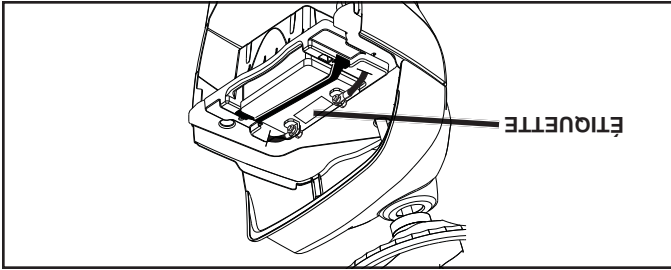


Fig. 2

REMARQUE: Procez comme suit pour retirer le tracteur de la palette.

AVERTISSEMENT: avant le démarrage, nous vous prions de lire, comprendre et suivre toutes les instructions dans la section Fonctionnement de ce manuel d'instructions. S'assurer que le tracteur soit placé dans une zone bien aérée. S'assurer qu'il n'y a aucune personne ou objet.

POUR RETIRER LE TRACTEUR DE LA PALETTE EN LE FAISANT ROLER (Voir la section fonctionnement pour connaître l'emplacement et la fonction des commandes.)

- Abaissez le levier de levage du piston et, placez le levier de levage d'accessoire à la position la plus haute.
- Appuyez sur la pédale de frein/embrayage pour dégager le frein de stationnement.
- Déplacez la commande de roue libre à la position roue libre pour débrayer la transmission. (Voir "POUR TRANSPORTER" dans la section fonctionnement de ce manuel).
- Retirez le tracteur hors de la palette en le faisant rouler.
- Enlevez le frettage qui tient le déflecteur de décharge contre le tracteur.

Continuez selon les instructions suivantes

SPÉCIFICATIONS DE PRODUIT

Capacité et le type d'essence:	3,0 Gallons (11,35L) L'essence sans plomb normale
Type d'huile (API-SG-SL):	SAE 30 (supérieure de 32°F/0°C) SAE 5W-30 (inférieure de 32°F/0°C)
Capacité d'huile:	Avec un filtre: 64oz. (1,96 L) Sans filtre: 60oz. (1,77 L)
Bougie d'allumage:	Champion QC12YC (Écart: 0,040 po/1,02 mm)
Vitesse de marche: (mph/kph)	Marche en avant: 0 - 5,5/8,9 Marche en arrière: 0 - 2,4/3,9
Système de chargement:	16 AMP@3600 RPM
Batterie:	AMP/HR: 28 MIN. CCA: 230 Dimension: U1R
Couple de rotation au boulon de lame:	45-55 Ft.-Lbs. (62-75 Nm)

FÉLICITATIONS pour votre achat. Ce tracteur II a été conçu, perfectionné, et fabriqué pour assurer un rendement et sûreté maximum.

S'il survient d'un problème que vous ne pouvez pas résoudre, contactez le centre d'entretien autorisé le plus proche. Vous y trouverez des techniciens qualifiés équipés des outils appropriés pour faire l'entretien et la réparation de ce tracteur.

Veillez lire et conserver ce manuel. Les instructions qu'il contient vous permettront de monter, et d'entretenir correctement votre tracteur. Observez toujours les "RÈGLES DE SÉCURITÉ".

RESPONSABILITÉS DU CLIENT

- Lisez et observez les règles de sécurité.
- Suivez un programme régulier d'entretien, et d'utilisation du tracteur.
- Suivez les instructions dans les sections Entretien et Entretien et Entretien autorisés le plus proche (Voir la section PIÈCES DE RECHANGE de ce manuel).

SOMMAIRE

2	RÈGLES DE SÉCURITÉ.....
4	SPÉCIFICATIONS DE PRODUIT
4	RESPONSABILITÉS DU CLIENT
5	MONTAGE
7	UTILISATION

14	GUIDE D'ENTRETIEN
14	ENTRETIEN
18	RÉVISION ET RÉGLAGES
25	ENTREPOSAGE
26	GUIDE DE DÉPANNAGE

RÈGLES DE SÉCURITÉ



• Si du carburant tombe sur vos vêtements, changez-les immédiatement.

• Ne faites jamais déborder le réservoir. Remettez le capuchon de gaz en place et serrez solidement.

ENTRETIEN GÉNÉRAL

• Ne faites jamais fonctionner la machine dans un endroit clos.

• Tous les écrous et les boulons doivent être bien serrés pour que l'appareil fonctionne en condition de sécurité.

• Ne bricolez jamais les dispositifs de sécurité. Vérifiez régulièrement leur bon fonctionnement.

• Libérez la machine des brins d'herbe, des feuilles ou autres débris accumulés susceptibles de toucher le tuyau d'échappement ou les parties chaudes du moteur et de brûler. Nettoyez l'huile ou le carburant versés et éliminez les débris imbibés de carburant. Laissez la machine refroidir avant de la ranger.

• Si vous heurtez un objet, arrêtez et inspectez la machine. Réparez-la au besoin avant de redémarrer.

• N'effectuez jamais ni réglages, ni réparations avec le moteur en marche.

• Vérifiez fréquemment les éléments du ramasse-herbe et la protection l'évacuation et remplacez-les avec les pièces recommandées par le fabricant, en cas de besoin.

• Les lames de la tondeuse sont affûtées. Enveloppez les lames ou portez des gants et faites très attention pendant les opérations d'entretien.

• Vérifiez fréquemment le fonctionnement du frein. Effectuez les opérations de réglage et d'entretien requises.



• Conservez et remplacez au besoin les autocollants de sécurité et d'instruction.

• Vérifiez si personne ne stationne dans la zone avant de commencer. Si quelqu'un pénètre dans la zone arrêtez la machine.

• Ne portez jamais de passager.

• Ne tondez pas en marche arrière, sauf en cas de nécessité absolue. Regardez toujours vers le bas et vers l'arrière avant et pendant la marche arrière.

• Ne transportez jamais d'enfant même si les lames ne tournent pas. Ils pourraient tomber et se blesser gravement ou gêner le fonctionnement de la machine. Les enfants qui ont déjà été transportés auparavant risquent de se précipiter dans la zone de tonte pour faire un autre tour et d'être renversés par la machine.

• Les enfants doivent se tenir hors de la zone de tonte et sous la supervision d'un adulte responsable, autre que l'opérateur.

• Faites très attention et éteignez le moteur si un enfant pénètre dans la zone.

• Regardez toujours s'il n'y a pas d'enfants en bas âge vers le bas et vers l'arrière avant et pendant la marche arrière.

• Tondez les pentes en montant et en descendant (15° maxi), jamais transversalement.

• Faites très attention et éteignez le moteur si un enfant pénètre dans la zone.

• Ne remplissez jamais les récipients dans un véhicule ou un camion ou une remorque ayant un revêtement en plastique. Placez toujours les récipients au sol, loin du véhicule, avant de les remplir.

• Déchargez les appareils à essence du camion ou de la remorque plein avec un récipient portable plutôt qu'avec une pompe. Laissez la buse au contact du bord du réservoir d'essence ou de l'ouverture du récipient jusqu'à la fin de l'opération de remplissage. N'utilisez pas de dispositif de verrouillage de la buse ouverte.

• Engagez la marche arrière et reculez lentement. Si la machine s'arrête en montée, dégagez les lames, lames et procédez lentement vers le bas de la pente.

• Si les pneus n'adhèrent plus, dégagez les lames et procédez lentement vers le bas de la pente. Évitez d'effectuer les démarrages, arrêts ou virages dans les pentes. Si les pneus s'adhèrent plus, dégagez les lames et procédez lentement vers le bas de la pente.

• Sélectionnez une vitesse so faible afin de ne pas devoir ralentir ou changer de vitesse dans les pentes.

• Évitez d'effectuer les démarrages, arrêts ou virages dans les pentes. Si les pneus n'adhèrent plus, dégagez les lames et procédez lentement vers le bas de la pente.

• Si la machine s'arrête en montée, dégagez les lames, lames et procédez lentement vers le bas de la pente.

• Engagez la marche arrière et reculez lentement. Si la machine s'arrête en montée, dégagez les lames, lames et procédez lentement vers le bas de la pente.

• Pas strictement nécessaire, et dans ce cas tournez lentement et progressivement dans la descente.

• N'essayez pas de stabiliser la machine en mettant un pied à terre.

• Ne tondez jamais à proximité des ravins, des fossés ou des talus. La machine risque de culbuter à l'improviste par-dessus bord ou de précipiter si le bord s'éboule.

III. ENFANTS

• Des accidents tragiques peuvent avoir lieu si l'opérateur ne fait pas très attention en présence d'enfants. Les enfants sont souvent très attirés par la machine et par la tonte. Ne croyez jamais que les enfants restent immobiles à l'endroit où vous venez de les laisser.

• Les enfants doivent se tenir hors de la zone de tonte et sous la supervision d'un adulte responsable, autre que l'opérateur.

• Faites très attention et éteignez le moteur si un enfant pénètre dans la zone.

• Regardez toujours s'il n'y a pas d'enfants en bas âge vers le bas et vers l'arrière avant et pendant la marche arrière.

• Ne transportez jamais d'enfant même si les lames ne tournent pas. Ils pourraient tomber et se blesser gravement ou gêner le fonctionnement de la machine.

• Les enfants qui ont déjà été transportés auparavant risquent de se précipiter dans la zone de tonte pour faire un autre tour et d'être renversés par la machine.

• Ne laissez jamais les enfants utiliser la machine. Faites très attention à proximité des angles morts, des arbustes, des arbres ou d'autres objets susceptibles de cacher un enfant à la vue.

IV. REMORQUAGE

• Ne remorquez qu'avec un véhicule conçu pour l'attelage.

• N'accrochez l'appareil remorqué qu'au crochet d'attelage. Suivez les recommandations du fabricant quant aux limites de poids des appareils remorqués et au remorquage dans les pentes.

• Ne laissez jamais les enfants ou d'autres personnes à bord des appareils remorqués.

• Dans les pentes, le poids de l'appareil remorqué risque de provoquer une perte de traction ou de contrôle.

• Circulez lentement en maintenant les distances pour vous arrêter.

V. ENTRETIEN

MANIPULATION SÛRE DE L'ESSENCE

• Manipulez l'essence avec une prudence extrême afin d'éviter les blessures personnelles et les dégâts matériels. L'essence est extrêmement inflammable et les vapeurs sont explosives.

• Éteignez les cigarettes, les cigares, les pipes et toutes les autres sources d'inflammation.

• N'utilisez que des récipients d'essence homologués.

• Il est strictement interdit d'ôter le capuchon du carburant ou d'ajouter du carburant lorsque le moteur est en marche. Laissez le moteur refroidir avant de faire le plein.

• Ne faites jamais le plein à l'intérieur.

• Ne rangez jamais la machine ou le récipient du carburant dans un endroit en présence d'une flamme libre, d'étincelles ou d'une flamme pilote, comme par exemple un chauffe-eau ou d'autres appareils.

• Ne remplissez jamais les récipients dans un véhicule ou un camion ou une remorque ayant un revêtement en plastique. Placez toujours les récipients au sol, loin du véhicule, avant de les remplir.

• Déchargez les appareils à essence du camion ou de la remorque plein avec un récipient portable plutôt qu'avec une pompe. Laissez la buse au contact du bord du réservoir d'essence ou de l'ouverture du récipient jusqu'à la fin de l'opération de remplissage. N'utilisez pas de dispositif de verrouillage de la buse ouverte.

RÈGLES DE SÉCURITÉ

Conseils pour l'utilisation en toute sécurité des tracteurs

DANGER: CET TRACTEUR PEUT AMPUTER LES MAINS, LES PIEDS ET PROJETER DES OBJETS. L'OBSERVATION DES RÈGLES DE SÉCURITÉ SUIVANTES PEUT ÊTRE LA CAUSE DE BLESSURES SÉRIEUSES ET MÊMES MORTELLES.

- Ne faites pas fonctionner la machine si le ramasse herbe, la protection de l'évacuation ou les autres dispositifs de sécurité ne sont en place et en bon état.
- Ralentissez avant de tourner,
- Ne laissez jamais la machine en marche sans surveillance. Arrêtez toujours les lames, tirez le frein à main, arrêtez le moteur et enlevez les clés avant de descendre.
- Dégagez les lames lorsque vous ne tondez pas. Arrêtez le moteur et attendez que tous les éléments soient complètement arrêtés avant de nettoyer la machine ou d'enlever le ramasse herbe ou de libérer la protection de l'évacuation, Ne faites marcher la machine que le jour ou à la lumière artificielle,
- Ne faites pas marcher la machine si vous êtes sous l'influence de l'alcool ou de drogues.
- Faites attention à la circulation si vous opérez à proximité d'une route ou si vous la traversez.
- Faites très attention lorsque vous chargez la machine sur un camion ou une remorque.
- Portez toujours des lunettes de protection lorsque vous utilisez la machine.
- Les statistiques montrent que les accidents provoqués par des tondeuses autoportées sont plus fréquents chez les opérateurs de plus de 60 ans. Ces personnes doivent évaluer leur capacité de conduire une tondeuse en garantissant un niveau de sécurité adéquat à eux-mêmes et aux autres.
- Respectez les recommandations du fabricant au niveau des poids des roues et des contrepois.
- Libérez la machine des brins d'herbe, des feuilles ou autres débris accumulés susceptibles de toucher le tuyau d'échappement ou les parties chaudes du moteur et de brûler. Ne laissez pas le bas de la tondeuse cisailier et d'autres débris susceptibles de s'accumuler. Nettoyez l'huile et le carburant éventuellement versé avant d'utiliser ou de ranger la machine. Laissez la machine refroidir avant de la ranger.

II. FONCTIONNEMENT DANS LES PENTES

Les pentes sont très souvent à l'origine de pertes de contrôle et de tonneaux, susceptibles de provoquer de graves blessures, même mortelles. Soyez très prudent lorsque vous opérez dans les pentes. Si vous n'êtes pas en mesure d'affronter les pentes ou si vous sentez mal à l'aise, ne les tondez pas.

- Tondez les pentes en montant et en descendant, jamais transversalement.
- Faites attention aux trous, aux orniers, aux bosses ou autres objets cachés. La machine risque de capoter sur les sols inégaux. L'herbe haute peut cacher des obstacles.
- Sélectionnez une vitesse so faible afin de ne pas devoir ralentir ou changer de vitesse dans les pentes. Ne tondez pas sur l'herbe humide. Les pneus risquent de mal adhérer.
- Laissez toujours la machine embrayée lorsque vous descendez une pente. Ne mettez jamais au point mort dans les descentes.
- Évitez d'effectuer les démarrages, arrêts ou virages dans les pentes. Si les pneus n'adhèrent plus, dégagez les lames et procédez lentement vers le bas de la pente.
- Dans les pentes n'effectuez que des mouvements lents et progressifs. Ne changez jamais brusquement de vitesse ou de direction afin de ne pas faire culbuter la machine. Faites très attention lorsque vous utilisez la machine avec un ramasse herbe ou d'autres accessoires : ils risquent de nuire à la stabilité de la machine. Ne l'utilisez pas sur les pentes très raides.

AVERTISSEMENT: Débranchez toujours le fil de bougie d'allumage et pour prévenir les démarrages accidentels, posez-le de telle façon qu'il ne puisse pas entrer en contact avec la bougie d'allumage lors de l'installation, du transport, des ajustements ou des réparations.



AVERTISSEMENT: Ne descendez pas les pentes à point mort, vous pourriez perdre la commande du tracteur.



AVERTISSEMENT: Remorquez seulement les accessoires recommandés par et selon les spécifications du fabricant de votre tracteur. Utilisez votre bon sens pendant que vous remorquez. Opérez seulement avec la vitesse la plus réduite pendant que vous allez sur une pente. Il est dangereux d'avoir un chargement trop lourd pendant que vous opérez sur une pente. Les pneus peuvent détruire la traction avec la terre et vous faire perdre la commande de votre tracteur.



AVERTISSEMENT: Les gaz d'échappement et certains composants des véhicules contiennent ou émettent des produits chimiques reconnus dangereux par l'Etat de la Californie, parce que cancérogènes ou tératogènes ou responsables d'autres troubles de la reproduction.



AVERTISSEMENT: Les bornes des batteries, ainsi que toutes les bornes et leurs accessoires contenant du plomb, des dérivés de plomb ou des produits chimiques à base de plomb, sont reconnus dangereux par l'Etat de la Californie, parce que cancérogènes ou tératogènes ou responsables d'autres troubles de la reproduction. Lavez-vous soigneusement les mains après les avoir touchés.



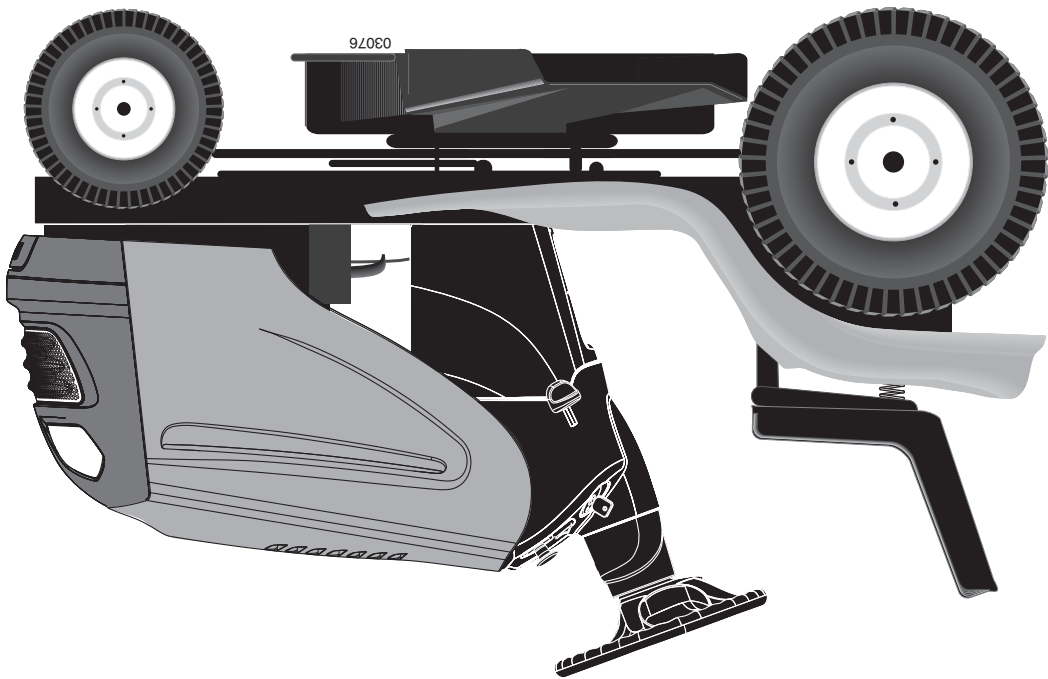
I. FONCTIONNEMENT GÉNÉRAL

- Veuillez lire, comprendre et suivre les instructions que vous trouverez sur la machine et dans le manuel avant de commencer.
- Ne mettez ni vos mains ni vos pieds à proximité des parties tournantes ou sous la machine. Les orifices d'évacuation doivent être toujours libres.
- Seuls les adultes responsables doivent être autorisés à utiliser la machine.
- Débarassez la zone des objets comme les pierres, les jouets, les fils de fer, etc.. susceptibles d'être prélevés et projetés par les lames.
- Vérifiez si personne ne stationne dans la zone avant de commencer. Si quelqu'un pénètre dans la zone arrêtez la machine.
- Ne portez jamais de passager.
- Ne tondez pas en marche arrière, sauf en cas de nécessité absolue. Regardez toujours vers le bas et vers l'arrière avant et pendant la marche arrière.
- Ne dirigez jamais le matériau déchargé vers qui que ce soit. Évitez de décharger le matériau contre un mur ou un obstacle. Le matériau risque de rebondir vers l'opérateur. Arrêtez les lames lorsque vous traversez des allées gravillonnées.

NE JETEZ PAS

MANUEL IMPORTANT

Poulan PRO



MANUEL DE L'OPÉRATEUR

MODÈLE:

PPH23B48

TRACTEUR DE PELOUSE

PORTEZ TOUJOURS DES LUNETTES DE SÉCURITÉ LORS DE L'UTILISATION.

Visitez notre site web: www.poulan-pro.com

427118 02.06.09 SR

Printed in the U.S.A.

AVERTISSEMENT:



Lisez soigneusement le manuel suivez tous les avertissements et les instructions de sécurité. Les blessures sérieuses peuvent en résulter si vous ne lisez pas ces avertissements et instructions de sécurité.