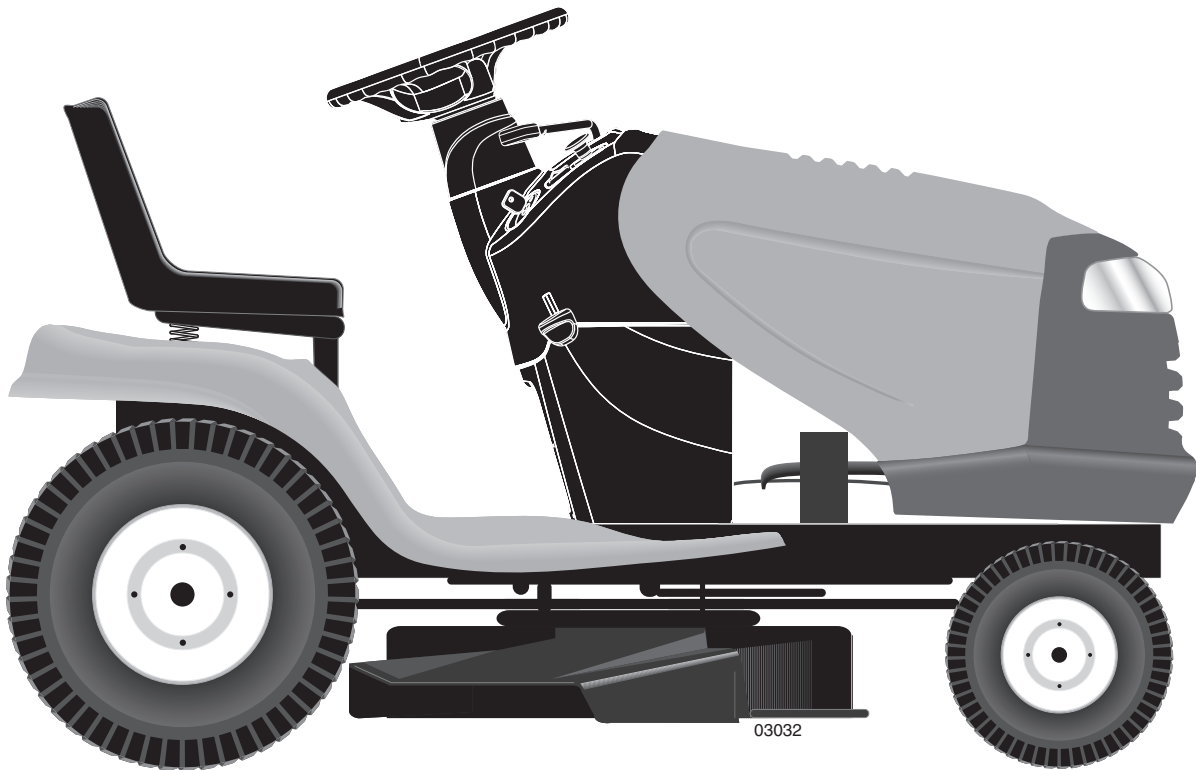


IMPORTANT MANUAL

DO NOT THROW AWAY

Poulan PRO



REPAIR PARTS MANUAL

MODEL:

PB22H46YT

LAWN TRACTOR



WARNING:

Read this Manual and follow all Warnings and Safety Instructions. Failure to do so can result in serious injury.

ALWAYS WEAR EYE PROTECTION DURING OPERATION

Visit our website: www.poulan-pro.com

430093 Rev. 1 09.01.09 CL

Printed in the U.S.A.

HOW TO USE THIS MANUAL

This manual is designed to provide the customer with a means to identify the parts on his/her tractor when ordering repair parts. The illustrations may or may not represent the actual assemblies; therefore, it is not recommended to use this manual as a guide to assemble or disassemble the tractor. Some hardware and parts are drawn larger in order to more readily identify them.

Each tractor has its own model number.

The model number for your tractor can be found on the fender under the seat.

When ordering parts, always give the following information:

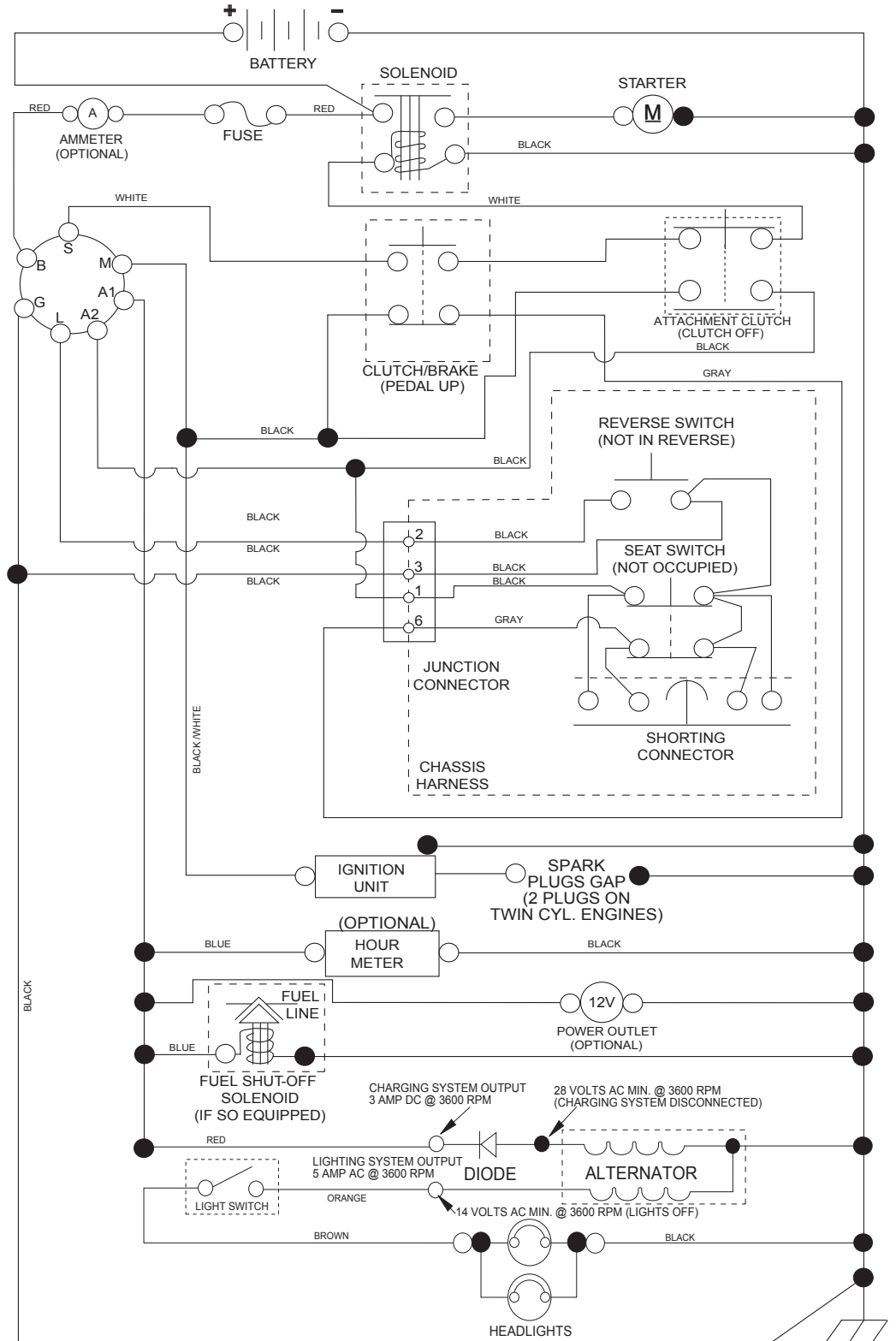
- Product - "TRACTOR"
- MODEL NUMBER - "PB22H46YT (96042010800)"
- Part Number
- Part Description

TABLE OF CONTENTS

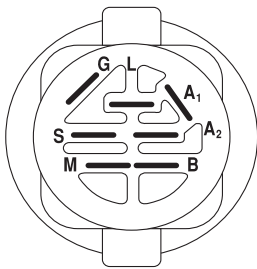
SCHEMATIC	3
ELECTRICAL.....	4-5
CHASSIS	6-7
DRIVE.....	8-9
ENGINE.....	10-10
STEERING	12
SEAT	13
MOWER DECK	14-15
DECALS.....	16
MOWER LIFT.....	17
WARRANTY.....	18

TRACTOR - - MODEL NO. PB22H46YT (96042010800), PRODUCT NO. 960 42 01-08 SCHEMATIC

SCH11

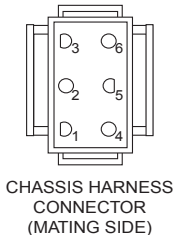


NOTE
YOUR TRACTOR IS EQUIPPED WITH A SPECIAL ALTERNATOR SYSTEM. THE LIGHTS ARE NOT CONNECTED TO THE BATTERY, BUT HAVE THEIR OWN ELECTRICAL SOURCE. BECAUSE OF THIS, THE BRIGHTNESS OF THE LIGHTS WILL CHANGE WITH ENGINE SPEED. AT IDLE THE LIGHTS WILL DIM. AS THE ENGINE IS SPEEDED UP, THE LIGHTS WILL BECOME THEIR BRIGHTEST.

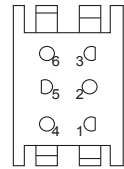


IGNITION SWITCH

POSITION	CIRCUIT	"MAKE"
OFF	M+G+A1	
RUN/OVERRIDE	B+A1	
RUN	B+A1	L+A2
START	B + S + A1	

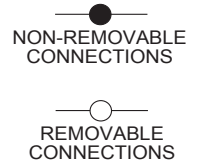


CHASSIS HARNESS CONNECTOR (MATING SIDE)

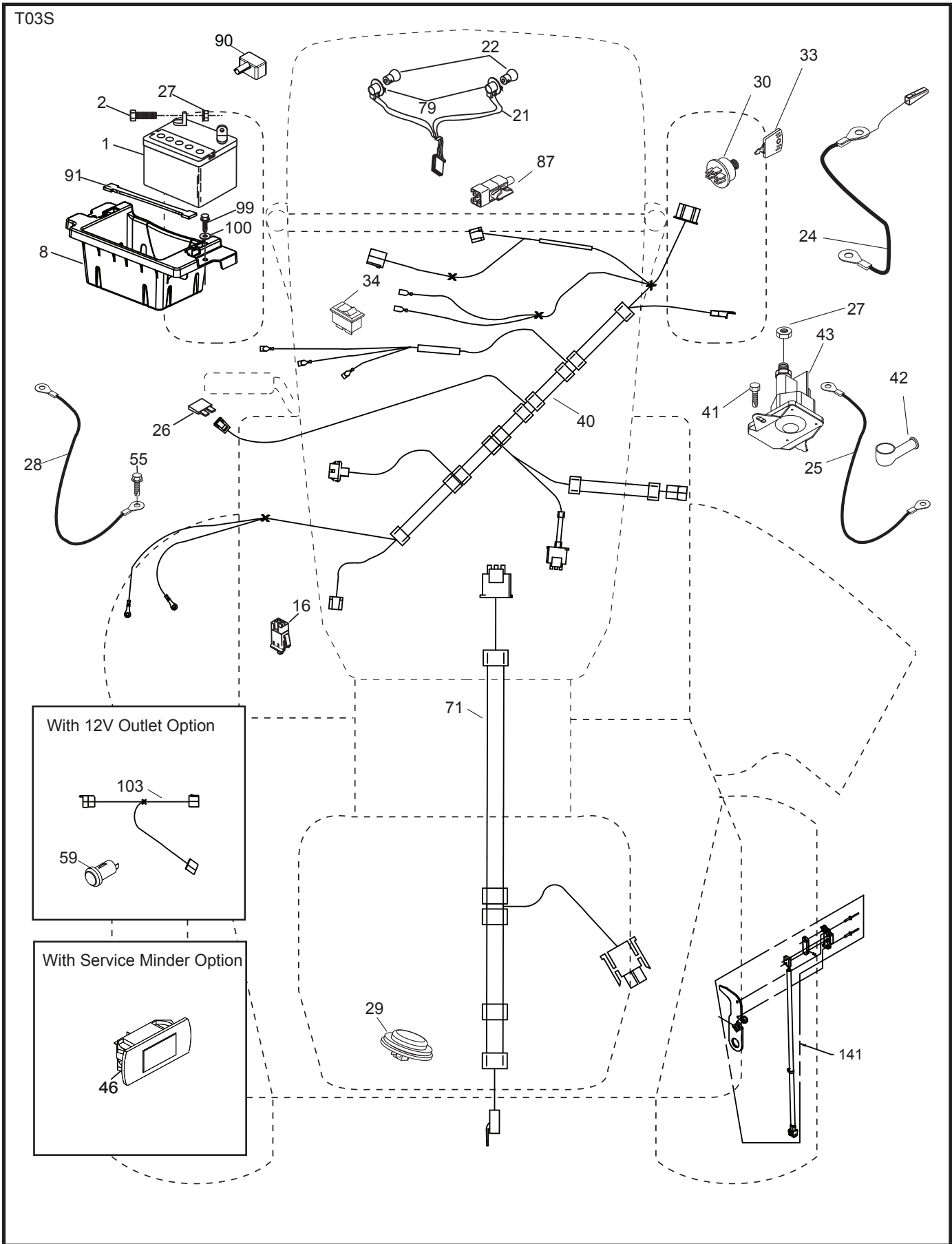


DASH HARNESS CONNECTOR (MATING SIDE)

WIRING INSULATED CLIPS
NOTE: IF WIRING INSULATED CLIPS WERE REMOVED FOR SERVICING OF UNIT, THEY SHOULD BE RE-INSTALLED TO PROPERLY SECURE YOUR WIRING.



TRACTOR - - MODEL NO. PB22H46YT (96042010800), PRODUCT NO. 960 42 01-08
ELECTRICAL

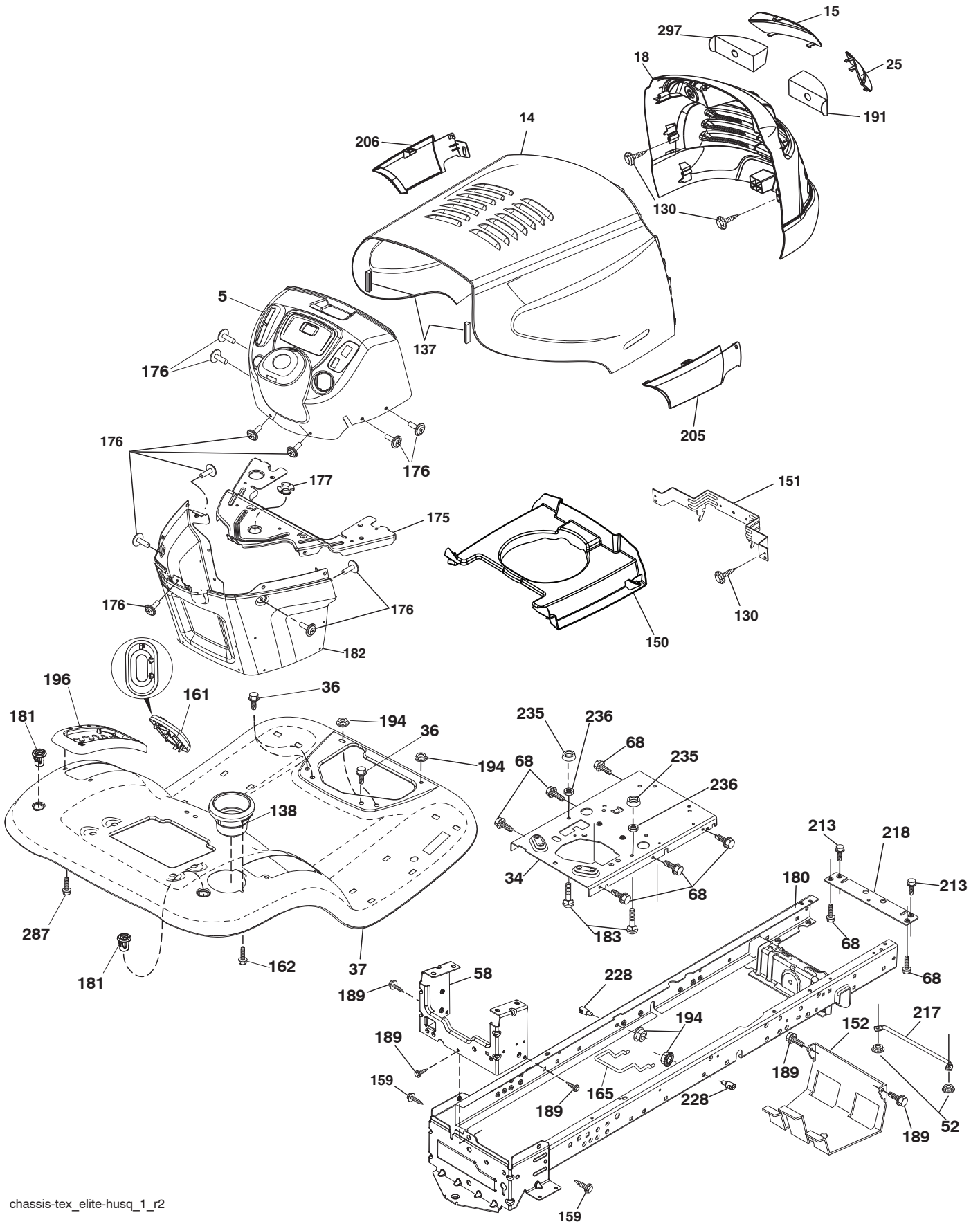


**TRACTOR - - MODEL NO. PB22H46YT (96042010800), PRODUCT NO. 960 42 01-08
ELECTRICAL**

KEY NO.	PART NO.	DESCRIPTION
1	163465	Battery
2	74760412	Bolt Hex Head 1/4-20 x 3/4
8	186491	Box Battery
16	176138	Switch Interlock Push-In
21	183759	Harness Socket Light w/4152J
22	4152J	Bulb Light
24	400253	Cable Battery
25	412894	Cable Starter
26	175158	Fuse
27	73510400	Nut Keps Hex 1/4-20 unc
28	145491	Cable, Ground
29	401545	Switch, Seat
30	193350	Switch, Ignition
33	411935	Key/Chain
34	110712X	Switch Light/Reset
40	401098	Harness Ignition Dash
41	17720408	Screw Thd Cut 1/4-20 x 1/2
42	131563	Cover, Terminal
43	192507	Solenoid
46	401763	Gauge SRVCMNDR HRMTR
55	17060512	Screw Thdrol 5/16-18 x 3/4 TYTT
71	194276	Harness Ignition
79	175242	Socket Asm Bulb Twistlock
87	197802	Switch Interlock Clutch Cable
90	400724	Cover Terminal Battery
91	190270	Strap Battery
99	17670412	Screw 1/4-20 x 3/4
100	19091416	Washer 9/32 x 7/8 x 16
102	404454	Harness Pigtail
105	407568	Switch Reverse
141	416977	Kit ROS

NOTE: All component dimensions given in U.S. inches
1 inch = 25.4 mm

TRACTOR - - MODEL NO. PB22H46YT (96042010800), PRODUCT NO. 960 42 01-08
CHASSIS



chassis-tex_elite-husq_1_r2

**TRACTOR - - MODEL NO. PB22H46YT (96042010800), PRODUCT NO. 960 42 01-08
CHASSIS**

KEY NO.	PART NO.	DESCRIPTION
5	199647X428	Dash
14	423095X421	Hood
15	188264X599	Lens Grille LH
18	423180	Grille
25	188263X599	Lens Grille RH
34	196125	Plate Engine
36	17060512	Screw 5/16-18 x 3/4
37	414878X421	Fender
52	73680500	Nut Crown Lock 5/16-18
58	412280	Drawbar Upper
68	17490508	Screw THDROL 5/16-18 x 1/2
130	416358	Screw #10 x 0.750 BOS Thread
137	184921	Bumper Hood
138	193224X428	Cupholder
150	189350	Duct Heat Hood
151	407807	Bracket Pivot
152	199535	Shield Browning/Debris
161	193229X428	Window Fuel
162	142432	Screw Hex Wsh Hi-Lo 1/4 x 1/2 unc
165	196826	Support Tank Rear
175	193243	Crossmember
176	400776	Screw 10-24 x 5/8 Wshd Qdrx
177	195227	Bushing Steering
180	415063	Chassis
181	193102X428	Bushing Mtg. Fender Crgo.
182	193057	Dash Lower
183	74780520	Bolt Fin Hex 5/16-18 x 1-1/4
189	17000512	Screw 5/16-18 x 3/4
191	188267	Insert Lens Reflective RH
194	73900500	Nut Lock Hex Flange 5/16-18
196	414579	Console Asm. Deck Lift
205	188265X428	Skirt Side RH
206	188266X428	Skirt Side LH
213	74760512	Bolt Hex HD 5/16-18 unc x 3/4
218	196395	X-Piece Hood
217	409167	Rod Pivot
228	195161	Stud Fastener
235	406129	Spacer Fender
236	73930500	Nut Center Lock 5/16-18 unc
287	17600406	Screw Hex Washhead 1/4-20 x 3/8
297	416500	Insert Lens Reflective LH

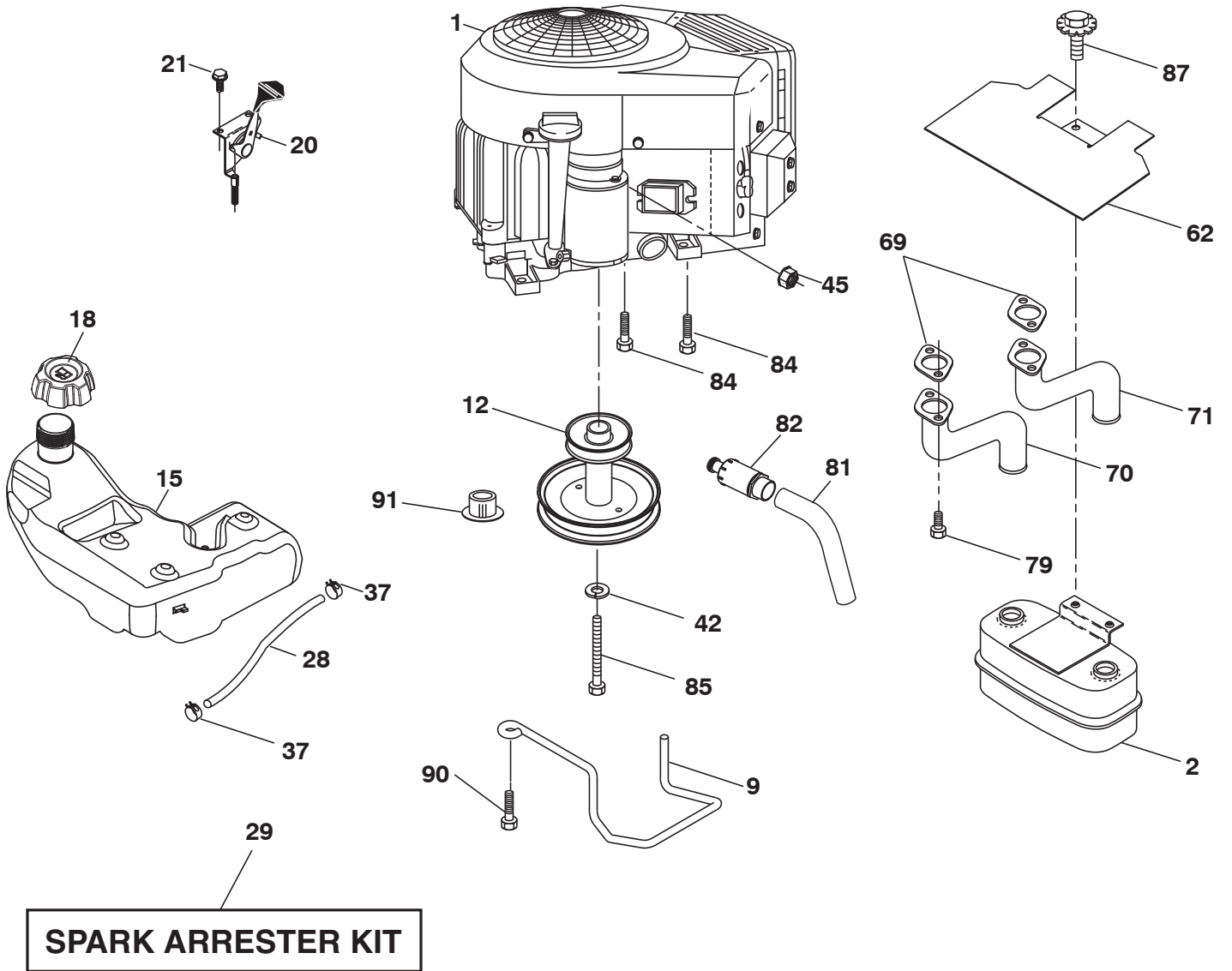
NOTE: All component dimensions given in U.S. inches
1 inch = 25.4 mm

**TRACTOR - - MODEL NO. PB22H46YT (96042010800), PRODUCT NO. 960 42 01-08
DRIVE**

KEY NO.	PART NO.	DESCRIPTION	KEY NO.	PART NO.	DESCRIPTION
1	-----	Transaxle, Hydro T2-AABC-1X2B-1GX1 (Order Parts from Transaxle Manufacturer)	161	105709	Spring, Return, Clutch
2	123583X	Key	162	408784	Adapter Transaxle
15	19131316	Washer 13/32 x 13/16 x 16 Ga.	163	413322	Rod Pedal Control
17	197296	Spring, Brake	166	428305	Nut Push .625
26	199679	Spring Return Cruise	167	405257	Latch Brake Parking
29	423239	Rod, Brake	170	413430	Keeper Belt Centerspan
33	12000001	Ring E	183	156972	Spacer Axle
35	197722	Rod, Brake, Park	184	198403X505	Handle Parking Brake
37	121749X	Washer 25/32 x 1-1/4 x 16 Ga.	185	72110622	Bolt
42	8883R	Cover, Foot Pedal	186	194321	Spacer Retainer
49	72110614	Bolt	187	19133210	Washer
50	194327	Pulley Idler Flat	188	194323	Link Clutch Ground Drive
51	73900600	Lock Nut 3/8-16	189	194317	Bellcrank Ground Drive
52	194326	Idler V-Groove 910" Offset	190	194318	Keeper Bellcrank Ground Drive
56	125907	V-Belt, Drive	205	121748X	Washer 25/32 x 1-5/8 x 16 Ga.
64	197865	Shaft Asm. Pedal Brake Control	206	197867	Bracket Mount Latch Cruise
73	74490544	Bolt 5/16-18 Gr. 5	207	197868	Latch Control Cruise
80	408393	Strap Torque	208	197869	Gear Sector Control Cruise
92	74760520	Bolt Fin Hex 5/16-18 unc x 1.25	209	400769	Rod Control Cruise
99	408418	Rod Asm Bypass Spring	210	400980	Rockr Asm. Pdeal Control
114	73800500	Nut Lock 5/16-18 unc	211	120183X	Bearing Nylon
116	73900500	Nut Lock Hex Flange 5/16-18	213	400799x428	Knob control Cruise
121	175611	Bracket Strap Torque	214	421263	Pad Pedal Forward
122	72010520	Bolt 5/16-18 x 2.50	215	197301x428	Pad Pedal Reverse
125	17000512	Screw 5/16-18 x 3/4	216	196131	Bracket Pulley Idler
143	17490508	Screw Thdrol 5/16-18 x 1/2	221	403187	Retainer Spring Clip Handle
153	4497H	Retainer Spring	222	79212010	Washer 21/32 x 1-1/4 10 Ga.
159	76020412	Pin Cotter 1/8 x 3/4	231	407287	Idler V-Groove 1.688
160	169484	Retainer Clip			

NOTE: All component dimensions given in U.S. inches
1 inch = 25.4 mm

TRACTOR - - MODEL NO. PB22H46YT (96042010800), PRODUCT NO. 960 42 01-08
ENGINE



engine-tex_bs-2cyl_51

**TRACTOR - - MODEL NO. PB22H46YT (96042010800), PRODUCT NO. 960 42 01-08
ENGINE**

KEY NO.	PART NO.	DESCRIPTION
1	-----	Engine B&S Model No. 407777-1195-B1
2	149723	Muffler
9	194319	Keeper Belt Engine
12	405140	Pulley Engine
15	400021	Tank Fuel
18	195951	Cap Fuel
20	421473X428	Control Throttle/Choke
21	416358	Screw #10 x 0.750 BOS Thread
28	401135	Fuel Line
29	137180	Spark Arrester Kit
37	123487X	Clamp Hose
42	10040700	Washer Lock 7/16
45	73510400	Nut Keps Hex 1/4-20 unc
62	146629	Shield Heat Muffler
69	165391	Gasket
70	159955	Exhaust Tube LH
71	160589	Exhaust Tube RH
79	183906	Screw Socket HD 5/16-18 x 1
81	148456	Tube Drain Oil Easy
82	428287	Valve Drain Oil
84	17060620	Screw 3/8-16 x 1-1/4
85	173937	Bolt 7/16-20 x 4 x Gr. 5-1.5
87	171877	Bolt 5/16 - 18 x 3/4
90	17000616	Screw 3/8-16 x 1
91	187495	Bushing

NOTE: All component dimensions given in U.S. inches
1 inch = 25.4 mm

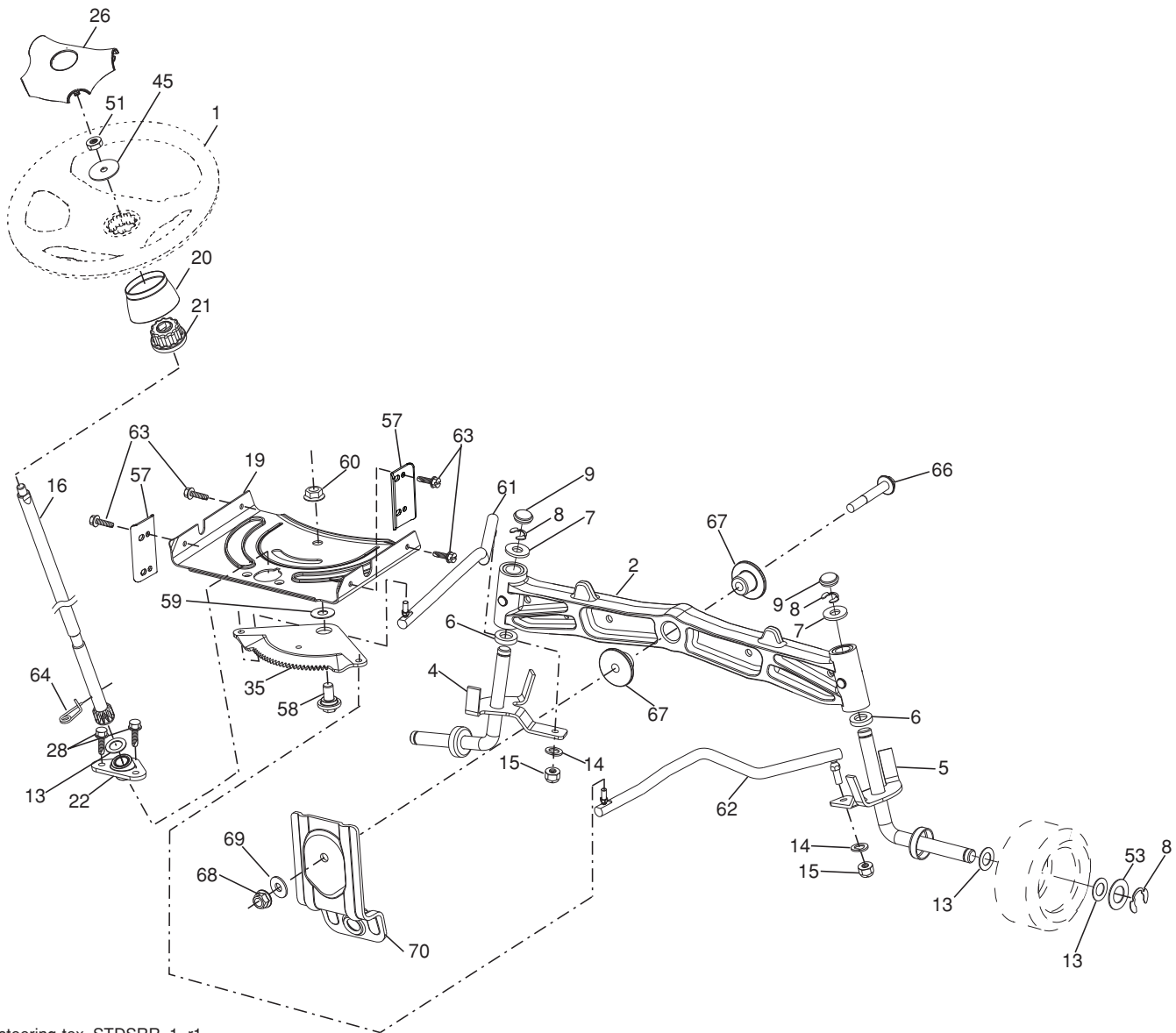
For engine service and replacement parts, call the toll free number for your engine manufacturer listed below:

Briggs & Stratton 1-800-233-3723

ENGINE POWER RATING INFORMATION

The gross power rating for individual gas engine models is labeled in accordance with SAE (Society of Automotive Engineers) code J11940 (Small Engine Power & Torque Rating Procedure), and rating performance has been obtained and corrected in accordance with SAE J1995 (Revision 2002-5). Actual gross engine power will be lower and is affected by, among other things, ambient operating conditions and engine-to-engine variability. Given both the wide array of products on which engines are placed and the variety of environmental issues applicable to operating the equipment, the gas engine will not develop the rated gross power when used in a given piece of power equipment (actual "on-site" or net horsepower). This difference is due to a variety of factors including, but not limited to, accessories (air cleaner, exhaust, charging, cooling, carburetor, fuel pump, etc.), application limitations, ambient operating conditions (temperature, humidity, altitude), and engine-to-engine variability. Due to manufacturing and capacity limitations, Briggs & Stratton may substitute an engine of higher rated power for this Series engine.

**TRACTOR - - MODEL NO. PB22H46YT (96042010800), PRODUCT NO. 960 42 01-08
STEERING ASSEMBLY**

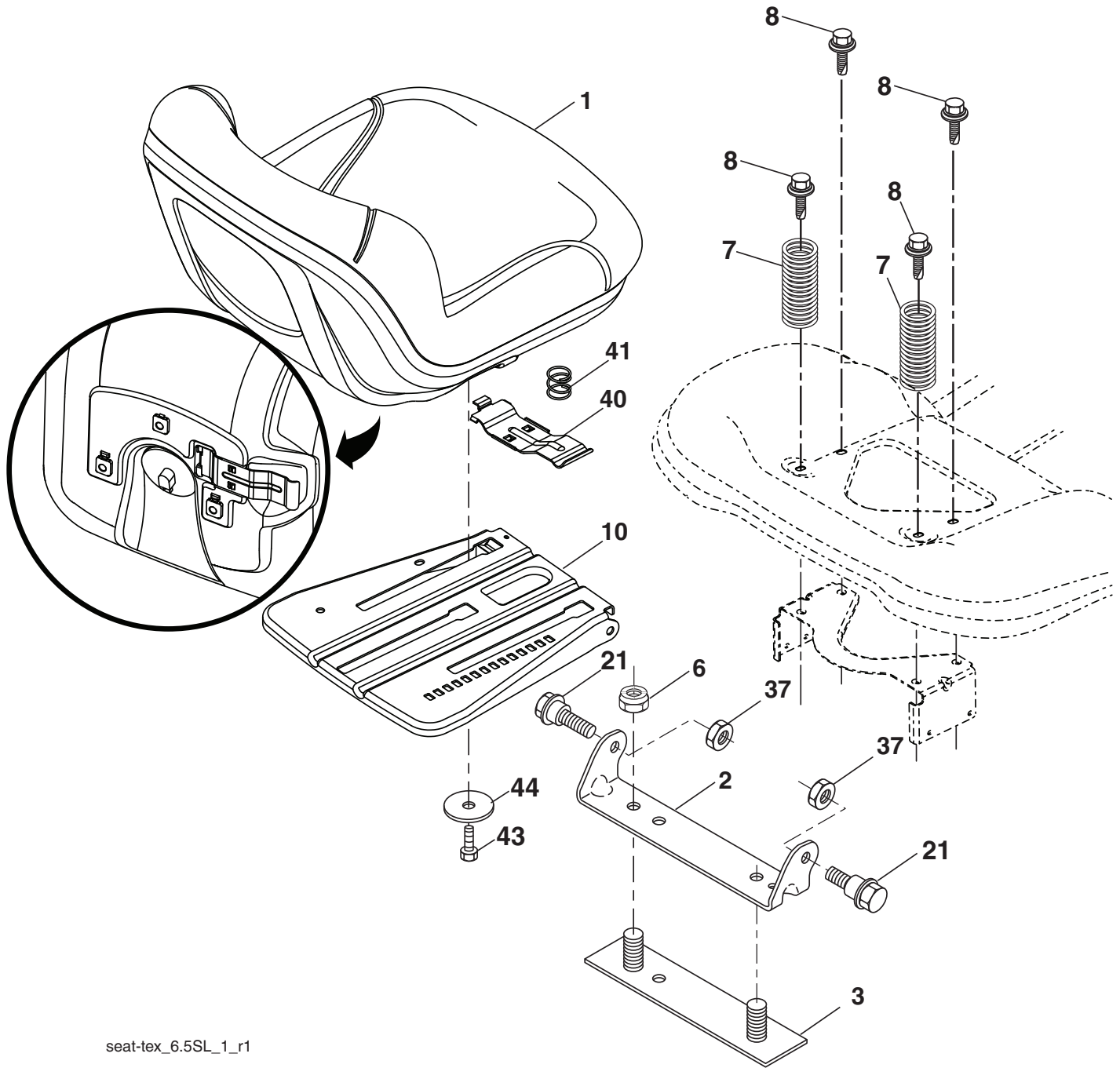


steering-tex_STDSRR_1_r1

KEY NO.	PART NO.	DESCRIPTION	KEY NO.	PART NO.	DESCRIPTION
1	414851X421	Wheel, Steering	45	19183812	Washer 9/16 ID x 2-3/8 x 12 Ga.
2	195968	Axle Asm., Front	51	73940800	Nut Hex Jam Toplock 1/2-20 unf
4	403087	Spindle Asm., LH	53	188967	Washer Hardened .793x1.637x.060
5	403088	Spindle Asm., RH	57	407465	Bracket Upstop
6	6266H	Bearing, Race Thrust Harden	58	194747	Bolt Shoulder Sector Pivot CFM
7	121748X	Washer 25/32 x 1-5/8 x 16 Ga.	59	194748	Washer Thrust Sector Steering
8	1200029	Ring, Clip #T5304-75	60	73971000	Nut Flange Lock 5/8-11
9	121232X	Cap, Spindle	61	194740	Draglink, LH
13	121749X	Washer 25/32 x 1-1/4 x 16 Ga.	62	194741	Draglink, RH
14	10040600	Washer, Lock Hvy Hlcl Spr 3/8	63	17000512	Screw 5/16-18 x 3/4
15	73540600	Nut, Crown Lock 3/8-24 unf	64	199849	Retainer Clip Spring Steering
16	408219	Shaft Steering	66	71020748	Bolt Hex Fghd 7/16-14 x 3 Serr
19	194729	Plate Steering	67	194737	Bushing PM Front Axle
20	199743X428	Boot, Steering	68	73900700	Nut Lock Flange 7/16-14 Gr. 5
21	186737	Adapter, Wheel Steering	69	199162	Washer 1.5 x .505 x .118
22	420537	Steering Support Lower	70	196197	Bracket Deck Susp. Front
26	414854X421	Insert, Wheel Steering			
28	17000612	Screw 3/8-16 x 3/4			
35	194732	Gear, Sector Plate			

NOTE: All component dimensions given in U.S. inches
1 inch = 25.4 mm

**TRACTOR - - MODEL NO. PB22H46YT (96042010800), PRODUCT NO. 960 42 01-08
SEAT ASSEMBLY**



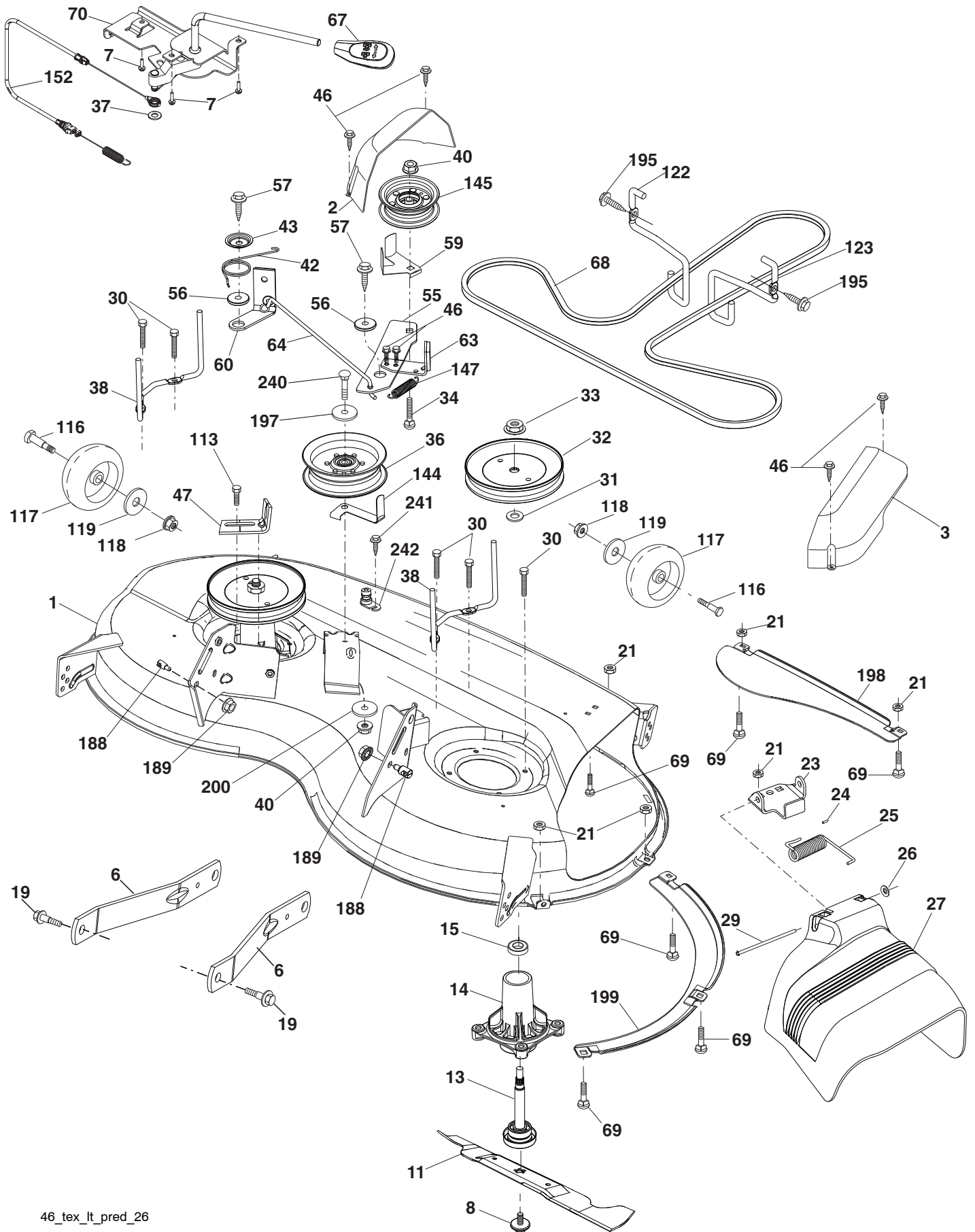
seat-tex_6.5SL_1_r1

KEY NO.	PART NO.	DESCRIPTION
1	406623	Seat
2	180166	Bracket Pivot Fender
3	140675	Strap, Asm Fender
6	73800600	Nut, Lock w/Ins. 3/8-16 unc
7	124181X	Spring, Seat Cprsn
8	171877	Bolt 5/16-18 unc x 3/4 w/Sems
10	196977	Pan, Seat
21	171852	Bolt, Shoulder 5/16-18

KEY NO.	PART NO.	DESCRIPTION
37	73800500	Nut, Lock 5/16-18 unc
40	197661	Handle Slide Seat
41	198200	Spring Latch Seat
43	74760612	Bolt Fin Hex 3/8-16 unc x 3/4
44	19133812	Washer 13/32 x 2-3/8 x 12 Ga.

NOTE: All component dimensions given in U.S. inches
1 inch = 25.4 mm

TRACTOR - - MODEL NO. PB22H46YT (96042010800), PRODUCT NO. 960 42 01-08
MOWER DECK

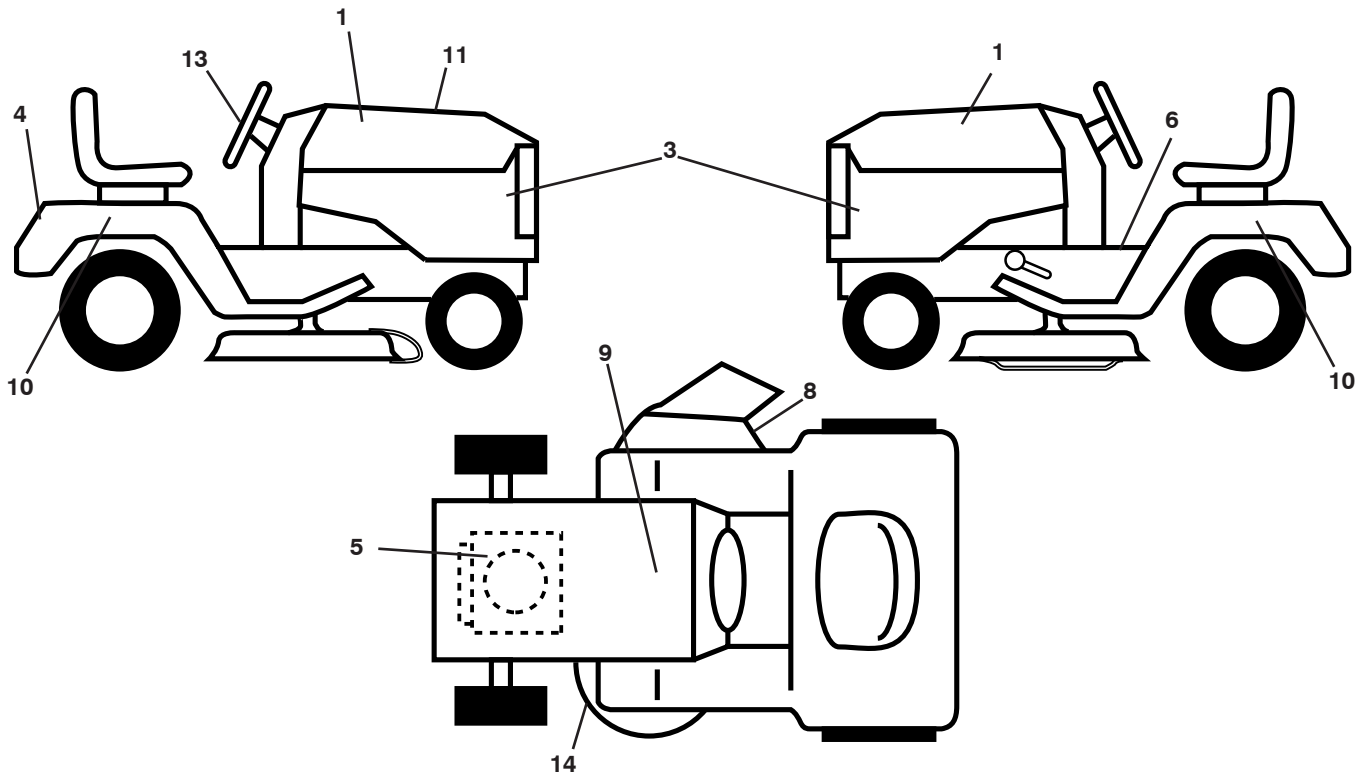


**TRACTOR - - MODEL NO. PB22H46YT (96042010800), PRODUCT NO. 960 42 01-08
MOWER DECK**

KEY NO.	PART NO.	DESCRIPTION	KEY NO.	PART NO.	DESCRIPTION
1	405049	Mower Housing	63	199477	Arm Brake Mower
2	405507	Cover Mandrel LH	64	405138	Linkage Brake
3	405506	Cover Mandrel RH	67	198398X428	Handle, Clutch Cable
6	195186	Arm Suspension	68	405143	V-Belt
7	416358	Screw #10 x 0.750 BOS Thread	69	72140505	Bolt
8	193003	Bolt/Washer Asm 7/16-20 unf	70	199779	Clutch Asm. Manual
11	405380	Blade Mower Hi-Lift	113	17000510	Screw 5/16-18
--	403107	Blade Mower Mulching	116	4898H	Bolt, Shoulder
13	192872	Shaft Assembly, Mandrel	117	188606	Wheel, Gauge
14	187281	Housing, Mandrel	118	73930600	Nut, Crownlock 3/8-1
15	110485X	Bearing, Ball, Mandrel	119	19121414	Washer 13/32 x 7/8 x 14 Ga.
19	196539	Bolt, Shoulder	122	197258	Keeper Belt Eng. LH
21	73680500	Nut	123	197259	Keeper Belt Eng. RH
23	192557	Bracket, Deflector	144	199204	Keeper Belt
24	105304X	Cap, Sleeve	145	193197	Pulley Idler Primary
25	197026	Spring, Torsion, Deflector	147	401872	Spring Return
26	110452X	Nut, Push	152	408714	Cable Clutch Manual w/Spr.
27	405357	Shield, Deflector	188	195161	Stud Fastener
29	131491	Rod, Hinge	189	73900500	Nut Lock Hex Flange
30	173984	Screw Thdrol Rolling Wsh Hd	195	17000612	Screw 3/8-16 x 3/4
31	187690	Washer, Spacer	197	19131312	Washer 13/32 x 13/16 x 12 Ga.
32	197473	Pulley, Mandrel	198	403149	Baffle Center Front
33	400234	Nut, Toplock, Flanged	199	403150	Baffle Front RH
34	72110612	Bolt Carr Sh. 3/8-16 x 1-1/2 Gr. 5	200	413524	Washer 13/32 x 1 x 1/2 11 Ga.
36	197379	Pulley, Idler	240	74520636	Bolt Fin Hex 3/8-16 x 2-1/4 Gr. 5
37	19131316	Washer 13/32 x 13/16 x 16 Ga.	241	152927	Screw
38	199189	Keeper Belt LH Mandrel	242	415598	Washout Port
40	73900600	Nut, Lock Flg. 3/8-16 unc	--	192870	Mandrel Assembly (Includes housing, shaft assembly, and bearing only - pulley/nut/washer and blade bolt/washers not included)
42	198410	Spring Torsion Brake	--	416405	Quick Connect Coupling
43	197256	Spring Torsion Retainer	--	418063	Replacement Mower, Complete
46	137729	Screw			
47	197250	Bracket Clutch Cable			
55	197249	Arm, Idler			
56	199092	Spacer, Retainer			
57	17000616	Screw Hexwsh Thd 3/8-16 x 1			
59	141043	Guard, Tuv Idler (94)			
60	199471	Arm Brake Mower			

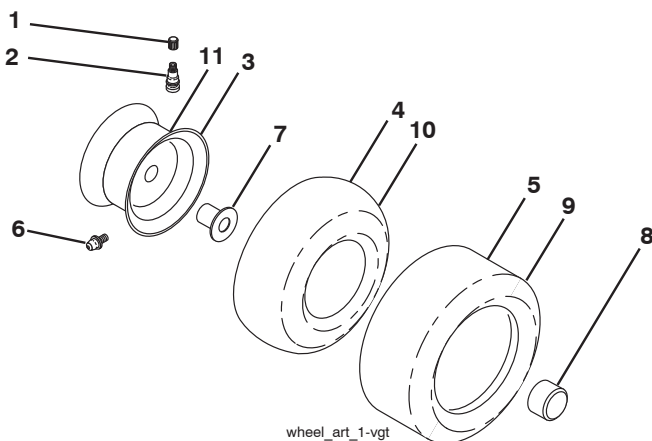
NOTE: All component dimensions given in U.S. inches
1 inch = 25.4 mm

**TRACTOR - - MODEL NO. PB22H46YT (96042010800), PRODUCT NO. 960 42 01-08
DECALS**



KEY NO.	PART NO.	DESCRIPTION	KEY NO.	PART NO.	DESCRIPTION
1	430113	Decal, Hood	11	430083	Decal, Replacement
3	430341	Decal, Side Panel	13	430111	Decal, Steering Wheel
4	430112	Decal, Fender	14	160396	Decal, Mower Schematic
5	429562	Decal, Eng H.P.	--	400981X428	Pad, Footrest Control
6	411658	Decal, Fender Operator's	--	166960	Decal, Bypass
8	170563	Decal, Warning	--	193226X428	Pad, Footrest, LH
9	145005	Decal, Battery Dnge/Poi	--	430092	Manual, Operator's (Eng/French)
10	430255	Decal, Fender SD RH	--	430464	Manual, Operator's (Span)
			--	430093	Manual, Parts (Eng/French)

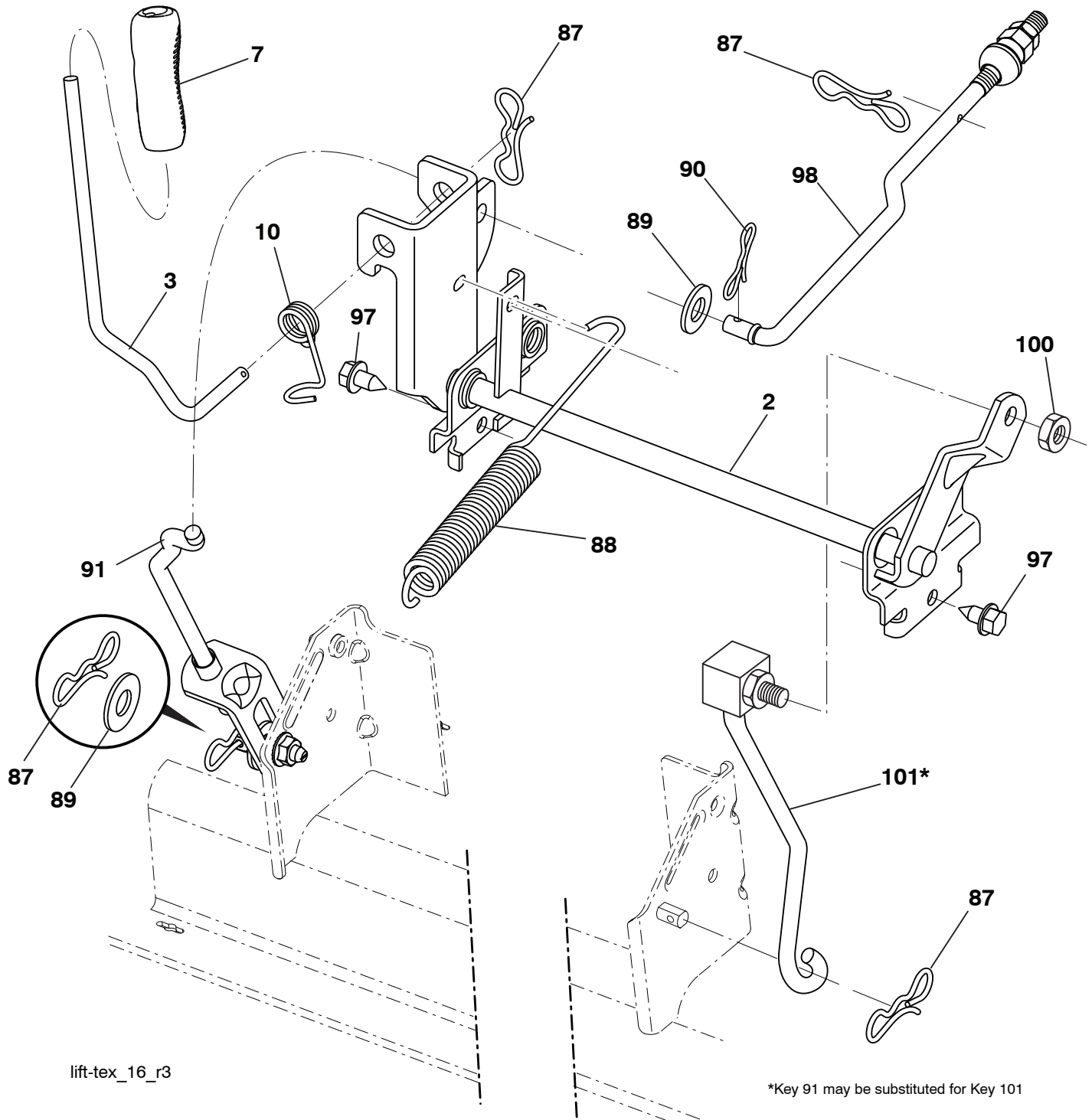
WHEELS AND TIRES



KEY NO.	PART NO.	DESCRIPTION
1	59192	Cap, Valve, Tire
2	65139	Stem, Valve
3	106732	Rim Assembly, Front
4	59904	Tube, Front
5	106222X	Tire, Front
6	278H	Fitting, Grease
7	9040H	Bearing, Flange
8	104757X428	Cap, Axle (Front Wheel Only)
9	420531	Tire, Rear 18 x 9.5-8 Turf Saver
10	7152J	Tube, Rear
11	106108X	Rim Assembly, Rear
--	144334	Sealant, Tire (10 oz. Tube)

NOTE: All component dimensions given in U.S. inches
1 inch = 25.4 mm

**TRACTOR - - MODEL NO. PB22H46YT (96042010800), PRODUCT NO. 960 42 01-08
MOWER LIFT**



lift-tex_16_r3

*Key 91 may be substituted for Key 101

KEY NO.	PART NO.	DESCRIPTION
2	422027	Shaft Asm., Lift
3	195231	Lever Asm., Lift RH
7	196492X428	Grip, Lever
10	196314	Spring Torsion
87	194209	Pin Cotter 7/16 Bow Tie Lock
88	410710	Spring Lift Assist
89	19191912	Washer Clear Zinc
90	194208	Pin Cotter 5/16 Bow Tie Lock
91	195181	Link Asm. Lift Rear

KEY NO.	PART NO.	DESCRIPTION
97	17000612	Screw 3/8-16 x .75 Smgml Tap/R.Z
98	195270	Link Lift Susp. Front Mower
100	73930600	Nut Centerlock 3/8-16 unc
101	407003	Link Asm. Lift Fixed

NOTE: All component dimensions given in U.S. inches
1 inch = 25.4 mm

LIMITED WARRANTY

The Manufacturer warrants to the original consumer purchaser that this product as manufactured is free from defects in materials and workmanship. For a period of two (2) years from date of purchase by the original consumer purchaser, we will repair or replace, at our option, without charge for parts or labor incurred in replacing parts, any part which we find to be defective due to materials or workmanship. This Warranty is subject to the following limitations and exclusions.

1. This warranty does not apply to the engine, transaxle/transmission components, battery (except as noted below) or components parts thereof. Please refer to the applicable manufacturer's warranty on these items.
2. Transportation charges for the movement of any power equipment unit or attachment are the responsibility of the purchaser. Transportation charges for any parts submitted for replacement under this warranty must be paid by the purchaser unless such return is requested by the manufacturer.
3. Battery Warranty: On products equipped with a Battery, we will replace, without charge to you, any battery which we find to be defective in manufacture, during the first ninety (90) days of ownership. After ninety (90) days, we will exchange the Battery, charging you 1/12 of the price of a new Battery for each full month from the date of the original sale. Battery must be maintained in accordance with the instructions furnished.
4. The Warranty period for any products used for rental or commercial purposes is limited to 90 days from the date of original purchase.
5. This Warranty applies only to products which have been properly assembled, adjusted, operated, and maintained in accordance with the instructions furnished. This Warranty does not apply to any product which has been subjected to alteration, misuse, abuse, improper assembly or installation, delivery damage, or to normal wear of the product.
6. Exclusions: Excluded from this Warranty are belts, blades, blade adapters, normal wear, normal adjustments, standard hardware and normal maintenance.
7. In the event you have a claim under this Warranty, you must return the product to an authorized service dealer.

Should you have any unanswered questions concerning this Warranty, please contact:

HOP
Outdoor Products Customer Service Dept.
1030 Stevens Creek Road
Augusta, GA 30907 USA

In Canada contact:
HOP
5855 Terry Fox Way
Mississauga, Ontario
L5V 3E4

giving the model number, serial number and date of purchase of your product and the name and address of the authorized dealer from whom it was purchased.

THIS WARRANTY DOES NOT APPLY TO INCIDENTAL OR CONSEQUENTIAL DAMAGES AND ANY IMPLIED WARRANTIES ARE LIMITED TO THE SAME TIME PERIODS STATED HEREIN FOR OUR EXPRESSED WARRANTIES. Some areas do not allow the limitation of consequential damages or limitations of how long an implied Warranty may last, so the above limitations or exclusions may not apply to you. This Warranty gives you specific legal rights, and you may have other rights which vary from locale to locale.

This is a limited Warranty within the meaning of that term as defined in the Magnuson-Moss Act of 1975.