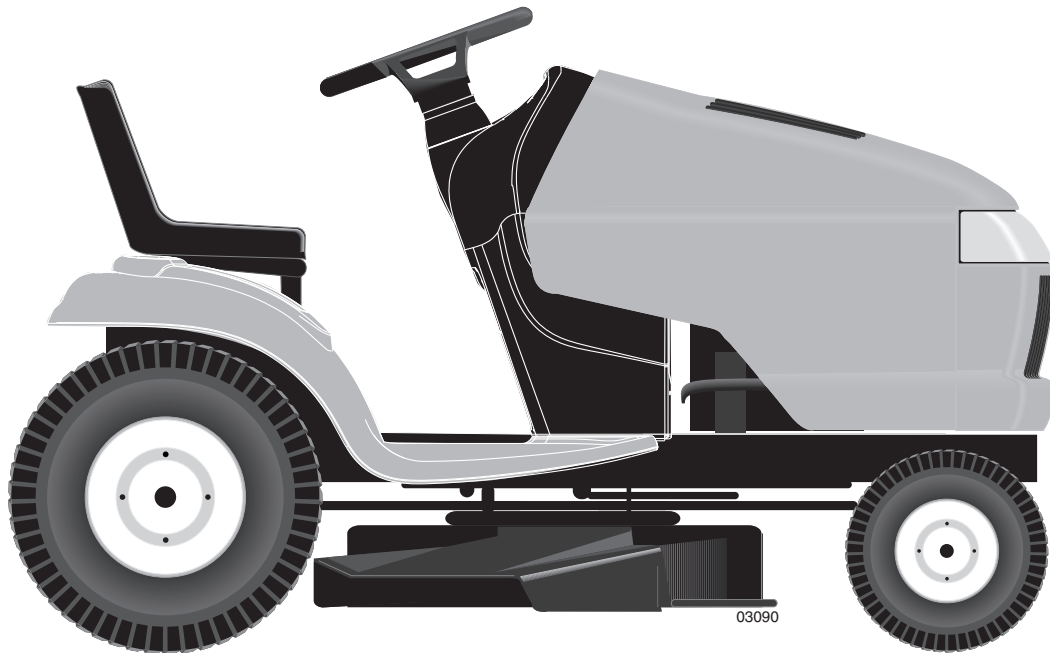


IMPORTANT MANUAL

Do Not Throw Away

Poulan PRO



REPAIR PARTS MANUAL

MODEL:

PBGT26H54

GARDEN TRACTOR

ALWAYS WEAR EYE PROTECTION DURING OPERATION

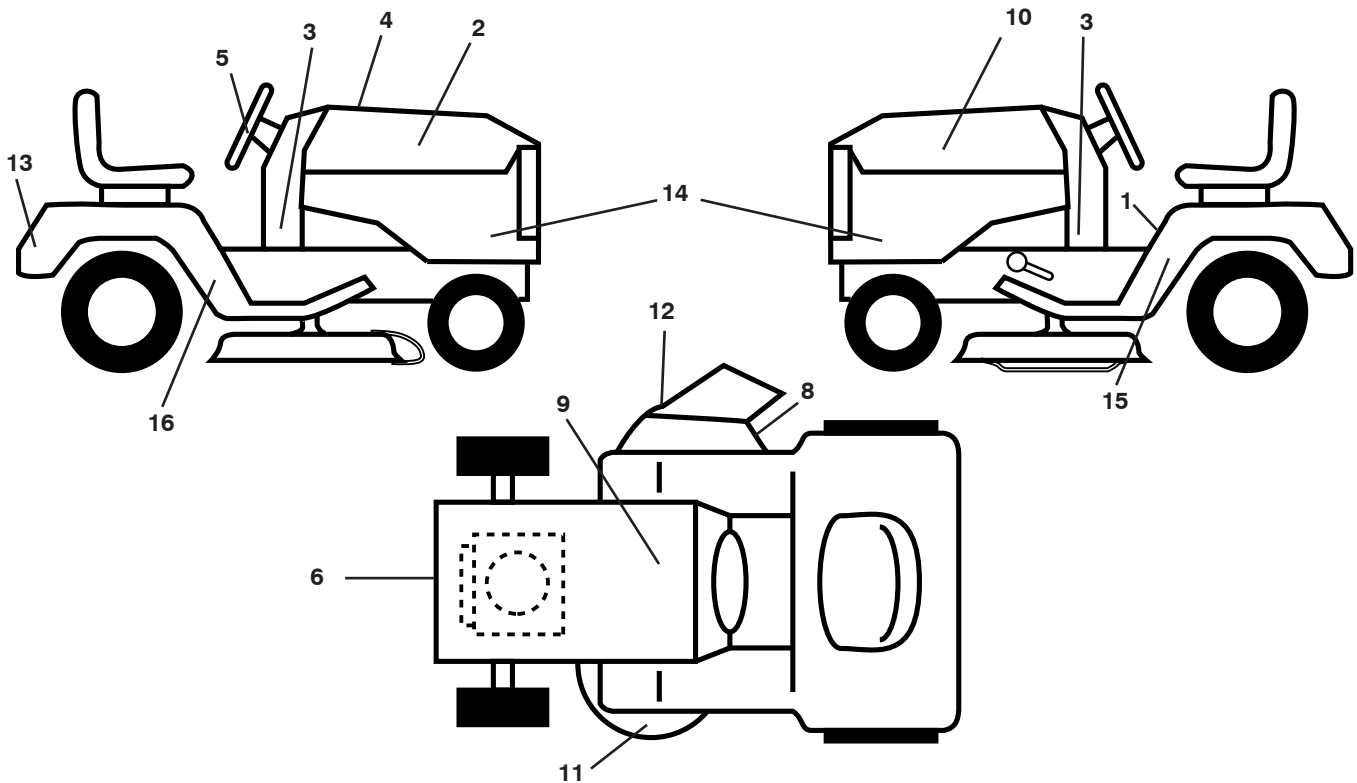
Visit our website: www.poulan-pro.com



WARNING:

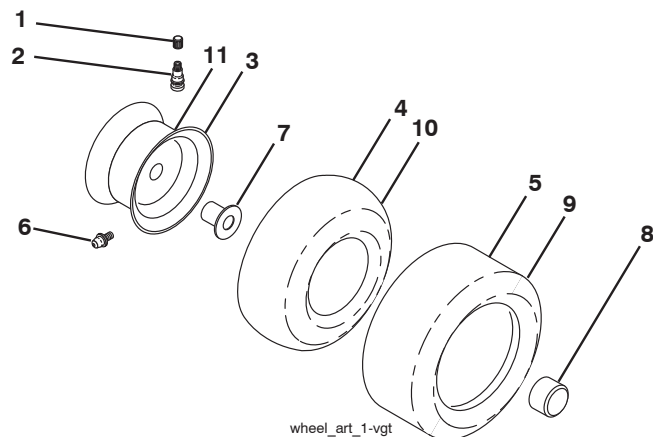
Read this Manual and follow all Warnings and Safety Instructions. Failure to do so can result in serious injury.

**TRACTOR - - MODEL NUMBER PBGT26H54 (96042004004), PRODUCT NO. 960 42 00-40
DECALS**



KEY NO.	PART NO.	DESCRIPTION	KEY NO.	PART NO.	DESCRIPTION
1	411658	Decal, Operator's	12	170563	Decal, Mower Warning Keep Hand Away
2	402355	Decal, Hood RH	13	172740	Decal, Fender
3	402525	Decal, Dash Lower	14	408796	Decal, Panel SD
4	411140	Decal, Replacement	15	408948	Decal, Fender SD LH
5	423398	Decal, Strg Whl	16	408949	Decal, Fender SD RH
6	408843	Decal, Engine HP	--	166960	Decal, Bypass
8	198785	Decal, Mower Sch.	--	193279X428	Pad, Footrest, LH
9	145005	Decal, Battery Dnge/Poi	--	193101X428	Pad, Footrest, RH
10	402357	Decal, Hood LH	--	423349	Manual, Operator's (Eng & French)
11	178502	Decal, Mower Caution	--	423350	Manual, Parts

WHEELS AND TIRES

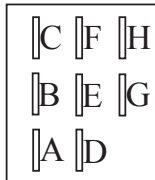
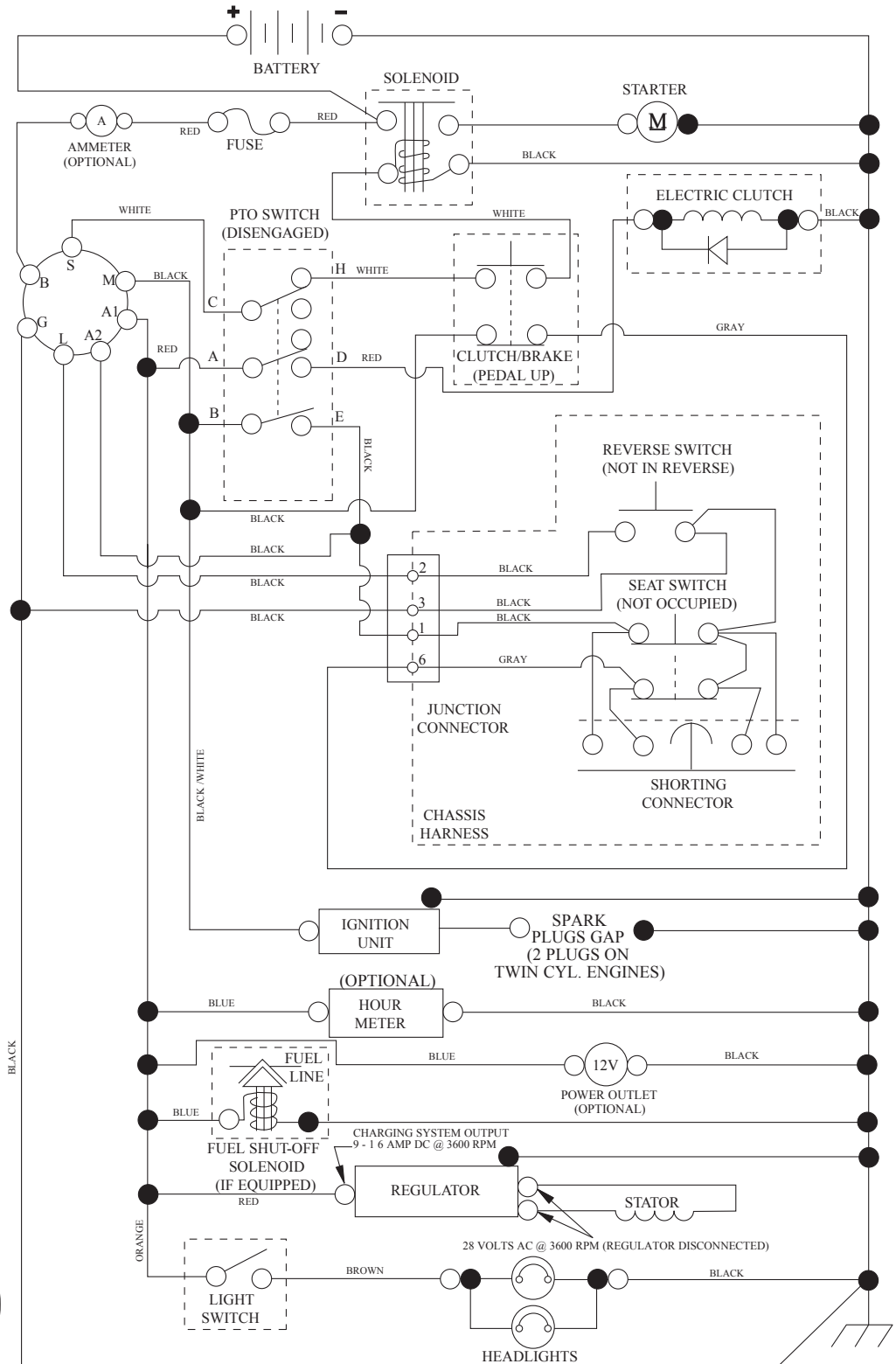


KEY NO.	PART NO.	DESCRIPTION
1	59192	Cap, Valve, Tire
2	65139	Stem, Valve
3	106228X421	Rim Assembly, Front
4	8134H	Tube, Front (Service Item Only)
5	106230X	Tire, Front
6	278H	Fitting, Grease (Front Wheel Only)
7	9040H	Bearing, Flange (Front Wheel Only)
8	104757X421	Cap, Axle (Front Wheel Only)
9	105588X	Tire, Rear
10	7154J	Tube, Rear (Service Item Only)
11	124074X421	Rim Assembly, Rear
--	144334	Sealant, Tire (10 oz. Tube)

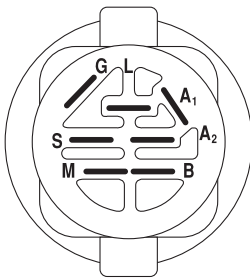
NOTE: All component dimensions given in U.S. inches
1 inch = 25.4 mm

TRACTOR - - MODEL NUMBER PBGT26H54 (96042004004), PRODUCT NO. 960 42 00-40 SCHEMATIC

SCH12



PTO SWITCH
(MATING SIDE)

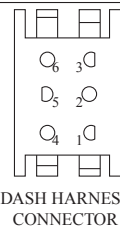


IGNITION SWITCH

POSITION	CIRCUIT	"MAKE"
OFF	M+G+A1	
RUN/OVERRIDE	B+A1	
RUN	B+A1	L+A2
START	B + S + A1	



CHASSIS HARNESS
CONNECTOR
(MATING SIDE)



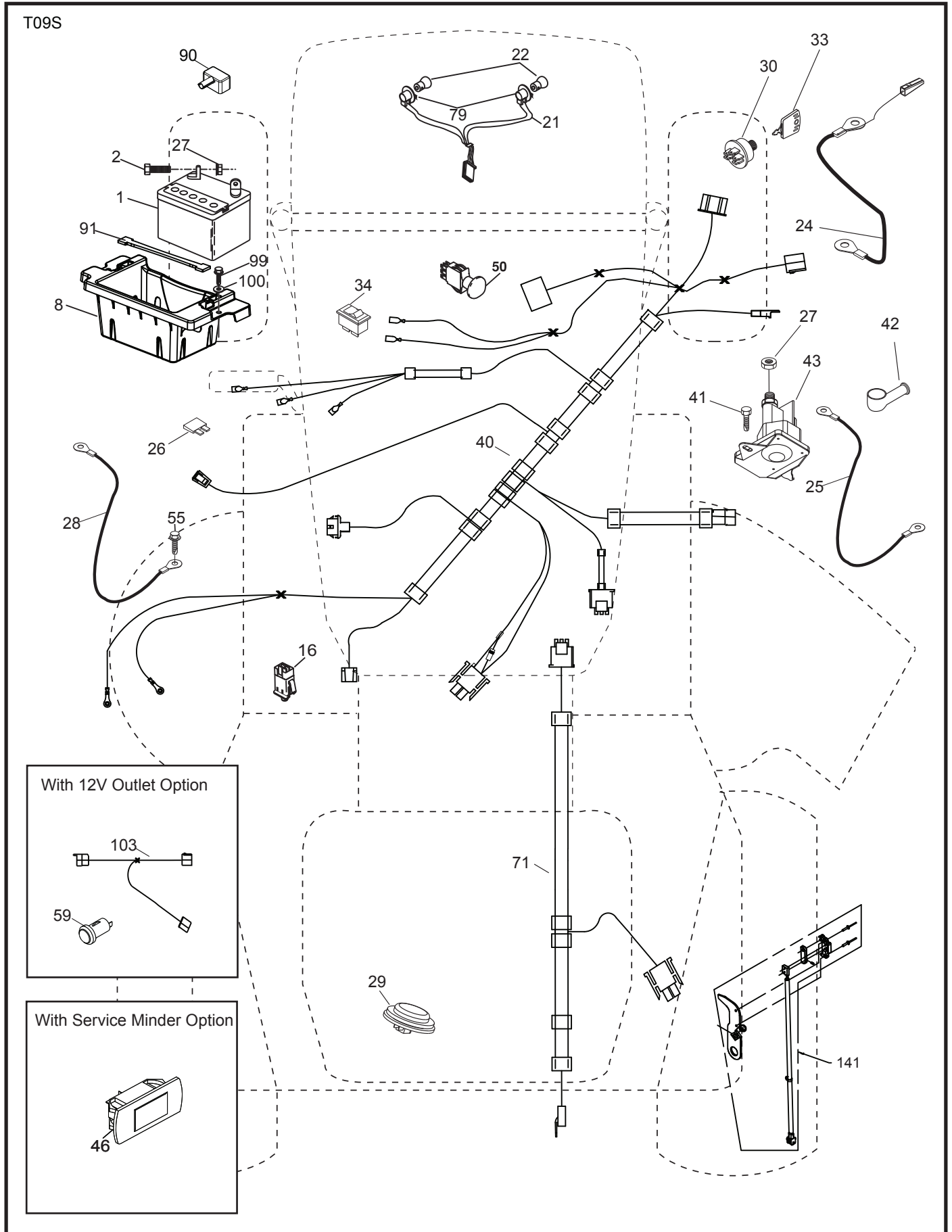
DASH HARNESS
CONNECTOR

WIRING INSULATED CLIPS
NOTE: IF WIRING INSULATED
CLIPS WERE REMOVED FOR
SERVICING OF UNIT, THEY
SHOULD BE RE-INSTALLED TO
PROPERLY SECURE YOUR
WIRING.

●
NON-REMOVABLE
CONNECTIONS

○
REMOVABLE
CONNECTIONS

**TRACTOR -- MODEL NUMBER PBGT26H54 (96042004004), PRODUCT NO. 960 42 00-40
ELECTRICAL**

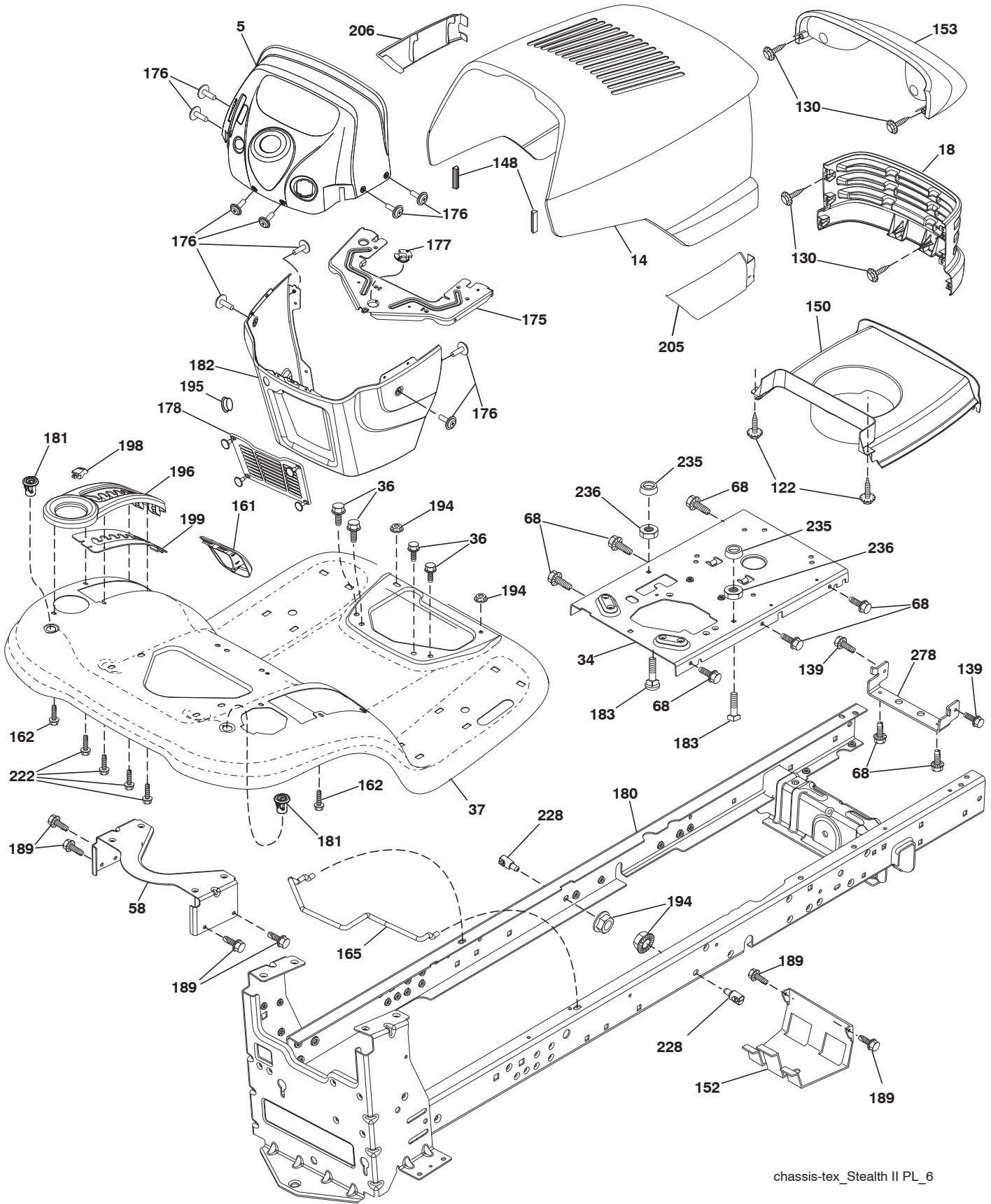


**TRACTOR - - MODEL NUMBER PBGT26H54 (96042004004), PRODUCT NO. 960 42 00-40
ELECTRICAL**

KEY NO.	PART NO.	DESCRIPTION
1	163465	Battery
2	74760412	Bolt Hex Head 1/4-20 x 3/4
8	186491	Box Battery
16	176138	Switch Interlock Push-In
21	175688	Harness Socket Light W/4152J
22	4152J	Bulb Light
24	400253	Cable Battery
25	412895	Cable Start Red 17.5" 6 Ga.
26	175158	Fuse
27	73510400	Nut Keps Hex 1/4-20 unc
28	145491	Cable, Ground
29	401545	Switch, Seat
30	193350	Switch, Ignition
33	411935	Key/Chain
34	110712X	Switch Light / Reset
40	401104	Harness Ign. Dash
41	17720408	Screw Thd Cut 1/4-20 x 1/2
42	131563	Cover, Terminal
43	192507	Solenoid
46	401763	Gauge Hourmeter
50	174653	Switch, PTO
55	17060512	Screw Thdrol 5/16-18 x 3/4 TYTT
71	194276	Harness Ignition, Chassis
79	175242	Bulbholder Asm. Incan Descent
90	400724	Cover Terminal Battery
91	190270	Strap Battery Mount Front
99	17670412	Screw Hexwsh Thdrol 1/4-20 x 3/4
100	19091416	Washer 9/32 x 7/8 x 16 Ga.
141	421225	Kit G700 ROS

NOTE: All component dimensions given in U.S. inches
1 inch = 25.4 mm

**TRACTOR - - MODEL NUMBER PBGT26H54 (96042004004), PRODUCT NO. 960 42 00-40
CHASSIS**



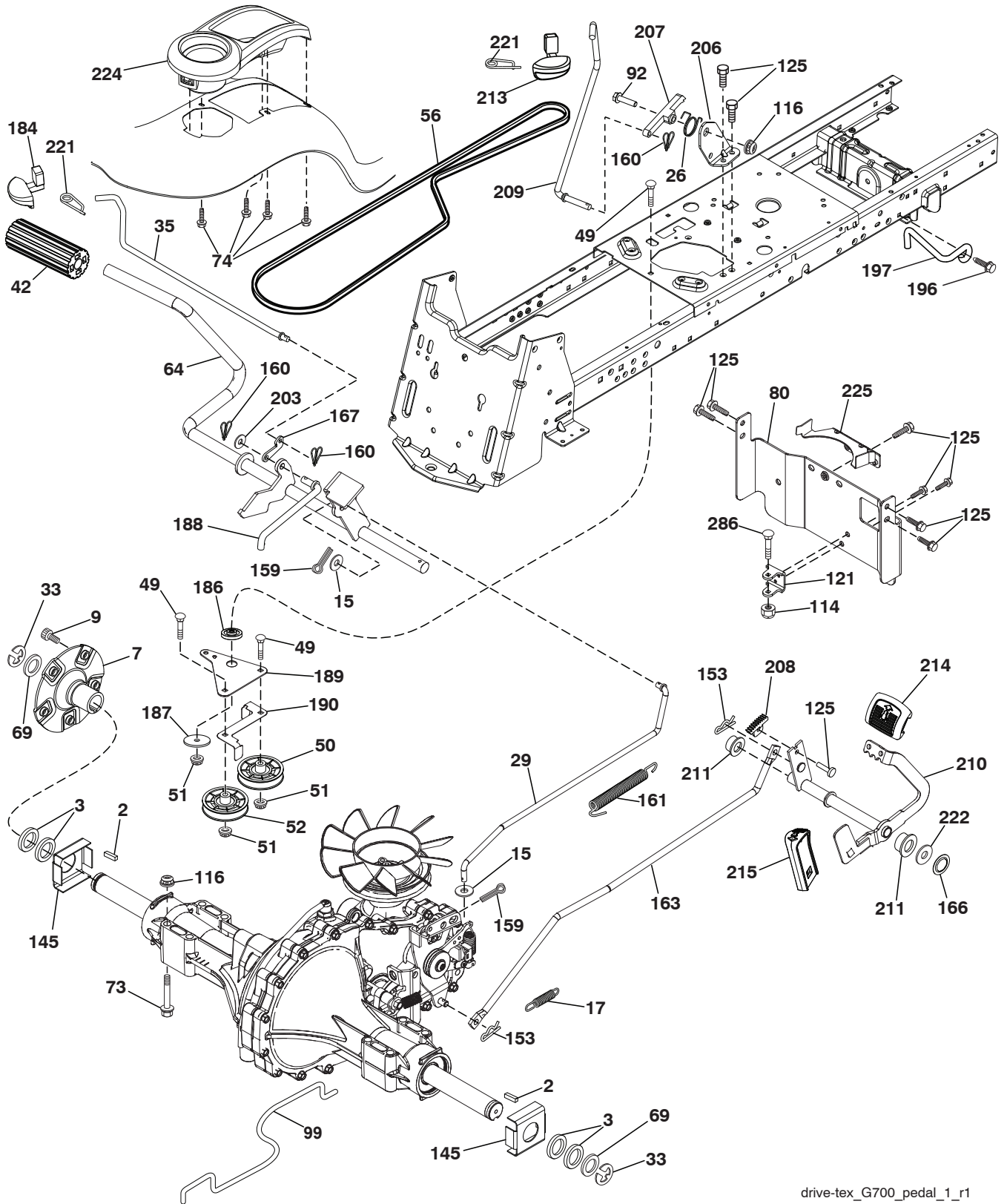
chassis-tex_Stealth II PL_6

**TRACTOR - - MODEL NUMBER PBGT26H54 (96042004004), PRODUCT NO. 960 42 00-40
CHASSIS**

KEY NO.	PART NO.	DESCRIPTION
5	195102X428	Dash
14	175260X428	Hood
18	175289X428	Grille
34	196125	Plate Engine
36	17060512	Screw 5/16-18 x 3/4
37	400009X428	Fender
58	194314	Bracket Fender
68	17490508	Screw Thdrol 5/16-18 x 1/2
122	192512	Screw WSHD Hex 10-32 x 5/8
130	416358	Screw #10 x .750 BOS Thread
139	196539	Bolt Shoulder
148	164655	Bumper
150	175351	Duct Heat Hood
152	199535	Shield Browning/Debris
153	161840	Lens Bar
161	193097X428	Console Fuel Window
162	142432	Screw Hex Wsh Hi-Lo 1/4 x 1/2
165	196826	Bracket Support Tank
175	193236	Crossmember
176	400776	Screw #10-24 x 5/8 Rnd Qudrx
177	195227	Bushing Steering
178	195651	Cargo Asm. Net
180	195477	Chassis
181	193102X428	Bushing Mtg. Fender Crgo.
182	192551	Dash Lower
183	74780520	Bolt Fin Hex 5/16-18 unc x 1-1/4
189	17000512	Screw 5/16-18 x 3/4
194	73900500	Nut Lock Hex Flange 5/16-18
195	401556X428	Plug Hole Dash Lower
196	193098X428	Console Asm. Deck Lift
198	197300X421	Indicator Deck Lift
199	196377	Plate Deck Lift
205	169847X428	Skirt Hood RH
206	169848X428	Skirt Hood LH
222	137729	Screw Thd Roll 1/4-20 x 5/8
228	195161	Stud Fastener
235	406129	Spacer Fender
236	73930500	Nut Center Lock 5/16-18 unc
278	196394	Bracket Pickoff Hood

NOTE: All component dimensions given in U.S. inches
1 inch = 25.4 mm

TRACTOR - - MODEL NUMBER PBGT26H54 (96042004004), PRODUCT NO. 960 42 00-40
DRIVE



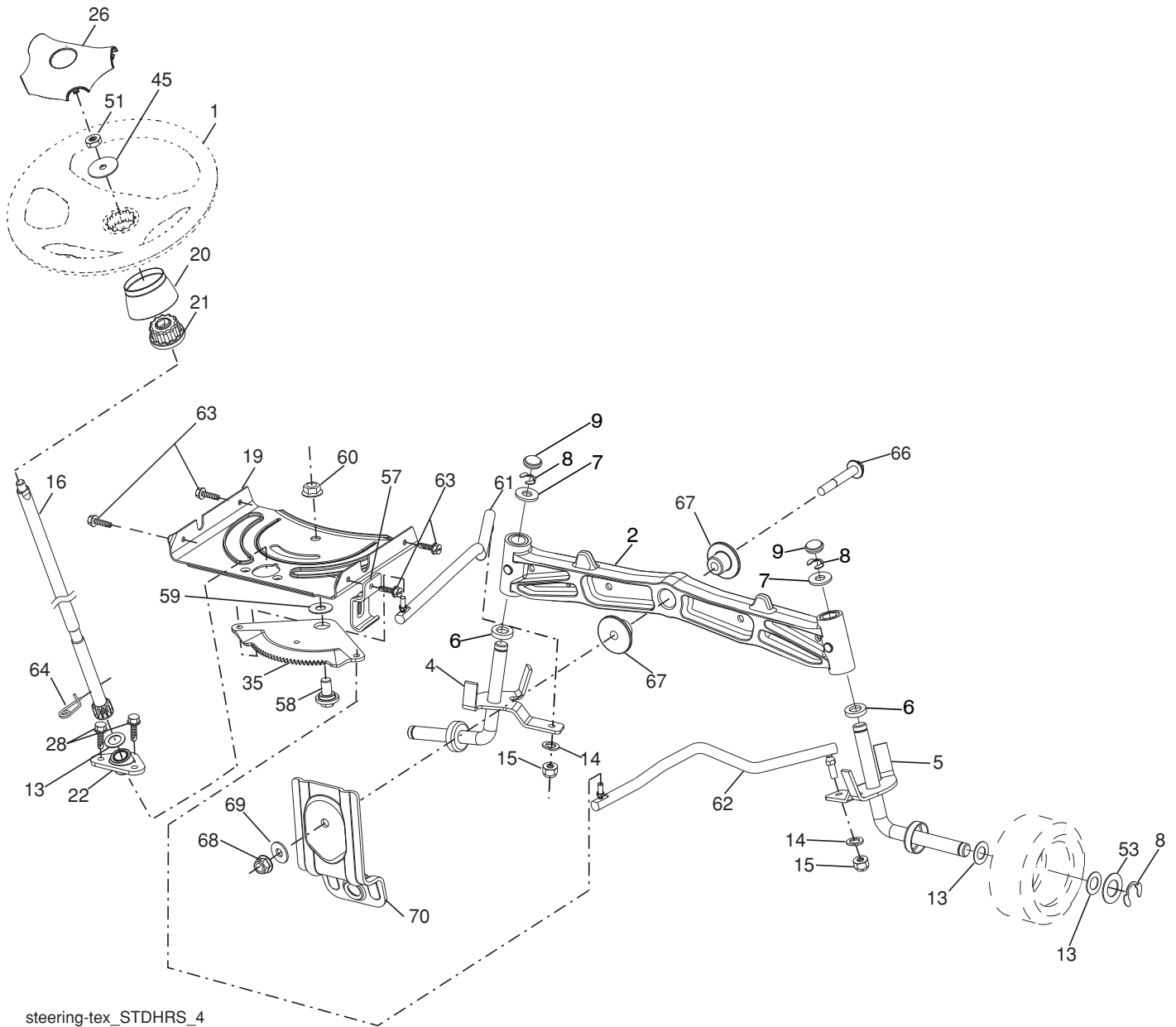
drive-tex_G700_pedal_1_r1

**TRACTOR - - MODEL NUMBER PBGT26H54 (96042004004), PRODUCT NO. 960 42 00-40
DRIVE**

KEY NO.	PART NO.	DESCRIPTION	KEY NO.	PART NO.	DESCRIPTION
1	-----	Transaxle, Hydro G7-BCBB-1XDC-1ECX	161	105709X	Spring, Return, Clutch
2	7070E	Key 1/4 x 2.5	163	418185	Rod Pedal Control
3	7563R	Washer Thrust Axle Hardened	166	197290	Nut Push .625
7	199837	Hub Asm. Wheel	167	405257	Latch Brake Parking
9	140080	Bolt Hub Wheel	184	195361X505	Handle Parking Brake
15	19131316	Washer 13/32 x 13/16 x 16 Ga.	186	194321	Spacer Retainer
17	197296	Spring, Brake	187	19133210	Washer
26	199679	Spring Return Cruise	188	194323	Link Clutch Ground Drive
29	418186	Rod, Brake	189	407504	Bellcrank Ground Drive
33	12000053	Ring E	190	407505	Keeper Bellcrank Ground Drive
35	197275	Rod, Brake, Park	196	17000616	Screw 3/8-16 x 1
42	8883R	Cover, Foot Pedal	197	199769	Bracket Clutch Anti-Rotation
49	72110614	Bolt	203	19111116	Washer 11/32 x 11/16 x 16 Ga.
50	194327	Pulley Idler Flat	206	197867	Bracket Mount Latch Cruise
51	73900600	Lock Nut 3/8-16	207	197868	Latch Control Cruise
52	194326	Idler V-Groove 910" Offset	208	197869	Gear Sector Control Cruise
56	140294	V-Belt, Drive	209	199466	Rod Control Cruise
64	197865	Shaft Asm. Pedal Brake Control	210	197860	Rocker Asm. Pedal Control
69	123800X	Washer 1-1/32 x 1-5/8 x 16 Ga.	211	120183X	Bearing Nylon
73	74490548	Bolt Hex 5/16-18 x 3 Gr. 5	213	195352X428	Knob Control Cruise
74	142432	Screw 1/4 x 1/2	214	197302X428	Pedal Forward
80	418184	Strap Torque	215	197301X428	Pedal Reverse
92	74760520	Bolt 5/16-18 x 1/2	221	403187	Retainer Spring Clip Handle
99	418188	Spring Bypass	222	79212010	Washer 21/32 x 1-1/4 x 10 Ga.
114	73800500	Nut Lock Hex W/Ins. 5/16-18 unc	224	193099X428	Console Toolbox
116	73900500	Nut Lock Hex Flange 5/16-18	225	418187	Keeper Belt T/A
121	175611	Bracket Strap Torque	286	72110522	Bolt 5/16-18 x 2.75
125	17000512	Screw 5/16-18 x 3/4			
145	163168	Washer Axle Flange			
153	4497H	Retainer Spring			
159	76020412	Pin Cotter 1/8 x 3/4			
160	169484	Retainer Clip			

NOTE: All component dimensions given in U.S. inches
1 inch = 25.4 mm

**TRACTOR - - MODEL NUMBER PBGT26H54 (96042004004), PRODUCT NO. 960 42 00-40
STEERING ASSEMBLY**



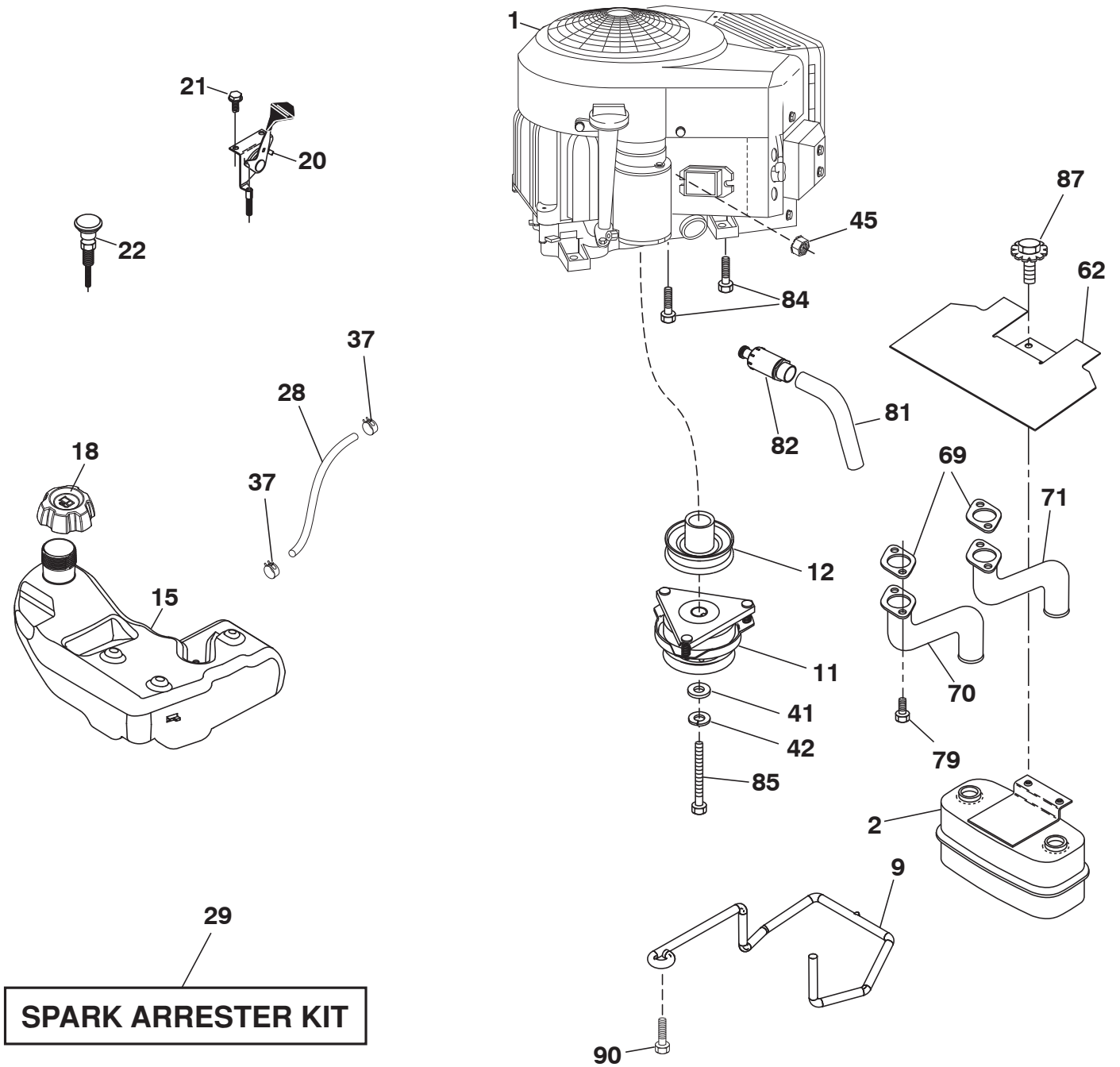
steering-tex_STDHRS_4

**TRACTOR - - MODEL NUMBER PBGT26H54 (96042004004), PRODUCT NO. 960 42 00-40
STEERING ASSEMBLY**

KEY NO.	PART NO.	DESCRIPTION
1	414803X428	Wheel, Steering
2	195968	Axle Asm., Front
4	403089	Spindle Asm., LH
5	403090	Spindle Asm., RH
6	6266H	Bearing, Race Thrust Harden
7	121748X	Washer 25/32 x 1-5/8 x 16 Ga.
8	12000029	Ring, Klip #T5304-75
9	121232X	Cap, Spindle
13	121749X	Washer 25/32 x 1-1/4 x 16 Ga.
14	10040600	Washer, Lock Hvy Hlcl Spr 3/8
15	73540600	Nut, Crown Lock 3/8-24 unf
16	408219	Shaft Steering
19	194729	Plate Steering
20	195626X428	Boot, Steering
21	186737	Adapter, Wheel Steering
22	194845	Bushing, Strg. Blk
26	414854X428	Insert, Wheel Steering
28	17000612	Screw 3/8-16 x 3/4
35	194732	Gear, Sector Plate
45	19183812	Washer 9/16 x 2-3/8 x 12 Ga.
51	73940800	Nut Hex Jam Toplock 1/2-20 unf
53	188967	Washer Hardened .793 x 1.637 x .060
57	197246	Bracket Upstop
58	194747	Bolt Shoulder Sector Pivot CFM
59	194748	Washer Thrust Sector Steering
60	73971000	Nut Flange Lock 5/8-11
61	194740	Draglink LH
62	194741	Draglink, RH
63	17000512	Screw 5/16-18 x 3/4
64	199849	Retainer Clip Spring Steering
66	71020748	Bolt Hex Fghd 7/16-14 x 3 Serr
67	194737	Bushing PM Front Axle
68	73900700	Nut Lock Flange 7/16-14 Gr. 5
69	199162	Washer 1.5 x .505 x .118
70	196197	Bracket Deck Susp. Front

NOTE: All component dimensions given in U.S. inches
1 inch = 25.4 mm

TRACTOR - - MODEL NUMBER PBGT26H54 (96042004004), PRODUCT NO. 960 42 00-40
ENGINE



engine-tex_bs-2cyl_21

**TRACTOR - - MODEL NUMBER PBGT26H54 (96042004004), PRODUCT NO. 960 42 00-40
ENGINE**

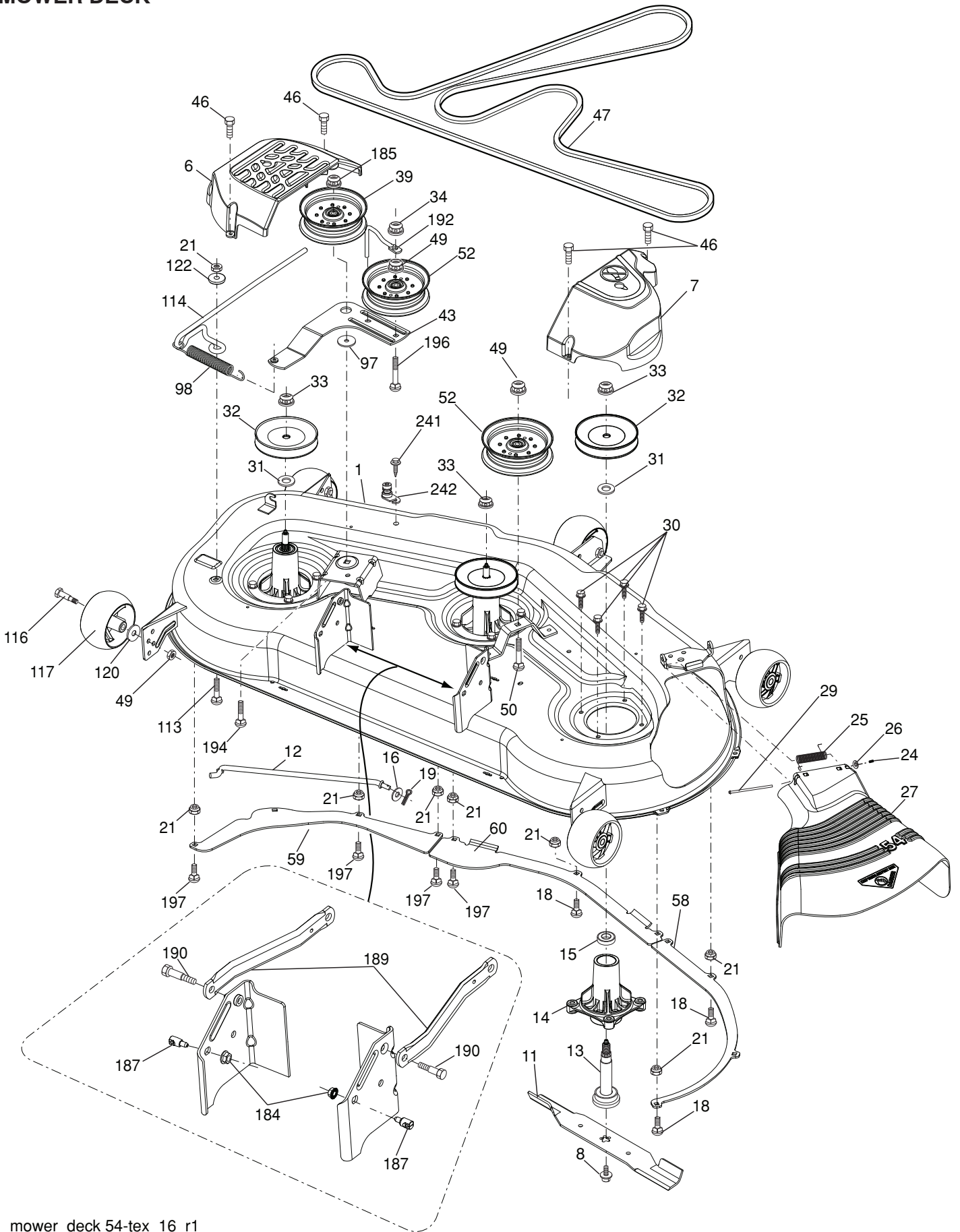
KEY NO.	PART NO.	DESCRIPTION
1	-----	Engine B&S Model No. 445877-0760-B1
2	149723	Muffler
9	408667	Keeper Belt Engine
11	179335	Clutch Electric
12	194343	Pulley Engine
15	193499	Tank Fuel 4.0
18	195951	Cap Asm
20	175437X421	Control Throttle
21	416358	Screw #10 x .750 BOS Thread
22	187767X428	Control Choke
28	401135	Fuel Line
29	137180	Spark Arrester Kit
37	123487X	Clamp Hose
41	126197X	Washer 1-1/2 OD x 15/32 ID x .250
42	10040700	Washer Lock 7/16
45	73510400	Nut Keps Hex 1/4-20 unc
62	146629	Shield Heat Muffler
69	165391	Gasket
70	159955	Tube Exhaust LH
71	160589	Tube Exhaust RH
79	183906	Screw Socket Head
81	148456	Tube Drain Oil Easy
82	181654	Plug Drain Oil
84	17060620	Screw 3/8-16 x 1-1/4
85	179953	Bolt Hex 7/16-20 x 3.75 Gr. 5
87	198239	Bolt 5/16-18 unc x 1 w/Sems
90	17000616	Screw 3/8-16 x 1

NOTE: All component dimensions given in U.S. inches
1 inch = 25.4 mm

Engine Power Rating Information

The gross power rating for individual gas engine models is labeled in accordance with SAE (Society of Automotive Engineers) code J11940 (Small Engine Power & Torque Rating Procedure), and rating performance has been obtained and corrected in accordance with SAE J1995 (Revision 2002-5). Actual gross engine power will be lower and is affected by, among other things, ambient operating conditions and engine-to-engine variability. Given both the wide array of products on which engines are placed and the variety of environmental issues applicable to operating the equipment, the gas engine will not develop the rated gross power when used in a given piece of power equipment (actual "on-site" or net horsepower). This difference is due to a variety of factors including, but not limited to, accessories (air cleaner, exhaust, charging, cooling, carburetor, fuel pump, etc.), application limitations, ambient operating conditions (temperature, humidity, altitude), and engine-to-engine variability. Due to manufacturing and capacity limitations, Briggs & Stratton may substitute an engine of higher rated power for this Series engine.

TRACTOR - - MODEL NUMBER PBGT26H54 (96042004004), PRODUCT NO. 960 42 00-40
MOWER DECK



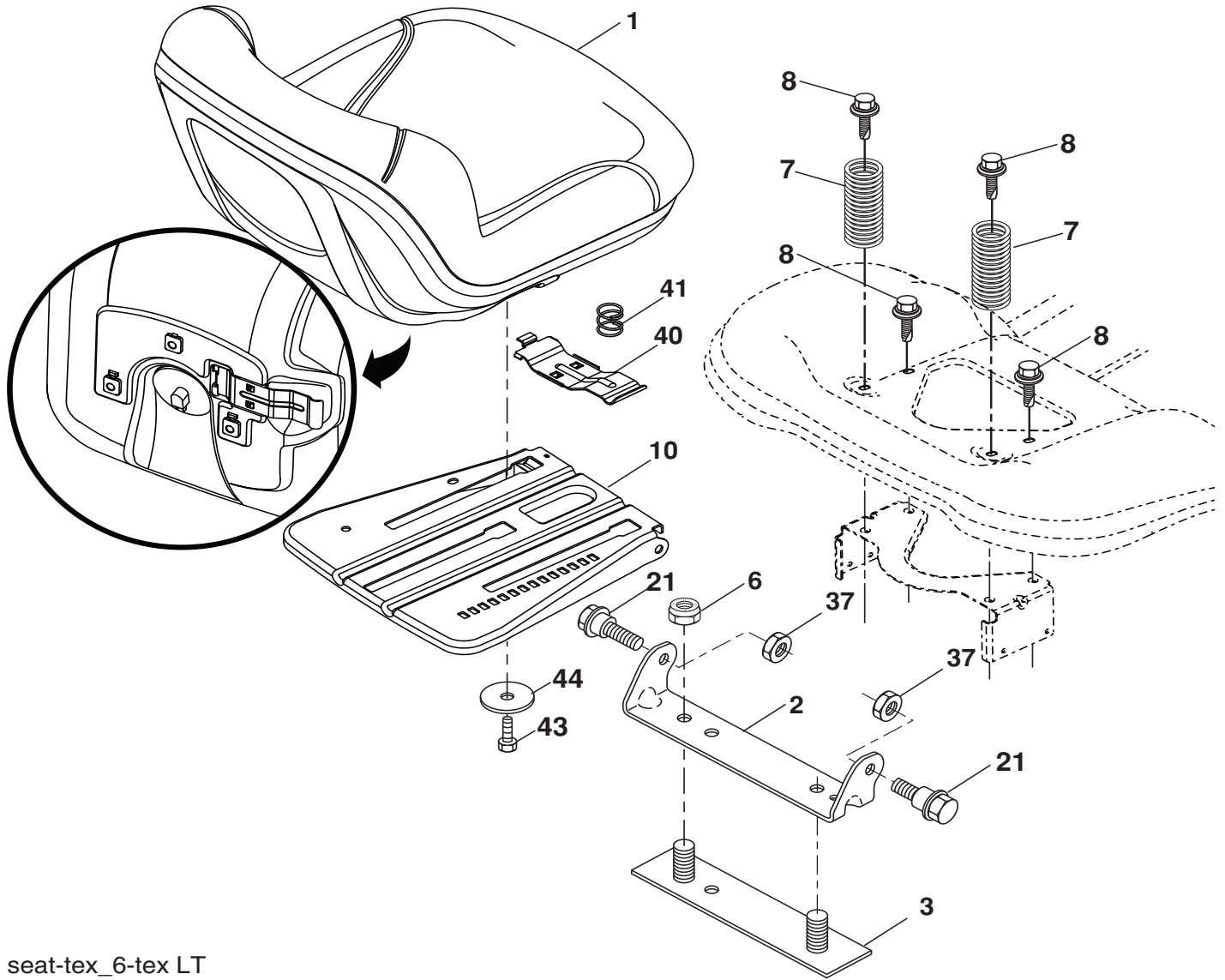
mower_deck 54-tex_16_r1

**TRACTOR - - MODEL NUMBER PBGT26H54 (96042004004), PRODUCT NO. 960 42 00-40
MOWER DECK**

KEY NO.	PART NO.	DESCRIPTION	KEY NO.	PART NO.	DESCRIPTION
1	195632X421	Deck Weldment Mower	52	197379	Pulley Idler 4.50
6	196066	Cover Mandrel LH	58	187342	Baffle Right
7	197181	Cover Mandrel RH	59	187344	Baffle Left
8	193003	Bolt 7/16 Asm. Blade	60	187607	Baffle Center
11	187256	Blade Bagging	97	178515	Washer Hardened
12	400337	Rod Anti-Sway	98	196105	Spring Drive
13	187291	Shaft Asm. w/Lower Bearing	113	72110508	Bolt Rdhd Sqnk 5/16-18 x 3/4
14	187281	Housing, Mandrel	114	187556	Rod Tension Relief
15	110485X	Bearing, Ball, Mandrel	116	193406	Bolt, Shoulder
16	19131312	Washer 13/32 x 13/16 x 12 Ga.	117	174873	Gauge Wheel
18	72140505	Bolt Carr. 5/16-18 x 5/8	120	19132012	Washer 13/32 x 1-1/4 x 12 Ga.
19	194208	Pin Cotter 5/16 Bow Tie Lock	122	187557	Bushing Tension Relief
21	73680500	Nut, Crownlock 5/16-18 unc	185	73900700	Nut Lock Flange 7/16-14 Gr. 5
24	105304X	Cap Sleeve	187	195161	Stud Fastener w/"D" Anti-Rotation
25	178102	Spring, Torsion	188	73900500	Nut Lock Hex Flange 5/16-18
26	110452X	Nut, Push	189	195185	Arm Susp. Mower Rear
27	187257X428	Deflector Shield	190	196539	Bolt Shoulder
29	131491	Rod, Hinge	192	198468	Keeper Belt Idler
30	173984	Screw, Thdroll Washer Head	194	72140716	Bolt Carr Sqnk 3/8-16 x 2-1/4
31	187690	Washer, Spacer Mower Vented	195	72140620	Bolt Rdhd 3/8-16 unc x 2-3/4 Gr. 5
32	153535	Pulley, Mandrel	241	415598	Port Washout
33	400234	Nut, Flg. Top Lock	242	152927	Screw TT #10-32.5 3/8 FLG
34	73680600	Nut Crownlock 3/8-16 unc	--	187292	Mandrel Asm. Service (Includes Key Nos. 13-15 and 33)
39	197380	Pulley, Idler, Stationary	--	418076	Replacement Mower, Complete
43	196065	Arm, Idler			
46	137729	Screw, Thdroll. 1/4-20 x 5/8			
47	196103	V-Belt, Mower			
49	73900600	Nut, Lock Flg. 3/8-16 unc			
50	72110616	Bolt Rdhd Sqnk 3/8-16 unc x 2			

NOTE: All component dimensions given in U.S. inches
1 inch = 25.4 mm

**TRACTOR - - MODEL NUMBER PBGT26H54 (96042004004), PRODUCT NO. 960 42 00-40
SEAT ASSEMBLY**



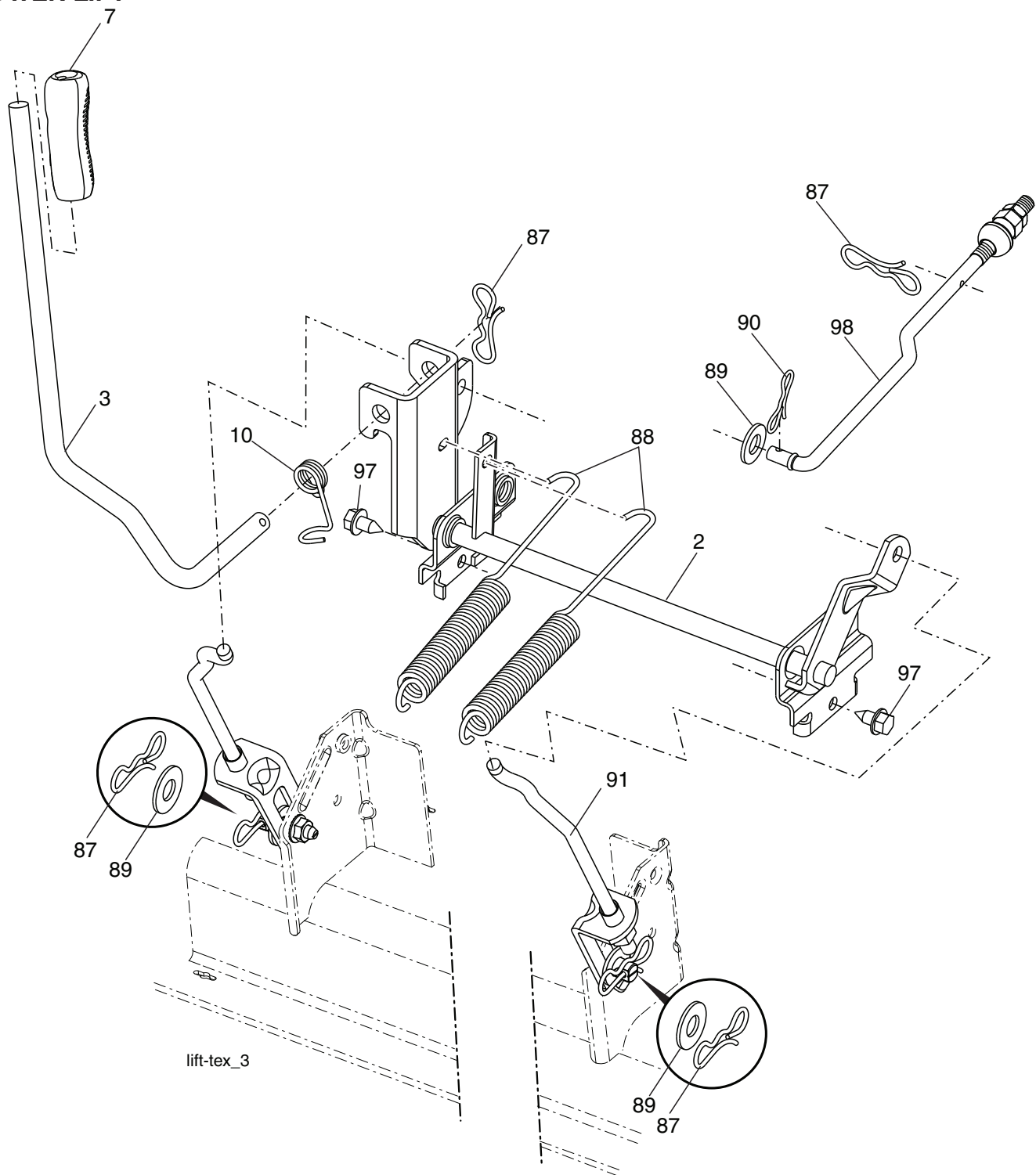
seat-tex_6-tex LT

KEY NO.	PART NO.	DESCRIPTION
1	406623	Seat
2	180166	Bracket Pivot Fender
3	140675	Strap, Asm Fender
6	73800600	Nut, Lock W/Ins. 3/8-16 unc
7	124181X	Spring, Seat Cprsn
8	171877	Bolt 5/16-18 unc x 3/4 w/Sems
10	196977	Pan, Seat
21	171852	Bolt, Shoulder 5/16-18

KEY NO.	PART NO.	DESCRIPTION
37	73800500	Nut, Lock 5/16-18 unc
40	197661	Handle Slide Seat
41	198200	Spring Latch Seat
43	74760612	Bolt Fin Hex 3/8-16 unc x 3/4
44	19133812	Washer 13/32 x 2-3/8 x 12 Ga.

NOTE: All component dimensions given in U.S. inches
1 inch = 25.4 mm

**TRACTOR - - MODEL NUMBER PBGT26H54 (96042004004), PRODUCT NO. 960 42 00-40
MOWER LIFT**



KEY NO.	PART NO.	DESCRIPTION
2	195223	Shaft Asm., Lift
3	195230	Lever Asm., Lift RH
7	196492X421	Grip, Lever
10	196314	Spring Torsion
87	194209	Pin Cotter 7/16 Bow Tie Lock
88	195304	Spring Lift Assist
89	19191912	Washer Clear Zinc
90	194208	Pin Cotter 5/16 Bow Tie Lock

KEY NO.	PART NO.	DESCRIPTION
91	403407	Link Lift Susp Mower Rear
97	17000612	Screw 3/8-16 x .75
98	195264	Link Lift Susp. Front Mower

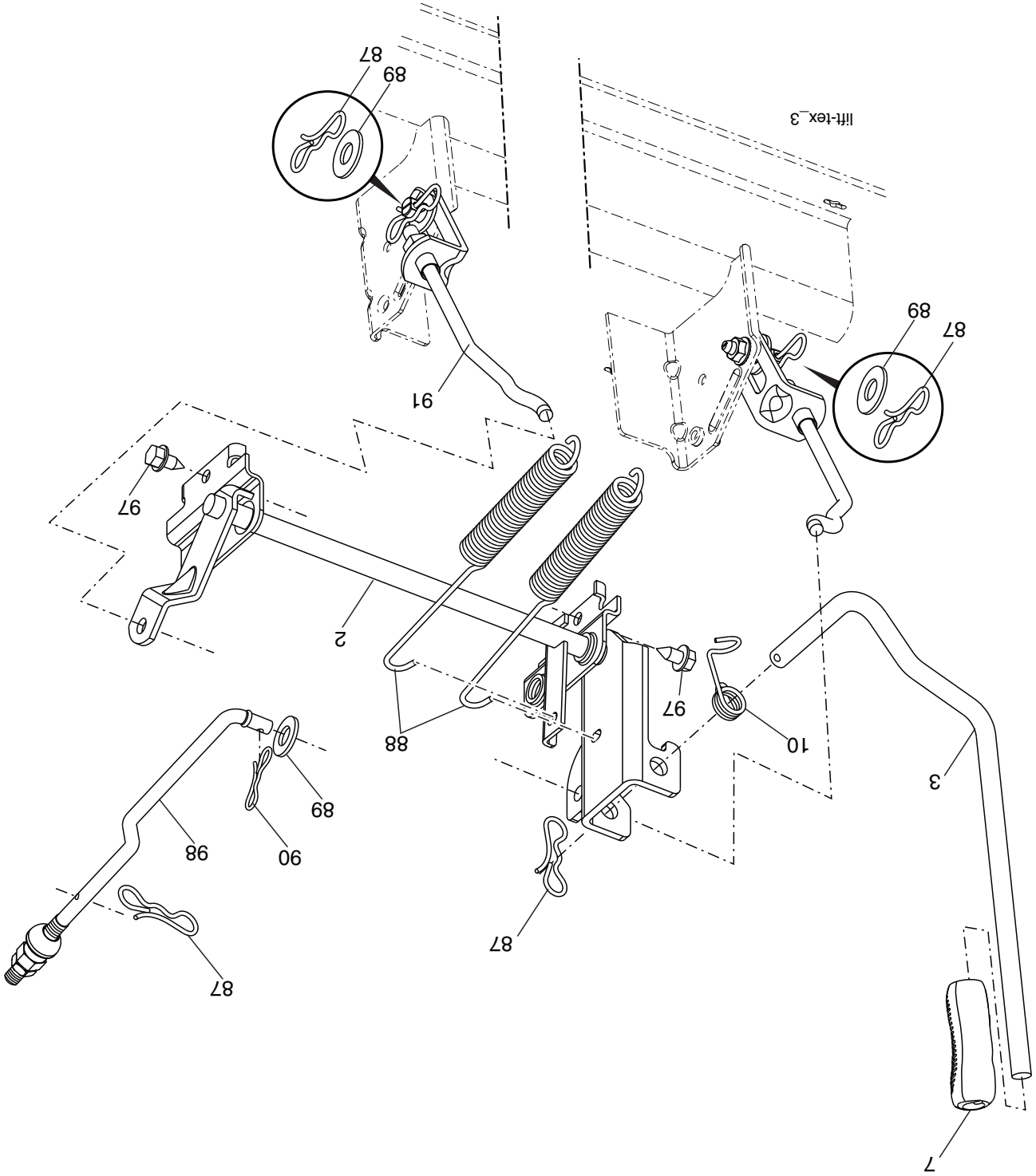
NOTE: All component dimensions given in U.S. inches
1 inch = 25.4 mm

Poulan PRO

Poulan PRO

TRACTEUR - NO. DE MODELE PBGT26H54 (96042004004), NO. DE PRODUIT 960 42 00-40

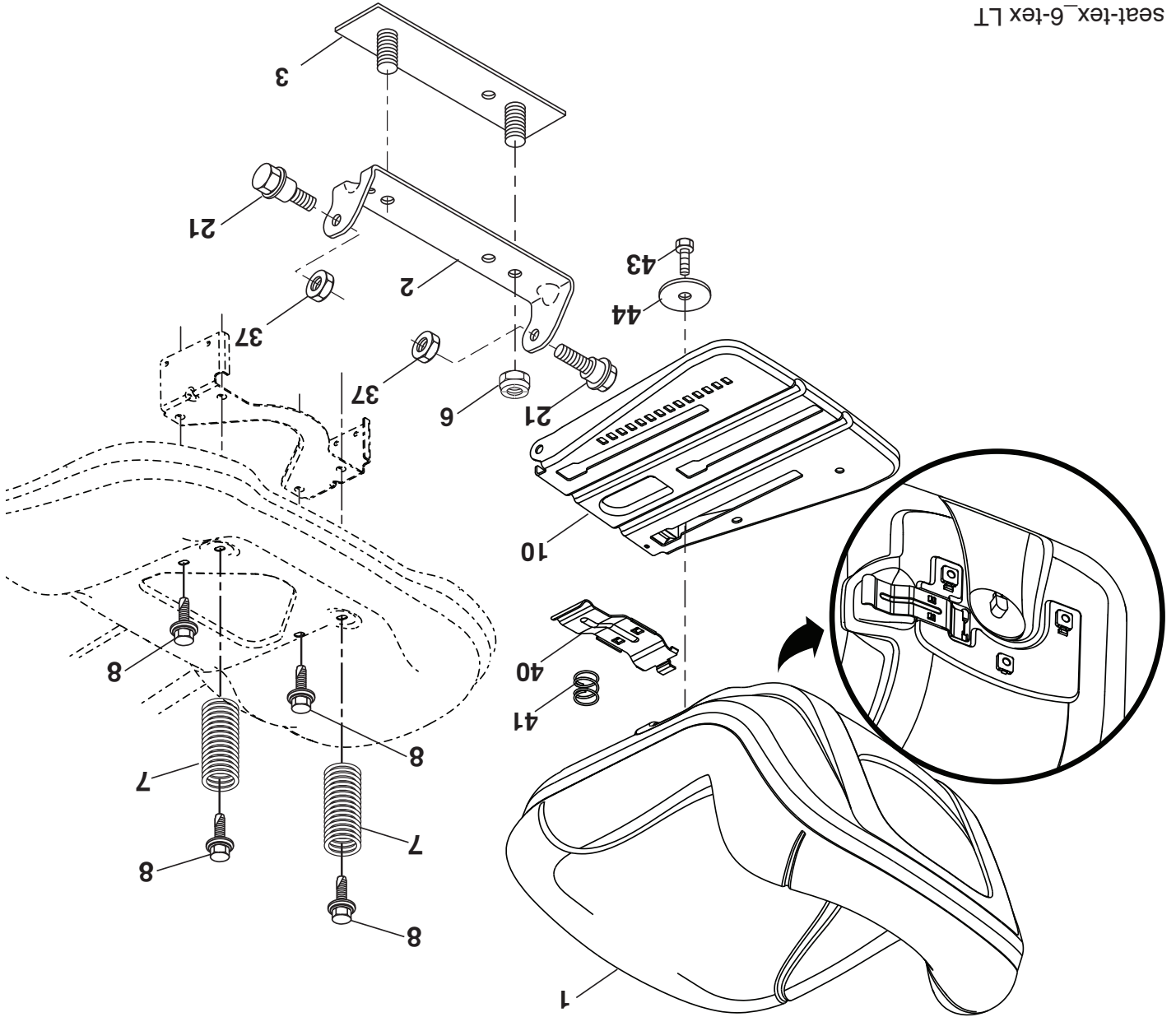
LEVAGE DE TONDEUSE



NO.	DE	PIECE	DESCRIPTION
2	195223	Ensemble de l'arbre de levage C.D.	
3	195230	Ensemble de l'arbre de levage C.D.	
7	196492X421	Poignée cannelée du levier	
10	196314	Ressort de Torsion	
87	194209	Goupille fendue 7/16	
88	195304	Ressort de retenue	
89	19191912	Rondelle	
90	194208	Goupille fendue 5/16	
91	403407	Raccord de levage	
97	1700612	Vis 3/8-16 x .75	
98	195740	Raccord de levage	

REMARQUE: Toutes les dimensions de composant sont données en pouces E.-U. --1 pouce = 25,4 mm.

NO.	DE	PIECE	DESCRIPTION
2	195223	Ensemble de l'arbre de levage C.D.	
3	195230	Ensemble de l'arbre de levage C.D.	
7	196492X421	Poignée cannelée du levier	
10	196314	Ressort de Torsion	
87	194209	Goupille fendue 7/16	
88	195304	Ressort de retenue	
89	19191912	Rondelle	



NO.	DÉ	PIÈCE	DESCRIPTION
1	406623	Siège	Siège
2	180166	Support de pivot	Support de pivot
3	140675	Attache de l'ensemble de l'aile	Attache de l'ensemble de l'aile
6	73800600	Ecroû frein H avec insert 3/8-16 unc	Ecroû frein H avec insert 3/8-16 unc
7	124181X	Ressort de compression du siège	Ressort de compression du siège
8	171877	Boulon 5/16-18 unc x 3/4	Boulon 5/16-18 unc x 3/4
10	196977	Cuvette du siège	Cuvette du siège
21	171852	Boulon à épaulement 5/16-18	Boulon à épaulement 5/16-18

NO.	DÉ	PIÈCE	DESCRIPTION
37	73800600	Ecroû frein 5/16-18 unc	Ecroû frein 5/16-18 unc
40	197661	Guidon	Guidon
41	198200	Ressort de compression	Ressort de compression
43	74760612	Boulon 3/8-16 x 3/4	Boulon 3/8-16 x 3/4
44	19133812	Rondelle 13/32 x 2-3/8 x 12 ja.	Rondelle 13/32 x 2-3/8 x 12 ja.

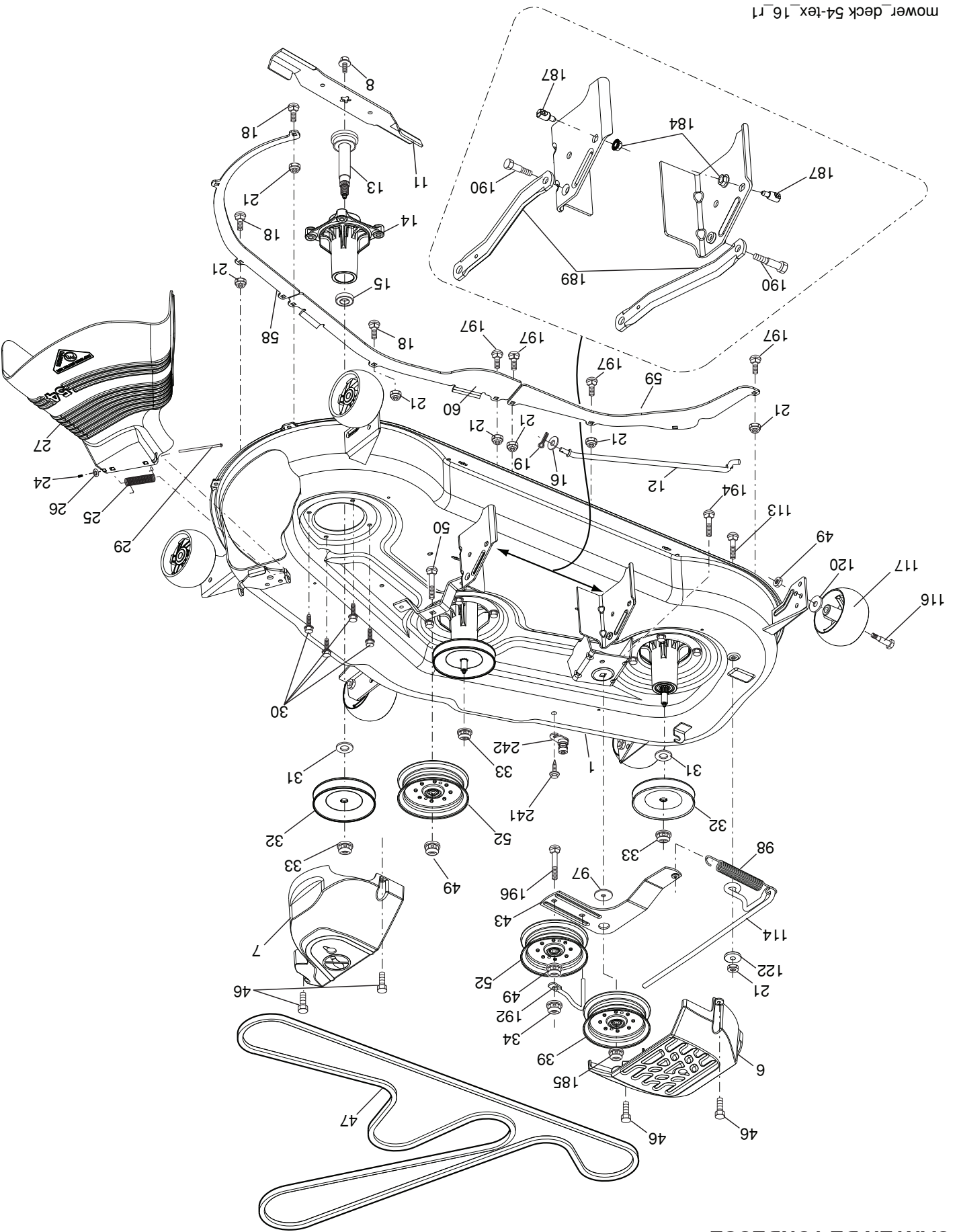
REMARQUE: Toutes les dimensions de composant sont données en pouces E.-U. --1 pouce = 25,4 mm

TRACTEUR - NO. DE MODÈLE PBGT26H54 (96042004004), NO. DE PRODUIT 960 42 00-40
CARTER DE TONDEUSE

NO.	DE	RÉF.	PIÈCE	DESCRIPTION
1		195632		Ensemble du carter
6		196066		Couvercle de mandrin C.G.
7		197181		Couvercle de mandrin C.D.
8		193003		Boulon 7/16
11		187256		Lame pour bourrage
12		400337		Tige
13		187291		Ensemble de l'arbre
14		187281		Carter du mandrin
15		110485X		Roulement à billes
16		19131312		Rondelle 13/32 x 13/16 x 12Ga.
18		72140505		Boulon 5/16-18 x 5/8
19		194208		Goupille Serrure 5/16
21		73680500		Écrou 5/16-18 unc
24		105304X		Chapeau de manchon
25		178102		Ressort de torsion
26		110452X		Écrou
27		187257X428		Défecteur de décharge
29		131491		Tige de charnière
30		173984		Vis H
31		187690		Rondelle
32		153535		Pouille de mandrin
33		400234		Écrou
34		73680600		Écrou frein 3/8-16 unc
39		197380		Pouille du galet-tendeur C.G.
43		196065		Bras du galet-tendeur
46		137729		Vis 1/4-20 x 5/8
47		196103		Courroie d'entraînement
49		73900600		Écrou frein 3/8-16 unc
50		72110616		Boulon 3/8-16 unc x 2
52		197379		Pouille du galet-tendeur 4.50
NO.	DE	RÉF.	PIÈCE	DESCRIPTION
58		187342		Chicane C.D.
59		187344		Chicane C.G.
60		187607		Chicane Centrale
97		178515		Rondelle
98		196105		Ressort de retenue
113		72110508		Boulon 5/16-18 x 3/4
114		187556		Tige
116		193406		Boulon
117		1874873		Support des roues
120		19132012		Rondelle 13/32 x 1-1/4 x 12 Ja.
122		187557		Douille
185		73900700		Écrou frein 7/16-14 Cat. 5
187		195161		Ténon
188		73900500		Écrou frein H
189		195185		Bras de suspension arrière
190		196539		Boulon
192		198468		Guide-courroie
194		72140716		Boulon 3/8-16 x 2-1/4
195		72140620		Boulon 3/8-16 unc x 2-3/4 Cat. 5
241		415598		Raccord de lavage
242		152927		Vis #10-32.5 3/8
--		187292		Ensemble de mandrin (Y compris les nos. de réf. 13-15 et 33)
--		418076		Ensemble du carter de tondeuse complet

REMARQUE: Toutes les dimensions de composant sont données en pouces E.-U. -- 1 pouce = 25,4 mm.

TRACTEUR - NO. DE MODÈLE PBGT26H54 (96042004004), NO. DE PRODUIT 960 42 00-40
 CARTER DE TONDEUSE



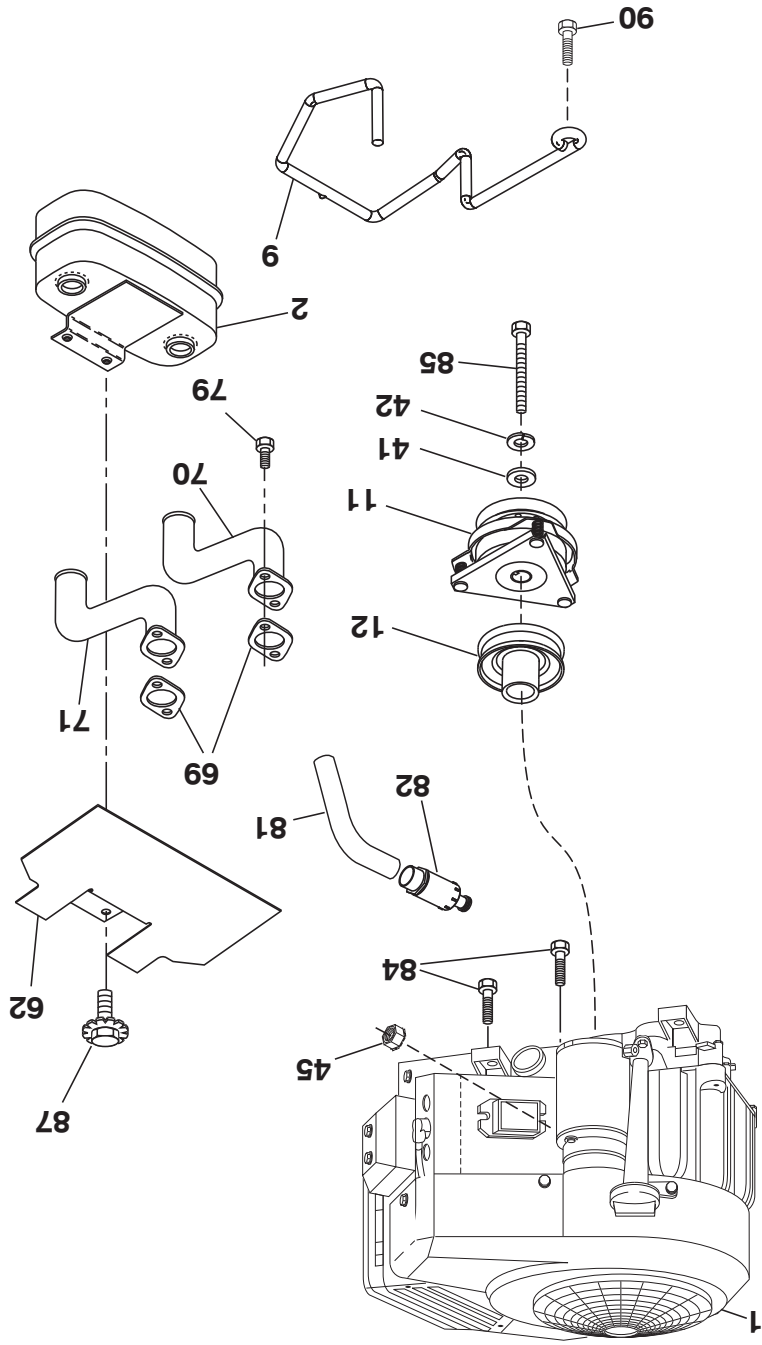
mower_deck 54-tex_16 r1

NO. DE REF.	NO. DE PIECE	DESCRIPTION
1	----	Moteur Briggs-No. de modèle 445877-0760-B1 (Commandez les pièces par suite du fabricant du moteur)
2	149723	Silencieux
9	408667	Courroie du moteur
11	179335	Embrayage électrique
12	194343	Pouille
15	193499	Réservoir d'essence
18	195951	Chapeau
20	175437X421	Commande des gaz
21	416358	Vis H #10 x .750
22	187767X428	Commande du starter
28	401135	Conduite d'essence
29	137180	Jeu de pare - étincelles
37	123487X	Bride de serrage de tuyau
41	126197X	Rondelle 1-1/2 OD x 15/32 ID x .250
42	10040700	Rondelle trein 7/16
45	73510400	Ecroû H 1/4-20 unc
62	146629	Défecteur de débris
69	165391	Garniture de silencieux
70	176067	Tube C.G.
71	160589	Tube C.D.
79	183906	Vis 5/16-18 x 1
81	148456	Tube de vidange d'huile
82	181654	Bouchon
84	17060620	Vis 3/8-16 x 1/4
85	179953	Boulon 7/16-20 x 20 x 3.75 Gr.5
87	198239	Boulon 5/16-18 unc x 1 avec sems
90	17000616	Vis 3/8-16 x 1

REMARQUE: Toutes les dimensions de composant sont données en pouces E.-U. --1 pouce = 25,4 mm

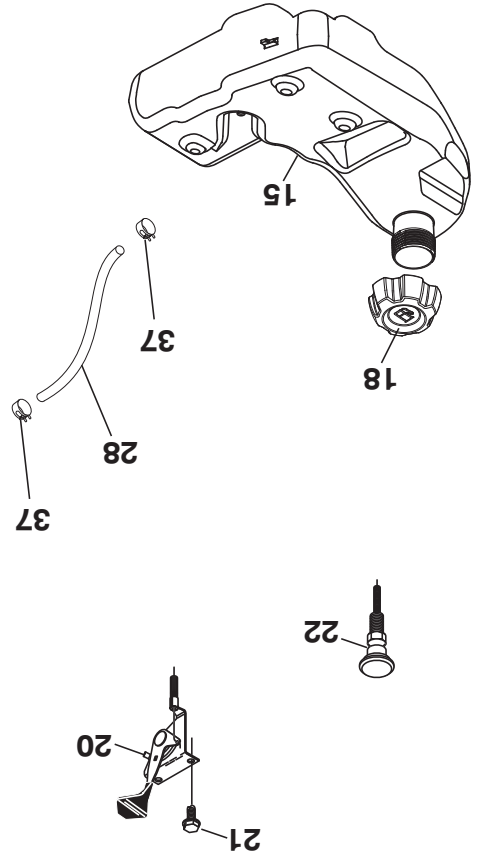
L'information de Classement de Pouvoir de moteur

Le pouvoir brut évaluant pour les modèles de moteur de gaz individuels est conformément étiqueté à SAE (la Société d'Ingénieurs Automoteurs) le code J1 1940 (le Petit Pouvoir de Moteur & le Moment de torsion Evaluant la Procédure), et l'exécution de classement a été obtenue et a été corrigée conformément à SAE J1 995 (la Révision 2002-5). Le véritable pouvoir de moteur brut sera plus et est affecté par, entre autres choses, les conditions d'opération ambiantes et le moteur-à-la-variabilité de moteur. Donné les deux le tableau large de produits sur lesquels moteurs est placé et la variété de problèmes écologiques applicables à l'opération de l'équipement, le moteur de gaz ne développera pas le pouvoir de grosse évalué quand utilisé dans un morceau donné d'équipement de pouvoir (la puissance véritable, « sur place » ou nette). Cette différence est en raison d'une assortiment de facteurs inclut, mais pas limité à, les accessoires (le nettoyeur d'air, l'échappement, charge, le refroidissement, le carburateur, la pompe de carburant, etc.), les limitations d'application, les conditions d'opération ambiantes (la température, l'humidité, l'altitude), et le moteur-à-la-variabilité de moteur. En raison des limitations de fabrication et capacité, Briggs & Stratton peut substituer un moteur de plus haut pouvoir évalué pour ce moteur de Feuilleton.



EQUIPMENT FACULTATIF
PARA-ÉTINCELLES

29



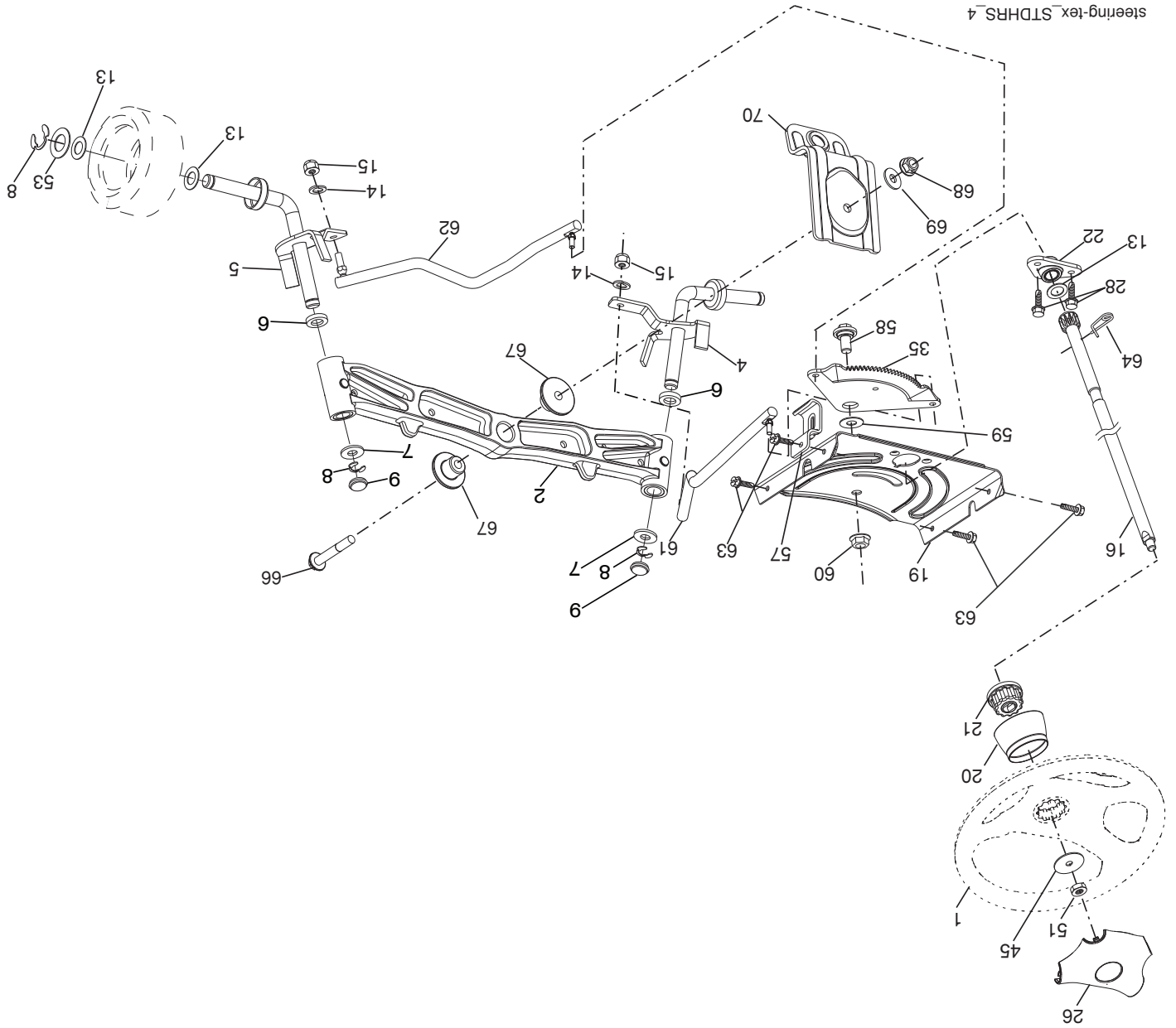
engine-tex_bs-2cyl_21

TRACTEUR - NO. DE MODÈLE PBGT26H54 (96042004004), NO. DE PRODUIT 960 42 00-40
ENSEMBLE DE LA DIRECTION

NO.	DE	REF.	PIECE	DESCRIPTION
1		414803X428		Volant de direction
2		195968		Essieu
4		403089		Ensemble de la broche C.G.
5		403090		Ensemble de la broche C.D.
6		6266H		Pallier de butée durci
7		121748X		Rondelle 25/32 x 1-5/8 x 16 Ja.
8		12000029		Rondelle clip n°15304-75
9		121232X		Chapeau de broche
13		121749X		Rondelle 25/32 x 1-1/4 x 16 Ja.
14		10040600		Rondelle frein 3/8
15		73540600		Ecrou frein 3/8-24 unt
16		408219		Arbre de direction
19		194729		Arbre de plaque
20		195626X428		Initialisation de direction
21		186737		Adaptateur du volant de direction
22		194845		Douille de direction
26		414854X428		Insert de chapeau du volant de direction
28		17000612		Vis 3/8-16 x 3/4
35		194732		Secteur denté
45		19183812		Rondelle 9/16 x 2-3/8 x 12 Ja.
51		73940800		Contre-écrou 1/2-20 unt
53		188967		Rondelle .793 x 1.637 x .060
57		197246		Support
58		194747		Boulin à épuatement
59		194748		Rondelle
60		73971000		Ecrou frein à collet 5/8-11
61		194740		Barre de direction C.G.
62		194741		Barre de direction C.D.
63		17000512		Vis 5/16-18 x 3/4
64		199849		Collier de retenue
66		71020748		Boulin H 7/16-14 x 3
67		194737		Douille
68		73900700		Ecrou frein à collet 7/16-14 Cat. 5
69		199162		Rondelle 1.5 x .505 x .118
70		196197		Support

REMARQUE: Toutes les dimensions de composant sont données en pouces E.-U. -- 1 pouce = 25,4 mm

TRACTEUR - NO. DE MODÈLE PBGT26H54 (96042004004), NO. DE PRODUIT 960 42 00-40
ENSEMBLE DE LA DIRECTION



TRACTEUR - NO. DE MODELE PBGT26H54 (96042004004), NO. DE PRODUIT 960 42 00-40

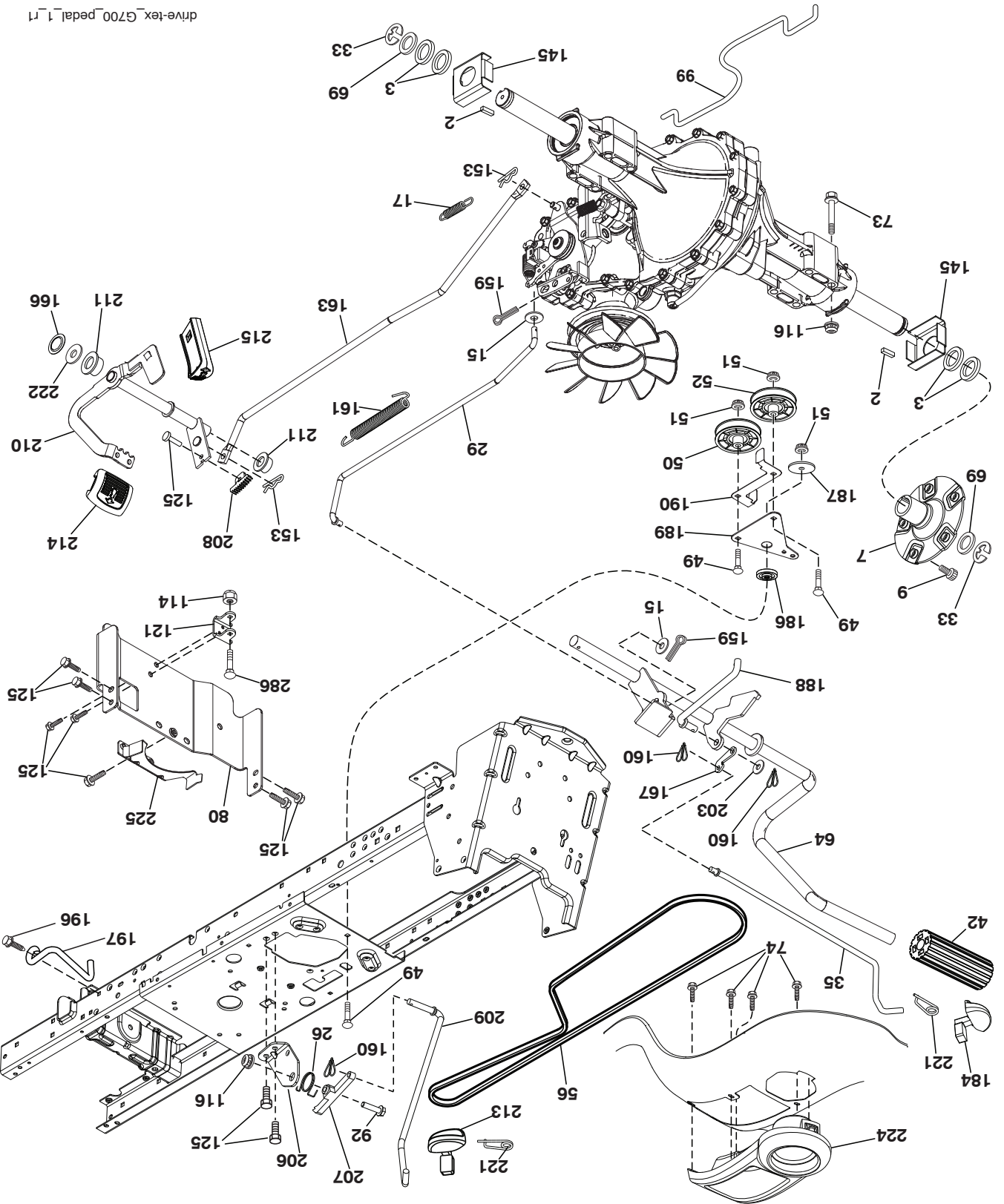
ENTRAÎNEMENT

NO. DE DÉ	PIECE	DESCRIPTION	NO. DE DÉ	PIECE	DESCRIPTION
1	----	Transmission, Hydro G7BCBB-1XDC-	160	169484	Collier de retenue
2	7070E	Cle	161	105709X	Ressort de rappel d'embrayage
3	7563R	Rondelle endurcie	166	197290	Rondelle Frein .625
7	199837	Assemblée De Moyeu De Roue	167	405257	Loquet
9	140080	Boulon De Moyeu De Roue	184	195361X505	Guidon
15	19131316	Rondelle 13/32 x 13/16 x 16 Ga.	186	194321	Ressort de retenue
17	197296	Ressort De Frein	187	19133210	Rondelle
26	199679	Ressort de rappel	188	194323	Raccord d'embrayage
29	418186	Tige du frein	189	407504	Levier coudé
33	12000053	Bague en E	190	407505	Guide
35	197275	Tige du frein de stationnement	196	17000616	Vis 3/8-16 x 1
42	8883R	Couverture de la pédale	197	199769	Support
49	72110614	Boulon	203	19111116	Rondelle 11/32 x 11/16 x 16
50	194327	Poulie du galet-tendeur	206	197867	Support
51	73900600	Ecrou frein 3/8-16	207	197868	Loquet
52	194326	Galet-tendeur	208	197869	Secteur denté
56	140294	Courroie trapézoïdale	209	199466	Tige
64	197865	Ensemble de l'arbre	210	197860	Culbuteur
69	123800X	Rondelle 1 1/32 x 1 5/8 x 16 Ga.	211	120183X	Falier de nylon
73	7449048	Boulon Hex Flghd 5/16-18 Gr. 5	213	195352X428	Boulon
74	142432	Vis 1/4 x 1/2	214	197302X428	Pédale en avant
80	418184	Bande	215	193301X428	Pédale contraire
92	74760520	Boulon H 5/16-18 unc x 1.25	221	403187	Collier de retenue
99	418188	Ressort De pontage	222	79212010	Rondell 21/32 x 1-1/4 x 10 Ja.
114	73800500	Écrou frein 5/16-18 unc	224	193099X428	Console de boîte à outils
116	73900500	Ecrou frein H 5/16-18	225	418187	Guide-courroie
121	175611	Soutien du support	286	72110522	Boulon 5/16 - 18 x 2.75
125	17000512	Vis 5/16-18 x 3/4			
145	163168	Rondelle			
153	4497H	Ressort D'Arrêtoir			
159	76020412	Goupille fendue 1/8 x 3/4			

REMARQUE: Toutes les dimensions de composant sont données en pouces E.-U. --1 pouce = 25,4 mm

TRACTEUR - NO. DE MODÈLE PBGT26H54 (96042004004), NO. DE PRODUIT 960 42 00-40

ENTRAINEMENT

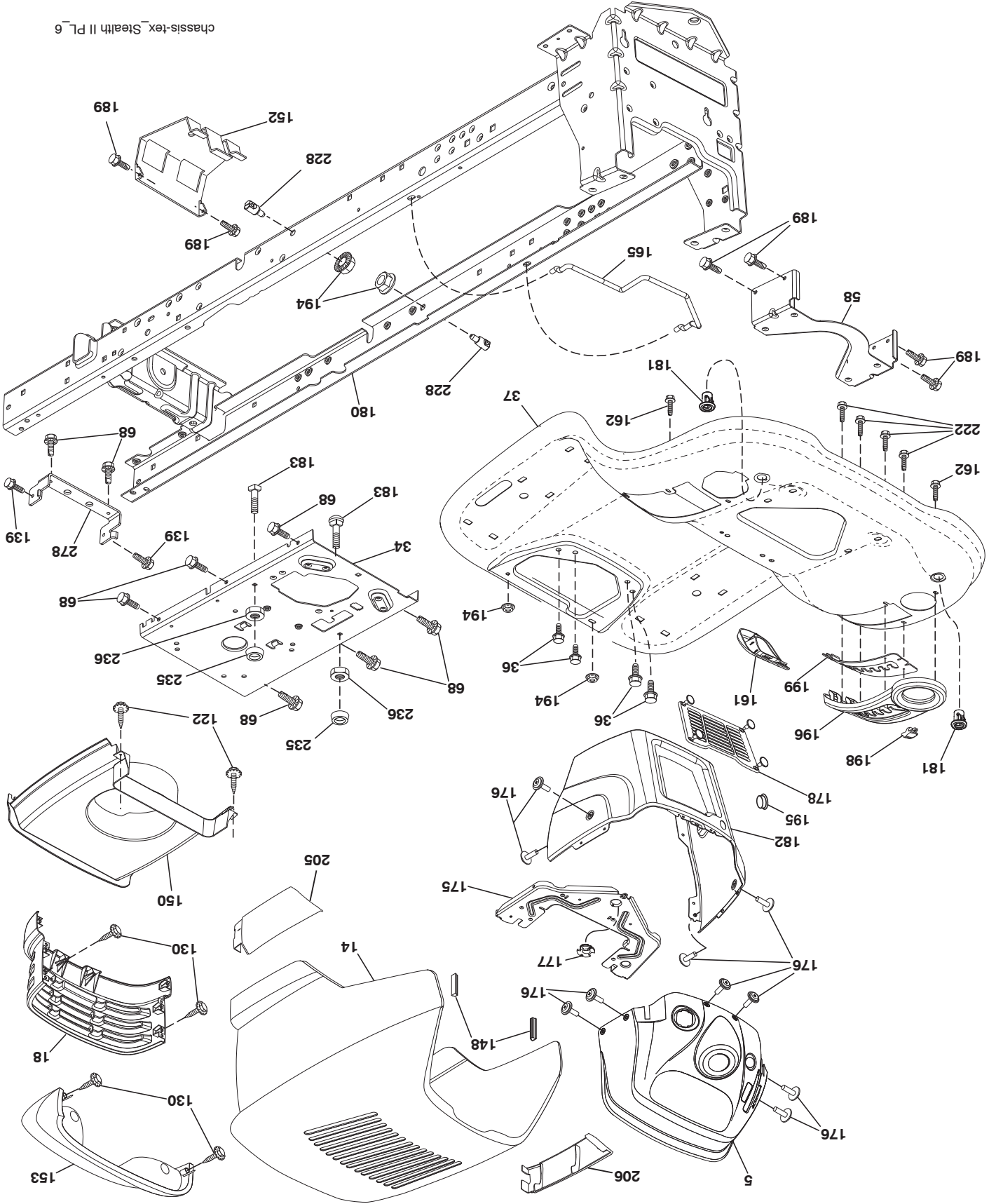


NO. NO.
 DE DE
 RÉF. PIÈCE

DESCRIPTION	RÉF. PIÈCE	NO. NO.
Tableau de bord	195102X428	5
Capot	175289X428	18
Calandre	196125	34
Plaque de la moteur	17060512	36
Screw 5/16-18 x 3/4	400009X428	37
Alie	194314	58
Support	17490508	68
Vis 5/16-18 x 1/2	192512	122
Vis 10-13 x 5/8	416358	130
Vis H #10 x .750	196539	139
Bouon	164655	148
Butoir	175351	150
Canalisation	199535	152
Deflecteur	161840	153
Barre D'Objectif	193097X428	161
Fenêtre de combustible	142432	162
Vis H 1/4 x 1/2	196826	165
Soutien du support	193236	175
Pièce d'entretoisement	400776	176
Vis 10-24 x 5/8	195227	177
Douille	195651	178
Couverture	195477	180
Châssis	193102X428	181
Douille	192551	182
Tableau de bord	74780520	183
Bouon	17000512	189
Vis 5/16-18 x 3/4	73900500	194
Ecrou frein H 5/16-18	401556X428	195
Bouchon	193098X428	196
Panneau du tableau de bord	197300X421	198
Indicateur D'Ascenseur De Plate-forme	196377	199
Plaque de renforcement	169847X428	205
Jupe C.D.	169848X428	206
Jupe C.G.	137729	222
Vis 1/4-20 x 5/8	195161	228
Attache De Goujon	406129	235
Entretoise	73930500	236
Ecrou	196394	278
Support, Capot		

REMARQUE: Toutes les dimensions de composant sont données en pouces E.-U. -- 1 pouce = 25,4 mm

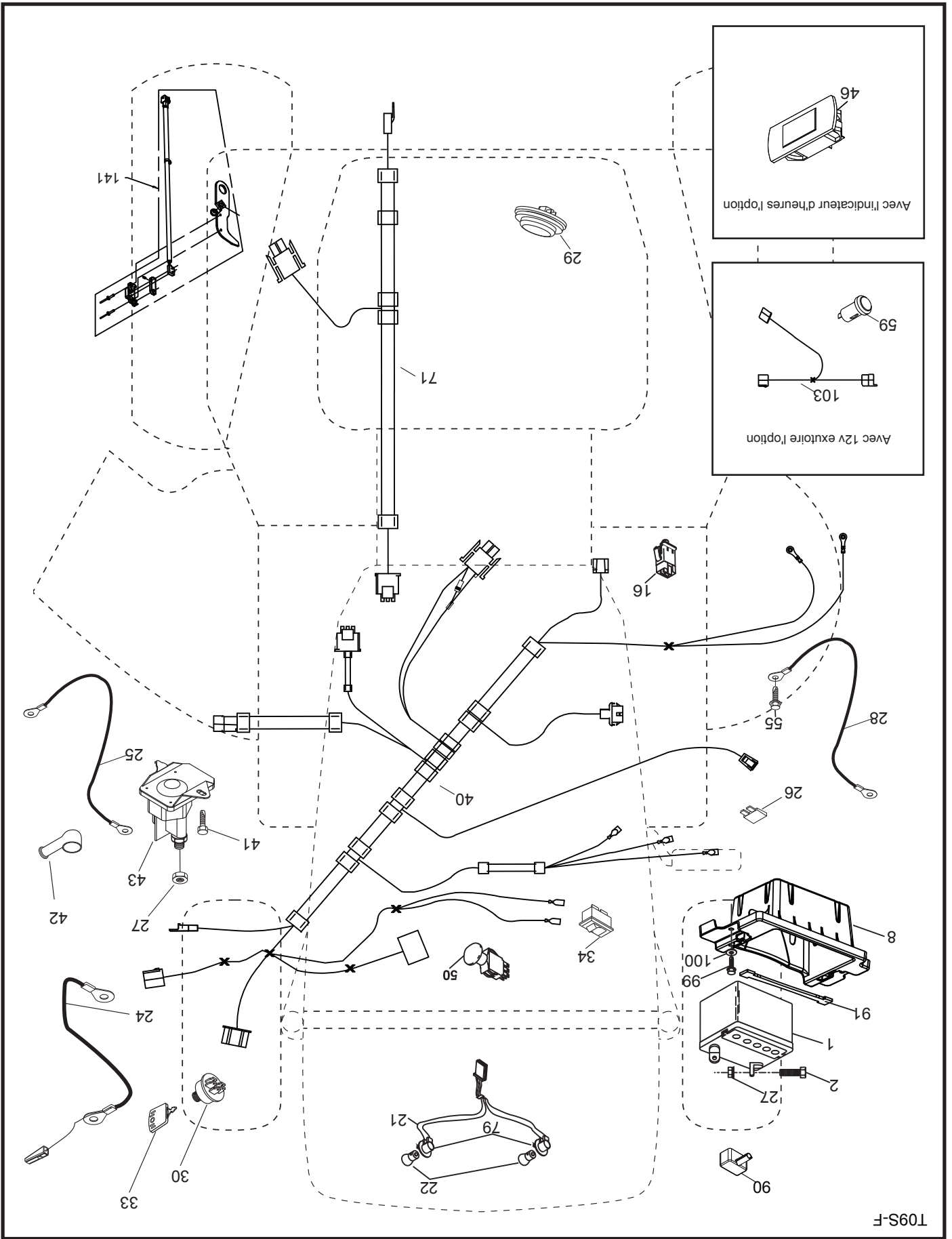
TRACTEUR - NO. DE MODÈLE PBGT26H54 (96042004004), NO. DE PRODUIT 960 42 00-40
CHÂSSIS/ENCEINTE

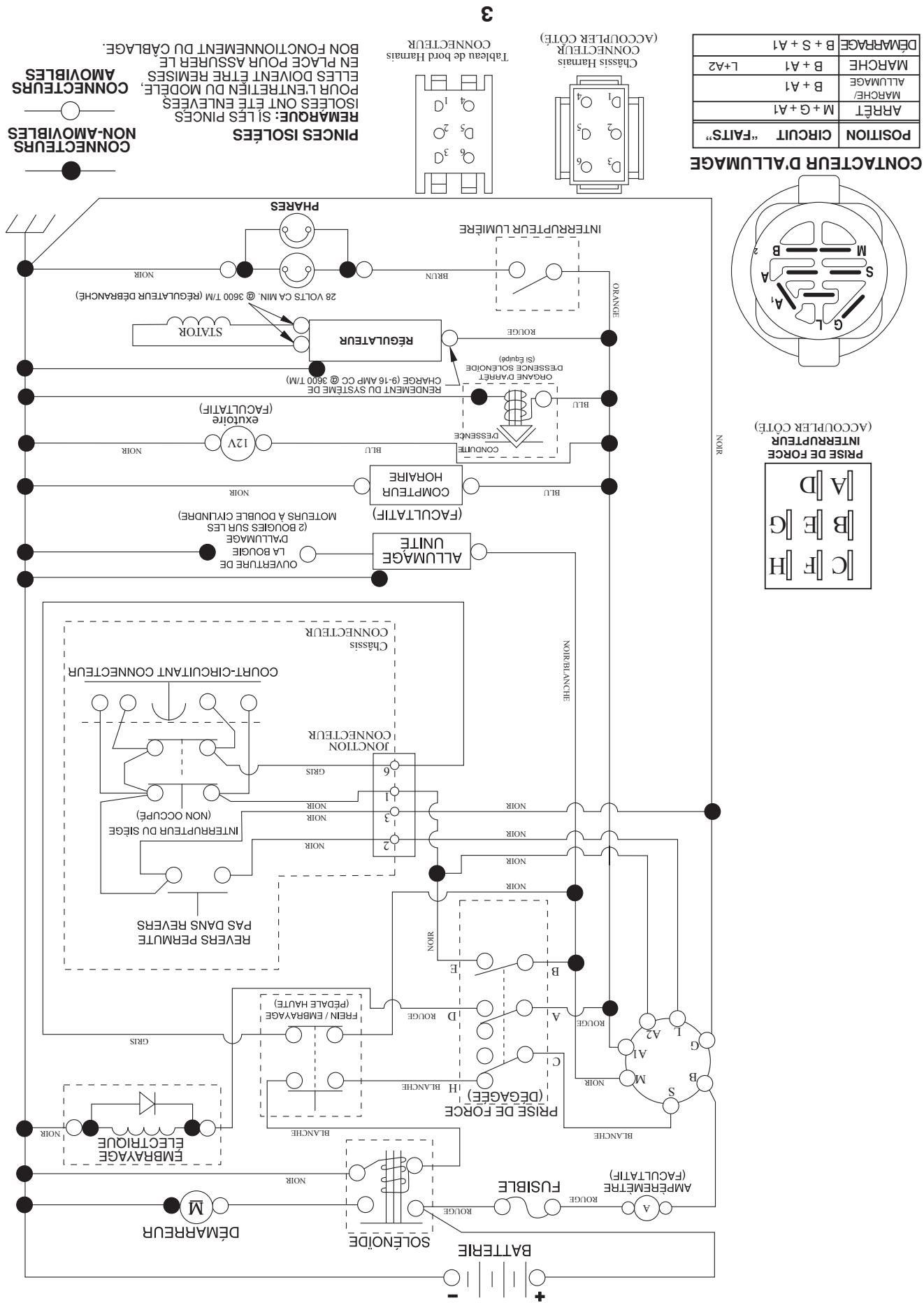


chassis-tex_Stealth II PL_6

NO.	DE	REF.	DESCRIPTION
1		163465	Batterie
2		74760412	Boulon H 1/4-20 unc x 3/4
8		186491	Bac de batterie
16		176138	Interrupteur de verrouillage pressé
21		175688	Harnais des prises de courant des phares W/14152J
22		4152	Ampoule
24		400253	Câble de batterie
25		412895	Câble de batterie de 6 ja avec un fil de 16 po. - rouge 6 ja.
26		175158	Fusible
27		73510400	Ecrou H 1/4-20 unc
28		145491	Câble de masse de 6 ja. de 21" - noir
29		401545	Interrupteur
30		193350	Contacteur d'allumage
33		411935	Clé de contact
34		110712X	L'Interrupteur des phares
40		401104	Support
41		17720408	Vis 1/4-20 x 1/2
42		131563	Couverture de borne
43		192507	Solénoïde
46		401763	Compteur horaire
50		174653	Interrupteur
55		17060512	Vis 5/16-18 x 3/4
71		194276	Harnais des câbles d'allumage Châssis
79		175242	Assemblée De Bulbholder
90		400724	Couverture
91		190270	Attache
99		17670412	Vis H 1/4-20 x 3/4
100		19091416	Rondelle 9/32 x 7/8 x 16 Ja.
141		421225	Trousse G700 ROS

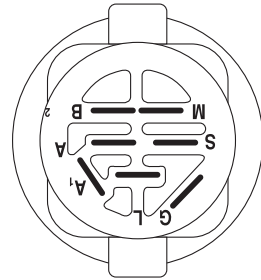
REMARQUE: Toutes les dimensions de composant sont données en pouces E.-U. -- 1 pouce = 25,4 mm



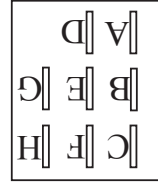


CONTACTEUR D'ALLUMAGE

POSITION	CIRCUIT "FAITS"	CIRCUIT "FAITS"
ARRÊT	M + G + A1	M + G + A1
MARCHE/ALLUMAGE	B + A1	B + A1
MARCHE	B + A1	B + A1
DÉMARRAGE	B + S + A1	B + S + A1



PRISE DE FORCE INTERRUPTEUR (ACCOUPLER CÔTÉ)



Chassis Hammas CONNECTEUR (ACCOUPLER CÔTÉ)

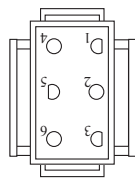
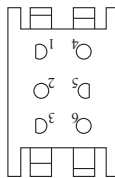


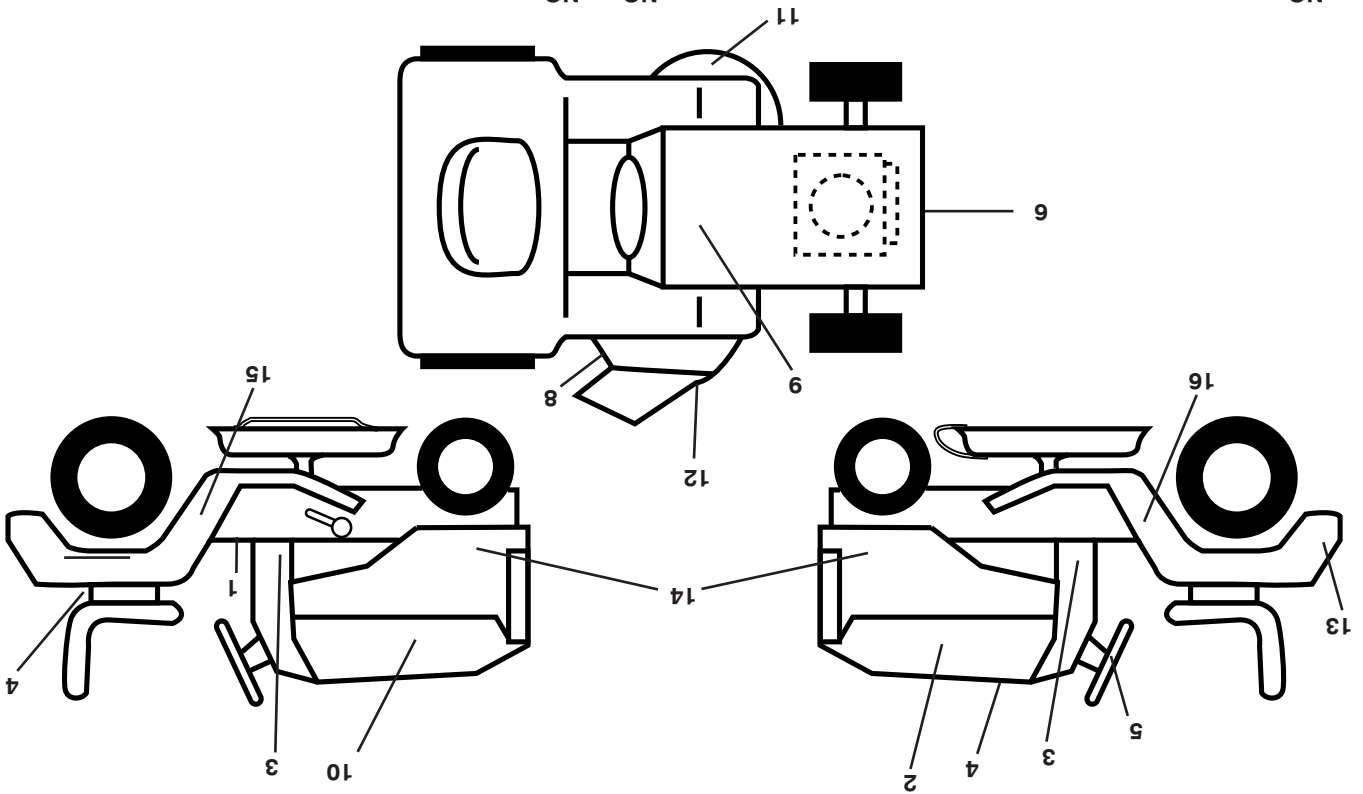
Tableau de bord Hammas CONNECTEUR



PINCES ISOLÉES
REMARQUE: SI LES PINCES ISOLÉES ONT ÉTÉ ENLEVÉES, ELLES DOIVENT ÊTRE REMISES POUR L'ENTRETIEN DU MODELE. CONNECTEURS AMOVIBLES



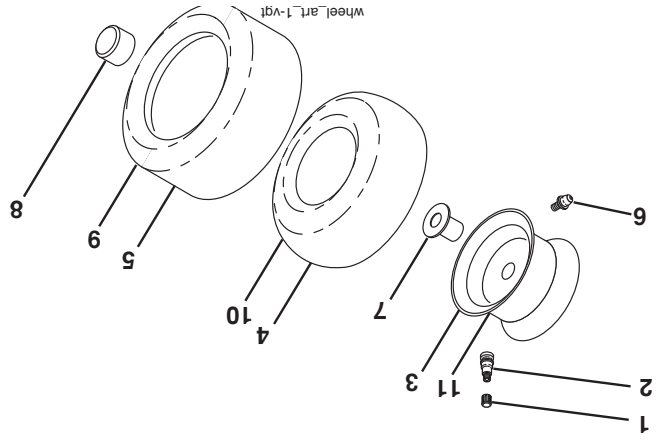
BON FONCTIONNEMENT DU CÂBLAGE. EN PLACE POUR ASSURER LE



NO. DE DÉ	NO. DE PIÈCE	DESCRIPTION
11	178502	Décalcomanie d'attention
12	170563	Décalcomanie de tondeuse
13	172740	Décalcomanie de l'aile
14	408796	Décalcomanie du panneau latéral
15	408948	Décalcomanie Pare-chocs latéral CG
16	408949	Décalcomanie Pare-chocs latéral CD
--	166960	Décalcomanie dérivation
--	193279x428	Coussin d' repose-pied C.G.
--	193101x428	Coussin d' repose-pied C.D.
--	423349	Manuel de parties de réparation (français/ anglais)
--	423350	Manuel de l'opérateur (français/ anglais)

NO. DE DÉ	NO. DE PIÈCE	DESCRIPTION
1	411658	Décalcomanie d'opération
2	402355	Décalcomanie du capot avec
3	402525	Décalcomanie intérieur tableau de bord
4	411140	Décalcomanie de pièces de rechange
5	423398	Décalcomanie volant de direction
6	408843	Décalcomanie du moteur
8	198785	Décalcomanie de tondeuse
9	145005	Décalcomanie de danger/poison de la batterie
10	402357	Décalcomanie du capot avec

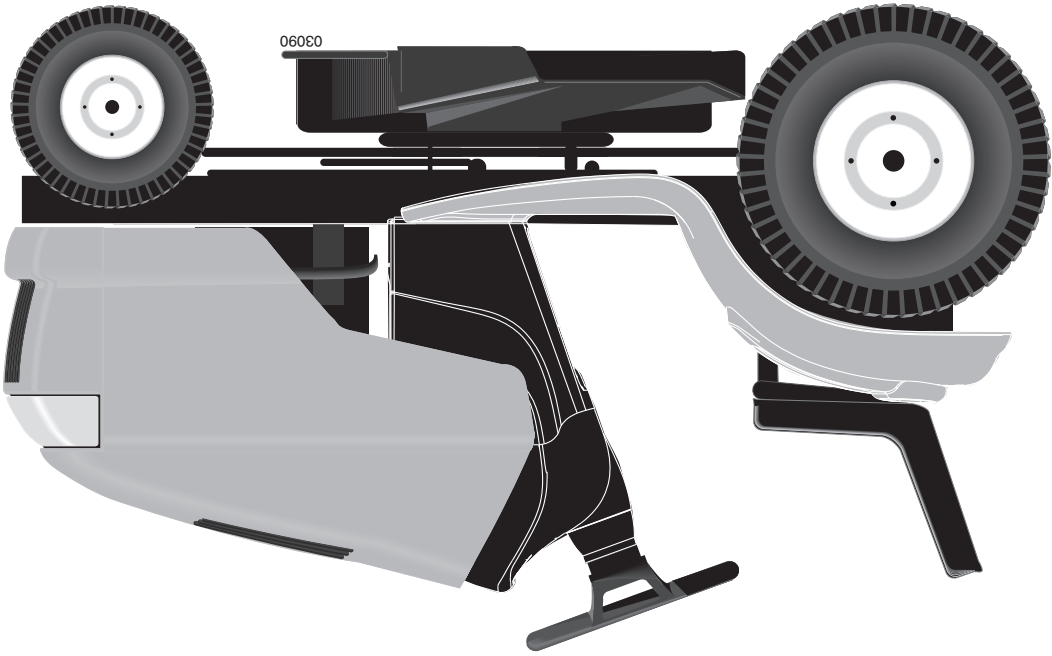
WHEELS AND TIRES



NO. DE DÉ	NO. DE PIÈCE	DESCRIPTION
1	59192	Capuchon de la valve du pneu
2	65139	Tubulure de la valve
3	106228x421	Ensemble de la jante antérieure
4	8134H	Chambre à air antérieure (non fournie)
5	106230X	Pneu antérieur
6	278H	Graisneur (roue antérieure seulement)
7	9040H	Paliers à bride (roue antérieure seulement)
8	104757X421	Chapeau de l'essieu
9	105588X	Pneu arrière
10	7154J	Chambre à air arrière (non fournie)
11	124074X421	Ensemble de la jante arrière
--	144334	Joint d'étanchéité de pneu (tube de .30L [10 oz. Tube])

REMARQUE: Toutes les dimensions de composant sont données en pouces E.-U. --1 pouce = 25,4 mm

Poulan PRO



MANUEL DE PARTIES DE RÉPARATION

MODÈLE:

PBGT26H54
TRACTEUR DE JARDIN

Portez toujours des lunettes de sécurité lors de l'utilisation.

Visitez notre site web: www.poulan-pro.com

Lisez soigneusement le manuel
suivez tous les avertissements et les
instructions de sécurité. Les blessures
sérieuses peuvent en résulter si
vous ne lisez pas ces avertissements
et instructions de sécurité.

AVERTISSEMENT:

