

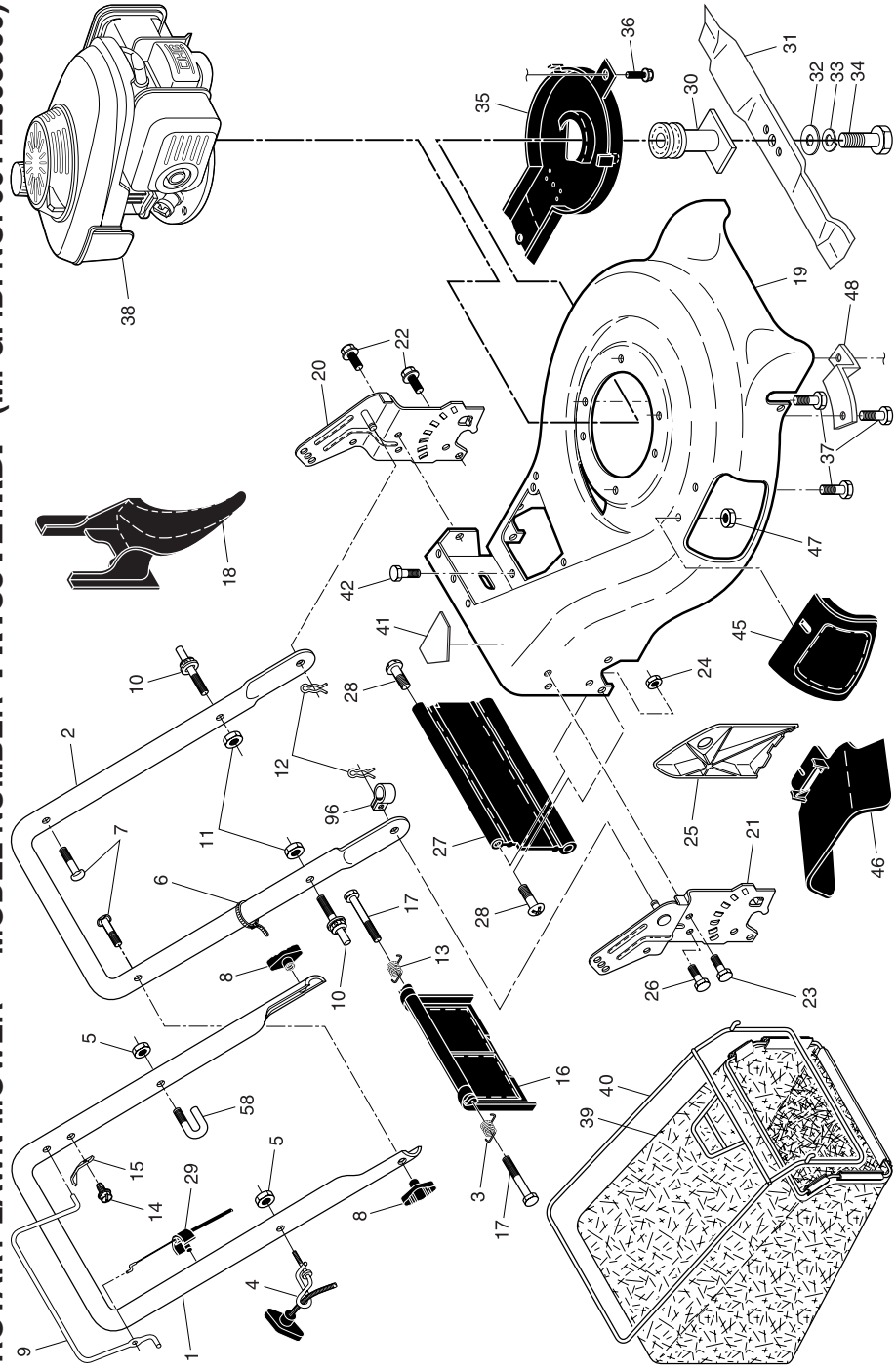
**REPAIR PARTS MANUAL**  
**MODEL NO. PR160Y21RDP**  
**(MFG. ID. NO. 96142005500)**  
**Rotary Lawn Mower**

For Parts and Service, contact our authorized distributor: call 1-800-849-1297  
For Technical Assistance: call 1-800-829-5886

**Poulan PRO**

**Poulan PRO**

ROTARY LAWN MOWER -- MODEL NUMBER PR160Y21RDP (MFG. ID. NO. 96142005500)



## LIMITED WARRANTY

The Manufacturer warrants to the original consumer purchaser that this product as manufactured is free from defects in materials and workmanship. For a period of two (2) years from date of purchase by the original consumer purchaser, we will repair or replace, at our option, without charge for parts or labor incurred in replacing parts, any part which we find to be defective due to materials or workmanship. This Warranty is subject to the following limitations and exclusions.

1. This warranty does not apply to the engine, transaxle/transmission components, battery (except as noted below) or components parts thereof. Please refer to the applicable manufacturer's warranty on these items.
2. Transportation charges for the movement of any power equipment unit or attachment are the responsibility of the purchaser. Transportation charges for any parts submitted for replacement under this warranty must be paid by the purchaser unless such return is requested by the manufacturer.
3. Battery Warranty: On products equipped with a Battery, we will replace, without charge to you, any battery which we find to be defective in manufacture, during the first ninety (90) days of ownership. After ninety (90) days, we will exchange the Battery, charging you 1/12 of the price of a new Battery for each full month from the date of the original sale. Battery must be maintained in accordance with the instructions furnished.
4. The Warranty period for any products used for rental or commercial purposes is limited to 45 days from the date of original purchase.
5. This Warranty applies only to products which have been properly assembled, adjusted, operated, and maintained in accordance with the instructions furnished. This Warranty does not apply to any product which has been subjected to alteration, misuse, abuse, improper assembly or installation, delivery damage, or to normal wear of the product.
6. Exclusions: Excluded from this Warranty are belts, blades, blade adapters, normal wear, normal adjustments, standard hardware and normal maintenance.
7. In the event you have a claim under this Warranty, you must return the product to an authorized service dealer.

Should you have any unanswered questions concerning this Warranty, contact:

Poulan Pro  
Customer Service Department  
1030 Stevens Creek Road  
Augusta, GA 30907 USA

In Canada contact:  
Poulan Pro  
Customer Service Department  
5855 Terry Fox Way  
Mississauga, Ontario L5V 3E4

giving the model number, serial number and date of purchase of your product and the name and address of the authorized dealer from whom it was purchased.

**THIS WARRANTY DOES NOT APPLY TO INCIDENTAL OR CONSEQUENTIAL DAMAGES AND ANY IMPLIED WARRANTIES ARE LIMITED TO THE SAME TIME PERIODS STATED HEREIN FOR OUR EXPRESSED WARRANTIES.**

Some areas do not allow the limitation of consequential damages or limitations of how long an implied Warranty may last, so the above limitations or exclusions may not apply to you. This Warranty gives you specific legal rights, and you may have other rights which vary from locale to locale.

This is a limited Warranty within the meaning of that term as defined in the Magnuson-Moss Act of 1975.

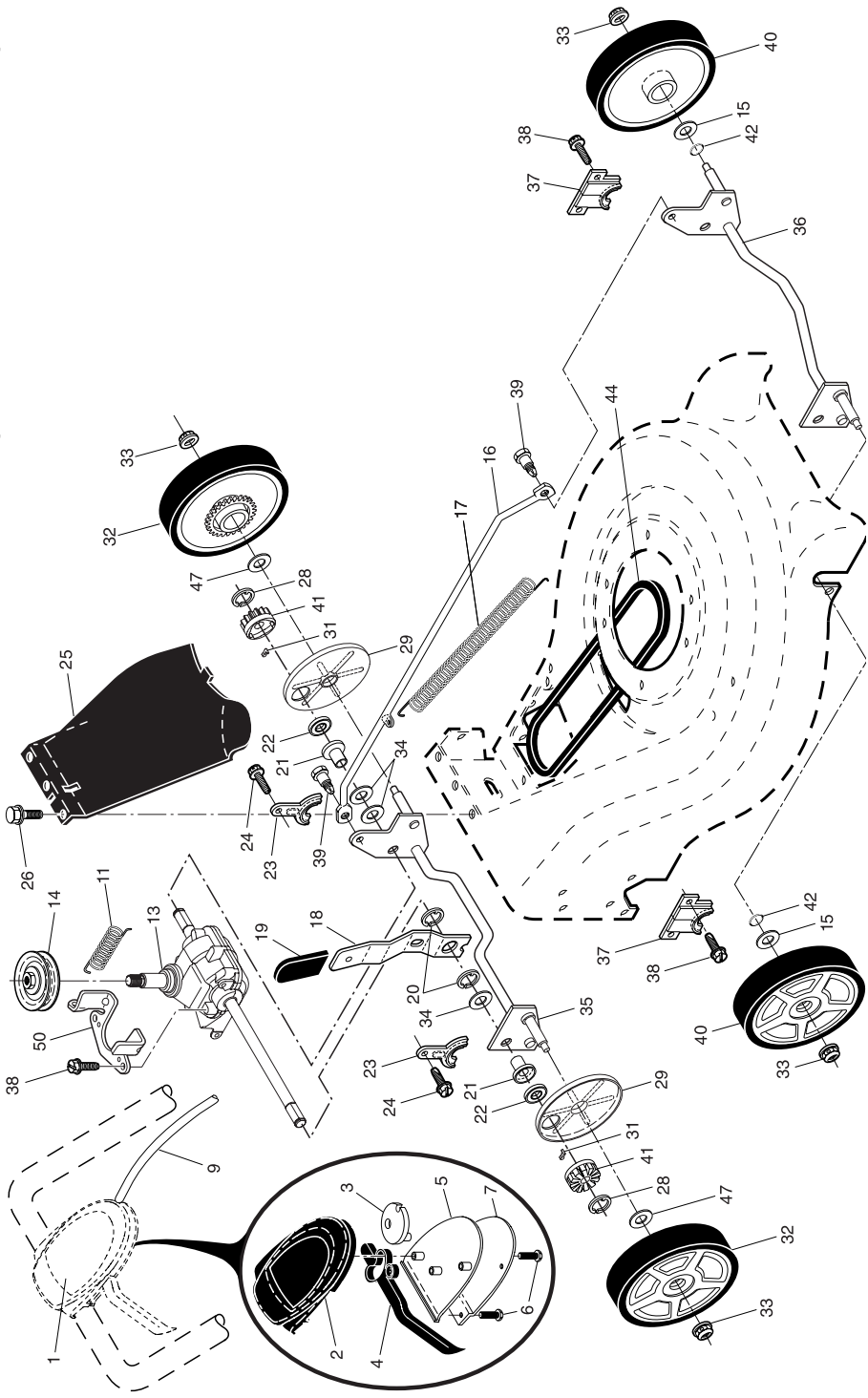
## ROTARY LAWN MOWER - - MODEL NUMBER PR160Y21RDP (MFG. ID. NO. 96142005500)

KEY PART NO.	PART NO.	DESCRIPTION	KEY PART NO.	PART NO.	DESCRIPTION	KEY PART NO.	PART NO.	DESCRIPTION
1	194577X479	Handle, Upper	24	73800500	Nut, Hex, with Lockwasher Insert 5/16-18	38	---	Engine, Honda, Model Number GCV160-LAS3A (For engine service and replacement parts, call Honda Engines at 1-800-426-7701)
2	193664X479	Handle, Lower	25	161333	Baffle, Side	39	411061	Grassbag
3	405416	Spring, Rear Door, RH	26	163409	Screw, Hi-Lo Thread #12 x 5/8	40	411951	Frame, Grassbag
4	194788	Rope Guide	27	408442	Skirt, Rear	41	404763	Danger Decal
5	132004	Nut, Hex, with Lockwasher Insert 1/4-20	28	88652	Screw, Hinge 1/4-20 x 1.25	42	17060410	Screw
6	66426	Wire, Tie	29	191221	Cable, Operator Presence	45	183058X428	Mulcher Door
7	191574	Bolt, Handle 5/16-18 x 2-5/8	30	189179	Blade Adapter / Pulley	46	169699X428	Discharge Guard
8	189713X428	Knob, Handle	31	406712	Blade, 21"	47	88349	Nut, Hex
9	194580X421	Control Bar	32	851074	Washer	48	188839X004	Mounting Bracket, Debris Shield
10	188821	Pin, Handle Adjustment	33	850263	Washer, Lock	58	182003	Clip, Packaging
11	751153	Nut, Hex	34	851084	Bolt, Hex Head	96	197991	Clip, Cable
12	51793	Cotter, Hairpin	35	405843	Debris Shield	--	404764	Warning Decal (not shown)
13	405415	Spring, Rear Door, LH	36	192325	Bolt	--	193733	Operator's Manual, English
14	750634	Screw	37	150406	Bolt, Engine	--	193736	Operator's Manual, French
15	850733X004	Bracket, Upstop						Repair Parts Manual
16	401815X428	Rear Door Assembly						
17	184193	Bolt, Rear Door						
18	198170	Plug, Mulcher						
19	419551	Kit, Housing						
20	193917X479	Handle Bracket Assembly, LH						
21	193916X479	Handle Bracket Assembly, RH						
22	17000512	Screw, Hex Washer Head						
23	163183	Bolt, Hex Head 5/16-18 x 5/8						

**IMPORTANT:** Use only Original Equipment Manufacturer (O.E.M.) replacement parts. Failure to do so could be hazardous, damage your lawn mower and void your warranty.

**NOTE:** All component dimensions given in U.S. inches. 1 inch = 25.4 mm.

**ROTARY LAWN MOWER -- MODEL NUMBER PR160Y21RDP (MFG. ID. NO. 96142005500)**



**ROTARY LAWN MOWER -- MODEL NUMBER PR160Y21RDP (MFG. ID. NO. 96142005500)**

KEY PART NO.	DESCRIPTION	KEY PART NO.	DESCRIPTION
1	Drive Control Assembly	25	Cover Drive
2	Cover, Top	26	Screw, Threaded, Rolled #10-25 x 1/2
3	Pulley	28	E-Ring 7/16
4	Lever, Drive Control	29	Cover, Dust, Wheel
5	Cover, Bottom	31	Pawl, Drive
6	Screw	32	Wheel & Tire Assembly, Rear (Driven) 8 x 1-3/4
7	Mounting Bracket	33	Nut, Flangelock 3/8-16
9	Cable, Drive	34	Washer
11	Spring, Return	35	Shaft Assembly, Rear
13	Gear Case Assembly	36	Shaft Assembly, Front
14	Pulley, Drive	37	Retainer, Front Shaft
15	Washer, Flat	38	Screw #12 x 5/8
16	Rod, Connecting	39	Bolt, Shoulder
17	Spring, Extension	40	Semi-Gimlett Point Wheel & Tire Assembly, Front 8 x 1-3/4
18	Spring, Selector	41	Pinion, Gear
19	Knob, Selector Spring	42	O-Ring
20	E-Ring 7/8	44	V-Belt
21	Bearing	47	Washer
22	Bearing, Ball	50	Belt Keeper
23	Retainer, Drive Assembly		
24	Screw, Tapping, Hex Head 1/4-20 x 3/4		
26	Cover, Top		
28	E-Ring 7/16		
29	Cover, Dust, Wheel		
31	Pawl, Drive		
32	Wheel & Tire Assembly, Rear (Driven) 8 x 1-3/4		
33	Nut, Flangelock 3/8-16		
34	Washer		
35	Shaft Assembly, Rear		
36	Shaft Assembly, Front		
37	Retainer, Front Shaft		
38	Screw #12 x 5/8		
39	Bolt, Shoulder		
40	Semi-Gimlett Point Wheel & Tire Assembly, Front 8 x 1-3/4		
41	Pinion, Gear		
42	O-Ring		
44	V-Belt		
47	Washer		
50	Belt Keeper		

**IMPORTANT:** Use only Original Equipment Manufacturer (O.E.M.) replacement parts. Failure to do so could be hazardous, damage your lawn mower and void your warranty.

**NOTE:** All component dimensions given in U.S. inches. 1 inch = 25.4 mm.