

CONGRATULATIONS on your purchase of a new lawn mower. Your lawn mower has been designed, engineered and manufactured to give you the best possible dependability and performance.

LIMITED WARRANTY

The Manufacturer warrants to the original consumer purchaser that this product as manufactured is free from defects in materials and workmanship. For a period of one (1) year from date of purchase by the original consumer purchaser, we will repair or replace, at our option, without charge for parts or labor incurred in replacing parts, any part which we find to be defective due to materials or workmanship. This Warranty is subject to the following limitations and exclusions.

1. This warranty does not apply to the engine, other than EHP manufactured transaxle/transmission components, battery (except as noted below) or components parts thereof. Please refer to the applicable manufacturer's warranty on these items.
2. Transportation charges for the movement of any power equipment unit or attachment are the responsibility of the purchaser. Transportation charges for any parts submitted for replacement under this warranty must be paid by the purchaser unless such return is requested by Electrolux Home Products.
3. Battery Warranty: On products equipped with a Battery, we will replace, without charge to you, any battery which we find to be defective in manufacture, during the first ninety (90) days of ownership. After ninety (90) days, we will exchange the Battery, charging you 1/12 of the price of a new Battery for each full month from the date of the original sale. Battery must be maintained in accordance with the instructions furnished.
4. The Warranty period for any products used for rental or commercial purposes is limited to 45 days from the date of original purchase.
5. This Warranty applies only to products which have been properly assembled, adjusted, operated, and maintained in accordance with the instructions furnished. This Warranty does not apply to any product which has been subjected to alteration, misuse, abuse, improper assembly or installation, delivery damage, or to normal wear of the product.
6. Exclusions: Excluded from this Warranty are belts, blades, blade adapters, normal wear, normal adjustments, standard hardware and normal maintenance.
7. In the event you have a claim under this Warranty, you must return the product to an authorized service dealer.

Should you have any unanswered questions concerning this Warranty, please contact:

Electrolux Home Products
a division of WCI Outdoor Products, Inc.
Outdoor Products Customer Service Dept.
250 Bobby Jones Expressway
Augusta, GA 30909 USA

In Canada contact:
Electrolux Home Products
a division of WCI OutdoorProducts, Inc.
7075 Ordan Drive
Mississauga, Ontario
L5T 1K6

giving the model number, serial number and date of purchase of your product and the name and address of the authorized dealer from whom it was purchased.

THIS WARRANTY DOES NOT APPLY TO INCIDENTAL OR CONSEQUENTIAL DAMAGES AND ANY IMPLIED WARRANTIES ARE LIMITED TO THE SAME TIME PERIODS STATED HEREIN FOR OUR EXPRESSED WARRANTIES.

Some areas do not allow the limitation of consequential damages or limitations of how long an implied Warranty may last, so the above limitations or exclusions may not apply to you. This Warranty gives you specific legal rights, and you may have other rights which vary from locale to locale.

This is a limited Warranty within the meaning of that term as defined in the Magnuson-Moss Act of 1975.



REPAIR PARTS MANUAL

MODEL NO. P4TN20RA

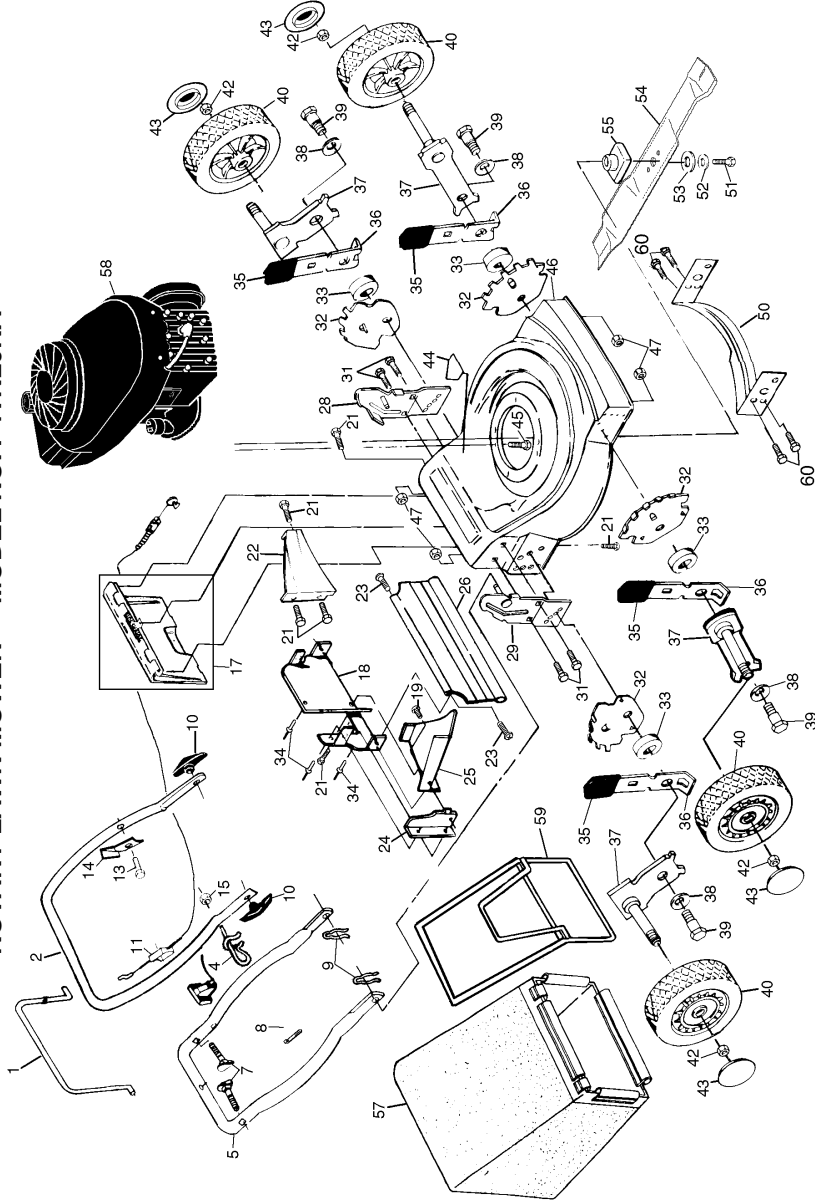
Lawn Mower

For Parts and Service, contact our authorized distributor: call 1-800-849-1297
For Technical Assistance: call 1-800-829-5886

Poulan

REPAIR PARTS

ROTARY LAWN MOWER -- MODEL NO. P4TN20RA



ROTARY LAWN MOWER -- MODEL NO. P4TN20RA

KEY NO.	PART NO.	DESCRIPTION	KEY NO.	PART NO.	DESCRIPTION
1	131696	Control Bar	34	128415	Pop Rivet
2	166860X479	Upper Handle	35	87877	Selector Knob
4	132001	Rope Guide	36	700331X004	Selector Spring
5	151590X479	Lower Handle	37	145935X004	Axle Arm Assembly
7	131959	Handle Bolt	38	62335	Belleville Washer
8	66426	Wire Tie	39	142748	Shoulder Bolt
9	51793	Hairpin Cotter	40	146248	Wheel and Tire Assembly
10	136376	Handle Knob	42	83923	Hex Flange Locknut
11	164322	Engine Zone Control Cable	43	77400	Hubcap
13	750097	Hex Washer Head Screw 10-24 x 1/2	44	85463	Danger Decal
14	850733X004	Up-Stop Bracket	45	150406	Hex Head Thread Rolling Screw 3/8-16 x 1
15	63601	Locknut 1/4-20	46	48314	Lawn Mower Housing (Incl. Key #18, 22, 24, 44, 50)
17	147613	Rear Door Assembly Kit	47	751592	Locknut 3/8-16
18	700357X479	Back Plate	50	170489	Front Baffle
19	150050	Self Tapping Screw 10-24 x 5/8	51	851084	Hex Head Machine Screw 3/8-24 x 1-3/8 (Grd. 8)
21	54583	Hex Head Tapping Screw 1/4-20 x 1/2	52	850263	Helical Lockwasher 3/8
22	700063X479	Hinge Screw 1/4-20 x 1-1/4	53	851074	Washer
23	88652	Side Baffle	54	850972	Blade 20"
24	700363X479	Discharge Baffle	55	850977	Blade Adapter
25	144875X479	Rear Deflector	57	176232	Grass Bag
26	140657	Handle Bracket Assembly (Left)	58	-----	Engine Model No. LEV100
28	151512X479	Handle Bracket Assembly (Right)			Order parts from engine manufacturer
29	150078	Screw 5/16-18 x 3/4	59	88614	Throat Frame
31	700325X007	Wheel Adjusting Bracket	60	17600406	Serrated Hex Screw 1/4 x 20 TT
33	146630	Spacer	--	161058	Warning Decal (Not Shown)
			--	172782	Operator's Manual (English)
			--	172784	Operator's Manual (Spanish)
			--	176234	Replacement Parts Manual