

ILLUSTRATED PARTS LIST

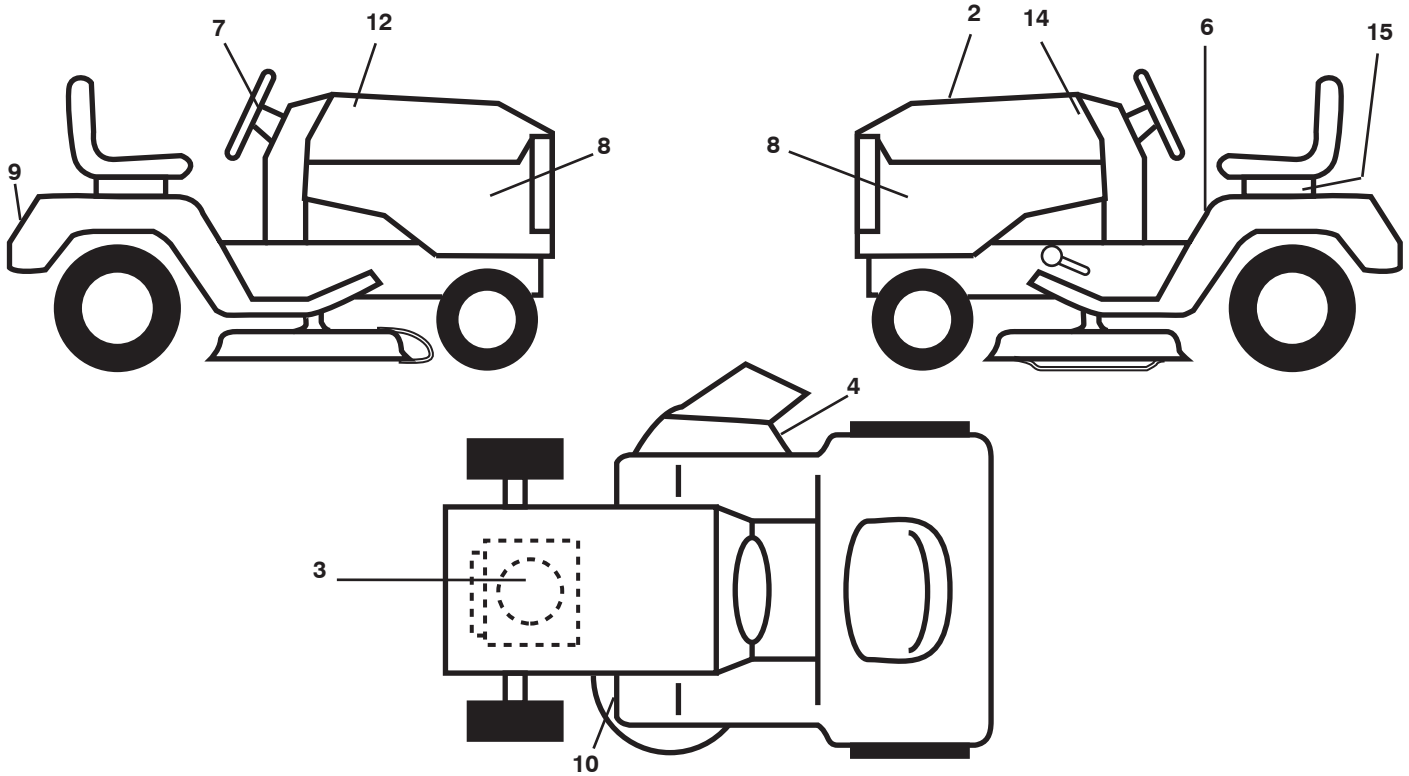
MFG ID NO. 96012009000

CUSTOMER CATALOG NO. PO18542LT

PRODUCT NO. 960 12 00-90

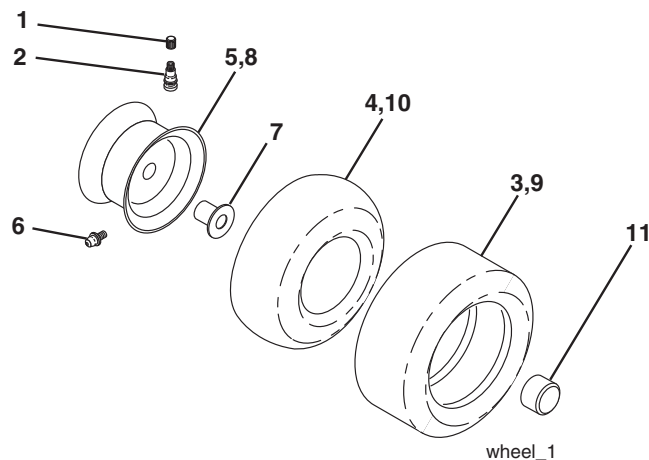
REPAIR PARTS

TRACTOR - MODEL NUMBER PO18542LT (96012009000), PRODUCT NO. 960 12 00-90
DECALS



KEY NO.	PART NO.	DESCRIPTION	KEY NO.	PART NO.	DESCRIPTION
2	194691	Decal, Replacement	10	160396	Decal, V-Belt Sch.
3	408832	Decal, Engine HP	12	194543	Decal, Hood RH
4	170563	Decal, Warning	14	194544	Decal, Hood LH
6	411658	Decal, Fender Warning (E&F)	15	145005	Decal, Caution, Battery
7	189705	Decal, Ins Str Wh	--	138311	Decal, Handle Lft Height Adj.
8	425093	Decal, Side Panel	--	424999	Manual, Operator's, English & French
9	158166	Decal, Fender	--	425000	Manual, Parts, English & French

WHEELS & TIRES

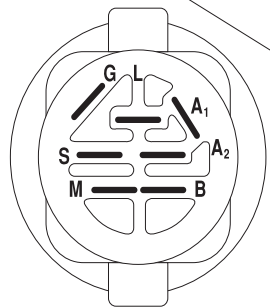
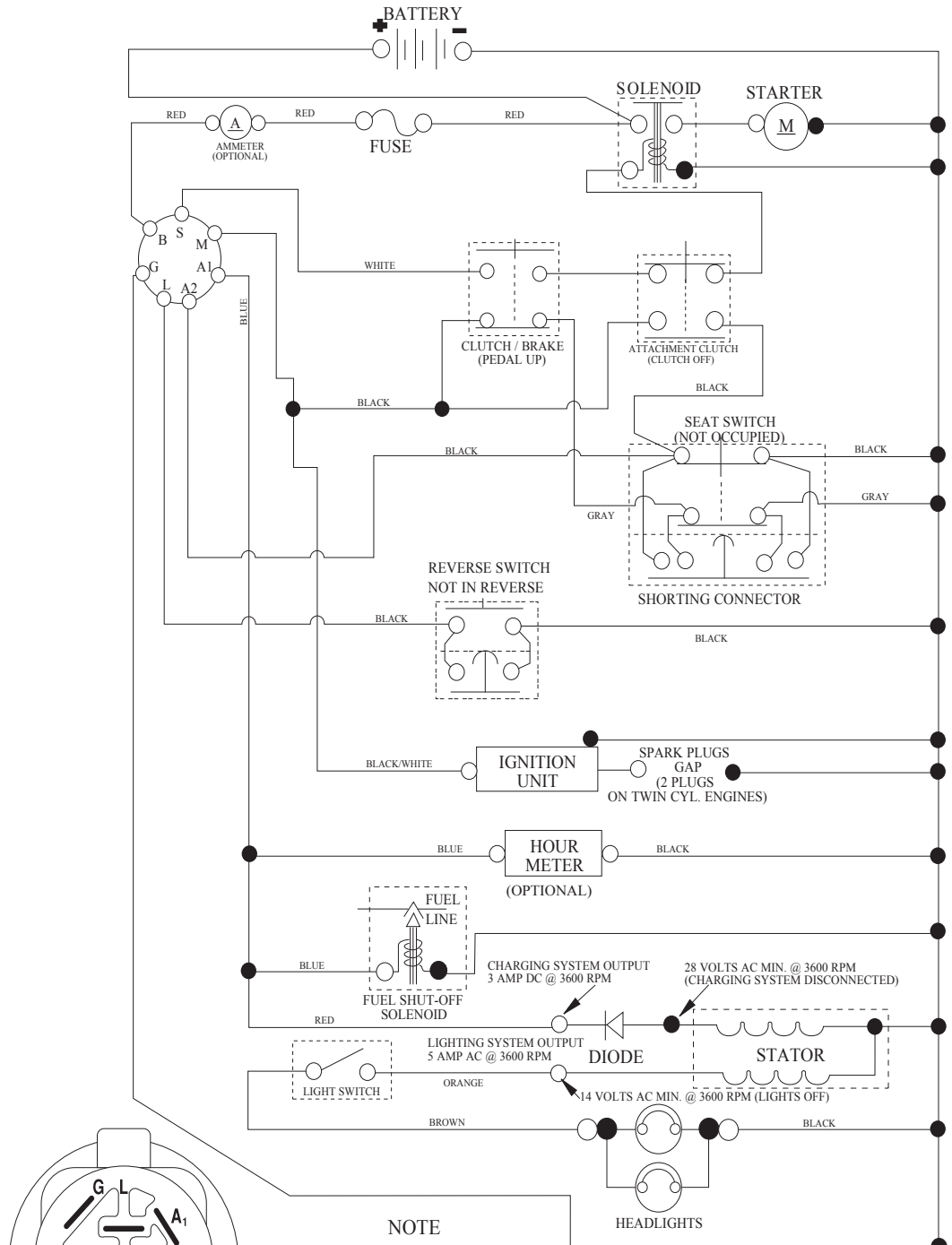


KEY NO.	PART NO.	DESCRIPTION
1	59192	Cap, Tire Valve
2	65139	Stem, Valve
3	124157X	Tire, Front
4	59904	Tube, Front (Service item only)
5	106732X624	Rim Assembly, 6" Front
6	278H	Fitting, Grease (Front wheel only)
7	9040H	Bearing, Flange (Front wheel only)
8	106108X624	Rim Assembly, 8" Rear
9	123969X	Tire, Rear
10	7152J	Tube, Rear (Service item only)
11	104757X428	Cap, Hub Axle
--	144334	Sealant, Tire (10 oz. Tube)

NOTE: All component dimensions given in U.S. inches
1 inch = 25.4 mm

TRACTOR - MODEL NUMBER PO18542LT (96012009000), PRODUCT NO. 960 12 00-90 SCHEMATIC

SCH03



IGNITION SWITCH

POSITION	CIRCUIT "MAKE"
OFF	M+G+A1
RUN/OVERRIDE	B+A1
RUN	B+A1 L+A2
START	B + S + A1

NOTE

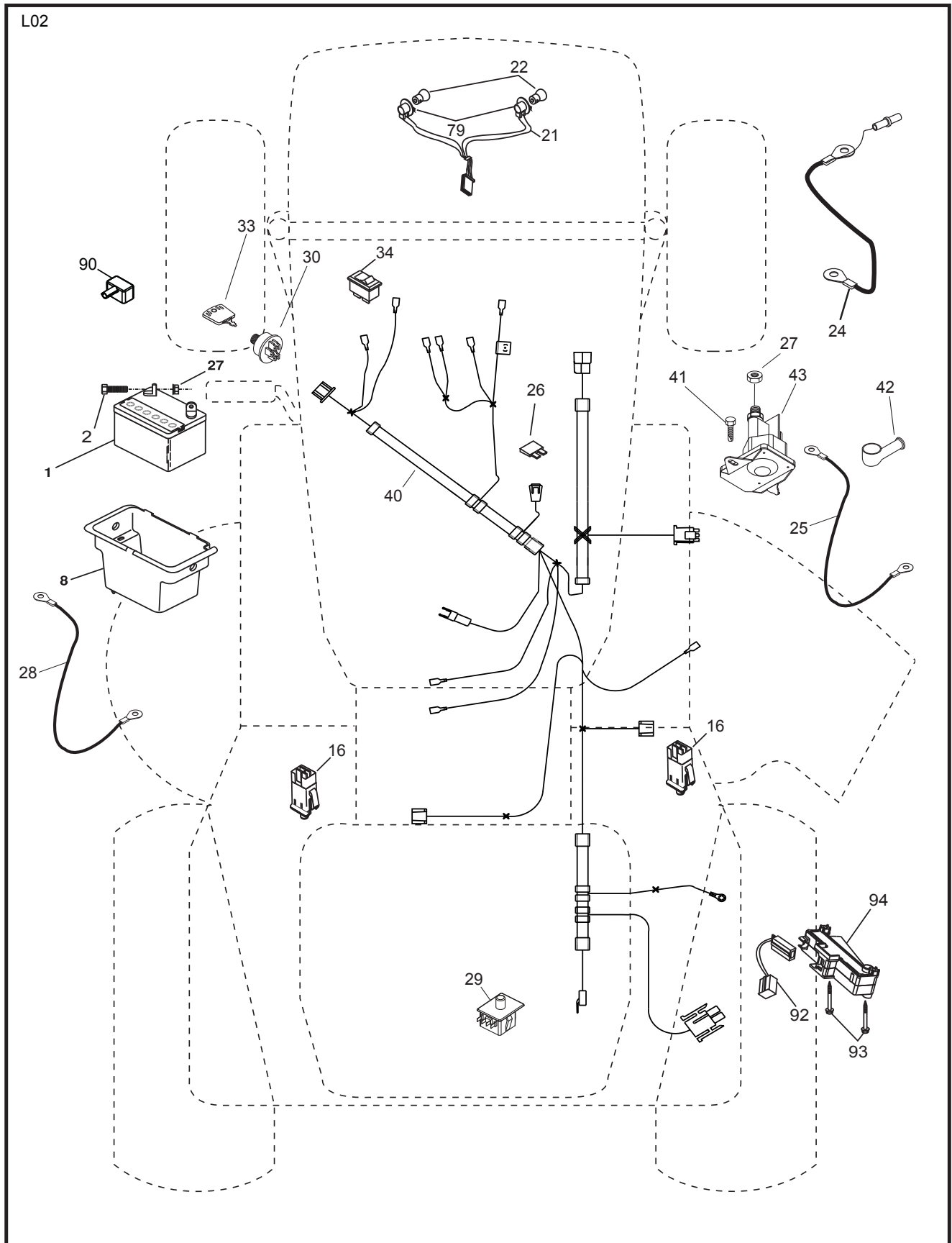
YOUR TRACTOR IS EQUIPPED WITH A SPECIAL ALTERNATOR SYSTEM. THE LIGHTS ARE NOT CONNECTED TO THE BATTERY, BUT HAVE THEIR OWN ELECTRICAL SOURCE. BECAUSE OF THIS, THE BRIGHTNESS OF THE LIGHTS WILL CHANGE WITH ENGINE SPEED. AT IDLE THE LIGHTS WILL DIM. AS THE ENGINE IS SPEEDED UP, THE LIGHTS WILL BECOME THEIR BRIGHTEST.



WIRING INSULATED CLIPS
NOTE: IF WIRING INSULATED CLIPS WERE REMOVED FOR SERVICING OF UNIT, THEY SHOULD BE RE-INSTALLED TO PROPERLY SECURE YOUR WIRING.

REPAIR PARTS

TRACTOR - MODEL NUMBER PO18542LT (96012009000), PRODUCT NO. 960 12 00-90
ELECTRICAL



REPAIR PARTS

TRACTOR - MODEL NUMBER PO18542LT (96012009000), PRODUCT NO. 960 12 00-90
ELECTRICAL

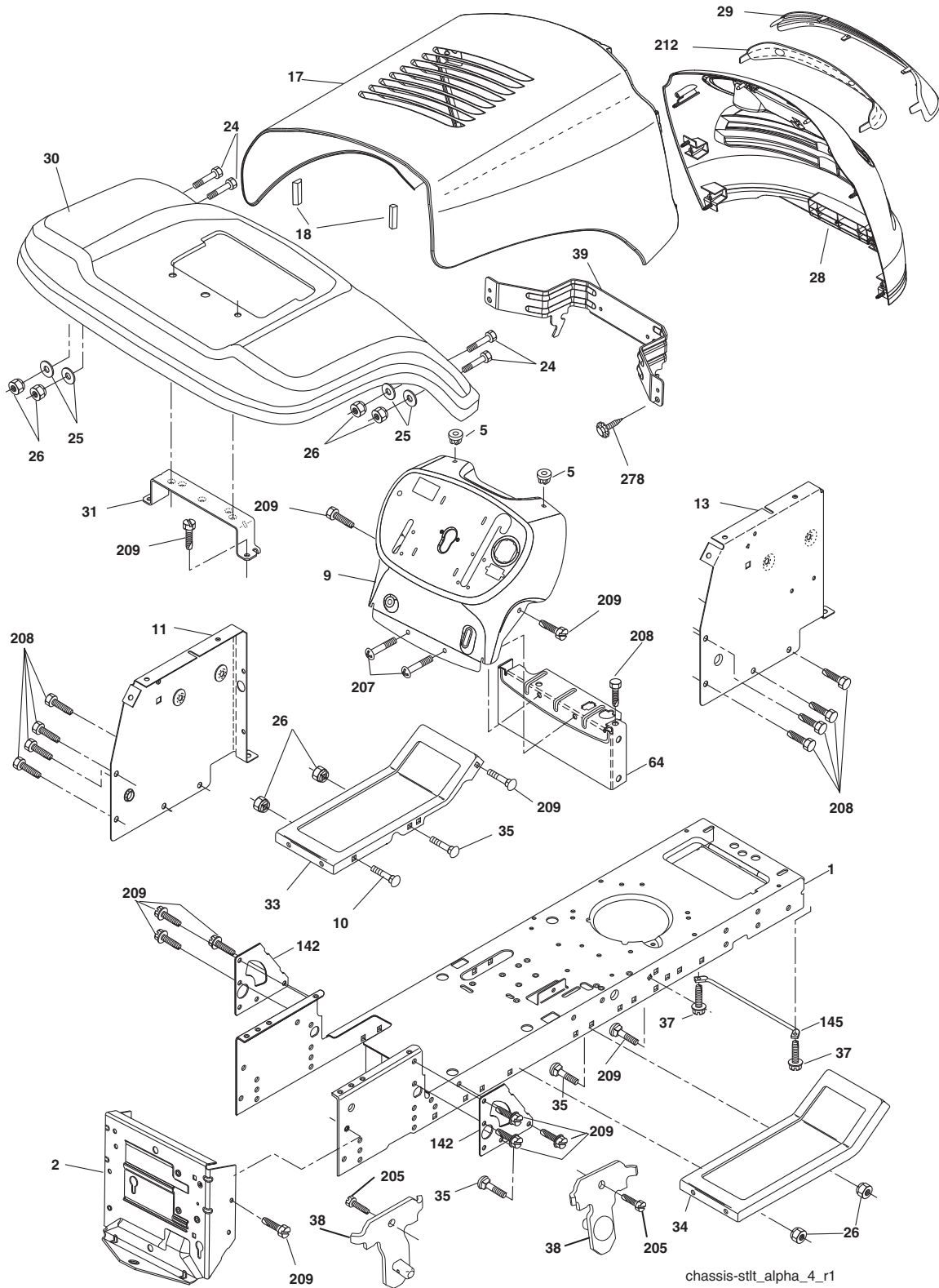
KEY NO.	PART NO.	DESCRIPTION
1	163465	Battery
2	74760412	Bolt Hex Hd 1/4-20 unc x 3/4
8	176689	Box Battery
16	176138	Switch Interlock
21	175688	Harness Asm Light w/4152j
22	4152J	Bulb Light #1156
24	421299	Cable Battery 6 Ga. 11" Red
25	421297	Cable Battery
26	175158	Fuse 20 AMP
27	73510400	Nut Keps Hex 1/4-20 unc
28	421298	Cable Ground 6 Ga. 12" Black
29	192749	Switch Seat
30	193350	Switch Ign
33	411935	Key/Chain
34	110712X	Switch Light/Reset
40	197428	Harness Ign
41	71110408	Bolt Blk Fin Hex 1/4-20
42	131563	Cover Terminal Red
43	192507	Solenoid
79	175242	Socket Asm. Bulb Twistlock
90	180449	Cover Terminal Battery
92	196615	Harness Pigtail
93	192540	Screw Plastite 10-14 x 2.0
94	191834	Module Reverse ROS

NOTE: All component dimensions given in U.S. inches
1 inch = 25.4 mm.

REPAIR PARTS

TRACTOR - MODEL NUMBER PO18542LT (96012009000), PRODUCT NO. 960 12 00-90

CHASSIS



REPAIR PARTS

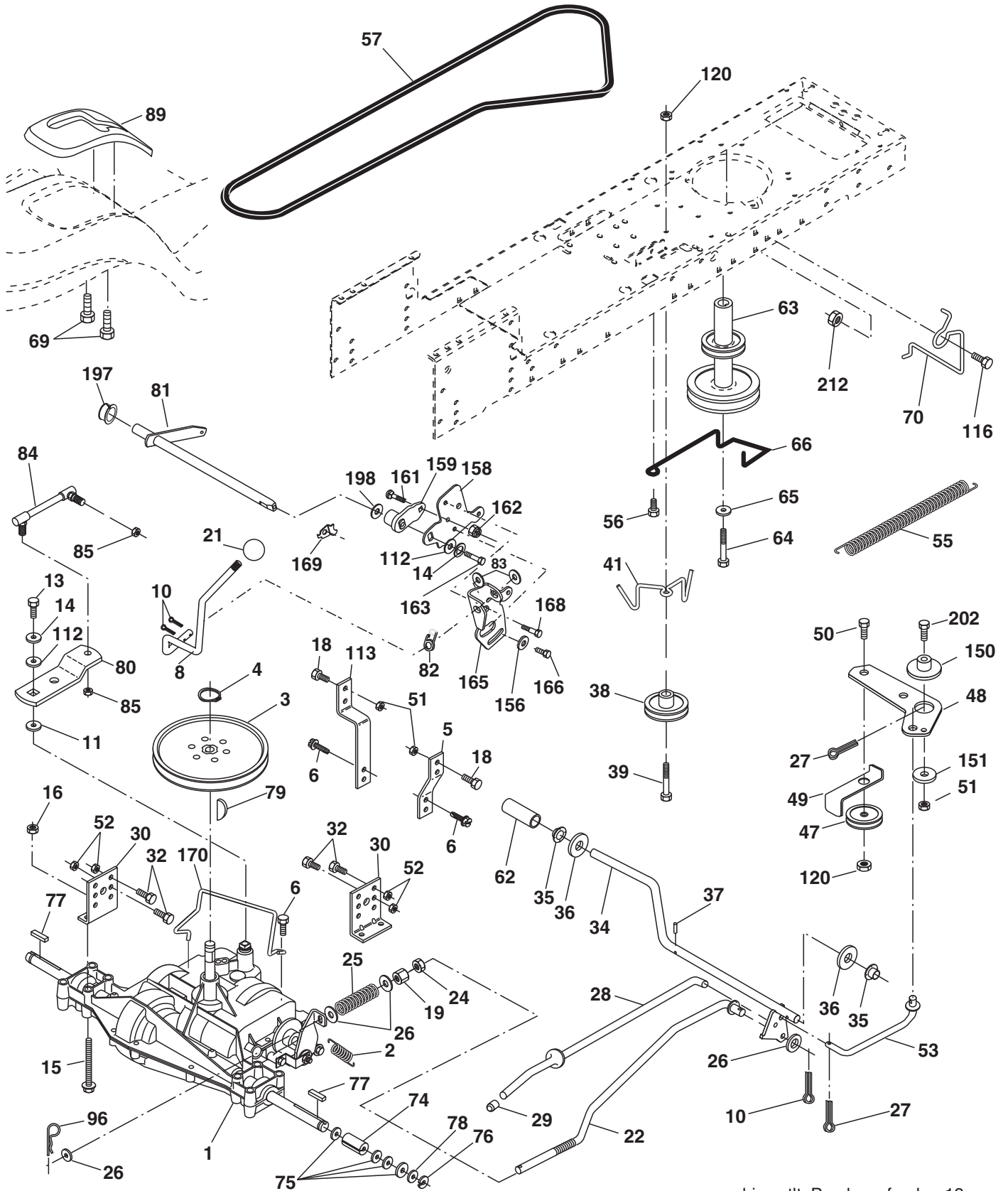
TRACTOR - MODEL NUMBER PO18542LT (96012009000), PRODUCT NO. 960 12 00-90
CHASSIS

KEY NO.	PART NO.	DESCRIPTION
1	174619	Chassis
2	176554	Drawbar, Stretch
5	155272	Bumper, Hood/Dash
9	193510X010	Dash
10	72140608	Bolt, Carriage 3/8-16 x 1
11	174996	Panel Dash LH
13	172105X010	Panel Silkscr Dash RH
17	187559X428	Hood
18	184921	Bumper Hood
24	74780616	Bolt Fin Hex 3/8-16 unc x 1 Gr. 5
25	19131312	Washer 13/32 x 13/16 x 12 Ga.
26	73800600	Nut Lock Hex w/Ins 3/8-16 unc
28	187598	Grille/Lens Asm. (Include Key Nos. 29 and 212)
29	187567X599	Lens Grille Bar
30	192526X428	Fender
31	136619	Bracket Fender Repl 109873X
33	179716X428	Footrest Pnt LH
34	179717X428	Footrest Pnt RH
35	72110606	Bolt Rdhd Sht Sqnk 3/8-16 x 3/4
37	17490508	Screw Thdrol 5/16-18 x 1/2 TYT
38	175710	Bracket Asm. Pivot Mower
39	187568	Bracket Pivot
64	154798	Dash Lower
142	175702	Plate Reinforcement
145	409167	Rod Pivot Chassis/Hood
205	17490608	Screw Thdrol 3/8-16 x 1/2
207	17670508	Screw 5/16-18 x 1/2
208	17670608	Screw Thdrol 3/8-16 x 1/2
209	17000612	Screw Hex Wsh Thdrol 3/8-16
212	187569	Insert Lens Reflect
278	416358	Screw #10 x 0.750 BOS Thread
---	5479J	Plug Button Blk 359 Dia Choke
--	187801	Plug Dome Plastic

NOTE: All component dimensions given in U.S. inches
1 inch = 25.4 mm.

REPAIR PARTS

TRACTOR - MODEL NUMBER PO18542LT (96012009000), PRODUCT NO. 960 12 00-90
DRIVE



drive-stlt_Peerless_fender_13

REPAIR PARTS

TRACTOR - MODEL NUMBER PO18542LT (96012009000), PRODUCT NO. 960 12 00-90
DRIVE

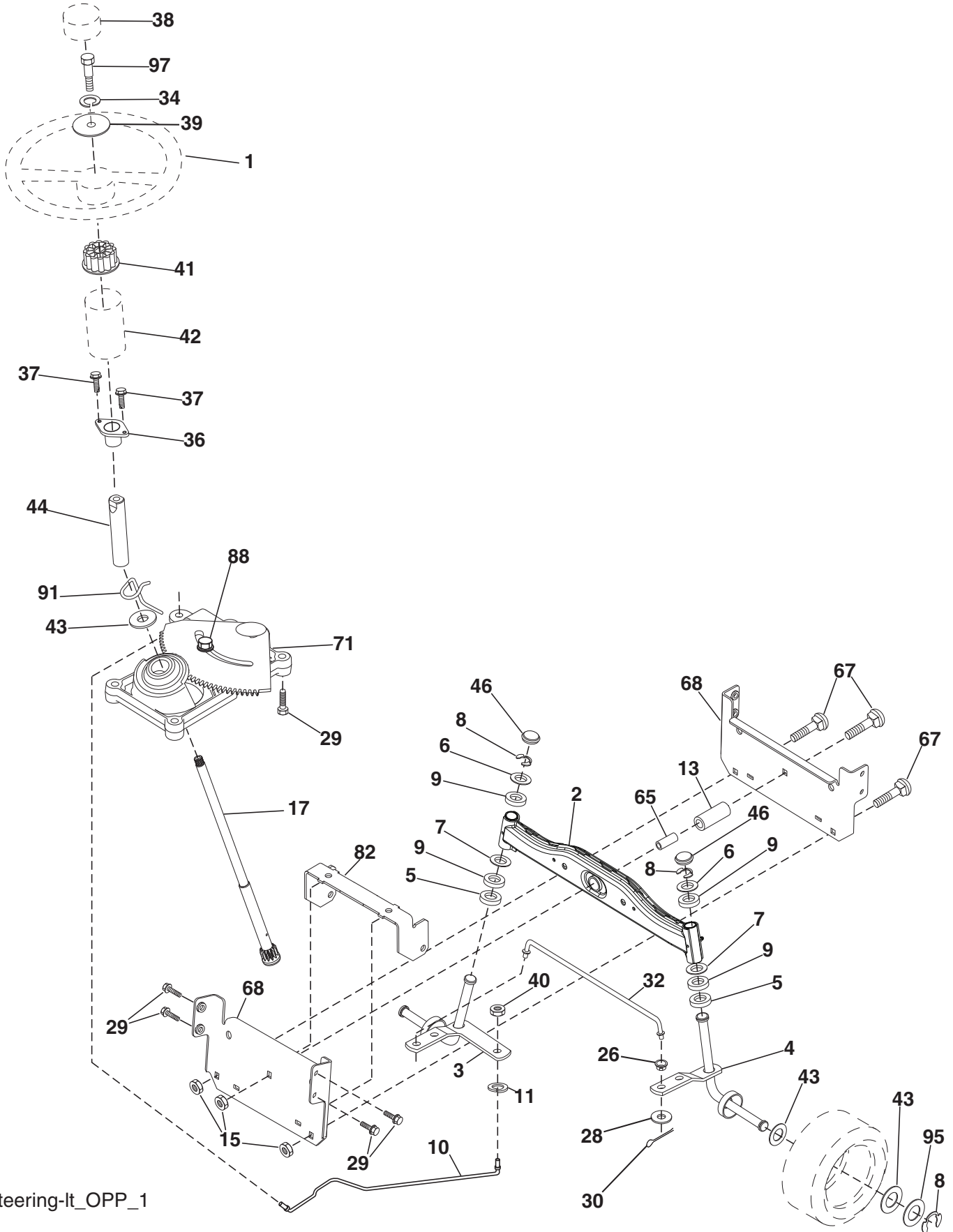
KEY NO.	PART NO.	DESCRIPTION	KEY NO.	PART NO.	DESCRIPTION
1	-----	Transaxle Peerless 206-545C	65	10040700	Washer Lock Hvy Hlcl Spr 7/16
2	146682	Spring Return Brake T/a Zinc	66	154778	Keeper Belt Engine Foolproof
3	123666X	Pulley Transaxle 18" Tires	69	142432	Screw Hex wsh HiLo 1/4 x 1/2 unc
4	12000028	Ring Retainer # 5100-62	70	134683	Guide Belt Mower Drive RH
5	121520X	Strap Torque 30 Degrees	74	137057	Spacer Axle
6	17060512	Screw 5/16-18 x 3/4	75	121749X	Washer 25/32 x 1 1/4 x 16 Ga.
8	192706	Rod Shift Fender Adjust Lt	76	12000001	E-ring #5133-75
10	76020416	Pin Cotter 1/8 x 1 Cad	77	123583X	Key Square 2 0 x 1845/ 1865
11	105701X	Washer Plate Shf 388 Sq Hole	78	121748X	Washer 25/32 x 1-5/8 x 16 Ga.
13	74550412	Bolt 1/4-28 unf Gr. 8 w/Patch	79	2228M	Key Woodruff #9 3/16 x 3/4
14	10040400	Washer Lock Hvy Helical	80	131486	Arm Shift
15	74490544	Bolt Hex FLGHD 5/16-18 Gr. 5	81	165594	Shaft Asm Cross Tapered PMST/20
16	73800500	Nut Lock Hex w/ins 5/16-18	82	165711	Spring Torsion T/a
18	74780616	Bolt, Fin Hex 3/8-16 unc x 1 Gr. 5	83	19171216	Washer 17/32 x 3/4 x 16 Ga.
19	73800600	Nut Lock 3/8-16 unc	84	166228	Link Transaxle
21	106933X	Knob	85	150360	Nut Lock Center 1/4 - 28 FNTHD
22	130804	Rod Brake Blk Zinc 26 840	89	192053X428	Console Shift STLT
24	73350600	Nut Hex Jam 3/8-16 unc	96	4497H	Retainer Spring 1"
25	106888X	Spring Rod Brake 2 00 Zinc	112	19091210	Washer 9/32 x 3/4 x 10 Ga.
26	19131316	Washer 13/32 x 13/16 x 16 Ga.	113	127285X	Strap Torque LT
27	76020412	Pin Cotter 1/8 x 3/4 Cad	116	72140608	Bolt Rdhd Sq Neck 3/8-16 x 1
28	175765	Rod Brake Parking LT/YT	120	73900600	Nut Lock Fig. 3/8-16 unc
29	71673	Cap Brake Parking	150	175456	Spacer Retainer
30	174973	Bracket Mtg Transaxle	151	19133210	Washer 13/32 x 2 x 10
32	74760512	Bolt Hex Hd 5/16-18 unc x 3/4	156	166002	Washer Srrted 5/16ID x 1.125
34	175578	Shaft Asm Pedal Foot	158	165589	Bracket Shift Mount
35	120183X	Bearing Nylon Blk 629 Id	159	183900	Hub Tapered Flange Shift Lt
36	19211616	Washer 21/32 x 1 x 16 Ga.	161	72140406	Bolt Rdhd Sqnk 1/4-20 x 3/4
37	1572H	Pin Roll 3/16 x 1"	162	73680400	Nut Crownlock 1/4-20 unc
38	179114	Pulley Composite Flat	163	74780416	Bolt Hex Fin 1/4-20 unc x 1 Gr. 5
39	72110622	Bolt RDHD 3/8-16 unc x 2-3/4 Gr. 5	165	165623	Bracket Pivot Lever
41	175556	Keeper Belt Flat Idler	166	17490510	Screw 5/16-18 x 5/8
47	127783	Pulley Idler V Groove Plastic	168	165492	Bolt Shoulder 5/16-18 x .561
48	154407	Bellcrank Asm	169	165580	Plate Fastening
49	123205X	Retainer Belt Style Spring	170	187414	Keeper Belt Transaxle Gear
50	72110612	Bolt Carr. Sh. 3/8-16 x 1-1/2 Gr. 5	197	169613	Nyliner Snap-In
51	73680600	Nut Crownlock 3/8-16 unc	198	169593	Washer Nyliner
52	73680500	Nut Crownlock 5/16-18 unc	202	72110614	Bolt RdHd 3/8-16 unc x 1-3/4 Gr. 5
53	199652	Link Clutch	212	145212	Nut Hexflange Lock
55	105709X	Spring Return Clutch 6 75			
56	17060620	Screw 3/8-16 x 1-1/4			
57	138255	V-Belt Ground Drive			
62	8883R	Cover Pedal Blk Round			
63	175410	Engine Pulley			
64	173937	Bolt Hex			

NOTE: All component dimensions given in U.S. inches
1 inch = 25.4 mm

REPAIR PARTS

TRACTOR - MODEL NUMBER PO18542LT (96012009000), PRODUCT NO. 960 12 00-90

STEERING



Steering-It_OPP_1

REPAIR PARTS

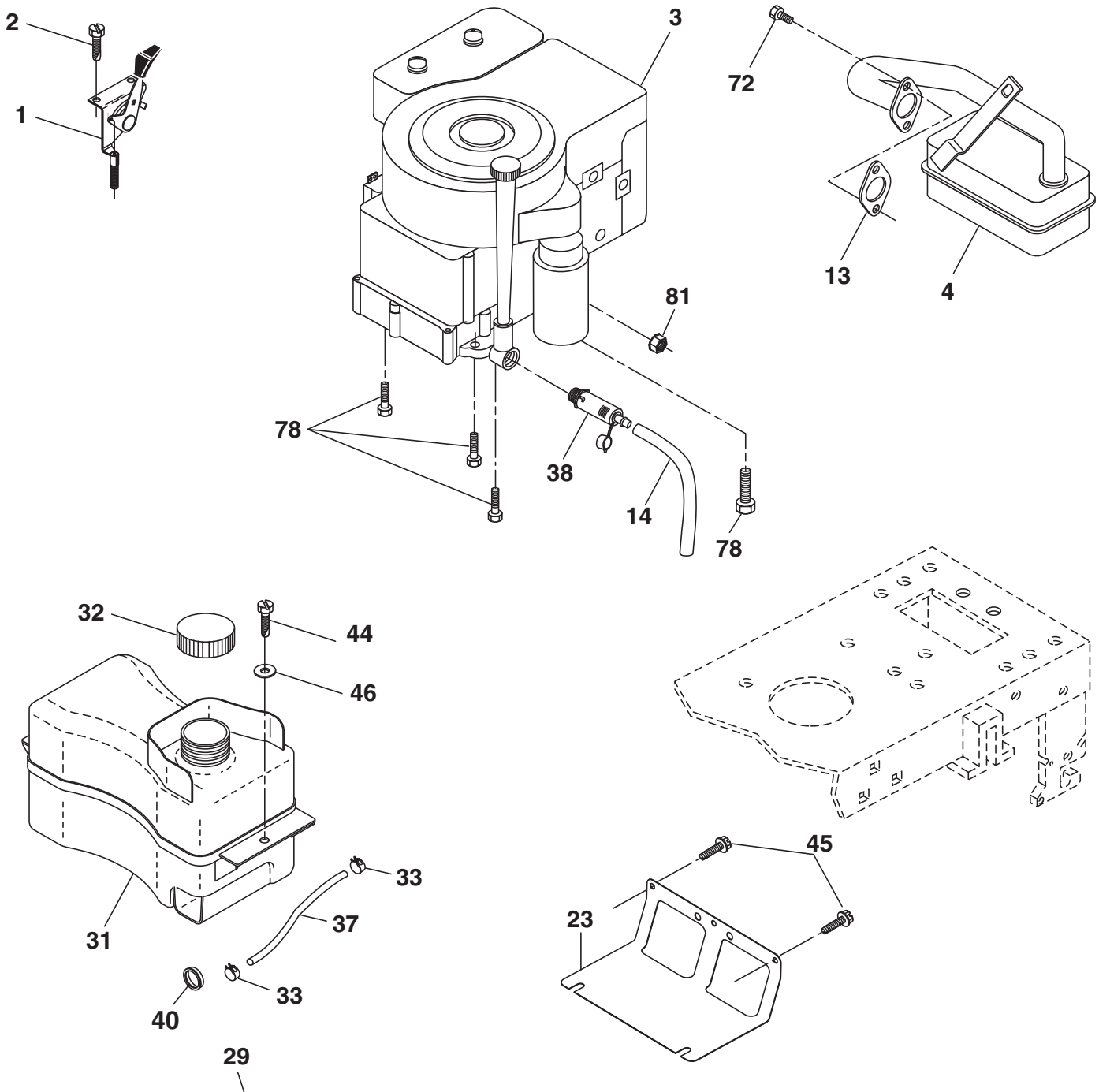
TRACTOR - MODEL NUMBER PO18542LT (96012009000), PRODUCT NO. 960 12 00-90
STEERING

KEY NO.	PART NO.	DESCRIPTION
1	186780	Wheel Steering
2	418168	Axle Asm
3	169840	Spindle Asm LH
4	169839	Spindle Asm RH
5	6266H	Bearing Race Thrust Harden
6	121748X	Washer 25/32 x 1-5/8 x 16 Ga.
7	19272016	Washer 27/32 x 1-1/4 x 16 Ga.
8	12000029	Ring Klip #t5304-75
9	3366R	Bearing Col Strg Blk
10	175121	Link Drag
11	10040600	Washer Lock Hvy Hlcl Spr 3/8
13	136518	Spacer Brace Axle
15	145212	Hexflange Lock
17	411386	Shaft Asm Strg
26	126847X	Bushing Link Drag Blk LR
28	19131416	Washer 13/32 x 7/8 x 16 Ga.
29	17000612	Screw 3/8-16 x 3/4
30	76020412	Pin Cotter 11/32 ID x 2 3/8 OD x 12 Ga.
32	192757	Rod Tie Wire Form 19 75 Mech
34	10040500	Washer Lock 5/16
36	155099	Bushing Strg 5/8 Id Dash
37	152927	Screw
38	192916	Cap Wheel Steer
39	19113812	Washer 11/32 x 2 3/8 OD x 12 Ga.
40	73540600	Nut Crownlock 3/8-24
41	186737	Adaptor Wheel Strg
42	145054X428	Boot Dash Mtl Steering Blk
43	121749X	Washer 25/32 x 1 1/4 x 16 Ga.
44	190752	Extension Steering
46	121232X	Cap Spindle Fr Top Blk
65	414736	Spacer Brace Axle
67	72110618	Bolt RDHD SQNK 3/8-16 x 2-1/4
68	169827	Brace Axle
71	175146	Steering Asm.
82	199978	Bracket Susp Chassis Front
88	175118	Bolt Shoulder 7/16-20
91	175553	Clip Steering
95	188967	Washer Harden .793 x 1.637 x 060
97	74780564	Bolt 5/16-18 x 4 Gr.5

NOTE: All component dimensions given in U.S. inches
1 inch = 25.4 mm.

REPAIR PARTS

TRACTOR - MODEL NUMBER PO18542LT (96012009000), PRODUCT NO. 960 12 00-90
ENGINE



OPTIONAL EQUIPMENT
Spark Arrester

engine-stlt_bs_9

REPAIR PARTS

TRACTOR - MODEL NUMBER PO18542LT (96012009000), PRODUCT NO. 960 12 00-90
ENGINE

KEY NO.	PART NO.	DESCRIPTION
1	170551	Control Th/ch Flag
2	17720408	Screw Hex Thd Cut 1/4-20 x 1/2
3	-----	Engine, B&S 31N707
4	137352	Muffler Exhaust B&S
13	165291	Gasket Eng 1 313 Id Tin Plated
14	148456	Tube Drain Oil Easy
23	169837	Shield BRN/DBR Guard
29	137180	Kit Spark Arrestor (Flat Scrn)
31	407516	Tank Fuel Front
32	197725	Cap Asm Fuel
33	123487X	Clamp Hose
37	401137	Line Fuel
38	181654	Plug Drain Oil
40	124028X	Bushing Snap Nyl Blk Fuel Line
44	17670412	Screw Thdrol 1/4-20 x 3/4
45	17000612	Screw Hex Wsh Thdrol 3/8-16
46	19091416	Washer 9/32 x 7/8 x 16 Ga.
72	192334	Screw Socket Head 5/16-18 x 3/4
78	17060620	Screw 3/8-16 x 1-1/4
81	73510400	Nut Keps Hex 1/4-20 unc

NOTE: All component dimensions given in U.S. inches
1 inch = 25.4 mm

For engine service and replacement parts, call the toll free
number for your engine manufacturer listed below:

Briggs & Stratton 1-800-233-3723

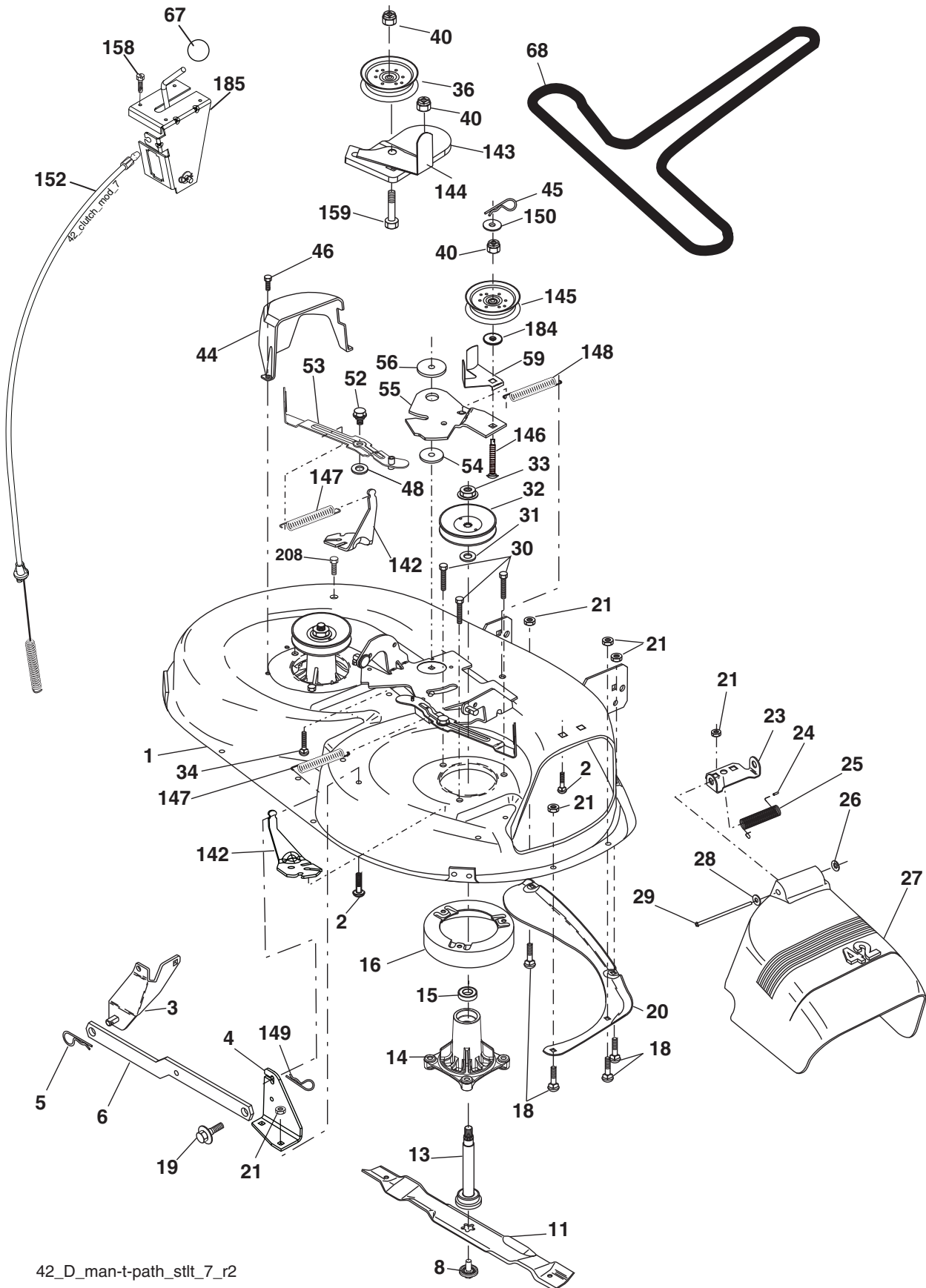
Engine Power Rating Information

The gross power rating for individual gas engine models is labeled in accordance with SAE (Society of Automotive Engineers) code J11940 (Small Engine Power & Torque Rating Procedure), and rating performance has been obtained and corrected in accordance with SAE J1995 (Revision 2002-5). Actual gross engine power will be lower and is affected by, among other things, ambient operating conditions and engine-to-engine variability. Given both the wide array of products on which engines are placed and the variety of environmental issues applicable to operating the equipment, the gas engine will not develop the rated gross power when used in a given piece of power equipment (actual "on-site" or net horsepower). This difference is due to a variety of factors including, but not limited to, accessories (air cleaner, exhaust, charging, cooling, carburetor, fuel pump, etc.), application limitations, ambient operating conditions (temperature, humidity, altitude), and engine-to-engine variability. Due to manufacturing and capacity limitations, Briggs & Stratton may substitute an engine of higher rated power for this Series engine.

REPAIR PARTS

TRACTOR - MODEL NUMBER PO18542LT (96012009000), PRODUCT NO. 960 12 00-90

MOWER DECK



42_D_man-t-path_stlt_7_r2

REPAIR PARTS

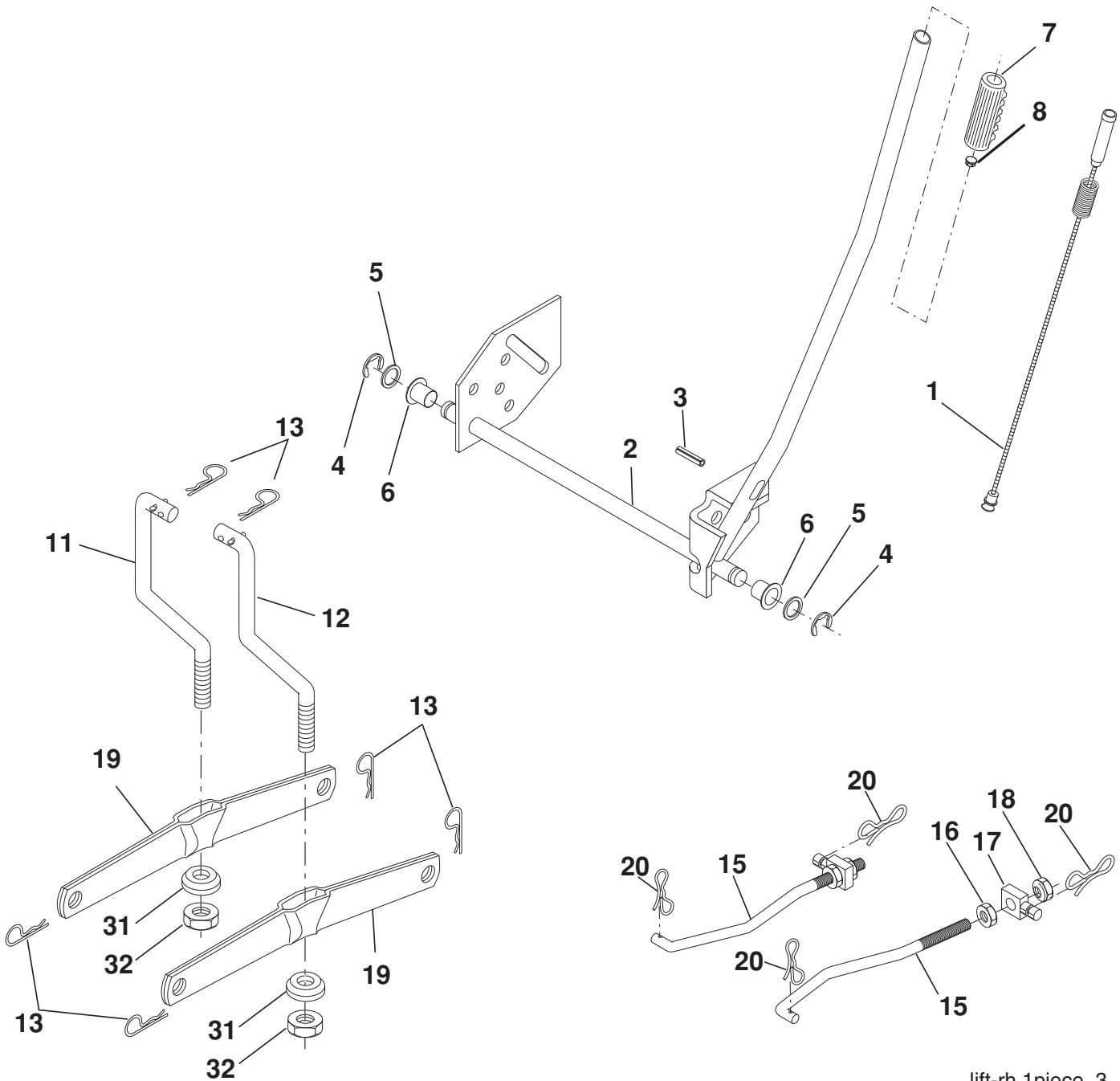
TRACTOR - MODEL NUMBER PO18542LT (96012009000), PRODUCT NO. 960 12 00-90
MOWER DECK

KEY NO.	PART NO.	DESCRIPTION	KEY NO.	PART NO.	DESCRIPTION
1	165892	Mower Deck Assembly, 42"	44	140088	Guard, Mandrel, LH
2	72140506	Bolt	45	4497H	Retainer
3	138017	Bracket Asm Fr. Sway Bar 3/42	46	137729	Screw, Thdrol 1/4-20 x 5/8 T
4	165460	Bracket Asm Deck 42" Sway Bar	48	133944	Washer, Hardened
5	4939M	Retainer Spring	52	139888	Bolt, Shoulder 5/16-18 unc
6	178024	Bar Sway Deck	53	184907	Arm Assembly, Pad, Brake
8	193003	Bolt/Washer Asm. 7/16-20 unf (The following Blades are available)	54	178515	Washer, Hardened
11	138971	Blade Mower 42" Hi-Lift (for bagging and discharging)	55	155046	Arm, Idler
--	134149	Blade, Mulching 42" Std (for mulching mowers only)	56	165723	Spacer, Retainer
--	139775	Blade Mulching 42" Premium (For better wear when mulching)	59	141043	Guard TUV Idler
13	192872	Shaft Asm. Mandrel	67	106932X	Knob Round
14	187281	Housing Mandrel	68	144959	V-Belt, 42" Mower
15	110485X	Bearing, Ball, Mandrel	142	195784	Anchor Spring Brake Mower
16	174493	Stripper, Mandrel Deck	143	157109	Bracket Arm Idler 42"
18	72140505	Bolt, Carriage 5/16-18 x 5/8	144	158634	Keeper Belt 42" Clutch Cable
19	132827	Bolt, Shoulder	145	165888	Pulley Idler Flat
20	159770	Baffle, Vortex	146	171977	Bolt Carriage Idler
21	73680500	Nut	147	131335	Spring Extension
23	177563	Bracket, Deflector Mower 42"	148	169022	Spring Return Idler
24	105304X	Cap, Sleeve 80 x 112 Blk Mower	149	165898	Retainer Spring Yellow
25	123713X	Spring, Torsion, Deflector 2 52	150	19091210	Washer 9/32 x 3/4 x 10 Ga.
26	110452X	Nut, Push Phos & Oil	152	169676	Clutch Cable 42"
27	130968X428	Shield, Deflector 42" Blk	158	17720408	Screw Hex Thd Cut 1/4-20 x 1/2
28	19111016	Washer 11/32 x 5/8 x 16 Ga.	159	72140614	Bolt Rdhd Sqn 3/8-16 unc x 1-3/4
29	131491	Rod, Hinge 42" 6 75 w/G	184	19131410	Washer 13/32 x 7/8 x 10 Ga.
30	173984	Screw Thdrol	185	188234	Head Asm Cable Clutch
31	187690	Washer, Spacer Mower Vented	208	17670608	Screw 3/8-16 x 1/2
32	153535	Pulley, Mandrel	--	192870	Mandrel Assembly (Includes housing, shaft assembly, and bearing only - pulley/nut/washer and blade bolt/washers not included)
33	400234	Nut, Toplock	--	418031	Replacement Mower, Complete
34	72110612	Bolt Carr SH 3/8-16 x 1-1/2 Gr.5			
36	131494	Pulley, Idler, Flat			
40	73900600	Nut Lock 3/8-16			

NOTE: All component dimensions given in U.S. inches
1 inch = 25.4 mm

REPAIR PARTS

TRACTOR - MODEL NUMBER PO18542LT (96012009000), PRODUCT NO. 960 12 00-90
MOWER LIFT



lift-rh.1piece_3

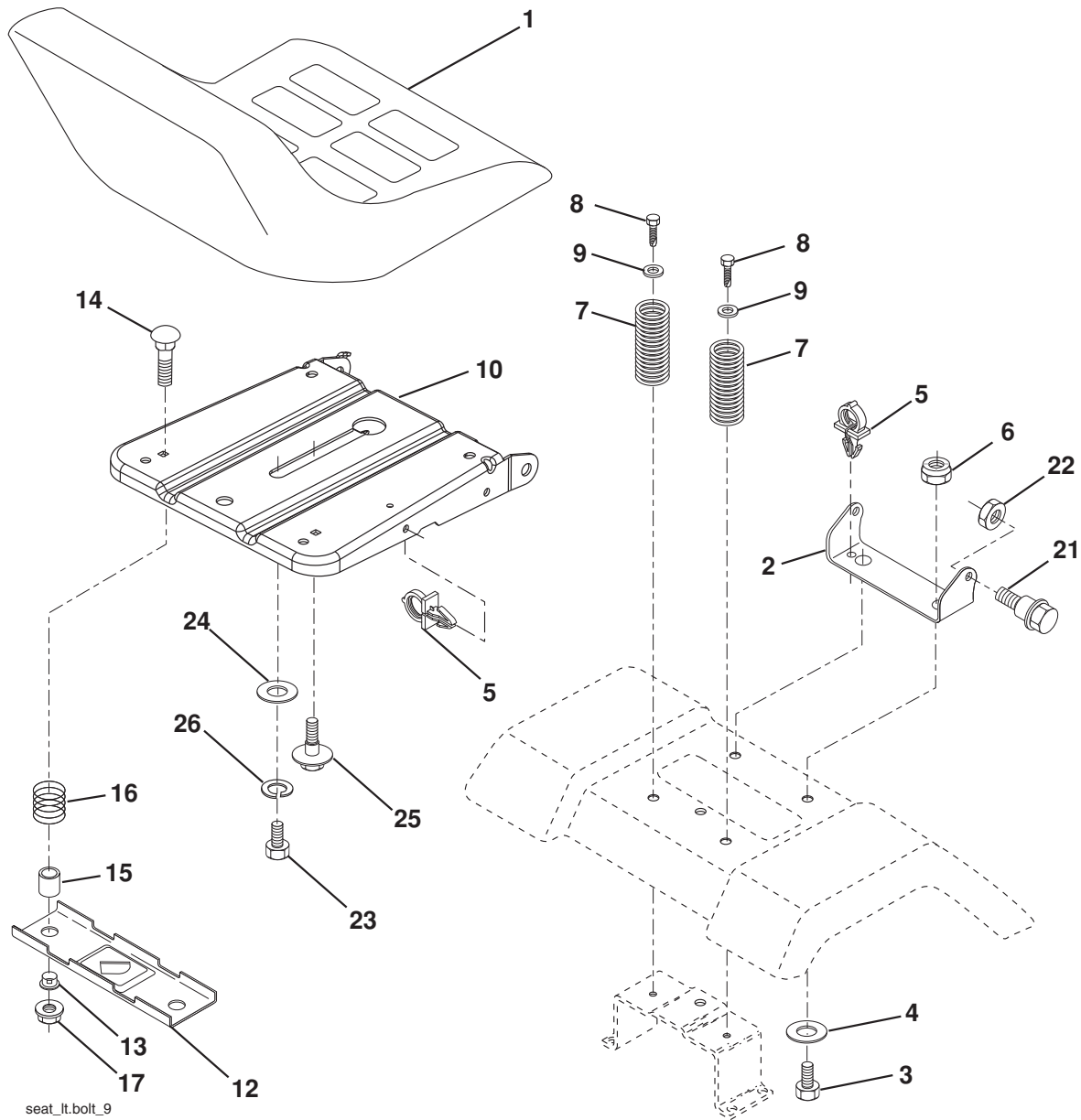
KEY NO.	PART NO.	DESCRIPTION
1	404981	Plunger Asm Lift Lever
2	159471	Shaft Asm Lift RH
3	105767X	Pin Groove 1 500 Zinc
4	12000002	E Ring #5133-62
5	19211621	Washer 21/32 x 1 x 21 Ga.
6	120183X	Bearing Nylon Blk 629 Id
7	125631X	Grip Handle
8	124526X	Button Plunger Black
11	139865	Link Lift LH Fixed Length
12	139866	Link Lift RH Fixed Length
13	4939M	Retainer Spring

KEY NO.	PART NO.	DESCRIPTION
15	173288	Link Front
16	73350800	Nut Jam Hex 1/2-13 unc
17	175689	Trunnion
18	73800800	Nut Lock w/Wsh 1/2-13 unc
19	139868	Arm Suspension Rear
20	194209	Pin Cotter 7/16 Bow Tie Lock
31	169865	Bearing Pvt Lift
32	73540600	Nut Crownlock 3/8-24

NOTE: All component dimensions given in U.S. inches
1 inch = 25.4 mm.

REPAIR PARTS

TRACTOR - MODEL NUMBER PO18542LT (96012009000), PRODUCT NO. 960 12 00-90
SEAT



seat_lt.bolt_9

KEY NO.	PART NO.	DESCRIPTION
1	401042	Seat
2	140551	Bracket Seat Pivot
3	71110616	Bolt Hex 3/8 - 16 x 1
4	19131610	Washer 13/32 x 1 x 10 Ga.
5	145006	Clip Push-In Hinged
6	73800600	Nut Lock Hex w/Ins 3/8 - 16
7	124181X	Spring Seat Cprsn 2 250 Blk Zi
8	17000616	Screw 3/8-16 x 1.5
9	19131614	Washer 13/32 x 1 x 14 Ga.
10	195530	Pan Pnt Seat
12	174648	Bracket Pnt Mounting Switch
13	121248X	Bushing Snap Blk Nyl
14	72050412	Bolt Rdhd Sht Nk 1/4 - 20 x 1 -1/2

KEY NO.	PART NO.	DESCRIPTION
15	134300	Spacer Split .28 x .96
16	121250X	Spring Cprsn
17	123976X	Nut Lock 1/4 Lge Flg
21	171852	Bolt Shoulder 5/16-18 unc-2A
22	73800500	Nut Lock Hex w/Ins 5/16 - 18
23	71110814	Bolt Hex
24	19171912	Washer 17/32 x 1-3/16 x 12 Ga.
25	127018X	Bolt Shoulder 5/16-18 x .62
26	10040800	Washer Lock Hvy Hlcl Spr 1/2

NOTE: All component dimensions given in U.S. inches
1 inch = 25.4 mm.

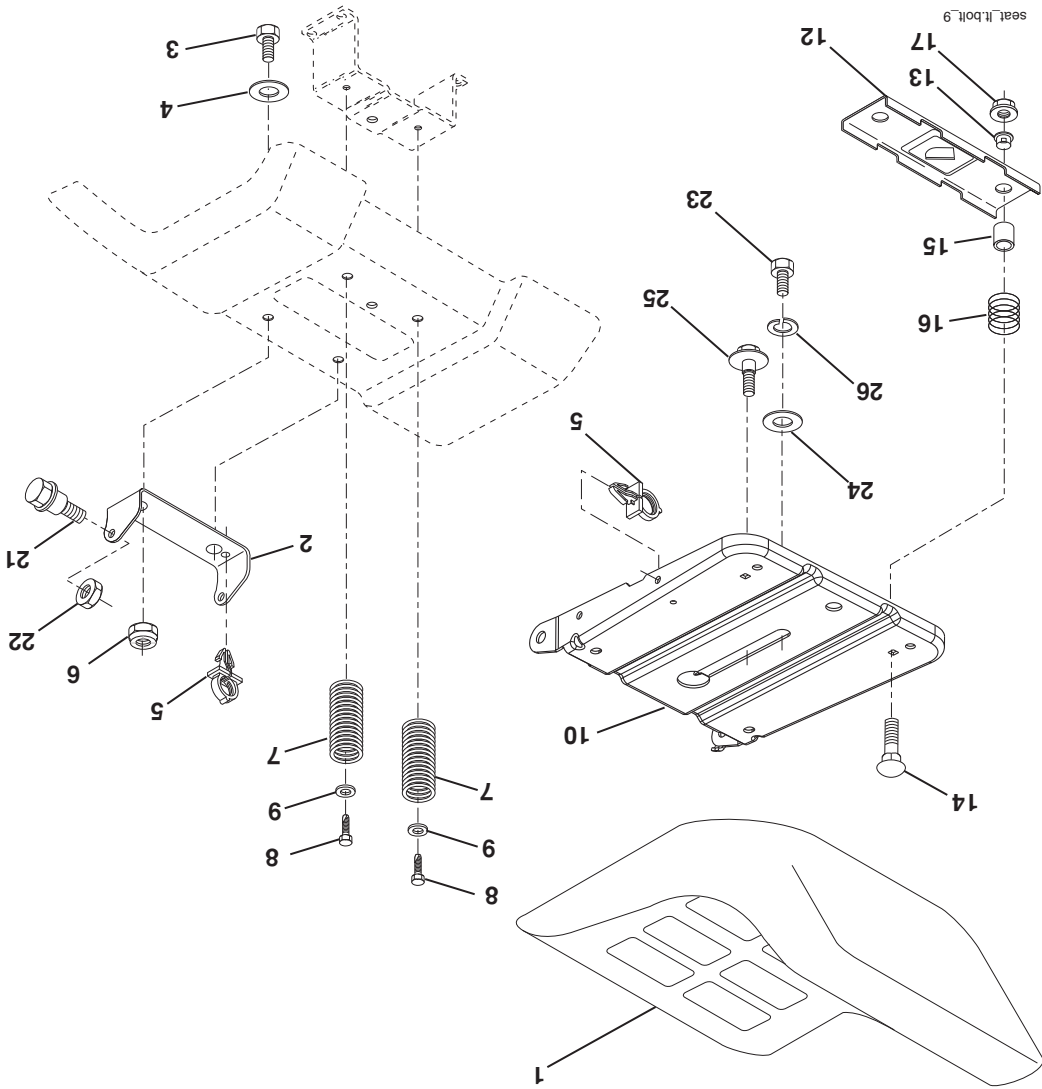
SERVICE NOTES

REMARQUES D'ENTRETIEN

PIÈCES DE RECHANGE

TRACTEUR - - NO. DE MODELE PO18542LT (9601200900), NO. DE PRODUIT 960 12 00-90

ENSEMBLE DU SIÈGE



NO. DE PIÈCE	DESCRIPTION
1	Siège
2	Support de pivot de siège
3	Boulon
4	Rondelle 13/32 x 3/4 x 10 Ja.
5	Collier pressé
6	Ecrou
7	Ressort de compression de siège
8	Vis 3/8-16 x 1,5
9	Rondelle 13/32 x 1 x 14 Ja.
10	Cuvette de siège
12	Support de montage de l'interrupteur
13	Douille de bouton-pression
14	Boulon de chariot 1/4-20 x 1-1/2
17	seal, li.boit_9
72050412	

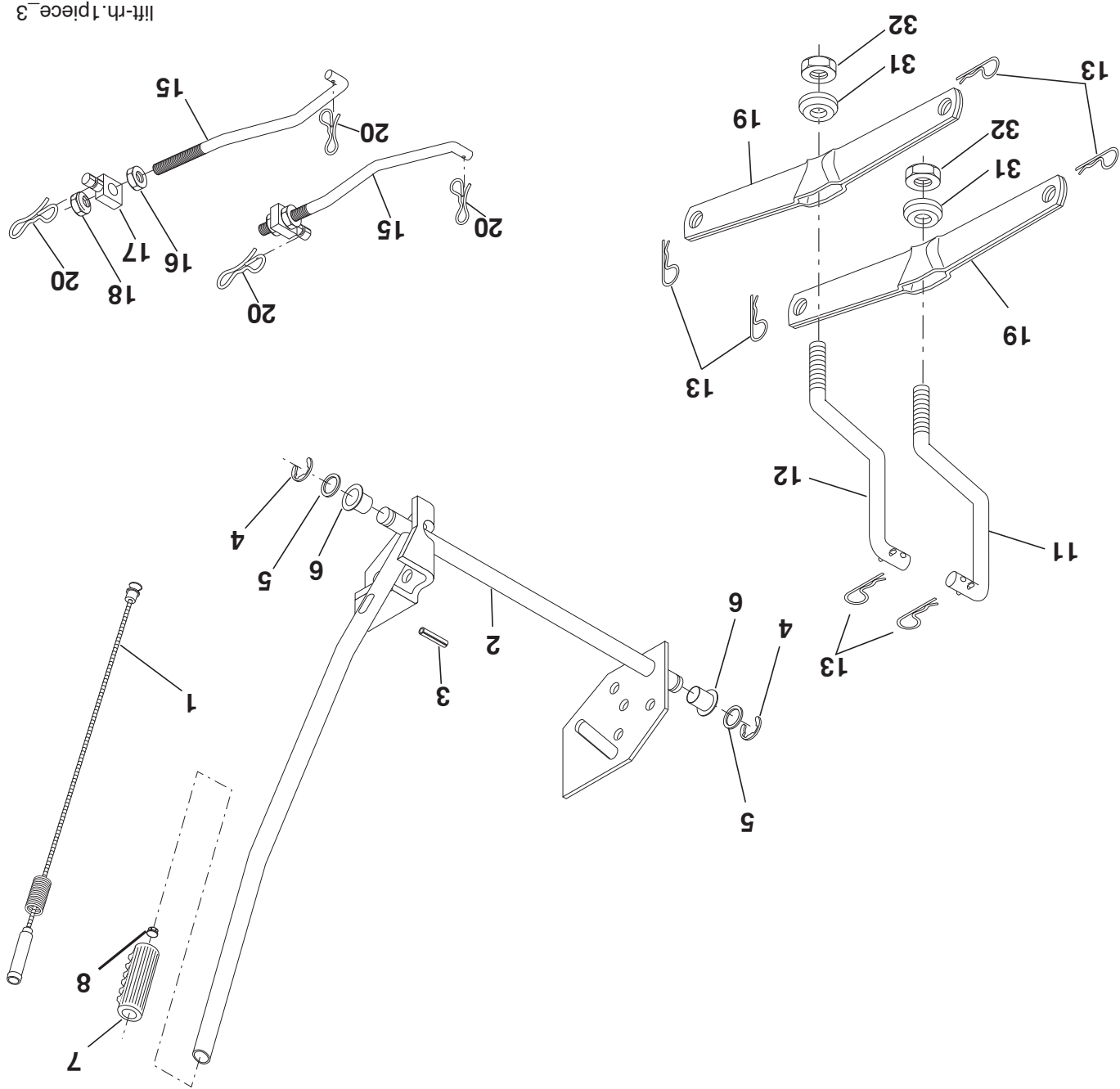
NO. DE PIÈCE	DESCRIPTION
15	Entretoise fendue
16	Ressort de compression
17	Ecrou frein à bride grande 1/4 Cat. 5
21	Boulon à épaulement 5/16-18 unc-2A
22	Ecrou
23	Boulon H
24	Rondelle 17/32 x 1-3/16 x 12 Ja.
25	Boulon à épaulement 5/16-18 x 62
26	Rondelle frein

NO. DE PIÈCE	DESCRIPTION
15	Entretoise fendue
16	Ressort de compression
17	Ecrou frein à bride grande 1/4 Cat. 5
21	Boulon à épaulement 5/16-18 unc-2A
22	Ecrou
23	Boulon H
24	Rondelle 17/32 x 1-3/16 x 12 Ja.
25	Boulon à épaulement 5/16-18 x 62
26	Rondelle frein

REMARQUE: Toutes les dimensions de composant sont données en pouces E.-U. -- 1 pouce = 25,4 mm.

PIÈCES DE RECHANGE

TRACTEUR - - NO. DE MODÈLE PO18542LT (96012009000), NO. DE PRODUIT 960 12 00-90
LEVAGE DE TONDEUSE



liff-rh.1piece_3

NO. DE PIÈCE	DESCRIPTION	NO. DE PIÈCE	DESCRIPTION
1	404981	1	Ensemble de plongeur de levage de levage
2	159471	2	Ensemble de l'arbre de levage
3	105767X	3	Goupille cannelée
4	12000002	4	Bague en E n°5133-62
5	19211621	5	Rondelle 21/32 x 1 x 21 Ja.
6	120183X	6	Pallier en Nylon
7	125631X	7	Poignée cannelée du levier
8	124526X	8	Bouton de plongeur
11	139866	11	Raccord de levage C.D.
12	139866	12	Raccord de levage C.D.
13	4939M	13	Ressort de retenue

REMARQUE: Toutes les dimensions de composant sont données en pouces E.-U. - - 1 pouce = 25,4 mm.

NO. DE PIÈCE	DESCRIPTION	NO. DE PIÈCE	DESCRIPTION
15	173288	15	Raccord antérieur
16	73350800	16	Contre-écrou H 1/2-13 unc
17	175689	17	Tourillon
18	73800800	18	Écrou frein 1/2-13 unc
19	139868	19	Bras de suspension arrière
20	194209	20	Goupille fendue
31	169865	31	Pallier de pivot de levage
32	73540600	32	Écrou auto-serrant 3/8-24

PIÈCES DE RECHANGE

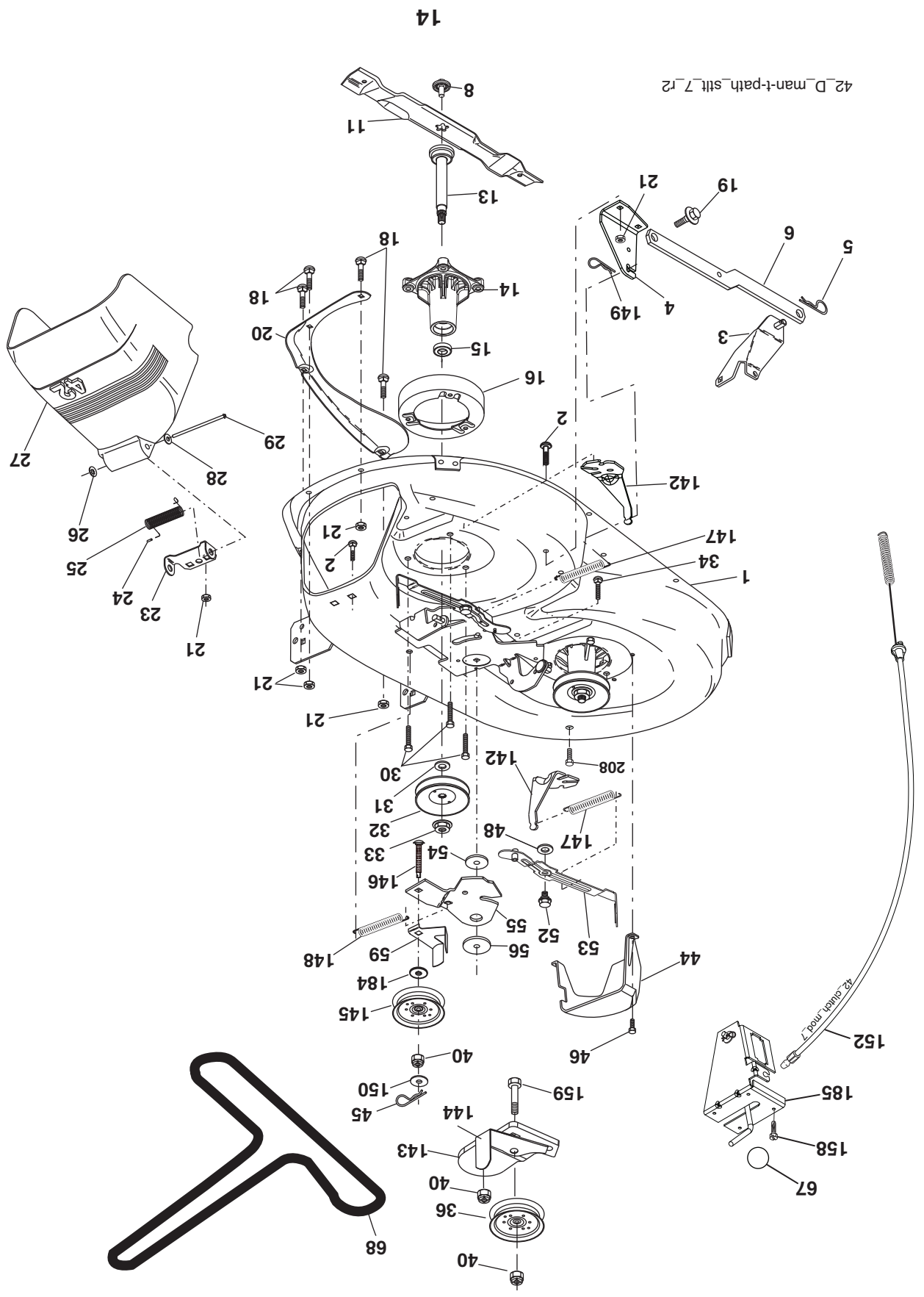
TRACTEUR - - NO. DE MODÈLE PO18542LT (96012009000),NO. DE PRODUIT 960 12 00-90 CARTER DE TONDEUSE

NO. DE PIÈCE	DESCRIPTION	NO. DE PIÈCE	DESCRIPTION
1	165892 Ensemble de carter de tondeuse 42"	33	400234 Ecrou frein
2	72140506 Boulon	34	72110612 Boulon 3/8-16 x 1-1/2 Cat.5
3	138017 Ensemble du support de barre de non	36	131494 Poulie de galet-tendeur plat
4	165460 Ensemble du support de barre de non	40	73900600 Ecrou frein 3/8-16
5	4939M Ressort de retenue	44	140088 Protecteur de mandrin C.G.
6	178024 Barre de balancement	45	4497H Arrêt
8	193003 Boulon / rondelle 7/16-20 unt	46	137729 Vis à filets lamines 1/4-20 x 5/8 T
11	138971 (Les lames suivantes sont disponibles) Lamme de portance élevée 42"/107cm Hi-Lift (pour mettre en sac ou déverser)	52	139888 Boulon à épaulement 5/16-18 unc
--	134149 Lamme déchiqueteuse standard 42"/107cm (pour les tondeuses déchique-	53	184907 Coussin de l'ensemble du levier de frein
--	139775 teuse seulement) Lamme déchiqueteuse de qualité su-	54	178515 Rondelle durcie
13	192872 Ensemble de l'arbre de mandrin	55	155046 Bras de galet-tendeur
14	187281 Boîtier du mandrin	56	165723 Entretien de retenue
15	110485X Roulement à billes du mandrin	59	141043 Protecteur du galet-tendeur TVV
16	174493 Dispositif du courant à air de tondeuse	67	106932X Boulon
18	72140505 Boulon de chariot 5/16-18 x 5/8	68	144959 Courroie trapézoïdale de tondeuse 42"
19	132827 Boulon à épaulement	142	195784 Ressort
20	159770 Ôhricane	143	157109 Support 42"
21	73680500 Ecrou	144	158634 Guide-courroie
23	177563 Support de défecteur de décharge de	145	165888 Poulie du galet-tendeur
24	105304X tondeuse 42"	146	171977 Galet-tendeur
25	123713X Ressort de torsion de défecteur	147	131335 Ressort de traction
26	110452X Rondelle frein	148	169022 Ressort de retenue
27	130968X428 Défecteur de décharge	149	165898 Ressort de retenue
28	19111016 Rondelle 1 1/32 x 5/8 x 16 Ja.	150	19091210 Rondelle 9/32 x 3/4 x 10 Ja.
29	131491 Tige à charnière	152	169676 Câble d'embrayage
30	173984 Vis	158	17720408 Vis H 1/4-20 x 1/2
31	187690 Rondelle d'entretoisement de tondeuse	159	72140614 Boulon 3/8-16 unc x 1-3/4
32	153535 Poulie de mandrin	184	19131410 Rondelle 13/32 x 7/8 x 10
		185	188234 Câble d'embrayage
		208	17670608 Vis 3/8-16 x 1/2
		--	192870 Ensemble du mandrin (Inclut boîtier,
		--	Ensemble de retenue et palier seulement -
		--	poulie/écrou/rondelle et lame, boulon/
		--	rondelle ne pas inclut)
		--	Ensemble du carter de tondeuse complet

REMARQUE: Toutes les dimensions de composant sont données en pouces E.U. --1 pouce = 25,4 mm.

PIÈCES DE RECHANGE

TRACTEUR - - NO. DE MODÈLE PO18542LT (96012009000), NO. DE PRODUIT 960 12 00-90
 CARTER DE TONDEUSE



42_D_man-t-path_silt_7_r2

14

PIÈCES DE RECHANGE

TRACTEUR - - NO. DE MODÈLE PO18542LT (96012009000), NO. DE PRODUIT 960 12 00-90

MOTEUR

NO. DE RÉF.	PIÈCE	DESCRIPTION
1	17051	Commande des gaz
2	17720408	Vis taraudée H 1/4-20 x 1/2
3	-----	Moteur Briggs-No. de modèle 31N707
4	137352	Silencieux d'échappement
13	165291	Garniture
14	148456	Tuyau
23	169837	Pare-chaleur
29	137180	Pare-étincelles
31	407516	Réservoir d'essence
32	197725	Bouchon de réservoir d'essence
33	123487X	Bride de serrage du tuyau
37	401137	Conduite d'essence
38	181654	Bouchon de vidange d'huile
40	124028X	Douille de bouton-pression
44	17670412	Vis à tête rondelle à filets laminés H 1/4-20 x 3/4
45	1700612	Vis H 3/8-16
46	19091416	Rondelle 9/32 x 7/8 x 16 Ja.
72	192334	Vis 5/16-18 x 3/4
78	17060602	Vis 3/8-16 x 1-1/4
81	73510400	Ecrou H 1/4-20 unc

REMARQUE: Toutes les dimensions de composant sont données en pouces E.-U. — 1 pouce = 25,4 mm.

Pour des pièces de service et de rechange de moteur, réclamez le numéro de téléphone libre pour votre fabricant de moteur énuméré ci-dessous:

Briggs & Stratton 1-800-233-3723

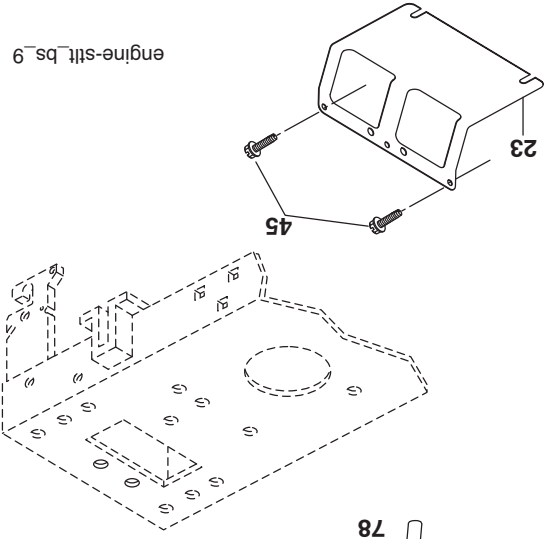
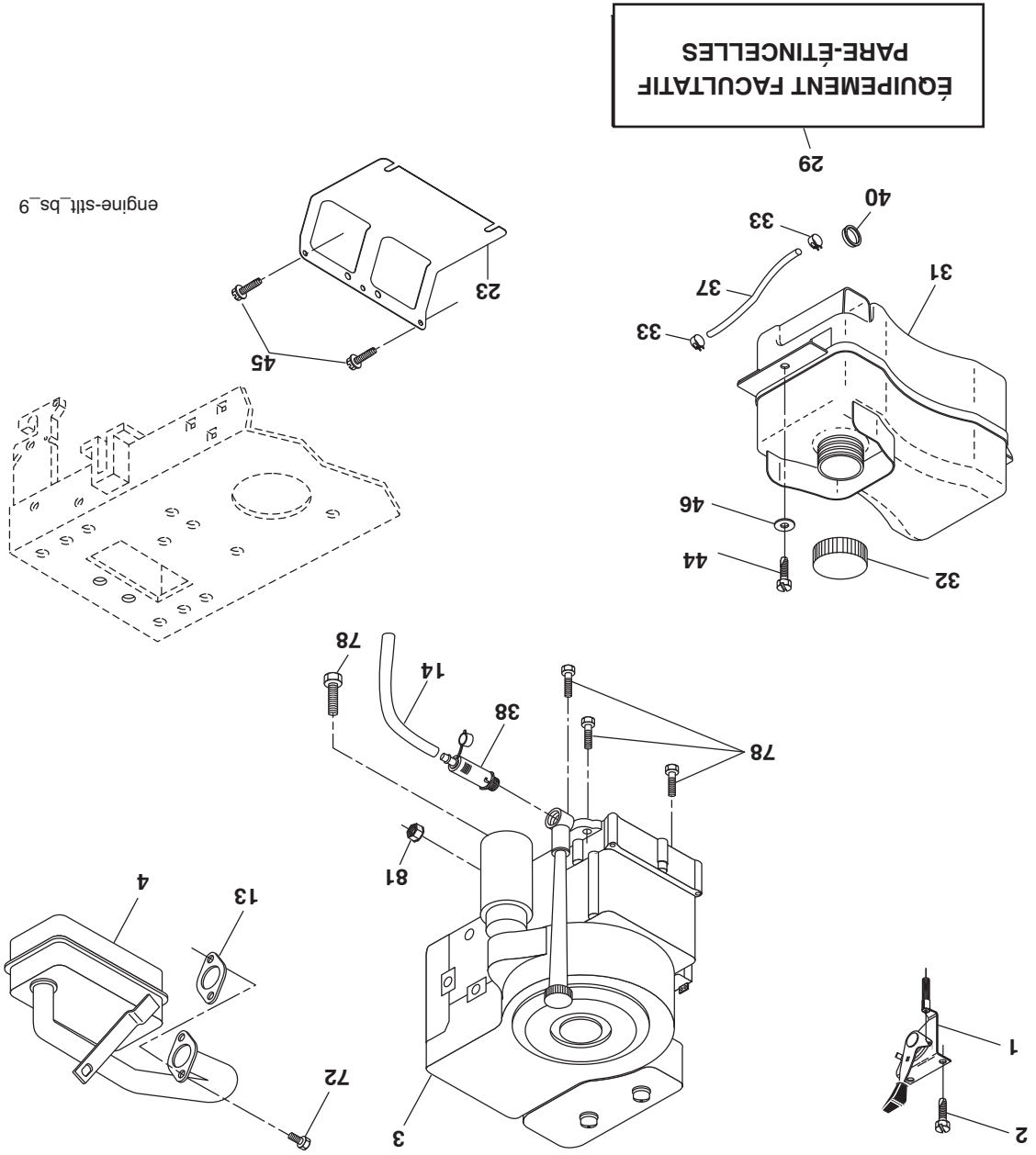
L'INFORMATION DE CLASSEMENT DE POUVOIR DE MOTEUR

Le pouvoir brut évaluant pour les modèles de moteur de gaz individuels est conformément étiqueté à SAE (la Société d'ingénieurs Automoteurs) le code J1 1940 (le Petit Pouvoir de Moteur & le Moment de torsion Evaluant la Procédure), et l'exécution de classement a été obtenue et a été corrigée conformément à SAE J1995 (la Révision 2002-5). Le véritable pouvoir de moteur brut sera plus bas et est affecté par, entre autres choses, les conditions d'opération ambiantes et le moteur-à-la variabilité de moteur. Donné les deux le tab-leau large de produits sur lesquels moteurs est placé et la variété de problèmes écologiques applicables à l'opération de l'équipement, le moteur de gaz ne développera pas le pouvoir de grosse évalué quand utilisé dans un morceau donné d'équipement de pouvoir (la puissance véritable, « sur place » ou nette). Cette différence est en raison d'une assortment de facteurs inclut, mais pas limité à, les accessoires (le nettoyeur d'air, l'échappement, charger, le refroidissement, le carburateur, la pompe de carburant, etc.), les limitations d'application, les conditions d'opération ambiantes (la température, l'humidité, l'altitude), et le moteur-à-la variabilité de moteur. En raison des limitations de fabrication et capacité, Briggs & Stratton peut substituer un moteur de plus haut pouvoir évalué pour ce moteur de Feuilleton.

PIÈCES DE RECHANGE

TRACTEUR - - NO. DE MODÈLE PO18542LT (96012009000), NO. DE PRODUIT 960 12 00-90

MOTEUR



engine-stlt_bs_9

PIÈCES DE REMPLACEMENT

TRACTEUR - - NO. DE MODÈLE PO18542LT (96012009000), NO. DE PRODUIT 960 12 00-90

ENSEMBLE DE LA DIRECTION

NO. DE DÉ.	NO. DE PIÈCE	DESCRIPTION
1	186780	Volant de direction
2	418168	Ensemble d'essieu antérieur
3	169840	Ensemble de broche C.G.
4	169839	Ensemble de broche C.D.
5	6266H	Pallier de butée
6	121748X	Rondelle 25/32 x 1 5/8 x 16 Ja.
7	19272016	Rondelle 27/32 x 1-1/4 x 16 Ja.
8	1200029	Rondelle clip
9	3366R	Pallier de colonne de direction
10	175121	Barre de direction
11	10040600	Rondelle frein 3/8
13	136518	Entritoise
15	145212	Ecroû frein à collet
17	411386	Ensemble de l'arbre de direction
26	126847X	Douille de barre d'accouplement
28	19131416	Rondelle 13/32 x 7/8 x 16 Ja.
29	17000612	Vis 3/8-16 x 3/4
30	76020412	Goupille
32	192757	Barre d'accouplement
34	10040500	Rondelle frein 5/16
36	155099	Douille de direction
37	152927	Vis à chapeau n°10-32 x 4 x 3/8
38	192916	Insert de chapeau du volant de direction
39	19113812	Rondelle 1 1/32 x 2 3/8 x 12 Ja.
40	73540600	Ecroû auto-serrant 3/8-24
41	186737	Adaptateur du volant de direction
42	145054X428	Manchon de l'arbre de direction
43	121749X	Rondelle 25/32 x 1 1/4 x 16 Ja.
44	190752	Direction de rallongement
46	121232X	Chapeau de broche
65	414736	Essieu d'entrotoise
67	72110618	Boulon 3/8-16 x 2-1/4
68	169827	Moise
71	175146	Ensemble de direction
82	199978	Support
88	175118	Boulon 7/16-20
91	175553	Pince
95	188967	Rondelle .793 x 1.637 x 060
97	74780564	Boulon 5/16-18 x 4

REMARQUE: Toutes les dimensions de composant sont données en pouces E.-U. -- 1 pouce = 25,4 mm.

PIÈCES DE RECHANGE

TRACTEUR - - NO. DE MODÈLE PO18542LT (96012009000), NO. DE PRODUIT 960 12 00-90

ENTRAÎNEMENT

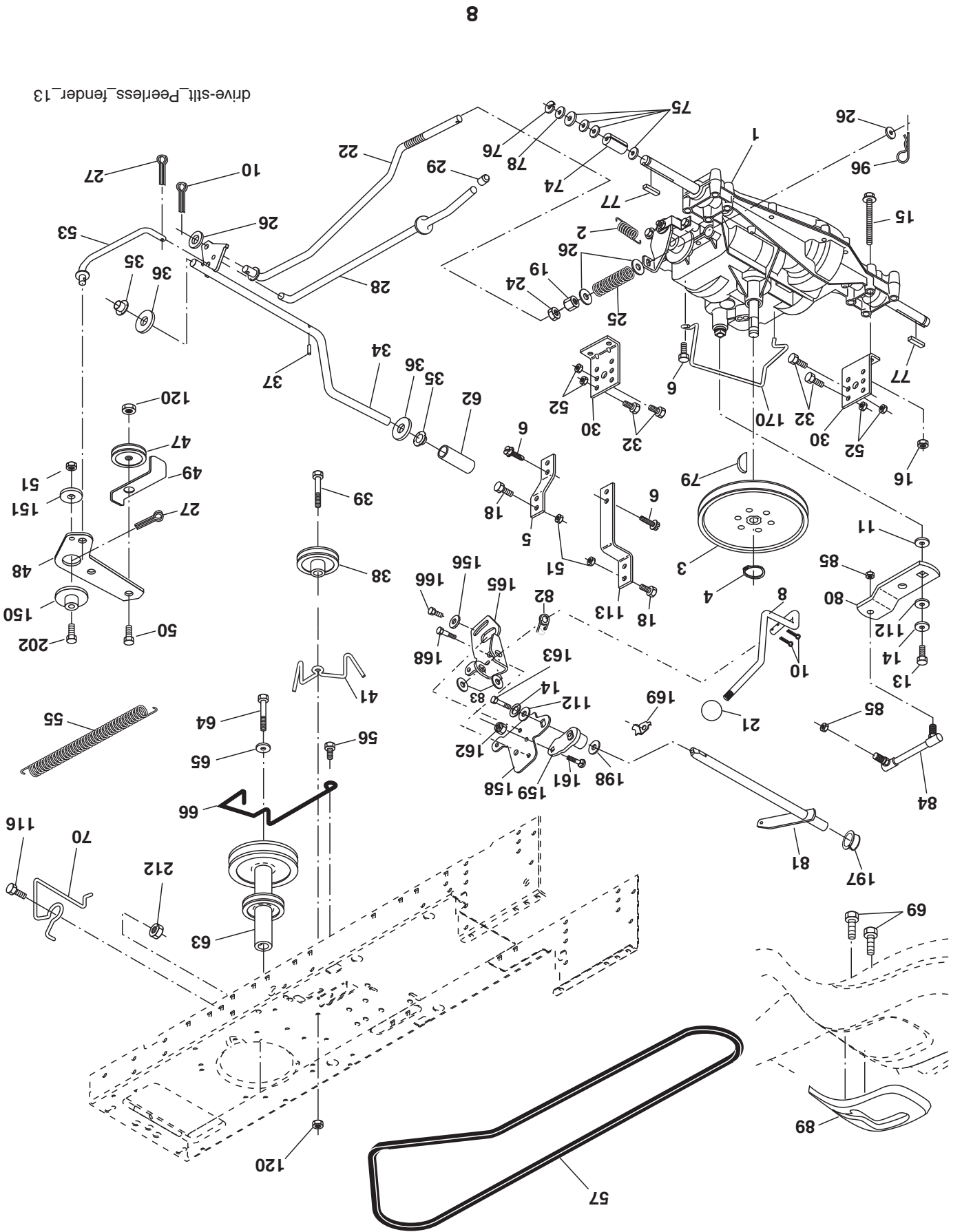
NO. DÉ	NO. DÉ	DESCRIPTION	NO. DÉ	DESCRIPTION
1	---	Transmission Peerless 206-545C	64	Boulin H
2	146682	Ressort de rappel du frein	65	Rondelle frein hélicoïdale à ressort 7/16
3	123666X	Pouille de la transmission des pneus de 18"	66	Guide-courroie C.G. du moteur
4	1200028	Bague de fermeture n°5100-62	69	Vis H
5	121520X	Attache de torsion	70	Guide-courroie de l'entraînement de tondeuse C.D.
6	17060512	Vis 5/16-18 x .75	74	D'espacement du la transmission
8	192706	Tige du changement de vitesse	75	Rondelle 25/32 x 1-1/4 x 16 Ja.
10	76020416	Goupille fendue 1/8 x 1	76	Bague en E n°5133-75
11	105701X	Rondelle bombée	77	Cle carrée 2 0 x 1845/ 1865
13	74550412	Boulin 1/4-28 unf Cat. 9	78	Rondelle 25/32 x 1-5/8 x 16 Ja.
14	10040400	Rondelle frein hélicoïdale 1/4	79	Cle woodruff #9 3/16 x 3/4
15	74490544	Boulin H 5/16-18 Cat. 5	80	Bras de changement
16	73800500	Ecroi frein H	81	Ensemble de l'arbre
18	74780616	Boulin H 3/8-16 unc x 1 Cat. 5	82	Ressort de torsion
19	73800600	Ecroi frein H avec insert 3/8-16 unc	83	Rondelle 17/32 x 3/4 x 16 Ja.
21	106933X	Boulin	84	Raccord
22	130804	Tige du frein	85	Ecroi frein central 1/4-28
24	73350600	Contre-écrou H 3/8-16 unc	89	Panneau du levier de changement
25	106888X	Ressort de la tige du frein 2 00	96	Ressort de retenue
26	19131316	Rondelle 13/32 x 13/16 x 16 Ja.	112	Ressort de retenue
27	76020412	Goupille fendue 1/8 x 3/4	113	Attache de torsion
28	175765	Tige du frein de stationnement	116	Boulin 3/8-16 x 1
29	71673	Chapeau du frein de stationnement	120	Ecroi frein
30	174973	Support de montage de la transmission	120	Ecroi auto-serrant
32	74760512	Boulin H 5/16-18 unc x 3/4	150	Ressort de retenue
34	175578	Arbre de l'ensemble de la pédale	151	Rondelle 13/32 x 2 x 10
35	120183X	Palier de nylon 629 Id	156	Rondelle 5/16 ID x 1.125
36	19211616	Rondelle 21/32 x 1 x 16 Ja.	158	Support de montage
37	1572H	Goupille mécanicus 3/16 x 1"	159	Moyeu
38	179114	Pouille	161	Boulin 1/4-20 x 3/4 Cat. 5
39	72110622	Boulin 3/8-16 unc x 2-3/4 Cat. 5	162	Ecroi auto-serrant
41	175556	Guide-courroie du gallet-tendeur	163	Boulin H 1/4-20 unc x 1 Cat. 5
47	127783	Pouille du gallet-tendeur trapézoïdal	165	Pivot
48	154407	Levier coude de l'ensemble	166	Vis 5/16-18 x 5/8
49	123205X	Logement de retenue de la courroie à cannelé	168	Boulin à épaulement
50	72110612	Boulin 3/8-16 x 1-1/2 Cat. 5	169	Attache
51	73680600	Ecroi auto-serrant 3/8-16 unc	170	Guide-courroie
53	199652	Raccord d'embranchage	197	Douille de nylon
55	105709X	Ressort de rappel de l'embranchage	198	Rondelle de nylon
56	17060620	Vis 3/8-16 x 1-1/4	202	Boulin 3/8-16 unc x 1-3/4 Cat. 5
57	138255	Courroie trapézoïdale de masse 95 30	212	Ecroi frein H
62	8883R	Couverture de la pédale		
63	175410	Pouille du moteur		

REMARQUE: Toutes les dimensions de composant sont données en pouces E.-U. -- 1 pouce = 25,4 mm.

PIÈCES DE RECHANGE

TRACTEUR - - NO. DE MODÈLE PO18542LT (96012009000), NO. DE PRODUIT 960 12 00-90

ENTRAÎNEMENT



drive-shaft_Peerless_fender_13

PIÈCES DE REMPLACEMENT

TRACTEUR - - NO. DE MODÈLE PO18542LT (96012009000), NO. DE PRODUIT 960 12 00-90 CHÂSSIS/ENCEINTES

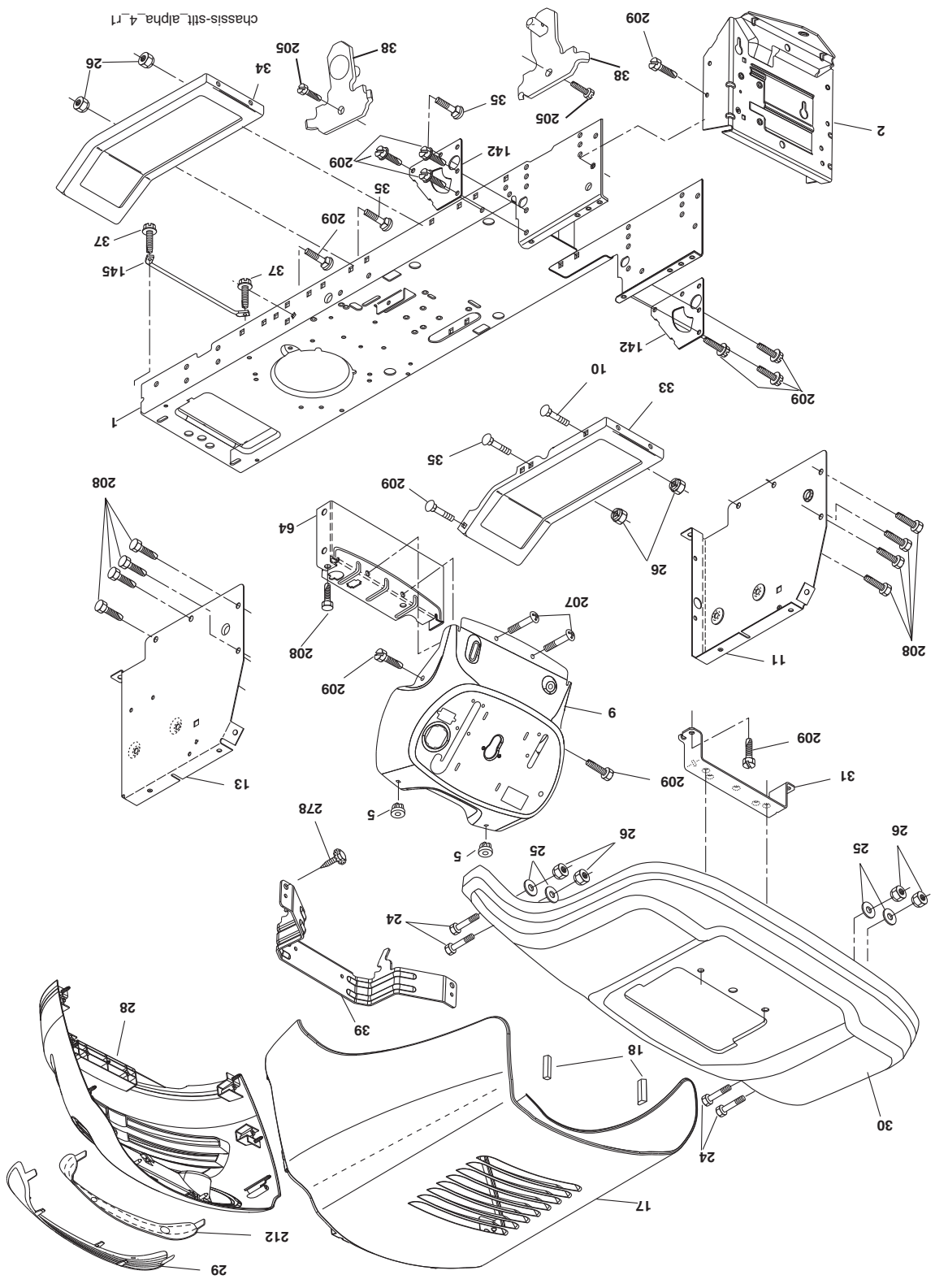
NO. DE RÉF.	NO. PIÈCE	DESCRIPTION
1	174619	Chassis
2	176554	Barre d'attelage
5	155272	Pare-chocs
9	193510X010	Tableau de bord
10	72140608	Boulon de chariot 3/8-16 x 1
11	174996	Panneau du tableau de bord C.G.
13	172105X010	Panneau du tableau de bord C.D.
17	187559X428	Ensemble du capot
18	184921	Coussin de capot
24	74780616	Boulon
25	19131312	Rondelle 13/32 x 13/16 x 12 Ja.
26	73800600	Ecrou
28	187598	Calandre (comprise les nos. de réf 29 et 212)
29	187567X599	Lentille
30	192526X428	Aile
31	136619	Support d'aile
33	179716X428	Repose-pieds C.G.
34	179717X428	Repose-pieds C.D.
35	72110606	Boulon
37	17490508	Vis 5/16-18 x 1/2 TYT
38	175710	Ensemble de support
39	187568	Support
64	154798	Abaissez le tiret
142	175702	Renfort de plat
145	409167	Tige
205	17490608	Vis 3/8-16 x 1/2
207	17670508	Vis 5/16-18 x 1/2
208	17670608	Vis 3/8-16 x 1/2
209	17000612	Vis H 3/8-16
212	187569	Insert de lentille
278	416358	Vis #10 x 0.750
--	5479J	Bouchon de bouton
--	187801	Bouchon

REMARQUE: Toutes les dimensions de composant sont données en pouces E.-U. -- 1 pouce = 25,4 mm.

PIÈCES DE RECHANGE

TRACTEUR - - NO. DE MODÈLE PO18542LT (96012009000), NO. DE PRODUIT 960 12 00-90

CHÂSSIS/ENCEINTES



chassis-sflt_alpha_4_r1

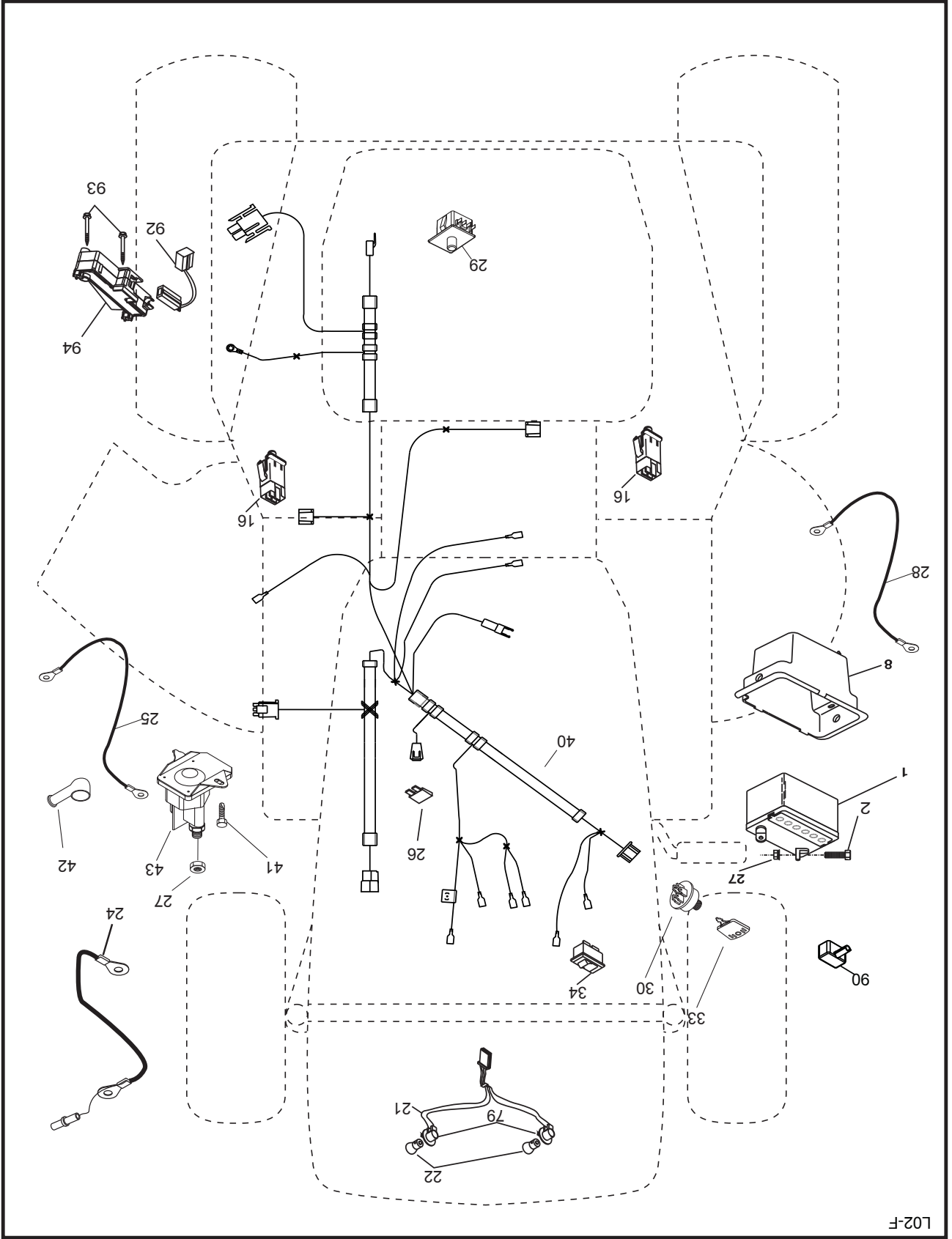
PIÈCES DE REMPLACEMENT

TRACTEUR - - NO. DE MODÈLE PO18542LT (96012009000), NO. DE PRODUIT 960 12 00-90
ELECTRIQUE

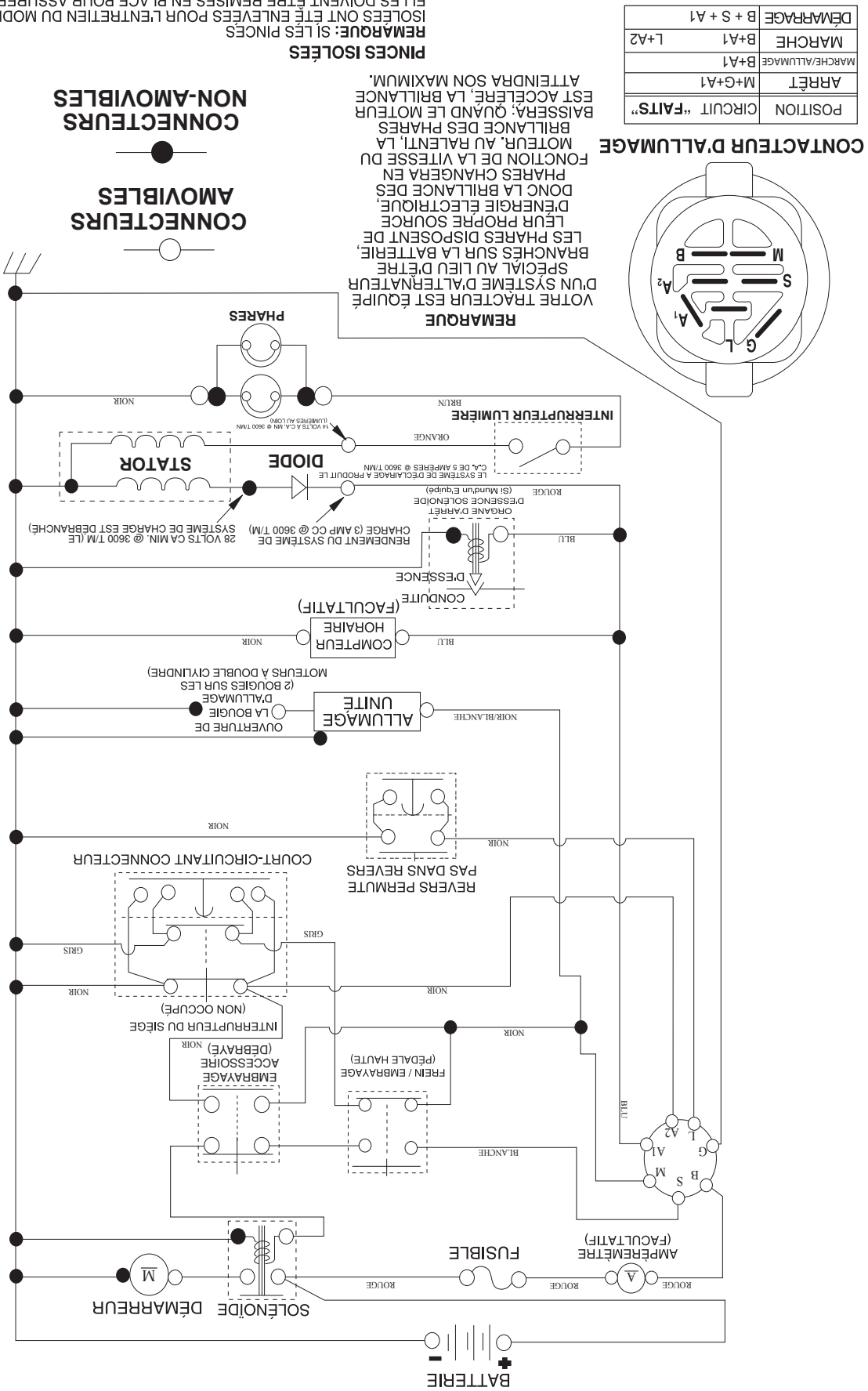
NO. DE PIÈCE	DESCRIPTION
1	Batterie
2	Boulon H 1/4-20 unc x 3/4
8	Bac de batterie
16	Interrupteur de verrouillage
21	Harnais des prises de courant des phares avec 4152J
22	Ampoule N°1156
24	Câble de batterie de 6 Ja de 1 po. - rouge
25	Câble de batterie de 6 Ja avec un fil de 16 po. - rouge
26	Fusible de 20 AMP
27	Écrou à taquets 1/4-20 unc
28	Câble de masse de 6 Ja de 12 po. - noir
29	Interrupteur
30	Contacteur d'allumage
33	Cle / chaîne
34	Interrupteur
40	Harnais des câbles d'allumage
41	Boulon H 1/4-20 x 1/2
42	Couverture de borne
43	Solénoïde
79	Prise de courant du phare
90	Couverture
92	Harnais
93	Vis 10-14 x 2.0
94	Inverse du module ROS

REMARQUE: Toutes les dimensions de composant sont données en pouces E.-U. --1 pouce = 25,4 mm.

PIÈCES DE RECHANGE
 TRACTEUR - - NO. DE MODÈLE PO18542LT (96012009000), NO. DE PRODUIT 960 12 00-90
 ÉLECTRIQUE



L02-F



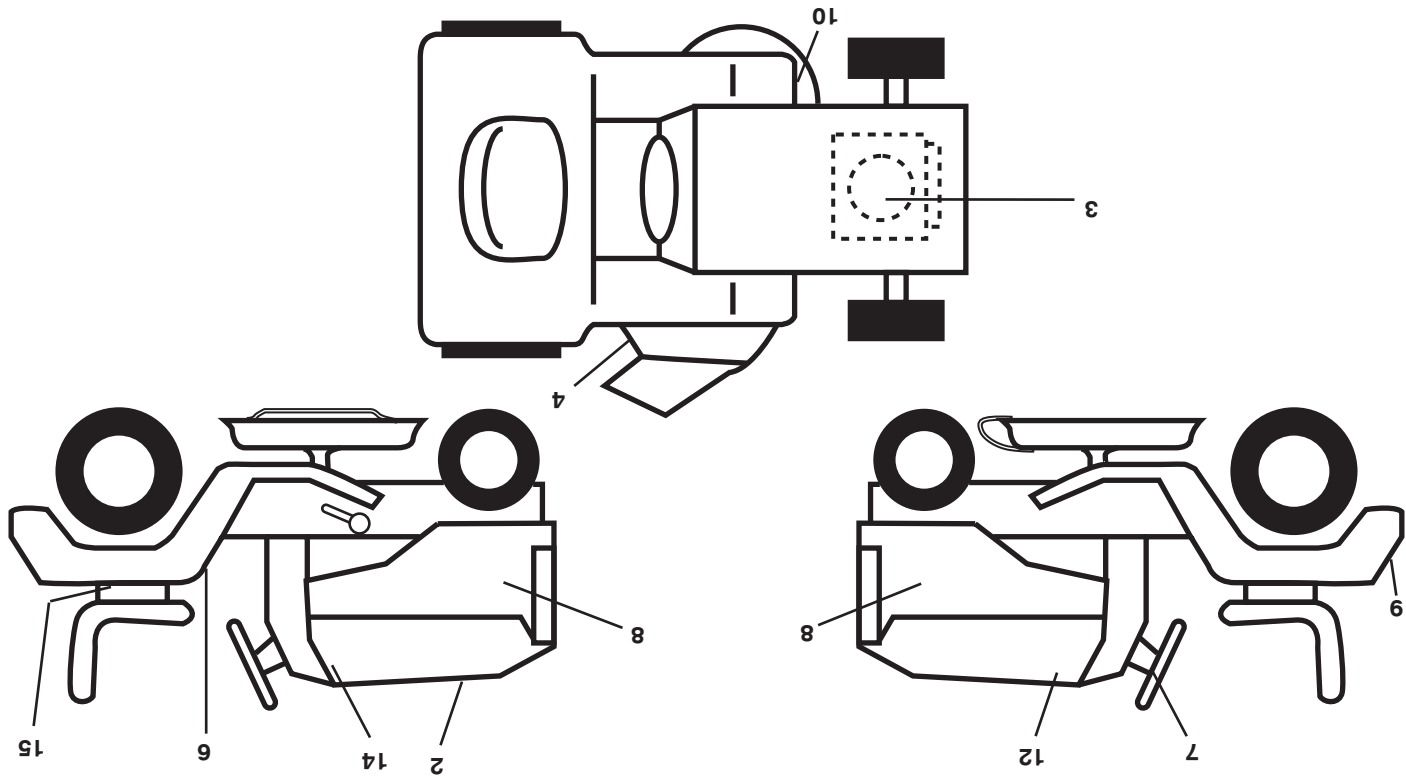
3
PINCES ISOLÉES
 REMARQUE: SI LES PINCES ISOLÉES ONT ÉTÉ ENLEVÉES POUR L'ENTRETIEN DU MODÈLE, ELLES DOIVENT ÊTRE REMISES EN PLACE POUR ASSURER LE BON FONCTIONNEMENT DU CÂBLAGE.

CONNECTEURS AMOVIBLES
CONNECTEURS NON-AMOVIBLES

REMARQUE
 VOTRE TRACTEUR EST ÉQUIPÉ D'UN SYSTÈME D'ALTERNATEUR SPÉCIAL AU LIEU D'ÊTRE BRANCHÉS SUR LA BATTERIE. LES PHARES DISPOSENT DE LEUR PROPRE SOURCE D'ÉNERGIE ÉLECTRIQUE, DONC LA BRILLANCE DES PHARES CHANGERA EN FONCTION DE LA VITESSE DU MOTEUR. AU RALENTI, LA BRILLANCE DES PHARES BAISSERA; QUAND LE MOTEUR EST ACCÉLÉRÉ, LA BRILLANCE ATTEINDRA SON MAXIMUM.

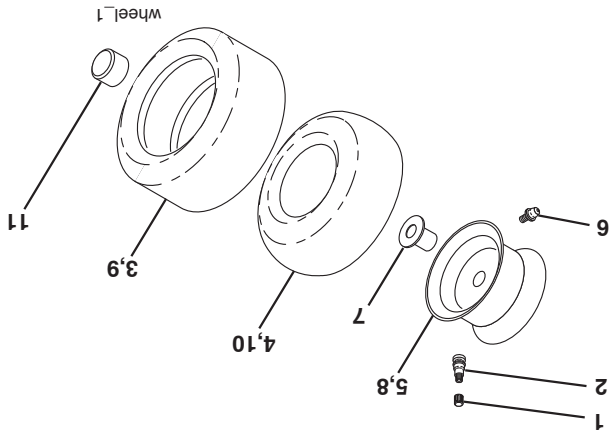
PIÈCES DE REMPLACEMENT

TRACTEUR - - NO. DE MODÈLE PO18542LT (96012009000), NO. DE PRODUIT 960 12 00-90
DÉCALCOMANIES



NO. DE DÉ	PIECE	DESCRIPTION	NO. DE DÉ	PIECE	DESCRIPTION
2	194691	Décalcomanie Remplacer	10	160396	Décalcomanie de schéma de courroie trapézoïdale
3	408832	Décalcomanie de C.V. du moteur	12	194543	Décalcomanie de capot C.D.
4	170563	Décalcomanie d'avertissement	14	194544	Décalcomanie de capot C.G.
6	411658	Décalcomanie d'aile d'avertissement (anglais/français)	15	145005	Décalcomanie de danger/poison de la batterie
7	189705	Décalcomanie de l'insert du volant de direction	--	138311	Décalcomanie de poignée de levage
8	425093	Décalcomanie	--	424999	Manuel du propriétaire (anglais/français)
9	158166	Décalcomanie du l'alle	--	425000	Manuel du pièces (anglais/français)

ROUES & PNEUS



NO. DE DÉ	PIECE	DESCRIPTION	NO. DE DÉ	PIECE	DESCRIPTION
1	59192	Capuchon de valve de pneu	1	59192	Capuchon de valve de pneu
2	65139	Tubulure de valve	2	65139	Tubulure de valve
3	124157X	Pneus antérieur	3	124157X	Pneus antérieur
4	59904	Chambre à air antérieure (non fournie)	4	59904	Chambre à air antérieure (non fournie)
5	106732X624	Ensemble de la jante antérieure 6 po.	5	106732X624	Ensemble de la jante antérieure 6 po.
6	278H	Graisseur (roue antérieure seulement)	6	278H	Graisseur (roue antérieure seulement)
7	9040H	Pallier à bride (roue antérieure seulement)	7	9040H	Pallier à bride (roue antérieure seulement)
8	106108X624	Ensemble de la jante arrière 8 po.	8	106108X624	Ensemble de la jante arrière 8 po.
9	123969X	Pneus arrière	9	123969X	Pneus arrière
10	7152J	Chambre à air arrière (non fournie)	10	7152J	Chambre à air arrière (non fournie)
11	104757X428	Capuchon de l'essieu	11	104757X428	Capuchon de l'essieu
--	144334	Joint d'étanchéité de pneu (tube de .30L [10 oz.])	--	144334	Joint d'étanchéité de pneu (tube de .30L [10 oz.])

REMARQUE: Toutes les dimensions de composant sont données en pouces E.-U. -- 1 pouce = 25,4 mm.

LISTE DES PIÈCES ILLUSTRÉE

MFG. ID NO: 96012009000

NUMÉRO DE CATALOGUE DE CLIENT: PO18542LT
NO. DE PRODUIT 960 12 00-90