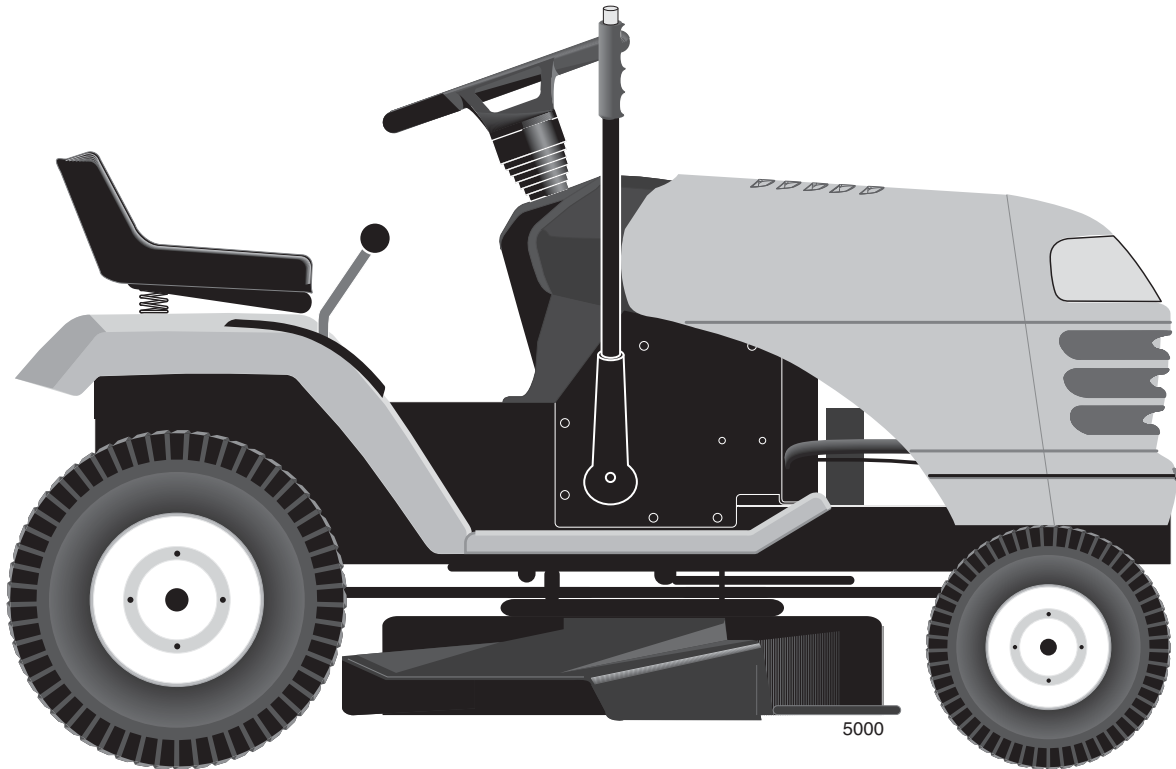


IMPORTANT MANUAL

DO NOT THROW AWAY

Poulan



REPAIR PARTS MANUAL

MODEL:

PXT16542

LAWN TRACTOR

ALWAYS WEAR EYE PROTECTION DURING OPERATION

Visit our website: www.poulan-pro.com



WARNING:

Read this Manual and follow all Warnings and Safety Instructions. Failure to do so can result in serious injury.

HOW TO USE THIS MANUAL

This manual is designed to provide the customer with a means to identify the parts on his/her tractor when ordering repair parts. The illustrations may or may not represent the actual assemblies; therefore, it is not recommended to use this manual as a guide to assemble or disassemble the tractor. Some hardware and parts are drawn larger in order to more readily identify them.

Each tractor has its own model number.

The model number for your tractor can be found on the fender under the seat.

When ordering parts, always give the following information:

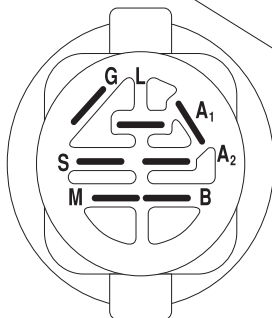
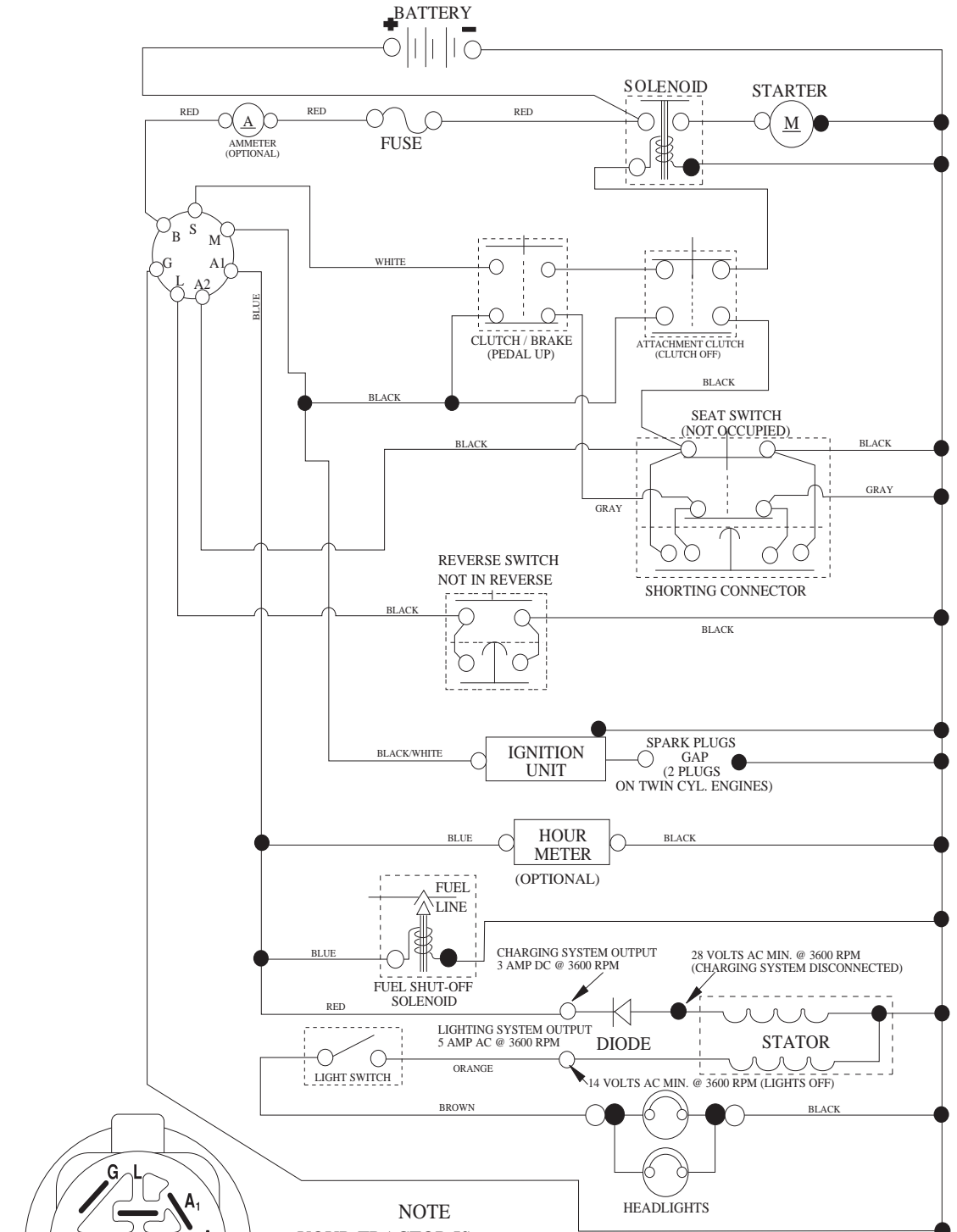
- Product - "TRACTOR"
- MODEL NUMBER - "PXT16542 (96016001700)"
- Part Number
- Part Description

TABLE OF CONTENTS

SCHEMATIC	3
ELECTRICAL.....	4-5
CHASSIS	6-7
DRIVE.....	8-9
ENGINE.....	10-11
STEERING	12-13
DECALS.....	14
SEAT	15
MOWER DECK	16-17
MOWER LIFT.....	18
WARRANTY.....	BACK PAGE

TRACTOR - - MODEL NUMBER PXT16542 (96016001700), PRODUCT NO. 960 16 00-17 SCHEMATIC

SCH03



IGNITION SWITCH

POSITION	CIRCUIT	"MAKE"
OFF	M+G+A1	
RUN/OVERRIDE	B+A1	
RUN	B+A1	L+A2
START	B + S + A1	

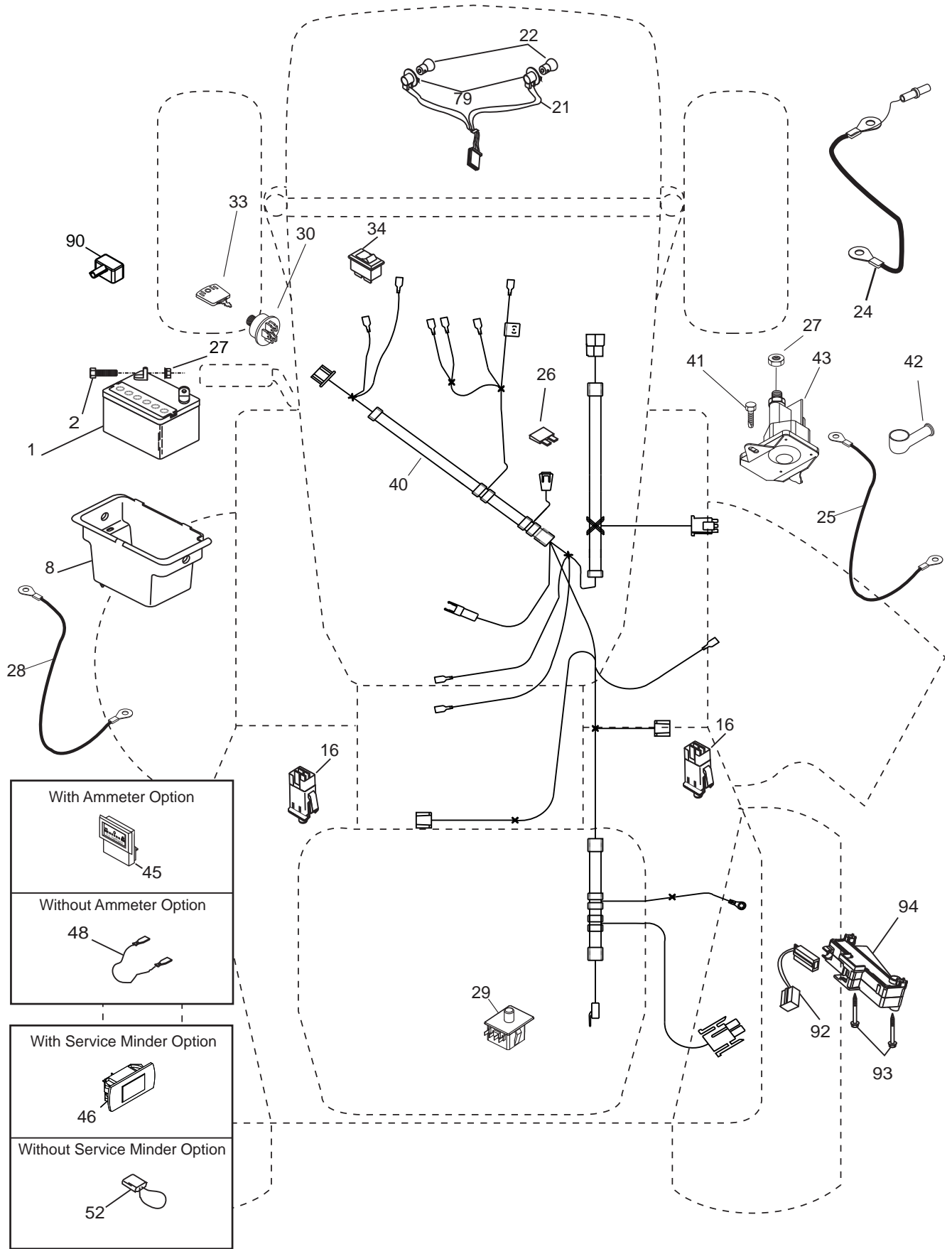
NOTE
YOUR TRACTOR IS EQUIPPED WITH A SPECIAL ALTERNATOR SYSTEM. THE LIGHTS ARE NOT CONNECTED TO THE BATTERY, BUT HAVE THEIR OWN ELECTRICAL SOURCE. BECAUSE OF THIS, THE BRIGHTNESS OF THE LIGHTS WILL CHANGE WITH ENGINE SPEED. AT IDLE THE LIGHTS WILL DIM. AS THE ENGINE IS SPEEDED UP, THE LIGHTS WILL BECOME THEIR BRIGHTEST.



WIRING INSULATED CLIPS
NOTE: IF WIRING INSULATED CLIPS WERE REMOVED FOR SERVICING OF UNIT, THEY SHOULD BE RE-INSTALLED TO PROPERLY SECURE YOUR WIRING.

**TRACTOR - - MODEL NUMBER PXT16542 (96016001700), PRODUCT NO. 960 16 00-17
ELECTRICAL**

L02

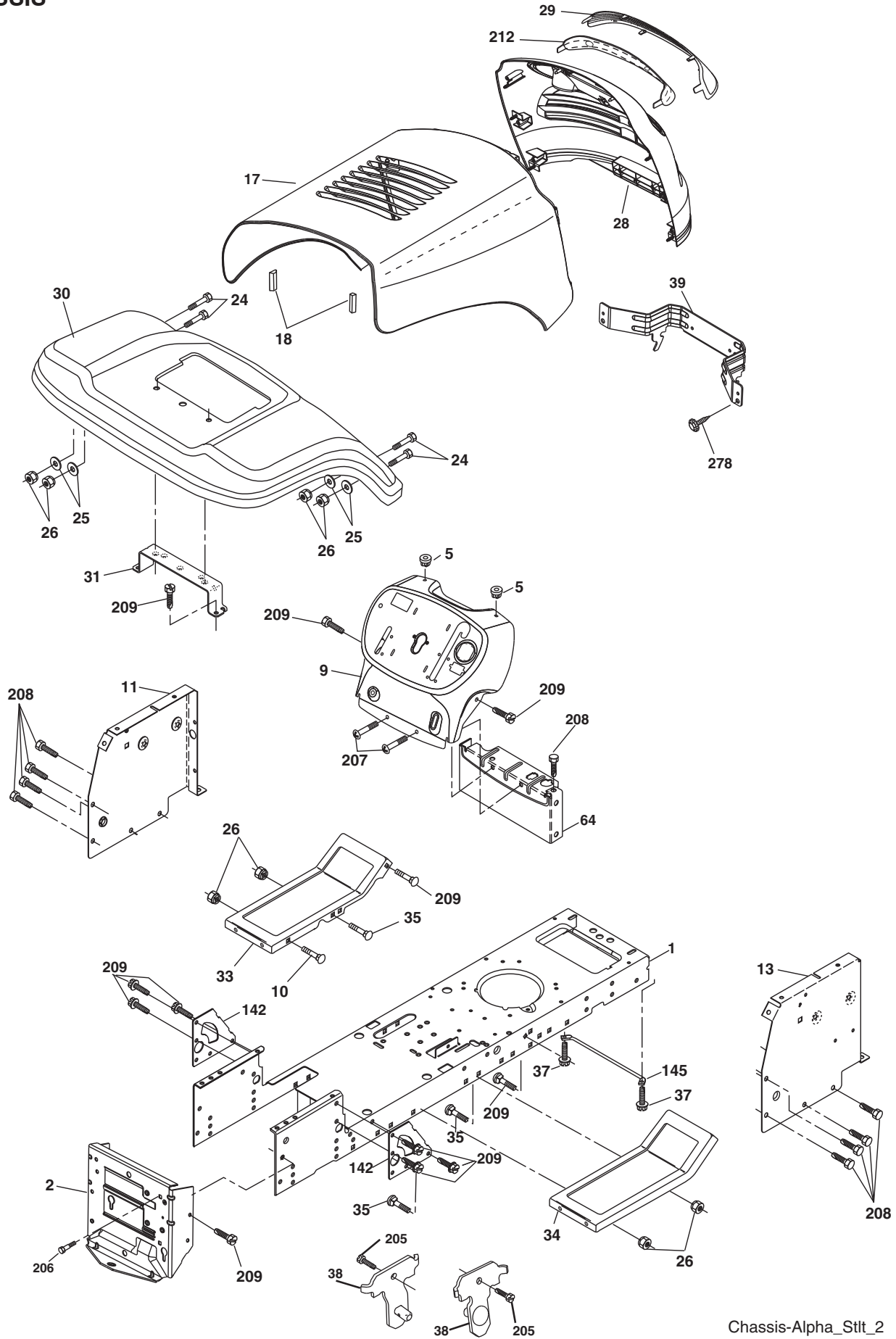


**TRACTOR - - MODEL NUMBER PXT16542 (96016001700), PRODUCT NO. 960 16 00-17
ELECTRICAL**

KEY NO.	PART NO.	DESCRIPTION
1	163465	Battery
2	74760412	Bolt Hex Hd 1/4-20 unc x 3/4
8	176689	Box Battery
16	176138	Switch Interlock
21	175688	Harness Asm Light w/4152j
22	4152J	Bulb Light #1156
24	421299	Cable Battery 6 Ga. 11" Red
25	421297	Cable Battery
26	175158	Fuse 20 AMP
27	73510400	Nut Keps Hex 1/4-20 unc
28	421298	Cable Ground 6 Ga. 12" Black
29	192749	Switch Seat
30	193350	Switch Ign
33	411933	Key/Chain
34	110712X	Switch Light/Reset
40	197428	Harness Ign
41	71110408	Bolt Blk Fin Hex 1/4-20
42	131563	Cover Terminal Red
43	192507	Solenoid
48	140844	Adapter Ammeter
52	141940	Protection Wire Loop
79	175242	Socket Asm. Bulb Twistlock
90	180449	Cover Terminal Battery
92	196615	Harness Pigtail
93	192540	Screw Plastite 10-14 x 2.0
94	191834	Module Reverse ROS

NOTE: All component dimensions given in U.S. inches
1 inch = 25.4 mm.

TRACTOR - - MODEL NUMBER PXT16542 (96016001700), PRODUCT NO. 960 16 00-17
CHASSIS



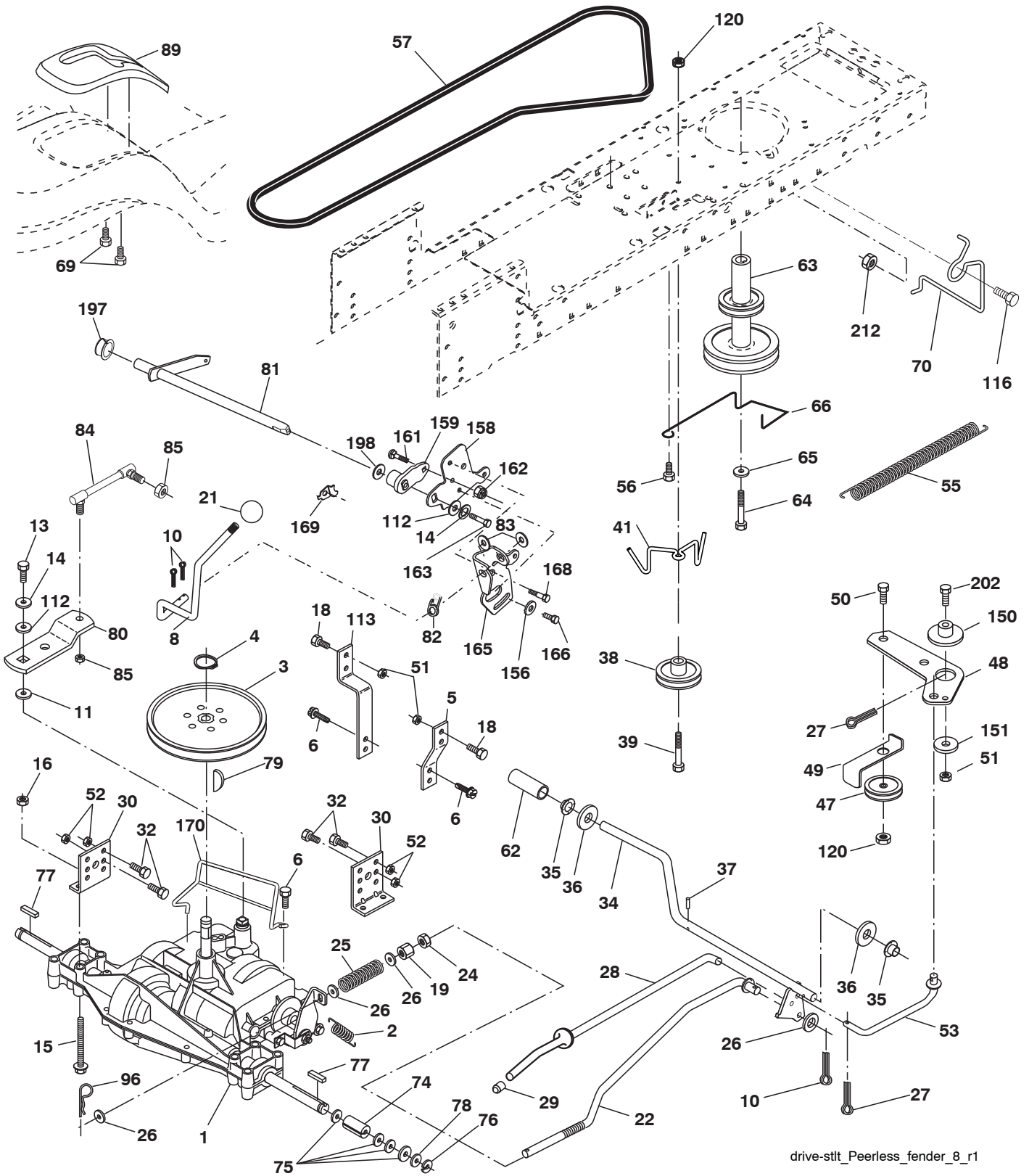
Chassis-Alpha_Stlt_2

**TRACTOR - - MODEL NUMBER PXT16542 (96016001700), PRODUCT NO. 960 16 00-17
CHASSIS**

KEY NO.	PART NO.	DESCRIPTION
1	174619	Chassis
2	176554	Drawbar, Stretch
5	155272	Bumper, Hood/Dash
9	193510X010	Dash
10	72140608	Bolt, Carriage 3/8-16 x 1
11	174996	Panel Dash LH
13	172105X010	Panel Silkscr Dash RH
17	187559X505	Hood
18	184921	Bumper Hood
24	74780616	Bolt Fin Hex 3/8-16 unc x 1 Gr. 5
25	19131312	Washer 13/32 x 13/16 x 12 Ga.
26	73800600	Nut Lock Hex w/Ins 3/8-16 unc
28	187598	Grille/Lens Asm. (Include Key Nos. 29 and 212)
29	187567X599	Lens Grille Bar
30	192526X505	Fender
31	136619	Bracket Fender Repl 109873X
33	179716X505	Footrest Pnt LH
34	179717X505	Footrest Pnt RH
35	72110606	Bolt Rdhd Sht Sqnk 3/8-16 x 3/4
37	17490508	Screw Thdrol 5/16-18 x 1/2 TYT
38	175710	Bracket Asm. Pivot Mower
39	187568	Bracket Pivot
64	154798	Dash Lower
142	175702	Plate Reinforcement
145	409167	Rod Pivot Chassis/Hood
205	17490608	Screw Thdrol 3/8-16 x 1/2
206	170165	Bolt Shoulder 5/16-18
207	17670508	Screw 5/16-18 x 1/2
208	17670608	Screw Thdrol 3/8-16 x 1/2
209	17000612	Screw Hex Wsh Thdrol 3/8-16
212	187569	Insert Lens Reflect
278	416358	Screw #10 x 0.750 BOS Thread
---	5479J	Plug Button Blk 359 Dia Choke
--	187801	Plug Dome Plastic

NOTE: All component dimensions given in U.S. inches
1 inch = 25.4 mm.

**TRACTOR - - MODEL NUMBER PXT16542 (96016001700), PRODUCT NO. 960 16 00-17
DRIVE**

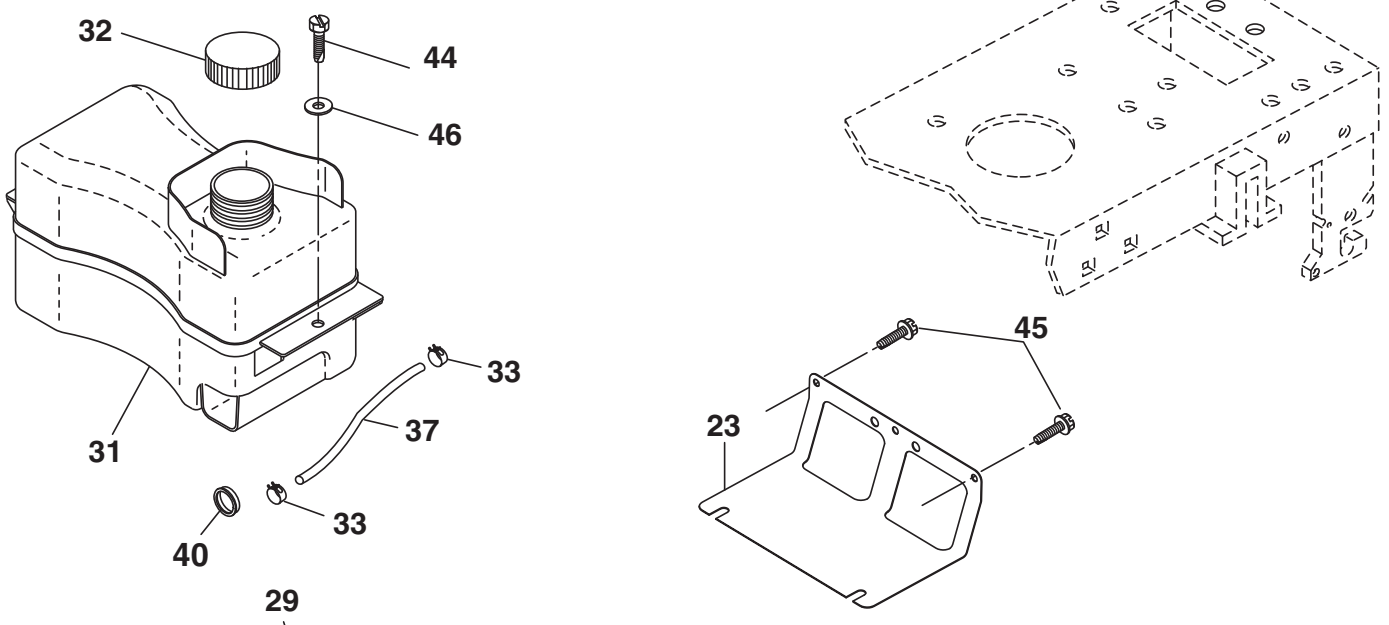
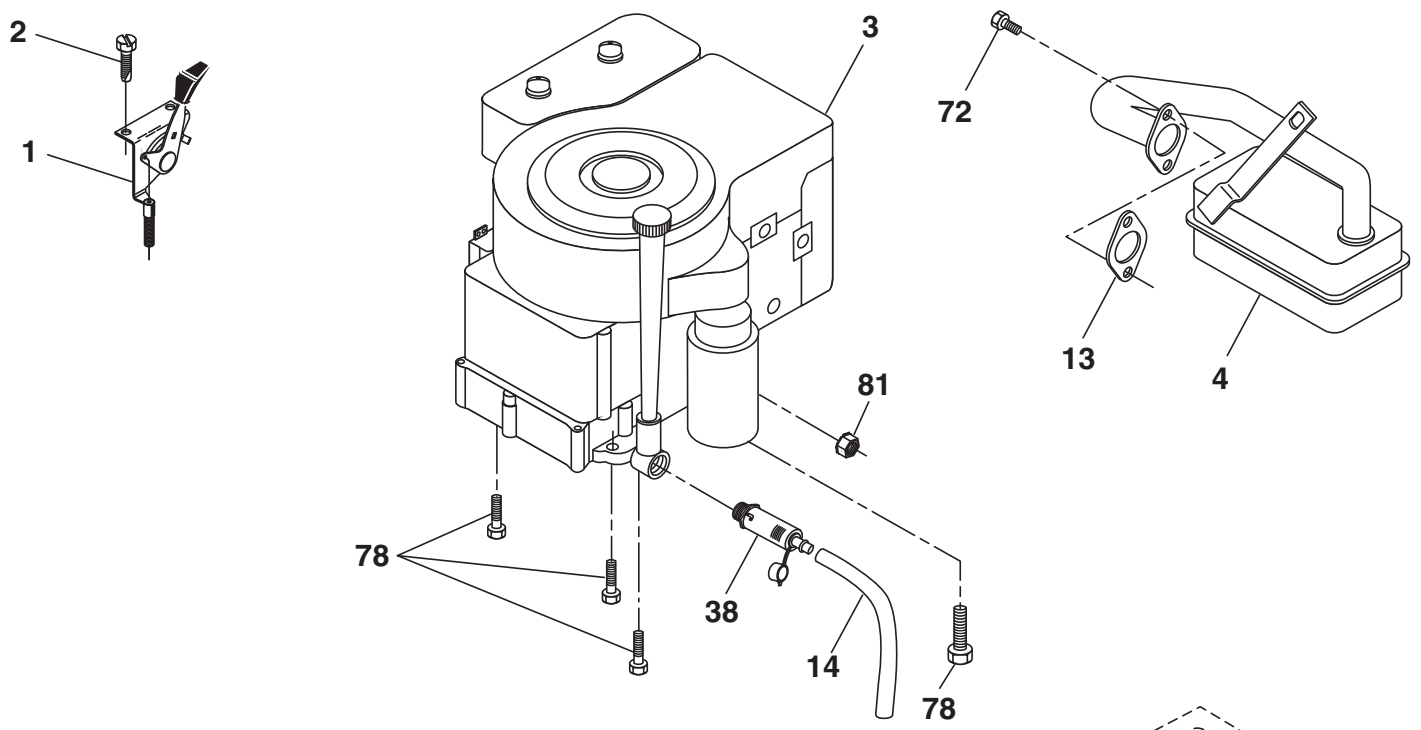


TRACTOR - - MODEL NUMBER PXT16542 (96016001700), PRODUCT NO. 960 16 00-17 DRIVE

KEY NO.	PART NO.	DESCRIPTION	KEY NO.	PART NO.	DESCRIPTION
1	-----	Transaxle Peerless 206-545C (Order parts from transaxle manufacturer)	63	175410	Engine Pulley
2	146682	Spring Return Brake T/a Zinc	64	173937	Bolt Hex
3	123666X	Pulley Transaxle 18" Tires	65	10040700	Washer Lock Hvy Hlcl Spr 7/16
4	12000028	Ring Retainer # 5100-62	66	154778	Keeper Belt Engine Foolproof
5	121520X	Strap Torque 30 Degrees	69	142432	Screw Hex wsh HiLo 1/4 x 1/2 unc
6	17060512	Screw 5/16-18 x 3/4	70	134683	Guide Belt Mower Drive RH
8	192706	Rod Shift Fender Adjust Lt	74	137057	Spacer Axle
10	76020416	Pin Cotter 1/8 x 1 Cad	75	121749X	Washer 25/32 x 1 1/4 x 16 Ga.
11	105701X	Washer Plate Shf 388 Sq Hole	76	12000001	E-ring #5133-75
13	74550412	Bolt 1/4-28 unF Gr. 8 w/Patch	77	123583X	Key Square 2 0 x 1845/ 1865
14	10040400	Washer Lock Hvy Helical	78	121748X	Washer 25/32 x 1-5/8 x 16 Ga.
15	74490544	Bolt Hex FLGHD 5/16-18 Gr. 5	79	2228M	Key Woodruff #9 3/16 x 3/4
16	73800500	Nut Lock Hex w/ins 5/16-18	80	131486	Arm Shift
18	74780616	Bolt, Fin Hex 3/8-16 unc x 1 Gr. 5	81	165594	Shaft Asm Cross Tapered PMST/20
19	73800600	Nut Lock 3/8-16 unc	82	165711	Spring Torsion T/a
21	106933X	Knob	83	19171216	Washer 17/32 x 3/4 x 16 Ga.
22	130804	Rod Brake Blk Zinc 26 840	84	166228	Link Transaxle
24	73350600	Nut Hex Jam 3/8-16 unc	85	150360	Nut Lock Center 1/4 - 28 FNTHD
25	106888X	Spring Rod Brake 2 00 Zinc	89	192053X428	Console Shift STLT
26	19131316	Washer 13/32 x 13/16 x 16 Ga.	96	4497H	Retainer Spring 1"
27	76020412	Pin Cotter 1/8 x 3/4 Cad	112	19091210	Washer 9/32 x 3/4 x 10 Ga.
28	175765	Rod Brake Parking LT/YT	113	127285X	Strap Torque LT
29	71673	Cap Brake Parking	116	72140608	Bolt Rdhd Sq Neck 3/8-16 x 1
30	174973	Bracket Mtg Transaxle	120	73900600	Nut Lock Flg. 3/8-16 unc
32	74760512	Bolt Hex Hd 5/16-18 unc x 3/4	150	175456	Spacer Retainer
34	175578	Shaft Asm Pedal Foot	151	19133210	Washer 13/32 x 2 x 10
35	120183X	Bearing Nylon Blk 629 Id	156	166002	Washer Srrted 5/16ID x 1.125
36	19211616	Washer 21/32 x 1 x 16 Ga.	158	165589	Bracket Shift Mount
37	1572H	Pin Roll 3/16 x 1"	159	183900	Hub Tapered Flange Shift Lt
38	179114	Pulley Composite Flat	161	72140406	Bolt Rdhd Sqnk 1/4-20 x 3/4
39	72110622	Bolt RDHD 3/8-16 unc x 2-3/4 Gr. 5	162	73680400	Nut Crownlock 1/4-20 unc
41	175556	Keeper Belt Flat Idler	163	74780416	Bolt Hex Fin 1/4-20 unc x 1 Gr. 5
47	127783	Pulley Idler V Groove Plastic	165	165623	Bracket Pivot Lever
48	154407	Bellcrank Asm	166	17490510	Screw 5/16-18 x 5/8
49	123205X	Retainer Belt Style Spring	168	165492	Bolt Shoulder 5/16-18 x .561
50	72110612	Bolt Carr. Sh. 3/8-16 x 1-1/2 Gr. 5	169	165580	Plate Fastening
51	73680600	Nut Crownlock 3/8-16 unc	170	187414	Keeper Belt Transaxle Gear
52	73680500	Nut Crownlock 5/16-18 unc	197	169613	Nyliner Snap-In
53	199652	Link Clutch	198	169593	Washer Nyliner
55	105709X	Spring Return Clutch 6 75	202	72110614	Bolt RdHd 3/8-16 unc x 1-3/4 Gr. 5
56	17060620	Screw 3/8-16 x 1-1/4	212	145212	Nut Hexflange Lock
57	138255	V-Belt Ground Drive			
62	8883R	Cover Pedal Blk Round			

NOTE: All component dimensions given in U.S. inches
1 inch = 25.4 mm

**TRACTOR - - MODEL NUMBER PXT16542 (96016001700), PRODUCT NO. 960 16 00-17
ENGINE**



OPTIONAL EQUIPMENT
Spark Arrester

engine-stlt_bs_9

TRACTOR - - MODEL NUMBER PXT16542 (96016001700), PRODUCT NO. 960 16 00-17 ENGINE

KEY NO.	PART NO.	DESCRIPTION
1	170551	Control Th/ch Flag
2	17720408	Screw Hex Thd Cut 1/4-20 x 1/2
3	-----	Engine, B&S 31C707 (Order parts from engine manufacturer)
4	137352	Muffler Exhaust B&S
13	165291	Gasket Eng 1 313 Id Tin Plated
14	148456	Tube Drain Oil Easy
23	169837	Shield BRN/DBR Guard
29	137180	Kit Spark Arrestor (Flat Scrn)
31	407516	Tank Fuel Front
32	197725	Cap Asm Fuel
33	123487X	Clamp Hose
37	401137	Line Fuel
38	181654	Plug Drain Oil
40	124028X	Bushing Snap Nyl Blk Fuel Line
44	17670412	Screw Thdrol 1/4-20 x 3/4
45	17000612	Screw Hex Wsh Thdrol 3/8-16
46	19091416	Washer 9/32 x 7/8 x 16 Ga.
72	192334	Screw Socket Head 5/16-18 x 3/4
78	17060620	Screw 3/8-16 x 1-1/4
81	73510400	Nut Keps Hex 1/4-20 unc

NOTE: All component dimensions given in U.S. inches
1 inch = 25.4 mm

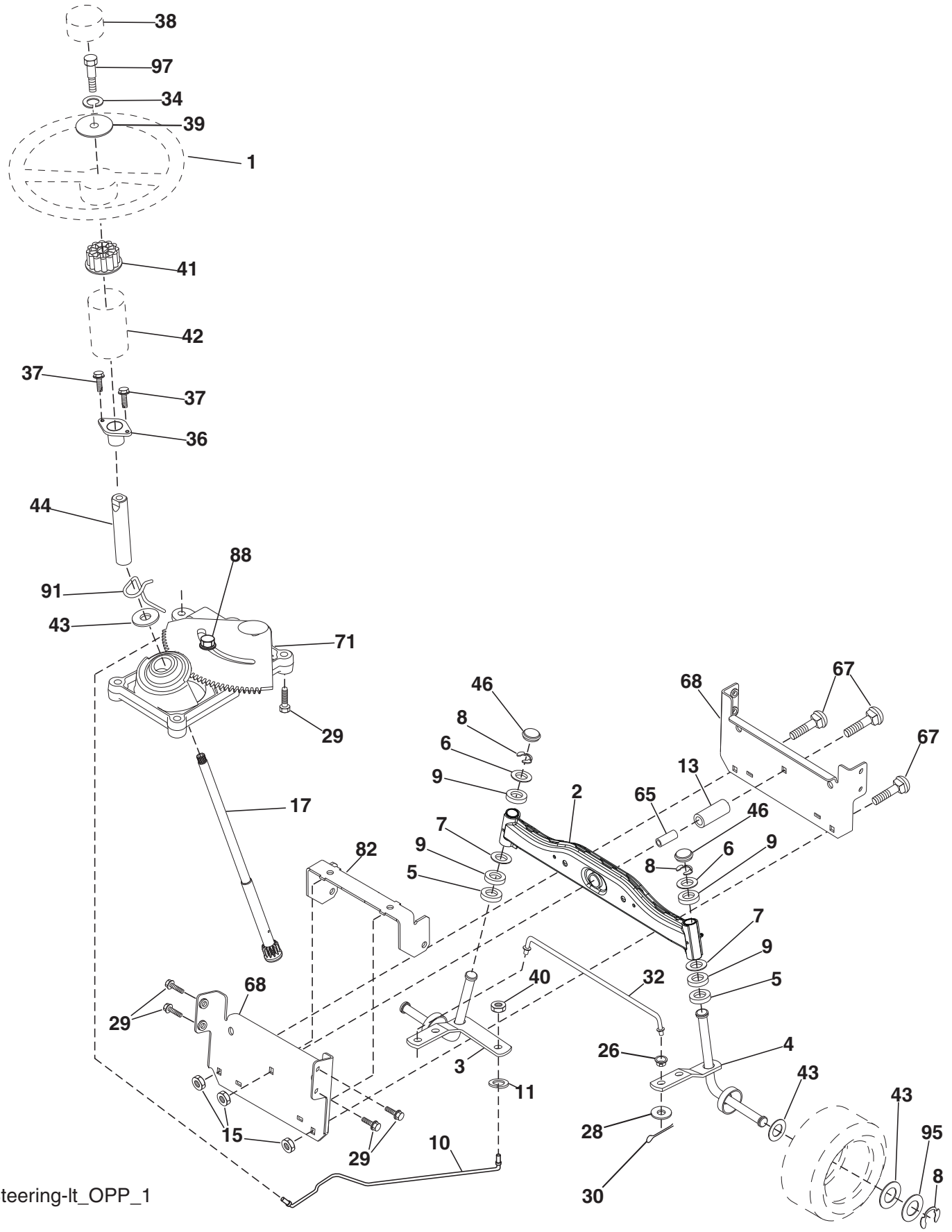
For engine service and replacement parts, call the toll free number for your engine manufacturer listed below:

Briggs & Stratton 1-800-233-3723

Engine Power Rating Information

The gross power rating for individual gas engine models is labeled in accordance with SAE (Society of Automotive Engineers) code J11940 (Small Engine Power & Torque Rating Procedure), and rating performance has been obtained and corrected in accordance with SAE J1995 (Revision 2002-5). Actual gross engine power will be lower and is affected by, among other things, ambient operating conditions and engine-to-engine variability. Given both the wide array of products on which engines are placed and the variety of environmental issues applicable to operating the equipment, the gas engine will not develop the rated gross power when used in a given piece of power equipment (actual "on-site" or net horsepower). This difference is due to a variety of factors including, but not limited to, accessories (air cleaner, exhaust, charging, cooling, carburetor, fuel pump, etc.), application limitations, ambient operating conditions (temperature, humidity, altitude), and engine-to-engine variability. Due to manufacturing and capacity limitations, Briggs & Stratton may substitute an engine of higher rated power for this Series engine.

**TRACTOR - - MODEL NUMBER PXT16542 (96016001700), PRODUCT NO. 960 16 00-17
STEERING**



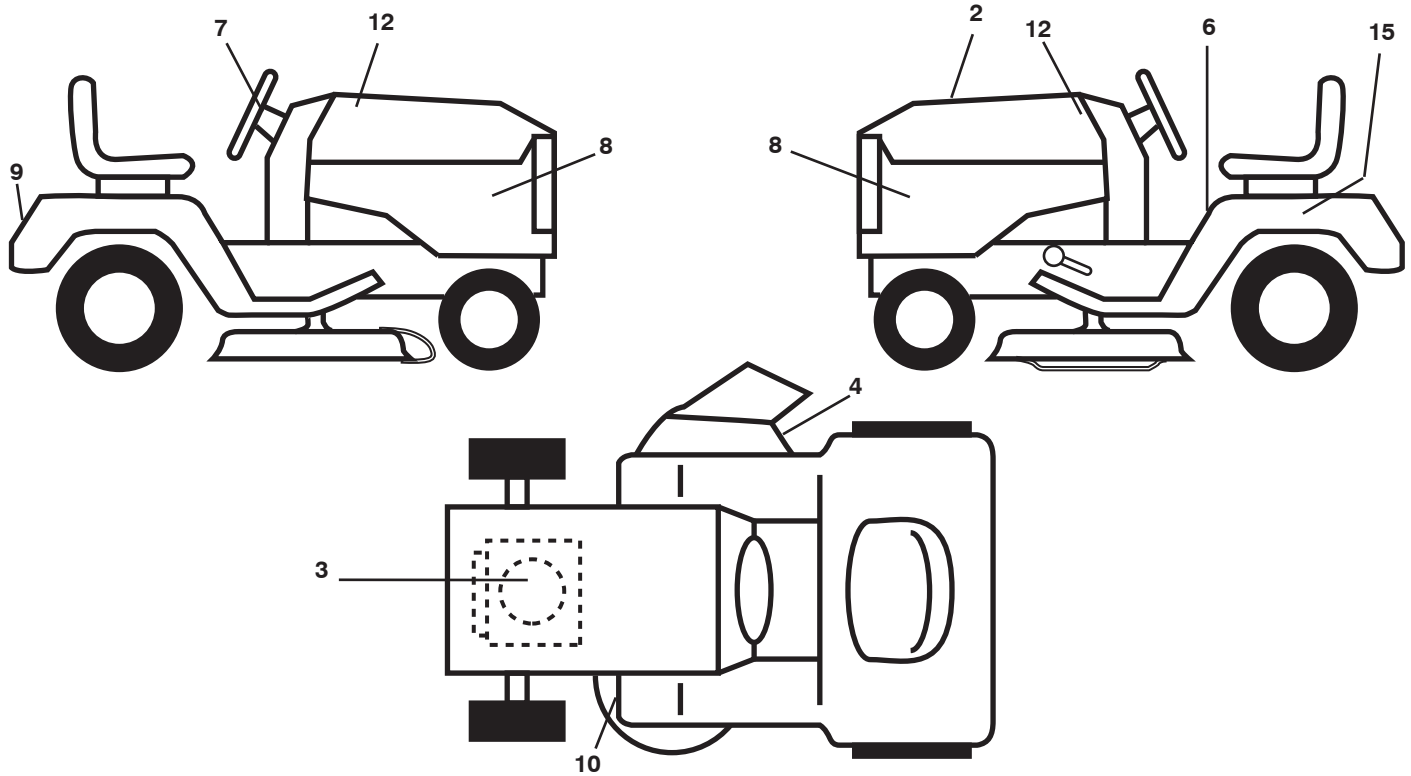
Steering-It_OPP_1

**TRACTOR - - MODEL NUMBER PXT16542 (96016001700), PRODUCT NO. 960 16 00-17
STEERING**

KEY NO.	PART NO.	DESCRIPTION
1	186780	Wheel Steering
2	418168	Axle Asm
3	169840	Spindle Asm LH
4	169839	Spindle Asm RH
5	6266H	Washer Thrust .75 x 1.230
6	121748X	Washer 25/32 x 1-5/8 x 16 Ga.
7	19272016	Washer 27/32 x 1-1/4 x 16 Ga.
8	12000029	Ring Klip #t5304-75
9	3366R	Bearing Col Strg Blk
10	175121	Link Drag
11	10040600	Washer Lock Hvy Hlcl Spr 3/8
13	136518	Spacer Brace Axle
15	145212	Hexflange Lock
17	411386	Shaft Asm Strg
26	126847X	Bushing Link Drag Blk LR
28	19131416	Washer 13/32 x 7/8 x 16 Ga.
29	17000612	Screw 3/8-16 x 3/4
30	76020412	Pin Cotter 11/32 ID x 2 3/8 OD x 12 Ga.
32	192757	Rod Tie Wire Form 19 75 Mech
34	10040500	Washer Lock 5/16
36	155099	Bushing Strg 5/8 Id Dash
37	152927	Screw
38	192916	Cap Wheel Steer
39	19113812	Washer 11/32 x 2 3/8 OD x 12 Ga.
40	73540600	Nut Crownlock 3/8-24
41	186737	Adaptor Wheel Strg
42	145054X428	Boot Dash Mtl Steering Blk
43	121749X	Washer 25/32 x 1 1/4 x 16 Ga.
44	190752	Extension Steering
46	121232X	Cap Spindle Fr Top Blk
65	414736	Spacer Brace Axle
67	72110618	Bolt RDHD SQNK 3/8-16 x 2-1/4
68	169827	Brace Axle
71	175146	Steering Asm.
82	199978	Bracket Susp Chassis Front
88	175118	Bolt Shoulder 7/16-20
91	175553	Clip Steering
95	188967	Washer Harden .793 x 1.637 x 060
97	74780564	Bolt 5/16-18 x 4 Gr.5

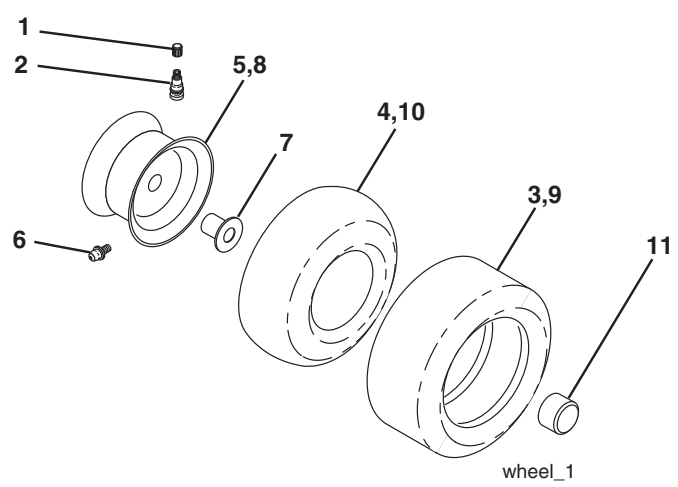
NOTE: All component dimensions given in U.S. inches
1 inch = 25.4 mm.

**TRACTOR - - MODEL NUMBER PXT16542 (96016001700), PRODUCT NO. 960 16 00-17
DECALS**



KEY NO.	PART NO.	DESCRIPTION	KEY NO.	PART NO.	DESCRIPTION
1	170563	Decal, Warning	12	423915	Decal, Hood
2	194691	Decal, Replacement	15	145005	Decal, Caution, Battery
3	408818	Decal, Engine HP	--	179769X428	Pad Foot Rest RH
4	170563	Decal, Warning	--	179768X428	Pad Foot Rest LH
6	411658	Decal, Fender Warning	--	42380	Decal, Hood E85 Warning
7	424077	Decal, Ins Str Wh	--	138311	Decal, Handle Lft Height Adj.
8	423917	Decal, Side Panel	--	424634	Manual, Operator's, English/French
9	423918	Decal, Fender	--	424635	Manual, Operator's, Spanish
10	160396	Decal, V-Belt Sch.	--	423307	Manual, Parts, English/French

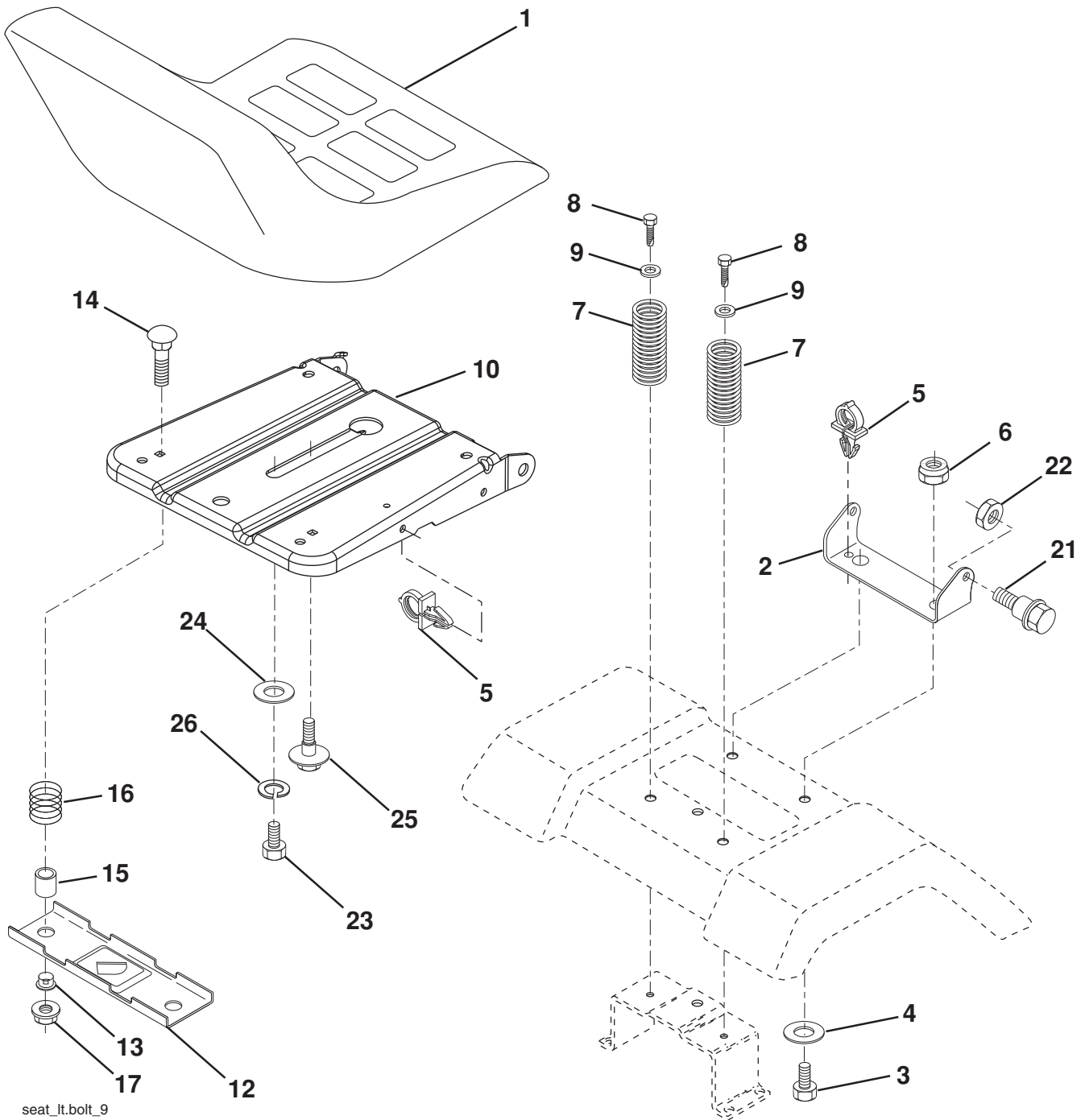
WHEELS & TIRES



KEY NO.	PART NO.	DESCRIPTION
1	59192	Cap, Tire Valve
2	65139	Stem, Valve
3	106222X	Tire, Front
4	59904	Tube, Front (Service item only)
5	106732X643	Rim Assembly, 6" Front
6	278H	Fitting, Grease (Front wheel only)
7	9040H	Bearing, Flange (Front wheel only)
8	106108X643	Rim Assembly, 8" Rear
9	420531	Tire, Rear
10	7152J	Tube, Rear (Service item only)
11	104757X643	Cap, Hub Axle
--	144334	Sealant, Tire (10 oz. Tube)

NOTE: All component dimensions given in U.S. inches
1 inch = 25.4 mm

TRACTOR - - MODEL NUMBER PXT16542 (96016001700), PRODUCT NO. 960 16 00-17 SEAT



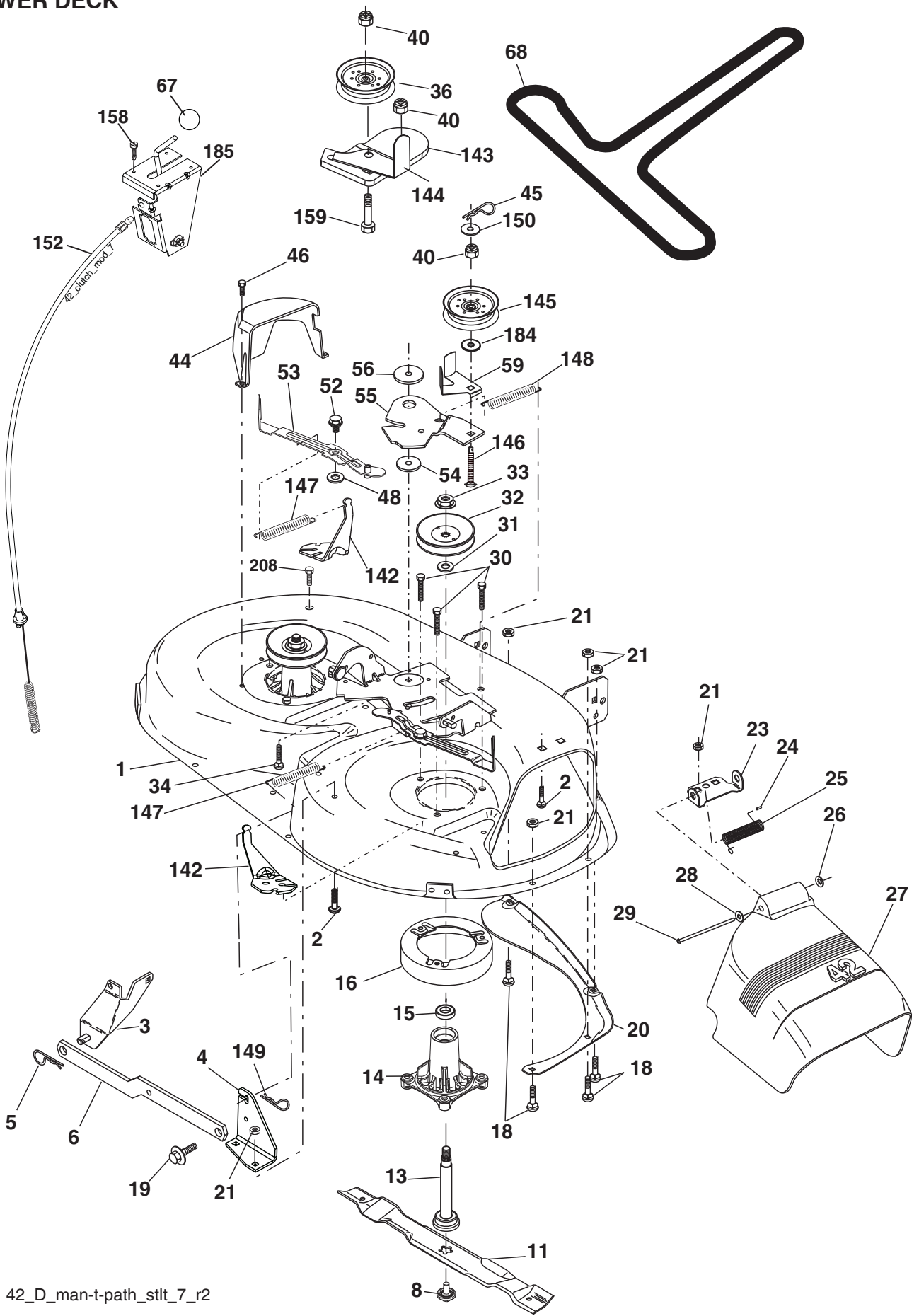
seat_lt.bolt_9

KEY NO.	PART NO.	DESCRIPTION
1	401042	Seat
2	140551	Bracket Seat Pivot
3	71110616	Bolt Hex 3/8 - 16 x 1
4	19131610	Washer 3/32 x 1 x10 Ga.
5	145006	Clip Push-In Hinged
6	73800600	Nut Lock Hex w/Ins 3/8 - 16
7	124181X	Spring Seat Cprsn 2 250 Blk Zi
8	17000616	Screw 3/8-16 x 1.5
9	19131614	Washer 13/32 x 1 x 14 Ga.
10	195530	Pan Pnt Seat
12	174648	Bracket Pnt Mounting Switch
13	121248X	Bushing Snap Blk Nyl
14	72050412	Bolt Rdhd Sht Nk 1/4 - 20 x 1 -1/2

KEY NO.	PART NO.	DESCRIPTION
15	134300	Spacer Split .28 x .96
16	121250X	Spring Cprsn
17	123976X	Nut Lock 1/4 Lge Flg
21	171852	Bolt Shoulder 5/16-18 unc-2A
22	73800500	Nut Lock Hex w/Ins 5/16 - 18
23	71110814	Bolt Hex
24	19171912	Washer 17/32 x 1-3/16 x 12 Ga.
25	127018X	Bolt Shoulder 5/16-18 x .62
26	10040800	Washer Lock Hvy Hlcl Spr 1/2

NOTE: All component dimensions given in U.S. inches
1 inch = 25.4 mm.

**TRACTOR - - MODEL NUMBER PXT16542 (96016001700), PRODUCT NO. 960 16 00-17
MOWER DECK**



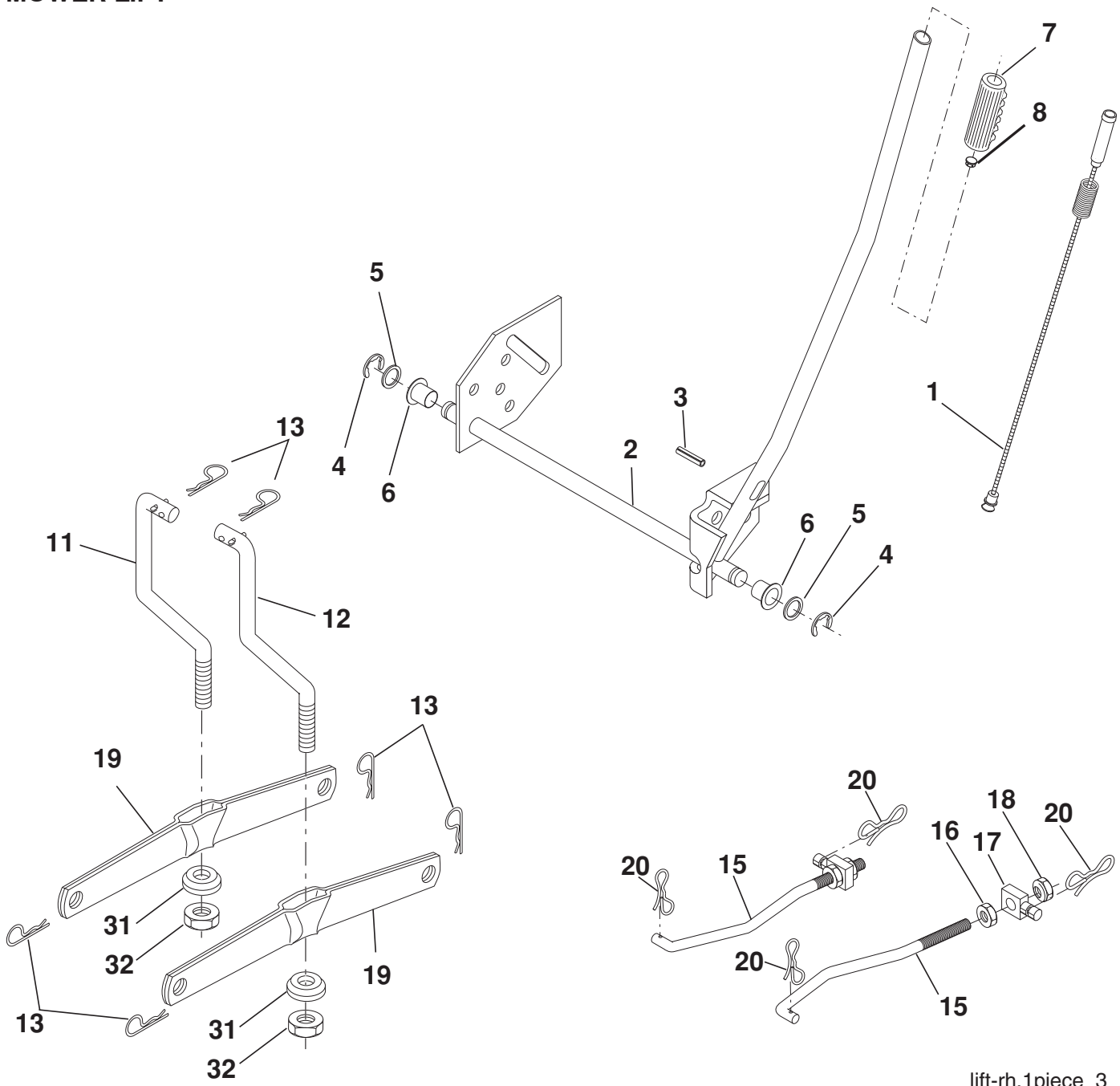
42_D_man-t-path_stlt_7_r2

**TRACTOR - - MODEL NUMBER PXT16542 (96016001700), PRODUCT NO. 960 16 00-17
MOWER DECK**

KEY NO.	PART NO.	DESCRIPTION	KEY NO.	PART NO.	DESCRIPTION
1	165892	Mower Deck Assembly, 42"	44	140088	Guard, Mandrel, LH
2	72140506	Bolt	45	4497H	Retainer
3	138017	Bracket Asm Fr. Sway Bar 3/42	46	137729	Screw, Thdrol 1/4-20 x 5/8 T
4	165460	Bracket Asm Deck 42" Sway Bar	48	133944	Washer, Hardened
5	4939M	Retainer Spring	52	139888	Bolt, Shoulder 5/16-18 unc
6	178024	Bar Sway Deck	53	184907	Arm Assembly, Pad, Brake
8	193003	Bolt/Washer Asm. 7/16-20 unf (The following Blades are available)	54	178515	Washer, Hardened
11	138971	Blade Mower 42" Hi-Lift (for bag- ging and discharging)	55	155046	Arm, Idler
--	134149	Blade, Mulching 42" Std (for mulch- ing mowers only)	56	165723	Spacer, Retainer
--	139775	Blade Mulching 42" Premium (For better wear when mulching)	59	141043	Guard TUV Idler
13	192872	Shaft Asm. Mandrel	67	106932X	Knob Round
14	187281	Housing Mandrel	68	144959	V-Belt, 42" Mower
15	110485X	Bearing, Ball, Mandrel	142	195784	Anchor Spring Brake Mower
16	174493	Stripper, Mandrel Deck	143	157109	Bracket Arm Idler 42"
18	72140505	Bolt, Carriage 5/16-18 x 5/8	144	158634	Keeper Belt 42" Clutch Cable
19	132827	Bolt, Shoulder	145	165888	Pulley Idler Flat
20	159770	Baffle, Vortex	146	171977	Bolt Extension Idler
21	73680500	Nut	147	131335	Spring Extension
23	177563	Bracket, Deflector Mower 42"	148	169022	Spring Return Idler
24	105304X	Cap, Sleeve 80 x 112 Blk Mower	149	165898	Retainer Spring Yellow
25	123713X	Spring, Torsion, Deflector 2 52	150	19091210	Washer 9/32 x 3/4 x 10 Ga.
26	110452X	Nut, Push Phos & Oil	152	169676	Clutch Cable 42"
27	130968X428	Shield, Deflector 42" Blk	158	17720408	Screw Hex Thd Cut 1/4-20 x 1/2
28	19111016	Washer 11/32 x 5/8 x 16 Ga.	159	72140614	Bolt Rdhd Sqn 3/8-16 unc x 1-3/4
29	131491	Rod, Hinge 42" 6 75 w/G	184	19131410	Washer 13/32 x 7/8 x 10 Ga.
30	173984	Screw Thdrol	185	188234	Head Asm Cable Clutch\
31	187690	Washer, Spacer Mower Vented	208	17670608	Screw Thdrol 3/8 x 16 x 1/2
32	153535	Pulley, Mandrel	--	192870	Mandrel Assembly (Includes hous- ing, shaft assembly, and bearing only - pulley/nut/washer and blade bolt/washers not included)
33	400234	Nut, Toplock	--	418031	Replacement Mower, Complete
34	72110612	Bolt Carr SH 3/8-16 x 1-1/2 Gr.5			
36	131494	Pulley, Idler, Flat			
40	73900600	Nut Lock 3/8-16			

NOTE: All component dimensions given in U.S. inches
1 inch = 25.4 mm

**TRACTOR - - MODEL NUMBER PXT16542 (96016001700), PRODUCT NO. 960 16 00-17
MOWER LIFT**



lift-rh.1piece_3

KEY NO.	PART NO.	DESCRIPTION
1	404981	Plunger Asm Lift Lever
2	159471	Shaft Asm Lift RH
3	105767X	Pin Groove 1 500 Zinc
4	12000002	E Ring #5133-62
5	19211621	Washer 21/32 x 1 x 21 Ga.
6	120183X	Bearing Nylon Blk 629 Id
7	109413X	Grip Handle
8	124526X	Button Plunger Black
11	139865	Link Lift LH Fixed Length
12	139866	Link Lift RH Fixed Length
13	4939M	Retainer Spring

KEY NO.	PART NO.	DESCRIPTION
15	173288	Link Front
16	73350800	Nut Jam Hex 1/2-13 unc
17	175689	Trunnion
18	73800800	Nut Lock w/Wsh 1/2-13 unc
19	139868	Arm Suspension Rear
20	194209	Pin Cotter 7/16 Bow Tie Lock
31	169865	Bearing Pvt Lift
32	73540600	Nut Crownlock 3/8-24

NOTE: All component dimensions given in U.S. inches
1 inch = 25.4 mm.

SERVICE NOTES

LIMITED WARRANTY

The Manufacturer warrants to the original consumer purchaser that this product as manufactured is free from defects in materials and workmanship. For a period of two (2) years from date of purchase by the original consumer purchaser, we will repair or replace, at our option, without charge for parts or labor incurred in replacing parts, any part which we find to be defective due to materials or workmanship. This Warranty is subject to the following limitations and exclusions.

1. This warranty does not apply to the engine, transaxle/transmission components, battery (except as noted below) or components parts thereof. Please refer to the applicable manufacturer's warranty on these items.
2. Transportation charges for the movement of any power equipment unit or attachment are the responsibility of the purchaser. Transportation charges for any parts submitted for replacement under this warranty must be paid by the purchaser unless such return is requested by the manufacturer.
3. Battery Warranty: On products equipped with a Battery, we will replace, without charge to you, any battery which we find to be defective in manufacture, during the first ninety (90) days of ownership. After ninety (90) days, we will exchange the Battery, charging you 1/12 of the price of a new Battery for each full month from the date of the original sale. Battery must be maintained in accordance with the instructions furnished.
4. The Warranty period for any products used for rental or commercial purposes is limited to 90 days from the date of original purchase.
5. This Warranty applies only to products which have been properly assembled, adjusted, operated, and maintained in accordance with the instructions furnished. This Warranty does not apply to any product which has been subjected to alteration, misuse, abuse, improper assembly or installation, delivery damage, or to normal wear of the product.
6. Exclusions: Excluded from this Warranty are belts, blades, blade adapters, normal wear, normal adjustments, standard hardware and normal maintenance.
7. In the event you have a claim under this Warranty, you must return the product to an authorized service dealer.

Should you have any unanswered questions concerning this Warranty, please contact:

HOP
Outdoor Products Customer Service Dept.
1030 Stevens Creek Road
Augusta, GA 30907 USA

In Canada contact:
HOP
5855 Terry Fox Way
Mississauga, Ontario
L5V 3E4

giving the model number, serial number and date of purchase of your product and the name and address of the authorized dealer from whom it was purchased.

THIS WARRANTY DOES NOT APPLY TO INCIDENTAL OR CONSEQUENTIAL DAMAGES AND ANY IMPLIED WARRANTIES ARE LIMITED TO THE SAME TIME PERIODS STATED HEREIN FOR OUR EXPRESSED WARRANTIES. Some areas do not allow the limitation of consequential damages or limitations of how long an implied Warranty may last, so the above limitations or exclusions may not apply to you. This Warranty gives you specific legal rights, and you may have other rights which vary from locale to locale.

This is a limited Warranty within the meaning of that term as defined in the Magnuson-Moss Act of 1975.

Poulan

GARANTIE LIMITÉE

Le Fabricant garantit à l'acheteur initial que son produit tel que manufacturé est libre de défaut de matière et d'ouvrage. Pendant deux (2) ans, à compter de la date d'achat de la part de l'acheteur initial, nous réparerons ou remplacerons à notre choix, gratuitement, toute pièce, sur laquelle nous estimerons qu'il existe un défaut de matière ou d'ouvrage. Cette garantie est soumise aux limitations et exceptions suivantes:

1. Cette garantie ne couvre pas le moteur, la transmission/composants, la batterie (sauf comme mentionnée ci-dessous) ou les pièces détachées. Veuillez-vous consulter la garantie applicable du fabricant des articles.

2. L'acheteur est responsable des frais de transport de tous les équipements actionnés par moteur ou les accessoires. L'acheteur est responsable des frais aussi de transport de toutes les pièces (couvertes par cette garantie) soumis pour le remplacement à moins que manufacturé demande à l'acheteur de renvoyer les pièces.

3. Garantie de la batterie: Pour les produits équipés d'une batterie, nous remplacerons, gratuitement, toute batterie estimée défectueuse pendant les quatre-vingt-dix (90) jours initiaux suivant l'achat. Après quatre-vingt-dix (90) jours, nous échangeons la batterie, le coût pour vous être 1/12 du prix d'une nouvelle batterie pour chaque mois complet à compter de la date d'achat initiale. La batterie doit être entretenue selon les directives données dans la documentation approuvée.

4. La période de garantie applicable aux produits proposés en location ou à des fins commerciales est limitée à quatre-vingt-dix (90) jours à compter de la date d'achat initiale.

5. Cette garantie ne s'applique qu'aux produits correctement montés, réglés, utilisés et entretenus conformément aux instructions données dans la documentation approuvée. Cette garantie ne s'applique pas aux produits qui ont été modifiés, utilisés incorrectement, abusés, mal installés ou avariés lors de la livraison ou usage normal.

6. Exclusions: Les courroies, les lames, les adaptateurs de lame, l'usage normal, les réglages normaux, la visserie standard, et l'entretien normal sont exclus de cette garantie.

7. En cas de problème entrant dans le cadre de cette garantie, veuillez-vous retourner votre machine à un concessionnaire autorisé.

Si vous auriez aucune question sans réponse concernant cette garantie, s'il vous plaît contactez:

HOP	HOP
Outdoor Products Customer Service Dept.	5855 Terry Fox Way
1030 Stevens Creek Road	Mississauga, Ontario
Augusta, GA 30907 USA	LSV 3E4

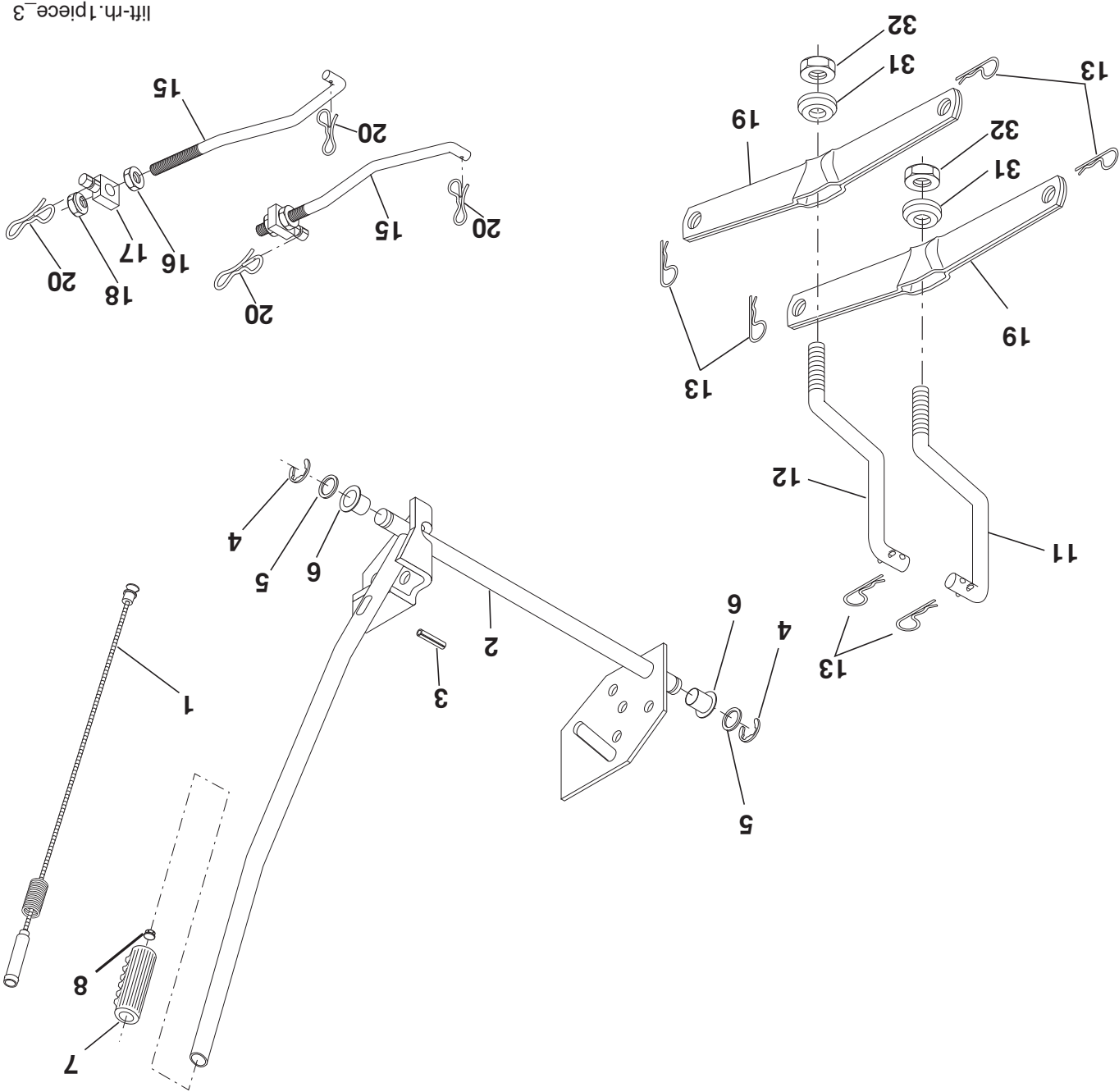
en nous donnant le numéro du modèle, le numéro de série, la date d'achat de votre machine ainsi que l'adresse du concessionnaire autorisé chez qui vous l'avez achetée.

CETTE GARANTIE NE COUVRE AUCUN DOMMAGE INCIDENTEL OU CONSÉQUENT ET TOUTE GARANTIE IMPLICITE EST LIMITEE AUX MEMES PERIODES PRECISEES ICI POUR LES GARANTIES EXPLICITES DU FABRICANT. Certaines localités ne permettent aucune restriction des dommages conséquents ou de la durée d'une garantie implicite et; par conséquent, il se pourrait que les restrictions et exclusions énoncées ci-dessus ne s'appliquent pas à vous. Cette garantie vous donne droits légaux spécifiques et vous pouvez aussi avoir d'autres droits d'un endroit à un autre.

Cette garantie est une garantie limitée comme définie dans la loi Magnuson-Moss Act de 1975.

Poulan

TRACTEUR - - NO. DE MODELE PXT16542 (96016001700), NO. DE PRODUIT 960 16 00-17
LEVAGE DE TONDEUSE



diff-rih.1piece_3

NO. NO.	DE	PIECE	DESCRIPTION
1	404981		Ensemble de plongeur de levier de levage
2	159471		Ensemble de l'arbre de levage
3	105767X		Goupille cannelée
4	12000002		Bague en E n°5133-62
5	19211621		Rondelle 21/32 x 1 x 21 Ja.
6	120183X		Pallier en Nylon
7	109413X		Poignée cannelée du levier
8	124526X		Bouton de plongeur
11	139865		Raccord de levage C.G.
12	139866		Raccord de levage C.D.
13	4939M		Ressort de retenue

NO. NO.	DE	PIECE	DESCRIPTION
15	173288		Raccord antérieur
16	73350800		Contre-écrou H 1/2-13 unc
17	175689		Tourillon
18	73800800		Écrou frein 1/2-13 unc
19	139868		Bras de suspension arrière
20	194209		Goupille fendue
31	169865		Pallier de pivot de levage
32	73540600		Écrou auto-serrant 3/8-24

REMARQUE: Toutes les dimensions de composant sont données en pouces E.-U. - - 1 pouce = 25,4 mm.

TRACTEUR - - NO. DE MODELE PXT16542 (96016001700), NO. DE PRODUIT 960 16 00-17

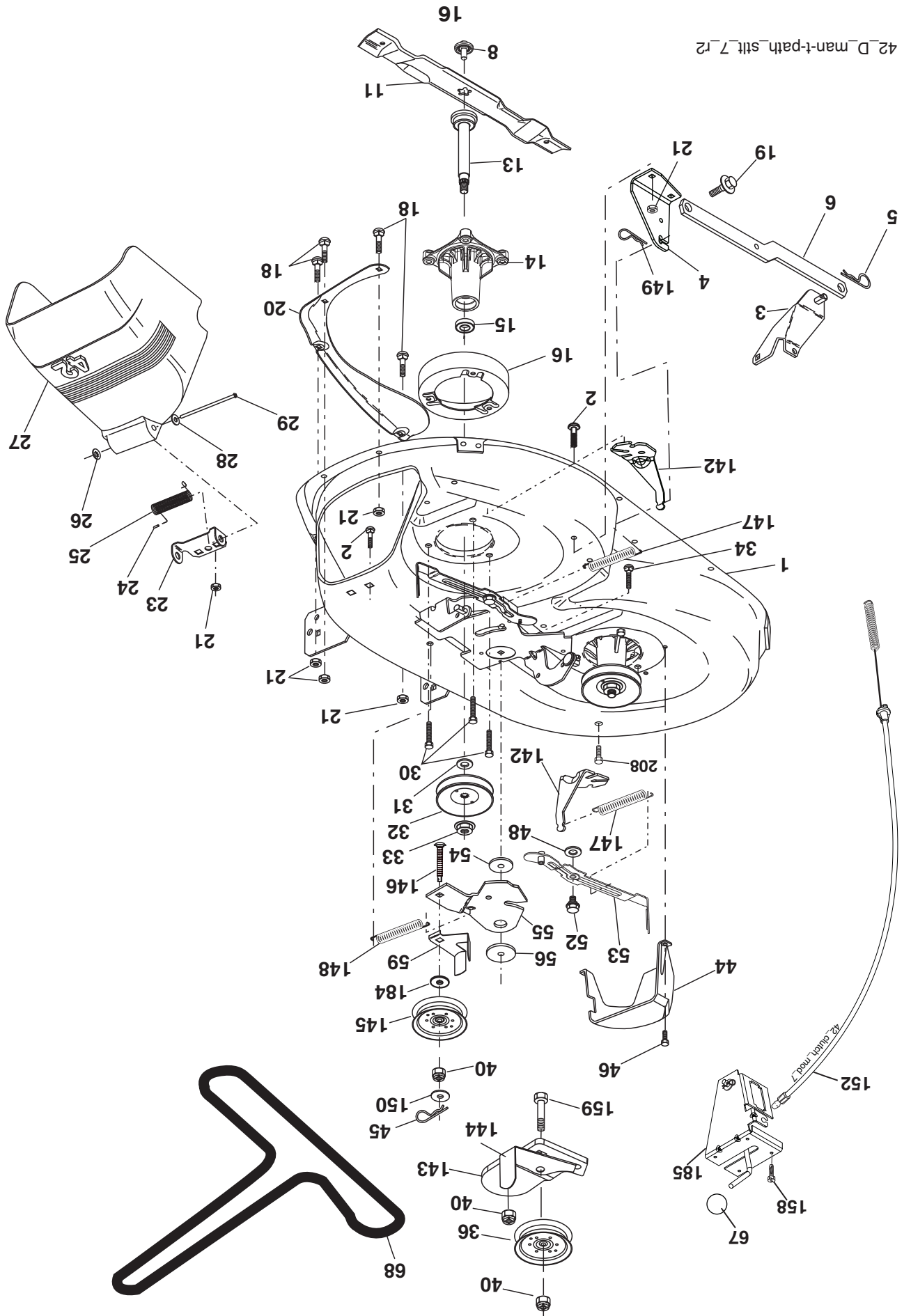
CARTER DE TONDEUSE

NO. DE REF. PIECE	DESCRIPTION	NO. DE REF. PIECE	DESCRIPTION
1	165892 Ensemble de carter de tondeuse 42"	33	400234 Ecrou frein
2	72140506 Boulon	34	72110612 Boulon 3/8-16 x 1-1/2 Cat.5
3	138017 Ensemble du support de barre de non	36	131494 Poulie de galet-tendeur plat
4	165460 Ensemble du support de barre de non	40	73900600 Ecrou frein 3/8-16
5	4939M Ressort de retenue	44	140088 Protecteur de mandrin C.G.
6	178024 Barre de balancement	45	4497H Arrêt-oi
8	193003 Boulon / rondelle 7/16-20 unt	46	137729 Vis à filets lamlnés 1/4-20 x 5/8 T
11	138971 (Les lames suivantes sont disponibles) Lame de portance élevée 42"/107cm Hi-Lift (pour mettre en sac ou déverser) /107cm (pour les tondeuses déchique-	48	133944 Rondelle durcie
--	134149 Lame déchiqueteuse standard 42"	52	139888 Boulon à épaulement 5/16-18 unc
--	139775 Lame déchiqueteuse de qualité supérieure 42"/107cm Premium (pour une meilleure résistance à l'usure lors du déchiquetage)	53	184907 Coussin de l'ensemble du levier de frein
13	192872 Ensemble de l'arbre de mandrin	54	178515 Rondelle durcie
14	187281 Boîtier du mandrin	55	155046 Bras de galet-tendeur
15	110485X Roulement à billes du mandrin	56	165723 Entretien de retenue
16	174493 Dispositif du courant à air de tondeuse	59	141043 Protecteur du galet-tendeur TVV
18	72140505 Boulon de chariot 5/16-18 x 5/8	67	106932X Boulon
19	132827 Boulon à épaulement	68	144959 Courroie trapézoïdale de tondeuse 42"
20	159770 Ôhricane	142	195784 Ressort
21	73680500 Ecrou	143	157109 Support 42"
24	105304X Capuchon de manchon	144	158634 Guide-courroie
25	123713X Ressort de torsion de déflecteur	145	165888 Poulie du galet-tendeur
26	110452X Rondelle frein	146	171977 Galet-tendeur
27	130968X428 Défecteur de décharge	147	131335 Ressort de traction
28	19111016 Rondelle 1 1/32 x 5/8 x 16 Ja.	148	169022 Ressort de retenue
29	131491 Tige à charnière	149	165898 Ressort de retenue
30	173984 Vis	150	19091210 Rondelle 9/32 x 3/4 x 10 Ja.
31	187690 Rondelle d'entretoisement de tondeuse	152	169676 Câble d'embrayage
32	153535 Poulie de mandrin	158	17720408 Vis H 1/4-20 x 1/2
		159	72140614 Boulon 3/8-16 unc x 1-3/4
		184	19131410 Rondelle 13/32 x 7/8 x 10
		185	188234 Câble d'embrayage
		208	17670608 Vis 3/8 x 16 x 1/2
		--	192870 Ensemble du mandrin (Inclut boîtier, ensemble arbre, et palier seulement - poulie/écrou/rondelle et lame, boulon/rondelle ne pas inclut)
		--	418031 Ensemble du carter de tondeuse complet

REMARQUE: Toutes les dimensions de composant sont données en pouces E.U. --1 pouce = 25,4 mm.

TRACTEUR - - NO. DE MODELE PXT16542 (96016001700), NO. DE PRODUIT 960 16 00-17

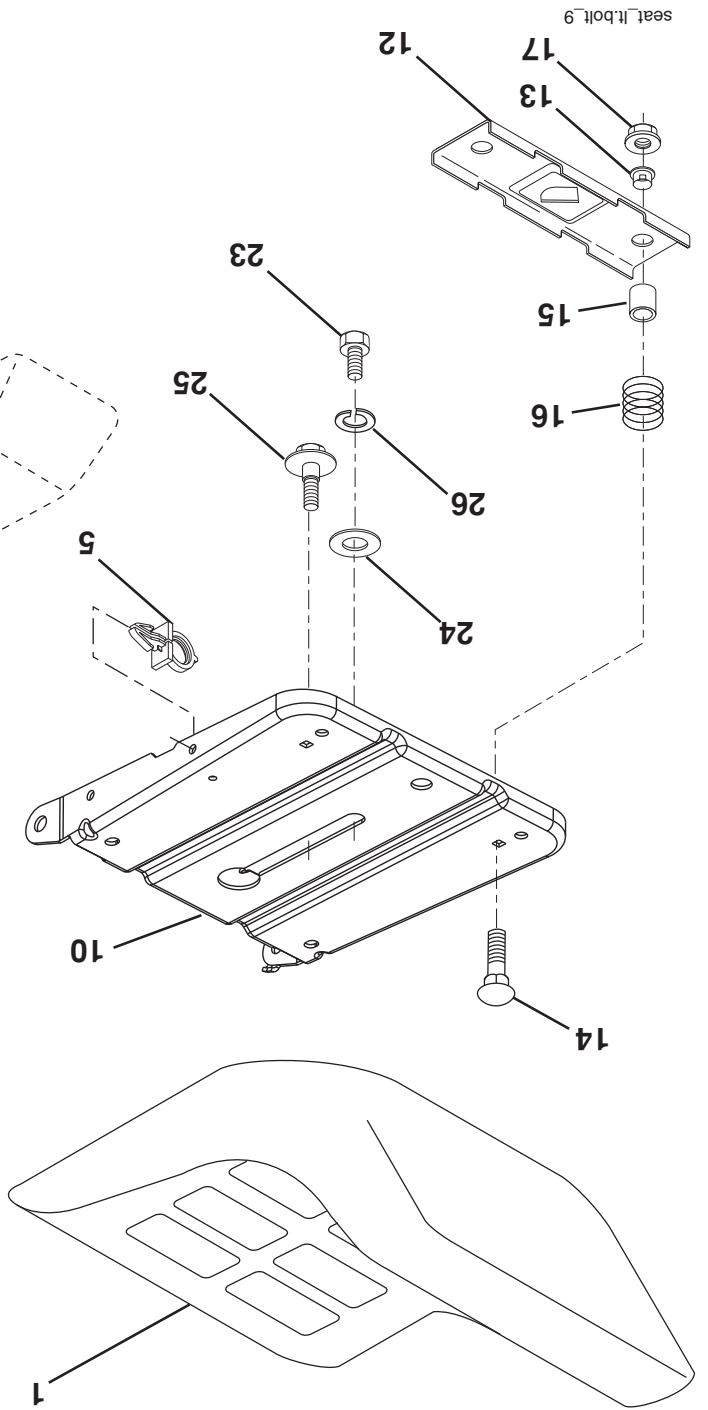
CARTER DE TONDEUSE



42_D_man-t-path_sflt_7_r2

TRACTEUR - - NO. DE MODÈLE PXT16542 (96016001700), NO. DE PRODUIT 960 16 00-17

ENSEMBLE DU SIÈGE



NO. DE PIÈCE
REF. NO.

DESCRIPTION

1	401042	Siège
2	14051	Support de pivot de siège
3	71110616	Boulon
4	19131610	Rondelle 13/32 x 3/4 x 10 Ja.
5	145006	Collier pressé
6	73800600	Ecrou
7	124181X	Ressort de compression de siège
8	17000616	Vis 3/8-16 x 1,5
9	19131614	Rondelle 13/32 x 1 x 14 Ja.
10	19530	Cuvette de siège
11	17468	Support de montage de l'interrupteur
12	121248X	Douille de bouton-pression
13	72050412	Boulon de chariot 1/4-20 x 1-1/2

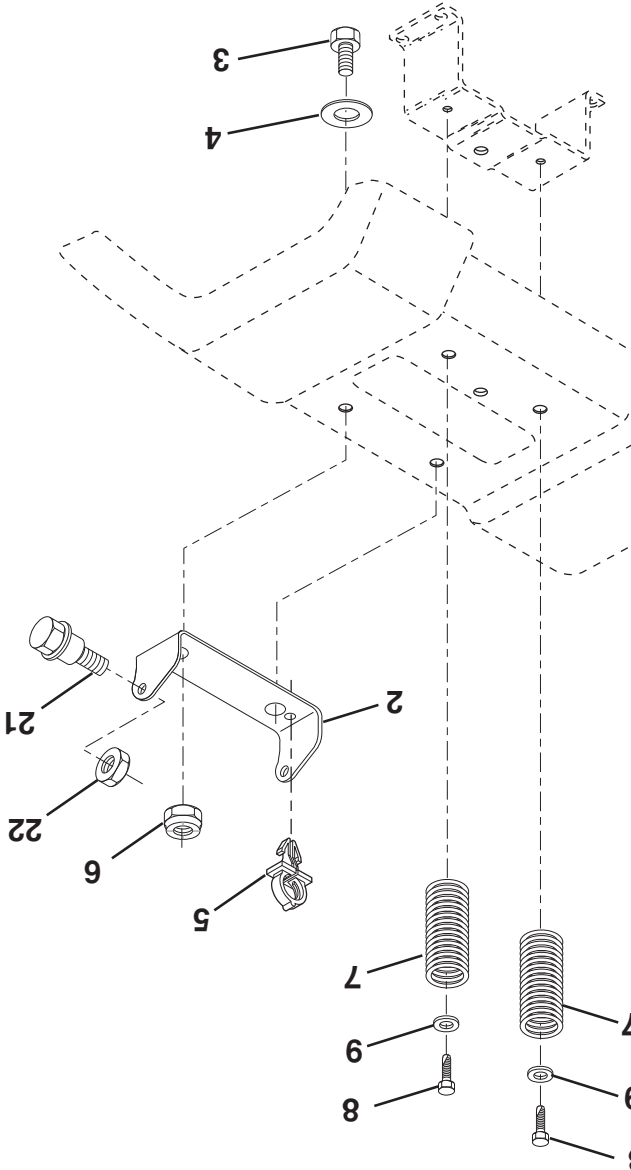
15

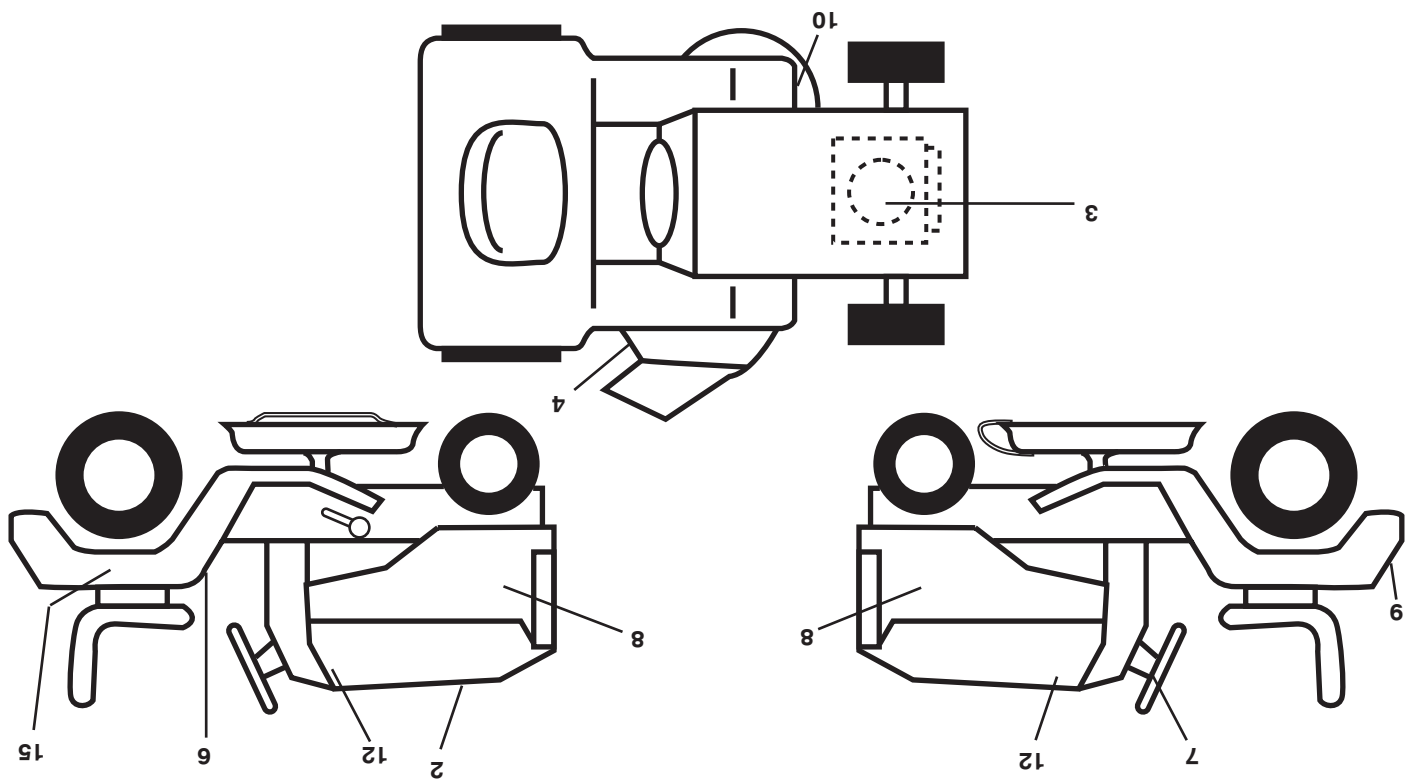
REMARQUE: Toutes les dimensions de composant sont données en pouces E.-U. -- 1 pouce = 25,4 mm.

NO. DE PIÈCE
REF. NO.

DESCRIPTION

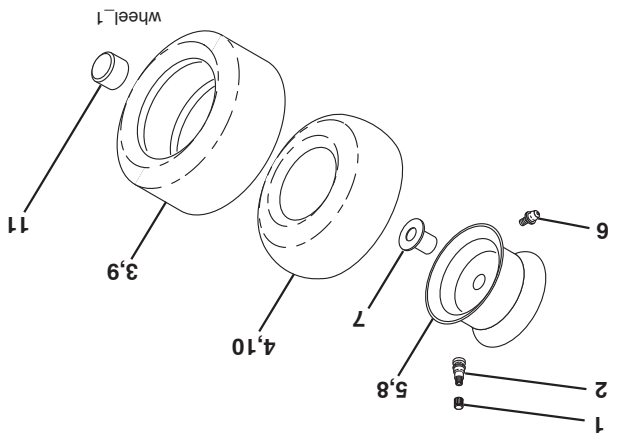
15	134300	Entreeuse fendue
16	121250X	Ressort de compression
17	123976X	Ecrou frein à bride grande/1/4 Cat. 5
21	171852	Boulon à épaulement 5/16-18 unc-2A
22	73800500	Ecrou
23	71110814	Boulon H
24	19171912	Rondelle 17/32 x 1-3/16 x 12 Ja.
25	127018X	Boulon à épaulement 5/16-18 x 62
26	10040800	Rondelle frein





NO. DE PIÈCE	DESCRIPTION	NO. DE PIÈCE	DESCRIPTION
1	Décalcomanie, d'avertissement	12	Décalcomanie de capot
2	Décalcomanie Remplacer	15	Décalcomanie de danger/poison de batterie
3	Décalcomanie de C.V. du moteur	--	Coussin du repose-pied (C.D.)
4	Décalcomanie d'avertissement	--	Coussin du repose-pied (C.G.)
6	Décalcomanie d'aile d'avertissement	--	Décalcomanie de capot E85
7	Décalcomanie, l'insert du volant de direction	--	d'avertissement
8	Décalcomanie	138311	Décalcomanie de poignée de levage
9	Décalcomanie du l'aile	42434	Manuel du l'opérateur (anglais/français)
10	Décalcomanie de schéma de courroie	424635	Manuel du l'opérateur (espagnol)
		423307	Manuel du pièces (anglais/français)

ROUES & PNEUS



NO. DE PIÈCE	DESCRIPTION	NO. DE PIÈCE	DESCRIPTION
1	59192	1	Capuchon de valve de pneu
2	65139	2	Tubulure de valve
3	106222X	3	Pneu antérieur
4	59904	4	Chambre à air antérieure (non fournie)
5	106732X643	5	Ensemble de la jante antérieure 6 po.
6	278H	6	Graisneur (roue antérieure seulement)
7	9040H	7	Palier à bride (roue antérieure seulement)
8	106108X643	8	Ensemble de la jante arrière 8 po.
9	420531	9	Pneu arrière
10	7152J	10	Chambre à air arrière (non fournie)
11	104757X643	11	Capuchon de l'essieu
--	144334	--	Joint d'étanchéité de pneu (tube de .30L [10 oz.]

REMARQUE: Toutes les dimensions de composant sont données en pouces E.-U. -- 1 pouce = 25,4 mm.

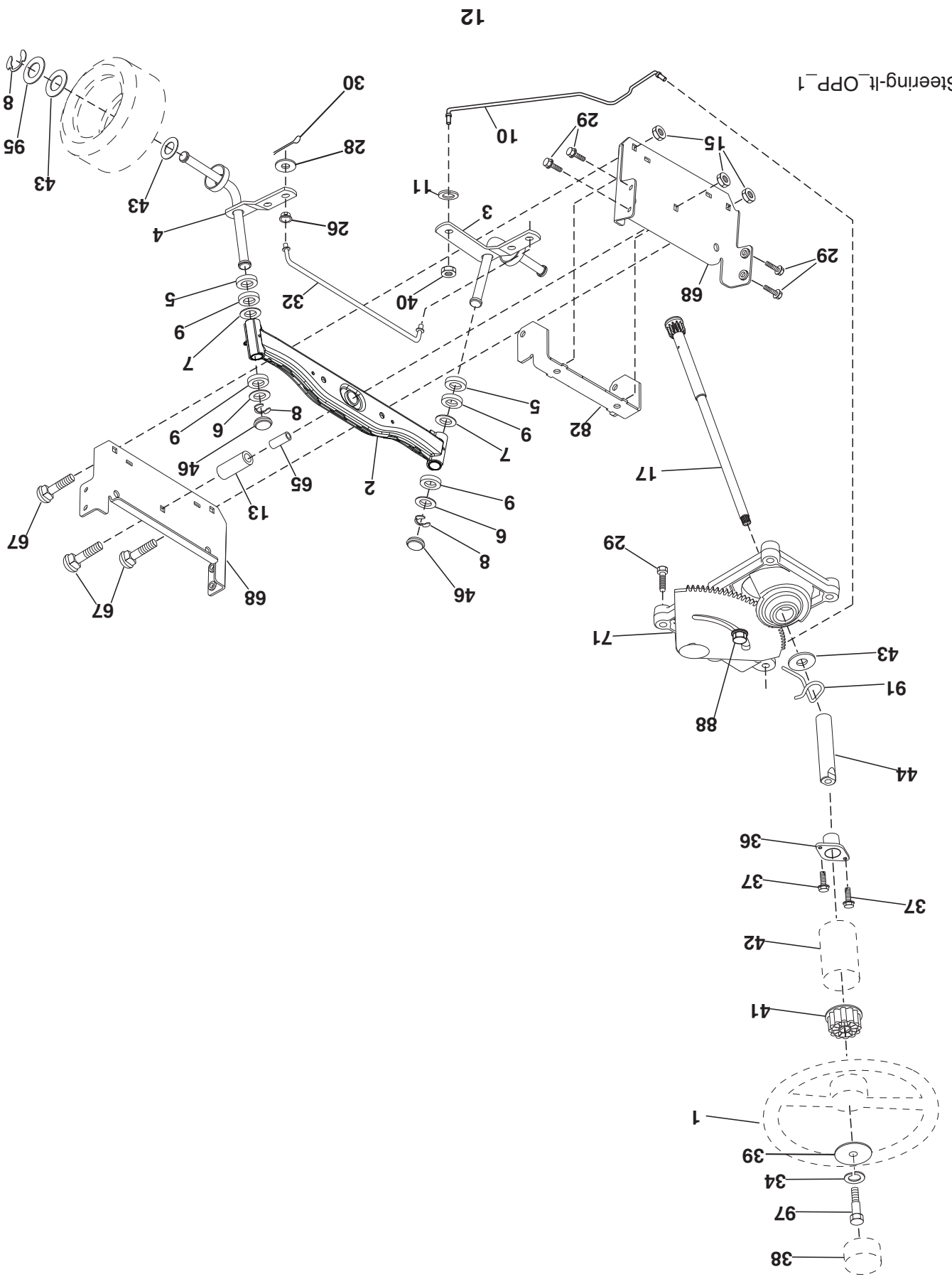
TRACTEUR - - NO. DE MODÈLE PXT16542 (96016001700), NO. DE PRODUIT 960 16 00-17

ENSEMBLE DE LA DIRECTION

NO. DÉ	NO. PIÈCE	DESCRIPTION
1	186780	Volant de direction
2	418168	Ensemble d'essieu antérieur
3	169840	Ensemble de broche C.G.
4	169839	Ensemble de broche C.D.
5	6266H	Rondelle .75 x 1.230
6	121748X	Rondelle 25/32 x 1 5/8 x 16 Ja.
7	19272016	Rondelle 27/32 x 1-1/4 x 16 Ja.
8	1200029	Rondelle clip
9	3366R	Palier de colonne de direction
10	175121	Barre de direction
11	10040600	Rondelle frein 3/8
13	136518	Entretoise
15	145212	Ecroû frein à collet
17	411386	Ensemble de l'arbre de direction
26	126847X	Douille de barre d'accouplement
28	19131416	Rondelle 13/32 x 7/8 x 16 Ja.
29	17000612	Vis 3/8-16 x 3/4
30	76020412	Goupille
32	192757	Barre d'accouplement
34	10040500	Rondelle frein 5/16
36	155099	Douille de direction
37	152927	Vis à chapeau n°10-32 x 4 x 3/8
38	192916	Insert de chapeau du volant de direction
39	19113812	Rondelle 1 1/32 x 2 3/8 x 12 Ja.
40	73540600	Ecroû auto-serrant 3/8-24
41	186737	Adaptateur du volant de direction
42	145054X428	Manchon de l'arbre de direction
43	121749X	Rondelle 25/32 x 1 1/4 x 16 Ja.
44	190752	Direction de rallongement
46	121232X	Chapeau de broche
65	414736	Essieu d'entrotoise
67	72110618	Boulon 3/8-16 x 2-1/4
68	169827	Moise
71	175146	Ensemble de direction
82	199978	Support
88	175118	Boulon 7/16-20
91	175553	Pince
95	188967	Rondelle .793 x 1.637 x 060
97	74780564	Boulon 5/16-18 x 4

REMARQUE: Toutes les dimensions de composant sont données en pouces E.-U. -- 1 pouce = 25,4 mm.

Steering-It_OPF_1



12

NO. DE RÉF.	NO. PIÈCE	DESCRIPTION
1	170551	Commande des gaz
2	17720408	Vis taraudée H 1/4-20 x 1/2
3	-----	Moteur Briggs-No. de modèle 31C707 (Commandez les pièces par suite du fabricant du moteur)
4	137352	Silencieux d'échappement
13	165291	Garniture
14	148456	Tuyau
23	169837	Pare-chaaleur
29	137180	Pare-étincelles
31	407516	Réservoir d'essence
32	197725	Bouchon de réservoir d'essence
33	123487X	Bride de serrage du tuyau
37	401137	Conduite d'essence
38	181654	Bouchon de vidange d'huile
40	124028X	Douille de bouton-pression
44	17670412	Vis à tête rondelle à filets laminés H 1/4-20 x 3/4
45	17000612	Vis H 3/8-16
46	19091416	Rondelle 9/32 x 7/8 x 16 Ja.
72	192334	Vis 5/16-18 x 3/4
78	17060602	Vis 3/8-16 x 1-1/4
81	73510400	Ecroû H 1/4-20 unc

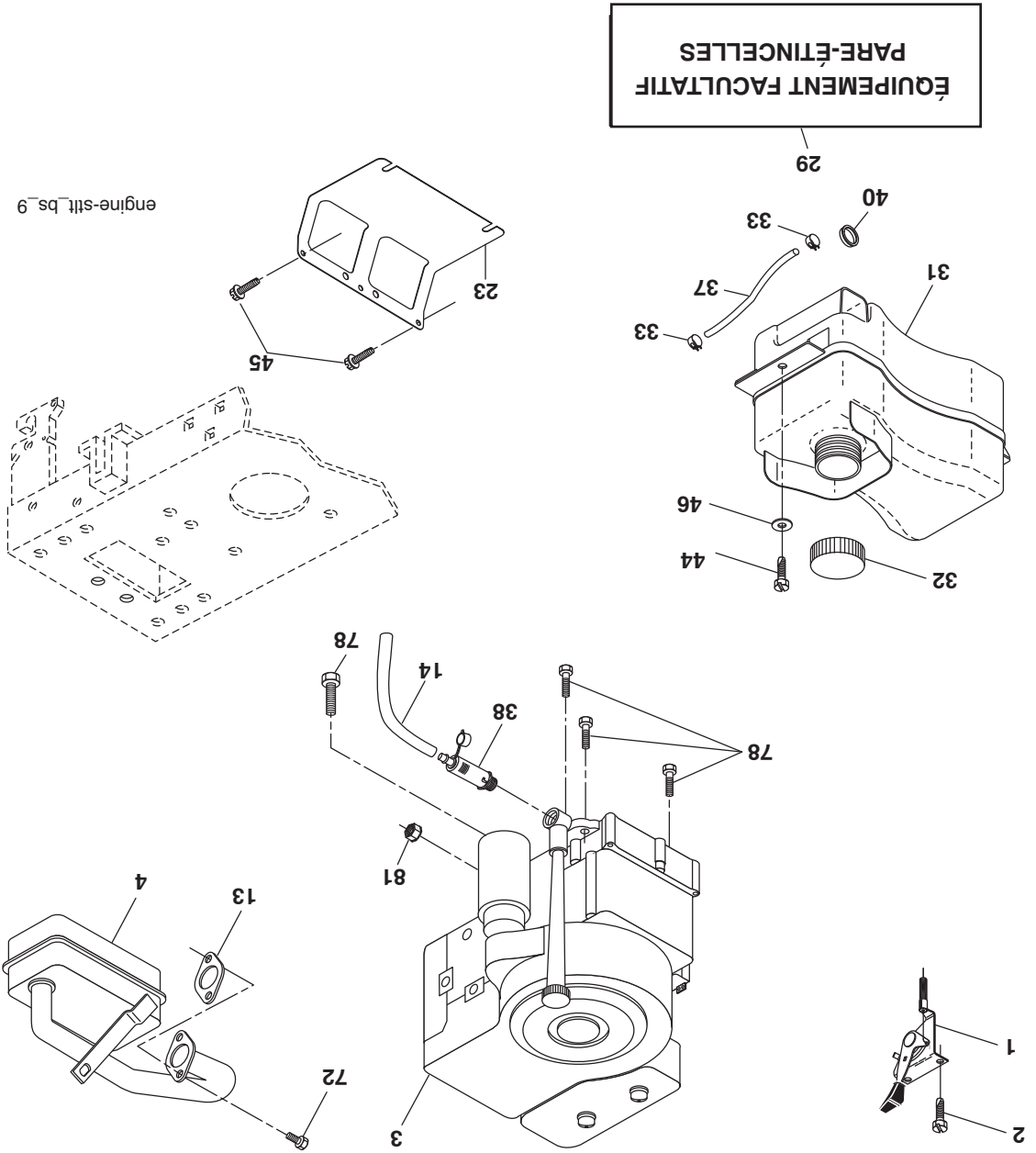
REMARQUE: Toutes les dimensions de composant sont données en pouces E.-U. — 1 pouce = 25,4 mm.

Pour des pièces de service et de rechange de moteur, réclamez le numéro de téléphone libre pour votre fabricant de moteur énuméré ci-dessous:

Briggs & Stratton 1-800-233-3723

L'INFORMATION DE CLASSEMENT DE POUVOIR DE MOTEUR

Le pouvoir brut évaluant pour les modèles de moteur de gaz individuellement étiqueté à SAE (la Société d'Ingénieurs Auto-moteurs) le code J11940 (le Petit Pouvoir de Moteur & le Moment de torsion Evaluant la Procédure), et l'exécution de classement a été obtenue et a été corrigée conformément à SAE J1995 (la Révision 2002-5). Le véritable pouvoir de moteur brut sera plus bas et est affecté par, entre autres choses, les conditions d'opération ambiantes et le moteur-à-la-variabilité de moteur. Donné les deux le tableau large de produits sur lesquels moteurs est placé et la variété de problèmes écologiques applicables à l'opération de l'équipement, le moteur de gaz ne développera pas le pouvoir de grosse évalué quand utilisé dans un morceau donné d'équipement de pouvoir (la puissance véritable, « sur place » ou nette). Cette différence est en raison d'une assortment de facteurs inclut, mais pas limité à, les accessoires (le nettoyeur d'air, l'échappement, charger, le refroidissement, le carburateur, la pompe de carburant, etc.), les limitations d'application, les conditions d'opération ambiantes (la température, l'humidité, l'altitude), et le moteur-à-la-variabilité de moteur. En raison des limitations de fabrication et capacité, Briggs & Stratton peut substituer un moteur de plus haut pouvoir évalué pour ce moteur de Feuilleton.

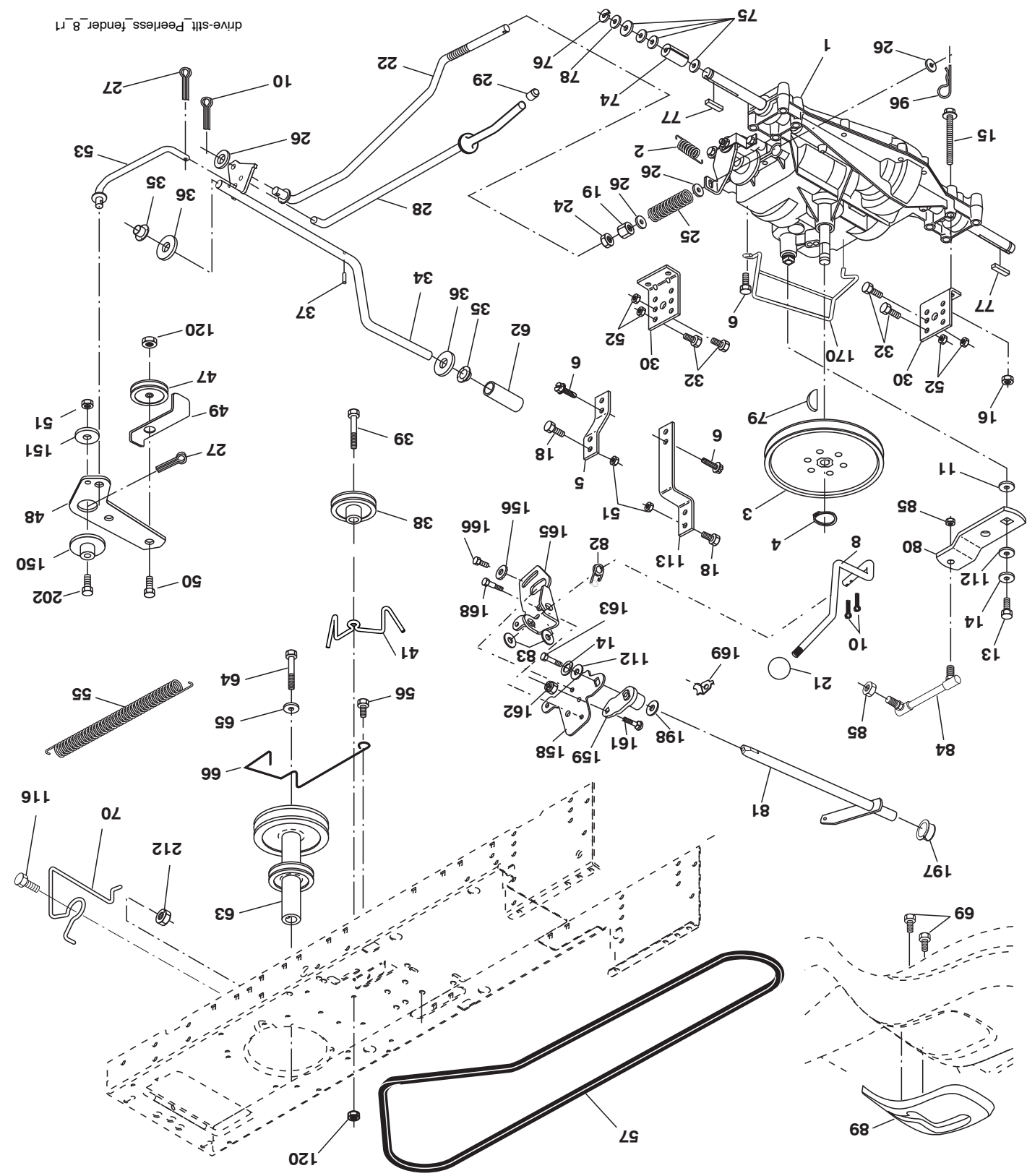


TRACTEUR - - NO. DE MODELE PXT16542 (96016001700), NO. DE PRODUIT 960 16 00-17

ENTRAINEMENT

NO. DÉ	NO. DÉ	DESCRIPTION	NO. DÉ	DESCRIPTION
1	-----	Transmission Peerless 206-545C	62	Couverture de la pédale
2	146682	Ressort de rappel du frein	64	Boulon H
3	123666X	Pouille de la transmission des pneus de 18"	65	Rondelle frein hélicoïdale à ressort 7/16
4	1200028	Bague de fermeture n°5100-62	66	Guide-courroie C.G. du moteur
5	121520X	Attache de torsion	69	Vis H
6	17060512	Vis 5/16-18 x .75	70	Guide-courroie de l'entraînement de
8	192706	Tige du changement de vitesse	74	Spacer Axlé
10	76020416	Goupille fendue 1/8 x 1	75	Rondelle 25/32 x 1-1/4 x 16 Ja.
11	105701X	Rondelle bombée	76	Bague en E n°5133-75
13	74550412	Boulon 1/4-28 unf Cat. 9	77	Clé carrée 2 0 x 1845/ 1865
14	10040400	Rondelle frein hélicoïdale 1/4	78	Rondelle 25/32 x 1-5/8 x 3/4
15	74490544	Boulon H 5/16-18 Cat. 5	79	Clé woodruff #9 3/16 x 3/4
16	73800500	Ecrou frein H	80	Bras de changement
18	74780616	Boulon H 3/8-16 unc x 1 Cat. 5	81	Ensemble de l'arbre
19	73800600	Ecrou frein H avec insert 3/8-16 unc	82	Ressort de torsion
21	106933X	Boulon	83	Rondelle 17/32 x 3/4 x 16 Ja.
22	130804	Tige du frein	84	Raccord
24	7350600	Contre-écrou H 3/8-16 unc	85	Ecrou frein central 1/4-28
25	106888X	Ressort de la tige du frein 2 00	89	Panneau du levier de changement
26	19131316	Rondelle 13/32 x 13/16 x 16 Ja.	96	Ressort de retenue
27	76020412	Goupille fendue 1/8 x 3/4	112	Rondelle 9/32 x 3/4 x 10 Ja.
28	175765	Tige du frein de stationnement	113	Attache de torsion
29	71673	Chapeau du frein de stationnement	116	W2140608
30	174973	Support de montage de la transmission	120	Ecrou frein
32	74760512	Boulon H 5/16-18 unc x 3/4	150	Ressort de retenue
34	17578	Arbre de l'ensemble de la pédale	151	Rondelle 13/32 x 2 x 10
35	120183X	Palier de nylon 629 Id	156	Rondelle 5/16 ID x 1.125
36	19211616	Rondelle 21/32 x 1 x 16 Ja.	158	Support de montage
37	1572H	Goupille mécanicus 3/16 x 1"	159	Moyeu
38	179114	Pouille	161	Boulon 1/4-20 x 3/4 Cat. 5
39	72110622	Boulon 3/8-16 unc x 2-3/4 Cat. 5	162	Ecrou auto-serrant
41	175556	Guide-courroie du gâlet-tendeur	163	Boulon H 1/4-20 unc x 1 Cat. 5
47	127783	Pouille du gâlet-tendeur trapézoïdal can-né	165	Pivot
48	154407	Levier coude de l'ensemble	166	Vis 5/16-18 x 5/8
49	123205X	Logement de retenue de la courroie à ressort	168	Boulon à épaulement
50	72110612	Boulon 3/8-16 x 1-1/2 Cat. 5	169	Attache
51	73680600	Ecrou auto-serrant 3/8-16 unc	170	Guide-courroie
52	73680500	Ecrou auto-serrant 5/16-18 unc	177	Douille de nylon
53	199652	Raccord d'embrayage	197	Douille de nylon
55	105709X	Ressort de rappel de l'embrayage 6 75	198	Rondelle de nylon
56	17060620	Vis 3/8-16 x 1-1/4	202	Boulon 3/8-16 unc x 1-3/4 Cat. 5
57	138255	Courroie trapézoïdale de masse 95 30	212	Ecrou frein H

REMARQUE: Toutes les dimensions de composant sont données en pouces E.-U. -- 1 pouce = 25,4 mm.



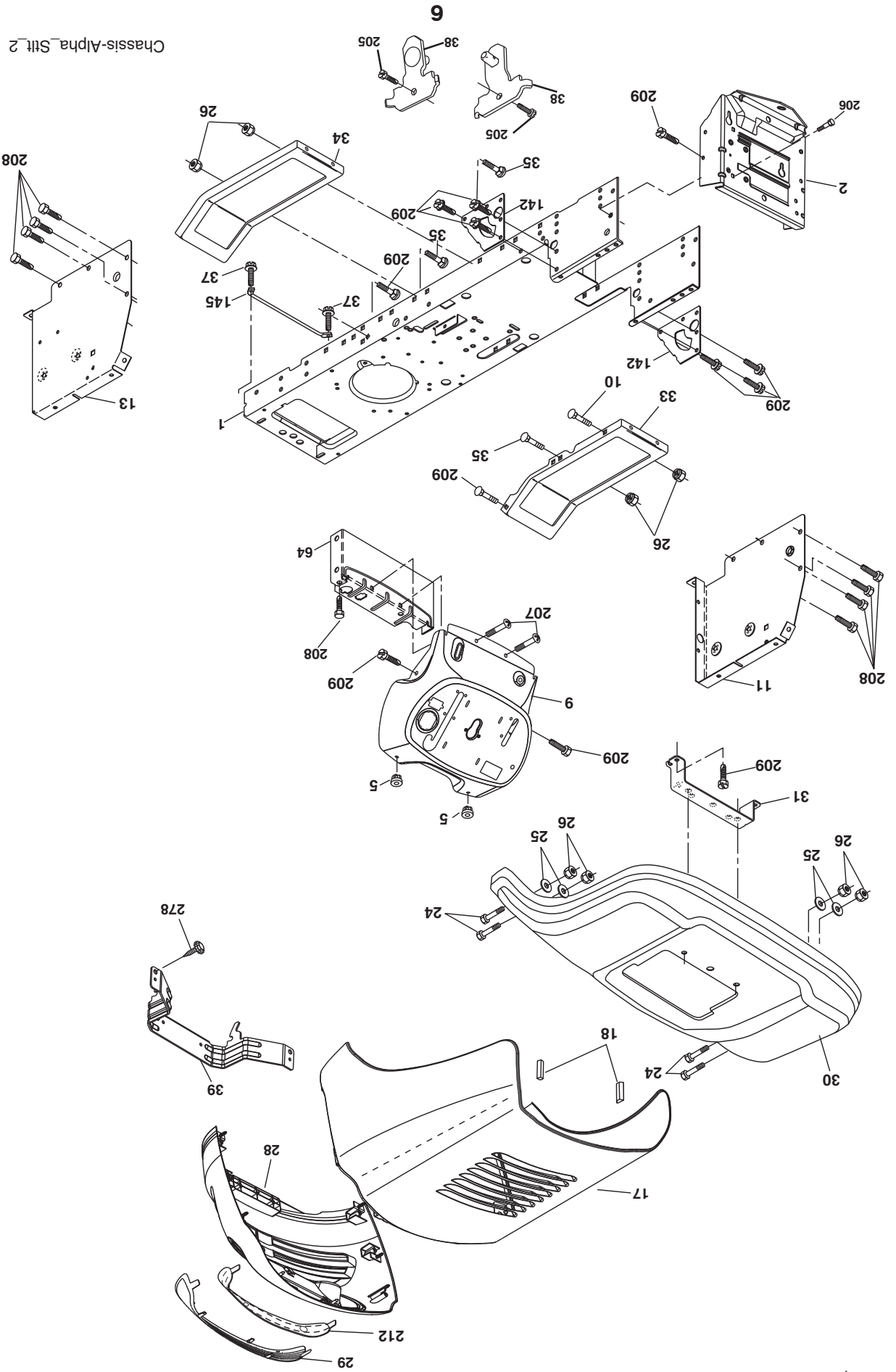
drive-slit_Peerless_fender_8_r1

TRACTEUR - - NO. DE MODELE PXT16542 (96016001700), NO. DE PRODUIT 960 16 00-17 CHASSIS/ENCEINTES

NO	DE	REF.	PIECE	DESCRIPTION
1		174619		Chassis
2		176554		Barre d'attelage
5		155272		Pare-chocs
9		193510X010		Tableau de bord
10		72140608		Boulon de chariot 3/8-16 x 1
11		174996		Panneau du tableau de bord C.G.
13		172105X010		Panneau du tableau de bord C.D.
17		187559X505		Ensemble du capot
18		184921		Coussin de capot
24		74780616		Boulon
25		19131312		Rondelle 13/32 x 13/16 x 12 Ja.
26		73800600		Ecroû
28		187598		Calandre (comprise les nos. de réf 29 et 212)
29		187567X599		Lentille
30		192526X505		Aile
31		136619		Support d'aile
33		179716X505		Repose-pieds C.G.
34		179717X505		Repose-pieds C.D.
35		72110606		Boulon
37		17490508		Vis 5/16-18 x 1/2 TYT
38		175710		Ensemble de support
39		187568		Support
64		154798		Abaissez le tiret
142		175702		Rentfort de plat
145		409167		Tige
205		17490608		Vis 3/8-16 x 1/2
206		170165		Boulon à épaulement
207		17670508		Vis 5/16-18 x 1/2
208		17670608		Vis 3/8-16 x 1/2
209		17000612		Vis H 3/8-16
212		187569		Insert de lentille
278		416358		Vis #10 x 0.750
--		5479J		Bouchon de bouton
--		187801		Bouchon

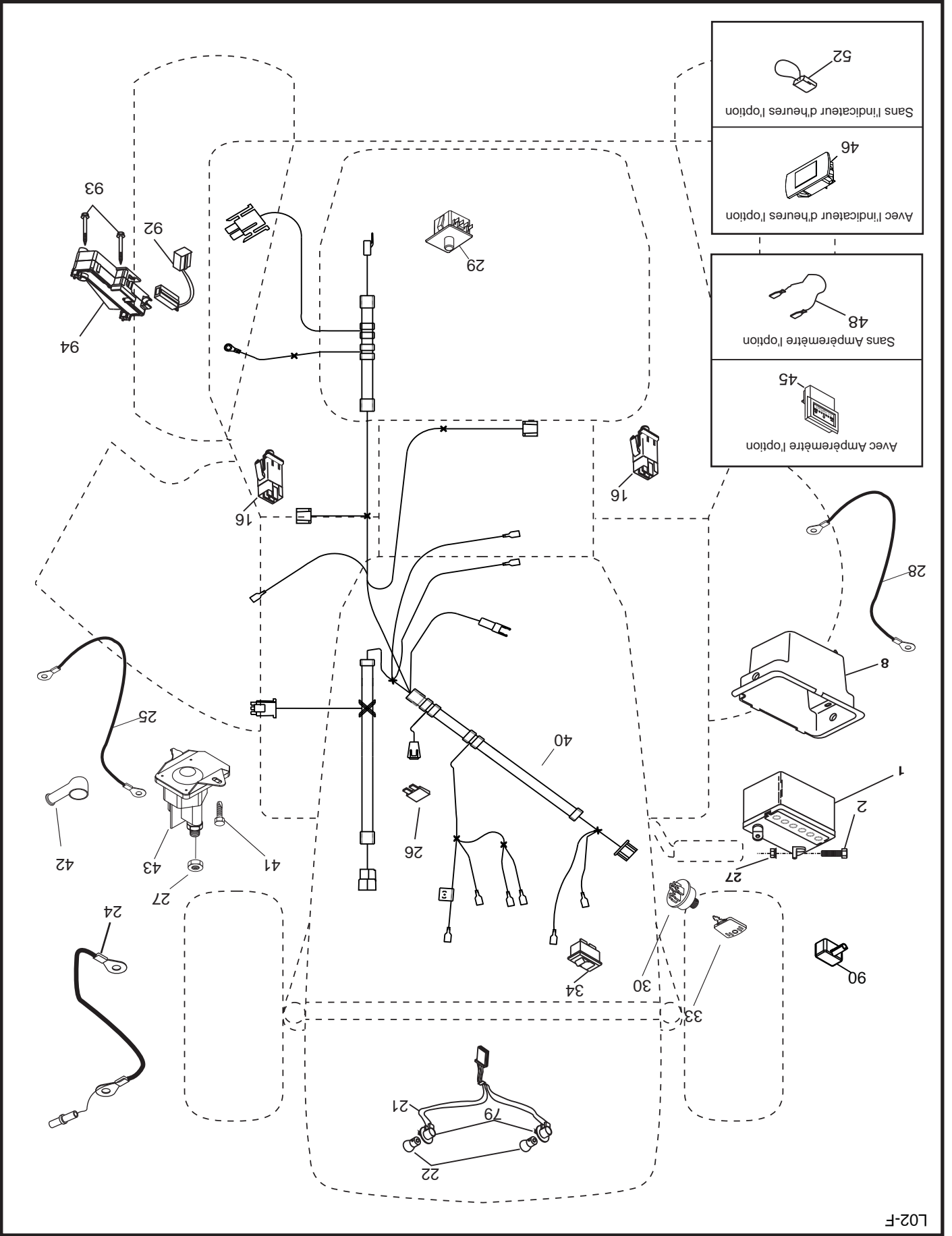
REMARQUE: Toutes les dimensions de composant sont données en pouces E.-U. -- 1 pouce = 25,4 mm.

TRACTEUR - - NO. DE MODELE PXT16542 (96016001700), NO. DE PRODUIT 960 16 00-17
 CHÂSSIS/ENCEINTES



NO.	DE	RÉF.	PIÈCE	DESCRIPTION
1		163465	Batterie	Batterie
2		74760412	Boulon H 1/4-20 unc x 3/4	Boulon H 1/4-20 unc x 3/4
8		176689	Bac de batterie	Bac de batterie
16		176138	Interrupteur de verrouillage	Interrupteur de verrouillage
21		175688	Harnais des prises de courant des phares avec 4152J	Harnais des prises de courant des phares avec 4152J
22		4152J	Ampoule N°1 156	Ampoule N°1 156
24		421299	Câble de batterie de 6 ja de 11 po. - rouge	Câble de batterie de 6 ja de 11 po. - rouge
25		421297	Câble de batterie de 6 ja avec un fil de 16 po. - rouge	Câble de batterie de 6 ja avec un fil de 16 po. - rouge
26		175158	Fusible de 20 AMP	Fusible de 20 AMP
27		73510400	Écrou à taquets 1/4-20 unc	Écrou à taquets 1/4-20 unc
28		421298	Câble de masse de 6 ja de 12 po. - noir	Câble de masse de 6 ja de 12 po. - noir
29		192749	Interrupteur	Interrupteur
30		193350	Contacteur d'allumage	Contacteur d'allumage
33		411933	Cle / chaîne	Cle / chaîne
34		110712X	Interrupteur	Interrupteur
40		197428	Harnais des câbles d'allumage	Harnais des câbles d'allumage
41		71110408	Boulon H 1/4-20 x 1/2	Boulon H 1/4-20 x 1/2
42		131563	Couverture de borne	Couverture de borne
43		192507	Solénoïde	Solénoïde
48		140844	Adaptateur de l'ampèremètre rectangulaire	Adaptateur de l'ampèremètre rectangulaire
52		141940	Fil en forme de boucle de protection	Fil en forme de boucle de protection
79		175242	Prise de courant du phare	Prise de courant du phare
90		180449	Couverture	Couverture
92		196615	Harnais	Harnais
93		192540	Vis 10-14 x 2.0	Vis 10-14 x 2.0
94		191834	Inverse du module ROS	Inverse du module ROS

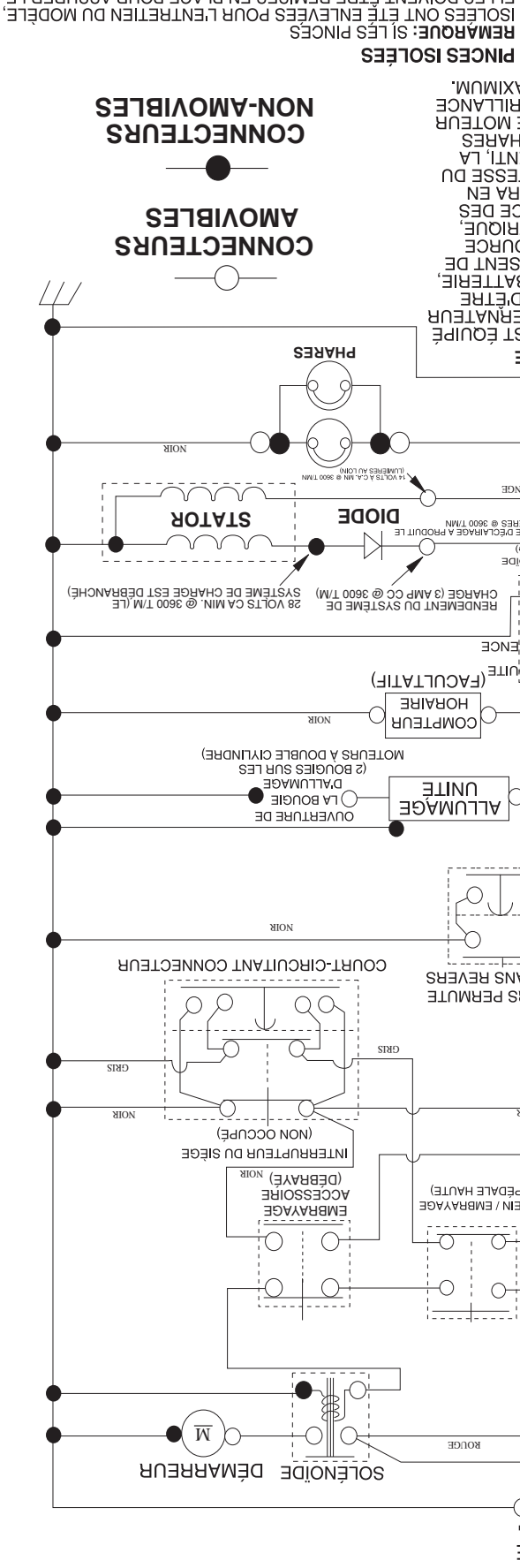
REMARQUE: Toutes les dimensions de composant sont données en pouces E.-U. --1 pouce = 25,4 mm.



TRACTEUR - - NO. DE MODELE PXT16542 (96016001700), NO. DE PRODUIT 960 16 00-17

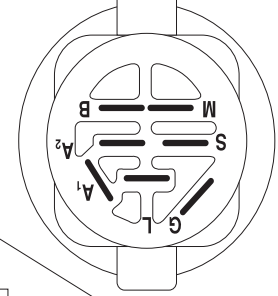
SCHEMA

SCH03-F



POSITION	CIRCUIT "FAITS"
ARRÊT	M+G+A1
MARCHE/ALLUMAGE	B+A1
MARCHE	B+A1
DÉPARTAGE	B + S + A1

CONTACTEUR D'ALLUMAGE



REMARQUE

VOTRE TRACTEUR EST ÉQUIPÉ D'UN SYSTÈME D'ALTERNATEUR SPÉCIAL AU LIEU D'ÊTRE BRANCHÉ SUR LA BATTERIE. LES PHARES DISPOSENT DE LEUR PROPRE SOURCE D'ÉNERGIE ÉLECTRIQUE, DONC LA BRILLANCE DES PHARES CHANGERA EN FONCTION DE LA VITESSE DU MOTEUR. AU RALENTI, LA BRILLANCE DES PHARES BAISSERA: QUAND LE MOTEUR EST ACCÉLÉRÉ, LA BRILLANCE ATTEINDRA SON MAXIMUM.

PINCES ISOLÉES

REMARQUE: SI LES PINCES ISOLÉES ONT ÉTÉ ENLEVÉES POUR L'ENTRETIEN DU MODÈLE, ELLES DOIVENT ÊTRE REMISES EN PLACE POUR ASSURER LE BON FONCTIONNEMENT DU CÂBLAGE.

CONNECTEURS AMOVIBLES

CONNECTEURS NON-AMOVIBLES

COMMENT UTILISER CE MANUEL

Ce manuel a été dessiné pour fournir le client avec les moyens d'identification des pièces de détails du tracteur quand il/elle a besoin de commander les pièces de rechange. Les illustrations ne peuvent pas représenter exactement le modèle que vous avez acheté. N'utilisez pas ce manuel comme un guide dans le montage et/ou démontage de votre tracteur. La visserie montrée est plus grande pour faciliter l'identification.

Chaque tracteur a un numéro de modèle particulier.

Le numéro de modèle du produit se trouvera sur l'aile, dessous le siège.

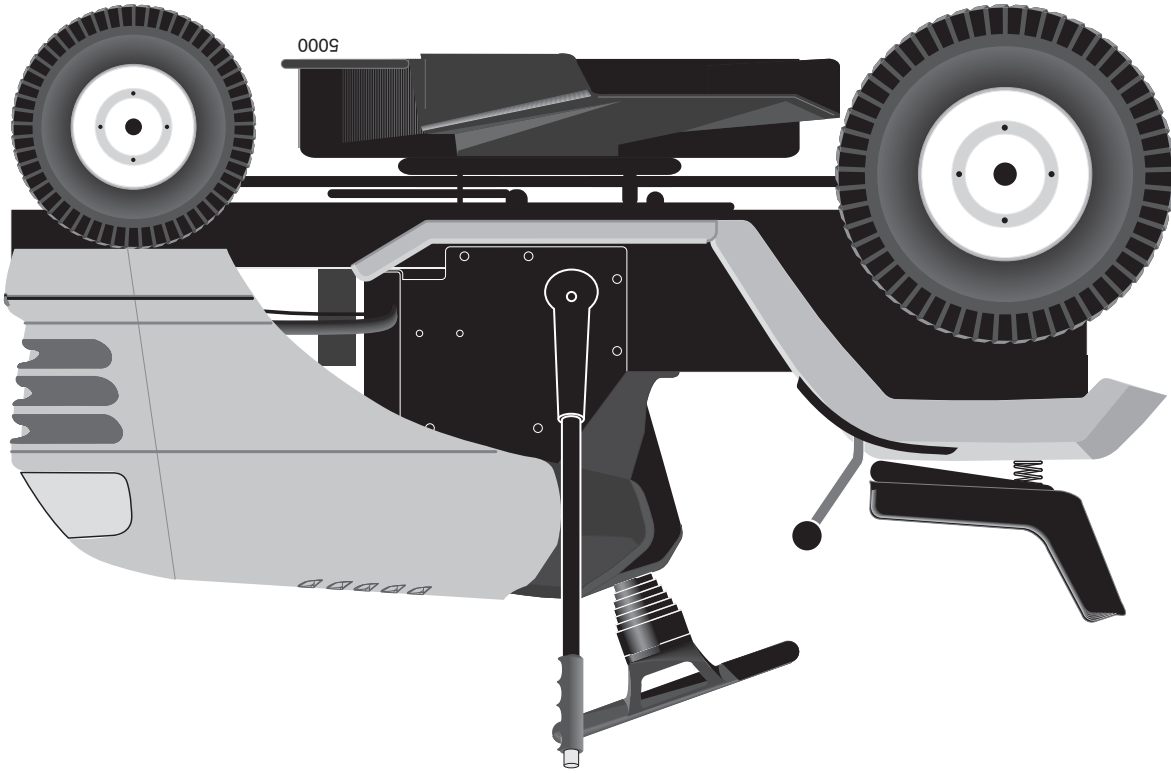
Lorsque vous commandez des pièces de rechange, donnez toujours les renseignements suivants:

- Produit - "Tracteur"
- NUMÉRO DU MODÈLE - "PXT16542 (96016001700)"
- Numéro de la Pièce
- Description de la Pièce

TABLE DE MATIERES

SCHEMA.....	3
ELECTRIQUE.....	4-5
CHASSIS/ENCEINTES.....	6-7
ENTRAÎNEMENT.....	8-9
MOTEUR.....	10-11
ENSEMBLE DE LA DIRECTION.....	12-13
DECALCOMANIES.....	14
ENSEMBLE DU SIÈGE.....	15
CARTER DE TONDEUSE.....	16-17
LEVAGE DE LA TONDEUSE.....	18
GARANTIE.....	VERS O DE LA PAGE

Poulan



MANUEL DE PARTIES DE RÉPARATION

MODÈLE:

PXT16542

TRACTEUR DE PELOUSE

PORTEZ TOUJOURS DES LUNETTES DE SÉCURITÉ LORS DE L'UTILISATION.

Visitez notre site web : www.poulan-pro.com

Lisez soigneusement le Manuel suivez tous les Avertissements et les Instructions de Sécurité. Les blessures sérieuses peuvent en résulter si vous ne lisez pas ces Avertissements et Instructions de Sécurité.

AVERTISSEMENT: 