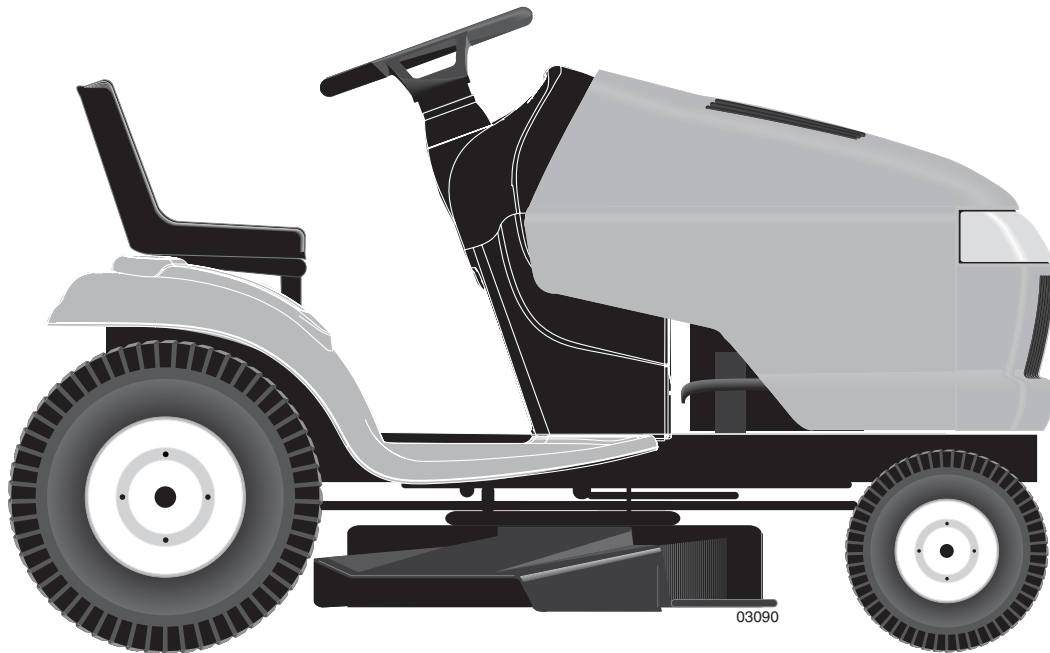


IMPORTANT MANUAL

Do Not Throw Away

Poulan PRO



REPAIR PARTS MANUAL

MODEL:

PBGT26H54

GARDEN TRACTOR

ALWAYS WEAR EYE PROTECTION DURING OPERATION

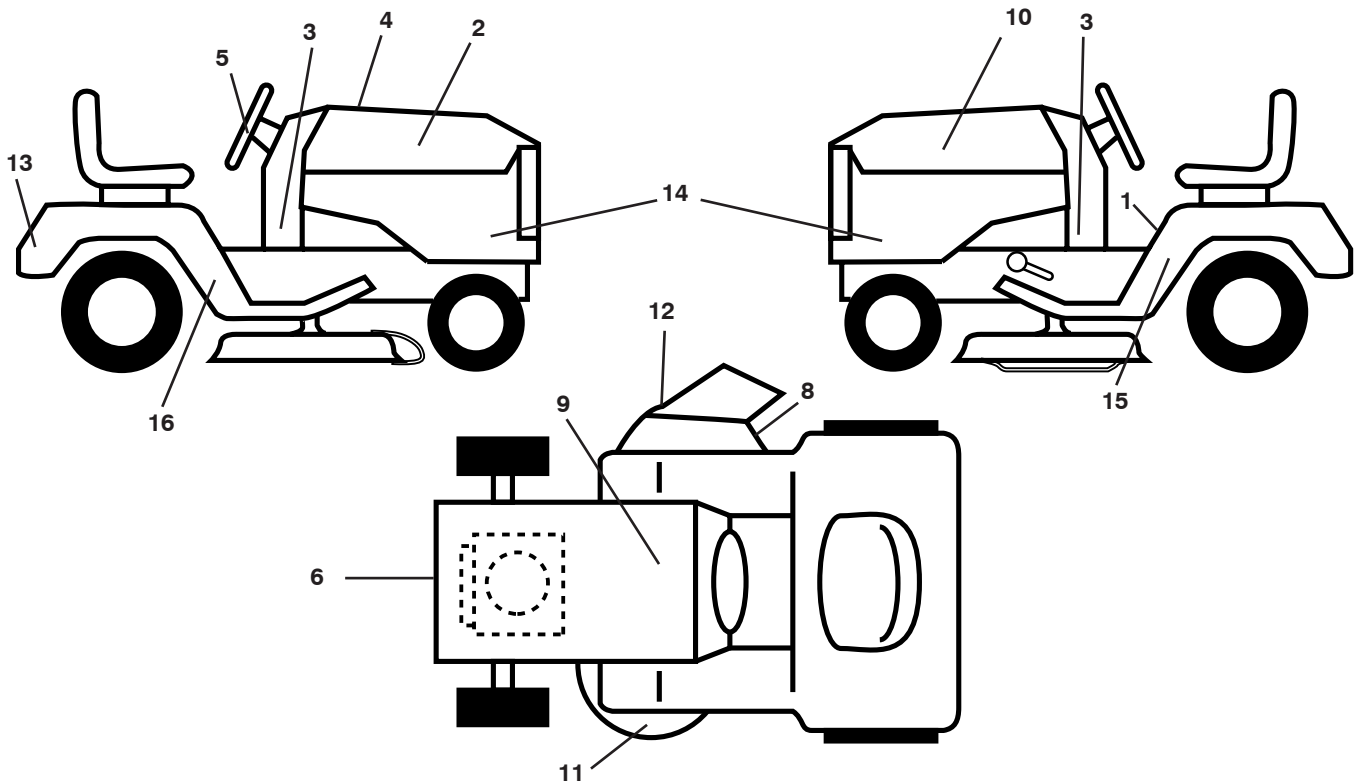
Visit our website: www.poulan-pro.com



WARNING:

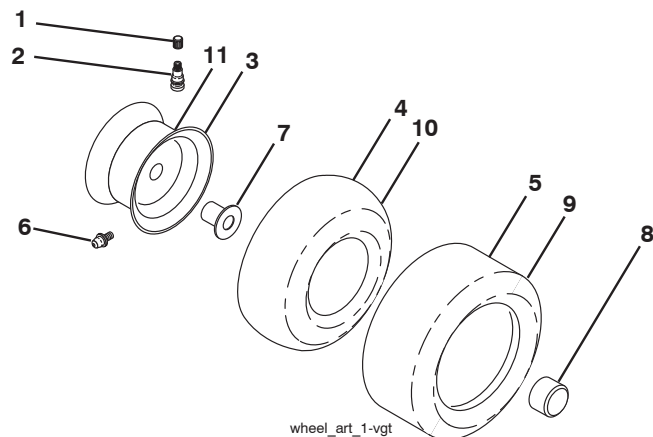
Read this Manual and follow all Warnings and Safety Instructions. Failure to do so can result in serious injury.

**TRACTOR - - MODEL NUMBER PBGT26H54 (96042004003), PRODUCT NO. 960 42 00-40
DECALS**



KEY NO.	PART NO.	DESCRIPTION	KEY NO.	PART NO.	DESCRIPTION
1	411658	Decal, Operator's	12	170563	Decal, Mower Warning Keep Hand Away
2	402355	Decal, Hood RH	13	172740	Decal, Fender
3	402525	Decal, Dash Lower	14	408796	Decal, Panel SD
4	411140	Decal, Replacement	15	408948	Decal, Fender SD LH
5	172743	Decal, Strg Whl	16	408949	Decal, Fender SD RH
6	408843	Decal, Engine HP	--	166960	Decal, Bypass
8	198785	Decal, Mower Sch.	--	193279X428	Pad, Footrest, LH
9	145005	Decal, Battery Dnge/Poi	--	193101X428	Pad, Footrest, RH
10	402357	Decal, Hood LH	--	409631	Manual, Operator's (Eng & French)
11	178502	Decal, Mower Caution	--	419061	Manual, Parts

WHEELS AND TIRES

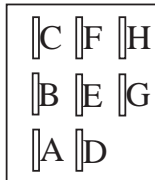
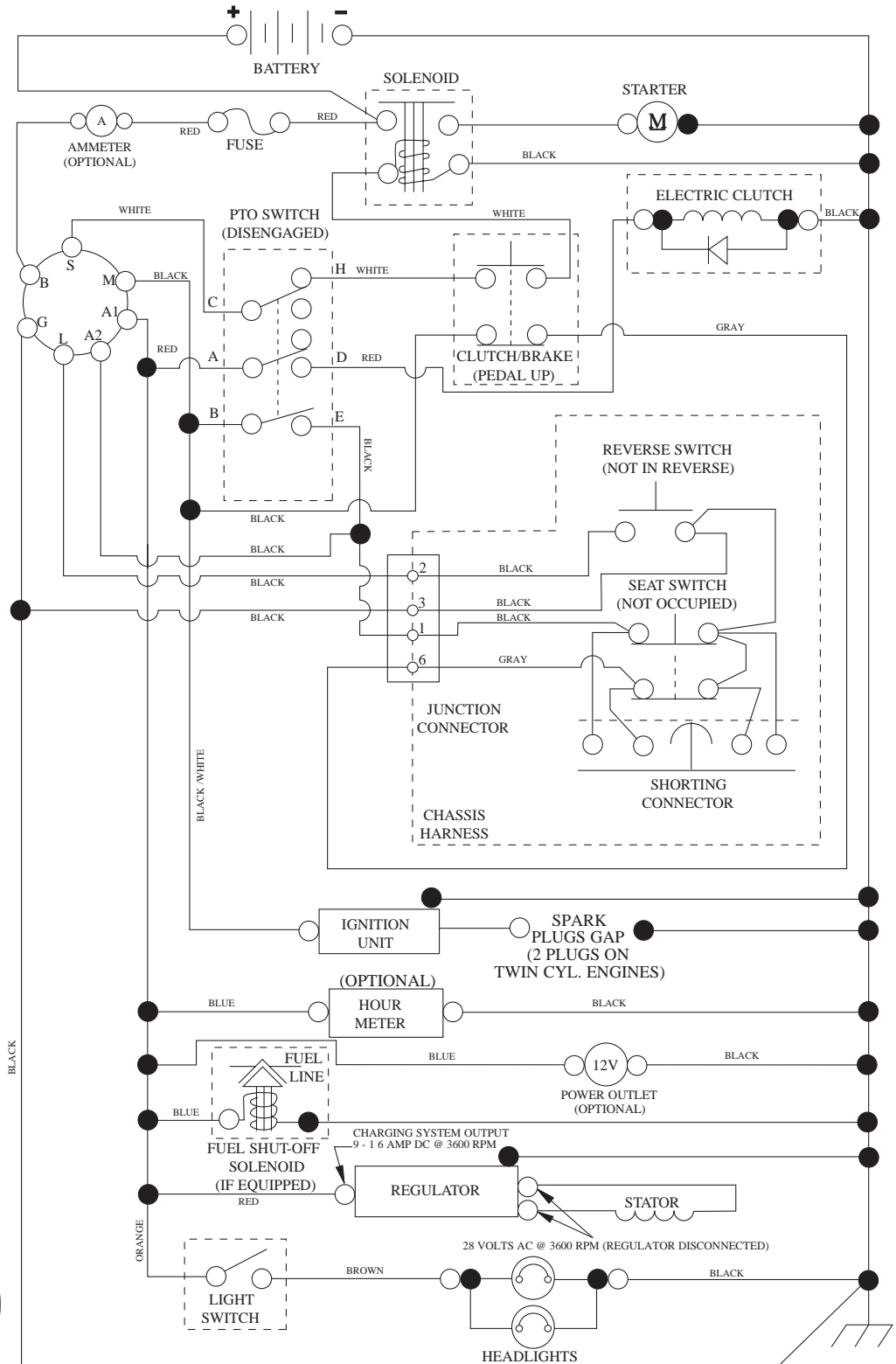


KEY NO.	PART NO.	DESCRIPTION
1	59192	Cap, Valve, Tire
2	65139	Stem, Valve
3	106228X421	Rim Assembly, Front
4	8134H	Tube, Front (Service Item Only)
5	106230X	Tire, Front
6	278H	Fitting, Grease (Front Wheel Only)
7	9040H	Bearing, Flange (Front Wheel Only)
8	104757X421	Cap, Axle (Front Wheel Only)
9	105588X	Tire, Rear
10	7154J	Tube, Rear (Service Item Only)
11	124074X421	Rim Assembly, Rear
--	144334	Sealant, Tire (10 oz. Tube)

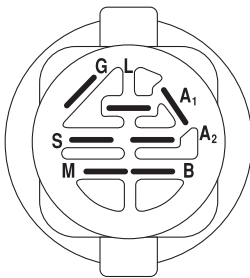
NOTE: All component dimensions given in U.S. inches
1 inch = 25.4 mm

TRACTOR - - MODEL NUMBER PBGT26H54 (96042004003), PRODUCT NO. 960 42 00-40 SCHEMATIC

SCH12



PTO SWITCH (MATING SIDE)

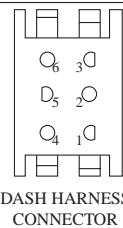


IGNITION SWITCH

POSITION	CIRCUIT	"MAKE"
OFF	M+G+A1	
RUN/OVERRIDE	B+A1	
RUN	B+A1	L+A2
START	B + S + A1	



CHASSIS HARNESS CONNECTOR (MATING SIDE)



DASH HARNESS CONNECTOR

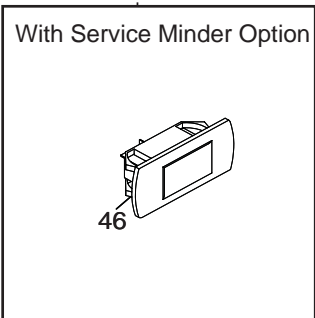
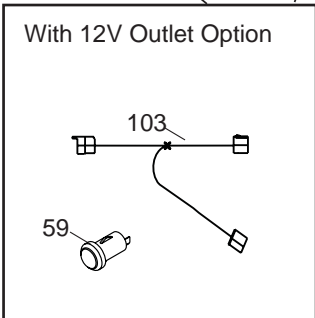
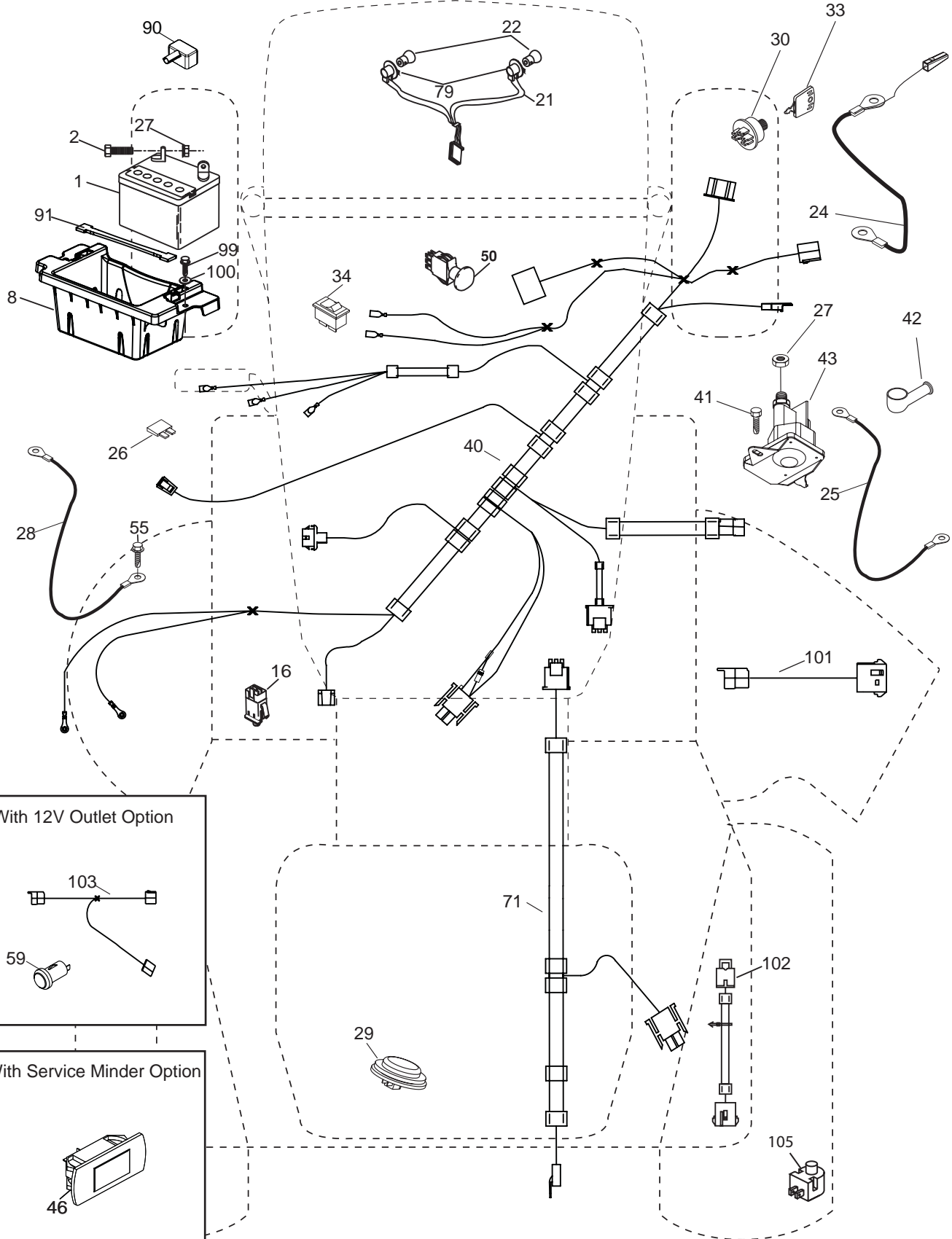
WIRING INSULATED CLIPS
NOTE: IF WIRING INSULATED CLIPS WERE REMOVED FOR SERVICING OF UNIT, THEY SHOULD BE RE-INSTALLED TO PROPERLY SECURE YOUR WIRING.

●
NON-REMOVABLE CONNECTIONS

○
REMOVABLE CONNECTIONS

**TRACTOR -- MODEL NUMBER PBGT26H54 (96042004003), PRODUCT NO. 960 42 00-40
ELECTRICAL**

T11S

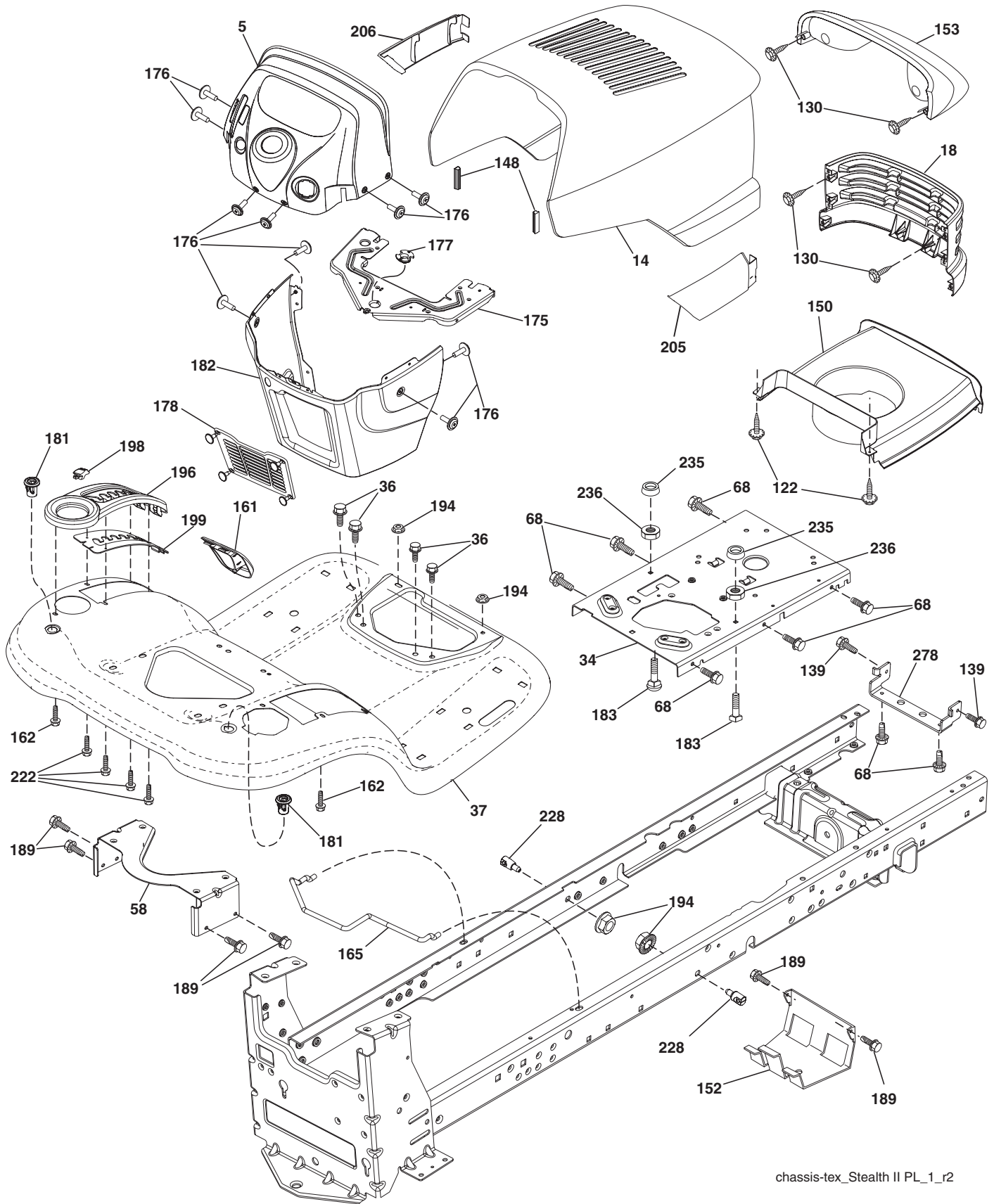


**TRACTOR - - MODEL NUMBER PBGT26H54 (96042004003), PRODUCT NO. 960 42 00-40
ELECTRICAL**

KEY NO.	PART NO.	DESCRIPTION
1	163465	Battery
2	74760412	Bolt Hex Head 1/4-20 x 3/4
8	186491	Box Battery
16	176138	Switch Interlock Push-In
21	175688	Harness Socket Light W/4152J
22	4152J	Bulb Light
24	400253	Cable Battery
25	198893	Cable Start Red 17.5"
26	175158	Fuse
27	73510400	Nut Keps Hex 1/4-20 unc
28	145491	Cable, Ground
29	401545	Switch, Seat
30	193350	Switch, Ignition
33	411935	Key/Chain
34	110712X	Switch Light / Reset
40	401104	Harness Ign. Dash
41	17720408	Screw Thd Cut 1/4-20 x 1/2
42	131563	Cover, Terminal
43	192507	Solenoid
46	401763	Gauge Hourmeter
50	174653	Switch, PTO
55	17060512	Screw Thdrol 5/16-18 x 3/4 TYTT
59	400303	Outlet 12-Volt
71	194276	Harness Ignition, Chassis
79	175242	Bulbholder Asm. Incan Descent
90	400724	Cover Terminal Battery
91	190270	Strap Battery Mount Front
99	17670412	Screw Hexwsh Thdrol 1/4-20 x 3/4
100	19091416	Washer 9/32 x 7/8 x 16 Ga.
101	198317	Pigtail MATNLK
102	404454	Harness Pigtail K46
103	407962	Harness Pigtail 12V Outlet
105	407568	Switch Reverse TT Pedal

NOTE: All component dimensions given in U.S. inches
1 inch = 25.4 mm

**TRACTOR - - MODEL NUMBER PBGT26H54 (96042004003), PRODUCT NO. 960 42 00-40
CHASSIS**

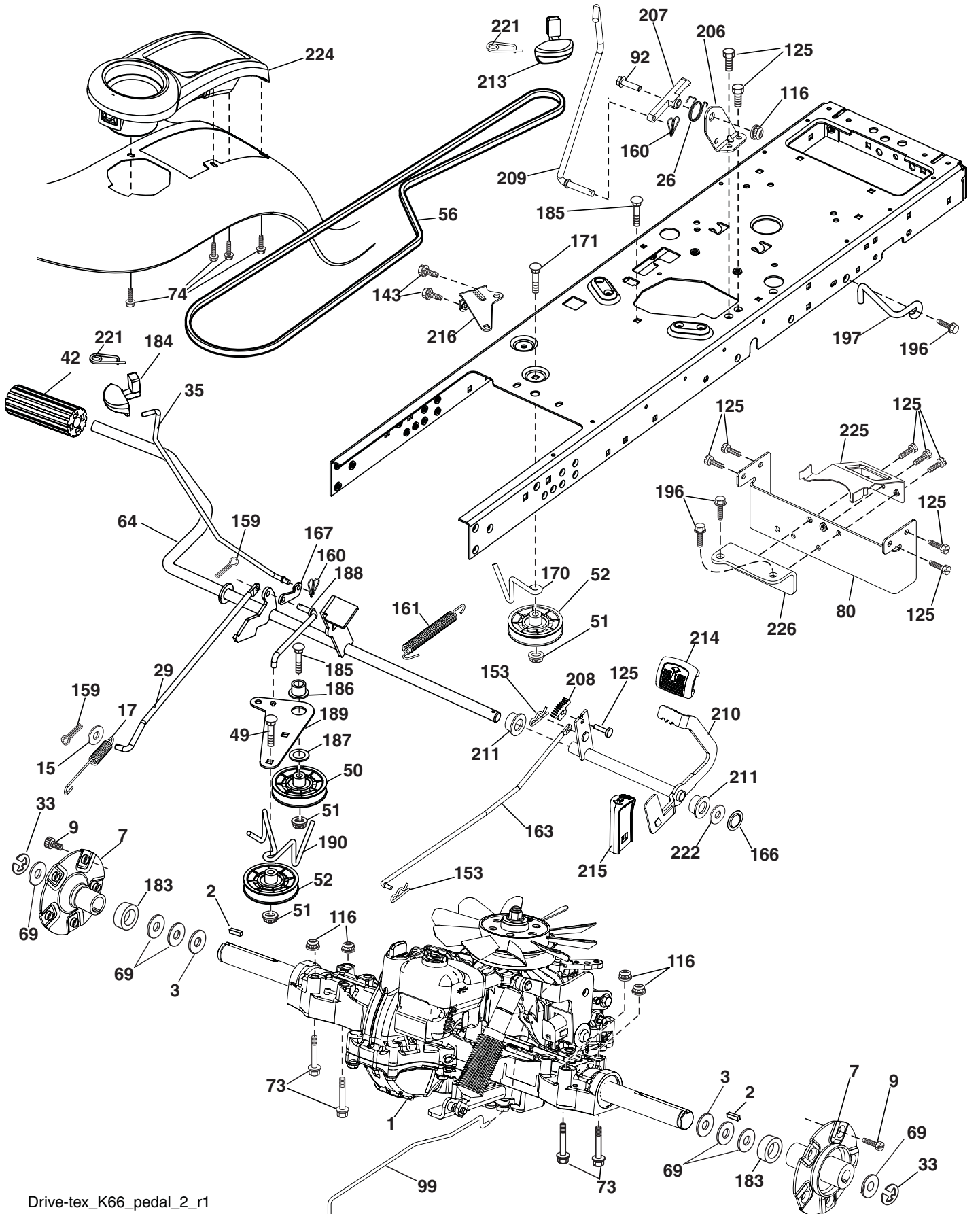


**TRACTOR - - MODEL NUMBER PBGT26H54 (96042004003), PRODUCT NO. 960 42 00-40
CHASSIS**

KEY NO.	PART NO.	DESCRIPTION
5	195102X428	Dash
14	175260X428	Hood
18	175289X428	Grille
34	196125	Plate Engine
36	17060512	Screw 5/16-18 x 3/4
37	400009X428	Fender
58	194314	Bracket Fender
68	17490508	Screw Thdrol 5/16-18 x 1/2
122	192512	Screw WSHD Hex 10-32 x 5/8
130	416358	Screw #10 x .750 BOS Thread
139	196539	Bolt Shoulder
148	164655	Bumper
150	175351	Duct Heat Hood
152	199535	Shield Browning/Debris
153	161840	Lens Bar
161	193097X428	Console Fuel Window
162	142432	Screw Hex Wsh Hi-Lo 1/4 x 1/2
165	196826	Bracket Support Tank
175	193236	Crossmember
176	400776	Screw #10-24 x 5/8 Rnd Qudrx
177	195227	Bushing Steering
178	195651	Cargo Asm. Net
180	195477	Chassis
181	193102X428	Bushing Mtg. Fender Crgo.
182	192551	Dash Lower
183	74780520	Bolt Fin Hex 5/16-18 unc x 1-1/4
189	17000512	Screw 5/16-18 x 3/4
194	73900500	Nut Lock Hex Flange 5/16-18
196	193098X428	Console Asm. Deck Lift
198	197300X505	Indicator Deck Lift
199	196377	Plate Deck Lift
205	169847X428	Skirt Hood RH
206	169848X428	Skirt Hood LH
222	137729	Screw Thd Roll 1/4-20 x 5/8
228	195161	Stud Fastener
235	406129	Spacer Fender
236	73930500	Nut Center Lock 5/16-18 unc
278	196394	Bracket Pickoff Hood

NOTE: All component dimensions given in U.S. inches
1 inch = 25.4 mm

TRACTOR -- MODEL NUMBER PBGT26H54 (96042004003), PRODUCT NO. 960 42 00-40
 DRIVE



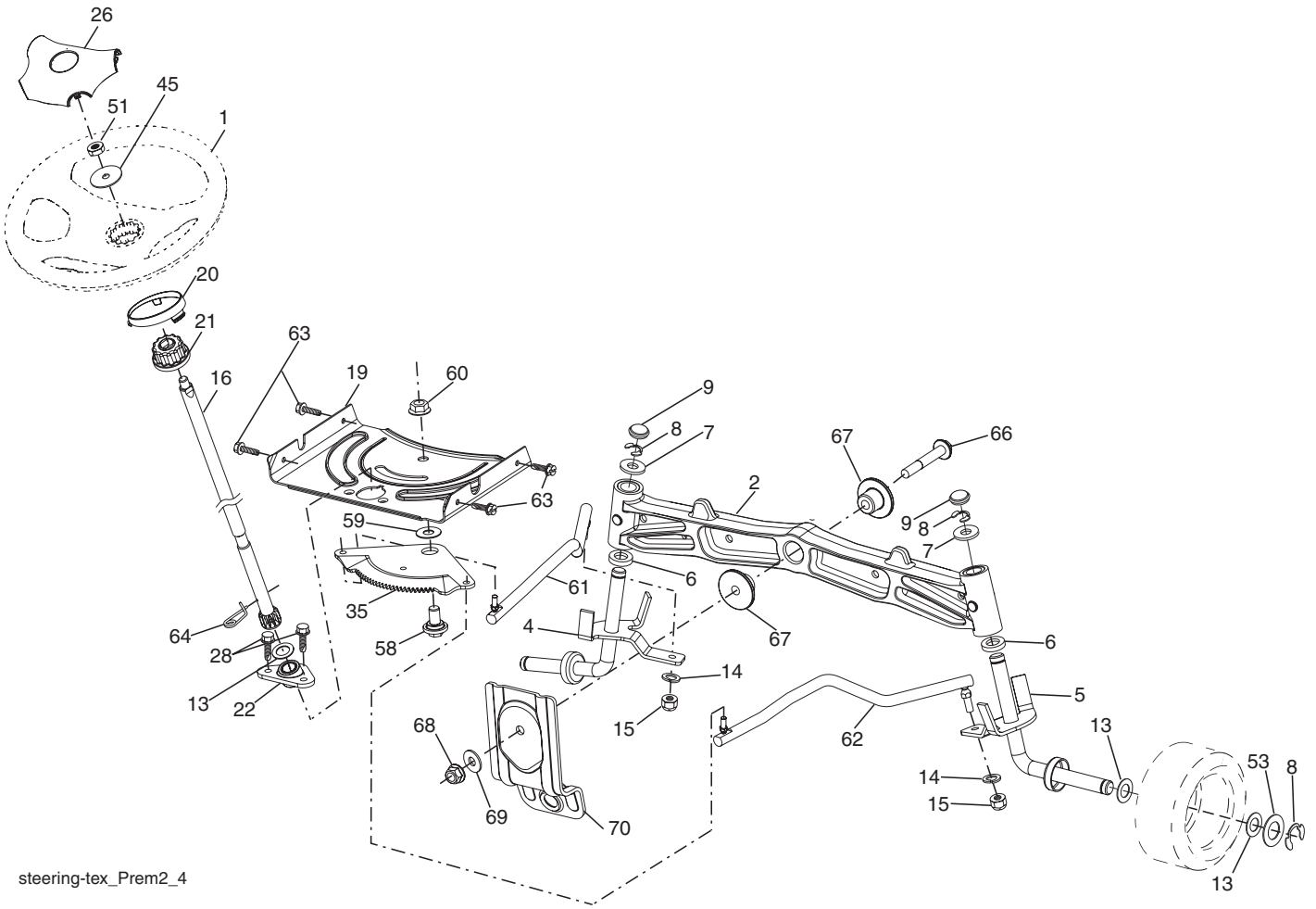
Drive-tex_K66_pedal_2_r1

TRACTOR - - MODEL NUMBER PBGT26H54 (96042004003), PRODUCT NO. 960 42 00-40 DRIVE

KEY NO.	PART NO.	DESCRIPTION	KEY NO.	PART NO.	DESCRIPTION
1	-----	Transaxle, TuffTorq K66	167	405257	Latch Brake Parking
2	7070E	Key	170	194322	Keeper Belt Centerspan
3	7563R	Hardened Washer	171	72110616	Bolt
7	199837	Hub Asm. Wheel	183	197357	Spacer Axle
9	140080	Bolt Hub Wheel	184	195361X505	Handle Parking Brake
15	19131316	Washer 13/32 x 13/16 x 16 Ga.	185	72110620	Bolt
17	401072	Spring, Brake	186	194321	Spacer Retainer
26	199679	Spring Return Cruise	187	19133210	Washer
29	407245	Rod, Brake	188	194323	Link Clutch Ground Drive
33	12000053	Ring E	189	194317	Bellcrank Ground Drive
35	197275	Rod, Brake, Park	190	194318	Keeper Bellcrank Ground Drive
42	8883R	Cover, Foot Pedal	196	17000616	Screw 3/8-16 x 1
49	72110614	Bolt	197	199769	Bracket Clutch Anti-Rotation
50	194327	Pulley Idler Flat	206	197867	Bracket Mount Latch Cruise
51	73900600	Lock Nut 3/8-16	207	197868	Latch Control Cruise
52	194326	Idler V-Groove 910" Offset	208	197869	Bolt Sector Control Cruise
56	125907X	V-Belt, Drive	209	199466	Rod Control Cruise
64	197865	Shaft Asm. Pedal Brake Control	210	197860	Rocker Asm. Pdeal Control
69	123800X	Washer 1 1/32 x 1 5/8 x 16 Ga.	211	120183X	Bearing Nylon
73	74490544	Bolt Hex Flghd 5/16-18 Gr. 5	213	195352X428	Knob Control Cruise
74	142432	Screw Hx Wsh Hi-Lo 1/4 x 1/2 unc	214	197302X428	Pad Pedal Forward
80	407182	Strap Torque	215	197301X428	Pad Pedal Reverse
92	74760520	Bolt Fin Hex 5/16-18 unc x 1.25	216	196131	Bracket Pulley Idler
99	415744	Rod Bypass	221	403187	Retainer Spring Clip Handle
116	73900500	Nut Lock Hex Flange 5/16-18	222	79212010	Washer 21/32 x 1-1/4 x 10 Ga.
125	17000512	Screw 5/16-18 x 3/4	224	193099X428	Console Toolbox
143	17490508	Screw 5/16-18 x 1/2	225	407311	Keeper Belt Trans.
153	4497H	Retainer Spring	226	407109	Bracket Mount Torque
159	76020412	Pin Cotter 1/8 x 3/4			
160	169484	Retainer Clip			
161	105709X	Spring, Return, Clutch			
163	407246	Rod Pedal Control			
166	197290	Nut Push .625			

NOTE: All component dimensions given in U.S. inches
1 inch = 25.4 mm

**TRACTOR - - MODEL NUMBER PBGT26H54 (96042004003), PRODUCT NO. 960 42 00-40
STEERING ASSEMBLY**



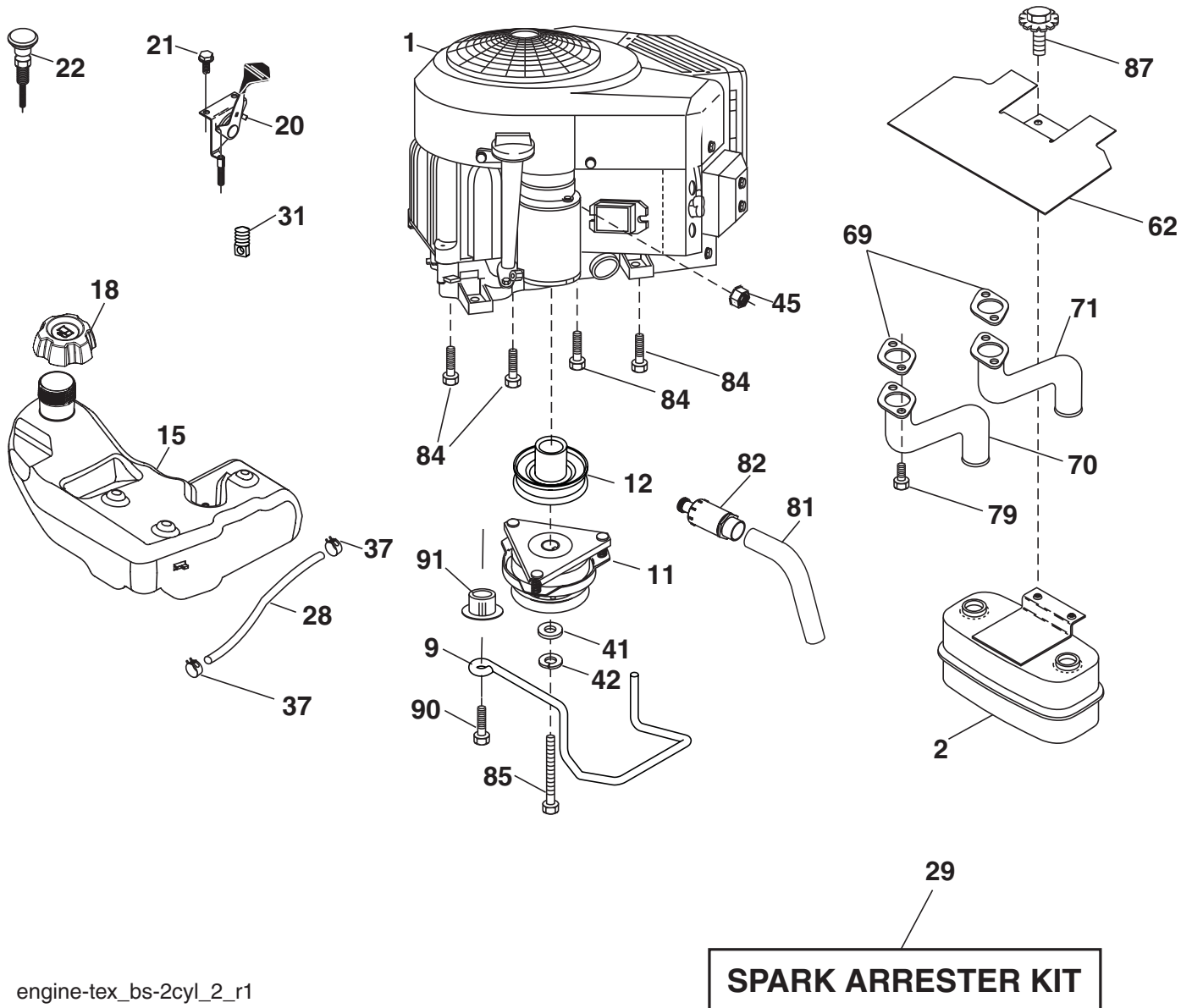
steering-tex_Prem2_4

**TRACTOR - - MODEL NUMBER PBGT26H54 (96042004003), PRODUCT NO. 960 42 00-40
STEERING ASSEMBLY**

KEY NO.	PART NO.	DESCRIPTION
1	186093X428	Wheel, Steering
2	195968	Axle Asm., Front
4	403089	Spindle Asm., LH
5	403090	Spindle Asm., RH
6	6266H	Bearing, Race Thrust Harden
7	121748X	Washer 25/32 x 1-5/8 x 16 Ga.
8	12000029	Ring, Klip #T5304-75
9	121232X	Cap, Spindle
13	121749X	Washer 25/32 x 1-1/4 x 16 Ga.
14	10040600	Washer, Lock Hvy Hlcl Spr 3/8
15	73540600	Nut, Crown Lock 3/8-24 unf
16	408219	Shaft Steering
19	194729	Plate Steering
20	195626X428	Boot, Steering
21	186737	Adapter, Wheel Steering
22	194845	Bushing, Strg. Blk
26	186095X428	Insert, Wheel Steering
28	17000612	Screw 3/8-16 x 3/4
35	194732	Gear, Sector Plate
45	19183812	Washer 9/16 x 2-3/8 x 12 Ga.
51	73940800	Nut Hex Jam Toplock 1/2-20 unf
53	188967	Washer Hardened .793 x 1.637 x .060
57	197246	Bracket Upstop
58	194747	Bolt Shoulder Sector Pivot CFM
59	194748	Washer Thrust Sector Steering
60	73971000	Nut Flange Lock 5/8-11
61	194740	Draglink LH
62	194741	Draglink, RH
63	17000512	Screw 5/16-18 x 3/4
64	199849	Retainer Clip Spring Steering
66	71020748	Bolt Hex Fghd 7/16-14 x 3 Serr
67	194737	Bushing PM Front Axle
68	73900700	Nut Lock Flange 7/16-14 Gr. 5
69	199162	Washer 1.5 x .505 x .118
70	196197	Bracket Deck Susp. Front

NOTE: All component dimensions given in U.S. inches
1 inch = 25.4 mm

TRACTOR - - MODEL NUMBER PBGT26H54 (96042004003), PRODUCT NO. 960 42 00-40
ENGINE



engine-tex_bs-2cyl_2_r1

**TRACTOR - - MODEL NUMBER PBGT26H54 (96042004003), PRODUCT NO. 960 42 00-40
ENGINE**

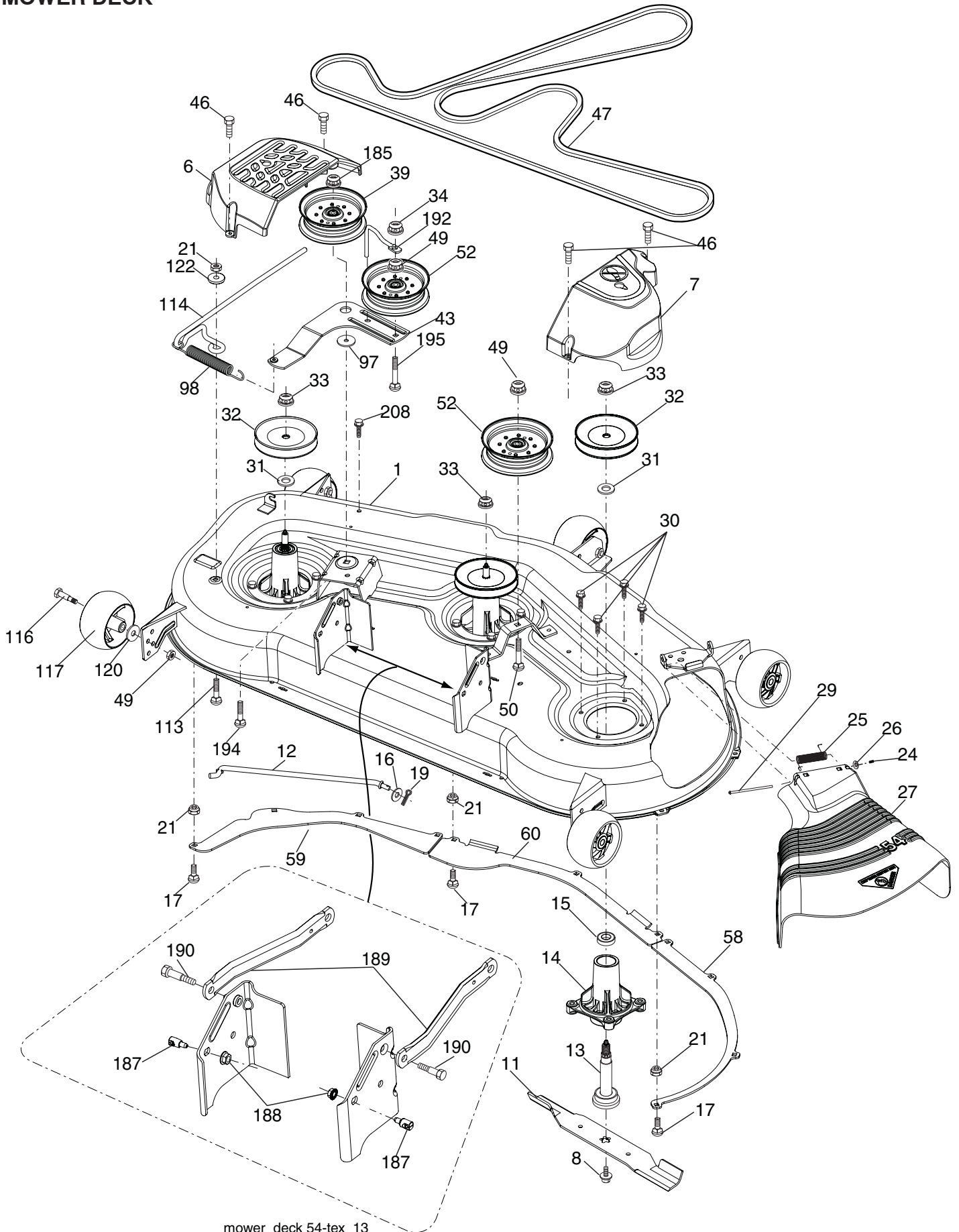
KEY NO.	PART NO.	DESCRIPTION
1	-----	Engine B&S Model No. 445877-0760-B1
2	149723	Muffler
9	194320	Keeper Belt Engine
11	179335	Clutch Electric
12	194343	Pulley Engine
15	193499	Tank Fuel 4.0
18	195951	Cap Asm
20	175437X421	Control Throttle
21	416358	Screw #10 x .750 BOS Thread
22	187767X428	Control Choke
28	401135	Fuel Line
29	137180	Spark Arrester Kit
31	145006	Clip Push-In Hinged
37	123487X	Clamp Hose
41	126197X	Washer 1-1/2 OD x 15/32 ID x .250
42	10040700	Washer Lock 7/16
45	73510400	Nut Keps Hex 1/4-20 unc
62	146629	Shield Heat Muffler
69	165391	Gasket
70	159955	Tube Exhaust LH
71	160589	Tube Exhaust RH
79	183906	Screw Socket Head
81	148456	Tube Drain Oil Easy
82	181654	Plug Drain Oil
84	17060620	Screw 3/8-16 x 1-1/4
85	179953	Bolt Hex 7/16-20 x 3.75 Gr. 5
87	198239	Bolt 5/16-18 unc x 1 w/Sems
90	17000616	Screw 3/8-16 x 1
91	187495	Bushing 1.375 OD

NOTE: All component dimensions given in U.S. inches
1 inch = 25.4 mm

Engine Power Rating Information

The gross power rating for individual gas engine models is labeled in accordance with SAE (Society of Automotive Engineers) code J11940 (Small Engine Power & Torque Rating Procedure), and rating performance has been obtained and corrected in accordance with SAE J1995 (Revision 2002-5). Actual gross engine power will be lower and is affected by, among other things, ambient operating conditions and engine-to-engine variability. Given both the wide array of products on which engines are placed and the variety of environmental issues applicable to operating the equipment, the gas engine will not develop the rated gross power when used in a given piece of power equipment (actual "on-site" or net horsepower). This difference is due to a variety of factors including, but not limited to, accessories (air cleaner, exhaust, charging, cooling, carburetor, fuel pump, etc.), application limitations, ambient operating conditions (temperature, humidity, altitude), and engine-to-engine variability. Due to manufacturing and capacity limitations, Briggs & Stratton may substitute an engine of higher rated power for this Series engine.

TRACTOR - - MODEL NUMBER PBGT26H54 (96042004003), PRODUCT NO. 960 42 00-40
MOWER DECK



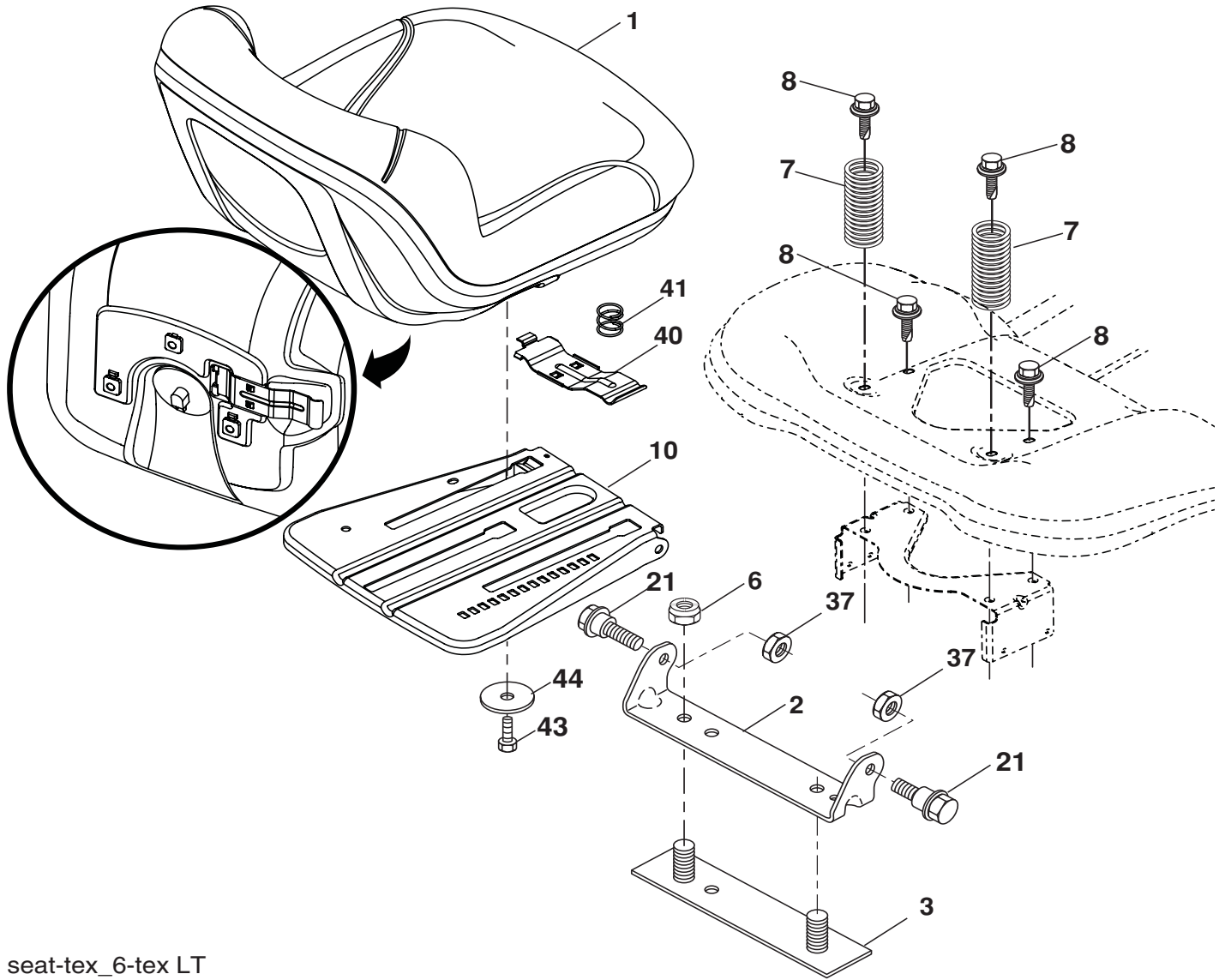
mower_deck 54-tex_13

**TRACTOR - - MODEL NUMBER PBGT26H54 (96042004003), PRODUCT NO. 960 42 00-40
MOWER DECK**

KEY NO.	PART NO.	DESCRIPTION	KEY NO.	PART NO.	DESCRIPTION
1	195632X421	Deck Weldment Mower	52	197379	Pulley Idler 4.50
6	196066	Cover Mandrel LH	58	187342	Baffle Right
7	197181	Cover Mandrel RH	59	187344	Baffle Left
8	174365	Bolt 7/16 Asm. Blade	60	187607	Baffle Center
11	187256	Blade Bagging	97	178515	Washer Hardened
12	400337	Rod Anti-Sway	98	196105	Spring Drive
13	187291	Shaft Asm. w/Lower Bearing	113	72110508	Bolt Rdhd Sqnk 5/16-18 x 3/4
14	187281	Housing, Mandrel	114	187556	Rod Tension Relief
15	110485X	Bearing, Ball, Mandrel	116	193406	Bolt, Shoulder
16	19131312	Washer 13/32 x 13/16 x 12 Ga.	117	174873	Gauge Wheel
17	72140505	Bolt Carr. 5/16-18 x 5/8	120	19132012	Washer 13/32 x 1-1/4 x 12 Ga.
19	194208	Pin Cotter 5/16 Bow Tie Lock	122	187557	Bushing Tension Relief
21	73680500	Nut, Crownlock 5/16-18 unc	185	73900700	Nut Lock Flange 7/16-14 Gr. 5
24	105304X	Cap Sleeve	187	195161	Stud Fastener w/"D" Anti-Rotation
25	178102	Spring, Torsion	188	73900500	Nut Lock Hex Flange 5/16-18
26	110452X	Nut, Push	189	195185	Arm Susp. Mower Rear
27	187257X428	Deflector Shield	190	196539	Bolt Shoulder
29	131491	Rod, Hinge	192	198468	Keeper Belt Idler
30	173984	Screw, Thdroll Washer Head	194	72140716	Bolt Carr Sqnk 3/8-16 x 2-1/4
31	187690	Washer, Spacer Mower Vented	195	72140620	Bolt Rdhd 3/8-16 unc x 2-3/4 Gr. 5
32	153535	Pulley, Mandrel	208	17670608	Screw THDROL 3/8-16 x 1/2
33	400234	Nut, Flg. Top Lock	--	187292	Mandrel Asm. Service (Includes Key Nos. 13-15 and 33)
34	73680600	Nut Crownlock 3/8-16 unc	--	197701	Replacement Mower, Complete
39	197380	Pulley, Idler, Stationary			
43	196065	Arm, Idler			
46	137729	Screw, Thdroll. 1/4-20 x 5/8			
47	196103	V-Belt, Mower			
49	73900600	Nut, Lock Flg. 3/8-16 unc			
50	72110616	Bolt Rdhd Sqnk 3/8-16 unc x 2			

NOTE: All component dimensions given in U.S. inches
1 inch = 25.4 mm

**TRACTOR - - MODEL NUMBER PBGT26H54 (96042004003), PRODUCT NO. 960 42 00-40
SEAT ASSEMBLY**



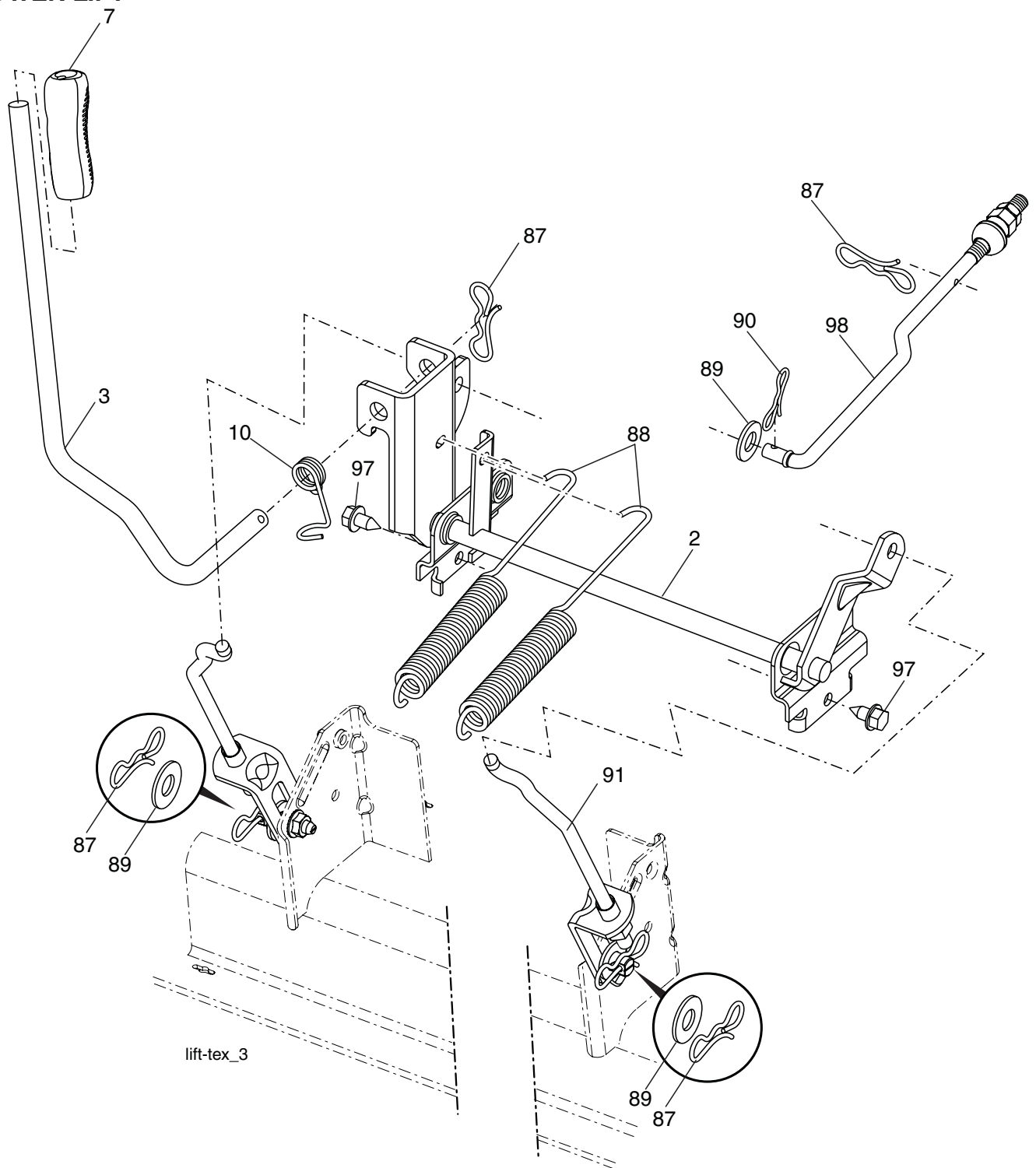
seat-tex_6-tex LT

KEY NO.	PART NO.	DESCRIPTION
1	406623	Seat
2	180166	Bracket Pivot Fender
3	140675	Strap, Asm Fender
6	73800600	Nut, Lock W/Ins. 3/8-16 unc
7	124181X	Spring, Seat Cprsn
8	171877	Bolt 5/16-18 uncx 3/4 w/Sems
10	196977	Pan, Seat
21	171852	Bolt, Shoulder 5/16-18

KEY NO.	PART NO.	DESCRIPTION
37	73800500	Nut, Lock 5/16-18 unc
40	197661	Handle Slide Seat
41	198200	Spring Latch Seat
43	74760612	Bolt Fin Hex 3/8-16 unc x 3/4
44	19133812	Washer 13/32 x 2-3/8 x 12 Ga.

NOTE: All component dimensions given in U.S. inches
1 inch = 25.4 mm

**TRACTOR - - MODEL NUMBER PBGT26H54 (96042004003), PRODUCT NO. 960 42 00-40
MOWER LIFT**



KEY NO.	PART NO.	DESCRIPTION
2	195223	Shaft Asm., Lift
3	195230	Lever Asm., Lift RH
7	196492X421	Grip, Lever
10	196314	Spring Torsion
87	194209	Pin Cotter 7/16 Bow Tie Lock
88	195304	Spring Lift Assist
89	19191912	Washer Clear Zinc
90	194208	Pin Cotter 5/16 Bow Tie Lock

KEY NO.	PART NO.	DESCRIPTION
91	403407	Link Lift Susp Mower Rear
97	17000612	Screw 3/8-16 x .75
98	195264	Link Lift Susp. Front Mower

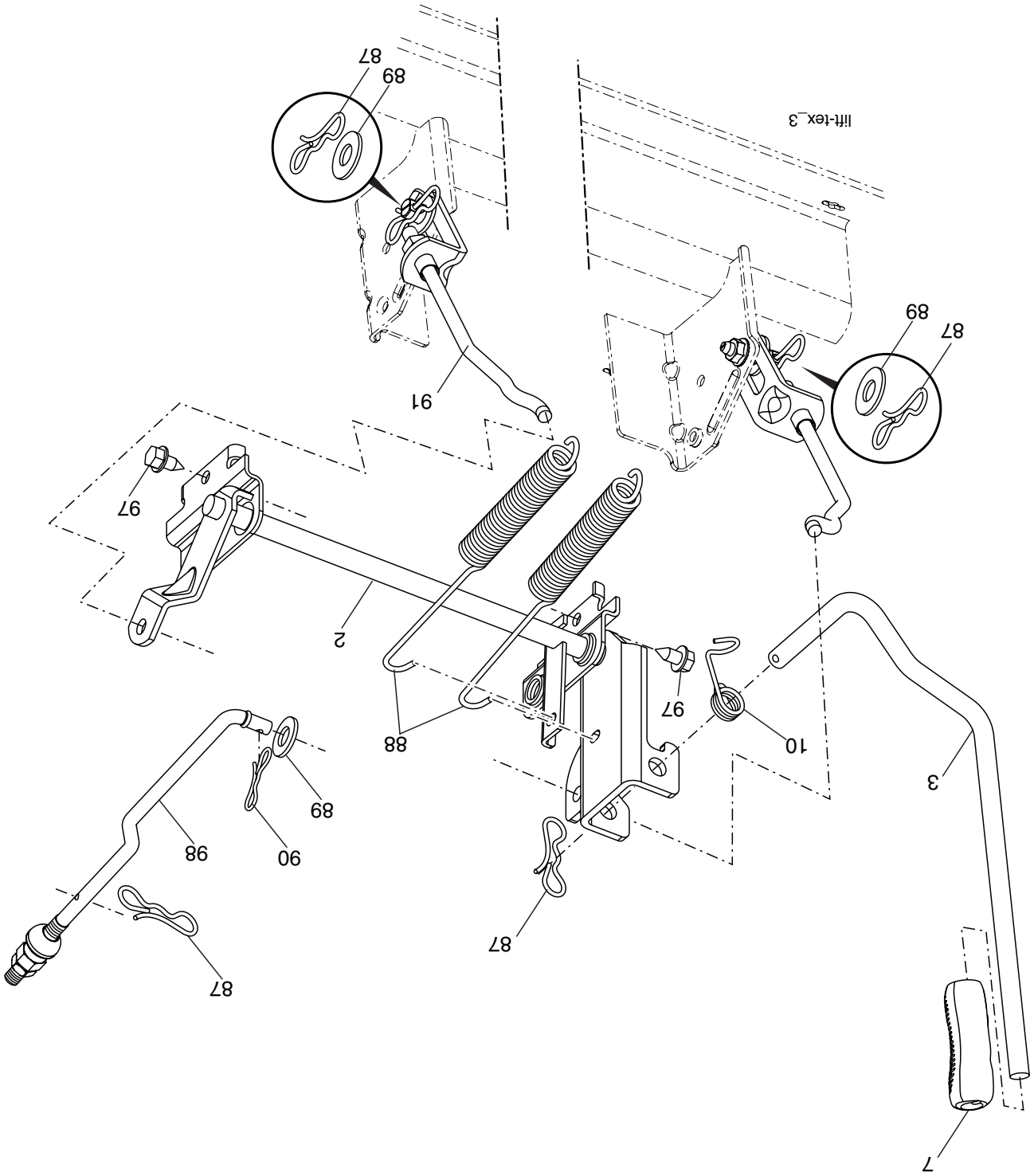
NOTE: All component dimensions given in U.S. inches
1 inch = 25.4 mm

Poulan PRO

Poulan PRO

TRACTEUR - NO. DE MODELE PBGT26H54 (96042004003), NO. DE PRODUIT 960 42 00-40

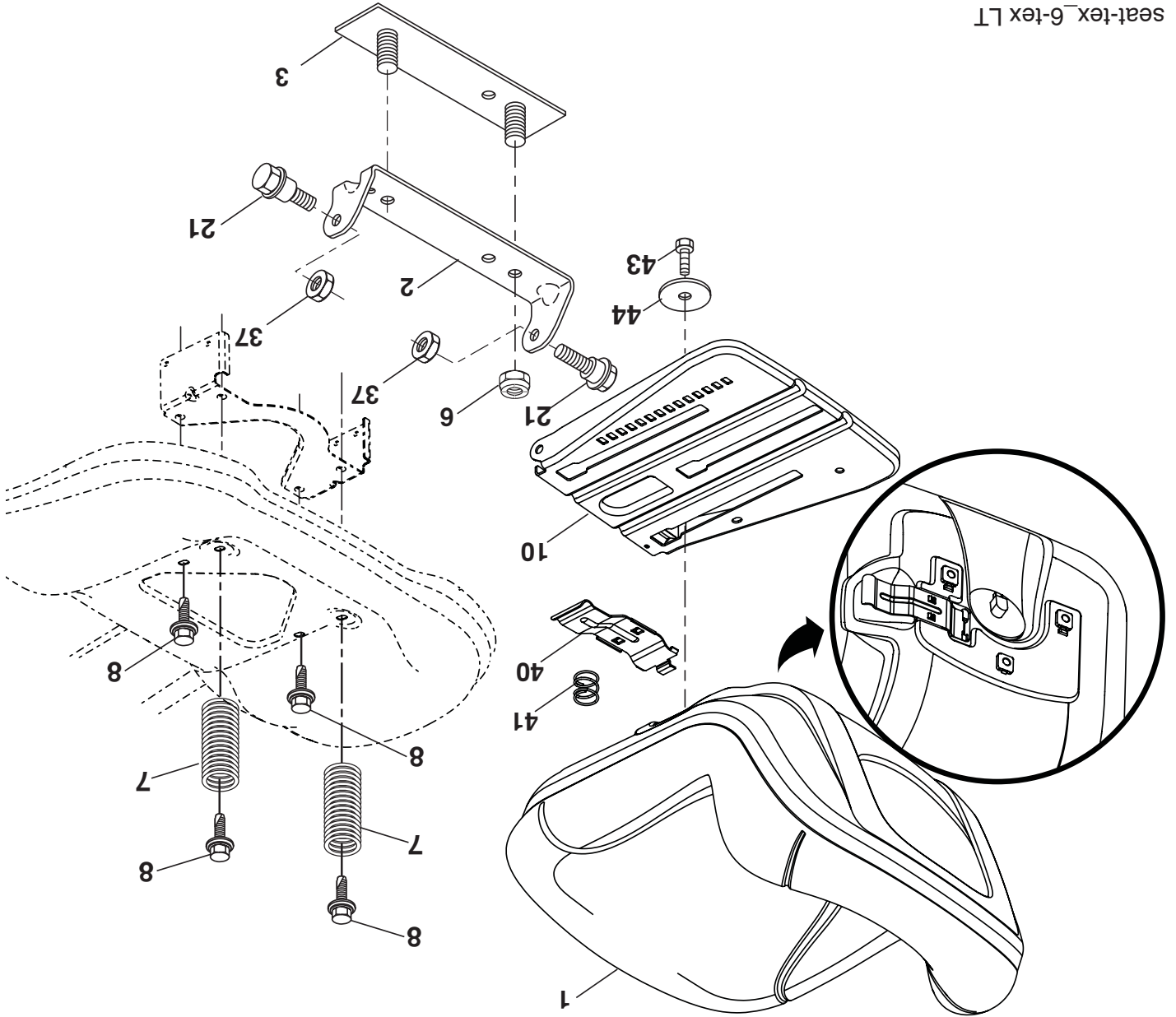
LEVAGE DE TONDEUSE



NO.	DE	PIECE	DESCRIPTION
2	195223		Ensemble de l'arbre
3	195230		Ensemble de l'arbre de levage C.D.
7	196492X421		Poignée cannelée du levier
10	196314		Ressort de Torsion
87	194209		Goupille fendue 7/16
88	195304		Ressort de retenue
89	19191912		Rondelle

NO.	DE	PIECE	DESCRIPTION
90	194208		Goupille fendue 5/16
91	403407		Raccord de levage
97	1700612		Vis 3/8-16 x .75
98	195740		Raccord de levage

REMARQUE: Toutes les dimensions de composant sont données en pouces E.-U. --1 pouce = 25,4 mm.



NO.	DÉ	PIÈCE	DESCRIPTION
1	406623	Siège	Siège
2	180166	Support de pivot	Support de pivot
3	140675	Attache de l'ensemble de l'aile	Attache de l'ensemble de l'aile
6	73800600	Ecroû frein H avec insert 3/8-16 unc	Ecroû frein H avec insert 3/8-16 unc
7	124181X	Ressort de compression du siège	Ressort de compression du siège
8	171877	Boulon 5/16-18 uncx 3/4	Boulon 5/16-18 uncx 3/4
10	196977	Cuvette du siège	Cuvette du siège
21	171852	Boulon à épaulement 5/16-18	Boulon à épaulement 5/16-18
37	73800600	Ecroû frein 5/16-18 unc	Ecroû frein 5/16-18 unc
40	197661	Guidon	Guidon
41	198200	Ressort de compression	Ressort de compression
43	74760612	Boulon 3/8-16 x 3/4	Boulon 3/8-16 x 3/4
44	19133812	Rondelle 13/32 x 2-3/8 x 12 ja.	Rondelle 13/32 x 2-3/8 x 12 ja.

NO.	DÉ	PIÈCE	DESCRIPTION
NO.	DÉ	PIÈCE	DESCRIPTION

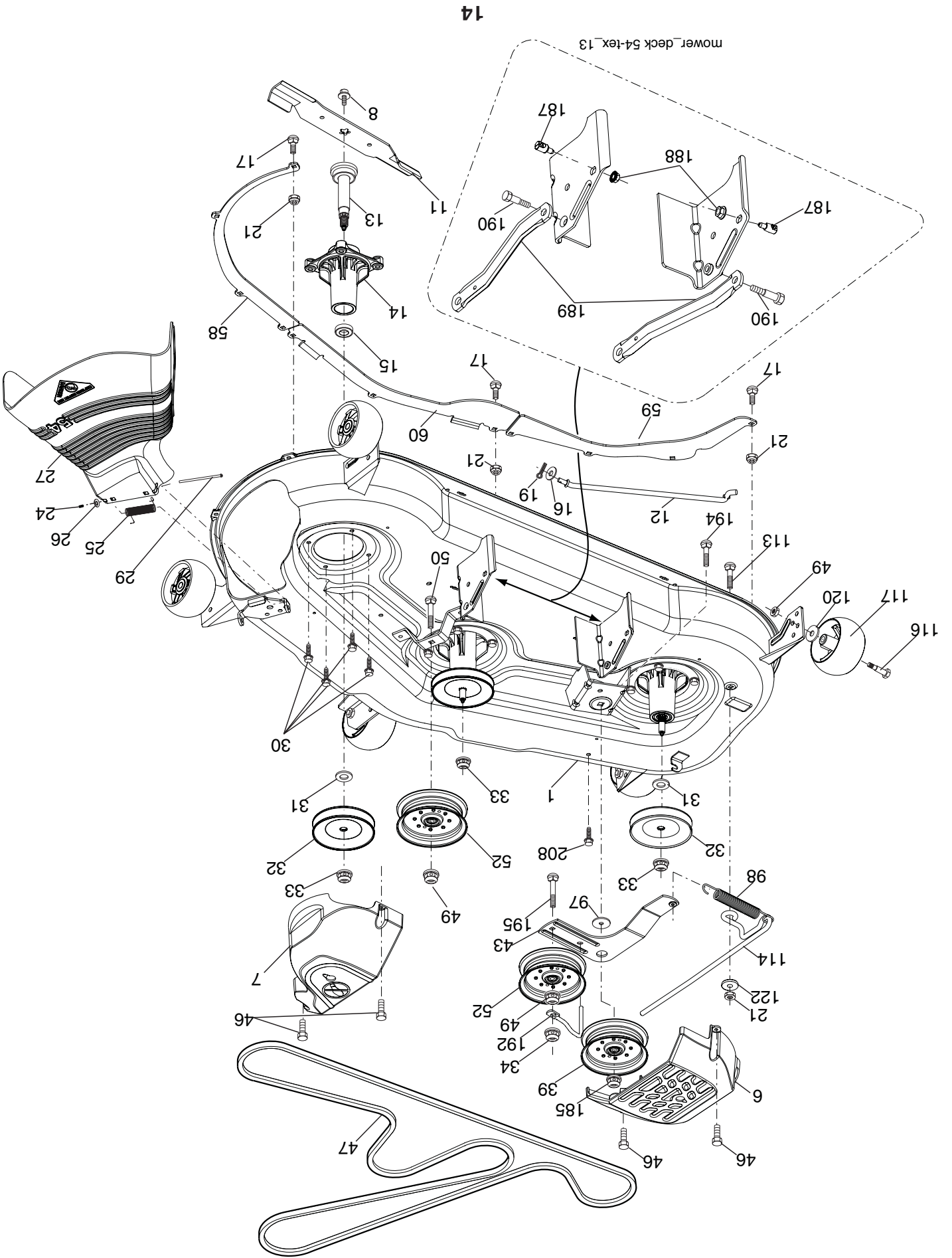
REMARQUE: Toutes les dimensions de composant sont données en pouces E.-U. --1 pouce = 25,4 mm

TRACTEUR - NO. DE MODELE PBGT26H54 (96042004003), NO. DE PRODUIT 960 42 00-40

NO.	DE	PIECE	DESCRIPTION	NO.	DE	PIECE	DESCRIPTION
1		195632X421	Ensemble du carter	50		72110616	Boulon 3/8-16 unc x 2
6		196066	Couvercle de mandrin C.G.	52		197379	Pouille du galet-tendeur 4.50
7		197181	Couvercle de mandrin C.D.	58		187342	Chicane C.D.
8		174365	Boulon 7/16	59		187344	Chicane C.G.
11		187256	Lame pour bourrage	60		187607	Chicane Centrale
12		400337	Tige	97		178515	Rondelle
13		187291	Ensemble de l'arbre	98		196105	Ressort de retenue
14		187281	Carter du mandrin	113		72110508	Boulon 5/16-18 x 3/4
15		110485X	Roulement à billes	114		187556	Tige
16		19131312	Rondelle 13/32 x 13/16 x 12Ga.	116		193406	Boulon
17		72140505	Boulon 5/16-18 x 5/8	117		1874873	Support des roues
19		194208	Goupille Serrure 5/16	120		19132012	Rondelle 13/32 x 1-1/4 x 12 Ja.
21		73680500	EcroU 5/16-18 unc	122		187557	Douille
24		105304X	Chapeau de manchon	185		73900700	EcroU frein 7/16-14 Cat. 5
25		178102	Ressort de torsion	187		195161	Ténon
26		110452X	EcroU	188		73900500	EcroU frein H
27		187257X428	Défecteur de décharge	189		195185	Bras de suspension arrière
29		131491	Tige de charnière	190		196539	Boulon
30		173984	Vis H	192		198468	Guide-courroie
31		187690	Rondelle	194		72140716	Boulon 3/8-16 x 2-1/4
32		153535	Pouille de mandrin	195		72140620	Boulon 3/8-16 unc x 2-3/4 Cat. 5
33		400234	EcroU	208		17670608	Vis 3/8-16 x 1/2
34		73680600	EcroU frein 3/8-16 unc	--		187292	Ensemble de mandrin (V compris les nos. de réf. 13-15 et 33)
39		197380	Pouille du galet-tendeur C.G.	--		197701	Ensemble du carter de tondeuse complet
43		196065	Bras du galet-tendeur				
46		137729	Vis 1/4-20 x 5/8				
47		196103	Courroie d'entraînement				
49		73900600	EcroU frein 3/8-16 unc				

REMARQUE: Toutes les dimensions de composant sont données en pouces E.-U. --1 pouce = 25,4 mm.

TRACTEUR - NO. DE MODÈLE PBGT26H54 (96042004003), NO. DE PRODUIT 960 42 00-40
CARTER DE TONDEUSE

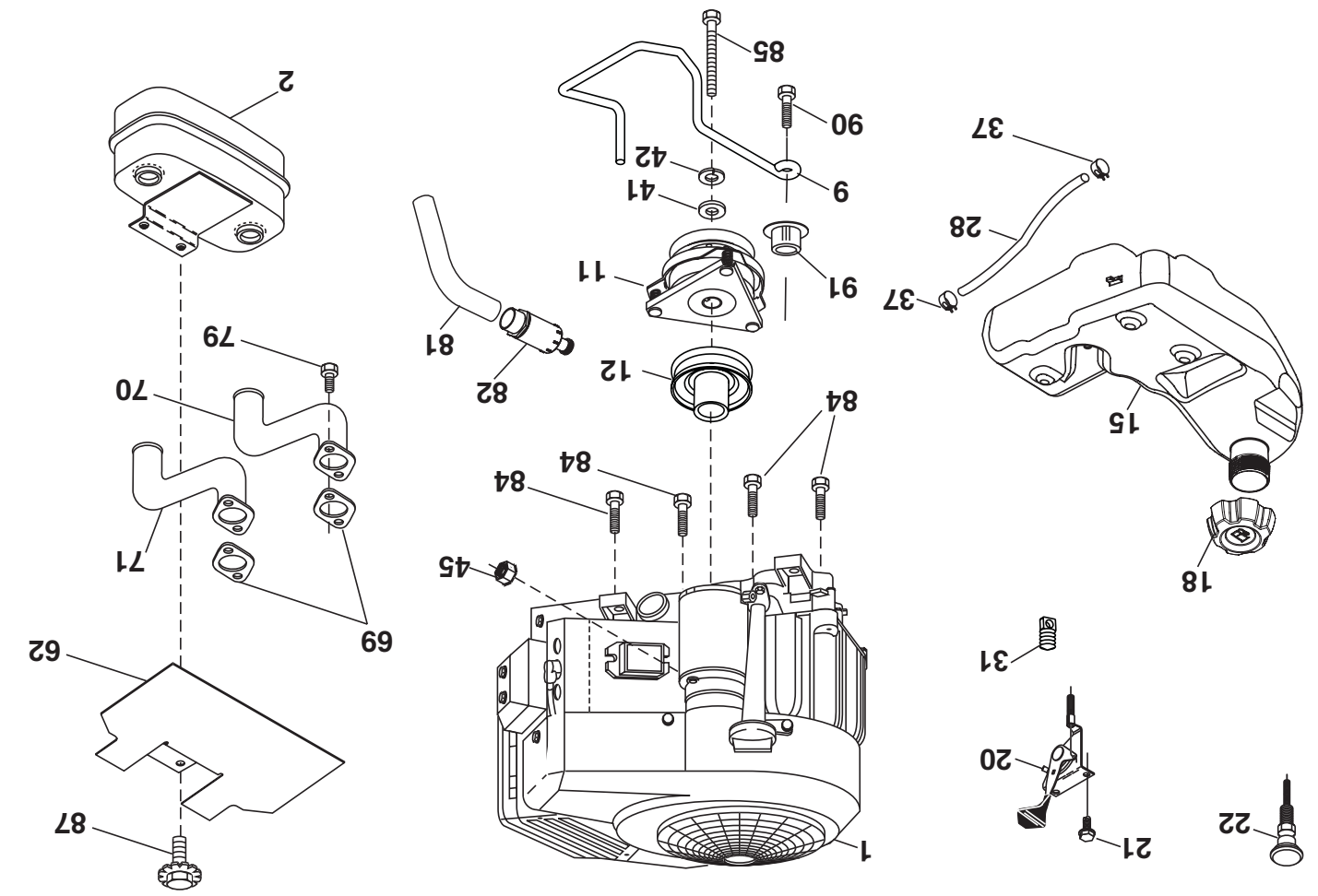


NO. DE REF.	NO. PIECE	DESCRIPTION
1	----	Moteur Briggs-No. de modèle 445877-0760-B1 (Commandez les pièces par suite du fabricant du moteur)
2	149723	Silencieux
9	194320	Courroie du moteur
11	179335	Embrayage électrique
12	194343	Poulie
15	193499	Réservoir d'essence
18	195951	Chapeau
20	175437X421	Commande des gaz
21	416358	Vis H #10 x .750
22	187767X428	Commande du starter
28	401135	Conduite d'essence
29	137180	Jeu de pare - étincelles
31	145006	Collier pressé
37	123487X	Bride de serrage de tuyau
41	126197X	Rondelle 1-1/2 OD x 15/32 ID x .250
42	10040700	Rondelle frein 7/16
45	73510400	Ecroû H 1/4-20 unc
62	146629	Défecteur de débris
69	165391	Garniture de silencieux
70	176067	Tube C.G.
71	160589	Tube C.D.
79	183906	Vis 5/16-18 x 1
81	148456	Tube de vidange d'huile
82	181654	Bouchon
84	17060620	Vis 3/8-16 x 1/4
85	179953	Boulon 7/16-20 x 20 x 3.75 Gr.5
87	198239	Boulon 5/16-18 unc x 1 avec sems
90	17000616	Vis 3/8-16 x 1
91	187495	Douille 1.375 OD

REMARQUE: Toutes les dimensions de composant sont données en pouces E.-U. --1 pouce = 25,4 mm

L'information de Classement de Pouvoir de moteur

Le pouvoir brut évaluant pour les modèles de moteur de gaz individuels est conformément étiqueté à SAE (la Société d'Ingénieurs Automoteurs) le code J1 1940 (le Petit Pouvoir de Moteur & le Moment de torsion Evaluant la Procédure), et l'exécution de classement a été obtenue et a été corrigée conformément à SAE J1 995 (la Révision 2002-5). Le véritable pouvoir de moteur brut sera plus et est affecté par, entre autres choses, les conditions d'opération ambiantes et le moteur-à-la-variabilité de moteur. Donné les deux le tableau large de produits sur lesquels moteurs est placé et la variété de problèmes écologiques applicables à l'opération de l'équipement, le moteur de gaz ne développera pas le pouvoir de grosse évalué quand utilisé dans un morceau donné d'équipement de pouvoir (la puissance véritable, « sur place » ou nette). Cette différence est en raison d'une assortiment de facteurs inclut, mais pas limité à, les accessoires (le nettoyeur d'air, l'échappement, char-ger, le refroidissement, le carburateur, la pompe de carburant, etc.), les limitations d'application, les conditions d'opération ambiantes (la température, l'humidité, l'altitude), et le moteur-à-la-variabilité de moteur. En raison des limitations de fabrication et capacité, Briggs & Stratton peut substituer un moteur de plus haut pouvoir évalué pour ce moteur de Feuilleton.



EQUIPMENT FACULTATIF
PARA-ÉTINCELLES

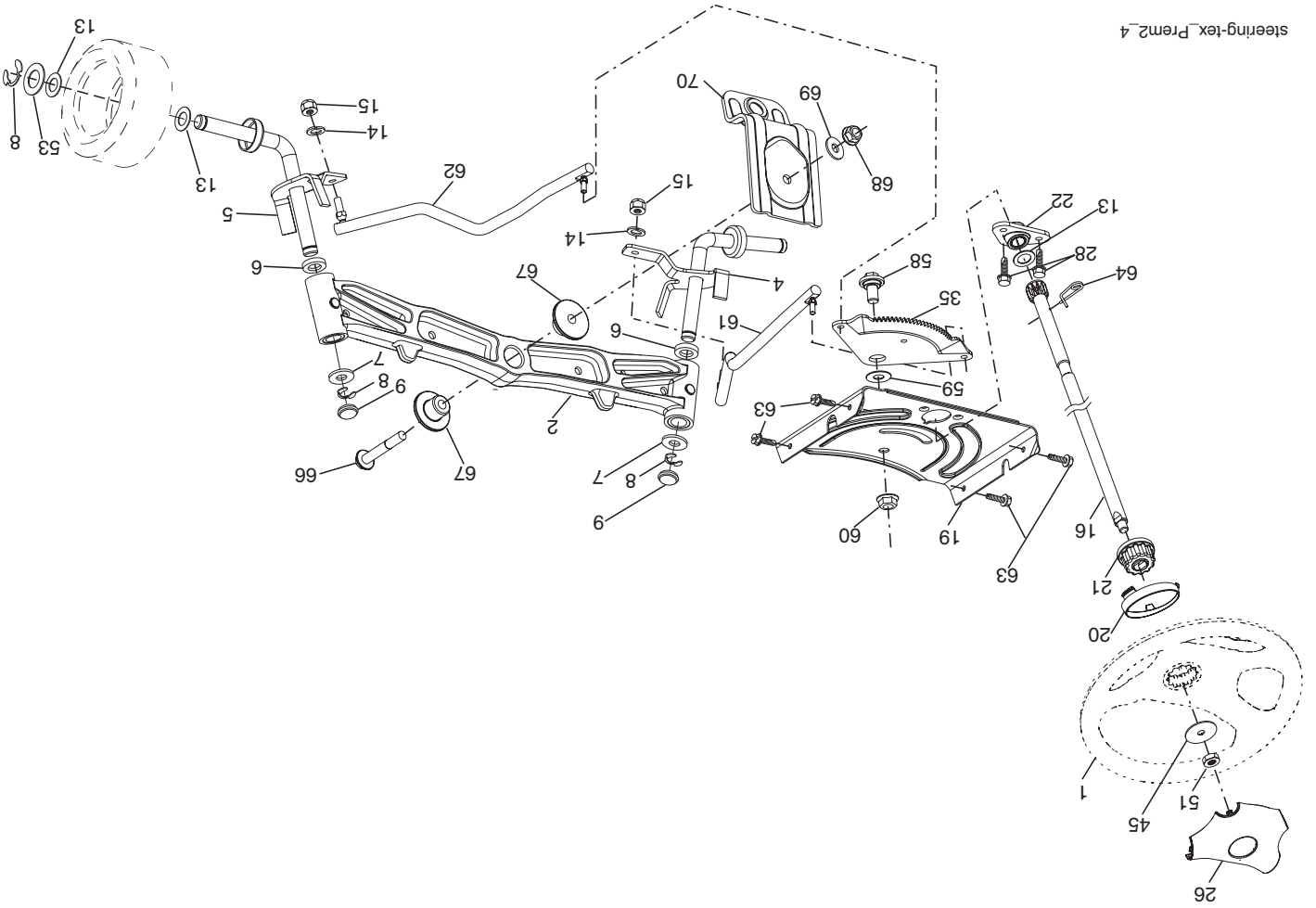
engine-tex_bs-2cyl_2.r1

TRACTEUR - NO. DE MODELE PBGT26H54 (96042004003), NO. DE PRODUIT 960 42 00-40
ENSEMBLE DE LA DIRECTION

NO.	DE	REF.	PIECE	DESCRIPTION
1		186093X428		Volant de direction
2		195968		Essieu
4		403089		Ensemble de la broche C.G.
5		403090		Ensemble de la broche C.D.
6		6266H		Pallier de butée durci
7		121748X		Rondelle 25/32 x 1-5/8 x 16 Ja.
8		12000029		Rondelle clip n°15304-75
9		121232X		Chapeau de broche
13		121749X		Rondelle 25/32 x 1-1/4 x 16 Ja.
14		10040600		Rondelle frein 3/8
15		73540600		Ecrou frein 3/8-24 unft
16		408219		Arbre de direction
19		194729		Arbre de plaque
20		195626X428		Initialisation de direction
21		186737		Adaptateur du volant de direction
22		194845		Douille de direction
26		186095X428		Insert de chapeau du volant de direction
28		17000612		Vis 3/8-16 x 3/4
35		194732		Secteur denté
45		19183812		Rondelle 9/16 x 2-3/8 x 12 Ja.
51		73940800		Contre-écrou 1/2-20 unft
53		188967		Rondelle .793 x 1.637 x .060
57		197246		Support
58		194747		Bouillon à épuatement
59		194748		Rondelle
60		73971000		Ecrou frein à collet 5/8-11
61		194740		Barre de direction C.G.
62		194741		Barre de direction C.D.
63		17000512		Vis 5/16-18 x 3/4
64		199849		Collier de retenue
66		71020748		Bouillon H 7/16-14 x 3
67		194737		Douille
68		73900700		Ecrou frein à collet 7/16-14 Cat. 5
69		199162		Rondelle 1.5 x .505 x .118
70		196197		Support

REMARQUE: Toutes les dimensions de composant sont données en pouces E.-U. -- 1 pouce = 25,4 mm

TRACTEUR - NO. DE MODÈLE PBGT26H54 (96042004003), NO. DE PRODUIT 960 42 00-40
ENSEMBLE DE LA DIRECTION



steering-tex_Prem2_4

TRACTEUR - NO. DE MODELE PBGT26H54 (96042004003), NO. DE PRODUIT 960 42 00-40

ENTRAÎNEMENT

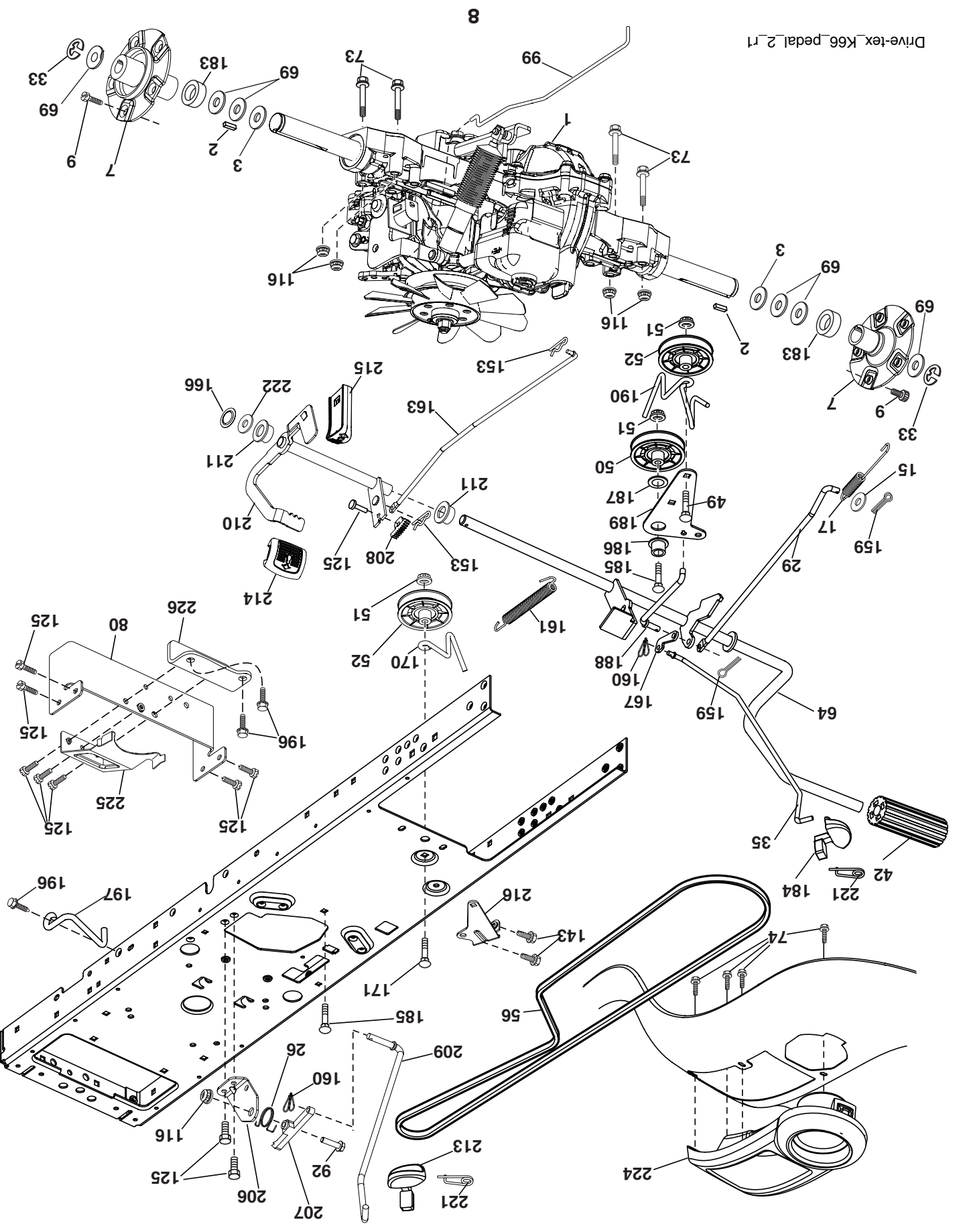
NO. DE DÉ	PIECE	DESCRIPTION
1	----	Transmission, TuffTorg K66
2	7070E	Ciê
3	7563R	Rondelle endurcie
7	199837	Assemblée De Moyen De Roue
9	140080	Boulon De Moyen De Roue
15	19131316	Rondelle 13/32 x 13/16 x 16 Ga.
17	401072	Ressort De Frein
26	199679	Ressort de rappel
29	407245	Tige du frein
33	12000053	Bague en E
35	197275	Tige du frein de stationnement
42	8883R	Couverture de la pédale
49	72110614	Boulon
50	194327	Pouille du galet-tendeur
51	73900600	Ecroû frein 3/8-16
52	194326	Galet-tendeur
56	125907X	Courroie trapézoïdale
64	197865	Ensemble de l'arbre
69	123800X	Rondelle 1 1/32 x 1 5/8 x 16 Ga.
73	74490544	Boulon Hex Fighd 5/16-18 Gr 5
74	142432	Vis 1/4 x 1/2
80	407182	Attache de torsion
92	74760520	Boulon H 5/16-18 unc x 1.25
99	415744	Sauter la tringle
116	73900500	Ecroû frein H 5/16-18
125	17000512	Vis 5/16-18 x 3/4
143	17490508	Vis
153	4497H	Ressort D'Arrêtoir
159	76020412	Goupille fendue 1/8 x 3/4
160	169484	Collier de retenue
161	105709X	Ressort de rappel d'embrayage
163	407246	De commande Tringle De Pédale
166	197290	Rondelle Frein .625

REMARQUE: Toutes les dimensions de composant sont données en pouces E.-U. -- 1 pouce = 25,4 mm

NO. DE DÉ	PIECE	DESCRIPTION
167	405257	Loquet
170	194322	Guide-courroie
171	72110616	Boulon
183	197357	Entretôise axle
184	195361X505	Guidon
185	72110620	Boulon 3/8-16 x 2-1/2
186	194321	Ressort de retenue
187	191333210	Rondelle
188	194323	Raccord d'embrayage
189	194317	Levier coudé
190	194318	Guide
196	17000616	Vis 3/8-16 x 1
197	199769	Support
206	197867	Support
207	197868	Loquet
208	197869	Secteur denté
209	199466	Tige
210	197860	Culbuteur
211	120183X	Palier de nylon
213	195352X428	Boulon
214	197302X428	Pédale en avant
215	193301X428	Pédale contraire
216	196131	Support pour le poulie
221	403187	Collier de retenue
222	79212010	Rondell 21/32 x 1-1/4 x 10 Ja.
224	193099X428	Console de boîte à outils
225	407311	Ceinture De Garde De Transmission
226	407109	Couple De Bâti De Parenthèse

TRACTEUR - NO. DE MODÈLE PBGT26H54 (96042004003), NO. DE PRODUIT 960 42 00-40

ENTRAÎNEMENT

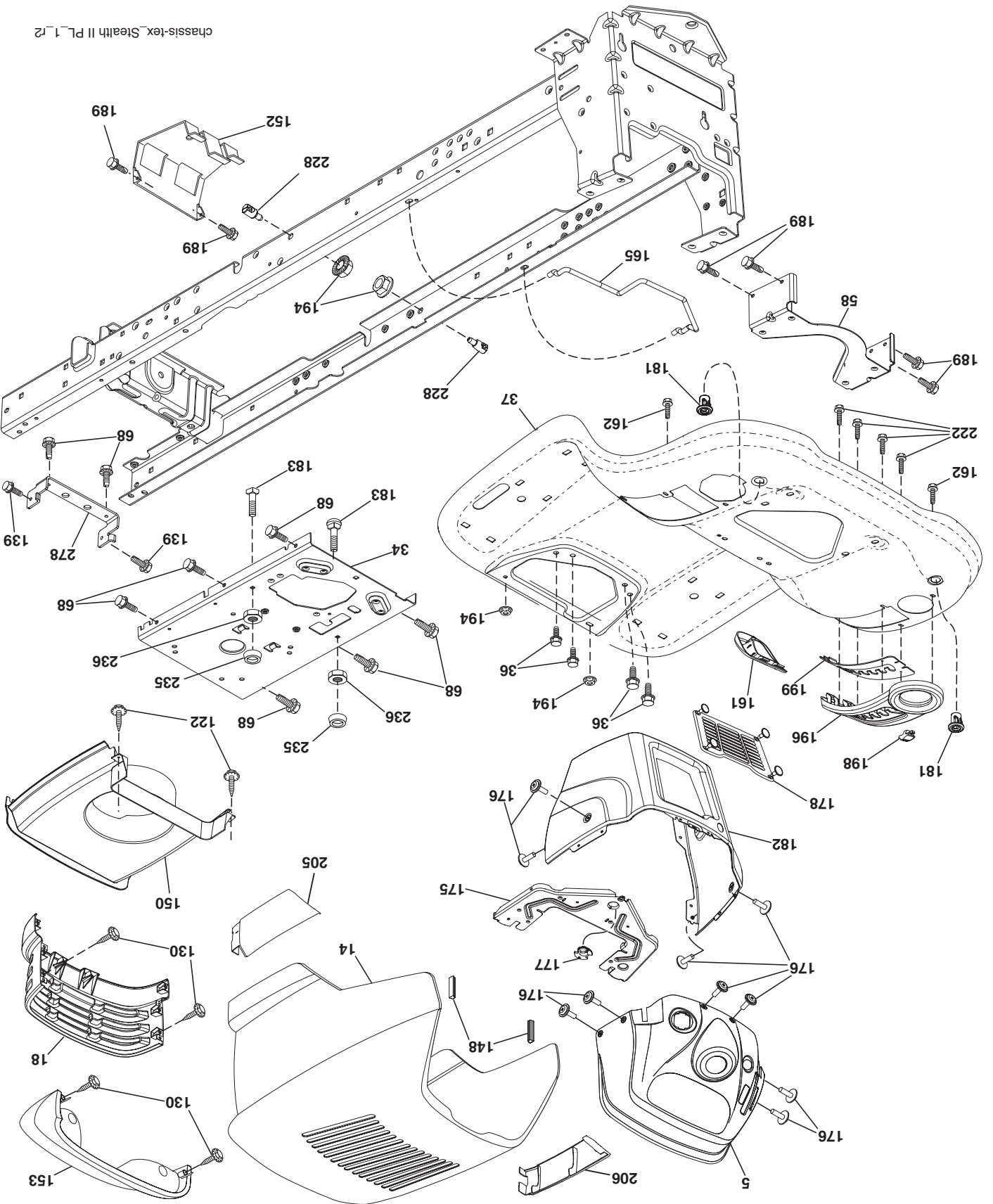


Drive-tex_K66_pedal_2.r1

NO. DE REF.	NO. DE PIECE	DESCRIPTION
5	195102X428	Tableau de bord
14	175260X420	Capot
18	175289X428	Calandre
34	196125	Plaque de la moteur
36	17060512	Screw 5/16-18 x 3/4
37	400009X428	Aile
58	194314	Support
68	17490508	Vis 5/16-18 x 1/2
122	192512	Vis 10-13 x 5/8
130	416358	Vis H #10 x .750
139	196539	Bouillon
148	164655	Butoir
150	175351	Canalisation
152	199535	Deflecteur
153	161840	Barre D'Objectif
161	193097X428	Fenetre de combustible
162	142432	Vis H 1/4 x 1/2
165	196826	Soutien du support
175	193236	Piece d'entretoisement
176	400776	Vis 10-24 x 5/8
177	195227	Douille
178	195651	Couverture
180	195477	Chassis
181	193102X428	Douille
182	192551	Tableau de bord
183	74780520	Bouillon
189	17000512	Vis 5/16-18 x 3/4
194	73900500	Ecroû frein H 5/16-18
196	193098X428	Panneau du tableau de bord
198	197300X505	Indicateur D'Ascenseur De Plate-forme
199	196377	Plaque de renforcement
205	169847X428	Jupe C.D.
206	169848X428	Jupe C.G.
222	137729	Vis 1/4-20 x 5/8
228	195161	Attache De Goujon
235	406129	Entretoise
236	73930500	Ecroû
278	196394	Support, Capot

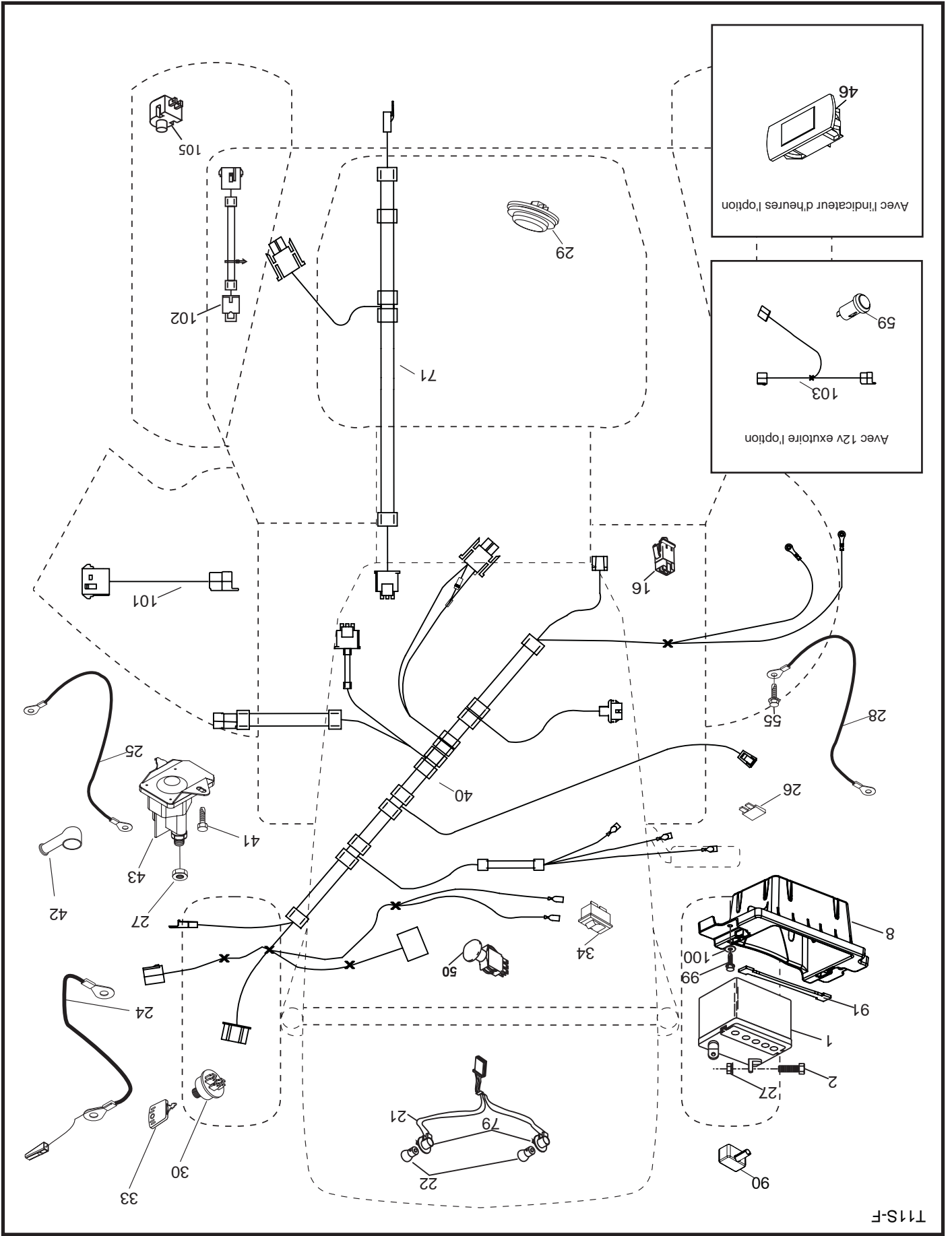
REMARQUE: Toutes les dimensions de composant sont données en pouces E.-U. --1 pouce = 25,4 mm

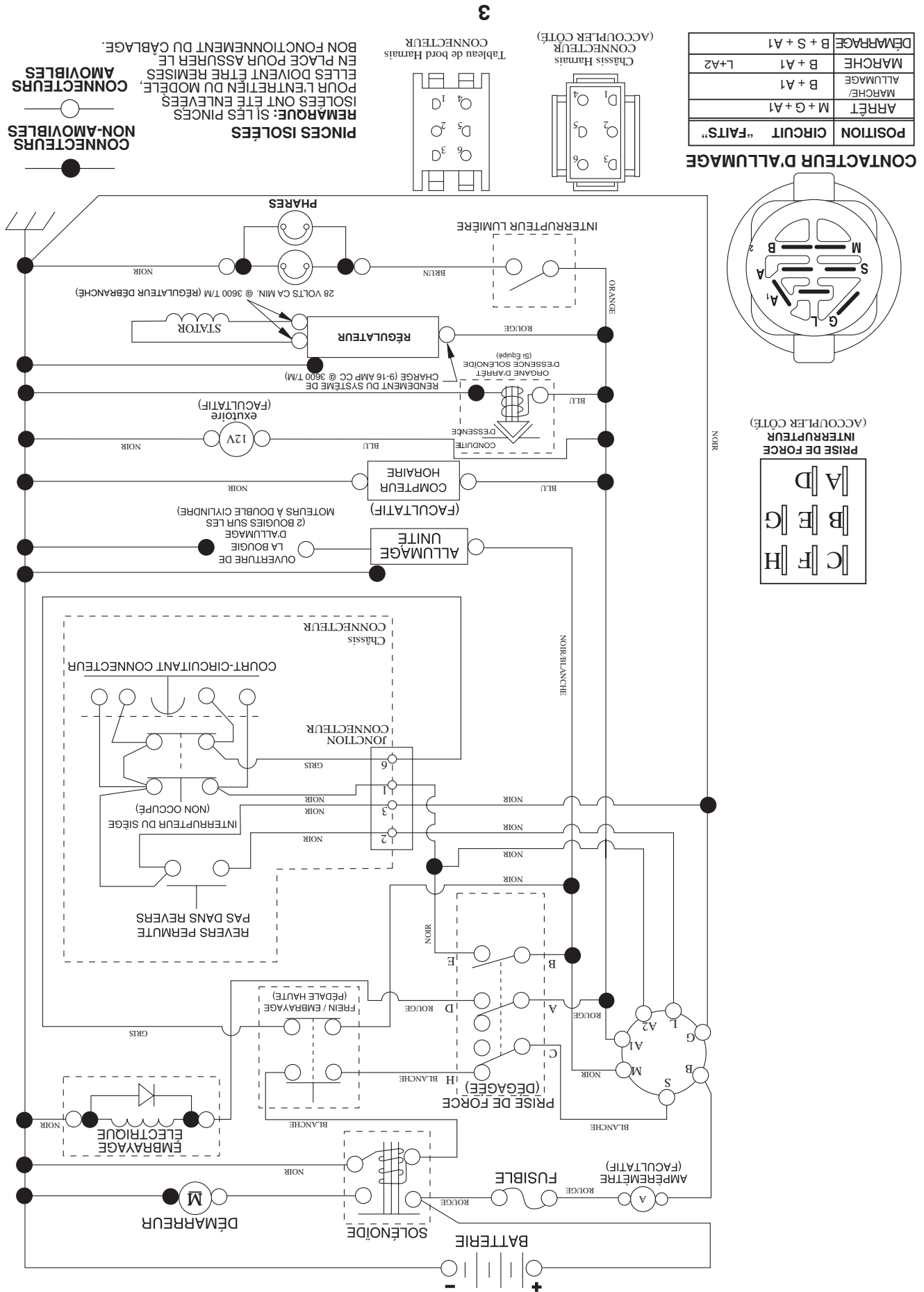
TRACTEUR - NO. DE MODÈLE PBGT26H54 (96042004003), NO. DE PRODUIT 960 42 00-40
CHÂSSIS/ENCEINTE



NO.	DE	REF.	DESCRIPTION
NO.	DE	PIECE	
1		163465	Batterie
2		74760412	Boulon H 1/4-20 unc x 3/4
8		186491	Bac de batterie
16		176138	Interrupteur de verrouillage pressé
21		175688	Harnais des prises de courant des phares W/14152J
22		4152	Ampoule
24		400253	Câble de batterie
25		198893	Câble de batterie de 6 ja avec un fil de 16 po. - rouge
26		175158	Fusible
27		73510400	Ecrou H 1/4-20 unc
28		145491	Câble de masse de 6 ja. de 21" - noir
29		401545	Interrupteur
30		193350	Contacteur d'allumage
33		411935	Clé de contact
34		110712X	L'Interrupteur des phares
40		401104	Support
41		17720408	Vis 1/4-20 x 1/2
42		131563	Couverture de borne
43		192507	Solénoïde
46		401763	Compteur horaire
50		174653	Interrupteur
55		17060512	Vis 5/16-18 x 3/4
59		400303	Sortie 12-volt
71		194276	Harnais des câbles d'allumage Châssis
79		175242	Assemblée De Bulbholder
90		400724	Couverture
91		190270	Attache
99		17670412	Vis H 1/4-20 x 3/4
100		19091416	Rondelle 9/32 x 7/8 x 16 Ja.
101		198317	Natte MATNLK
102		404454	Exploiter la natte 12V sortie
103		407962	Exploiter la natte K46
105		407568	Interrupteur marche arrière pédale

REMARQUE: Toutes les dimensions de composant sont données en pouces E.-U. --1 pouce = 25,4 mm





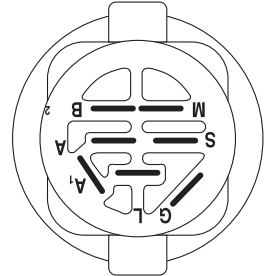
PINCES ISOLÉES
 REMARQUE: SI LES PINCES ISOLÉES ONT ÉTÉ ENLEVÉES, ELLES DOIVENT ÊTRE REMISES POUR L'ENTRETIEN DU MODÈLE. EN PLACE POUR ASSURER LE BON FONCTIONNEMENT DU CÂBLAGE.

CONNECTEURS NON-AMOVIBLES (represented by a solid circle symbol)

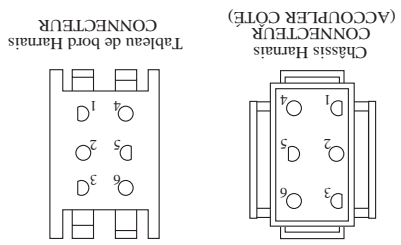
CONNECTEURS AMOVIBLES (represented by an open circle symbol)

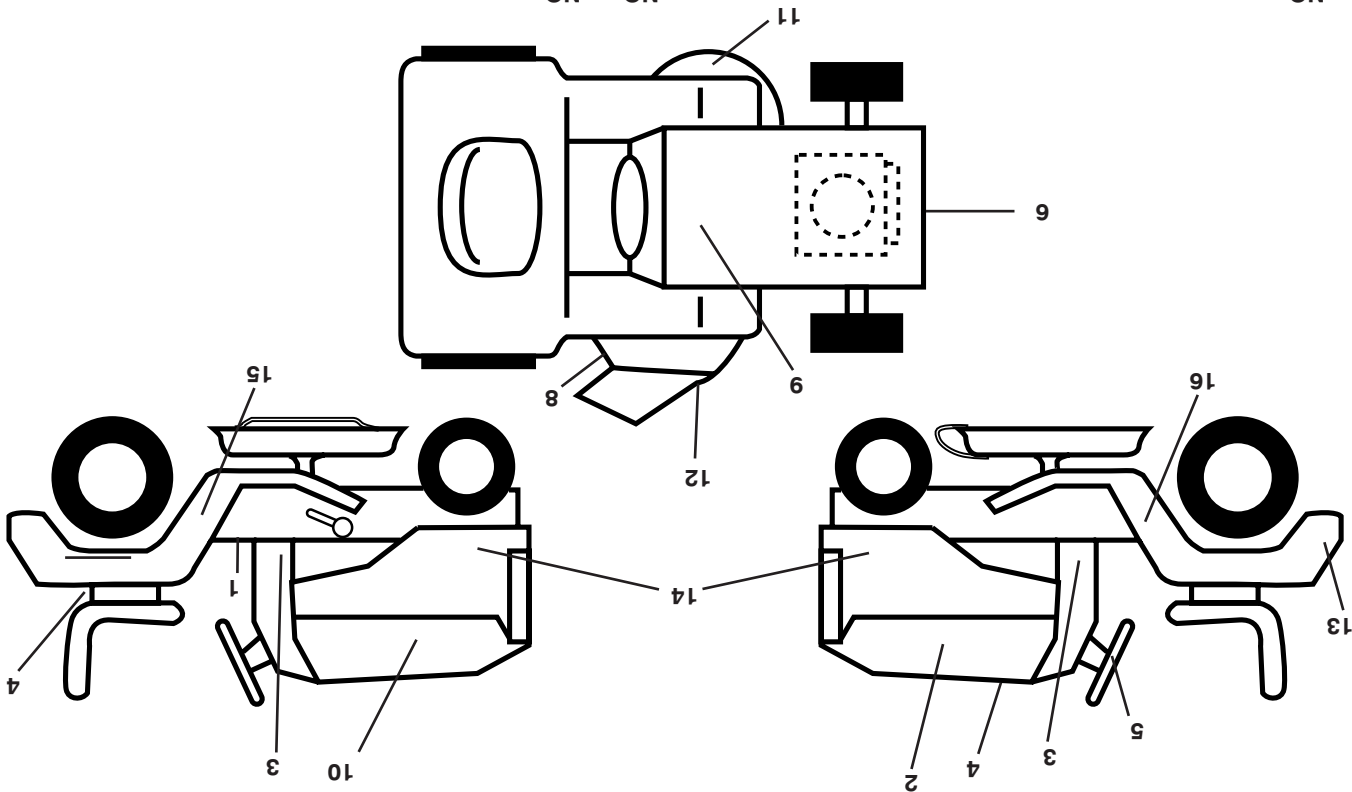
CONTACTEUR D'ALLUMAGE

POSITION	CIRCUIT "FAITS"	CIRCUIT "FAITS"
ARRÊT	M + G + A1	M + G + A1
MARCHE/ ALLUMAGE	B + A1	B + A1
MARCHE	B + A1	B + A1
DÉMARRAGE	B + S + A1	B + S + A1

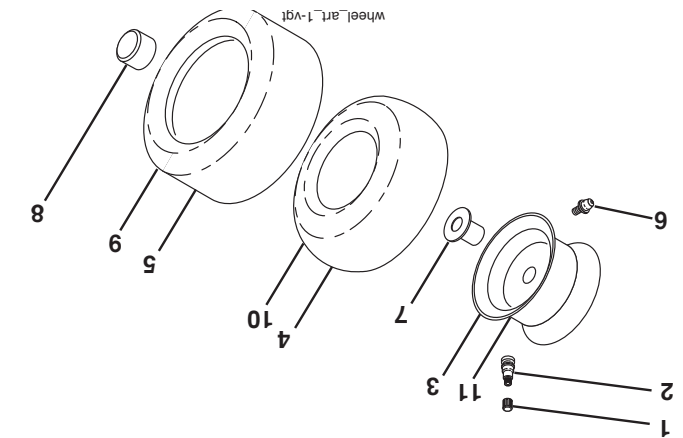


3





WHEELS AND TIRES



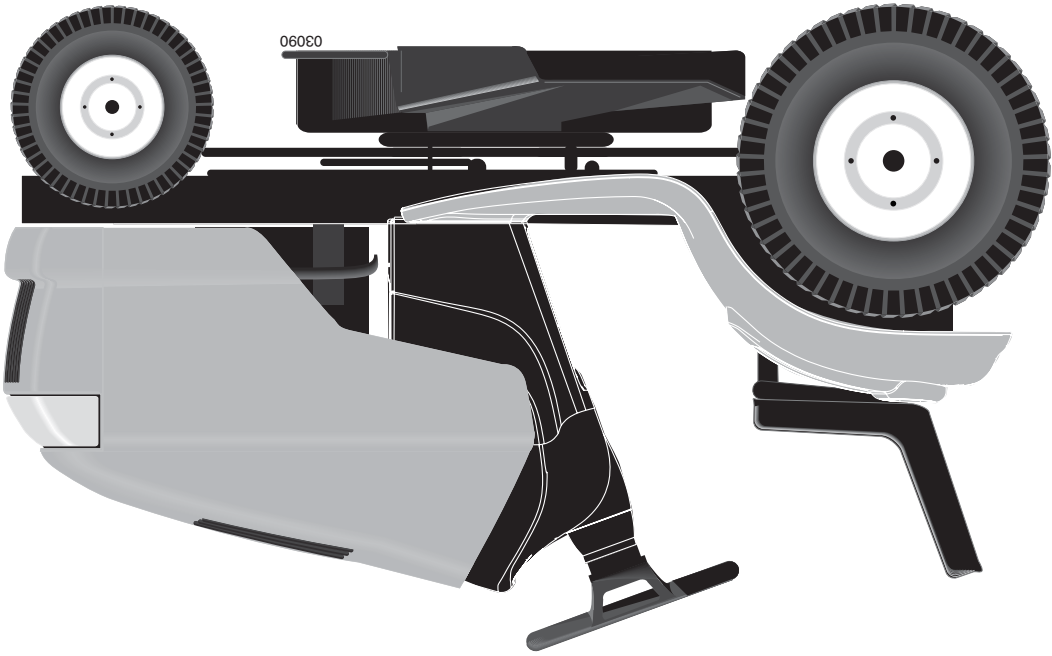
NO.	DÉ	PIÈCE	DESCRIPTION
1	411658	1	Décalcomanie d'opération
2	402355	2	Décalcomanie du capot avec
3	402525	3	Décalcomanie inférieure tableau de bord
4	411140	4	Décalcomanie de pièces de rechange
5	172743	5	Décalcomanie volant de direction
6	408843	6	Décalcomanie du moteur
8	198785	8	Décalcomanie de tondeuse
9	145005	9	Décalcomanie de danger/poison de la
10	402357	10	Décalcomanie du capot avec

NO.	DÉ	PIÈCE	DESCRIPTION
1	59192	1	Capuchon de la valve du pneu
2	65139	2	Tubulure de la valve
3	106228X421	3	Ensemble de la jante antérieure
4	8134H	4	Chambre à air antérieure (non fournie)
5	106230X	5	Pneu antérieur
6	278H	6	Graisneur (roue antérieure seulement)
7	9040H	7	Paliers à bride (roue antérieure seulement)
8	104757X421	8	Chapeau de l'essieu
9	105588X	9	Pneu arrière
10	7154J	10	Chambre à air arrière (non fournie)
11	124074X421	11	Ensemble de la jante arrière
--	144334	--	Joint d'étanchéité de pneu (tube de

NO.	DÉ	PIÈCE	DESCRIPTION
11	178502	11	Décalcomanie d'attention
12	170563	12	Décalcomanie de tondeuse
13	172740	13	Décalcomanie de l'aile
14	408796	14	Décalcomanie du panneau latéral
15	408948	15	Décalcomanie Pare-chocs latéral CG
16	408949	16	Décalcomanie Pare-chocs latéral CD
--	166960	--	Décalcomanie dérivation
--	193279X428	--	Coussin d' repose-pied C.G.
--	193101X428	--	Coussin d' repose-pied C.D.
--	409631	--	Manuel du propriétaire (anglais)
--	419061	--	Manuel du propriétaire (français)

REMARQUE: Toutes les dimensions de composant sont données en pouces E.-U. --1 pouce = 25,4 mm

Poulan PRO



MANUEL DE PARTIES DE RÉPARATION

MODÈLE:

PBGT26H54
TRACTEUR DE JARDIN

Portez toujours des lunettes de sécurité lors de l'utilisation.

Visitez notre site web: www.poulan-pro.com

Lisez soigneusement le manuel
suivez tous les avertissements et les
instructions de sécurité. Les blessures
sérieuses peuvent en résulter si
vous ne lisez pas ces avertissements
et instructions de sécurité.

AVERTISSEMENT:

