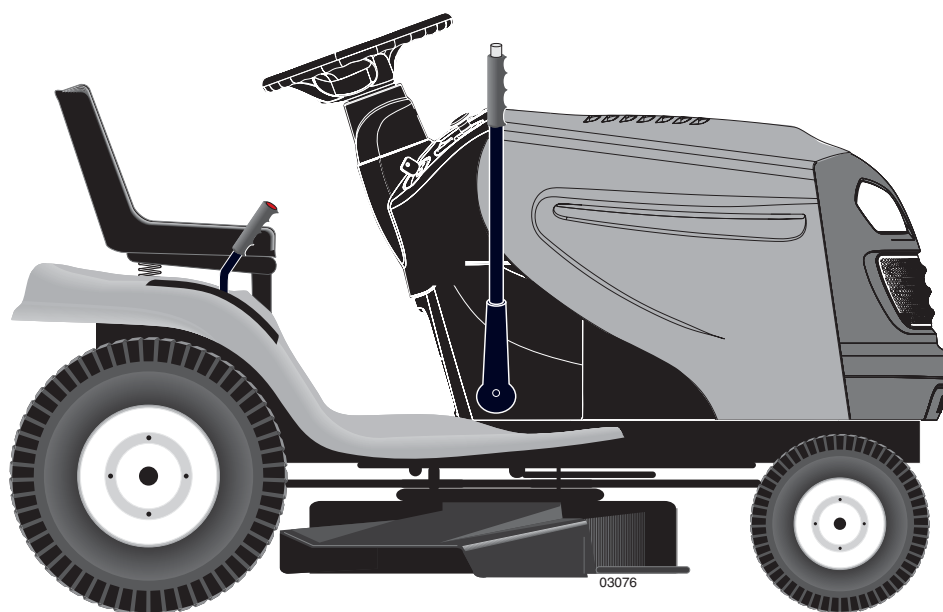


Poulan PRO



OPERATOR'S MANUAL

**MODEL:
PBA19542LTX
LAWN TRACTOR**



WARNING:

Read this Manual and follow all Warnings and Safety Instructions. Failure to do so can result in serious injury.

ALWAYS WEAR EYE PROTECTION DURING OPERATION

Visit our website: www.poulan.com



SAFETY RULES



Safe Operation Practices for Ride-On Mowers

DANGER: THIS CUTTING MACHINE IS CAPABLE OF AMPUTATING HANDS AND FEET AND THROWING OBJECTS. FAILURE TO OBSERVE THE FOLLOWING SAFETY INSTRUCTIONS COULD RESULT IN SERIOUS INJURY OR DEATH.



WARNING: In order to prevent accidental starting when setting up, transporting, adjusting or making repairs, always disconnect spark plug wire and place wire where it cannot contact spark plug.



WARNING: Do not coast down a hill in neutral, you may lose control of the tractor.



WARNING: Tow only the attachments that are recommended by and comply with specifications of the manufacturer of your tractor. Use common sense when towing. Operate only at the lowest possible speed when on a slope. Too heavy of a load, while on a slope, is dangerous. Tires can lose traction with the ground and cause you to lose control of your tractor.



WARNING



Engine exhaust, some of its constituents, and certain vehicle components contain or emit chemicals known to the State of California to cause cancer and birth defects or other reproductive harm.



WARNING



Battery posts, terminals and related accessories contain lead and lead compounds, chemicals known to the State of California to cause cancer and birth defects or other reproductive harm. Wash hands after handling.

I. GENERAL OPERATION

- Read, understand, and follow all instructions on the machine and in the manual before starting.
- Do not put hands or feet near rotating parts or under the machine. Keep clear of the discharge opening at all times.
- Only allow responsible adults, who are familiar with the instructions, to operate the machine.
- Clear the area of objects such as rocks, toys, wire, etc., which could be picked up and thrown by the blades.
- Be sure the area is clear of bystanders before operating. Stop machine if anyone enters the area.
- Never carry passengers.
- Do not mow in reverse unless absolutely necessary. Always look down and behind before and while backing.
- Never direct discharged material toward anyone. Avoid discharging material against a wall or obstruction. Material may ricochet back toward the operator. Stop the blades when crossing gravel surfaces.

- Do not operate machine without the entire grass catcher, discharge guard, or other safety devices in place and working.
- Slow down before turning.
- Never leave a running machine unattended. Always turn off blades, set parking brake, stop engine, and remove keys before dismounting.
- Disengage blades when not mowing. Shut off engine and wait for all parts to come to a complete stop before cleaning the machine, removing the grass catcher, or unclogging the discharge guard.
- Operate machine only in daylight or good artificial light.
- Do not operate the machine while under the influence of alcohol or drugs.
- Watch for traffic when operating near or crossing roadways.
- Use extra care when loading or unloading the machine into a trailer or truck.
- Always wear eye protection when operating machine.
- Data indicates that operators, age 60 years and above, are involved in a large percentage of riding mower-related injuries. These operators should evaluate their ability to operate the riding mower safely enough to protect themselves and others from serious injury.
- Follow the manufacturer's recommendation for wheel weights or counterweights.
- Keep machine free of grass, leaves or other debris build-up which can touch hot exhaust / engine parts and burn. Do not allow the mower deck to plow leaves or other debris which can cause build-up to occur. Clean any oil or fuel spillage before operating or storing the machine. Allow machine to cool before storage.

II. SLOPE OPERATION

Slopes are a major factor related to loss of control and tip-over accidents, which can result in severe injury or death. Operation on all slopes requires extra caution. If you cannot back up the slope or if you feel uneasy on it, do not mow it.

- Mow up and down slopes, not across.
- Watch for holes, ruts, bumps, rocks, or other hidden objects. Uneven terrain could overturn the machine. Tall grass can hide obstacles.
- Choose a low ground speed so that you will not have to stop or shift while on the slope.
- Do not mow on wet grass. Tires may lose traction. Always keep the machine in gear when going down slopes. Do not shift to neutral and coast downhill.
- Avoid starting, stopping, or turning on a slope. If the tires lose traction, disengage the blades and proceed slowly straight down the slope.
- Keep all movement on the slopes slow and gradual. Do not make sudden changes in speed or direction, which could cause the machine to roll over.
- Use extra care while operating machine with grass catchers or other attachments; they can affect the stability of the machine. Do no use on steep slopes.
- Do not try to stabilize the machine by putting your foot on the ground.
- Do not mow near drop-offs, ditches, or embankments. The machine could suddenly roll over if a wheel is over the edge or if the edge caves in.



SAFETY RULES



Safe Operation Practices for Ride-On Mowers

III. CHILDREN

Tragic accidents can occur if the operator is not alert to the presence of children. Children are often attracted to the machine and the mowing activity. *Never* assume that children will remain where you last saw them.

- Keep children out of the mowing area and in the watchful care of a responsible adult other than the operator.
- Be alert and turn machine off if a child enters the area.
- Before and while backing, look behind and down for small children.
- Never carry children, even with the blades shut off. They may fall off and be seriously injured or interfere with safe machine operation. Children who have been given rides in the past may suddenly appear in the mowing area for another ride and be run over or backed over by the machine.
- Never allow children to operate the machine.
- Use extra care when approaching blind corners, shrubs, trees, or other objects that may block your view of a child.

IV. TOWING

- Tow only with a machine that has a hitch designed for towing. Do not attach towed equipment except at the hitch point.
- Follow the manufacturer's recommendation for weight limits for towed equipment and towing on slopes.
- Never allow children or others in or on towed equipment.
- On slopes, the weight of the towed equipment may cause loss of traction and loss of control.
- Travel slowly and allow extra distance to stop.

V. SERVICE

SAFE HANDLING OF GASOLINE

To avoid personal injury or property damage, use extreme care in handling gasoline. Gasoline is extremely flammable and the vapors are explosive.

- Extinguish all cigarettes, cigars, pipes, and other sources of ignition.
- Use only approved gasoline container.
- Never remove gas cap or add fuel with the engine running. Allow engine to cool before refueling.
- Never fuel the machine indoors.
- Never store the machine or fuel container where there is an open flame, spark, or pilot light such as on a water heater or other appliances.
- Never fill containers inside a vehicle or on a truck or trailer bed with plastic liner. Always place containers on the ground away from your vehicle when filling.
- Remove gas-powered equipment from the truck or trailer and refuel it on the ground. If this is not possible, then refuel such equipment with a portable container, rather than from a gasoline dispenser nozzle.
- Keep the nozzle in contact with the rim of the fuel tank or container opening at all times until fueling is complete. Do not use a nozzle lock-open device.
- If fuel is spilled on clothing, change clothing immediately.
- Never overfill fuel tank. Replace gas cap and tighten securely.

GENERAL SERVICE

- Never operate machine in a closed area.
- Keep all nuts and bolts tight to be sure the equipment is in safe working condition.
- Never tamper with safety devices. Check their proper operation regularly.
- Keep machine free of grass, leaves, or other debris build-up. Clean oil or fuel spillage and remove any fuel-soaked debris. Allow machine to cool before storing.
- If you strike a foreign object, stop and inspect the machine. Repair, if necessary, before restarting.
- Never make any adjustments or repairs with the engine running.
- Check grass catcher components and the discharge guard frequently and replace with manufacturer's recommended parts, when necessary.
- Mower blades are sharp. Wrap the blade or wear gloves, and use extra caution when servicing them.
- Check brake operation frequently. Adjust and service as required.
- Maintain or replace safety and instruction labels, as necessary.



- Be sure the area is clear of bystanders before operating. Stop machine if anyone enters the area.
- Never carry passengers.
- Do not mow in reverse unless absolutely necessary. Always look down and behind before and while backing.
- Never carry children, even with the blades shut off. They may fall off and be seriously injured or interfere with safe machine operation. Children who have been given rides in the past may suddenly appear in the mowing area for another ride and be run over or backed over by the machine.
- Keep children out of the mowing area and in the watchful care of a responsible adult other than the operator.
- Be alert and turn machine off if a child enters the area.
- Before and while backing, look behind and down for small children.
- Mow up and down slopes (15° Max), not across.
- Choose a low ground speed so that you will not have to stop or shift while on the slope.
- Avoid starting, stopping, or turning on a slope. If the tires lose traction, disengage the blades and proceed slowly straight down the slope.
- If machine stops while going uphill, disengage blades, shift into reverse and back down slowly.
- Do not turn on slopes unless necessary, and then, turn slowly and gradually downhill, if possible.

PRODUCT SPECIFICATIONS

Gasoline Capacity and Type:	1.50 Gallons Unleaded Regular
Oil Type (API-SG-SL):	SAE 30 (above 32°F) SAE 5W-30 (below 32°F)
Oil Capacity:	W/Filter: 56 oz W/O Filter: 48 oz
Spark Plug:	Champion RC12YC (Gap: .030")
Ground Speed (MPH):	Forward: 1st 1.1 2nd 1.4 3rd 2.2 4th 3.4 5th 4.3 6th 5.5 Reverse: 1.7
Charging System:	3 Amps Battery 5 Amps Headlights
Battery:	AMP/HR: 28 Min. CCA: 230 Case Size: U1R
Blade Torque:	45-55 FT. LBS.

CONGRATULATIONS on your purchase of a new tractor. It has been designed, engineered and manufactured to give you the best possible dependability and performance.

Should you experience any problem you cannot easily remedy, please contact your nearest authorized service center/department. We have competent, well-trained technicians and the proper tools to service or repair this tractor.

Please read and retain this manual. The instructions will enable you to assemble and maintain your tractor properly. Always observe the "SAFETY RULES".

CUSTOMER RESPONSIBILITIES

- Read and observe the safety rules.
- Follow a regular schedule in maintaining, caring for and using your tractor.
- Follow the instructions under "Maintenance" and "Storage" sections of this owner's manual.

WARNING: This tractor is equipped with an internal combustion engine and should not be used on or near any unimproved forest-covered, brush-covered or grass-covered land unless the engine's exhaust system is equipped with a spark arrester meeting applicable local or state laws (if any). If a spark arrester is used, it should be maintained in effective working order by the operator.

A spark arrester for the muffler is available through your nearest authorized service center/department.

In the state of California the above is required by law (Section 4442 of the California Public Resources Code). Other states may have similar laws. Federal laws apply on federal lands.

TABLE OF CONTENTS

SAFETY RULES	2-3
PRODUCT SPECIFICATIONS.....	4
CUSTOMER RESPONSIBILITIES.....	4
ASSEMBLY	6-8
OPERATION	9-14

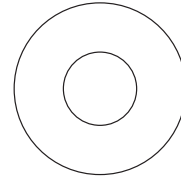
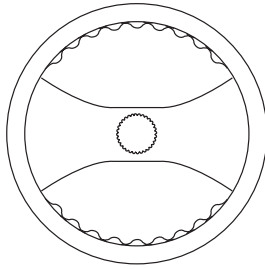
MAINTENANCE SCHEDULE	15
MAINTENANCE	15-18
SERVICE AND ADJUSTMENTS	19-23
STORAGE.....	24
TROUBLESHOOTING	25-26
WARRANTY.....	27

UNASSEMBLED PARTS

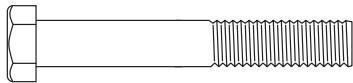
Steering Wheel



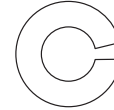
Steering Wheel Insert



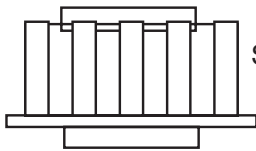
(1) Large Flat Washer



(1) Hex Bolt
5/16-18 x 4



(1) 5/16 Lock Washer



Steering Wheel Adapter

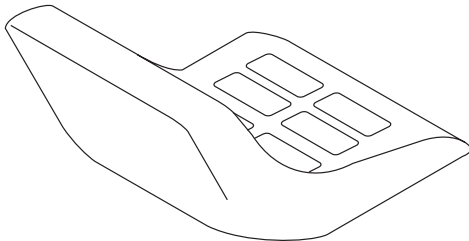


Steering Boot



Steering Extension Shaft

Seat



(1) Seat



(1) Washer

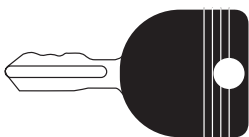


(1) Knob



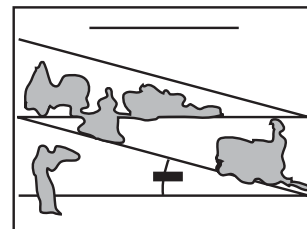
(1) Oil Drain Tube
For Future Use

Keys



(2) Keys

Slope Sheet



ASSEMBLY

Your new tractor has been assembled at the factory with exception of those parts left unassembled for shipping purposes. To ensure safe and proper operation of your tractor all parts and hardware you assemble must be tightened securely. Use the correct tools as necessary to insure proper tightness.

TOOLS REQUIRED FOR ASSEMBLY

A socket wrench set will make assembly easier. Standard wrench sizes are listed.

- (1) 3/4" wrench Pliers
- (1) 1/2" wrench Tire pressure gauge
- Utility knife

When right or left hand is mentioned in this manual, it means when you are in the operating position (seated behind the steering wheel).

TO REMOVE TRACTOR FROM CARTON

UNPACK CARTON

- Remove all accessible loose parts and parts cartons from carton.
- Cut along dashed lines on all four panels of carton. Remove end panels and lay side panels flat.
- Check for any additional loose parts or cartons and remove.

BEFORE REMOVING TRACTOR FROM SKID

ATTACH STEERING WHEEL (See Fig. 1)

ASSEMBLE EXTENSION SHAFT AND BOOT

- Slide extension shaft onto lower steering shaft.
- Place tabs of steering boot over tab slots in dash and push down to secure.

INSTALL STEERING WHEEL

- Position front wheels of the tractor so they are pointing straight forward.
- Remove steering wheel adapter from steering wheel and slide adapter onto steering shaft extension.
- Position steering wheel so cross bars are horizontal (left to right) and slide inside boot and onto adapter.
- Assemble large flat washer, 5/16 lock washer, 5/16 hex bolt and tighten securely.
- Snap steering wheel insert into center of steering wheel.
- Remove protective materials from tractor hood and grill.

IMPORTANT: CHECK FOR AND REMOVE ANY STAPLES IN SKID THAT MAY PUNCTURE TIRES WHERE TRACTOR IS TO ROLL OFF SKID.

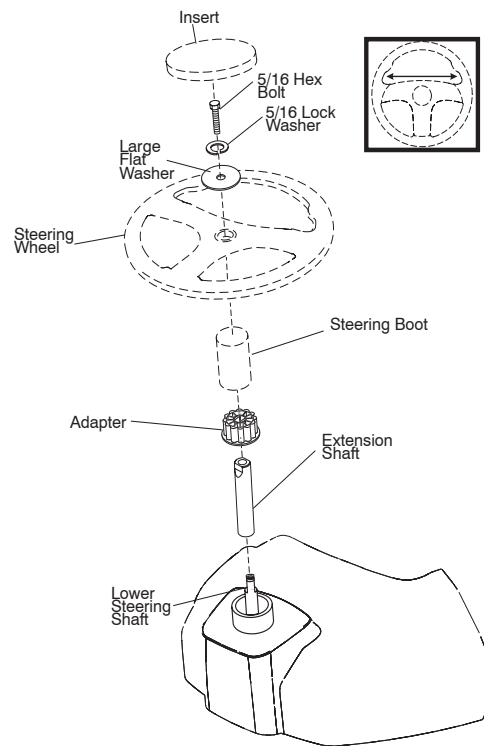


FIG. 1

ASSEMBLY

INSTALL SEAT (See Fig. 2)

Adjust seat before tightening adjustment knob.

- Remove adjustment knob and flat washer securing seat to cardboard packing and set aside for assembly of seat to tractor.
- Pivot seat upward and remove from the cardboard packing. Remove the cardboard packing and discard.
- Place seat on seat pan so head of shoulder bolts are positioned over the large slotted holes in pan.
- Push down on seat to engage shoulder bolts in slots and pull seat towards rear of tractor.
- Pivot seat and pan forward and assemble adjustment knob and flat washer loosely. Do not tighten.
- Lower seat into operating position and sit in seat.
- Slide seat until a comfortable position is reached which allows you to press clutch/brake pedal all the way down.
- Get off seat without moving its adjusted position.
- Raise seat and tighten adjustment knob securely.

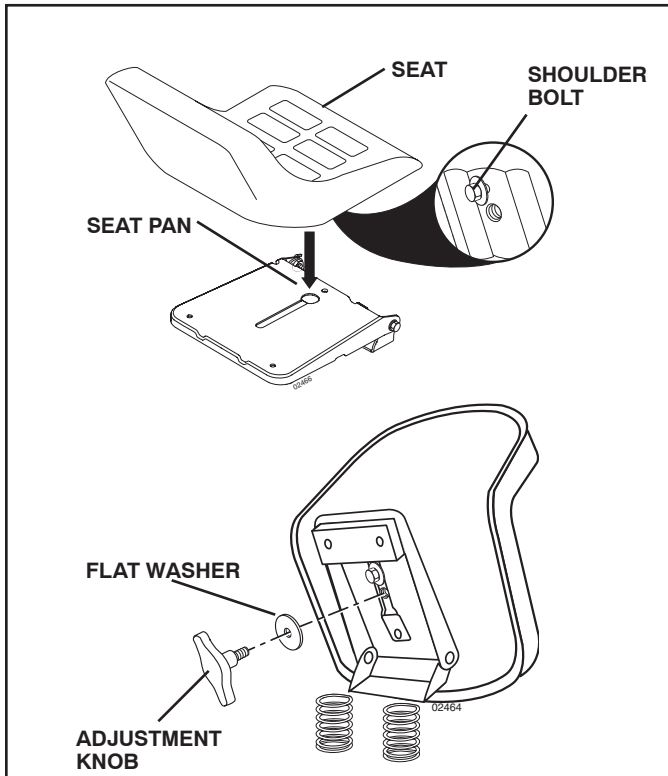


FIG. 2

CHECK BATTERY (See Fig. 3)

- Lift seat pan to raised position.
- If this battery is put into service after month and year indicated on label (label located between terminals) charge battery for minimum of one hour at 6-10 amps. (See "BATTERY" in MAINTENANCE section of this manual for charging instructions).

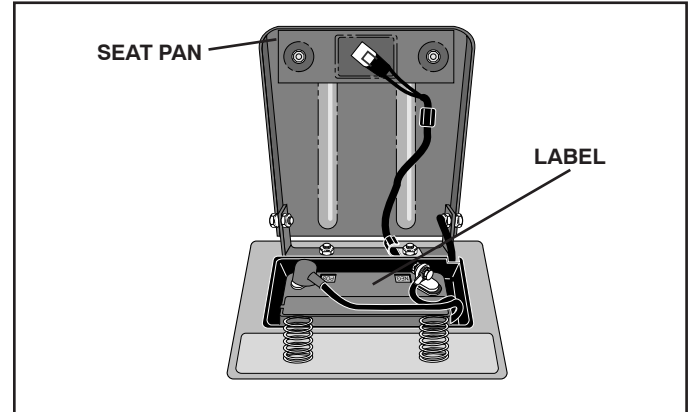


FIG. 3

NOTE: You may now roll or drive your tractor off the skid. Follow the appropriate instruction below to remove the tractor from the skid.

WARNING: Before starting, read, understand and follow all instructions in the Operation section of this manual. Be sure tractor is in a well-ventilated area. Be sure the area in front of tractor is clear of other people and objects.

TO ROLL TRACTOR OFF SKID (See Operation section for location and function of controls)

- Press lift lever plunger and raise attachment lift lever to its highest position.
- Release parking brake by depressing clutch/brake pedal.
- Place gearshift lever in neutral (N) position.
- Roll tractor forward off skid.
- Remove banding holding the deflector shield up against tractor.

ASSEMBLY

TO DRIVE TRACTOR OFF SKID (See Operation section for location and function of controls)

- Be sure all the above assembly steps have been completed.
- Check engine oil level and fill fuel tank with gasoline.
- Sit on seat in operating position, depress clutch/brake pedal and set the parking brake.
- Place gear shift lever in neutral (N) position.
- Press lift lever plunger and raise attachment lift lever to its highest position.
- Remove key from bag and start the engine (see "TO START ENGINE" in the Operation section of this manual). After engine has started, move throttle control to idle (slow) position.
- Depress clutch/brake pedal into full "BRAKE" position and hold. Move gearshift lever to 1st gear.
- Slowly release clutch/brake pedal and slowly drive tractor off skid.
- Apply brake to stop tractor, set parking brake and place gearshift lever in neutral position.
- Turn ignition key to "STOP" position.

Continue with the instructions that follow.

CHECK TIRE PRESSURE

The tires on your tractor were overinflated at the factory for shipping purposes. Correct tire pressure is important for best cutting performance.

- Reduce tire pressure to PSI shown on tires.

CHECK DECK LEVELNESS

For best cutting results, mower housing should be properly leveled. See "TO LEVEL MOWER HOUSING" in the Service and Adjustments section of this manual.

CHECK FOR PROPER POSITION OF ALL BELTS

See the figures that are shown for replacing motion and mower blade drive belts in the Service and Adjustments section of this manual. Verify that the belts are routed correctly.

CHECK BRAKE SYSTEM

After you learn how to operate your tractor, check to see that the brake is operating properly. See "TO CHECK BRAKE" in the Service and Adjustments section of this manual.

✓CHECKLIST

BEFORE YOU OPERATE YOUR NEW TRACTOR, WE WISH TO ASSURE THAT YOU RECEIVE THE BEST PERFORMANCE AND SATISFACTION FROM THIS QUALITY PRODUCT.

PLEASE REVIEW THE FOLLOWING CHECKLIST:

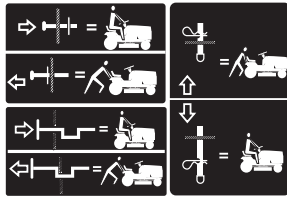
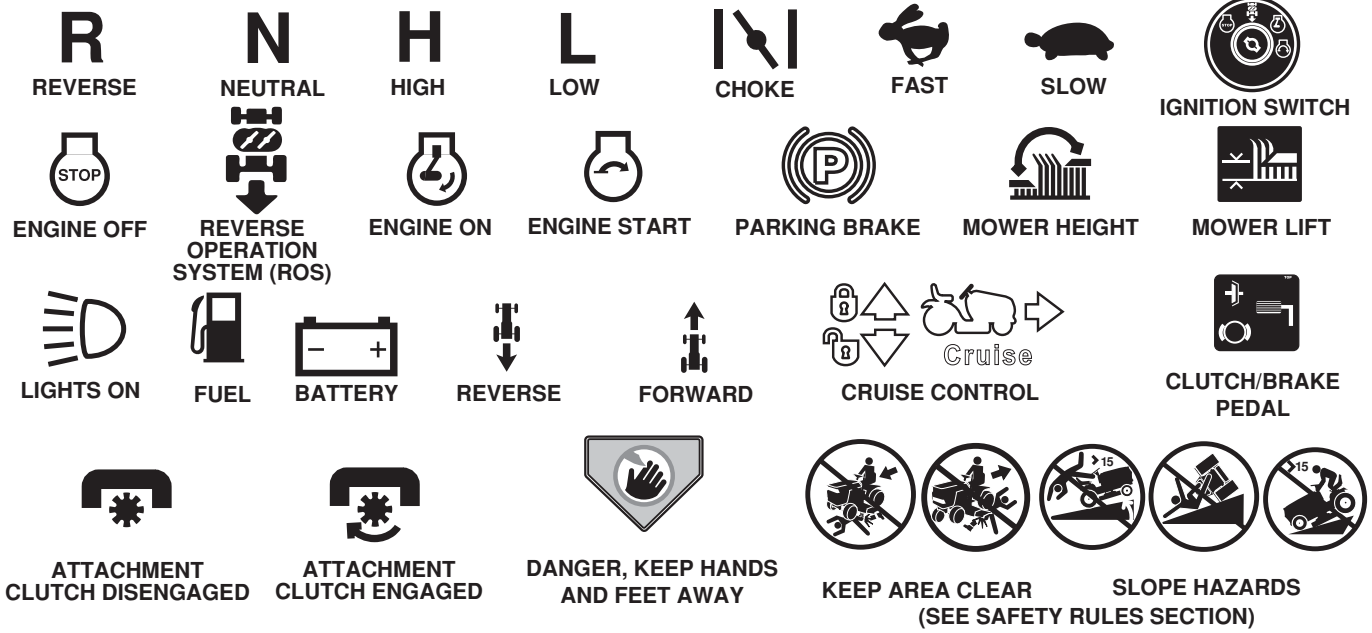
- ✓ All assembly instructions have been completed.
- ✓ No remaining loose parts in carton.
- ✓ Battery is properly prepared and charged.
- ✓ Seat is adjusted comfortably and tightened securely.
- ✓ All tires are properly inflated. (For shipping purposes, the tires were overinflated at the factory).
- ✓ Be sure mower deck is properly leveled side-to-side/front-to-rear for best cutting results. (Tires must be properly inflated for leveling).
- ✓ Check mower and drive belts. Be sure they are routed properly around pulleys and inside all belt keepers.
- ✓ Check wiring. See that all connections are still secure and wires are properly clamped.
- ✓ Before driving tractor, be sure freewheel control is in "transmission engaged" position (see "TO TRANSPORT" in the Operation section of this manual).

WHILE LEARNING HOW TO USE YOUR TRACTOR, PAY EXTRA ATTENTION TO THE FOLLOWING IMPORTANT ITEMS:

- ✓ Engine oil is at proper level.
- ✓ Fuel tank is filled with fresh, clean, regular unleaded gasoline.
- ✓ Become familiar with all controls, their location and function. Operate them before you start the engine.
- ✓ Be sure brake system is in safe operating condition.
- ✓ Be sure Operator Presence System and Reverse Operation System (ROS) are working properly (See the Operation and Maintenance sections in this manual).
- ✓ It is important to purge the transmission before operating your tractor for the first time. Follow proper starting and transmission purging instructions (See "TO START ENGINE" and "PURGE TRANSMISSION" in the Operation section of this manual).

OPERATION

These symbols may appear on your tractor or in literature supplied with the product. Learn and understand their meaning.



FREE WHEEL
(Automatic Models only)



Failure to follow instructions could result in serious injury or death. The safety alert symbol is used to identify safety information about hazards which can result in death, serious injury and/or property damage.



DANGER indicates a hazard which, if not avoided, will result in death or serious injury.



WARNING indicates a hazard which, if not avoided, could result in death or serious injury.



CAUTION indicates a hazard which, if not avoided, might result in minor or moderate injury.

CAUTION when used **without** the alert symbol, indicates a situation that **could result in damage to the tractor and/or engine.**



HOT SURFACES indicates a hazard which, if not avoided, **could result in death, serious injury and/or property damage.**



FIRE indicates a hazard which, if not avoided, **could result in death, serious injury and/or property damage.**

OPERATION

KNOW YOUR TRACTOR

READ THIS OWNER'S MANUAL AND SAFETY RULES BEFORE OPERATING YOUR TRACTOR

Compare the illustrations with your tractor to familiarize yourself with the locations of various controls and adjustments. Save this manual for future reference.

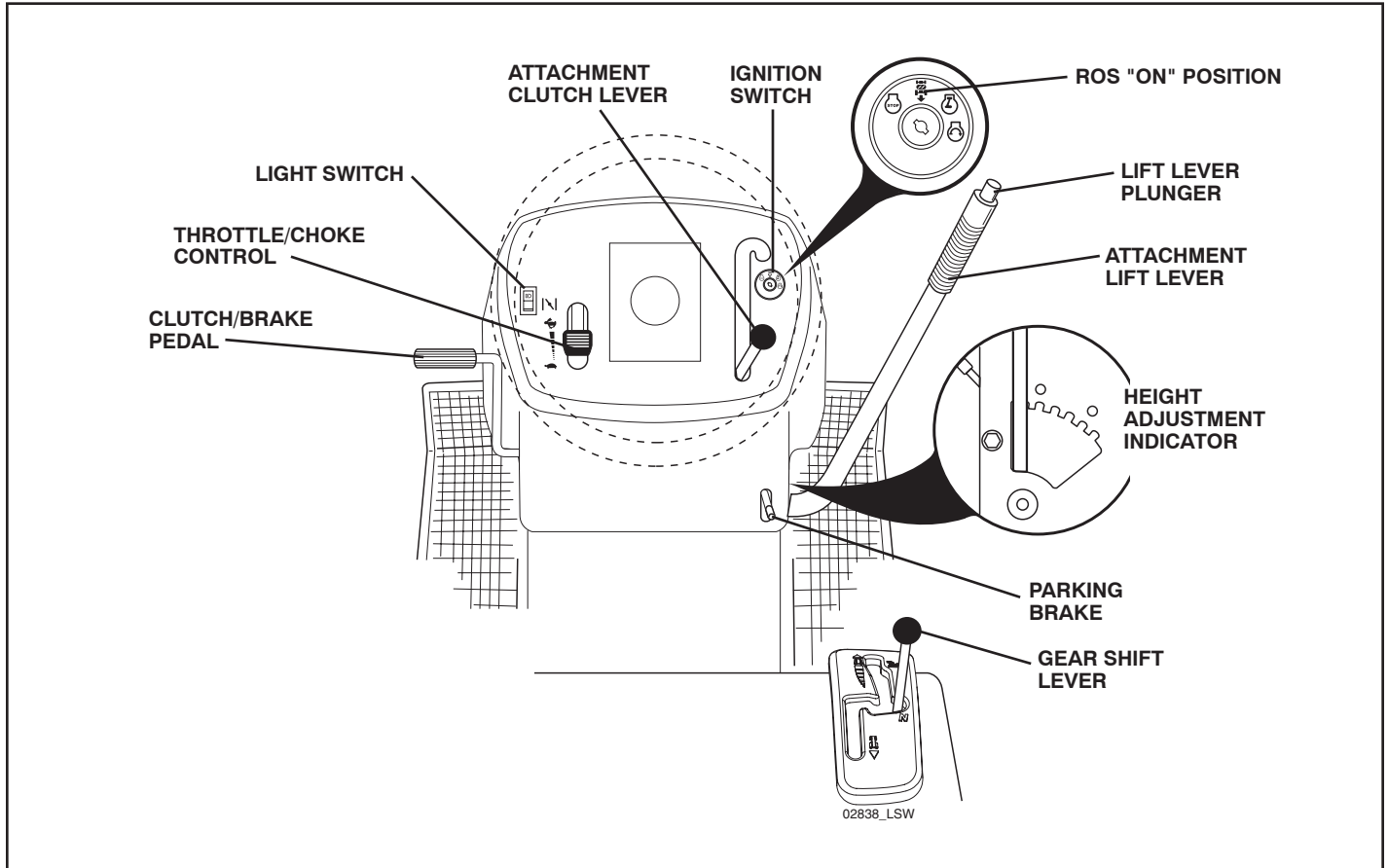


FIG. 4

Our tractors conform to the applicable safety standards of the American National Standards Institute.

ATTACHMENT CLUTCH LEVER - Used to engage the mower blades, or other attachments mounted to your tractor.

ATTACHMENT LIFT LEVER - Used to raise and lower the mower deck or other attachments mounted to your tractor.

CLUTCH/BRAKE PEDAL - Used for declutching and braking the tractor and starting the engine.

LIFT LEVER PLUNGER - Used to release attachment lift lever when changing its position.

LIGHT SWITCH - Turns the headlights on and off.

IGNITION SWITCH - Used for starting and stopping the engine.

GEARSHIFT LEVER - Selects the speed and direction of the tractor.

PARKING BRAKE - Locks clutch/brake pedal into the brake position.

REVERSE OPERATION SYSTEM (ROS) "ON" POSITION - Allows operation of mower deck or other powered attachment while in reverse.

THROTTLE/CHOKE CONTROL - Used for starting and controlling engine speed.

OPERATION



The operation of any tractor can result in foreign objects thrown into the eyes, which can result in severe eye damage. Always wear safety glasses or eye shields while operating your tractor or performing any adjustments or repairs. We recommend a wide vision safety mask over spectacles or standard safety glasses.

HOW TO USE YOUR TRACTOR

TO SET PARKING BRAKE (See Fig. 5)

Your tractor is equipped with an operator presence sensing switch. When engine is running, any attempt by the operator to leave the seat without first setting the parking brake will shut off the engine.

- Depress clutch/brake pedal into full "BRAKE" position and hold.
- Place parking brake lever in "ENGAGED" position and release pressure from clutch/brake pedal. Pedal should remain in "BRAKE" position. Make sure parking brake will hold tractor secure.

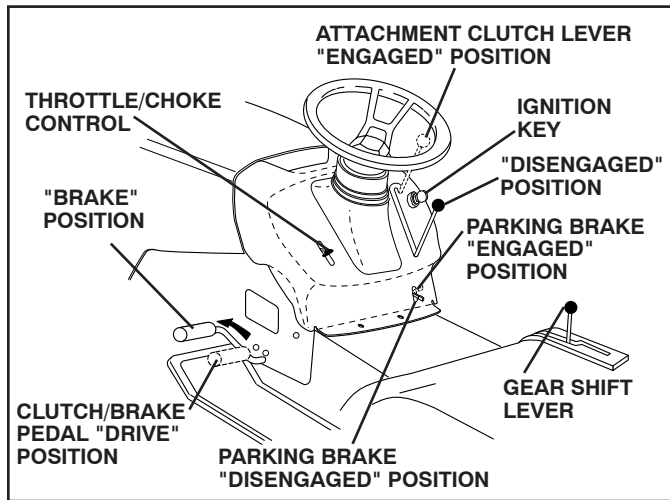


FIG. 5

STOPPING (See Fig. 5)

MOWER BLADES -

- To stop mower blades, move attachment clutch lever to "DISENGAGED" position.

GROUND DRIVE -

- To stop ground drive, depress clutch/brake pedal into full "BRAKE" position.
- Move gearshift lever to neutral (N) position.

ENGINE -

- Move throttle control between half and full speed (fast) position.

NOTE: Failure to move throttle control between half and full speed (fast) position, before stopping may cause engine to "backfire".

- Turn ignition key to "OFF" position and remove key. Always remove key when leaving tractor to prevent unauthorized use.

IMPORTANT: LEAVING THE IGNITION SWITCH IN ANY POSITION OTHER THAN "OFF" WILL CAUSE THE BATTERY TO BE DISCHARGED, (DEAD).

NOTE: Under certain conditions when tractor is standing idle with the engine running, hot engine exhaust gases may cause "browning" of grass. To eliminate this possibility, always stop engine when stopping tractor on grass areas.



CAUTION: Always stop tractor completely, as described above, before leaving the operator's position; to empty grass catcher, etc.

TO USE THROTTLE CONTROL (See Fig. 5)

Always operate engine at full speed (fast).

- Operating engine at less than full speed (fast) reduces the engine's operating efficiency.
- Full speed (fast) offers the best mower performance.

TO MOVE FORWARD AND BACKWARD (See Fig. 5)

The direction and speed of movement is controlled by the gearshift lever.

- Start tractor with clutch/brake pedal depressed and gearshift lever in neutral (N) position.
- Move gearshift lever to desired position.
- Slowly release clutch/brake pedal to start movement.

IMPORTANT: BRING TRACTOR TO A COMPLETE STOP BEFORE SHIFTING OR CHANGING GEARS. FAILURE TO DO SO WILL SHORTEN THE USEFUL LIFE OF YOUR TRANSAXLE.

TO ADJUST MOWER CUTTING HEIGHT (See Fig. 5)

The position of the attachment lift lever determines the cutting height.

- Grasp lift lever.
- Press plunger with thumb and move lever to desired position.

The cutting height range is approximately 1-1/2 to 4". The heights are measured from the ground to the blade tip with the engine not running. These heights are approximate and may vary depending upon soil conditions, height of grass and types of grass being mowed.

- The average lawn should be cut to approximately 2-1/2 inches during the cool season and to over 3 inches during hot months. For healthier and better looking lawns, mow often and after moderate growth.
- For best cutting performance, grass over 6 inches in height should be mowed twice. Make the first cut relatively high; the second to desired height.

OPERATION

TO OPERATE MOWER (See Fig. 6)

Your tractor is equipped with an operator presence sensing switch. Any attempt by the operator to leave the seat with the engine running and the attachment clutch engaged will shut off the engine. You must remain fully and centrally positioned in the seat to prevent the engine from hesitating or cutting off when operating your equipment on rough, rolling terrain or hills.

- Select desired height of cut.
- Start mower blades by engaging attachment clutch control.
- TO STOP MOWER BLADES - disengage attachment clutch control.



CAUTION: Do not operate the mower without either the entire grass catcher, on mowers so equipped, or the deflector shield in place.

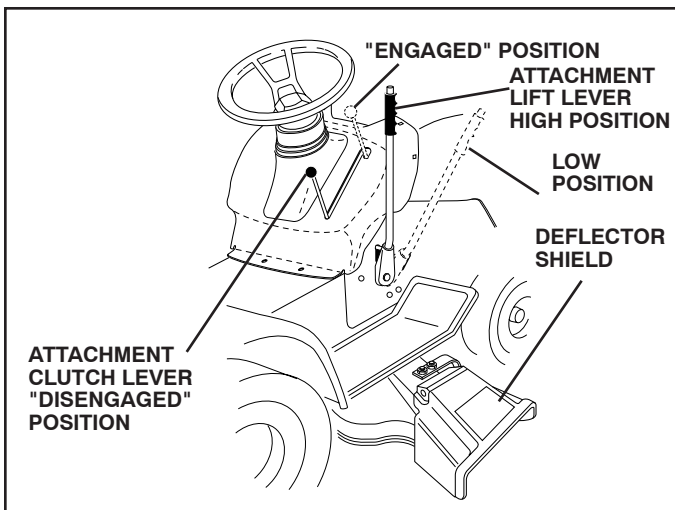


FIG. 6

REVERSE OPERATION SYSTEM (ROS)

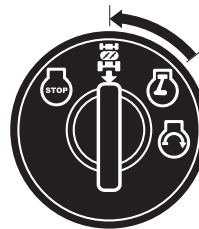
Your tractor is equipped with a Reverse Operation System (ROS). Any attempt by the operator to travel in the reverse direction with the attachment clutch engaged will shut off the engine unless ignition key is placed in the ROS "ON" position.

WARNING: Backing up with the attachment clutch engaged while mowing is strongly discouraged. Turning the ROS "ON", to allow reverse operation with the attachment clutch engaged, should only be done when the operator decides it is necessary to reposition the machine with the attachment engaged. **Do not mow in reverse unless absolutely necessary.**

USING THE REVERSE OPERATION SYSTEM -

- Depress clutch/brake pedal all the way down and hold.
- With engine running, turn ignition key counterclockwise to ROS "ON" position.
- Look down and behind before backing.
- Move gear shift lever to reverse (R) position and slowly release clutch/brake pedal to start movement.
- When use of the ROS is no longer needed, turn the ignition key clockwise to engine "ON" position.

ROS "ON" POSITION



ENGINE "ON" POSITION (NORMAL OPERATING)

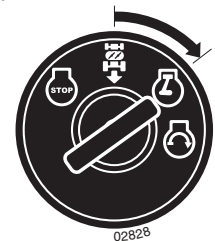


FIG. 7

TO OPERATE ON HILLS



WARNING: Do not drive up or down hills with slopes greater than 15° and do not drive across any slope.

- Choose the slowest speed before starting up or down hills.
- Avoid stopping or changing speed on hills.
- If slowing is necessary, move throttle control lever to slower position.
- If stopping is absolutely necessary, push clutch/brake pedal quickly to brake position and engage parking brake.
- Move gearshift lever to 1st gear. Be sure you have allowed room for tractor to roll slightly as you restart movement.
- To restart movement, slowly release parking brake and clutch/brake pedal.
- Make all turns slowly.

OPERATION

TO TRANSPORT

- Raise attachment lift to highest position with attachment lift control.
- When pushing or towing your tractor, be sure gearshift lever is in neutral (N) position.
- Do not push or tow tractor at more than five (5) MPH.

NOTE: To protect hood from damage when transporting your tractor on a truck or a trailer, be sure hood is closed and secured to tractor. Use an appropriate means of tying hood to tractor (rope, cord, etc.).

TOWING CARTS AND OTHER ATTACHMENTS

Tow only the attachments that are recommended by and comply with specifications of the manufacturer of your tractor. Use common sense when towing. Too heavy of a load, while on a slope, is dangerous. Tires can lose traction with the ground and cause you to lose control of your tractor.

BEFORE STARTING THE ENGINE

CHECK ENGINE OIL LEVEL

- The engine in your tractor has been shipped, from the factory, already filled with summer weight oil.
- Check engine oil with tractor on level ground.
- Remove oil fill cap/dipstick and wipe clean, reinsert the dipstick and screw cap tight, wait for a few seconds, remove and read oil level. If necessary, add oil until "FULL" mark on dipstick is reached. Do not overfill.
- For cold weather operation you should change oil for easier starting (See "OIL VISCOSITY CHART" in the Maintenance section of this manual).
- To change engine oil, see the Maintenance section in this manual.

ADD GASOLINE

- Fill fuel tank to bottom of filler neck. Do not overfill. Use fresh, clean, regular unleaded gasoline with a minimum of 87 octane. (Use of leaded gasoline will increase carbon and lead oxide deposits and reduce valve life). Do not mix oil with gasoline. Purchase fuel in quantities that can be used within 30 days to assure fuel freshness.



CAUTION: Wipe off any spilled oil or fuel. Do not store, spill or use gasoline near an open flame.

IMPORTANT: WHEN OPERATING IN TEMPERATURES BELOW 32°F(0°C), USE FRESH, CLEAN WINTER GRADE GASOLINE TO HELP INSURE GOOD COLD WEATHER STARTING.

CAUTION: Alcohol blended fuels (called gasohol or using ethanol or methanol) can attract moisture which leads to separation and formation of acids during storage. Acidic gas can damage the fuel system of an engine while in storage. To avoid engine problems, the fuel system should be emptied before storage of 30 days or longer. Drain the gas tank, start the engine and let it run until the fuel lines and carburetor are empty. Use fresh fuel next season. See Storage Instructions for additional information. Never use engine or carburetor cleaner products in the fuel tank or permanent damage may occur.

TO START ENGINE (See Fig. 4)

When starting the engine for the first time or if the engine has run out of fuel, it will take extra cranking time to move fuel from the tank to the engine.

- Sit on seat in operating position, depress clutch/brake pedal and set parking brake.
- Place gear shift lever in neutral (N) position.
- Move attachment clutch to "DISENGAGED" position.
- Move throttle control to choke position.

NOTE: Before starting, read the warm and cold starting procedures below.

- Insert key into ignition and turn key clockwise to "START" position and release key as soon as engine starts. Do not run starter continuously for more than fifteen seconds per minute. If the engine does not start after several attempts, move throttle control to fast position, wait a few minutes and try again. If engine still does not start, move the throttle control back to the choke position and retry.

WARM WEATHER STARTING (50° F and above)

- When engine starts, move the throttle control to the fast position.
- The attachments and ground drive can now be used. If the engine does not accept the load, restart the engine and allow it to warm up for one minute using the choke as described above.

OPERATION

COLD WEATHER STARTING (50° F and below)

- When engine starts, allow engine to run with the throttle control in the choke position until the engine runs roughly, then move throttle control to fast position. This may require an engine warm-up period from several seconds to several minutes, depending on the temperature.
- The attachments can also be used during the engine warm-up period.

NOTE: If at a high altitude (above 3000 feet) or in cold temperatures (below 32 F) the carburetor fuel mixture may need to be adjusted for best engine performance. See "TO ADJUST CARBURETOR" in the Service and Adjustments section of this manual.

MOWING TIPS

- Mower should be properly leveled for best mowing performance. See "TO LEVEL MOWER HOUSING" in the Service and Adjustments section of this manual.
- The left hand side of mower should be used for trimming.
- Drive so that clippings are discharged onto the area that has been cut. Have the cut area to the right of the machine. This will result in a more even distribution of clippings and more uniform cutting.
- When mowing large areas, start by turning to the right so that clippings will discharge away from shrubs, fences, driveways, etc. After one or two rounds, mow in the opposite direction making left hand turns until finished (See Fig. 9).

- If grass is extremely tall, it should be mowed twice to reduce load and possible fire hazard from dried clippings. Make first cut relatively high; the second to the desired height.
- Do not mow grass when it is wet. Wet grass will plug mower and leave undesirable clumps. Allow grass to dry before mowing.
- **Always operate engine at full throttle when mowing** to assure better mowing performance and proper discharge of material. Regulate ground speed by selecting a low enough gear to give the mower cutting performance as well as the quality of cut desired.
- When operating attachments, select a ground speed that will suit the terrain and give best performance of the attachment being used.

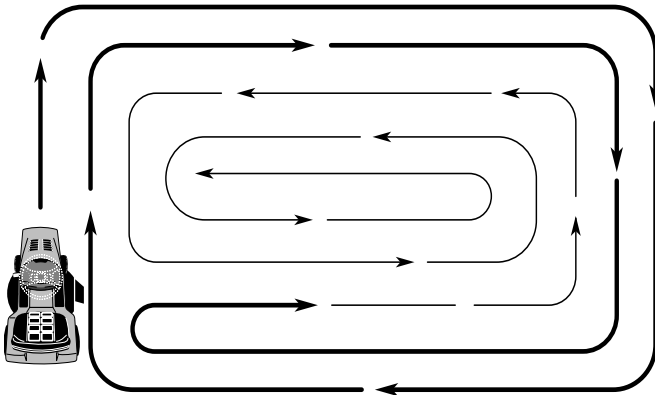


FIG. 9

MAINTENANCE

MAINTENANCE SCHEDULE		BEFORE EACH USE	EVERY 8 HOURS	EVERY 25 HOURS	EVERY 50 HOURS	EVERY 100 HOURS	EVERY SEASON	BEFORE STORAGE
TRACTOR	Check Brake Operation	✓	✓					
	Check Tire Pressure	✓	✓					
	Check Operator Presence & ROS Systems	✓						
	Check for Loose Fasteners	✓				✓		✓
	Check/Replace Mower Blades			✓ ₃				
	Lubrication Chart			✓				✓
	Check Battery Level			✓ ₄				
	Clean Battery and Terminals			✓				✓
	Check Transaxle Cooling			✓				
	Check Mower Levelness				✓			
	Check V-Belts					✓		
	ENGINE	Check Engine Oil Level	✓	✓				
Change Engine Oil (with oil filter)					✓ _{1,2}			✓
Change Engine Oil (without oil filter)				✓ _{1,2}				✓
Clean Air Filter				✓ ₂				
Clean Air Screen				✓ ₂				
Inspect Muffler/Spark Arrester					✓			
Replace Oil Filter (If equipped)						✓ _{1,2}		
Clean Engine Cooling Fins						✓ ₂		
Replace Spark Plug						✓	✓	
Replace Air Filter Paper Cartridge						✓ ₂		
Replace Fuel Filter							✓	

maint. sch-tractor ROS e

- 1 - Change more often when operating under a heavy load or in high ambient temperatures.
 2 - Service more often when operating in dirty or dusty conditions.

- 3 - Replace blades more often when mowing in sandy soil.
 4 - Not required if equipped with maintenance-free battery.

GENERAL RECOMMENDATIONS

The warranty on this tractor does not cover items that have been subjected to operator abuse or negligence. To receive full value from the warranty, operator must maintain tractor as instructed in this manual.

Some adjustments will need to be made periodically to properly maintain your tractor.

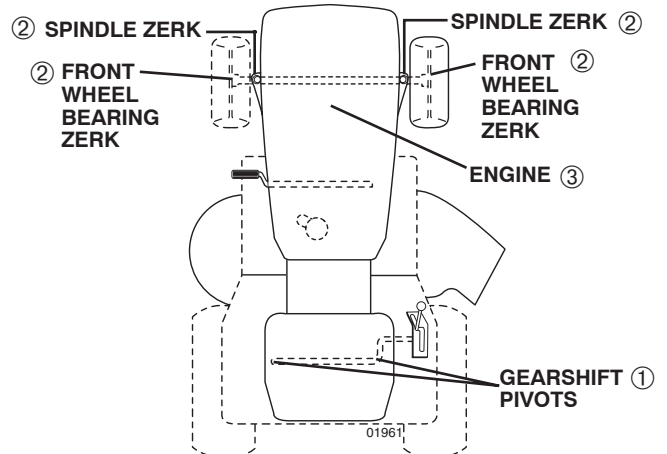
At least once a season, check to see if you should make any of the adjustments described in the Service and Adjustments section of this manual.

- At least once a year you should replace the spark plug, clean or replace air filter, and check blades and belts for wear. A new spark plug and clean air filter assure proper air-fuel mixture and help your engine run better and last longer.

BEFORE EACH USE

- Check engine oil level.
- Check brake operation.
- Check tire pressure.
- Check operator presence and ROS systems for proper operation.
- Check for loose fasteners.

LUBRICATION CHART



- ① SAE 30 or 10w30 motor oil
 ② General Purpose Grease
 ③ Refer to Maintenance "ENGINE" Section

IMPORTANT: DO NOT OIL OR GREASE THE PIVOT POINTS WHICH HAVE SPECIAL NYLON BEARINGS. VISCOUS LUBRICANTS WILL ATTRACT DUST AND DIRT THAT WILL SHORTEN THE LIFE OF THE SELF-LUBRICATING BEARINGS. IF YOU FEEL THEY MUST BE LUBRICATED, USE ONLY A DRY, POWDERED GRAPHITE TYPE LUBRICANT SPARINGLY.

MAINTENANCE

TRACTOR

Always observe safety rules when performing any maintenance.

BRAKE OPERATION

If tractor requires more than five (5) feet to stop at highest speed in highest gear on a level, dry concrete or paved surface, then brake must be checked and adjusted. (See "TO CHECK BRAKE" in the Service and Adjustments section of this manual).

TIRES

- Maintain proper air pressure in all tires (See the side of the tire for proper PSI).
- Keep tires free of gasoline, oil, or insect control chemicals which can harm rubber.
- Avoid stumps, stones, deep ruts, sharp objects and other hazards that may cause tire damage.

NOTE: To seal tire punctures and prevent flat tires due to slow leaks, tire sealant may be purchased from your local parts dealer. Tire sealant also prevents tire dry rot and corrosion.

OPERATOR PRESENCE SYSTEM AND REVERSE OPERATION SYSTEM (ROS)

Be sure operator presence and reverse operation systems are working properly. If your tractor does not function as described, repair the problem immediately.

- The engine should not start unless the brake pedal is fully depressed, and the attachment clutch control is in the disengaged position.

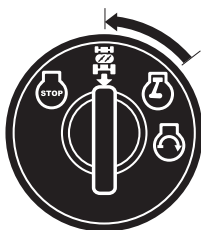
CHECK OPERATOR PRESENCE SYSTEM

- When the engine is running, any attempt by the operator to leave the seat without first setting the parking brake should shut off the engine.
- When the engine is running and the attachment clutch is engaged, any attempt by the operator to leave the seat should shut off the engine.
- The attachment clutch should never operate unless the operator is in the seat.

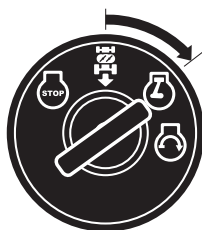
CHECK REVERSE OPERATION (ROS) SYSTEM

- When the engine is running with the ignition switch in the engine "ON" position and the attachment clutch engaged, any attempt by the operator to shift into reverse should shut off the engine.
- When the engine is running with the ignition switch in the ROS "ON" position and the attachment clutch engaged, any attempt by the operator to shift into reverse should NOT shut off the engine.

ROS "ON" POSITION



ENGINE "ON" POSITION (NORMAL OPERATING)



BLADE CARE

For best results mower blades must be kept sharp. Replace bent or damaged blades.



CAUTION: Use only a replacement blade approved by the manufacturer of your tractor. Using a blade not approved by the manufacturer of your tractor is hazardous, could damage your tractor and void your warranty.

BLADE REMOVAL (See Fig. 10)

- Raise mower to highest position to allow access to blades.

NOTE: Protect your hands with gloves and/or wrap blade with heavy cloth.

- Remove blade bolt by turning counterclockwise.
- Install new or resharpened blade with stamped "THIS SIDE UP" facing deck and mandrel assembly.

IMPORTANT: TO ENSURE PROPER ASSEMBLY, CENTER HOLE IN BLADE MUST ALIGN WITH STAR ON MANDREL ASSEMBLY.

- Install and tighten blade bolt securely (45-55 Ft. Lbs. torque).

IMPORTANT: SPECIAL BLADE BOLT HEAT TREATED.

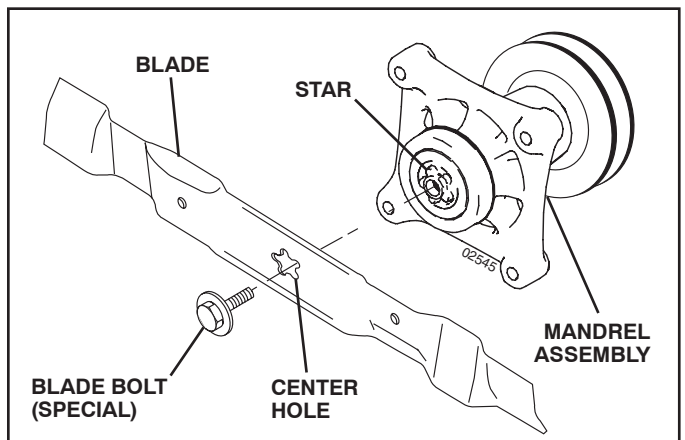


FIG. 10

TO SHARPEN BLADE (See Fig. 11)

NOTE: We do not recommend sharpening blade - but if you do, be sure the blade is balanced.

Care should be taken to keep the blade balanced. An unbalanced blade will cause excessive vibration and eventual damage to mower and engine.

- The blade can be sharpened with a file or on a grinding wheel. Do not attempt to sharpen while on the mower.
- To check blade balance, you will need a 5/8" diameter steel bolt, pin, or a cone balancer. (When using a cone balancer, follow the instructions supplied with balancer.)

NOTE: Do not use a nail for balancing blade. The lobes of the center hole may appear to be centered, but are not.

MAINTENANCE

- Slide blade on to an unthreaded portion of the steel bolt or pin and hold the bolt or pin parallel with the ground. If blade is balanced, it should remain in a horizontal position. If either end of the blade moves downward, sharpen the heavy end until the blade is balanced.

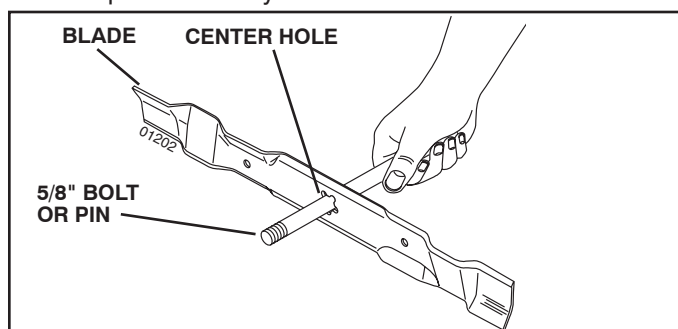


FIG. 11

BATTERY

Your tractor has a battery charging system which is sufficient for normal use. However, periodic charging of the battery with an automotive charger will extend its life.

- Keep battery and terminals clean.
- Keep battery bolts tight.
- Keep small vent holes open.
- Recharge at 6-10 amperes for 1 hour.

NOTE: The original equipment battery on your tractor is maintenance free. Do not attempt to open or remove caps or covers. Adding or checking level of electrolyte is not necessary.

TO CLEAN BATTERY AND TERMINALS

Corrosion and dirt on the battery and terminals can cause the battery to "leak" power.

- Disconnect BLACK battery cable first then RED battery cable and remove battery from tractor.
- Rinse the battery with plain water and dry.
- Clean terminals and battery cable ends with wire brush until bright.
- Coat terminals with grease or petroleum jelly.
- Reinstall battery (See "REPLACING BATTERY" in the SERVICE AND ADJUSTMENTS section of this manual).

V-BELTS

Check V-belts for deterioration and wear after 100 hours of operation and replace if necessary. The belts are not adjustable. Replace belts if they begin to slip from wear.

TRANSAXLE COOLING

The transmission fan and cooling fins should be kept clean to assure proper cooling.

Do not attempt to clean fan or transmission while engine is running or while the transmission is hot. To prevent possible damage to seals, do not use high pressure water or steam to clean transaxle.

- Inspect cooling fan to be sure fan blades are intact and clean.
- Inspect cooling fins for dirt, grass clippings and other materials. To prevent damage to seals, do not use compressed air or high pressure sprayer to clean cooling fins.

TRANSAXLE PUMP FLUID

The transaxle was sealed at the factory and fluid maintenance is not required for the life of the transaxle. Should the transaxle ever leak or require servicing, contact your nearest authorized service center/department.

ENGINE

LUBRICATION

Only use high quality detergent oil rated with API service classification SG-SL. Select the oil's SAE viscosity grade according to your expected operating temperature.

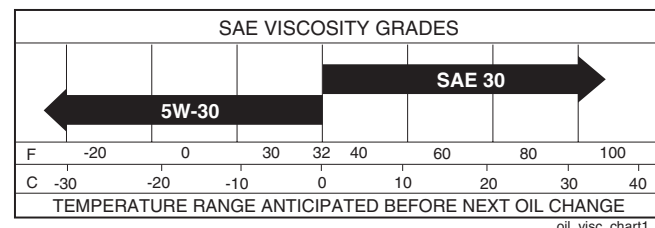


FIG. 12

NOTE: Although multi-viscosity oils (5W30, 10W30 etc.) improve starting in cold weather, these multi-viscosity oils will result in increased oil consumption when used above 32°F. Check your engine oil level more frequently to avoid possible engine damage from running low on oil.

Change the oil after every 25 hours of operation or at least once a year if the tractor is not used for 25 hours in one year.

Check the crankcase oil level before starting the engine and after each eight (8) hours of operation. Tighten oil fill cap/dipstick securely each time you check the oil level.

TO CHANGE ENGINE OIL (See Figs. 12 and 13)

Determine temperature range expected before oil change. All oil must meet API service classification SG-SL.

- Be sure tractor is on level surface.
- Oil will drain more freely when warm.
- Catch oil in a suitable container.
- Remove oil fill cap/dipstick. Be careful not to allow dirt to enter the engine when changing oil.
- Remove yellow cap from end of drain valve and install the drain tube onto the fitting.

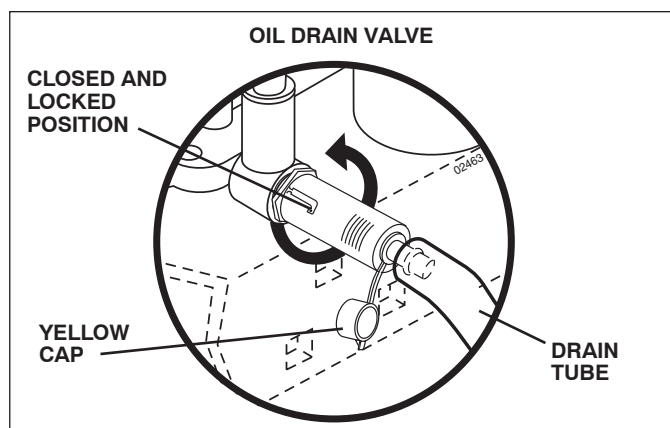


FIG. 13

MAINTENANCE

- Unlock drain valve by pushing inward and turning counterclockwise.
- To open, pull out on the drain valve.
- After oil has drained completely, close and lock the drain valve by pushing inward and turning clockwise until the pin is in the locked position as shown.
- Remove the drain tube and replace the cap onto to the bottom fitting of the drain valve.
- Refill engine with oil through oil fill dipstick tube. Pour slowly. Do not overfill. For approximate capacity see "PRODUCT SPECIFICATIONS" section of this manual.
- Use gauge on oil fill cap/dipstick for checking level. For accurate reading, insert dipstick into the tube and push down firmly into place before removing. Keep oil up to, but not over, the "FULL" line on dipstick. Push dipstick down firmly into the tube when finished.

CLEAN AIR SCREEN

Air screen must be kept free of dirt and chaff to prevent engine damage from overheating. Clean with a wire brush or compressed air to remove dirt and stubborn dried gum fibers.

AIR FILTER

Your engine will not run properly using a dirty air filter. Service air cleaner more often under dusty conditions. See Engine Manual.

MUFFLER

Inspect and replace corroded muffler and spark arrester (if equipped) as it could create a fire hazard and/or damage.

SPARK PLUGS

Replace spark plugs at the beginning of each mowing season or after every 100 hours of operation, whichever occurs first. Spark plug type and gap setting are shown in "PRODUCT SPECIFICATIONS" section of this manual.

IN-LINE FUEL FILTER (See Fig. 14)

The fuel filter should be replaced once each season. If fuel filter becomes clogged, obstructing fuel flow to carburetor, replacement is required.

- With engine cool, remove filter and plug fuel line sections.
- Place new fuel filter in position in fuel line with arrow pointing towards carburetor.
- Be sure there are no fuel line leaks and clamps are properly positioned.
- Immediately wipe up any spilled gasoline.

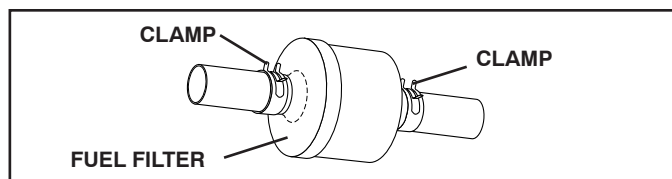


FIG. 14

CLEANING

- Clean engine, battery, seat, finish, etc. of all foreign matter.
- Keep finished surfaces and wheels free of all gasoline, oil, etc.
- Protect painted surfaces with automotive type wax.

We do not recommend using a garden hose or pressure washer to clean your tractor unless the engine and transmission are covered to keep water out. Water in engine or transmission will shorten the useful life of your tractor. Use compressed air or a leaf blower to remove grass, leaves and trash from tractor and mower.

SERVICE AND ADJUSTMENTS



WARNING: TO AVOID SERIOUS INJURY, BEFORE PERFORMING ANY SERVICE OR ADJUSTMENTS:

- Depress clutch/brake pedal fully and set parking brake.
- Place gearshift lever in neutral (N) position.
- Place attachment clutch in “DISENGAGED” position.
- Turn ignition key to “STOP” and remove key.
- Make sure the blades and all moving parts have completely stopped.
- Disconnect spark plug wire from spark plug and place wire where it cannot come in contact with plug.

TRACTOR

TO REMOVE MOWER (See Fig. 15)

Mower will be easier to remove from the right side of tractor.

- Place attachment clutch in “DISENGAGED” position.
- Move attachment lift lever forward to lower mower to its lowest position.
- Roll belt off engine pulley.
- Remove small retainer spring, and remove clutch spring off pulley bolt.
- Remove large retainer spring, slide collar off and push housing guide out of bracket.
- Disconnect anti-swaybar from chassis bracket by removing retainer spring.
- Disconnect suspension arms from rear deck brackets by removing retainer springs.
- Disconnect front links from deck by removing retainer springs.
- Raise lift lever to raise suspension arms. Slide mower out from under tractor.

IMPORTANT: IF AN ATTACHMENT OTHER THAN THE MOWER DECK IS TO BE MOUNTED ON THE TRACTOR, REMOVE THE FRONT LINKS AND HOOK THE CLUTCH SPRING INTO SQUARE HOLE IN FRAME.

TO INSTALL MOWER (See Fig. 15)

- Raise attachment lift lever to its highest position.
- Slide mower under tractor with deflector shield to right side of tractor.
- Lower lift lever to its lowest position.
- Connect front links to mower deck and secure with retainer springs..
- Connect suspension arms to rear deck brackets and secure with retainer springs.
- Connect anti-swaybar to chassis bracket and secure with retainer spring.
- Push clutch cable housing guide into bracket, slide collar onto guide and secure with large retainer spring.
- Place flat washer and clutch spring on idler pulley bolt and secure with small retainer spring.
- Install belt onto engine pulley.

TO LEVEL MOWER HOUSING

Adjust the mower while tractor is parked on level ground or driveway. Make sure tires are properly inflated (See “PRODUCT SPECIFICATIONS” section of this manual). If tires are over or underinflated, you will not properly adjust your mower.

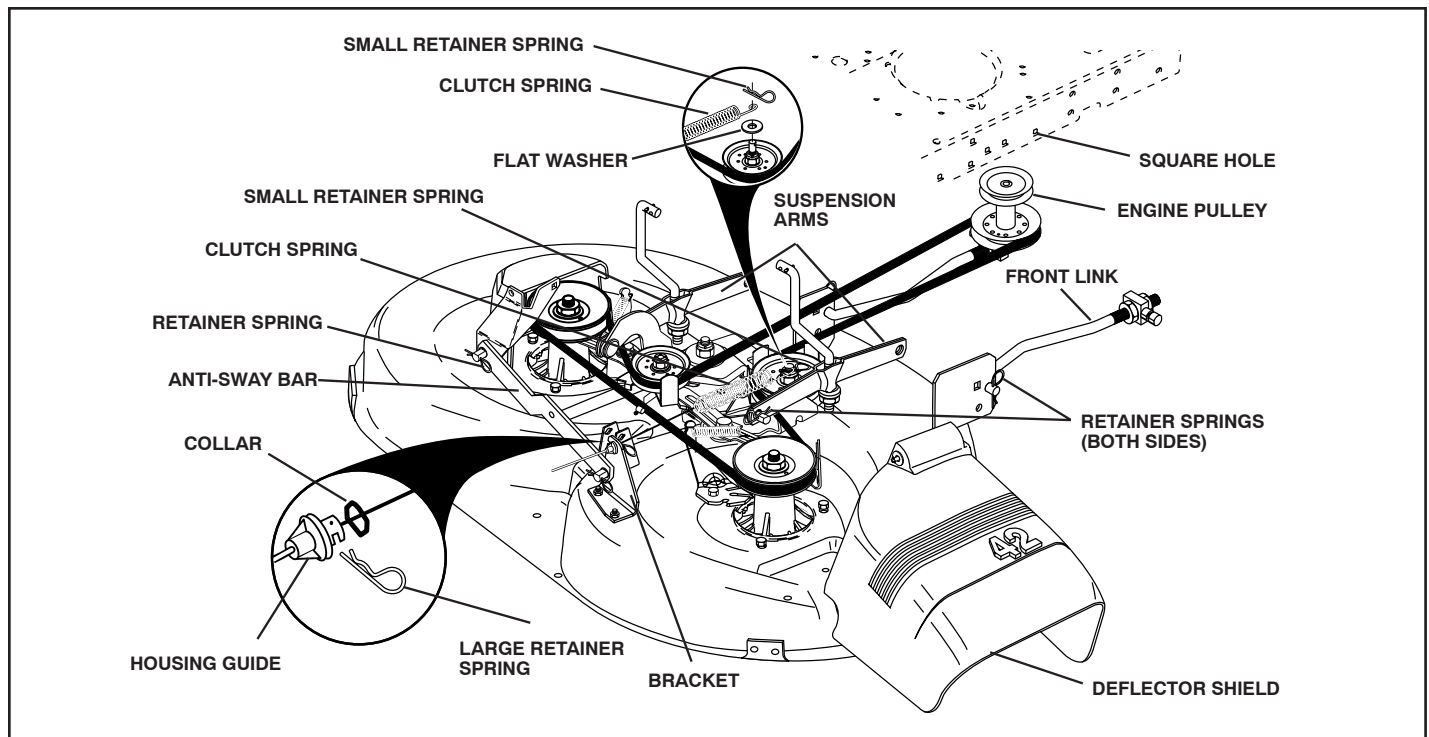


FIG. 15

SERVICE AND ADJUSTMENTS

TO LEVEL MOWER HOUSING

Adjust the mower while tractor is parked on level ground or driveway. Make sure tires are properly inflated (See "PRODUCT SPECIFICATIONS" section of this manual). If tires are over or underinflated, you will not properly adjust your mower.

SIDE-TO-SIDE ADJUSTMENT (See Figs. 16 and 17)

- Raise mower to its highest position.
- At the midpoint of both sides of mower, measure height from bottom edge of mower to ground. Distance "A" on both sides of mower should be the same or within 1/4" of each other.
- If adjustment is necessary, make adjustment on one side of mower only.
- To raise one side of mower, tighten lift link adjustment nut on that side.
- To lower one side of mower, loosen lift link adjustment nut on that side.

NOTE: Each full turn of adjustment nut will change mower height about 1/8".

- Recheck measurements after adjusting.

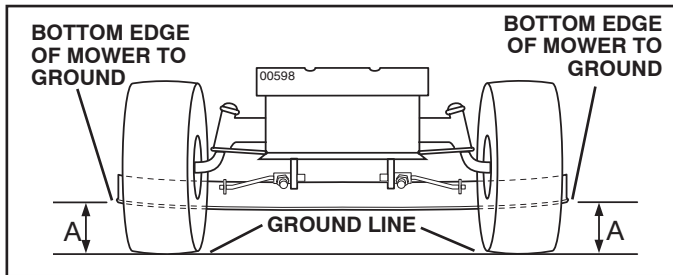


FIG. 16

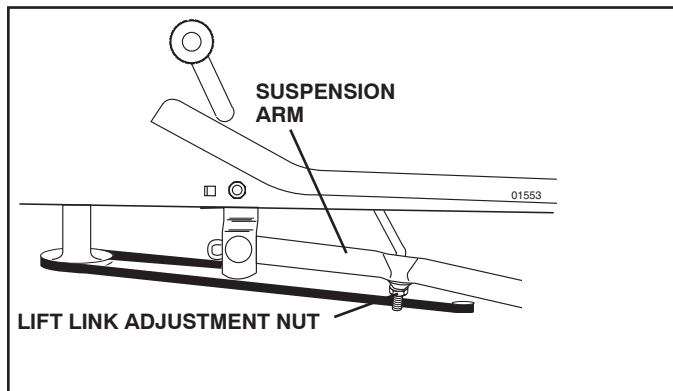


FIG. 17

FRONT-TO-BACK ADJUSTMENT (See Figs. 18 and 19)

IMPORTANT: DECK MUST BE LEVEL SIDE-TO-SIDE. IF THE FOLLOWING FRONT-TO-BACK ADJUSTMENT IS NECESSARY, BE SURE TO ADJUST BOTH FRONT LINKS EQUALLY SO MOWER WILL STAY LEVEL SIDE-TO-SIDE.

To obtain the best cutting results, the mower housing should be adjusted so that the front is approximately 1/8" to 1/2" lower than the rear when the mower is in its highest position.

Check adjustment on right side of tractor. Measure distance "D" directly in front and behind the mandrel at bottom edge of mower housing as shown.

- Before making any necessary adjustments, check that both front links are equal in length.
- If links are not equal in length, adjust one link to same length as other link.
- To lower front of mower loosen nut "E" on both front links an equal number of turns.
- When distance "D" is 1/8" to 1/2" lower at front than rear, tighten nuts "F" against trunnion on both front links.
- To raise front of mower, loosen nut "F" from trunnion on both front links. Tighten nut "E" on both front links an equal number of turns. The two front links must remain equal in length.
- When distance "D" is 1/8" to 1/2" lower at front than rear, tighten nut "F" against trunnion on both front links.
- Recheck side-to-side adjustment.

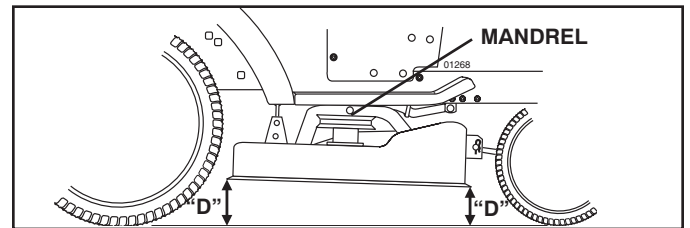


FIG. 18

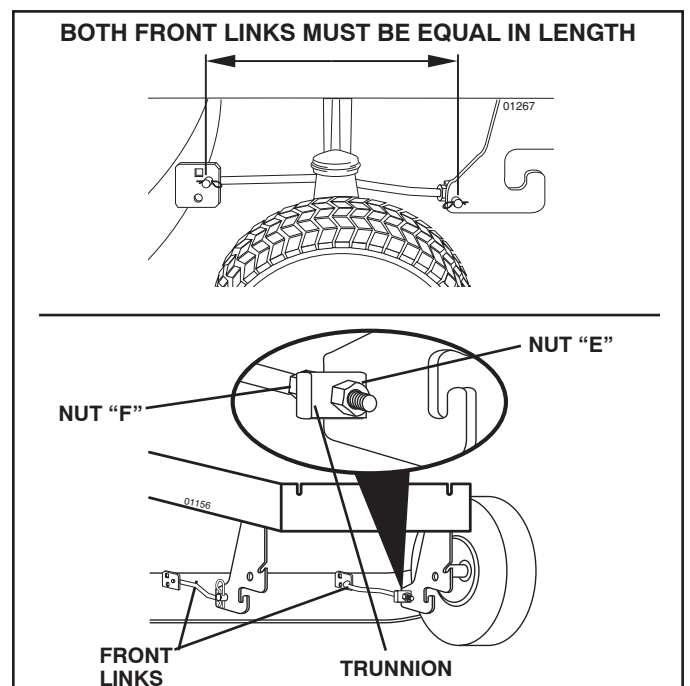


FIG. 19

SERVICE AND ADJUSTMENTS

TO CHECK BRAKE

If tractor requires more than five (5) feet to stop at highest speed in highest gear on a level, dry concrete or paved surface, then brake must be serviced.

You may also check brake by:

1. Park tractor on a level, dry concrete or paved surface, depress clutch/brake pedal all the way down and engage parking brake.
2. Place gear shift lever in neutral (N) position.

The rear wheels must lock and skid when you try to manually push the tractor forward. If the rear wheels rotate, then the brake needs to be serviced. Contact a qualified service center.

TO REPLACE MOWER BLADE DRIVE BELT (See Fig. 20)

The mower blade drive belt may be replaced without tools. Park the tractor on level surface. Engage parking brake.

BELT REMOVAL -

- Remove mower from tractor (See "TO REMOVE MOWER" in this section of this manual).
- Work belt off both mandrel pulleys and idler pulleys.
- Pull belt away from mower.

BELT INSTALLATION -

- Install new belt in reverse order of removal.
- Make sure belt is in all pulley grooves and inside all belt guides.
- Install mower in reverse order of removal instructions.

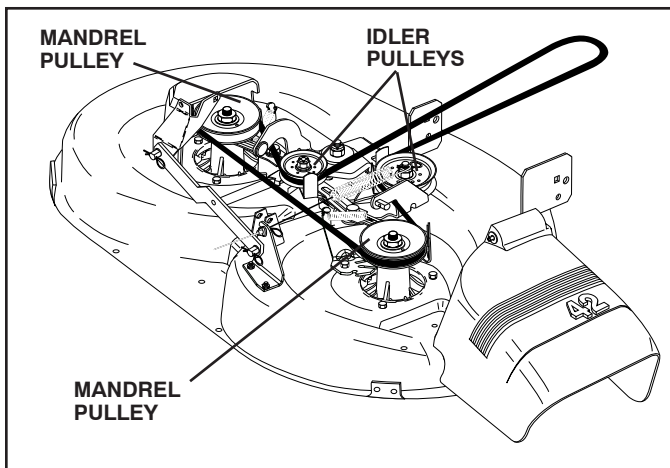


FIG. 20

TO REPLACE MOTION DRIVE BELT (See Fig. 22)

Park the tractor on level surface. Engage parking brake. For assistance, there is a belt installation guide decal on bottom side of left footrest.

BELT REMOVAL -

- Remove mower (See "TO REMOVE MOWER" in this section of manual).

NOTE: Observe entire motion drive belt and position of all belt guides and keepers.

- Remove belt from stationary idler and clutching idler.
- Remove belt downward from around engine pulley.
- Pull belt slack toward rear of tractor. Carefully remove belt upwards from transmission input pulley and over cooling fan blades.
- Remove belt from center span keeper and pull belt away from tractor.

BELT INSTALLATION -

- Carefully work new belt down around transmission cooling fan and onto the input pulley.
- Slide belt into the center span keeper.
- Pull belt toward front of tractor and roll around the top groove of engine pulley.
- Install belt through stationary idler and clutching idler.
- Make sure belt is in all pulley grooves and inside all belt guides and keepers.
- Install mower (See "TO INSTALL MOWER" in this section of manual).

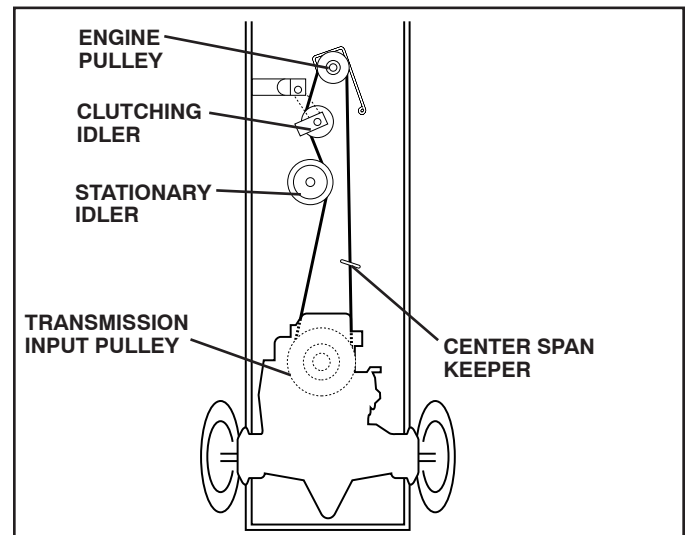


FIG. 22

SERVICE AND ADJUSTMENTS

TRANSAXLE GEAR SHIFT LEVER NEUTRAL-ADJUSTMENT (See Fig. 23)

The transaxle should be in neutral when the gear shift lever is in neutral (N) (lock gate) position. The adjustment is preset at the factory; however, if adjustment is needed, proceed as follows:

- Make sure transaxle is in neutral (N).

NOTE: When the tractor rear wheels move freely, the transaxle is in neutral.

- Loosen adjustment bolt in front of the right rear wheel.
- Position the gear shift lever in the neutral (N) position.
- Tighten adjustment bolt securely.

NOTE: If additional clearance is needed to get to adjustment bolt, move mower deck height to the lowest position.

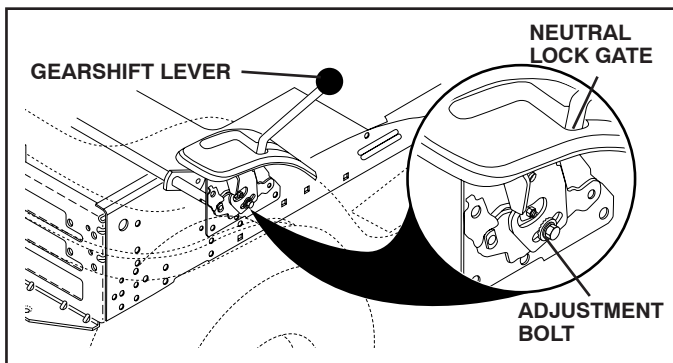


FIG. 23

TO ADJUST STEERING WHEEL ALIGNMENT

If steering wheel crossbars are not horizontal (left to right) when wheels are positioned straight forward, remove steering wheel and reassemble per instructions in the Assembly section of this manual.

FRONT WHEEL TOE-IN/CAMBER

The front wheel toe-in and camber are not adjustable on your tractor. If damage has occurred to affect the front wheel toe-in or camber, contact your nearest authorized service center/department.

TO REMOVE WHEEL FOR REPAIRS (See Fig. 24)

- Block up axle securely.
- Remove axle cover, retaining ring and washers to allow wheel removal (rear wheel contains a square key - Do not lose).
- Repair tire and reassemble.
- On rear wheels only: align grooves in rear wheel hub and axle. Insert square key.
- Replace washers and snap retaining ring securely in axle groove.
- Replace axle cover.

NOTE: To seal tire punctures and prevent flat tires due to slow leaks, tire sealant may be purchased from your local parts dealer. Tire sealant also prevents tire dry rot and corrosion.

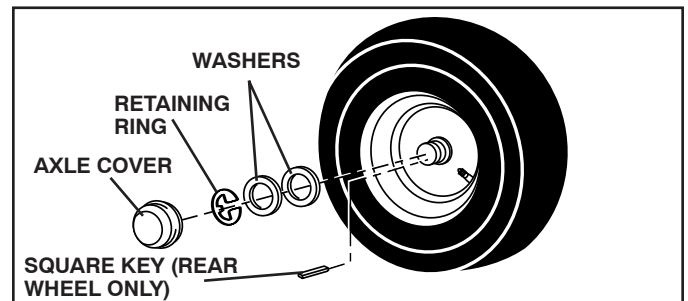


FIG. 24

TO START ENGINE WITH A WEAK BATTERY (See Fig. 25)



WARNING: Lead-acid batteries generate explosive gases. Keep sparks, flame and smoking materials away from batteries. Always wear eye protection when around batteries.

If your battery is too weak to start the engine, it should be recharged. (See "BATTERY" in the MAINTENANCE section of this manual).

If "jumper cables" are used for emergency starting, follow this procedure:

IMPORTANT: YOUR TRACTOR IS EQUIPPED WITH A 12 VOLT SYSTEM. THE OTHER VEHICLE MUST ALSO BE A 12 VOLT SYSTEM. DO NOT USE YOUR TRACTOR BATTERY TO START OTHER VEHICLES.

TO ATTACH JUMPER CABLES -

- Connect one end of the RED cable to the POSITIVE (+) terminal of each battery(A-B), taking care not to short against tractor chassis.
- Connect one end of the BLACK cable to the NEGATIVE (-) terminal (C) of fully charged battery.
- Connect the other end of the BLACK cable (D) to good chassis ground, away from fuel tank and battery.

TO REMOVE CABLES, REVERSE ORDER -

- BLACK cable first from chassis and then from the fully charged battery.
- RED cable last from both batteries.

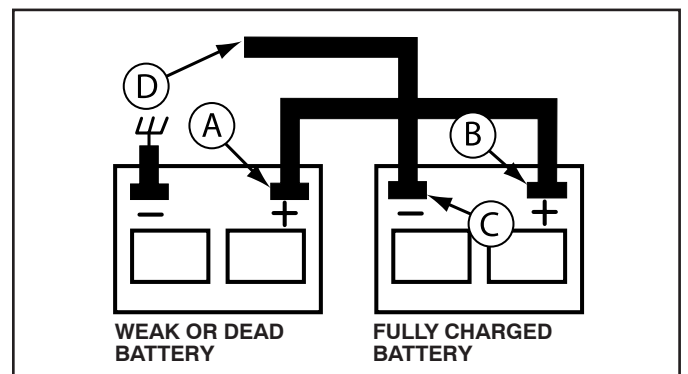


FIG. 25

SERVICE AND ADJUSTMENTS

REPLACING BATTERY (See Figs. 26 and 27)



WARNING: Do not short battery terminals by allowing a wrench or any other object to contact both terminals at the same time. Before connecting battery, remove metal bracelets, wristwatch bands, rings, etc. Positive terminal must be connected first to prevent sparking from accidental grounding.

- Lift seat pan to raised position.
- Disconnect BLACK battery cable first then RED battery cable and carefully remove battery from tractor.
- Install new battery with terminals in same position as old battery.
- First connect RED battery cable to positive (+) terminal with hex bolt and keps nut as shown. Tighten securely. Slide terminal cover over terminal.
- Connect BLACK grounding cable to negative (-) terminal with remaining hex bolt and keps nut. Tighten securely.

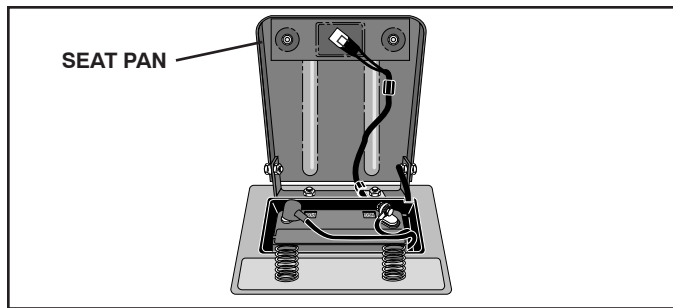


FIG. 26

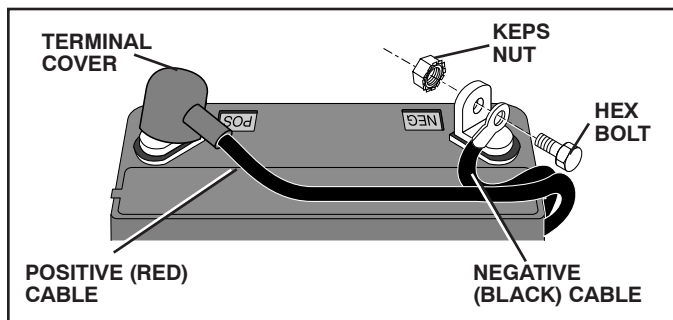


FIG. 27

TO REPLACE HEADLIGHT BULB

- Raise hood.
- Pull bulb holder out of the hole in the backside of the grill.
- Replace bulb in holder and push bulb holder securely back into the hole in the backside of the grill.
- Close hood.

INTERLOCKS AND RELAYS

Loose or damaged wiring may cause your tractor to run poorly, stop running, or prevent it from starting.

- Check wiring. See electrical wiring diagram in the Repair Parts section.

TO REPLACE FUSE

Replace with 20 amp automotive-type plug-in fuse. The fuse holder is located behind the dash.

TO REMOVE HOOD AND GRILL ASSEMBLY (See Fig. 28)

- Raise hood.
- Unsnap headlight wire connector.
- Stand in front of tractor. Grasp hood at sides, tilt toward engine and lift off of tractor.
- To replace, reverse above procedure.

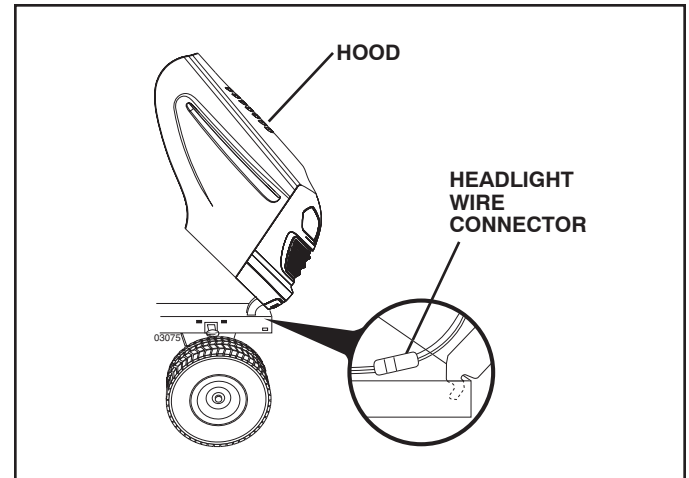


FIG. 28

ENGINE

TO ADJUST THROTTLE CONTROL CABLE

The throttle control has been preset at the factory and adjustment should not be necessary. If adjustment is necessary, see engine manual.

TO ADJUST CARBURETOR

Your carburetor is not adjustable. If your engine does not operate properly due to suspected carburetor problems, take your tractor to an authorized service center for repair and/or adjustment.

STORAGE

Immediately prepare your tractor for storage at the end of the season or if the tractor will not be used for 30 days or more.



WARNING: Never store the tractor with gasoline in the tank inside a building where fumes may reach an open flame or spark. Allow the engine to cool before storing in any enclosure.

TRACTOR

Remove mower from tractor for winter storage. When mower is to be stored for a period of time, clean it thoroughly, remove all dirt, grease, leaves, etc. Store in a clean, dry area.

- Clean entire tractor (See “CLEANING” in the Maintenance section of this manual).
- Inspect and replace belts, if necessary (See belt replacement instructions in the Service and Adjustments section of this manual).
- Lubricate as shown in the Maintenance section of this manual.
- Be sure that all nuts, bolts and screws are securely fastened. Inspect moving parts for damage, breakage and wear. Replace if necessary.
- Touch up all rusted or chipped paint surfaces; sand lightly before painting.

BATTERY

- Fully charge the battery for storage.
- After a period of time in storage, battery may require recharging.
- To help prevent corrosion and power leakage during long periods of storage, battery cables should be disconnected and battery cleaned thoroughly (see “TO CLEAN BATTERY AND TERMINALS” in the Maintenance section of this manual).
- After cleaning, leave cables disconnected and place cables where they cannot come in contact with battery terminals.
- If battery is removed from tractor for storage, do not store battery directly on concrete or damp surfaces.

ENGINE

FUEL SYSTEM

IMPORTANT: IT IS IMPORTANT TO PREVENT GUM DEPOSITS FROM FORMING IN ESSENTIAL FUEL SYSTEM PARTS SUCH AS CARBURETOR, FUEL FILTER, FUEL HOSE, OR TANK DURING STORAGE. ALSO, EXPERIENCE INDICATES THAT ALCOHOL BLENDED FUELS (CALLED GASOHOL OR USING ETHANOL OR METHANOL) CAN ATTRACT MOISTURE WHICH LEADS TO SEPARATION AND FORMATION OF ACIDS DURING STORAGE. ACIDIC GAS CAN DAMAGE THE FUEL SYSTEM OF AN ENGINE WHILE IN STORAGE.

- Empty the fuel tank by starting the engine and let it run until the fuel lines and carburetor are empty.
- Never use engine or carburetor cleaner products in the fuel tank or permanent damage may occur.
- Use fresh fuel next season.

NOTE: Fuel stabilizer is an acceptable alternative in minimizing the formation of fuel gum deposits during storage. Add stabilizer to gasoline in fuel tank or storage container. Always follow the mix ratio found on stabilizer container. Run engine at least 10 minutes after adding stabilizer to allow the stabilizer to reach the carburetor. Do not empty the gas tank and carburetor if using fuel stabilizer.

ENGINE OIL

Drain oil (with engine warm) and replace with clean engine oil. (See “ENGINE” in the Maintenance section of this manual).

CYLINDER(S)

- Remove spark plug(s).
- Pour one ounce of oil through spark plug hole(s) into cylinder(s).
- Turn ignition key to “START” position for a few seconds to distribute oil.
- Replace with new spark plug(s).

OTHER

- Do not store gasoline from one season to another.
- Replace your gasoline can if your can starts to rust. Rust and/or dirt in your gasoline will cause problems.
- If possible, store your tractor indoors and cover it to give protection from dust and dirt.
- Cover your tractor with a suitable protective cover that does not retain moisture. Do not use plastic. Plastic cannot breathe which allows condensation to form and will cause your tractor to rust.

IMPORTANT: NEVER COVER TRACTOR WHILE ENGINE AND EXHAUST AREAS ARE STILL WARM.

TROUBLESHOOTING POINTS

PROBLEM	CAUSE	CORRECTION
Will not start	<ol style="list-style-type: none"> 1. Out of fuel. 2. Engine not "CHOKED" properly. 3. Engine flooded. 4. Bad spark plug. 5. Dirty air filter. 6. Dirty fuel filter. 7. Water in fuel. 8. Loose or damaged wiring. 9. Carburetor out of adjustment. 10. Engine valves out of adjustment. 	<ol style="list-style-type: none"> 1. Fill fuel tank. 2. See "TO START ENGINE" in Operation section. 3. Wait several minutes before attempting to start. 4. Replace spark plug. 5. Clean/replace air filter. 6. Replace fuel filter. 7. Empty fuel tank and carburetor, refill tank with fresh gasoline and replace fuel filter. 8. Check all wiring. 9. See "To Adjust Carburetor" in Service Adjustments section. 10. Contact an authorized service center/department.
Hard to start	<ol style="list-style-type: none"> 1. Dirty air filter. 2. Bad spark plug. 3. Weak or dead battery. 4. Dirty fuel filter. 5. Stale or dirty fuel. 6. Loose or damaged wiring. 7. Carburetor out of adjustment. 8. Engine valves out of adjustment. 	<ol style="list-style-type: none"> 1. Clean/replace air filter. 2. Replace spark plug. 3. Recharge or replace battery. 4. Replace fuel filter. 5. Empty fuel tank and refill tank with fresh, clean gasoline. 6. Check all wiring. 7. See "To Adjust Carburetor" in Service Adjustments section. 8. Contact an authorized service center/department.
Engine will not turn over	<ol style="list-style-type: none"> 1. Brake pedal not depressed. 2. Attachment clutch is engaged. 3. Weak or dead battery. 4. Blown fuse. 5. Corroded battery terminals. 6. Loose or damaged wiring. 7. Faulty ignition switch. 8. Faulty solenoid or starter. 9. Faulty operator presence switch(es). 	<ol style="list-style-type: none"> 1. Depress brake pedal. 2. Disengage attachment clutch. 3. Recharge or replace battery. 4. Replace fuse. 5. Clean battery terminals. 6. Check all wiring. 7. Check/replace ignition switch. 8. Check/replace solenoid or starter. 9. Contact an authorized service center/department.
Engine clicks but will not start	<ol style="list-style-type: none"> 1. Weak or dead battery. 2. Corroded battery terminals. 3. Loose or damaged wiring. 4. Faulty solenoid or starter. 	<ol style="list-style-type: none"> 1. Recharge or replace battery. 2. Clean battery terminals. 3. Check all wiring. 4. Check/replace solenoid or starter.
Loss of power	<ol style="list-style-type: none"> 1. Cutting too much grass/too fast. 2. Throttle in "CHOKE" position. 3. Build-up of grass, leaves and trash under mower. 4. Dirty air filter. 5. Low oil level/dirty oil. 6. Faulty spark plug. 7. Dirty fuel filter. 8. Stale or dirty fuel. 9. Water in fuel. 10. Spark plug wire loose. 11. Dirty engine air screen/fins. 12. Dirty/clogged muffler. 13. Loose or damaged wiring. 14. Carburetor out of adjustment. 15. Engine valves out of adjustment. 	<ol style="list-style-type: none"> 1. Raise cutting height/reduce speed. 2. Adjust throttle control. 3. Clean underside of mower housing. 4. Clean/replace air filter. 5. Check oil level/change oil. 6. Clean and regap or change spark plug. 7. Replace fuel filter. 8. Empty fuel tank and refill tank with fresh, clean gasoline. 9. Empty fuel tank and carburetor, refill tank with fresh gasoline and replace fuel filter. 10. Connect and tighten spark plug wire. 11. Clean engine air screen/fins. 12. Clean/replace muffler. 13. Check all wiring. 14. See "To Adjust Carburetor" in Service Adjustments section. 15. Contact an authorized service center/department.
Excessive vibration	<ol style="list-style-type: none"> 1. Worn, bent or loose blade. 2. Bent blade mandrel. 3. Loose/damaged part(s). 	<ol style="list-style-type: none"> 1. Replace blade. Tighten blade bolt. 2. Replace blade mandrel. 3. Tighten loose part(s). Replace damaged parts.

TROUBLESHOOTING POINTS

PROBLEM	CAUSE	CORRECTION
Engine dies when tractor is shifted into reverse	<ol style="list-style-type: none"> Reverse operation system (ROS) is not "ON" while mower or other attachment is engaged. 	<ol style="list-style-type: none"> Turn ignition key to ROS "ON" position. See Operation section.
Engine continues to run when operator leaves seat with attachment clutch engaged	<ol style="list-style-type: none"> Faulty operator-safety presence control system. 	<ol style="list-style-type: none"> Check wiring, switches and connections. If not corrected, contact an authorized service center/department.
Poor cut - uneven	<ol style="list-style-type: none"> Worn, bent or loose blade. Mower deck not level. Buildup of grass, leaves, and trash under mower. Bent blade mandrel. Clogged mower deck vent holes from buildup of grass, leaves, and trash around mandrels. 	<ol style="list-style-type: none"> Replace blade. Tighten blade bolt. Level mower deck. Clean underside of mower housing. Replace blade mandrel. Clean around mandrels to open vent holes.
Mower blades will not rotate	<ol style="list-style-type: none"> Obstruction in clutch mechanism. Worn/damaged mower drive belt. Frozen idler pulley. Frozen blade mandrel. 	<ol style="list-style-type: none"> Remove obstruction. Replace mower drive belt. Replace idler pulley. Replace blade mandrel.
Poor grass discharge	<ol style="list-style-type: none"> Engine speed too slow. Travel speed too fast. Wet grass. Mower deck not level. Low/uneven tire air pressure. Worn, bent or loose blade. Buildup of grass, leaves and trash under mower. Mower drive belt worn. Blades improperly installed. Improper blades used. Clogged mower deck vent holes from buildup of grass, leaves, and trash around mandrels. 	<ol style="list-style-type: none"> Place throttle control in "FAST" position. Shift to slower speed. Allow grass to dry before mowing. Level mower deck. Check tires for proper air pressure. Replace/sharpen blade. Tighten blade bolt. Clean underside of mower housing. Replace mower drive belt. Reinstall blades sharp edge down. Replace with blades listed in this manual. Clean around mandrels to open vent holes.
Headlight(s) not working (if so equipped)	<ol style="list-style-type: none"> Light switch is "OFF". Bulb(s) or lamp(s) burned out. Faulty light switch. Loose or damaged wiring. Blown fuse. 	<ol style="list-style-type: none"> Turn light switch "ON". Replace bulb(s) or lamp(s). Check/replace light switch. Check wiring and connections. Replace fuse.
Battery will not charge	<ol style="list-style-type: none"> Bad battery cell(s). Poor cable connections. Faulty regulator (if so equipped). Faulty alternator. 	<ol style="list-style-type: none"> Replace battery. Check/clean all connections. Replace regulator. Replace alternator.
Loss of drive	<ol style="list-style-type: none"> Freewheel control in "disengaged" position. Motion drive belt worn, damaged, or broken. Air trapped in transmission during shipment or servicing. 	<ol style="list-style-type: none"> Place freewheel control in "engaged" position. Replace motion drive belt. Purge transmission.
Engine "backfires" when turning engine "OFF"	<ol style="list-style-type: none"> Engine throttle control not set between half and full speed (fast) position before stopping engine. 	<ol style="list-style-type: none"> Move throttle control between half and full speed (fast) position before stopping engine.

LIMITED WARRANTY

The Manufacturer warrants to the original consumer purchaser that this product as manufactured is free from defects in materials and workmanship. For a period of two (2) years from date of purchase by the original consumer purchaser, we will repair or replace, at our option, without charge for parts or labor incurred in replacing parts, any part which we find to be defective due to materials or workmanship. This Warranty is subject to the following limitations and exclusions.

1. This warranty does not apply to the engine, transaxle/transmission components, battery (except as noted below) or components parts thereof. Please refer to the applicable manufacturer's warranty on these items.
2. Transportation charges for the movement of any power equipment unit or attachment are the responsibility of the purchaser. Transportation charges for any parts submitted for replacement under this warranty must be paid by the purchaser unless such return is requested by the manufacturer.
3. Battery Warranty: On products equipped with a Battery, we will replace, without charge to you, any battery which we find to be defective in manufacture, during the first ninety (90) days of ownership. After ninety (90) days, we will exchange the Battery, charging you 1/12 of the price of a new Battery for each full month from the date of the original sale. Battery must be maintained in accordance with the instructions furnished.
4. The Warranty period for any products used for rental or commercial purposes is limited to 90 days from the date of original purchase.
5. This Warranty applies only to products which have been properly assembled, adjusted, operated, and maintained in accordance with the instructions furnished. This Warranty does not apply to any product which has been subjected to alteration, misuse, abuse, improper assembly or installation, delivery damage, or to normal wear of the product.
6. Exclusions: Excluded from this Warranty are belts, blades, blade adapters, normal wear, normal adjustments, standard hardware and normal maintenance.
7. In the event you have a claim under this Warranty, you must return the product to an authorized service dealer.

Should you have any unanswered questions concerning this Warranty, please contact:

HOP
Outdoor Products Customer Service Dept.
1030 Stevens Creek Road
Augusta, GA 30907 USA

In Canada contact:
HOP
5855 Terry Fox Way
Mississauga, Ontario
L5V 3E4

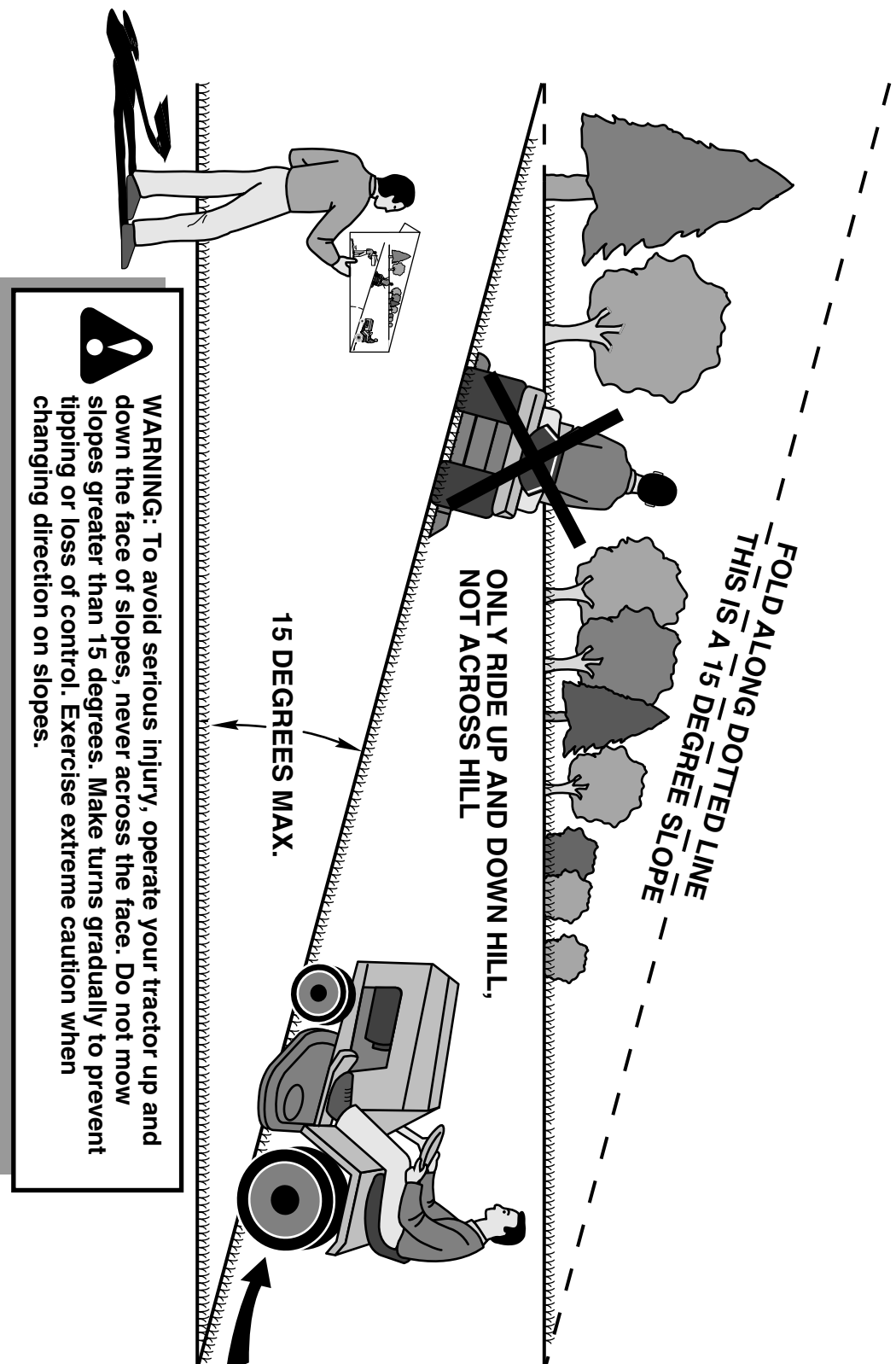
giving the model number, serial number and date of purchase of your product and the name and address of the authorized dealer from whom it was purchased.

THIS WARRANTY DOES NOT APPLY TO INCIDENTAL OR CONSEQUENTIAL DAMAGES AND ANY IMPLIED WARRANTIES ARE LIMITED TO THE SAME TIME PERIODS STATED HEREIN FOR OUR EXPRESSED WARRANTIES. Some areas do not allow the limitation of consequential damages or limitations of how long an implied Warranty may last, so the above limitations or exclusions may not apply to you. This Warranty gives you specific legal rights, and you may have other rights which vary from locale to locale.

This is a limited Warranty within the meaning of that term as defined in the Magnuson-Moss Act of 1975.

SERVICE NOTES

SUGGESTED GUIDE FOR SIGHTING SLOPES FOR SAFE OPERATION



Poulan PRO

PARTS AND SERVICE

This product has been expertly engineered and carefully manufactured to rigid quality standards. As with all mechanical products, some adjustments or part replacement may be necessary during the life of your unit.

For Parts and service, contact our authorized distributor: call 1-800-849-1297

- For replacement parts, have available the following information:
 - a. Model Number/Manufacturer's I.D. Number
 - b. Description of part.

For Technical Assistance: call 1-800-829-5886

For a Parts Manual, go to our website: www.poulan.com/support.asp

NOTE: HOP provides parts and service through its authorized distributors and dealers; therefore, all requests for parts and service should be directed to your local dealer(s). The philosophy of HOP is to continually improve all of its products. If the operating characteristics or the appearance of your product differs from those described in this Manual, please contact your local dealer for updated information and assistance.

Poulan PRO

L'ENTRETIEN ET LES PIÈCES DE RECHANGE

Ce produit, conçu avec les soins les plus attentifs, est fabriqué en accord avec des standards stricts. Comme pour tous les produits avec des parties mobiles, il peut être nécessaire pendant la durabilité de votre machine d'effectuer des ajustements ou le remplacement de certaines pièces .

Pour les pièces de rechange et l'entretien, contactez notre concessionnaire autorisé: appelez 1-800-849-1297

• Pour les pièces de rechange, ayez près de vous:

A. Numéro du modèle/Référence numéro du fabricant

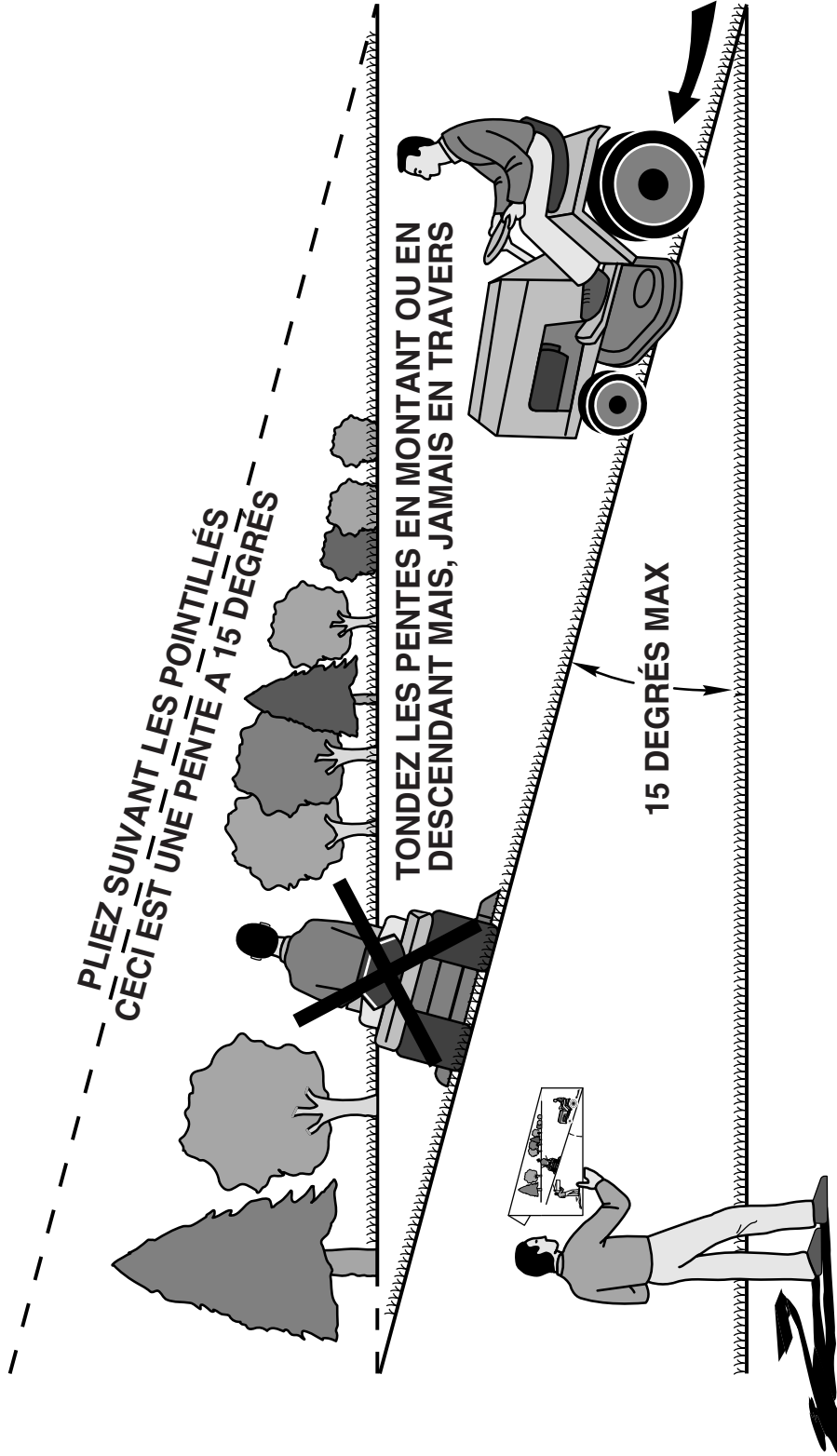
B. Description de la pièce

Pour l'assistance technique: appelez 1-800-829-5886

Pour un manuel de pièces, allez à notre site web: www.poulan.com/support.asp

N.B.: HOP assure la distribution des pièces de rechange et l'entretien de ses produits par l'intermédiaire des concessionnaires et des distributeurs agréés; par conséquent toute demande de pièces ou d'entretien doit être adressée directement au distributeur agréé le plus proche. La philosophie de HOP est d'améliorer en permanence la gamme complète de ses produits. Si les caractéristiques ou l'apparence de votre outil sont différentes de celles décrites dans ce Manuel, contactez S.V.P. votre concessionnaire pour les informations et l'assistance concernant les mises à jour.

GUIDE SUGGÈRE POUR L'ÉVALUATION DES PENTES AFIN D'AMÉLIORER LA SÉCURITÉ D'UTILISATION



AVERTISSEMENT: Pour éviter de vous blesser gravement, utilisez votre tracteur parallèlement à la pente, jamais transversalement. N'affrontez pas de pentes de plus de 15 degrés. Effectuez les virages graduellement afin d'éviter le renversement ou la perte de contrôle. Soyez extrêmement prudent quand vous changez de directions sur les pentes.

1. Pliez cette page suivant les pointillées, comme précédemment.
2. Tenez cette page devant vous, avec le côté gauche parallèle à un tronc d'arbre ou à tout autre structure verticale.
3. Regardez à travers la pliure dans la direction de la pente que vous entendez mesurer.
4. Comparez l'angle de la pliure avec la pente de la colline.

GARANTIE LIMITÉE

Le Fabricant garantit à l'acheteur initial que son produit tel que manufacturé est libre de défaut de matière et d'ouvrage. Pendant deux (2) ans, à compter de la date d'achat de la part de l'acheteur initial, nous réparerons ou remplacerons à notre choix, gratuitement, toute pièce, sur laquelle nous estimerons qu'il existe un défaut de matière ou d'ouvrage. Cette garantie est soumise aux limitations et exceptions suivantes:

1. Cette garantie ne couvre pas le moteur, la transmission/composants, la batterie (sauf comme mentionnée ci-dessous) ou les pièces détachées. Veuillez-vous consulter la garantie applicable du fabricant des articles.
2. L'acheteur est responsable des frais de transport de tous les équipements actionnés par moteur ou les accessoires. L'acheteur est responsable des frais aussi du transport de toutes les pièces (couvertes par cette garantie) soumis pour le remplacement à moins que manufacturé demande à l'acheteur de renvoyer les pièces.
3. Garantie de la batterie: Pour les produits équipés d'une batterie, nous remplacerons, gratuitement, toute batterie estimée défectueuse pendant les quatre-vingt-dix (90) jours initiaux suivant l'achat. Après quatre-vingt-dix (90) jours, nous échangeons la batterie, le coût pour vous être 1/12 du prix d'une nouvelle batterie pour chaque mois complet à compter de la date d'achat initiale. La batterie doit être entretenue selon les directives données dans la documentation appropriée.
4. La période de garantie applicable aux produits proposés en location ou à des fins commerciales est limitée à quatre-vingt-dix (90) jours à compter de la date d'achat initiale.
5. Cette garantie ne s'applique qu'aux produits correctement montés, réglés, utilisés et entretenus conformément aux instructions données dans la documentation appropriée. Cette garantie ne s'applique pas aux produits qui ont été modifiés, utilisés incorrectement, abusés, mal installés ou avariés lors de la livraison ou usage normal.
6. Exclusions: Les courroies, les lames, les adaptateurs de lame, l'usage normal, les réglages normaux, la visserie standard, et l'entretien normal sont exclus de cette garantie.
7. En cas de problème entrant dans le cadre de cette garantie, veuillez-vous retourner votre machine à un concessionnaire autorisé.

Si vous auriez aucune question sans réponse concernant cette garantie, s'il vous plaît contactez:

HOP
Outdoor Products Customer Service Dept.
1030 Stevens Creek Road
Augusta, GA 30907 USA

Au Canada:
HOP
5855 Terry Fox Way
Mississauga, Ontario
L5V 3E4

en nous donnant le numéro du modèle, le numéro de série, la date d'achat de votre machine ainsi que l'adresse du concessionnaire autorisé chez qui vous l'avez achetée.

CETTE GARANTIE NE COUVRE AUCUN DOMMAGE INCIDENTEL OU CONSÉQUENT ET TOUTE GARANTIE IMPLICITE EST LIMITEE AUX MEMES PERIODES PRECISEES ICI POUR LES GARANTIES EXPLICITES DU FABRICANT. Certaines localités ne permettent aucune restriction des dommages consécutifs ou de la durée d'une garantie implicite et, par conséquent, il se pourrait que les restrictions et exclusions énoncées ci-dessus ne s'appliquent pas à vous. Cette garantie vous donne droits légaux spécifiques et vous pouvez aussi jouir d'autres droits d'un endroit à un autre.

Cette garantie est une garantie limitée comme définie dans la loi Magnuson-Moss Act de 1975.

GUIDE DE DÉPANNAGE

PROBLÈME	CAUSE	CORRECTION
La tondeuse (ou son accessoire) s'arrête lorsque le tracteur passe en marche arrière	1. Système de fonctionnement en marche arrière (ROS) est sur OFF n'est pas sur ON	1. Tournez le ROS sur ON.
Le moteur marche lorsque le conducteur quitte le siège avec l'embrayage d'accessoire engagé	1. Le système qui détecte la présence du conducteur est défectueux.	1. Vérifiez le câblage, les interrupteurs et les connexions. Si le problème n'est pas corrigé, contactez un centre d'entretien autorisé.
Coupe inégale	1. La lame est usée, tordue ou lâche. 2. Le carter de tondeuse n'est pas équilibré. 3. Il y a une accumulation d'herbe, de feuilles, et de débris sous la tondeuse. 4. Un mandrin de lame est tordu. 5. Les trous d'évent du carter de tondeuse sont obstrués par l'accumulation de l'herbe, de feuilles, et de débris autour des mandrins.	1. Remplacez la lame. Serrez le boulon de lame. 2. Nivelez le carter de tondeuse. 3. Nettoyez dessous du boîtier de tondeuse. 4. Remplacez le mandrin de lame. 5. Nettoyez les faces de mandrin pour ouvrir les trous d'évent.
Les lames de tondeuse ne tournent pas	1. Une obstruction dans le mécanisme d'embrayage. 2. La courroie d'entraînement de tondeuse est usée ou endommagée. 3. Gallet-tendeur grippé. 4. Un mandrin de lame grippé.	1. Enlevez l'obstruction. 2. Remplacez la courroie d'entraînement de tondeuse. 3. Remplacez le gallet-tendeur. 4. Remplacez le mandrin de lame.
Mauvaise décharge de l'herbe	1. La vitesse de moteur est trop lente. 2. La vitesse de course est trop rapide. 3. Herbe humide. 4. Le carter de tondeuse n'est pas équilibré. 5. La pression des pneus est basse ou inégale. 6. La lame est usée, tordue ou lâche. 7. Il y a une accumulation d'herbe, de feuilles, et de débris sous la tondeuse. 8. La courroie d'entraînement de tondeuse est usée. Les lames n'ont pas été correctement montées. 9. Les lames n'ont pas été correctement montées. 10. Les mauvaises lames ont été montées. 11. Les trous d'évent du carter de tondeuse sont obstrués par l'accumulation d'herbe, de feuilles, et de débris autour des mandrins.	1. Déplacez la commande des gaz dans la position rapide (FAST). 2. Changez à une vitesse plus lente. 3. Laissez sécher l'herbe avant de tondre. 4. Nivelez le carter de tondeuse. 5. Vérifiez la pression des pneus. 6. Remplacez la lame ou affilez-la. Serrez le boulon de lame. 7. Nettoyez dessous du boîtier de tondeuse. 8. Remplacez la courroie d'entraînement de tondeuse. Réinstallez les lames avec le bord tranchant vers le bas. 9. Réinstallez les lames avec les lames recommandées dans ce manuel. 11. Nettoyez les faces de mandrin pour ouvrir les trous d'évent.
Les phares n'allument pas (si muni)	1. Interrupteur est dans la position d'arrêt (OFF). 2. Ampoule(s) ou lampe(s) grillées. 3. Interrupteur des phares est défectueux. 4. Le câblage est lâche ou endommagé. 5. Fusible sauté.	1. Mettez l'interrupteur dans la position marche (ON). 2. Remplacer l'ampoule(s) ou lampe(s). 3. Vérifiez/remplacez l'interrupteur des phares. 4. Vérifiez le câblage et les connexions. 5. Remplacez le fusible.
La batterie ne charge pas	1. Mauvais élément(s) de la batterie. 2. Mauvaises connexions du câble. 3. Régulateur défectueux (si muni d'un). 4. Alternateur défectueux.	1. Remplacez la batterie. 2. Vérifiez/remplacez toutes les connexions. 3. Remplacez le régulateur. 4. Remplacez l'alternateur.
Une perte d'entraînement	1. La commande de la roue libre est en position dégaïée. 2. Courroie d'entraînement de déplacement est usagée, endommagée, ou cassée. 3. Air emprisonné dans la transmission pendant le transport ou le réglage.	1. Mettez la commande de la roue libre en position engagée. 2. Remplacez la courroie d'entraînement de déplacement. 3. Purgez la transmission.
Pétarade au silencieux quand le moteur est coupé (OFF).	1. La commande des gaz de moteur n'est pas dans la position intermédiaire (entre rapide et lent) avant de couper le moteur.	1. Déplacez la commande des gaz dans la position intermédiaire (entre rapide et lent) avant de couper le moteur.

GUIDE DE DÉPANNAGE

PROBLÈME	CAUSE	CORRECTION
Le moteur refuse de démarrer	<ol style="list-style-type: none"> 1. Sans essence. 2. Le moteur n'est pas démarré à froid correctement. 3. Le moteur est noyé. 4. Mauvaise bougie d'allumage. 5. Filtre à air sale. 6. Filtre d'essence sale. 7. Il y a de l'eau dans l'essence. 8. Le câblage est lâche ou endommagé. 9. Le carburateur demande un réglage. 10. Les soupapes de moteur demandent un réglage. 	<ol style="list-style-type: none"> 1. Remplissez le réservoir d'essence. 2. Référez-vous à la section "POUR DÉMARRER". 3. Attendez quelques minutes avant d'essayer de démarrer. 4. Remplacez la bougie d'allumage. 5. Nettoyez/remplacez le filtre à air. 6. Remplacez le filtre d'essence. 7. Vidangez l'essence du réservoir et du carburateur, remplissez le réservoir d'essence avec de l'essence fraîche, et remplacez le filtre d'essence. 8. Vérifiez tout le câblage. 9. Voyez la section "Pour Régler le Carburateur" dans la section Entretien et Réglages. 10. Contactez un centre d'entretien autorisé.
Démarrage difficile	<ol style="list-style-type: none"> 1. Filtre à air sale. 2. Mauvaise bougie d'allumage. 3. Batterie faible ou à plat. 4. Filtre d'essence sale. 5. L'essence sale ou vieille. 6. Le câblage est lâche ou endommagé. 7. Le carburateur demande un réglage. 8. Les soupapes de moteur demandent un réglage. 	<ol style="list-style-type: none"> 1. Nettoyez/remplacez le filtre à air. 2. Remplacez la bougie d'allumage. 3. Rechargez ou remplacez la batterie. 4. Remplacez le filtre d'essence. 5. Vidangez l'essence du réservoir d'essence et remplissez avec de l'essence fraîche. 6. Vérifiez tout le câblage. 7. Voyez la section "Pour Régler le Carburateur" dans la section Entretien et Réglages. 8. Contactez un centre d'entretien autorisé.
Moteur ne tourne pas au ralenti	<ol style="list-style-type: none"> 1. La pédale de frein n'est pas baissée. 2. L'embrayage d'accessoire est à la position embrayée. 3. Batterie faible ou à plat. 4. Fusible sauté. 5. Les bornes de batterie sont corrodées. 6. Le câblage est lâche ou endommagé. 7. Le contacteur d'allumage est défectueux. 8. Le solénoïde ou le démarreur est défectueux. 9. L'interrupteur qui détecte la présence du conducteur est défectueux. 	<ol style="list-style-type: none"> 1. Appuyez sur la pédale de frein. 2. Débrayez l'embrayage d'accessoire. 3. Rechargez ou remplacez la batterie. 4. Remplacez le fusible. 5. Nettoyez les bornes de batterie. 6. Vérifiez tout le câblage. 7. Vérifiez/remplacez le contacteur d'allumage. 8. Vérifiez/remplacez le solénoïde ou le démarreur. 9. Contactez un centre d'entretien autorisé.
Il y a un dé clic mais le moteur ne démarre pas	<ol style="list-style-type: none"> 1. Batterie faible ou à plat. 2. Les bornes de batterie sont corrodées. 3. Le câblage est lâche ou endommagé. 4. Le solénoïde ou le démarreur est défectueux. 	<ol style="list-style-type: none"> 1. Rechargez ou remplacez la batterie. 2. Nettoyez les bornes de batterie. 3. Vérifiez tout le câblage. 4. Vérifiez/remplacez le solénoïde ou le démarreur.
Le moteur manque de puissance	<ol style="list-style-type: none"> 1. Vous tondez trop d'herbe/la vitesse de la tondeuse est trop rapide. 2. La commande des gaz est à la position étrangleur. 3. Il y a une accumulation d'herbe, de feuilles, et de débris sous la tondeuse. 4. Filtre à air sale. 5. Niveau d'huile bas/huile sale. 6. La bougie d'allumage est défectueuse. 7. Filtre d'essence sale. 8. L'essence sale ou vieille. 9. Il y a de l'eau dans l'essence. 10. Un fil lâche sur la bougie d'allumage. 11. Tamis d'air du moteur/allèges sont sales. 12. Silencieux sale ou encrassé. 13. Le câblage est lâche ou endommagé. 14. Le carburateur demande un réglage. 15. Les soupapes de moteur demandent un réglage. 	<ol style="list-style-type: none"> 1. Mettez en position de coupe plus haute ou réduisez la vitesse. 2. Réglez la commande des gaz. 3. Nettoyez dessous du boîtier de tondeuse. 4. Nettoyez/remplacez le filtre à air. 5. Vérifiez le niveau d'huile/changez l'huile. 6. Nettoyez, ajustez l'écartement ou remplacez la bougie d'allumage. 7. Remplacez le filtre d'essence. 8. Vidangez l'essence du réservoir d'essence et remplissez le réservoir avec de l'essence fraîche. 9. Vidangez l'essence du réservoir et du carburateur, remplissez le réservoir avec de l'essence fraîche, et remplacez le filtre d'essence. 10. Branchez et serrez le fil de bougie d'allumage. 11. Nettoyez le tamis d'air du moteur/allèges. 12. Nettoyez/remplacez le silencieux. 13. Vérifiez tout le câblage. 14. Voyez la section "Pour Régler le Carburateur" dans la section Entretien et Réglages. 15. Contactez un centre d'entretien autorisé.
Vibrations excessives de la tondeuse	<ol style="list-style-type: none"> 1. La lame est usée, tordue, ou lâche. 2. Un mandrin de lame est tordu. 3. Des pièces sont lâches ou endommagées. 	<ol style="list-style-type: none"> 1. Remplacez la lame. Serrez à fond le boulon de lame. 2. Remplacez le mandrin de lame. 3. Serrez les pièces lâches. Remplacez les pièces endommagées.

ENTREPOSAGE

Préparez immédiatement votre tracteur pour d'entreposage à la fin de la saison ou si le tracteur ne sera pas utilisé pendant une période de 30 jours ou plus.



AVERTISSEMENT: N'entrez jamais le tracteur dans un bâtiment lorsque le réservoir contient de l'essence ou une étincelle. Permettez le moteur de refroidir avant de l'entreposer dans une enceinte.

TRACTEUR

Enlevez la tondeuse du tracteur quand vous l'entreposez pour l'hiver. Quand la tondeuse doit être entreposée pendant une longue période de temps, nettoyez-la à fond, enlevez toutes la saleté, la graisse, les feuilles, etc. Entrez le tracteur dans un endroit propre et sec.

Nettoyez le tracteur entier (voir à la section de Nettoyage dans la section Entretien de ce manuel).

Inspectez, et si nécessaire, remplacez les courroies (Réfêrez-vous aux instructions de remplacement de la courroie dans la section de Entretien et Réglages de ce manuel).

Lubrifiez comme illustré dans la section Entretien de ce manuel.

Assurez-vous que tous les écrous, les boulons, et les vis soient bien fixés. Vérifiez toutes les pièces mobiles pour l'avarie, le bris, et l'usure. Remplacez-les si nécessaire. Retouchez toutes les surfaces peintes si elles se sont rouillées ou éraflées; sablez légèrement au papier émeri avant de peindre.

BATTERIE

Chargez complètement la batterie avant d'entreposer. Il est parfois nécessaire de recharger la batterie après une longue période d'entreposage.

Pour éviter la corrosion et les fuites de puissance pendant une longue période d'entreposage, les câbles de batterie devraient être débranchés et la batterie devrait être nettoyée à fond (réfêrez-vous à la section de "NETTOYER LA BATTERIE ET LES BORNES" dans la section Entretien de ce manuel).

Après le nettoyage, laissez débrancher les câbles et mettez-les où ils ne puissent pas entrer en contact avec les bornes de batterie.

Si la batterie est enlevée du tracteur pour l'entreposage, ne mettez pas la batterie directement sur une superficie bétonnée ou humide.

MOTEUR

SYSTEME D'ESSENCE

IMPORTANT: C'EST TRÈS IMPORTANT D'ÉVITER LA FORMATION DES DÉPÔTS DE GOMME DANS LE CARBURATEUR, LE FILTRE D'ESSENCE, LE TUYAU D'ESSENCE OU LE RÉSERVOIR D'ESSENCE PENDANT L'ENTREPOSAGE. L'EXPÉRIENCE DÉMONTRE QUE LES CARBURANTS QUI SONT MÉLANGÉS AVEC DE L'ALCOOL (ETHANOL OU METHANOL ET PARFOIS APPELÉS GASOHOL) PEUVENT ATTIRER L'HUMIDITÉ QUI CAUSE LA SÉPARATION ET LA FORMATION D'ACIDE PENDANT L'ENTREPOSAGE. L'ESSENCE ACIDE PEUT AVARIER LE SYSTÈME DE CARBURANT DU MOTEUR PENDANT L'ENTREPOSAGE.

Vidangez le réservoir d'essence en mettant en marche le moteur et le laissant courir jusqu'à ce que les conduites d'essence et le carburateur soient vides.

- N'utilisez jamais les produits spéciaux pour nettoyer le moteur et le carburateur dans le réservoir d'essence. L'emploi de ces produits pourrait causer des dégâts permanents.
- Utilisez de l'essence fraîche l'année suivante.

REMARQUE: Un stabilisateur d'essence est une option acceptable pour minimiser la formation des dépôts de gomme de carburant pendant l'entreposage. Ajoutez le stabilisateur à l'essence dans le réservoir d'essence ou dans le bidon de carburant. Suivez toujours le dosage de mélange inscrit sur le bidon de stabilisateur. Laissez tourner le moteur pendant au moins 10 minutes après avoir ajouté le stabilisateur pour lui permettre d'atteindre le carburateur. Ne vidangez pas le réservoir d'essence et le carburateur si le stabilisateur d'essence est utilisé.

HUILE DE MOTEUR

Vidangez l'huile (quand le moteur est chaud) et remplacez avec de l'huile de moteur fraîche. (Voir la section "MOTEUR" dans la section Entretien de ce manuel).

CYLINDRE(S)

- Enlevez la(s) bougie(s) d'allumage.
- Versez une once (29 ml) d'huile par l'orifice(s) de bougie d'allumage dans le(s) cylindre(s).
- Tournez la clé d'allumage à la position de démarrage (START) pendant quelques secondes pour répartir l'huile.
- Remplacez avec une nouvelle bougie d'allumage.

INFORMATION SUPPLÉMENTAIRE

- Ne conservez pas d'essence d'une saison à l'autre.
- Remplacez le bidon d'essence s'il commence à rouiller. La présence de rouille et/ou la saleté dans l'essence causera des problèmes.
- Entrez le tracteur à l'intérieur, si possible, et couvrez-le pour le protéger de la poussière et de la saleté.
- Couvrez le tracteur avec une couverture perméable. N'utilisez pas une couverture en plastique. Le plastique obstrue la circulation d'air et permet la formation de condensation qui fera rouiller le tracteur.

IMPORTANT: NE COUVREZ JAMAIS LE TRACTEUR QUAND LE MOTEUR ET LES ENDRITS D'ÉCHAUFFEMENT SONT ENCORE CHAUDS.

REVISION ET REGLAGES

REPLACER LA BATTERIE (Voir les Fig. 26 et 27)

AVERTISSEMENT: Ne court-circuitez pas les bornes de batterie par perçage ou une clé ou autres objets entrant en contact avec les deux bornes à la même fois. Avant d'installer la batterie, enlevez tous les bijoux, les bracelets de montre, les bagues métalliques, etc.



Au début la borne positive doit être branchée pour prévenir les étincelles d'une mise à la masse accidentelle.

- Levez la bac du siège à la position élevée.
- Premièrement débranchez le câble de batterie NOIR et ensuite le câble de batterie ROUGE et enlevez la batterie du tracteur.
- Installez la nouvelle batterie avec les bornes dans la même place comme vieille batterie.
- Premièrement branchez le câble de batterie ROUGE à la borne positive (+) avec un boulon H et écrou à taquets comme montré. Serrez à fond. Glissez la couverture borne au-dessus de la borne
- Branchez le câble de masse de batterie NOIR à la borne négative (-) avec le boulon H et écrou à taquets qui restent. Serrez à fond.

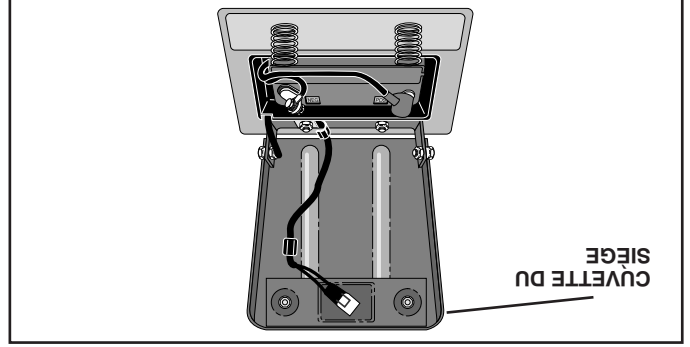


FIG. 26

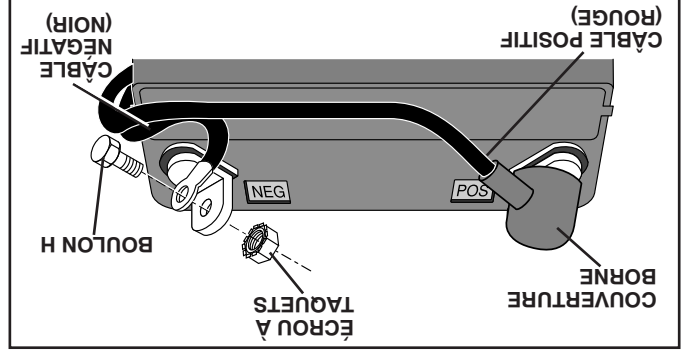


FIG. 27

POUR REMPLACER L'AMPOULE DES PHARES

- Soulevez le capot.
- Dégagez de la douille d'ampoule de l'arrière de la calandre.
- Réinstallez l'ampoule dans la douille et poussez à fond la douille d'ampoule dans l'orifice à l'arrière de la calandre.
- Fermez le capot.

VERROUS ET RELAIS

- Un câblage desserré ou avarié peut être la cause du mauvais fonctionnement, de l'arrêt ou du non-démarrage du tracteur.
- Vérifiez le câblage. Voir le schéma du câblage électrique dans la section Pièces de Rechange.

POUR ENLEVER LE CAPOT ET LA CALANDRE (Voir la Fig. 28)

- Soulevez le capot.
- Débranchez le connecteur des câbles des phares.
- Placez-vous au devant le tracteur. Empoignez le capot et les panneaux latéraux, inclinez-le un peu vers le moteur et soulevez-le du tracteur.
- Pour le réinstaller, inversez les étapes ci-dessus.

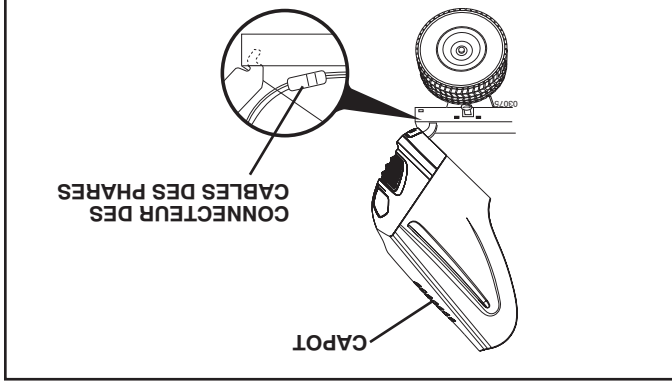


FIG. 28

MOTEUR

POUR RÉGLER LE CÂBLE DE LA COMMANDE DES GAZ

La commande des gaz a été pré-réglée à l'usine et un réglage ne devrait pas être nécessaire. Si un réglage est nécessaire, voir le manuel du moteur.

POUR RÉGLER LE CARBURATEUR

Votre carburateur n'est pas réglable. Si votre moteur ne fonctionne pas correctement à cause des problèmes avec le carburateur, veuillez apporter la tondeuse à gaz au centre d'entretien autorisé le plus proche pour faire la réparation et/ou le réglage.

REVISION ET REGLAGES

REGLAGE AU NEUTRE DU LEVIER DE CHANGEMENT DE LA BOÎTE DE VITESSES (Voir la Fig. 23)

La boîte de vitesses es doit être au neutre quand le levier de changement est dans la position (N) (Vanne de fermeture). Ce préreglage est effectué à l'usine. Si d'autres réglages sont nécessaires, procédez de la façon suivante:

- Vérifier que la boîte de vitesses au neutre (N).
- REMARQUE: Quand les roues avant du tracteur bougent librement, la boîte de vitesses est toujours au "neutre".
- Desserrer le boulon de réglage à l'avant de la roue droite arrière.
- Placez le levier de changement au neutre (N).
- Serrez à fond le boulon de réglage.

REMARQUE: S'il faut plus d'espace pour atteindre le boulon de réglage, réglez la hauteur de la tondeuse à la position la plus basse.

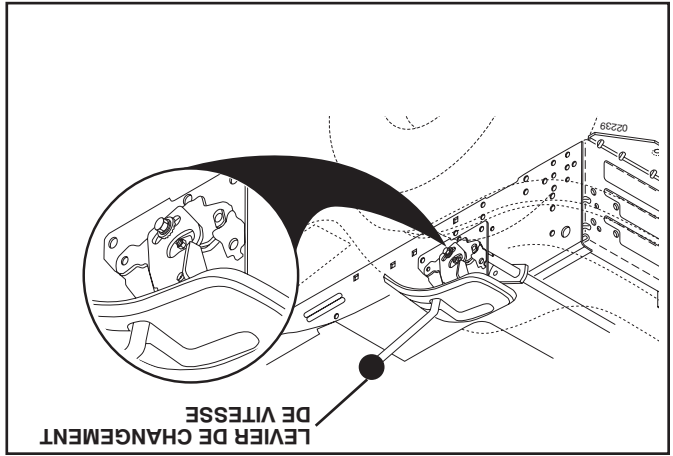


FIG. 23

POUR RÉGLER L'ALIGNEMENT DE LA DIRECTION

Si les barres transversales du volant de direction ne sont pas en position horizontale (de gauche à droite) quand les roues du tracteur sont droites, enlevez le volant de direction et rassemblez-le selon les directives indiquées dans la section "Montage" de ce manuel.

CONVERGENCE DES ROUES AVANT/CARROSSAGE

La convergence et le carrossage des roues avant ne sont pas réglable sur votre tracteur. Si des dommages affectent la convergence ou le carrossage des roues avant, contactez le centre d'entretien autorisé le plus proche.

POUR ENLEVER LES ROUES POUR LES RÉPARATIONS (Voir la Fig. 24)

- Fixes solidement des cales sous l'essieu.
- Enlevez le couvre-essieu, la bague de retenue et les rondelles pour permettre l'enlèvement de la roue (la roue arrière contient une clé carrée - ne la perdez pas).
- Réparez le pneu et rassemblez-le.
- Sur les roues arrière seulement: alignez les rainures dans le moyeu de roue arrière et l'essieu. Insérez la clé carrée.
- Réinstallez les rondelles et insérez à fond la bague de retenue dans la rainure d'essieu.
- Réinstallez le couvre-essieu.

REMARQUE: Pour boucher les crevaisons de pneus et pour prévenir les pneus à plat à cause des fuites, vous pouvez acheter un obturateur pour pneu chez votre dépositaire de pièces. Ect-ob-turateur prévient aussi l'assèchement et la corrosion du pneu.

POUR DÉMARRER LE MOTEUR AVEC UNE BATTERIE FAIBLE (Voir la Fig. 25)

AVERTISSEMENT: Les batteries au plomb et à l'acide produisent des gaz explosifs. Gardez les étincelles, les flammes, les cigarettes, etc. loin des batteries. Portez toujours des lunettes protectrices lorsque vous êtes près d'une batterie.

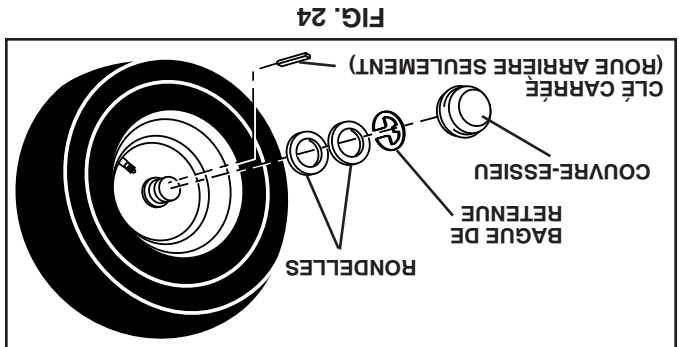


FIG. 24

Si votre batterie est trop faible pour démarrer le moteur, elle devrait être rechargée. (Voir "BATTERIE" dans la section Entretien de ce manuel).

Si vous utilisez des "câbles de survoltage" pour un démarrage d'urgence, voici le procédé à suivre:

IMPORTANT: VOTRE TRACTEUR EST MUNI D'UN SYSTÈME DE 12 VOLTS. L'AUTRE VÉHICULE DOIT AVOIR UN SYSTÈME DE 12 VOLTS. N'UTILISEZ PAS LA BATTERIE DU TRACTEUR POUR DÉMARRER LES AUTRES VÉHICULES.

PROCÉDURES - POUR ENLEVER LES CÂBLES, RENVÉRSEZ LES

- Débranchez d'abord le câble NOIR du châssis et ensuite de la batterie chargée complètement.
- Débranchez ensuite le câble ROUGE des deux batteries.

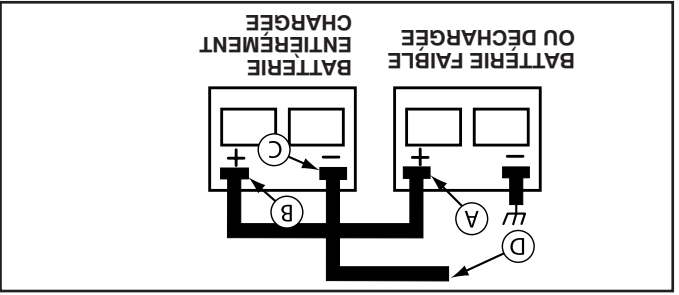


FIG. 25

REVISION ET REGLAGES

POUR VÉRIFIER LES FREINS

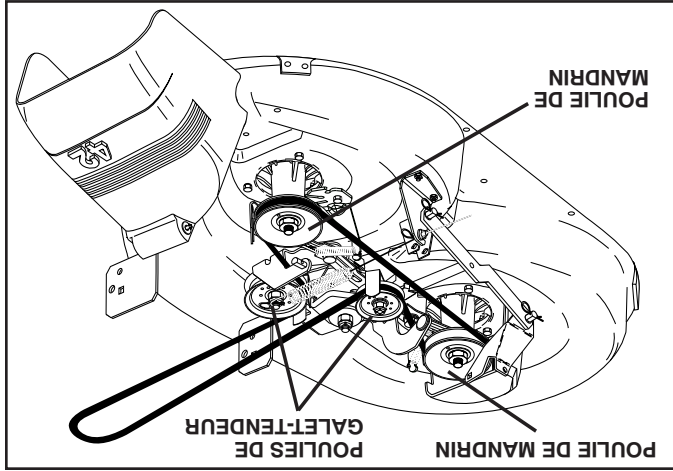
1. Stationnez le tracteur sur une surface de niveau en ciment ou pavée, abaissez complètement la pédale de frein/d'embrayage et actionnez le frein de stationnement.
2. Placez le levier de vitesse en position neutre (N).
Les roues arrière doivent être bloquées et dérapent lorsque vous tentez de pousser le tracteur vers l'avant. Si les roues arrière tournent, les freins doivent être vérifiés. Communiquez avec un centre d'entretien professionnel.

POUR REMPLACER LA COURROIE D'ENTRAÎNEMENT DE LAME DE TONDEUSE (Voir la Fig. 20)

La courroie d'entraînement de lame de tondeuse peut être remplacée sans outils. Garez le tracteur sur un terrain plat. Engagez le frein de stationnement.

ENLEVER LA COURROIE -

- Enlevez la tondeuse du tracteur (voir "POUR ENLEVER LA TONDEUSE" dans cette section de ce manuel).
- Manoeuvrez la courroie loin des deux poulies de mandrin et des poulies de gâlet-tendeur.
- Dégagez la courroie de la tondeuse.
- **INSTALLER LA COURROIE -**
- Installez la nouvelle courroie autour des deux poulies de mandrin et les poulies du gâlet-tendeur.
- Assurez-vous que la courroie soit dans toutes les rainures de la poulie et dans toutes les guides de la courroie.
- Installez la tondeuse (voir "POUR INSTALLER LA TONDEUSE" dans cette section de ce manuel).

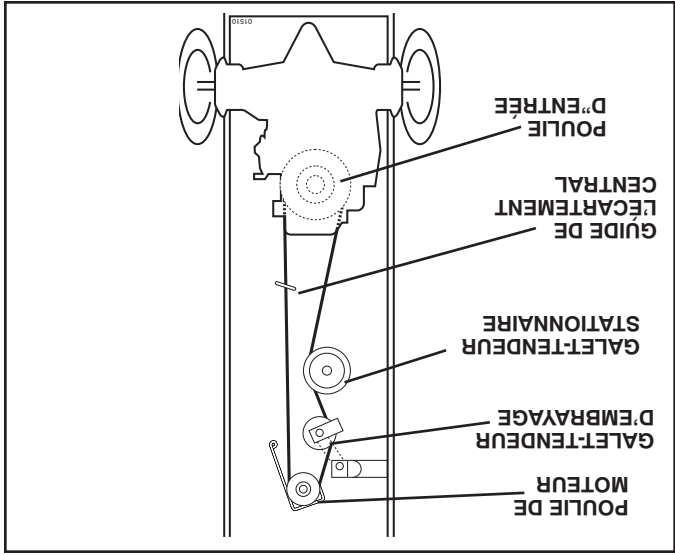


POUR REMPLACER LA COURROIE D'ENTRAÎNEMENT DE TRANSMISSION (Voir la Fig. 22)

- Garez le tracteur sur un terrain plat. Engagez le frein de stationnement. Pour vous aider, il y a un autocollant de guide d'installation de courroie sur le côté inférieur du repose-pieds à gauche.
 - Enlevez la tondeuse (voir "POUR ENLEVER LA TONDEUSE" dans cette section de ce manuel).
- REMARQUE: OBSERVEZ LA COURROIE D'ENTRAÎNEMENT ET POSITIONNEZ TOUTES LES GUIDES ET LES RETENUES DE COURROIE.**

INSTALLATION DE LA COURROIE

- Acheminez soigneusement la nouvelle courroie vers le bas entre le ventilateur de refroidissement de transmission et sur la poulie d'entrée.
- Glissez la courroie dans la guide de l'écartement central.
- Tirez la courroie vers l'avant du tracteur et roulez-la autour de la cannelure supérieure de la poulie de moteur.
- Installez la courroie au travers du gâlet-tendeur stationnaire et du gâlet-tendeur d'embrayage.
- Assurez-vous que la courroie soit acheminée à l'intérieur de tous les cannelures de poulie et dedans toutes les guides et les retenues de courroie.
- Installez la tondeuse (voir "POUR INSTALLER LA TONDEUSE" dans cette section de ce manuel).



REVISION ET REGLAGES

POUR NIVELER LE BOÎTIER DE TONDEUSE

Régiez la tondeuse pendant que le tracteur soit stationné sur un terrain plat ou une sortie de voiture plate. Assurez-vous que la pression de pneu soit correcte (vea el lado de la llanta). Si les pneus ne sont pas suffisamment ou trop gonflés, vous ne réglerez pas correctement votre tondeuse.

REGLAGE D'UN CÔTÉ À L'AUTRE

(Voir les Figs. 16 et 17)

- Soulevez la tondeuse à la position la plus haute.
- À mi-chemin des deux côtés de la tondeuse, mesurez la hauteur à partir du fond du bord de la tondeuse à la terre.
- La distance "A" devrait être la même ou à 6mm (1/4 po.) l'une de l'autre.
- Si le réglage est nécessaire, faites le réglage sur un côté seulement de la tondeuse.
- Soulevez un côté de la tondeuse en serrant l'écrou de réglage du raccord de levage sur ce côté.
- Baissez un côté de la tondeuse en desserrant l'écrou de réglage du raccord de levage sur ce côté.
- REMARQUE: Chaque tour complet de l'écrou de réglage changera la hauteur de la tondeuse environ de 0,32 cm (1/8 po.).
- Révérifiez les dimensions après du réglage.

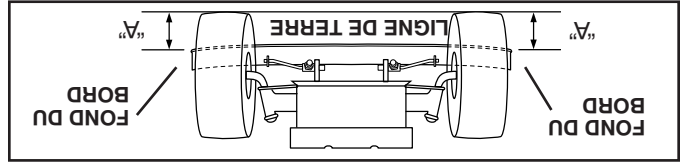


FIG. 16

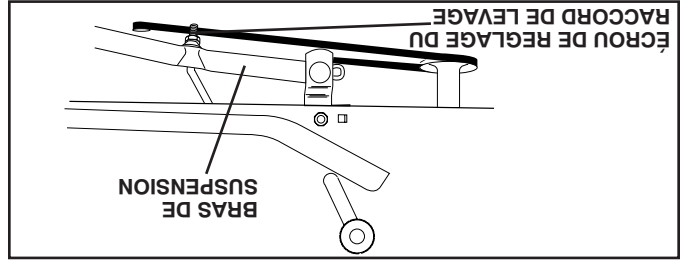


FIG. 17

REGLAGE DU DEVANT À L'ARRIÈRE

(Voir les Fig. 18 et 19)

IMPORTANT: LE CARTER DOIT ÊTRE PLAT D'UN CÔTÉ À L'AUTRE. SI LE REGLAGE DU DEVANT À L'ARRIÈRE SUIVANT EST NECESSAIRE, RÉGLEZ ÉGALEMENT LES DEUX RACCORDS AVANT POUR QUE LA TONDEUSE RESTE DE NIVEAU D'UN CÔTÉ À L'AUTRE.

- Pour obtenir les meilleurs résultats de coupe, le boîtier de tondeuse devrait être réglé afin que le devant soit environ de 0,32 cm (1/2 po.) à 1,27 cm (1/2 po.) inférieur à l'arrière quand la tondeuse est dans la position la plus haute.
- Vérifiez le réglage sur le côté droit du tracteur. Mesurez la distance "D" directement en face et derrière le mandrin au bord bas du boîtier de tondeuse comme montré.
- Avant de faire tout réglage nécessaire, vérifiez que les deux raccords avant soient égaux en longueur.
- Si les raccords ne sont pas égaux en longueur, réglez un raccord à l'autre.
- Pour baisser le devant de la tondeuse, desserrez l'écrou "E" sur les deux raccords antérieurs le même nombre des tours.
- Quand la distance "D" est 0,32 cm (1/8 po.) à 1,27 cm (1/2 po.) inférieure au devant que l'arrière, serrez les écrous "F" contre le tourillon sur les deux raccords avant.
- Pour soulever le devant de la tondeuse, desserrez l'écrou "E" sur les deux raccords avant du même nombre des tours.
- Les deux raccords antérieurs doivent rester égaux dans la longueur.
- Quand la distance "D" est 0,32 cm (1/8 po.) à 1,27 cm (1/2 po.) inférieure au devant que l'arrière, serrez les écrous "F" contre le tourillon sur les deux raccords avant.
- Vérifiez encore le réglage d'un côté à l'autre.

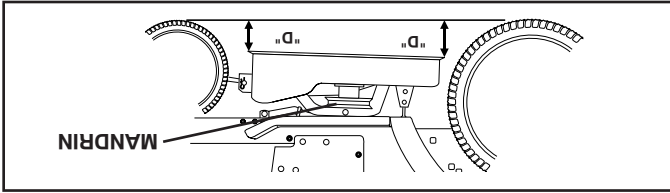


FIG. 18

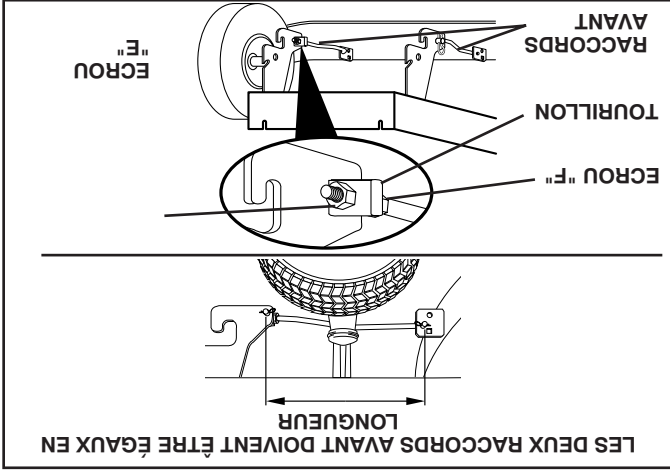


FIG. 19

LES DEUX RACCORDS AVANT DOIVENT ÊTRE ÉGAUX EN LONGUEUR

REVISION ET REGLAGES

AVERTISSEMENT: POUR ÉVITER DES DOMMAGES SÉRIEUX, AVANT DE FAIRE TOUS LES RÉVISIONS OU REGLAGES.



- Appuyez sur la pédale de frein/embrayage et engagez le frein de stationnement.
- Placez le levier de changement de vitesse en position point mort (N).
- Placez l'embrayage d'accessoire en position débrayée (DISENGAGED).
- Tournez la clé de contact à la position d'arrêt (STOP) et enlevez-la.
- Assurez-vous que les lames et toutes les pièces tournantes se soient arrêtées.
- Débranchez le câble de bougie d'allumage et posez-le de telle façon qu'il ne puisse pas entrer en contact avec la bougie d'allumage.

TRACTEUR

POUR ENLEVER LA TONDEUSE (Voir la Fig. 15)

- Mettez l'embrayage à accessoire dans la position débrayée (DISENGAGED).
- Déplacez vers l'avant le levier de levage d'accessoire pour baisser la tondeuse à la position la plus basse.
- Enlevez la courroie de la poulie de moteur.
- Enlevez le petit ressort de retenue, et soulevez le ressort d'embrayage hors du boulon de la poulie.
- Enlevez le grand ressort de retenue, dégagez le collier et poussez le guide de logement hors du support.
- Détachez la barre antiroulis du support du châssis en levant le ressort de retenue.
- Détachez les bras de suspension des supports du carter arrière en enlevant les ressorts de retenue.
- Détachez les raccords avant du carter en enlevant les ressorts de retenue.
- Soulevez le levier de levage pour élever les bras de suspension. Glissez la tondeuse du dessous du tracteur.

IMPORTANT: SI UN ACCESSOIRE AUTRE QUE LE CARTER DE TONDEUSE DOIT ÊTRE MONTÉ SUR LE TRACTEUR, ENLEVEZ LES RACCORDS AVANT ET ACCROCHEZ LE RESSORT D'EMBRAYAGE DANS LE TROU CARRÉ DU CHASSIS.

POUR INSTALLER LA TONDEUSE (Voir la Fig. 15)

- Mettez le levier de levage d'accessoire à sa position plus élevée.
- Glissez la tondeuse sous le tracteur avec le déflecteur de déchargement au côté droit du tracteur.
- Abaissez le levier de levage à sa position plus basse.
- Reliez les raccords antérieurs au carter de tondeuse et fixez-les avec les ressorts de retenue.
- Reliez les bras de suspension aux ressorts arrière du carter et fixez-les avec les ressorts de retenue.
- Reliez la barre de non mouvement au support du châssis et fixez-la avec le ressort de retenue.
- Poussez la guide du carter du câble d'embrayage dans le support, glissez le collier sur la guide et fixez-le avec le grand ressort de retenue.
- Placez la rondelle plate et le ressort de l'embrayage sur le boulon de la poulie du gâlet-tendeur et fixez-les avec le petit ressort de retenue.
- Installez la courroie sur la poulie de moteur.

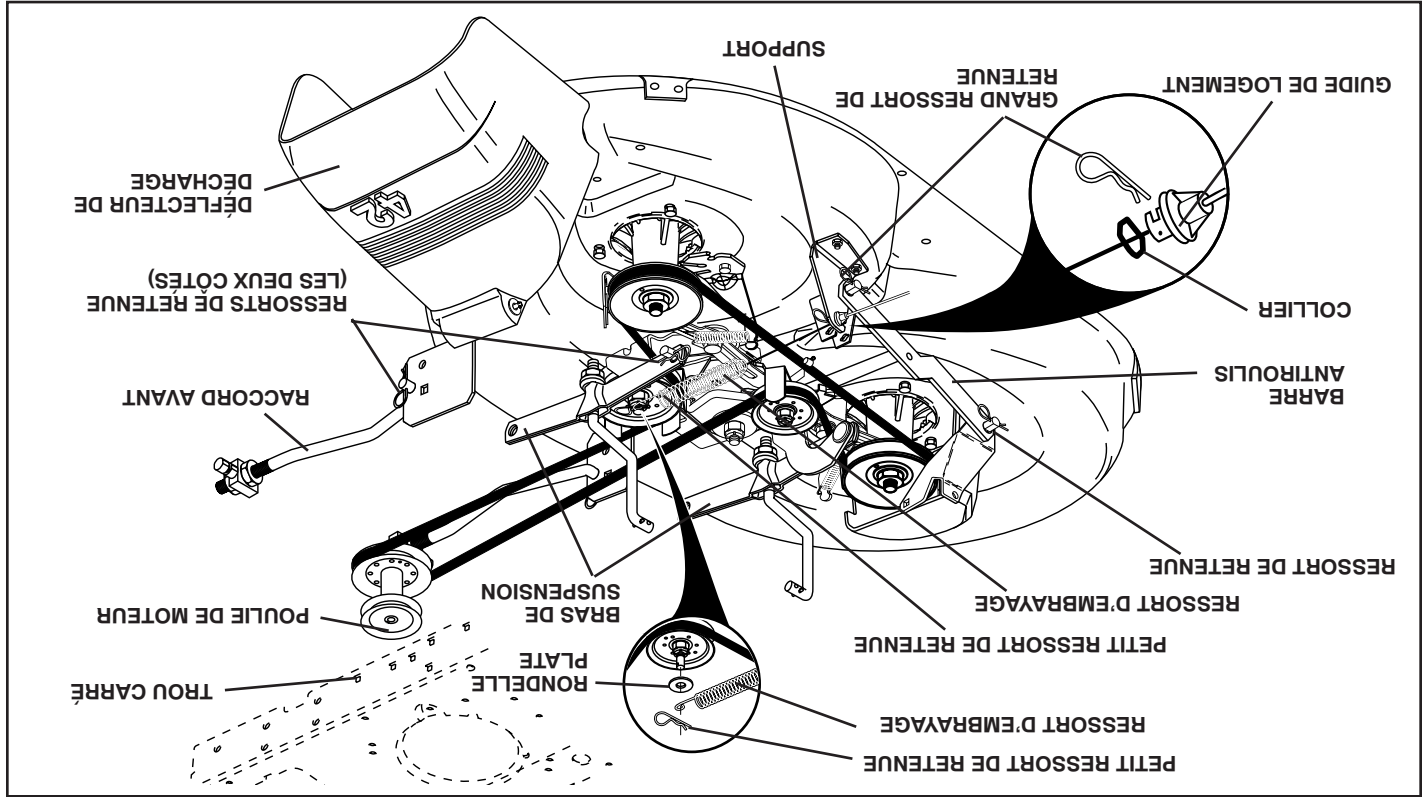


FIG. 15

AFFILER LA LAME (voir la FIG.11)

REMARQUE: Nous ne recommandons pas que vous affiliez la lame - mais si vous faites ça, la lame doit être équilibrée.

La lame doit être gardée équilibrée. Une lame mal équilibrée causera une vibration excessive et éventuellement abîmera la

tondeuse ou le moteur.

La lame peut être affilée avec une lime ou une meule.

N'essayez pas d'affiler la lame sans l'enlever de la ton-

deuse.

Pour vérifier l'équilibre de la lame, vous aurez besoin d'un

boulon de dia. 5/8 po. ou d'une cheville en acier de dia.

5/8 po. ou d'une équilibruse conique (Si vous utilisez une

équilibruse conique, suivez les instructions fournies avec

l'équilibruse).

REMARQUE: N'utilisez pas un clou pour équilibrer la lame. Les

parties de l'orifice central peuvent avoir l'apparence qu'elles sont

centrées, mais elles ne le sont pas.

Glissez la lame sur la partie sans filetage du boulon ou la

cheville en acier et gardez le boulon/la cheville dans une

position parallèle avec la terre. Si la lame est équilibrée,

elle doit rester horizontale. Si une extrémité de la lame se

déplace vers le bas, aiguissez l'extrémité qui est trop lourde

jusqu'à ce que la lame soit bien équilibrée.

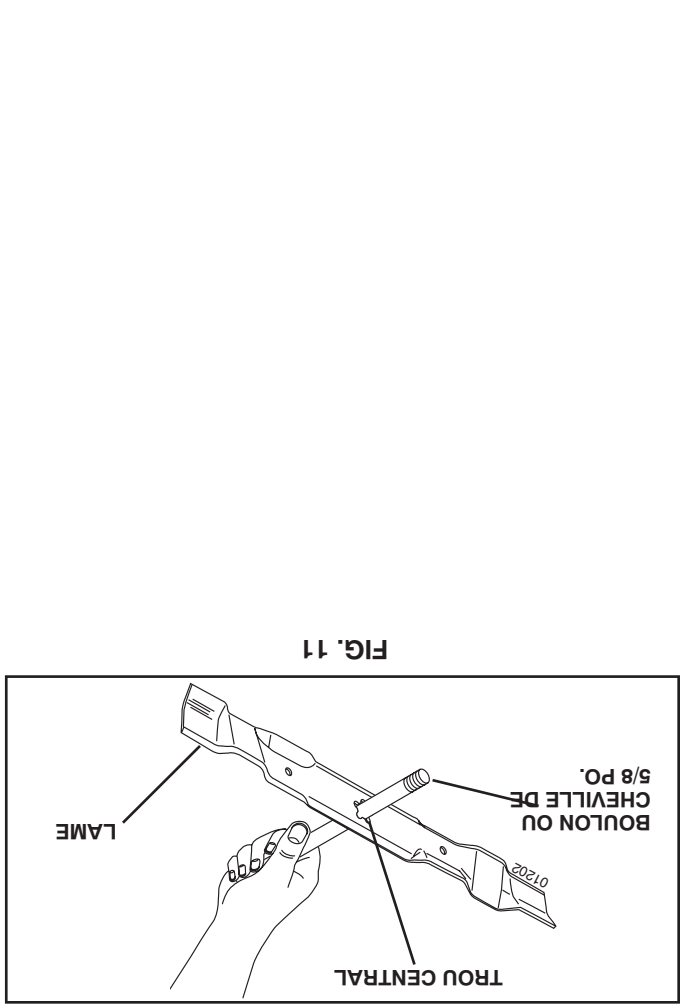


FIG. 11

durabilité.

Conservez la batterie et les bornes propres.

Conservez les boulons de batterie serrés.

Conservez les petits orifices de ventilations ouverts.

Rechargez la batterie à raison de six ampères pendant une

période d'une (1) heure.

REMARQUE: L'équipement original de batterie de votre tracteur

nécessite pas d'entretien. N'essayez pas d'ouvrir ou d'enlever

les boulons ou couvercles. Il n'est pas nécessaire de vérifier

ou d'ajouter plus d'électrolyte.

POUR NETTOYER LA BATTERIE ET LES BORNES:

La présence de corrosion ou de saleté sur la batterie et les bornes

peut causer les "fuites" de puissance.

Premièrement débranchez le câble de batterie NOIR et

ensuite le câble de batterie ROUGE et enlevez la batterie

du tracteur.

Rincez la batterie avec l'eau fraîche, et séchez-la.

Nettoyez les bornes et les bouts des câbles de batterie avec

une brosse métallique jusqu'à ce qu'ils brillent.

Enduisez les bornes avec la graisse ou le pétrolatum.

Reinstallez la batterie (Voir "REPLACER LA BATTERIE" dans

la section ENTRETIEN ET REGLAGES de ce manuel).

COURROIES TRAPÉZOÏDALES

Vérifiez les courroies trapézoïdales pour la détérioration et l'usure

après les 100 heures d'utilisation. Remplacez-les si nécessaire.

Les courroies ne sont pas réglables. Remplacez les courroies si

elles glissent à cause de l'usure.

La transmission a été scellée à l'usine et l'entretien de fluide n'est pas exigé pour la durabilité de la transmission. Si la transmission fuit ou doit être réparée, contactez votre centre d'entretien autorisé le plus proche.

FLUIDE MOTEUR DE LA TRANSMISSION

refroidissement.

Inspectez les ailettes de refroidissement pour la saleté, l'herbe

coupée et les autres matériaux. Pour empêcher de l'avarie

aux joints d'étanchéité, n'utilisez pas l'air comprimé ou le

pulvérisateur à haute pression pour nettoyer les ailettes de

refroidissement.

Inspectez le ventilateur de refroidissement pour s'assurer

que les lames de ventilateur soient propres et intactes.

Inspectez le ventilateur de refroidissement pour s'assurer

qu'il tourne librement et que le ventilateur soit chaud.

N'essayez pas de nettoyer le ventilateur ou la transmission pen-

dant que le moteur fonctionne ou pendant que la transmission

est chaude.

Le ventilateur et les ailettes de refroidissement de la transmission

devraient être conservés propres pour assurer le refroidissement

correct.

TRACTEUR

Observez toujours les règles de sécurité quand vous faites l'entretien.

FONCTIONNEMENT DU FREIN

Si le tracteur demande une distance d'arrêt de plus de cinq (5) pieds (1,52 m) pour s'arrêter à grande vitesse, sur une surface horizontale en béton sec ou pavée, vous devez contrôler et régler le frein. (Voir la section "POUR RÉGLER LE FREIN" dans la section Entretien et Réglages de ce manuel).

PNEUS

- Maintenez la pression correcte dans tous les pneus (vea el lado de la llanta).
- Assurez-vous que vos pneus ne soient pas en contact avec de l'essence, de l'huile ou des produits chimiques insecticides qui pourraient endommager le caoutchouc.
- Évitez les souches, les pierres, les ornieres profondes, les objets tranchants et les autres dangers qui pourraient causer des dégâts aux pneus.

REMARQUE: Pour boucher les crevaisons de pneus et pour prévenir les pneus à plat à cause des fuites, un enduit d'étanchéité de pneu peut être acheté chez votre fournisseur de pièces. L'enduit empêche le pneu de pourrir ou de se corroder.

SYSTÈME DE PRÉSENCE DE L'OPÉRATEUR ET SYSTÈME DE FONCTIONNEMENT EN MARCHÉ ARRIÈRE (ROS)

Vérifiez si les systèmes de présence de l'opérateur, de marche arrière et de verrouillage fonctionnent correctement. Si votre tracteur ne fonctionne pas de la façon décrite, réparez-le immédiatement.

- Le moteur ne démarre pas sauf si la pédale d'embrayage/frein est appuyée à fond est la commande de l'embrayage de l'accessoire est dégagée.

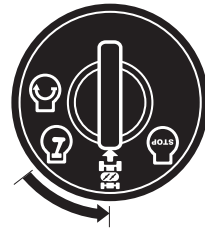
VÉRIFIEZ PRÉSENCE DE L'OPÉRATEUR

- Si l'opérateur quitte le poste de conduite, le moteur est en marche, sans tirer le frein de parking, le moteur s'arrête.
- Si l'opérateur quitte le poste de conduite, lorsque l'embrayage est engagé et le moteur en marche, le moteur s'arrête.
- L'embrayage de l'accessoire ne doit jamais fonctionner sauf si l'opérateur est au volant.

VÉRIFIEZ SYSTÈME DE FONCTIONNEMENT EN MARCHÉ ARRIÈRE (ROS)

- Si l'opérateur tente de reculer, lorsque le moteur est engagé, le moteur s'arrête.
- Si l'opérateur tente de reculer, lorsque le moteur est en marche avec le commutateur d'allumage sur ON est l'embrayage engagé, le moteur s'arrête.
- Si l'opérateur tente de reculer, lorsque le moteur est en marche avec le commutateur d'allumage sur la position NO est l'embrayage engagé, le moteur ne s'arrête PAS.

ROS SUR ON



POSITION DE MOTEUR ON (OPÉRATION NORMALE)



ENTRETIEN DES LAMES

Pour obtenir les meilleurs résultats, les lames de tondeuse doivent toujours être tranchantes. Remplacez les lames courbées ou endommagées.

DANGER: N'utilisez que les lames de rechange autorisées par le fabricant de votre tondeuse. L'usage d'une lame n'ayant pas été autorisée par le fabricant de votre tondeuse est dangereux et risque d'endommager votre tondeuse et d'annuler sa garantie.

ENLEVER LA LAME (voir la Fig. 10)

- Retirez la tondeuse le plus haut possible pour avoir aux lames.
- **REMARQUE:** Protégez vos mains avec des gants et/ou enveloppez la lame dans un linge épais.
- Enlevez le boulon de lame en le tournant dans le sens contraire des aiguilles d'une montre.

- Installez la nouvelle lame ou la lame affilée avec l'embouti "THIS SIDE UP" faisant face à la tondeuse et l'assemblage du mandrin.
- **IMPORTANT:** POUR ASSURER L'ASSEMBLAGE ADÉQUAT, ALIGNEZ LE TROU DU CENTRE DE LAME AVEC L'ÉTOILE DU MANDRIN.

- Installez et serrez le boulon de lame solidement (couple de torsion 45-55 pieds par livre).
- **IMPORTANT:** LE BOULON SPÉCIAL DE LAME EST SOUMIS À UN TRAITEMENT À LA CHALEUR.

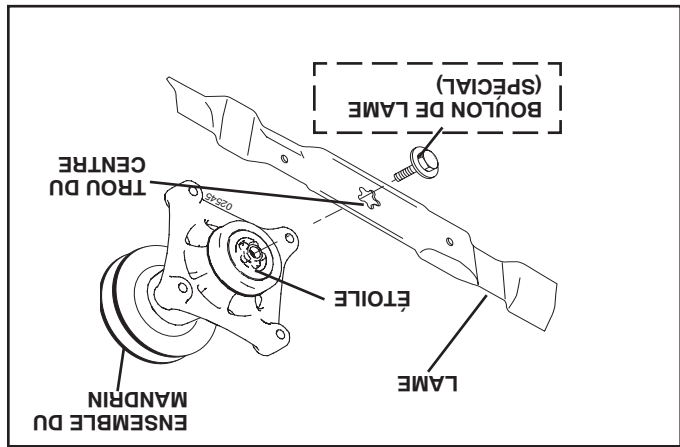


FIG. 10

UTILISATION

DÉMARRAGE PAR TEMPS FROID (50° F et moins)

- Quand vous démarrez le moteur, faites-le marcher avec la commande d'entraîtement dans la position étrangleur jusqu'à ce que le moteur réchauffe et commence à marcher mal. Une fois que ceci commence, déplacez immédiatement la commande des gaz à la position rapide. Ceci peut exiger un temps de quelques secondes à quelques minutes selon de température
- Les accessoires peuvent être utilisés pendant le temps d'échauffement du moteur.
- REMARQUE:** Le mélange de carburant demandera un réglage pour obtenir le meilleur rendement du moteur si les altitudes sont supérieures de 914,4 mètres (3000 pi) ou si les températures sont froides (inférieures à 32° F/0°C). Consultez la section "Pour Régler le Carburateur" dans la section de Entretien et Réglages de ce manuel.

CONSEILS DE TONDRE

- Assurez-vous que votre tondeuse soit correctement nivelée pour le meilleur rendement. (Voir la section de "Pour Nivelier le carter de Tondeuse" sous Entretien et Réglages de ce manuel).
- Vous devez utiliser le côté gauche de la tondeuse pour la taille.
- Conduisez de manière à ce que l'herbe coupée soit déversée sur la zone qui a été tondue. La zone coupée doit être située à la droite du tracteur. Vous obtiendrez ainsi une coupe plus uniforme et une meilleure répartition de l'herbe coupée.
- Pour tondre une grande surface, on vous conseille de commencer par tourner à droite, de façon à ce que l'herbe ne soit pas déversée sur les arbustes, les clôtures, les allées, etc. Après un ou deux tours, tondez en sens inverse en tournant à gauche jusqu'à ce que le travail soit achevé (Voir la Fig. 9).

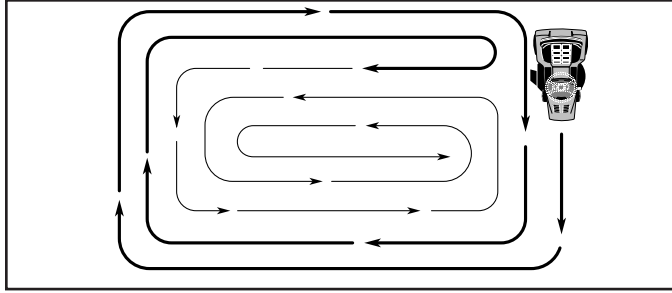


FIG. 9

- Si le gazon est très haut, il faut le tondre deux fois pour réduire la charge et la possibilité d'incendie de l'herbe sèche. La première fois, réglez l'appareil pour une coupe assez haute. La deuxième passe doit se faire à la hauteur désirée.
- Ne tondez pas l'herbe quand elle est mouillée. L'herbe mouillée bloquera la tondeuse. Laissez sécher l'herbe avant de tondre.
- **Tondez toujours avec la commande des gaz à plein gaz** pour assurer le meilleur rendement de tondre et le déchargement correct du matériau. Choisissez une vitesse de course qui donne le meilleur rendement de la tondeuse et la meilleure coupe.
- Quand vous utilisez les accessoires, choisissez toujours une vitesse de course qui convient au terrain et à l'accessoire utilisé.

POUR TRANSPORTER LE TRACTEUR

- Soulevez le mécanisme de levage d'accessoire à la position la plus haute avec la commande de levage d'accessoire.
 - Quand vous soussiez ou remorquez le tracteur, assurez-vous que le levier de changement de vitesse soit à la position point mort (N).
 - Ne remorquez ou poussez jamais votre tracteur à une vitesse de plus de 8 km/h (5 mph).
- REMARQUE:** Pour protéger le capot des dommages pendant le transport de votre tracteur sur camion ou remorque, assurez-vous que le capot soit fermé et fixé au tracteur. Utilisez les moyens appropriés (corde, câble, etc.).

POUR REMORQUER DES CHARRETTES ET AUTRES ACCESSOIRES


Remorquez seulement les accessoires recommandés, dans les spécifications du fabricant de votre tracteur. Faites preuve de jugement lorsque vous remorquez un accessoire. Il est dangereux de remorquer des chargements trop lourds dans une pente. Les pneus peuvent perdre de l'adhérence avec le terrain et vous faire perdre la maîtrise de votre tracteur.

AVANT DE DÉMARRER LE MOTEUR

- Ce moteur a été rempli à l'usine avec l'huile d'été avant l'expédition.
- Stationnez le tracteur sur un terrain plat avant de vérifier le niveau d'huile du moteur.
- Enlevez le bouchon de remplissage d'huile avec la jauge d'huile et nettoyez-la, remettez-la en place et serrez à fond le bouchon. Attendez quelques secondes puis enlevez-la pour déterminer le niveau d'huile. Si nécessaire, remplissez avec l'huile jusqu'à la marque pleine (FULL) sur la jauge d'huile. N'en mettez pas trop.
- Pour faciliter le démarrage pendant l'hiver, vous devriez changer l'huile. (Voir le "Tableau de Viscosité d'Huile" dans la section de l'entretien de ce manuel.)
- Pour changer l'huile de moteur, voir la section Entretien de ce manuel.

REMPLIR LE RÉSERVOIR D'ESSENCE

- Remplissez le réservoir d'essence. Remplissez le réservoir d'essence jusqu'au fond de son goulot de remplissage. N'en mettez pas trop. Utilisez de l'essence sans plomb, régulier, fraîche, et propre avec un indice d'octane au moins 87. (L'utilisation d'essence sans plomb tend à réduire les dépôts de calamine et d'oxyde de plomb et prolonge la vie des soupapes). Ne mélangez pas l'huile avec l'essence. Pour que l'essence utilisée soit fraîche, achetez des quantités qui peuvent être utilisées dans les trente jours suivant l'achat.



ATTENTION: Essayez toujours l'huile jamais emmagasinée, répandre ou utiliser ou l'essence renversée. Vous ne devez de l'essence près d'une flamme nue.

IMPORTANT: POUR ASSURER UN BON DÉMARRAGE PAR TEMPS FROID (SOUS LES 32°F/0°C), VOUS DEVEZ UTILISER DE L'ESSENCE FRAÎCHE, PROPRE ET SPÉCIALE D'HIVER.

ATTENTION: L'expérience indique que les combustibles mélangés avec l'alcool (appelés gasohol ou utilisant l'éthanol ou le méthanol) peuvent attirer l'humidité qui cause la séparation et la formation d'acide pendant l'entreposage. Le gaz acide peut avalier le système d'essence d'un moteur pendant l'entreposage. Pour éviter les problèmes de moteur, le système d'essence doit être vidé avant tout l'entreposage de 30 jours ou plus. Vidangez le réservoir d'essence, démarrez le moteur et laissez-le fonctionner jusqu'à ce que les conduites de combustible et le carburateur soient vides. Utilisez de l'essence fraîche la saison suivante. Reportez-vous aux instructions sur l'entreposage pour les autres renseignements. N'utilisez jamais de produits de nettoyage de moteur ou de carburateur dans le réservoir d'essence sinon des dommages permanents pourraient être causés.

POUR DÉMARRER LE MOTEUR

(Voir la Fig. 4)

- Si vous démarrez le moteur pour la première fois ou si le moteur est sans essence, il faut plus de temps pour déplacer l'essence du réservoir au moteur.
- Asseyez-vous sur le siège, enfoncez la pédale d'embrayage/ frein et engagez le frein de stationnement.
 - Mettez le levier de changement de vitesse à la position point mort (N).
 - Déplacez l'embrayage d'accessoire à la position débrayée (DISENGAGED).
 - Déplacez le levier de la commande des gaz à la position étranglés.
- REMARQUE:** Avant de commencer, lisez les instructions suivantes.

- Insérez et tournez la clé dans le sens des aiguilles d'une montre à la position de démarrage (START) et relâchez la clé dès que le moteur démarre. N'utilisez pas le démarreur sans interruptions pendant plus de quinze secondes par minute. Si le moteur ne démarre pas après avoir essayé quatre fois, attendez quelques minutes et essayez encore. Si le moteur ne démarre pas après quelques essais, déplacez la commande des gaz à la position étranglé et essayez encore.

DÉMARRAGE PAR TEMPS CHAUD (50°F et plus)

- Quand vous démarrez le moteur, déplacez la commande des gaz de starter lentement à la position rapide.
- Alors maintenant, les accessoires et la commande d'entraînement peuvent être utilisés. Si le moteur ne peut pas accepter cette charge, démarrez-le une autre fois et permettez qu'il se chauffe pendant une minute en utilisant l'étrangleur comme décrit ci haut.

SYSTÈME DE FONCTIONNEMENT EN MAR-

CHE ARRIÈRE (ROS)

Votre tracteur est équipé d'un Système de fonctionnement en marche arrière (ROS). Si l'opérateur tente de circuler en marche arrière avec l'embrayage de l'accessoire engagé il provoquera l'arrêt du moteur à moins que la clef d'allumage soit placée dans la position ROS "ON".

AVERTISSEMENT: Il est fortement déconseillé de faire reculer avec l'embrayage de l'accessoire de toute manière. L'opérateur ne doit mettre le ROS sur ON, pour pouvoir reculer avec l'embrayage de l'accessoire engagé, que s'il l'estime réellement nécessaire pour repositionner la machine avec l'accessoire engagé. Ne tondez pas en marche arrière à moins qu'absolument nécessaire.

UTILISATION DU SYSTÈME DE FONCTIONNEMENT EN MARCHÉ ARRIÈRE

N'utilisez que si vous êtes certain qu'aucun enfant ou tiers n'est présent sur la surface à tondre.

Enfoncez complètement la pédale de l'embrayage/frein sans la lâcher.

Avec le moteur en marche, introduisez la clé dans le commutateur ROS et faites-la tourner en sens anti-horaire sur ON.

Regardez vers le bas et vers l'arrière avant de reculer.

Déplacez le levier de vitesse sur la marche arrière (R) et lâchez lentement la pédale d'embrayage/frein pour commencer le mouvement.

Lorsque l'utilisation du ROS n'est plus nécessaire, faites tourner la clé de contact en sens horaire sur ON.



FIG. 7

POUR UTILISER DANS LES PENTES

AVERTISSEMENT: N'utilisez jamais le tracteur dans les côtes de plus de 15°. Ne le conduisez jamais en travers des surfaces en pente.

- Choisissez la vitesse la plus lente avant de commencer à monter ou descendre une côte.
- Évitez de changer la vitesse ou d'arrêter dans une côte.
- Si vous devez ralentir l'allure, déplacez le levier de la commande des gaz à une position réduite.
- Si il est absolument nécessaire d'arrêter, enfoncez rapidement la pédale de frein/embrayage jusqu'à sa position de freinage. Engagez le frein de stationnement.
- Déplacez le levier de changement de vitesse en première vitesse. Assurez-vous qu'il y ait suffisamment d'espace pour le mouvement de recul du tracteur au redémarrage.
- Pour redémarrer, dégagez lentement le frein de stationnement et la pédale de frein/embrayage.
- Virez toujours très progressivement.

POUR UTILISER LA TONDEUSE

(Voir la Fig. 6)

Votre tracteur est muni d'un interrupteur de détection de présence d'un opérateur. Le moteur s'arrête si l'opérateur essaie de quitter le siège pendant que le moteur fonctionne et que l'embrayage d'accessoire est engagé. Vous devez rester bien assis au milieu du siège pour éviter que le moteur hésite ou s'arrête quand le tracteur est utilisé sur un terrain accidenté ou des collines.

- Choisissez la hauteur de coupe désirée.
- Engagez les lames de tondeuse en déplaçant la commande d'embrayage d'accessoire à la position engagée (ENGAGED).
- POUR ARRÊTER LES LAMES DE TONDEUSE - Déplacez la commande d'embrayage d'accessoire à la position débrayée (DISENGAGED).

ATTENTION: N'utilisez pas la tondeuse sans le déflecteur ou sans le ramasse-herbe s'il y a lieu.

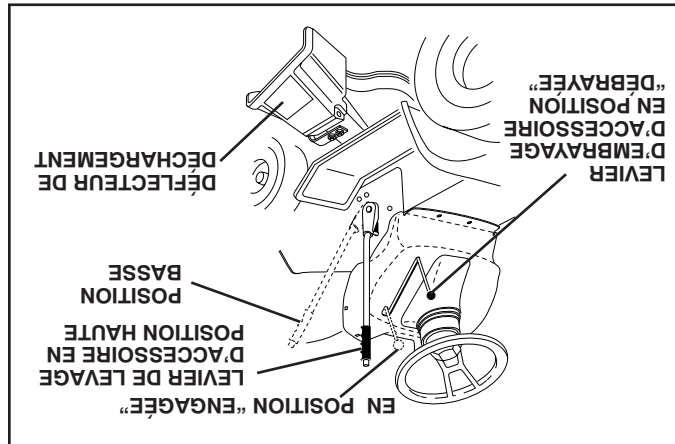


FIG. 6

UTILISATION

L'utilisation d'un tracteur présente le risque de projection des particules dans les yeux qui peuvent causer des blessures sérieuses. Portez toujours des lunettes de sécurité ou une visière pendant que vous utilisez, ou que vous faites des réglages ou des réparations au tracteur. Nous recommandons des lunettes de sécurité ou un masque large de sécurité porté au-dessus des lunettes.



COMMENT UTILISER VOTRE TRACTEUR

POUR ENGAGER LE FREIN DE STATIONNEMENT (Voir la Fig. 5)

Votre tracteur est muni d'un interrupteur de détection de présence d'opérateur. Le moteur s'arrêtera, si l'opérateur quitte le siège sans engager le frein de stationnement lorsque le moteur marche.

- Appuyez à fond sur la pédale de frein/embrayage à la position de frein (BRAKE). Maintenez le pied sur la pédale.
- Déplacez le levier de frein de stationnement à la position engagée (ENGAGED) et relâchez la pédale de frein/embrayage. La pédale devrait rester à la position de frein (BRAKE). Assurez-vous que le frein de stationnement retienne le tracteur sans risque.

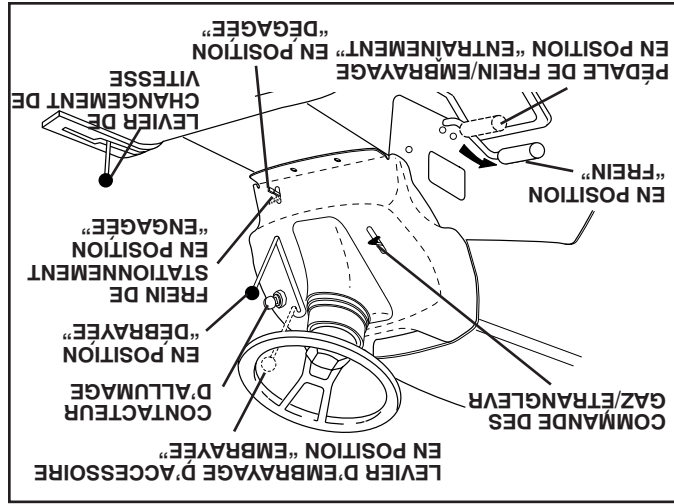


FIG. 5

POUR ARRÊTER (Voir la Fig. 5)

LAMES DE TONDEUSE -

- Pour arrêter les lames de tondeuse, bougez le levier d'embrayage d'accessoire à la position "Désengagée".
- Pour arrêter l'entraînement, abaissez complètement la pédale d'embrayage/frein à la position "Frein".
- Déplacez le levier de changement de vitesse à la position point mort (N).

MOTEUR -

- Placez la manette des gaz en position intermédiaire (entre rapide et lent).
- REMARQUE: Si vous oubliez de placer la manette en position intermédiaire, vous risquez de provoquer un "retour de flamme".
- Tournez la clé de contact à la position coupée STOP et enlevez-la. Enlevez toujours la clé de contact quand vous quittez le tracteur pour empêcher l'emploi non autorisé.

IMPORTANT: SILE CONTACT D'ALLUMAGE EST LAISSÉ À UNE AUTRE POSITION QUE OFF, LA BATTERIE SE DÉCHARGERAIT (À PLAT).

REMARQUE: Quand le tracteur marche au ralenti, les gaz d'échappement d'un moteur chaud peuvent causer des dommages au gazon. Pour éviter les dommages, coupez toujours le moteur quand vous arrêtez le tracteur sur le gazon.

ATTENTION: Arrêtez toujours le tracteur complètement, comme décrit ci-dessus, avant de quitter le tracteur, de vider le réservoir de masse-herbe, etc.



POUR UTILISER LA COMMANDE DES GAZ

(Voir la Fig. 5)

- Utilisez toujours le moteur à pleine vitesse (rapide). Faire fonctionner le moteur à une vitesse inférieure à sa vitesse maximale (rapide) réduit l'efficacité du moteur.
- Une pleine vitesse (rapide) permet une meilleure performance de la tondeuse.

POUR AVANCER ET POUR RECULER

(Voir la Fig. 5)

- La direction et la vitesse de déplacement sont commandées par le levier de changement de vitesse.
- Démarrez le tracteur avec la pédale de frein/embrayage baissée et le levier de changement de vitesse à la position point mort (N).
 - Déplacez le levier de changement de vitesse à la position désirée.
 - Relâchez lentement la pédale de frein/embrayage pour commencer le déplacement.

IMPORTANT: ASSUREZ-VOUS QUE VOUS ARRÊTIEZ COMPLÈTEMENT LE TRACTEUR AVANT DE CHANGER DE VITESSE. SI VOUS NE LE FAITES PAS, LA DURABILITÉ DE VOTRE TRANSMISSION RACCOURCIRA.

POUR RÉGLER LA HAUTEUR DE COUPE DE LA TONDEUSE (Voir la Fig. 5)

- La hauteur de coupe est commandée par la position du levier de levage d'accessoire.
- Empoignez le levier de levage.
 - Appuyez sur le plongeur avec le pouce et déplacez le levier à la position désirée.
- La plage de réglage de la hauteur de coupe est environ de 3,81 cm (1-1/2 po.) à 10,16 cm (4 po.). Les hauteurs sont mesurées du terrain à l'extrémité de la lame quand le moteur ne marche pas. Ces hauteurs sont approximatives et elles pourraient changer à cause des conditions du terrain, de la hauteur de l'herbe et des types d'herbe qui sont tondus.
- La pelouse doit être tondue à 6,35 cm (2-1/2 po.) pendant la saison fraîche et à plus de 7,62 cm (3 po.) pendant la saison chaude. Tondez souvent pour les meilleurs résultats.
 - Pour le meilleur rendement, si l'herbe mesure plus de 15,24 cm (6 po.), vous devez la tondre deux fois. La première fois laissez-la plutôt longue; et la deuxième fois à la hauteur désirée.

UTILISATION

CONNAISSEZ VOTRE TRACTEUR

AVANT D'UTILISER VOTRE TRACTEUR, LISEZ CE MANUEL DE PROPRIÉTAIRE ET LES RÈGLES DE SÉCURITÉ

Comparez les illustrations ci-dessous à celles de votre tracteur afin de vous familiariser avec l'emplacement des différentes commandes et avec les réglages. Gardez ce manuel pour référence.

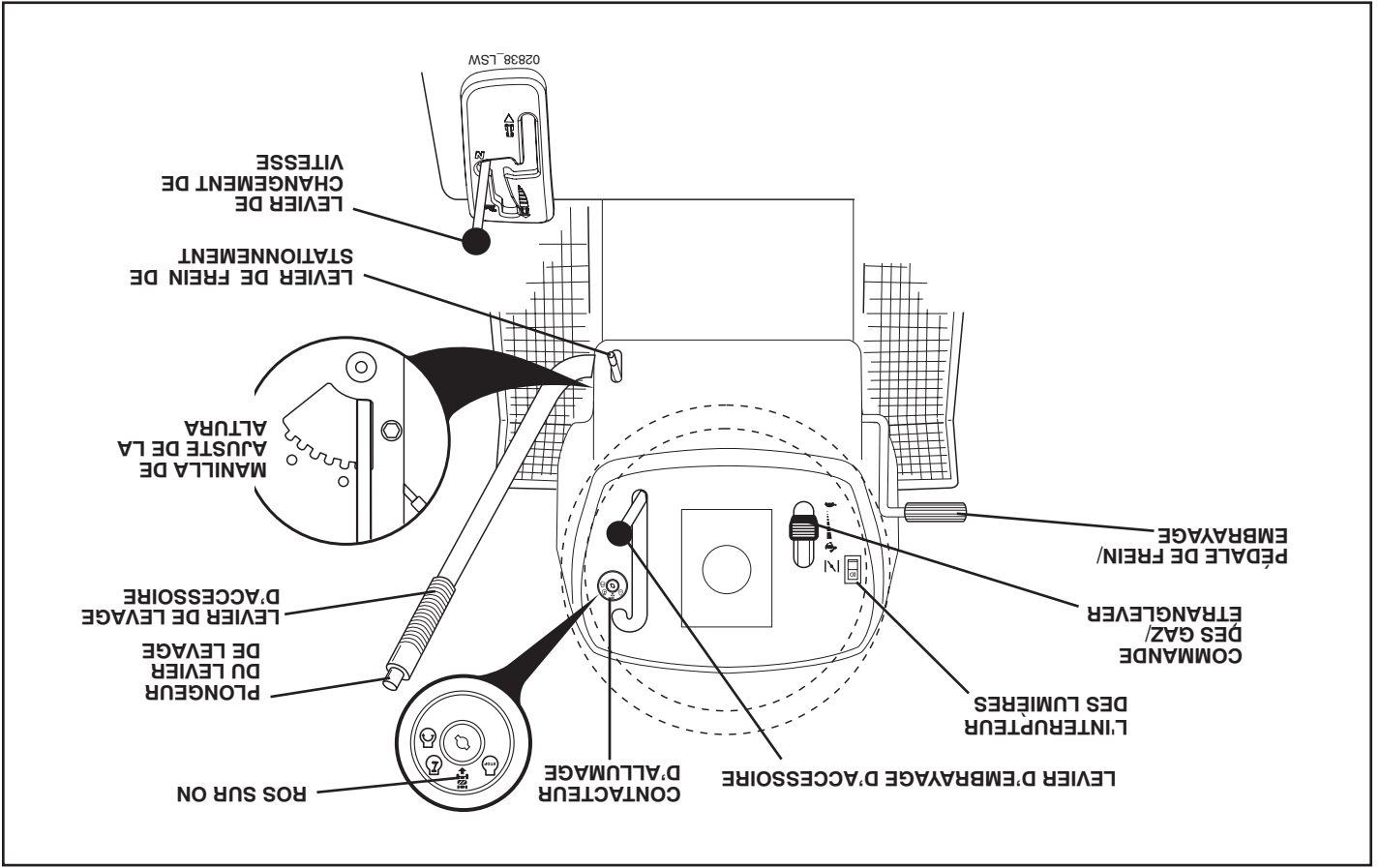


FIG. 4

Nos tracteurs conformément aux normes de sécurité de l'American National Standards Institute.

COMMANDE DES GAZ/ETRANGLEUR - permet de démarrer le moteur et de commander la vitesse de moteur
COMMUTATEUR DU SYSTÈME DE PRÉSENCE DE L'OPÉRATEUR (ROS) POSITION "ON" - Permet le fonctionnement de la plate-forme de faucheuse ou de tout autre attachement actionné tandis qu'à l'envers.
CONTACTEUR D'ALLUMAGE - permet de démarrer et de couper le moteur.
LEVIER DE CHANGEMENT DE VITESSE - permet la sélection de la vitesse et la direction du tracteur.
LEVIER D'EMBRAYAGE D'ACCESSOIRE - est utilisé pour engager les lames de tondeuse ou les autres accessoires montés au tracteur.

LEVIER DE LEVAGE D'ACCESSOIRE - permet de soulever et de baisser le carter de tondeuse ou les autres accessoires montés au tracteur.
LEVIER DU FREIN DE STATIONNEMENT - bloque la pédale de frein/embrayage en position de frein (BRAKE).
L'INTERRUPTEUR DES LUMIÈRES - permet d'allumer/éteindre les phares du tracteur.
PÉDALE DE FREIN/EMBRAYAGE - permet de débrayer la transmission, d'arrêter le tracteur et de démarrer le moteur.
PLONGEUR DE LEVAGE DE LEVAGE - relâche le levier de levage d'accessoire quand il y a un changement à sa position.

✓LISTE DE CONTRÔLE

AVANT D'UTILISER VOTRE TRACTEUR, NOUS VOULONS
NOUS ASSURER QUE VOUS RECEVREZ LE MEILLEUR
RENDMENT DE CE PRODUIT DE QUALITÉ ET QUE VOUS
EN SEREZ SATISFAIT.

LISEZ LA LISTE DE CONTRÔLE:

- ✓ Toutes les instructions ont été exécutées.
 - ✓ Il n'y a pas de pièces détachées dans le carton.
 - ✓ Vérifier le niveau de l'huile du moteur et remplissez le réservoir d'essence.
 - ✓ S'asseoir sur le siège, presser la pédale d'embrayage/du frein et engager le frein à main.
 - ✓ Placer le levier de vitesse en position neutre (N).
 - ✓ Presser le piston du levier de levage et placer le dispositif du levier du levage d'accessoire dans la position la plus haute.
 - ✓ Régler la clé du sac et démarrez le moteur (voir "POUR DÉMARRER" dans la section Fonctionnement de ce manuel).
Après le démarrage du moteur, déplacez la commande des gaz dans la position de point mort.
 - ✓ Presser la pédale d'embrayage/frein et la maintenir enfoncée.
 - ✓ Passer le levier de vitesse en première.
 - ✓ Relâcher lentement la pédale d'embrayage/frein et diriger à main et placer le levier de vitesse au neutre.
 - ✓ Tournez la clé à "Stop".
- Continuez selon les instructions suivantes

VÉRIFIER LA PRESSION DES PNEUS

Les pneus de votre tracteur ont été surgonflés à l'usine pour l'expédition. La pression de pneu correcte est importante pour les meilleurs résultats de tonte.

- Réduisez la pression à l'intérieur des pneus à la valeur en PSI indiquée sur ceux-ci.

VÉRIFIER SI LA TONDEUSE EST DE NIVEAU

Pour les meilleurs résultats de tonte, le boîtier de tondeuse doit être correctement nivelé. Référez-vous à la section "POUR NIVELER LE BOÎTIER DE TONDEUSE" dans la section Entretien et Réglages de ce manuel.

VÉRIFIER SI TOUTES LES COURROIES SONT CORRECTEMENT EN PLACE

Référez-vous aux figures qui sont illustrées pour le remplacement des courroies d'entraînement de lame de tondeuse et des courroies de déplacement dans la section Entretien et Réglages de ce manuel. Assurez-vous que toutes les courroies soient correctement en position dans les guides-courroie.

VÉRIFIER LE SYSTÈME DE FREIN

Après vous être familiarisé avec le fonctionnement de votre tracteur, vérifiez si les freins fonctionnent correctement. (Voir "POUR VÉRIFIER LES FREINS" dans la section Entretien et Réglages de ce manuel.)

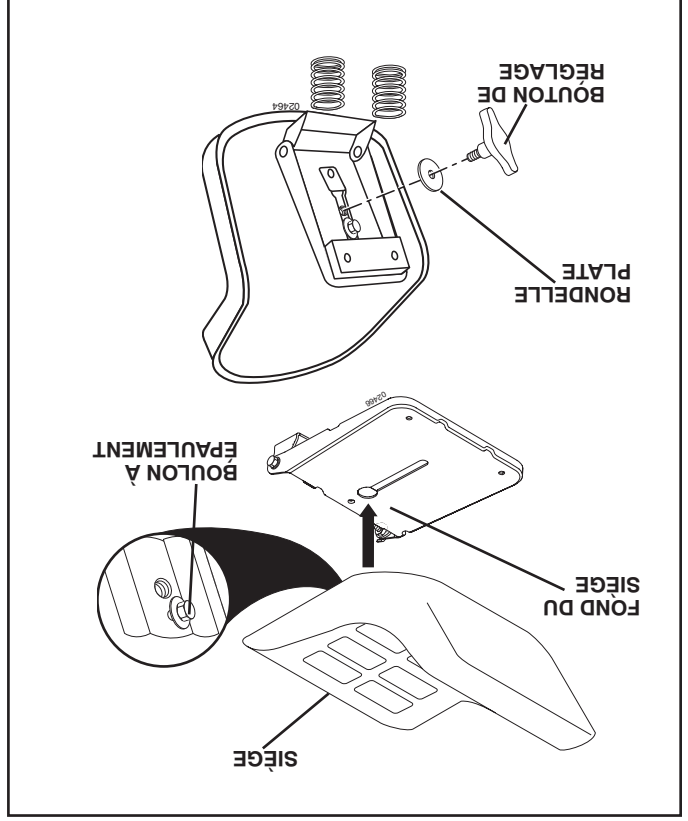
- PENDANT QUE VOUS APPRENEZ À UTILISER VOTRE TRACTEUR, FAITES ATTENTION AU:
- ✓ Niveau d'huile de moteur.
 - ✓ Réservoir d'essence (rempli d'essence sans plomb normale, fraîche, et propre).
 - ✓ Avant de démarrez le moteur, assurez-vous que vous comprenez la fonction et l'emplacement de toutes les commandes.
 - ✓ Assurez-vous que le système de frein fonctionne sans risque.
 - ✓ Vérifiez si le Système de présence de l'opérateur (ROS) fonctionne correctement (Cf. les chapitres Fonctionnement et Entretien de ce manuel).
 - ✓ Il est important de purger la transmission avant de démarrez votre tracteur pour la première fois. Suivez les instructions correctes pour le démarrage et la purge de la transmission (Référez-vous aux sections de "POUR DÉMARRER LE MO-TEUR" et "PURGER LA TRANSMISSION" dans le Manuel e l'utilisateur).

MONTAGE

COMMENT MONTER VOTRE TRACTEUR

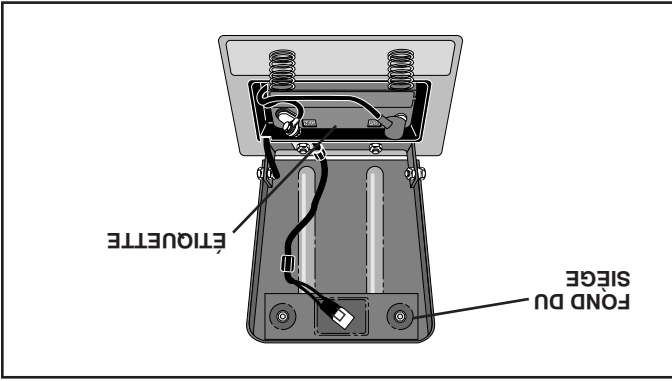
INSTALLER LE SIÈGE (Voir la Fig. 2)

- Réglez le bouton de serrer le siège avant de serrer le bouton de réglage.
- Enlevez le bouton de réglage et la rondelle plate qui fixent le siège à l'emballage et mettez-les de côté pour l'assemblage du siège au tracteur.
- Pivotez le siège vers le haut et enlevez-le de l'emballage. Débarassez-vous de l'emballage.
- Placez le siège sur son socle de façon à ce que la tête des boulons à épaulement se trouvent en face des grandes encoches du socle du siège.
- Poussez le siège vers le bas pour faire pénétrer les boulons à épaulement dans les encoches et tirez le siège vers l'arrière du tracteur.
- Pivotez le siège et le fond vers l'avant et montez le bouton de réglage et la rondelle plate sans les serrer.
- Mettez le siège dans la position d'utilisation et essayez-vous de régler et la rondelle plate sans les serrer.
- Glissez le siège à la position désirée. Vous devez pouvoir appuyer à fond sur la pédale de frein/embrayage.
- Descendez du tracteur. Ne déplacez pas le siège de sa position réglée.
- Soulevez le siège et serrez à fond le bouton de réglage.



VÉRIFIER LA BATTERIE (Voir la Fig. 3)

- Levez le fond du siège à la position élevée.
- Si cette batterie est mise en service après le mois ou l'année indiquée sur l'étiquette localisée entre les bornes), chargez la batterie pour un minimum d'une heure à 6-10 amps. (Voir "BATTERIE" dans la section Entretien de ce manuel).



POUR RETIRER LE TRACTEUR DE LA PALETTE EN LE FAISANT ROULER (Voir la section fonctionnement pour connaître l'emplacement et la fonction des commandes.)

- Abaissez le levier de levage du piston et, placez le levier de levage d'accessoire à la position la plus haute.
- Appuyez sur la pédale de frein/embrayage pour dégager le frein de stationnement.
- Mettez le levier du changement de vitesse à la position point mort (N).
- Retirez le tracteur hors de la palette en le faisant rouler. Enlevez le freinage qui tient le déflecteur de décharge contre le tracteur.

MONTAGE

Votre nouveau tracteur a été monté à l'usine sauf les pièces qui ne sont pas montées pour l'expédition. Pour assurer l'utilisation correcte et sûre de votre tracteur, toutes les pièces et la visserie que vous montez doivent être serrées à fond. Utilisez les bons outils pour assurer un fonctionnement sécuritaire.

LES OUTILS POUR LE MONTAGE DE VOTRE TRACTEUR

Un jeu de clé à douille rendra le montage. Les dimensions normales des clés sont inscrites.

- (1) Clé de 3/4" Manomètre à pneu
- (1) Clé de 1/2" Couteau tout usage

Pince

Quand on utilise l'expression "DROITE" ou "GAUCHE", elle signifie la droite ou la gauche à partir de la position derrière le volant de direction.

POUR SORTIR LE TRACTEUR DU CARTON

DEBALLER LE CARTON

- Enlevez toutes les pièces détachées et les petites boîtes contenant les pièces du carton.
- Couper le long des lignes pointillées sur les quatre surfaces de carton. Enlever les panneaux situés à chaque bout et étendre à plat les panneaux des côtés.
- Vérifiez s'il y a des pièces détachées et conservez-les.

AVANT DE RETIRER LE TRACTEUR DE LA PALETTE

FIXER LE VOLANT DE DIRECTION

(Voir la Fig. 2)

ASSEMBLER L'ARBRE DE RALLONGE ET LE MANCHON DE DIRECTION

- Glissez l'arbre de rallonge sur l'arbre de direction inférieur.
- Mettez les pattes du manchon de direction par-dessus les fentes dans le tabeau de bord et appuyez sur le manchon pour le fixer.

INSTALLER LE VOLANT DE DIRECTION.

- Assurez-vous que les roues antérieures du tracteur soient bien droites.
- Enlevez l'adaptateur du volant de direction et glissez-le sur l'arbre de direction.
- Placez le volant de direction afin que les barres transversales soient horizontales (gauche à droite) et glissez-les à l'intérieur de l'arbre et sur l'adaptateur du volant de direction.
- Assemblez la grande rondelle plate, 5/16 rondelle frein, 5/16 écrou hexagonal et serras à fond.
- Embotez la garniture du volant de direction dans le centre du volant de direction.
- Enlevez l'emballage du capot et de la calandre.

IMPORTANT: FAITES ATTENTION AUX AGRAFES DE LA PALETTE ET ENLEVEZ-LES. ELLES POURRAIENT CREVER LES PNEUS QUAND VOUS RETIREZ LE TRACTEUR DE LA PALETTE EN LE FAISANT ROULER.

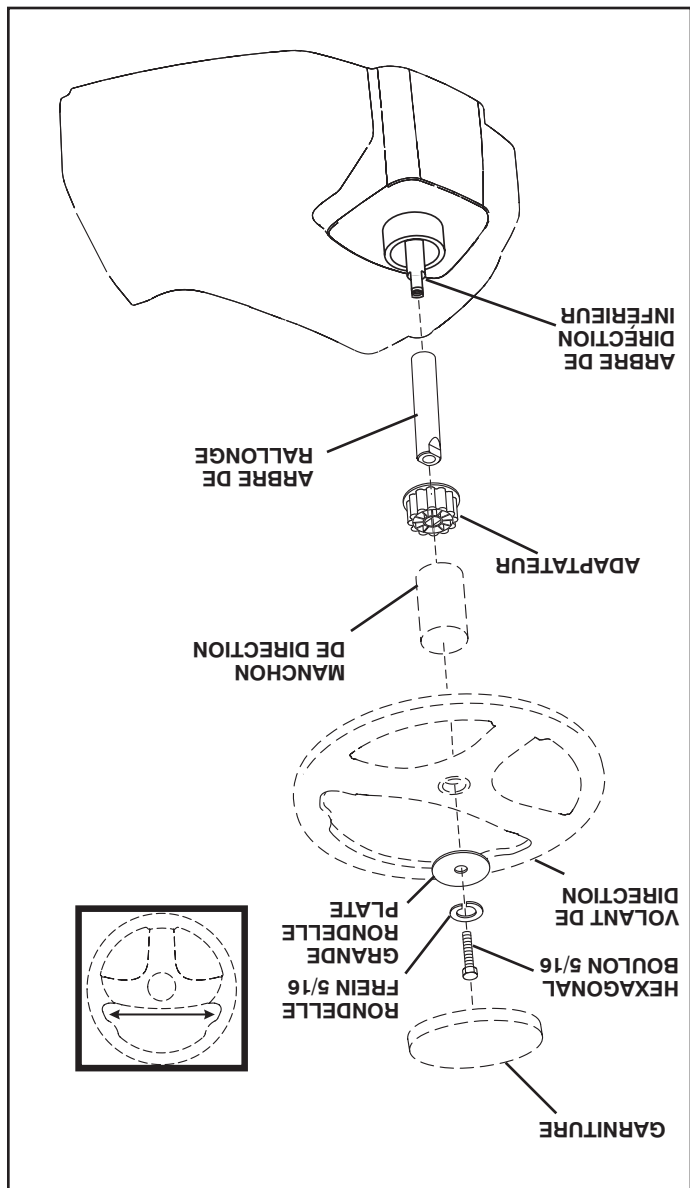
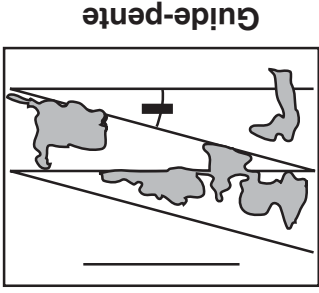
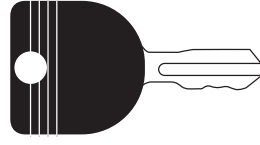


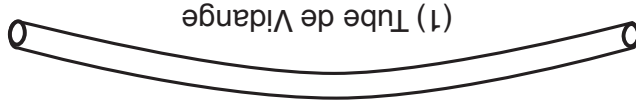
FIG. 1



Guide-pente



(2) Clés



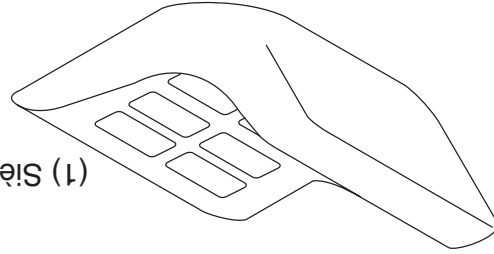
(1) Tube de Vidange



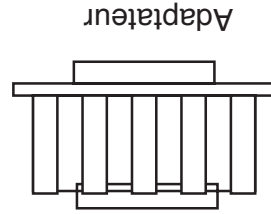
(1) Bouton de réglage



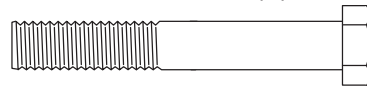
(1) Rondelle



(1) Siège



Adaptateur



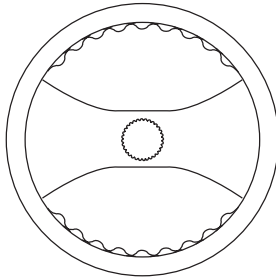
(1) Boulon



Manchon de direction



Serrure Rondelle

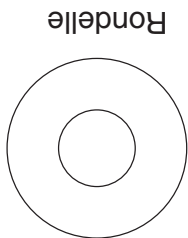
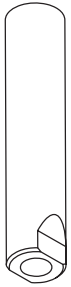


Volant de direction

Insert du volant de direction



Arbre de rallonge



Rondelle

PIÈCES NON MONTÉES

SPÉCIFICATIONS DE PRODUIT

Capacité et le type d'essence:	1,50 Gallons (5,6 L) L'essence sans plomb normale
Type d'huile (API-SG-SL):	SAE 30 (supérieure de 32°F/0°C) SAE 5W-30 (inférieure de 32°F/0°C)
Capacité d'huile:	Avec un filtre 56 oz (1,65L) Sans filtre 48 oz (1,4L)
Bougie d'allumage:	Champion RC12YC (Écart: 0,030 po/0,76 mm)
Vitesse de marche (mph/kmh):	Marche en avant: 1ère 1,1/1,8 2ème 1,4/2,3 3ème 2,2/3,5 4ème 3,3/5,4 5ème 4,3/6,9 6ème 5,5/8,2 Marche en arrière: 1,7/2,7
Système de chargement:	3 amps de batterie 5 amps des phares
Batterie:	AMP/HR: 28 MIN. CCA: 230 Dimension: U1R
Couple de rotation au boulon de lame:	45-55 ft.-lbs. (62-75 N/m)

FÉLICITATIONS pour votre achat. Ce tracteur a été conçu, perfectionné, et fabriqué pour assurer un rendement et sûreté maximum.

S'il survient d'un problème que vous ne pouvez pas résoudre, contactez le centre d'entretien autorisé le plus proche. Vous y trouverez des techniciens qualifiés équipés des outils appropriés pour faire l'entretien et la réparation de ce tracteur.

Veuillez lire et conserver ce manuel. Les instructions qu'il contient vous permettront de monter, et d'entretenir correctement votre tracteur. Observez toujours les "RÈGLES DE SÉCURITÉ".

RESPONSABILITÉS DU CLIENT

- Lisez et observez les règles de sécurité.
- Suivez un programme régulier d'entretien, et d'utilisation du tracteur.
- Suivez les instructions dans les sections Entretien et Entretien et Entretien autorisés le plus proche.

AVERTISSEMENT: Ce tracteur est équipé d'un moteur à combustion interne et il ne doit pas être utilisé sur ou près d'un terrain couvert d'arbres, d'arbustes, ou d'herbe si le système d'échappement n'est pas muni d'un pare-étincelles qui rencontre les exigences des lois locales applicables. Quand un pare-étincelles est utilisé, il doit être maintenu en bon état de fonctionnement par l'opérateur.

Un pare-étincelles pour le silencieux est disponible au centre d'entretien autorisé le plus proche.

SOMMAIRE

2-3	RÈGLES DE SÉCURITÉ
4	SPÉCIFICATIONS DE PRODUIT
4	RESPONSABILITÉS DU CLIENT
6-8	MONTAGE
9-14	UTILISATION
15	GUIDE D'ENTRETIEN
15-18	ENTRETIEN
19-23	RÉVISION ET RÉGLAGES
24	ENTREPOSAGE
25-26	GUIDE DE DÉPANNAGE
27	GARANTIE



Conseils pour l'utilisation en toute sécurité des tracteurs

RÈGLES DE SÉCURITÉ



III. ENFANTS

Des accidents tragiques peuvent avoir lieu si l'opérateur ne fait pas très attention en présence d'enfants. Les enfants sont souvent très attirés par la machine et par la tonde. Ne croyez jamais que les enfants restent immobiles à l'endroit où vous venez de les laisser.

- Les enfants doivent se tenir hors de la zone de tonde et sous la supervision d'un adulte responsable, autre que l'opérateur. Faites très attention et éteignez le moteur si un enfant pénètre dans la zone.
- Regardez toujours s'il n'y a pas d'enfants en bas âge vers le bas et vers l'arrière avant et pendant la marche arrière.
- Ne transportez jamais d'enfant même si les lames ne tournent pas. Ils pourraient tomber et se blesser gravement ou gêner le fonctionnement de la machine. Les enfants qui ont déjà été transportés auparavant risquent de se précipiter dans la zone de tonde pour faire un autre tour et d'être renversés par la machine.
- Ne laissez jamais les enfants utiliser la machine.
- Faites très attention à proximité des angles morts, des arbustes, des arbres ou d'autres objets susceptibles de cacher un enfant à la vue.

IV. REMORQUAGE

- Ne remorquez qu'un véhicule conçu pour l'attelage. N'accrochez l'appareil remorqué qu'au crochet d'attelage. Suivez les recommandations du fabricant quant aux limites de poids des appareils remorqués et au remorquage dans les pentes.
- Ne laissez jamais les enfants ou d'autres personnes à bord des appareils remorqués.
- Dans les pentes, le poids de l'appareil remorqué risque de provoquer une perte de traction ou de contrôle.
- Circulez lentement en maintenant les distances pour vous arrêter.

V. ENTRETEN

MANIPULATION SÛRE DE L'ESSENCE

- Manipulez l'essence avec une prudence extrême afin d'éviter les blessures personnelles et les dégâts matériels. L'essence est extrêmement inflammable et les vapeurs sont explosives.
- Éteignez les cigarettes, les cigares, les pipes et toutes les autres sources d'inflammation.
- N'utilisez que des récipients d'essence homologués.
- Il est strictement interdit d'ôter le capuchon du carburant ou d'ajouter du carburant lorsque le moteur est en marche. Laissez le moteur refroidir avant de faire le plein.
- Ne faites jamais le plein à l'intérieur.
- Ne rangez jamais la machine ou le récipient du carburant dans un endroit en présence d'une flamme libre, d'étincelles ou d'une flamme pilote, comme par exemple un chauffe-eau ou d'autres appareils.
- Ne remplissez jamais les récipients dans un véhicule ou un camion ou une remorque ayant un revêtement en plastique. Placez toujours les récipients au sol, loin du véhicule, avant de les remplir.
- Déchargez les appareils à essence du camion ou de la remorque et faites le plein au sol. Si cela est impossible, faites le plein avec un récipient portable plutôt qu'avec une pompe.
- Laissez la buse au contact du bord du réservoir d'essence.
- Remplissez la buse de l'opération de remplissage. N'utilisez pas de dispositif de verrouillage de la buse ouverte.
- Si du carburant tombe sur vos vêtements, changez-les immédiatement.

- Ne faites jamais déborder le réservoir. Remettez le capuchon de gaz en place et serrez solidement.

ENTRETEN GÉNÉRAL

- Ne faites jamais fonctionner la machine dans un endroit clos.
- Tous les écrous et les boulons doivent être bien serrés pour que l'appareil fonctionne en condition de sécurité.
- Ne bricolez jamais les dispositifs de sécurité. Vérifiez régulièrement leur bon fonctionnement.
- Libérez la machine des brins d'herbe, des feuilles ou autres débris accumulés susceptibles de toucher le tuyau d'échappement ou les parties chaudes du moteur et de brûler. Nettoyez l'huile ou le carburant versés et éliminez les débris imbibés de carburant. Laissez la machine refroidir avant de la ranger.
- Si vous heurtez un objet, arrêtez et inspectez la machine. Réparez-la au besoin avant de redémarrer.
- N'effectuez jamais ni réglages, ni réparations avec le moteur en marche.
- Vérifiez fréquemment les éléments du ramasse herbe et la protection l'évacuation et remplacez-les avec les pièces recommandées par le fabricant, en cas de besoin.
- Les lames de la tondeuse sont affûtées. Enveloppez les lames ou portez des gants et faites très attention pendant les opérations d'entretien.
- Vérifiez fréquemment le fonctionnement du frein. Effectuez les opérations de réglage et d'entretien requises.



- Conservez et remplacez au besoin les autocollants de sécurité et d'instruction.
- Vérifiez si personne ne stationne dans la zone avant de commencer. Si quelqu'un pénètre dans la zone arrêtez la machine.
- Ne portez jamais de passager.
- Ne tondez pas en marche arrière, sauf en cas de nécessité absolue. Regardez toujours vers le bas et vers l'arrière avant et pendant la marche arrière.
- Ne transportez jamais d'enfant même si les lames ne tournent pas. Ils pourraient tomber et se blesser gravement ou gêner le fonctionnement de la machine. Les enfants qui ont déjà été transportés auparavant risquent de se précipiter dans la zone de tonde pour faire un autre tour et d'être renversés par la machine.
- Les enfants doivent se tenir hors de la zone de tonde et sous la supervision d'un adulte responsable, autre que l'opérateur. Faites très attention et éteignez le moteur si un enfant pénètre dans la zone.
- Regardez toujours s'il n'y a pas d'enfants en bas âge vers le bas et vers l'arrière avant et pendant la marche arrière.
- Tondez les pentes en montant et en descendant (15° maxi), jamais transversalement.
- Faites très attention et éteignez le moteur si un enfant pénètre dans la zone.
- Évitez d'effectuer les démarrages, arrêts ou virages dans les pentes. Si les pneus n'adhèrent plus, dégagez les lames et procédez lentement vers le bas de la pente.
- Si la machine s'arrête en montée, dégagez les lames, engagez la marche arrière et reculez lentement.
- N'effectuez pas de virage dans les pentes si cela n'est pas strictement nécessaire, et dans ce cas tournez lentement et progressivement dans la descente.



RÈGLES DE SÉCURITÉ

Conseils pour l'utilisation en toute sécurité des tracteurs

DANGER: CET TRACTEUR PEUT AMPUTER LES MAINS, LES PIEDS ET PROJETER DES OBJETS. L'OBSERVATION DES RÈGLES DE SÉCURITÉ SUIVANTES PEUT ÊTRE LA CAUSE DE BLESSURES SÉRIEUSES ET MÊMES MORTELLES.

• Ne laissez jamais la machine en marche sans surveillance. Arrêtez toujours les lames, tirez le frein à main, arrêtez le moteur et enlevez les clés avant de descendre.

• Dégagez les lames lorsque vous ne tondez pas. Arrêtez le moteur et attendez que tous les éléments soient complètement arrêtés avant de nettoyer la machine ou d'enlever la ramasse herbe ou de libérer la protection de l'évacuation.

• Ne faites marcher la machine que le jour ou à la lumière artificielle.

• Ne faites pas marcher la machine si vous êtes sous l'influence de l'alcool ou de drogues.

• Faites attention à la circulation si vous opérez à proximité d'une route ou si vous la traversez.

• Faites très attention lorsque vous chargez la machine sur un camion ou une remorque.

• Portez toujours des lunettes de protection lorsque vous utilisez la machine.

• Les statistiques montrent que les accidents provoqués par des tondeuses autoportées sont plus fréquents chez les opérateurs de plus de 60 ans. Ces personnes doivent évaluer leur capacité de conduire une tondeuse en garantissant un niveau de sécurité adéquat à eux-mêmes et aux autres.

• Respectez les recommandations du fabricant au niveau des poids des roues et des contrepois.

• Libérez la machine des brins d'herbe, des feuilles ou autres débris accumulés susceptibles de toucher le tuyau d'échappement ou les parties chaudes du moteur et de brûler. Ne laissez pas le bas de la tondeuse cisailier des feuilles ou d'autres débris susceptibles de s'accumuler. Nettoyez l'huile et le carburant éventuellement versé avant d'utiliser ou de ranger la machine. Laissez la machine refroidir avant de la ranger.

• Tondez les pentes en montant et en descendant, jamais transversalement.

• Faites attention aux trous, aux ornières, aux bosses ou autres objets cachés. La machine risque de capoter sur les sols inégaux. L'herbe haute peut cacher des obstacles.

• Sélectionnez une vitesse soit faible afin de ne pas devoir ralentir ou changer de vitesse dans les pentes.

• Ne tondez pas sur l'herbe humide. Les pneus risquent de mal adhérer.

• Laissez toujours la machine embrayée lorsque vous descendez.

• Évitez d'effectuer les démarrages, arrêts ou virages dans les pentes. Si les pneus n'adhèrent plus, dégagez les lames et procédez lentement vers le bas de la pente.

• Dans les pentes n'effectuez que des mouvements lents et progressifs. Ne changez jamais brusquement de vitesse ou de direction afin de ne pas faire culbuter la machine.

• Faites très attention lorsque vous utilisez la machine avec un ramasse herbe ou d'autres accessoires ; ils risquent de nuire à la stabilité de la machine. Ne l'utilisez pas sur les pentes très raides.

• N'essayez pas de stabiliser la machine en mettant un pied à terre.

• Ne tondez jamais à proximité des ravins, des fossés ou des talus. La machine risque de culbuter à l'improviste par-dessus bord ou de précipiter si le bord s'éboule.

• Ne faites pas fonctionner la machine si le ramasse herbe, la protection de l'évacuation ou les autres dispositifs de sécurité ne sont en place et en bon état.

• Ralentissez avant de tourner.

• Ne portez jamais de passager.

• Ne tondez pas en marche arrière, sauf en cas de nécessité absolue. Regardez toujours vers le bas et vers l'arrière avant et pendant la marche arrière.

• Ne dirigez jamais le matériau déchargé vers qui que ce soit. Évitez de décharger le matériau contre un mur ou un obstacle. Le matériau risque de rebondir vers l'opérateur. Arrêtez les lames lorsque vous traversez des allées gravillonnées.

• Ne faites pas fonctionner la machine si le ramasse herbe, la protection de l'évacuation ou les autres dispositifs de sécurité ne sont en place et en bon état.

• Ralentissez avant de tourner.

• Ne faites pas fonctionner la machine si le ramasse herbe, la protection de l'évacuation ou les autres dispositifs de sécurité ne sont en place et en bon état.

• Ne faites pas fonctionner la machine si le ramasse herbe, la protection de l'évacuation ou les autres dispositifs de sécurité ne sont en place et en bon état.

• Ralentissez avant de tourner.

AVERTISSEMENT: Débranchez toujours le fil de bougie d'allumage et pour prévenir les démarrages accidentels, posez-le de telle façon qu'il ne puisse pas entrer en contact avec la bougie d'allumage lors de l'installation, du transport, des ajustements ou des réparations.

AVERTISSEMENT: Ne descendez pas les pentes à point mort, vous pourriez perdre la commande du tracteur.

AVERTISSEMENT: Remorquez seulement les accessoires recommandés par et selon les spécifications du fabricant de votre tracteur. Utilisez votre bon sens pendant que vous remorquez. Opérez seulement avec la vitesse la plus réduite pendant que vous allez sur une pente. Il est dangereux d'avoir un chargement trop lourd pendant que vous opérez sur une pente. Les pneus peuvent détruire la traction avec la terre et vous faire perdre la commande de votre tracteur.

AVERTISSEMENT: Certains composants des véhicules contiennent ou émettent des Des produits chimiques reconnus dangereux par l'Etat de la Californie, parce que cancérogènes ou tératogènes ou responsables d'autres troubles de la reproduction.

AVERTISSEMENT: Les bornes des batteries, ainsi que toutes les bornes et leurs accessoires contenant du plomb, des dérivés du plomb ou des produits chimiques à base de plomb, sont reconnus dangereux par l'Etat de la Californie, parce que cancérogènes ou responsables d'autres troubles de la reproduction. Lavez-vous soigneusement les mains après les avoir touchés.

I. FONCTIONNEMENT GÉNÉRAL

• Veuillez lire, comprendre et suivre les instructions que vous trouverez sur la machine et dans le manuel avant de commencer.

• Ne mettez ni vos mains ni vos pieds à proximité des parties tournantes ou sous la machine. Les orifices d'évacuation doivent être toujours libres.

• Seuls les adultes responsables doivent être autorisés à utiliser la machine.

• Débarassez la zone des objets comme les pierres, les jouets, les fils de fer, etc., susceptibles d'être prélevés et projetés par les lames.

• Vérifiez si personne ne stationne dans la zone avant de commencer. Si quelqu'un pénètre dans la zone arrêtez la machine.

• Ne portez jamais de passager.

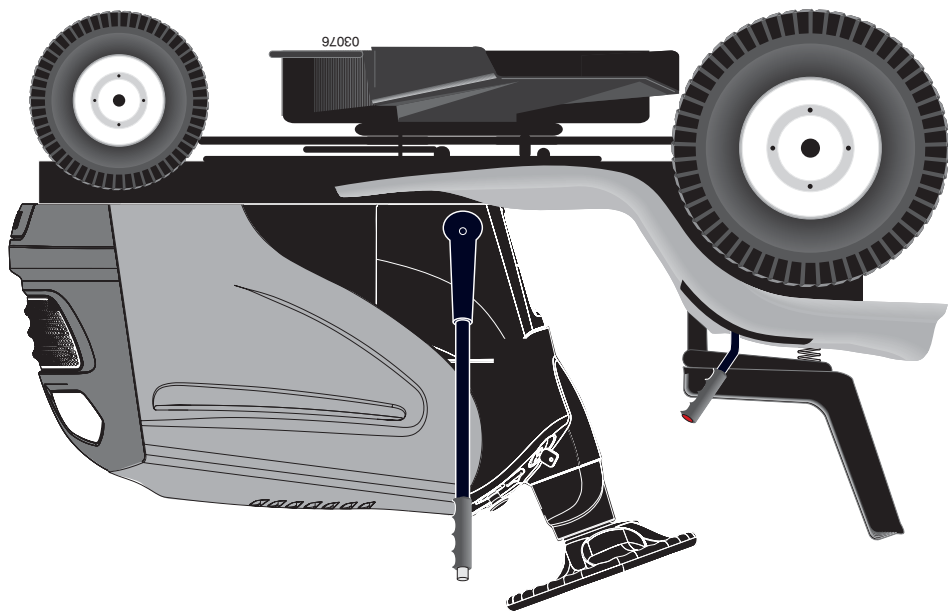
• Ne tondez pas en marche arrière, sauf en cas de nécessité absolue. Regardez toujours vers le bas et vers l'arrière avant et pendant la marche arrière.

• Ne dirigez jamais le matériau déchargé vers qui que ce soit. Évitez de décharger le matériau contre un mur ou un obstacle. Le matériau risque de rebondir vers l'opérateur. Arrêtez les lames lorsque vous traversez des allées gravillonnées.

• Ne faites pas fonctionner la machine si le ramasse herbe, la protection de l'évacuation ou les autres dispositifs de sécurité ne sont en place et en bon état.

• Ralentissez avant de tourner.

Poulan PRO



MANUEL DU PROPRIÉTAIRE

MODÈLE: PBA19542LTX TRACTEUR DE PELOUSE

Lisez soigneusement le manuel
suivez tous les avertissements et les
instructions de sécurité. Les blessures
sérieuses peuvent en résulter si
vous ne lisez pas ces avertissements
et instructions de sécurité.

AVERTISSEMENT:



Portez toujours des lunettes de sécurité lors de l'utilisation.

Visitez notre site web: www.poulan.com