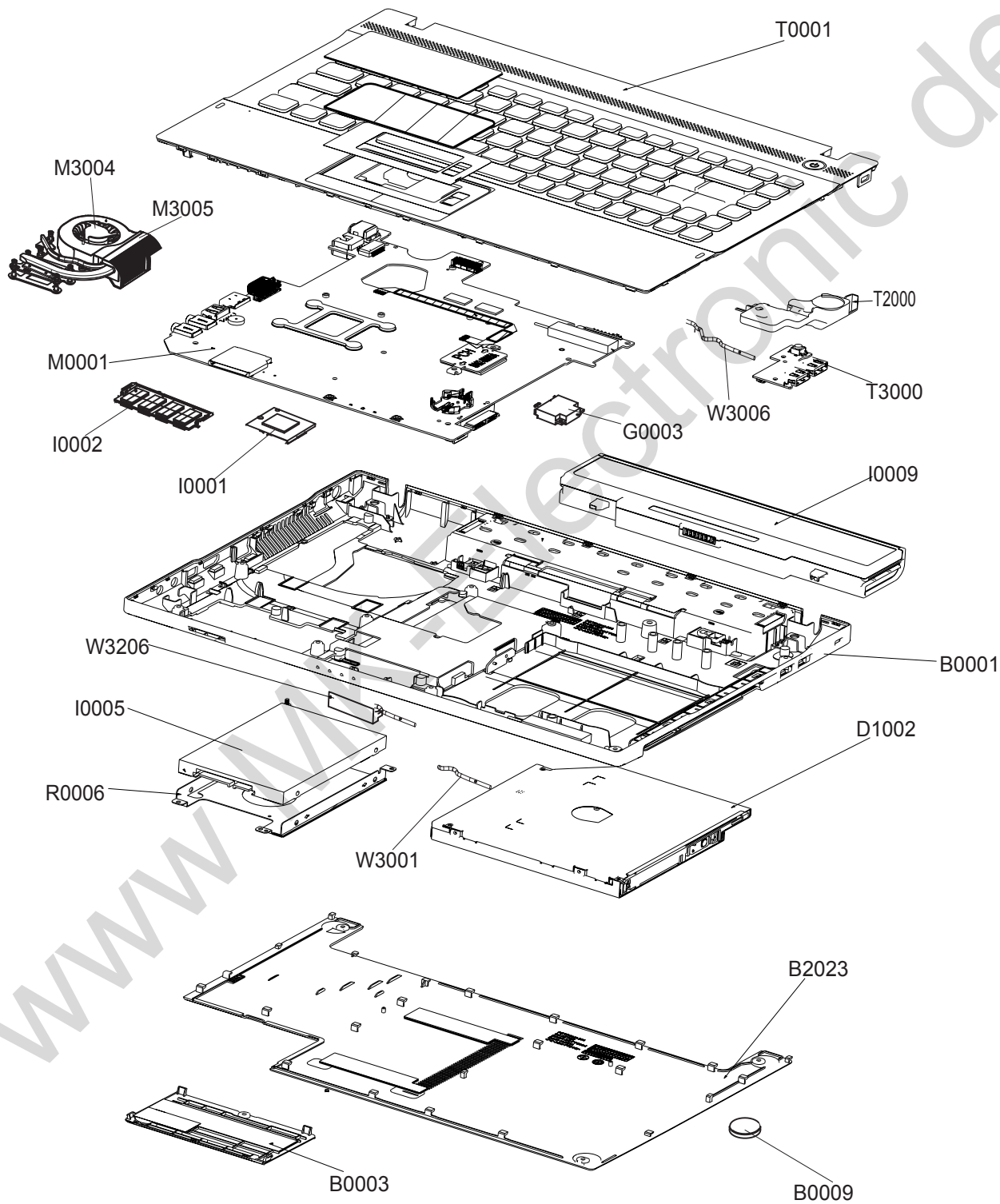


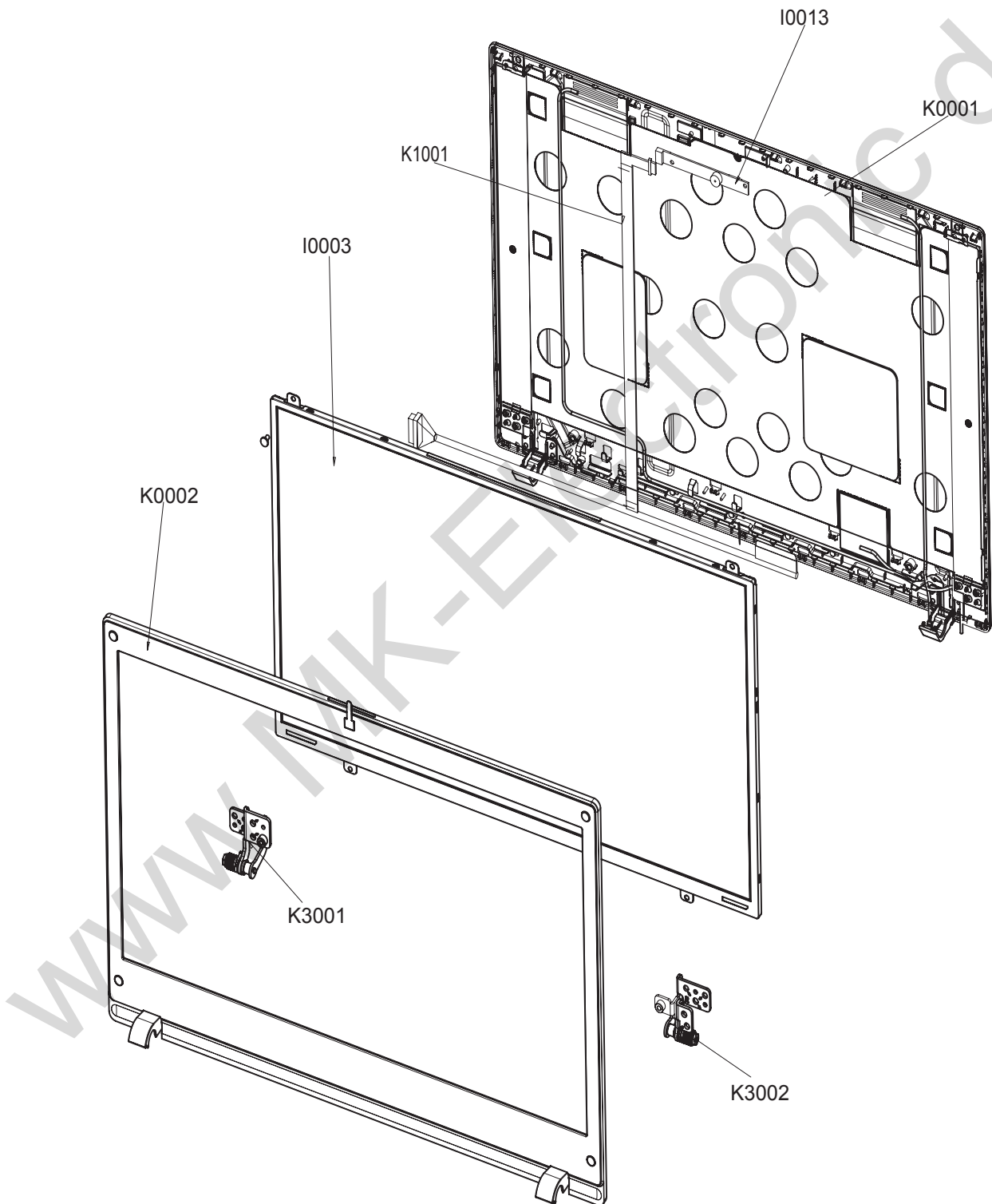
## 5. Exploded View

# SYSTEM



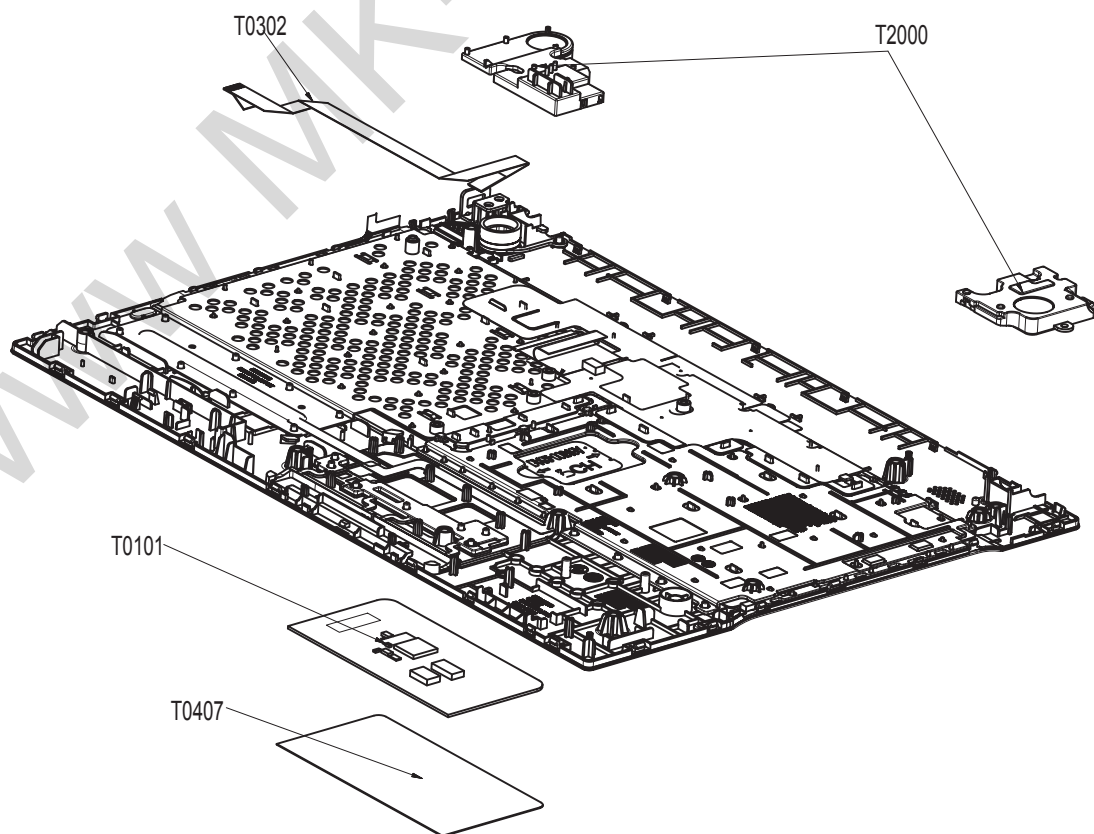
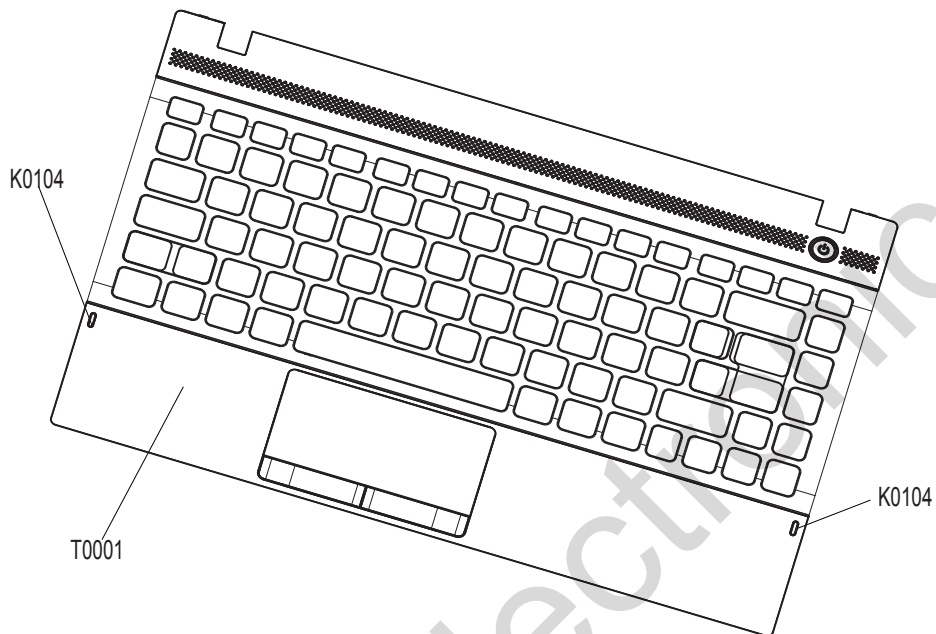
## 5. Exploded View

# ASSY-LCD



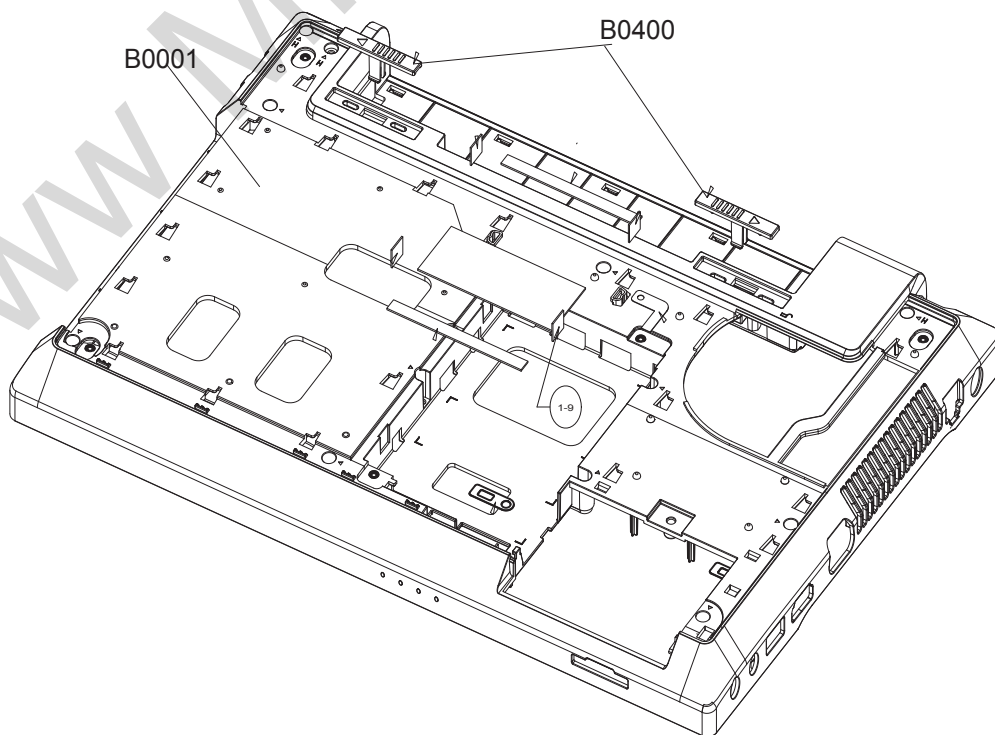
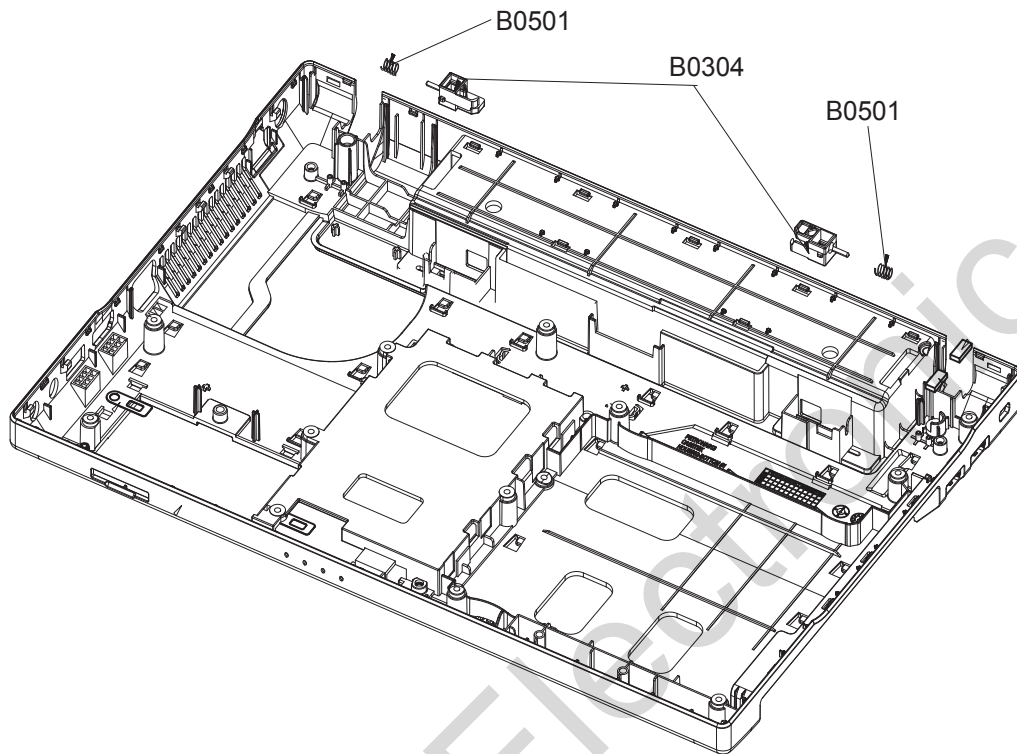
## 5. Exploded View

# UNIT-HOSUNG\_TOP



## 5. Exploded View

# UNIT-HOSUNG\_BOTTOM

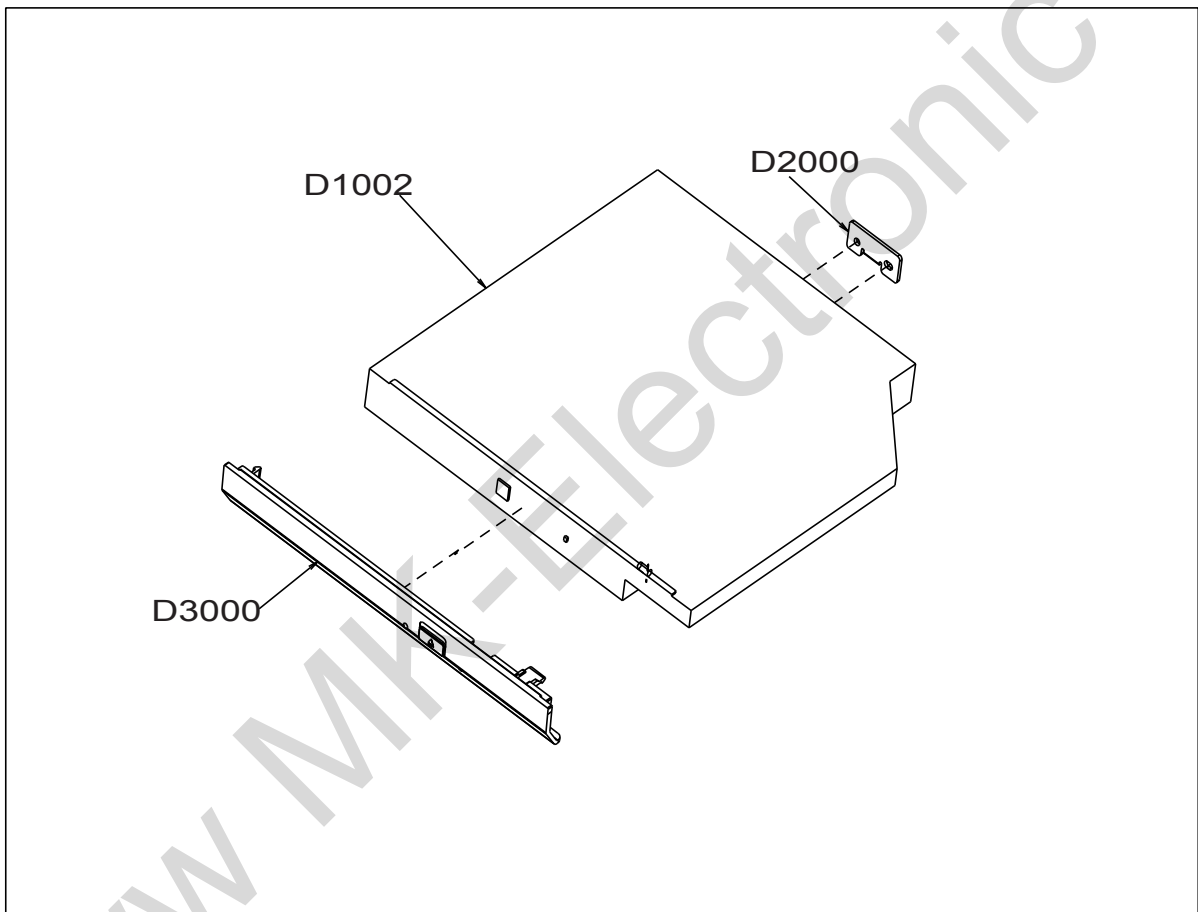


---

## 5. Exploded View

---

### Unit-ODD



Part List : NP305V5A-S01DE

Ver.	Location	Part Number	Part Name & Specification	Q'ty	SA/SNA	Parent Part
0001	A0010	3903-000444	CBF-POWER CORD;DT,EU/KR,CP3,IEC320 C5,25	1	SA	BA99-19553G
0001	A1001	BA46-12519A	S/W CD;RCD,NP/DT,WIN7HP64,1.0,ENG,FRE,GE	1	SA	BA99-19553G
0001	B0001	BA75-03228A	UNIT-HOUSING_BOTTOM;PETRONAS-15,SEC,PC/A	1	SA	NP305V5A-S01DE
0001	B0003	BA75-03332A	UNIT-DOOR_MEMORY;PETRONAS-15,SEC,PC/ABS,	1	SA	BA97-03334A
0001	B0009	BA81-11018A	RUBBER-FOOT;EUROPA14,SR,-,-,D13,-,H3.0mm	1	SA	BA75-03332A
0001	B0009	BA81-11018A	RUBBER-FOOT;EUROPA14,SR,-,-,D13,-,H3.0mm	3	SA	BA97-03334A
0001	B0013	BA61-01469A	DUMMY CARD-SD;PETRONAS14,ABS+PC,T2.0,W28	1	SA	NP305V5A-S01DE
0001	B0304	BA81-14201A	LINK-BATTERY;PETRONAS14,POM,T0.7,W23.8*L	2	SA	BA75-03228A
0001	B0400	BA81-14197A	KNOB-BATTERY;PETRONAS14,PC/ABS,T1.3,W34.	2	SA	BA75-03228A
0001	B0501	BA61-00780A	SPRING ETC-BATT;AQUILA-P,STS304,CD0.3,ID	2	SA	BA75-03228A
0001	B2023	BA75-03211A	UNIT-DOOR_MAIN;PETRONAS-15,SEC,PC/ABS,T1	1	SA	BA97-03334A
0001	D1002	BA59-02828A	DVD-SUPERMULTI;DS-8A5SH,8X,130ms,SATA,1.	1	SA	BA96-05713A
0001	D1002	BA59-02895A	DVD-MULTI;AD-7717H,8x,220ms,SATA,2MB,7.5	1	SA	BA96-05714A
0001	D1002	BA59-03116A	DVD-SUPERMULTI;SN-208BB,8X,170MS,SATA,1M	1	SA	BA96-05736A
0001	D2000	BA61-01473A	BRACKET-ODD;PETRONAS-14,SECC,T1.0,W27.0,	1	SA	BA97-03357A
0001	D3000	BA75-03213A	UNIT-BEZEL_ODD;PETRONAS-14,SEC,PC/ABS,W1	1	SA	BA97-03357A
0001	G0003	BA59-02572A	MODULE-WLAN;AR5B95,WLL6160-D99(ROHS),-,1	1	SA	NP305V5A-S01DE
0001	G0003	BA59-02573A	MODULE-WLAN;AR5B95,T77H121.05,-,1x1,Half	1	SC	NP305V5A-S01DE
0001	G3006	BA62-00605A	HEAT SINK-PCH;Petronas13/14/15,AL,T1,W45	1	SA	BA92-08673A
0001	I0001	0902-002787	IC-MICROPROCESSOR;AM3410HLX43GX,1.6GHz,F	1	SA	NP305V5A-S01DE
0001	I0002	1105-002211	IC-DRAM MODULE;M471B5273CHO-CH9,DDR3 4G	1	SA	NP305V5A-S01DE
0001	I0002	1105-002217	IC-DRAM;M471B5773CHS-CH9,DDR3 2G SODIMM,	1	SA	NP305V5A-S01DE
0001	I0005	BA59-02761A	HDD;640G,HM641JI,S63,H16,D16385,H9.5mm,2	1	SA	NP305V5A-S01DE
0001	I0005	BA59-02981A	HDD;640GB,HTS547564A9E384,S16,383,H16,C6	1	SA	NP305V5A-S01DE
0001	I0007	BA44-00242A	ADAPTOR;0335A1960,AD-6019R,19VDC,3.16A,-	1	SA	BA99-19553G
0001	I0009	BA43-00282A	BATTERY;3UR18650A-2-SDN-55,BREMEN,Li-ion	1	SA	NP305V5A-S01DE
0001	I0013	BA59-03090A	MODULE-CAMERA;SCB-1100N,NCM-137F,1.3M, H	1	SA	NP305V5A-S01DE
0001	K0001	BA75-03225A	UNIT-HOUSING_LCD-BACK_WLAN;PETRONAS-15,S	1	SA	NP305V5A-S01DE
0001	K0002	BA75-03209A	UNIT-HOUSING_LCD-FRONT;PETRONAS-15,SEC,P	1	SA	NP305V5A-S01DE
0001	K0007	BA68-07623A	LABEL-LOGO;Petronas-14DI,305V4A,PET+PC,T	1	SA	NP305V5A-S01DE
0001	K0007	BA68-07628A	LABEL-LOGO;Petronas-14DI,305V4A,PET+PC,T	1	SA	NP305V5A-S01DE
0001	K0007	BA81-06583A	BADGE-SAMSUNG;BONN,NI,T0.8,W60.0*L8.97mm	1	SA	BA75-03225A
0001	K0102	BA67-00307B	RUBBER-FRONT;JINMAO15,TPU,-,-,D5.0,-,T0.	4	SA	BA75-03209A
0001	K0104	BA81-04858B	RUBBER-FRONT;LYON,SILICON RUBBER,BLACK,W	2	SA	BA81-14645C
0001	K1001	BA39-01134A	CBF-LCD/CAMERA;PETRONAS15HD+FRC,WIRE,-,4	1	SA	NP305V5A-S01DE
0001	K1006	BA81-09035A	PROTECTOR-LCD_BACK;BREMEN-15L,PET XY53,T	1	SA	NP305V5A-S01DE
0001	K3001	BA61-01465A	HINGE-L;PETRONAS15,SUS,T1.2,W61.2,L23.5,	1	SA	BA97-03332A
0001	K3002	BA61-01466A	HINGE-R;PETRONAS15,SUS,T1.2,W61.2,L23.5,	1	SA	BA97-03332A
0001	K4001	BA61-01474A	BRACKET-PANEL_L;PETRONAS-15,SECC,T0.8,W4	1	SA	BA75-03367A
0001	K4001	BA75-03367A	UNIT-BRACKET_PANEL-L;PETRONAS-15,SEC,SEC	1	SA	BA97-03332A
0001	K4002	BA61-01475A	BRACKET-PANEL_R;PETRONAS-15,SECC,T0.8,W4	1	SA	BA75-03368A
0001	K4002	BA75-03368A	UNIT-BRACKET_PANEL-R;PETRONAS-15,SEC,SEC	1	SA	BA97-03332A
0001	L1004	BA68-20039A	LABEL-PPID_E;BLADE,-,PET,-,W50.8,L9mm,wh	2	SA	BA99-19553G
0001	L1004	BA68-20039A	LABEL-PPID_E;BLADE,-,PET,-,W50.8,L9mm,wh	4	SA	NP305V5A-S01DE
0001	M0001	BA92-08673A	ASSY MOTHER BD-TOP;PETRONAS-15DE,PGA,2G	1	SA	NP305V5A-S01DE
0001	M0008	BA92-08658A	ASSY BOARD-SUB_USB;PETRONAS-15,SUB USB	1	SA	NP305V5A-S01DE
0001	M1004	2203-001683	C-CER,CHIP;0.068nF,5%,50V,NP0,1608	2	SA	BA92-08673C
0001	M1004	2203-006000	C-CER,CHIP;1nF,10%,3000V,X7R,TP,4520	1	SA	BA92-08673C
0001	M1004	2203-006348	C-CER,CHIP;1000nF,10%,25V,X5R,TP,1608,0.	3	SA	BA92-08673D

Part List : NP305V5A-S01DE

Ver.	Location	Part Number	Part Name & Specification	Q'ty	SA/SNA	Parent Part
0001	M1006	3709-001595	CONNECTOR-CARD EDGE;204P,0.6mm,SMD-A,AU1	1	SA	BA92-08673D
0001	M1006	3709-001653	CONNECTOR-CARD EDGE;204P,0.6mm,SMD-A,Au,	1	SA	BA92-08673D
0001	M1006	3709-001661	CONNECTOR-CARD EDGE;9P,2.5mm,SMD-A,Au,2	1	SA	BA92-08673C
0001	M1008	3708-002883	CONNECTOR-FPC/FFC/PIC;25P,1.0mm,SMD-A,SN	1	SA	BA92-08673D
0001	M1008	3708-002892	CONNECTOR-FPC/FFC/PIC;6P,1.0mm,SMD-A,SnB	1	SA	BA92-08673D
0001	M1009	3711-000456	HEADER-BOARD TO CABLE;BOX,4P,1R,1.25mm,S	2	SA	BA92-08673D
0001	M1009	3711-007591	HEADER-BOARD TO CABLE;BOX,10P,1R,1.25mm,	1	SA	BA92-08673D
0001	M1009	3711-007597	HEADER-BOARD TO CABLE;BOX,4P,1R,1.25mm,S	2	SA	BA92-08673D
0001	M1009	3711-007614	HEADER-BOARD TO CABLE;BOX,4P,1R,1.25mm,S	2	SA	BA92-08673D
0001	M1009	3711-007616	HEADER-BOARD TO CABLE;BOX,10P,1R,1.25mm,	1	SA	BA92-08673D
0001	M1009	3711-007689	HEADER-BOARD TO CABLE;BOX,12P,1R,1.25mm,	3	SA	BA92-08673D
0001	M1009	3711-007777	HEADER-BOARD TO CABLE;BOX,40P,2R,1.00mm,	1	SA	BA92-08673D
0001	M1025	1203-006056	IC-POSI.ADJUST REG.;APL5930 KAI-TRG,SOP,	1	SA	BA92-08673C
0001	M1025	1203-006083	IC-POSI.ADJUST REG.;APL5336KAITRG,SOP-8P	2	SA	BA92-08673C
0001	M1025	1203-006151	IC-POSI.ADJUST REG.;APE8953MP-HF,SOP,8P,	1	SA	BA92-08673C
0001	M1025	1203-006342	IC-POSI.ADJUST REG.;AP1280MP-HF,MSOP-8,8	2	SA	BA92-08673C
0001	M1028	3722-003283	JACK-MODULAR;8P/8C,-,-,-,-,AU,1PORT	1	SA	BA92-08673D
0001	M1028	3722-003305	JACK-DC POWER;3P,3.0PI,Ni,BLK	1	SA	BA92-08673D
0001	M1028	3722-003324	JACK-PHONE;6P,AuF,BLK,ANGLE	2	SA	BA92-08673D
0001	M1029	2007-007617	R-CHIP;2.49Kohm,1%,1/10W,TP,1608	1	SA	BA92-08673C
0001	M1029	2007-008676	R-CHIP;80.6Kohm,1%,1/16W,TP,1005	1	SA	BA92-08673D
0001	M1031	3704-001603	SOCKET-IC;722P,PGA,AU,1.219mm	1	SA	BA92-08673D
0001	M1033	4301-000108	BATTERY-LI;3V,220mAH,CR2032,20x3.2mm,NO,	1	SC	BA92-08673A
0001	M1033	4301-001070	BATTERY-LI;3V,210mAH,CR2032,20x3.2mm,NO,	1	SA	BA92-08673A
0001	M1035	3404-001311	SWITCH-TACT;12VDC,50mA,100gf,6.0x6.0x5.0	1	SC	BA92-08673D
0001	M1037	0904-002646	IC-I/O CONTROLLER;Hudson M2 A13,FCBGA,65	1	SA	BA92-08673C
0001	M1037	1205-004287	IC-INTERFACE;ANX3110,QFN,64P,9x9mm,PLAST	1	SA	BA92-08673C
0001	M1043	3701-001758	CONNECTOR-HDMI;19P,2R,FEMALE,ANGLE,AU	1	SA	BA92-08673D
0001	M1046	1205-003967	IC-CODEC;ALC269Q-VB2-GR,QFN,48P,7x7mm,PL	1	SA	BA92-08673D
0001	M1049	1205-004159	IC-ETHERNET CONTROLLER;RTL8111E-VL-CG,QF	1	SA	BA92-08673C
0001	M1050	1107-001969	IC-NOR FLASH;MX25L1606EM2I-12G,16Mbit,16	1	SA	BA92-08673C
0001	M1050	1107-001991	IC-NOR FLASH;GD25Q16SCP,16Mbit,1Mx16,SOP	1	SA	BA92-08673C
0001	M1051	0904-002644	IC-GRAPHIC CONT.;216-0809000,FCBGA,962P,	1	SA	BA92-08673D
0001	M1053	0904-002612	IC-MEMORY CONT.;AU6437,QFN,28P,5x5mm,48,	1	SA	BA92-08673C
0001	M1057	1203-005332	IC-PWM CONTROLLER;TPS51125RGER,QFN,24P,4	1	SA	BA92-08673D
0001	M1057	1203-005536	IC-PWM CONTROLLER;TPS51117RGRYR,QFN,14P,3	3	SA	BA92-08673C
0001	M1057	1203-006144	IC-PWM CONTROLLER;ISL95870BHRZ-T,QFN,20P	1	SA	BA92-08673C
0001	M1057	1203-006793	IC-PWM CONTROLLER;ISL6267HRZ-T,TQFN,48P,	1	SA	BA92-08673C
0001	M1059	1205-003913	IC-SWITCH;G546A4P1UF,SOP-8,8P,4.9x6x1.55	1	SA	BA92-08673C
0001	M1059	1205-004050	IC-SWITCH;G546A2RD1D,SON,8P,3x3mm,PLASTI	1	SA	BA92-08673D
0001	M1078	3722-003270	JACK-USB;4P/1C,AU,BLK,ANGLE,A	1	SA	BA92-08673D
0001	M1078	3722-003317	JACK-USB;4P/1C,AU,BLK,ANGLE,A	2	SA	BA92-08673D
0001	M3004	BA31-00108A	FAN-CPU(QC);KSB0705HA-BC53,Petronas14/15	1	SA	NP305V5A-S01DE
0001	M3004	BA31-00108B	FAN-CPU(QC);OFA5M0000H-1,Petronas14/15-Q	1	SA	NP305V5A-S01DE
0001	M3005	BA62-00611A	HEAT SINK-QC;Petronas15-QC,AL,t14.8,W130	1	SA	NP305V5A-S01DE
0001	M9999	0501-000465	TR-SMALL SIGNAL;MMBT3904,NPN,350mW,SOT-2	1	SA	BA92-08673D
0001	M9999	1205-002596	IC-SWITCH;TPS2062,SOIC,8P,5x6x1.65mm,PLA	1	SA	BA92-08673C
0001	M9999	1205-003683	IC-SWITCH;TPS2062ADRBR,SON,8P,3x3mm,Plas	1	SA	BA92-08673D
0001	M9999	1209-001887	IC-SENSOR;EMC2112-BP-TR,QFN,20P,4x4mm,PL	1	SA	BA92-08673C

Part List : NP305V5A-S01DE

Ver.	Location	Part Number	Part Name & Specification	Q'ty	SA/SNA	Parent Part
0001	M9999	2007-000309	R-CHIP;10ohm,5%,1/10W,TP,1608	4	SA	BA92-08673C
0001	M9999	2007-007274	R-CHIP;27.4Kohm,1%,1/10W,TP,1608	3	SA	BA92-08673D
0001	M9999	2007-007441	R-CHIP;562ohm,1%,1/10W,TP,1608	1	SA	BA92-08673C
0001	M9999	2203-001201	C-CER,CHIP;0.007nF,0.5pF,50V,NP0,TP,1005	2	SA	BA92-08673C
0001	M9999	2203-006048	C-CER,CHIP;100nF,10%,10V,X7R,TP,1005	54	SA	BA92-08673D
0001	M9999	2203-006090	C-CER,CHIP;10000nF,10%,6.3V,X5R,TP,2012	6	SA	BA92-08673D
0001	M9999	2203-006824	C-CER,CHIP;4700nF,10%,10V,X5R,1608	5	SA	BA92-08673D
0001	M9999	3003-001158	MIC-CONDENSOR;4.5V,-,-42dB,2.2kOhm	1	SA	BA92-08673C
0001	M9999	3708-002166	CONNECTOR-FPC/FFC/PIC;25P,1.0mm,SMD-A,AU	1	SA	BA92-08673D
0001	M9999	3708-002402	CONNECTOR-FPC/FFC/PIC;6P,1.0mm,SMD-A,SnB	1	SA	BA92-08673D
0001	M9999	3709-001398	CONNECTOR-CARD EDGE;52P,0.8mm,SMD-A,AU,M	1	SA	BA92-08673D
0001	M9999	3709-001526	CONNECTOR-CARD SLOT;9P,2.5mm,SMD-A,Au,2	1	SC	BA92-08673C
0001	M9999	3709-001614	CONNECTOR-CARD SLOT;204P,0.6mm,SMD-A,AU,	1	SA	BA92-08673D
0001	M9999	3711-000386	HEADER-BOARD TO CABLE;BOX,10P,1R,1.25MM,	1	SA	BA92-08673D
0001	M9999	3711-007285	HEADER-BATTERY;NOWALL,7P,1R,2.50mm,ANGLE	1	SC	BA92-08673D
0001	R0006	BA75-03224A	UNIT-BRACKET_HDD;PETRONAS-14,SEC,EGIO85,	1	SA	BA97-03334A
0001	T0001	BA75-03215C	UNIT-HOUSING_TOP;PETRONAS-15,SEC,PC/ABS,	1	SA	NP305V5A-S01DE
0001	T0005	BA68-06739A	LABEL-DISQ;SCALA2-15,GERMANY,PET+PC,-,W3	1	SA	NP305V5A-S01DE
0001	T0011	BA68-05474A	LABEL-WIN7_OS-LOGO;N/P ALL,WINDOWS7,PET,	1	SA	NP305V5A-S01DE
0001	T0101	BA59-03097A	BOARD-TOUCHPAD;Petronas,S9953C-11H0,-,To	1	SA	BA75-03215C
0001	T0302	BA41-01621A	FFC-TP;PETRONAS14,SR1.0,-,6P,TO.3,L142*7	1	SA	BA75-03215C
0001	T0407	BA81-14631A	INSULATOR-TOUCHPAD;PETRONAS-15,PC,L101.8	1	SA	BA75-03215C
0001	T2000	BA96-05759A	ASSY SPEAKER;Petronas14,-,130/185mm,RED/	1	SA	BA75-03215C
0001	W0100	BA81-15061A	INSULATOR-HDD_MB;PETRONAS-15,PC SHEET,W7	1	SA	BA92-08673A
0001	W0100	BA81-15074A	INSULATOR-HINGE_L;PETRONAS-15,PC SHEET,W	1	SA	BA92-08673A
0001	W0100	BA81-15075A	INSULATOR-HINGE_R;PETRONAS-15,PC SHEET,W	1	SA	BA92-08673A
0001	W1002	BA39-01129A	CBF HARNESS-HDD;PETRONAS13,WIRE,-,12P,L7	1	SA	NP305V5A-S01DE
0001	W2004	1203-005591	IC-POSI.ADJUST REG.;RT9179GB,SOT-23,5P,3	1	SA	BA92-08673C
0001	W2004	3709-001506	CONNECTOR-CARD EDGE;52,0.8,SMD-A,AU,MINI	1	SC	BA92-08673D
0001	W3001	BA39-01131A	CBF HARNESS-ODD;PETRONAS15,WIRE,-,12P,L1	1	SA	BA75-03215C
0001	W3006	BA39-00946A	CBF HARNESS-USB_SUB-BOARD;CANNES,WIRE,-,	1	SC	NP305V5A-S01DE
0001	W3021	BA42-00325A	ANTENNA-WLAN;81.EHD15.G50,Petronas-14,2.	1	SA	BA75-03215C
0001	W3022	BA42-00326A	ANTENNA-WLAN;81.EHD15.G49,Petronas-15,2.	1	SA	BA75-03225A
0001	W4002	6001-001480	SCREW-MACHINE;CH,+,M3,L4.0,ZPC(BLK),SWRC	4	SA	BA97-03334A
0001	W4002	6001-002253	SCREW-MACHINE;CH,+,M2,L6,ZPC(BLK),SWRCH1	30	SA	BA97-03334A
0001	WAR01	BA68-03159A	LABEL SERVICE-WARRANT;AQUILLA-SO,DOM,PAP	1	SA	BA75-03332A