



.....
Medalist SL Family
.....
540sl, 851sl
.....
1080sl, 1270sl
.....
ATA Interface Drives
.....
Installation Guide
.....

Contents

Introduction	1
Before you begin...	3
Configuring the drive	5
Attaching the cables	8
Mounting the drive	10
Transferring the software from the drive	11
Configuring the computer	13
Determining whether your BIOS accepts more than 528 Mbytes	14
Solutions for surpassing the 528-Mbyte barrier	14
Using the EZ-Drive installation software	15
Standard setup	20
Partitioning and formatting the drive	21
Windows 32-bit disk access	23
Basic troubleshooting	25
Advanced troubleshooting	26
Technical support services	34
Storing and shipping your drive	37

© 1995 Seagate Technology, Inc. All rights reserved

Publication Number: 36342-101, Rev. A, November 1995

Supersedes Publication Number 36309-xxx

Seagate, Seagate Technology, SeaFAX, SeaFONE, SeaBOARD and the Seagate logo are registered trademarks of Seagate Technology, Inc. Medalist and SeaTDD are trademarks of Seagate Technology, Inc. EZ-Drive and Maximum Overdrive are trademarks of Micro House International, Inc. Other product names are registered trademarks or trademarks of their owners.

Seagate reserves the right to change, without notice, product offerings or specifications. No part of this publication may be reproduced in any form without written permission from Seagate Technology, Inc.

Introduction

Thank you for choosing a Seagate® drive. The purpose of this guide is to assist you with installing your new hard drive. Its organization outlines the complete installation process from handling the drive in "Before you begin..." to offering troubleshooting suggestions and technical support information. The topics discussed are:

- Handling your drive (see "Before you begin..." on page 3)
- Configuring the drive
- Attaching cables to the drive
- Mounting the drive
- Configuring the computer
- Troubleshooting
- Where to call for Seagate technical support

Seagate provides installation software, EZ-Drive, and a 32-bit disk access driver for Windows, SEG32BIT.386, that allows the computer to surpass the 528-Mbyte barrier when it is imposed. The software is stored on the drive and must be transferred to a diskette in Drive A before you partition and format the drive. A program called Seamove is provided to make the transfer easy.

We hope your installation goes smoothly, but if complications arise, a list of common symptoms and solutions is provided in the troubleshooting section. If the problem persists, contact your dealer first. Your dealer is familiar with system integration and the conflicts that may arise. If you need additional help or information about Seagate products, numbers for Seagate technical support services are listed on pages 34–36.

Drive features				
Model	ST5540A	ST5851A	ST51080A	ST51270A
Formatted Capacity Mbytes	541	854.6	1,083	1,282
Cylinders	1,050	1,656	2,100	2,485
Heads	16	16	16	16
Sectors	63	63	63	63
Average seek time	10.5 msec			
Cache (segmented)	128 Kbytes			
Spindle speed	5,376 RPM			
External transfer rate	16.6 ¹ Mbytes per second max.			
Average sustained transfer rate	3.5 ¹ Mbytes per second			
LBA	Supported			
Multiple block read/write	Supported			
PIO modes	0, 1, 2, 3, 4			
Multiword DMA	0, 1, 2			
Power-management	Supported			
Data streaming	Supported			

1. To achieve optimal performance, your computer must support PIO mode 4 or multiword DMA mode 2. If these modes are not supported, you can upgrade your system with a host adapter that supports them. Ask your computer reseller for details.

Before you begin...

The drives in this manual are referred to by their model numbers: ST5540A for the Medalist 540sl, ST5851A for the Medalist 851sl, ST51080A for the Medalist 1080sl and ST51270A for the Medalist 1270sl.

Application. Your Seagate drive is designed for IBM AT and compatible personal computers. It uses the ATA interface. It is intended for use with UL-listed computers or similar products.

Drive handling. Your drive is vulnerable to damage from rough handling and static discharge. Do not drop your drive. Do not remove the seals and labels on the drive. The drive warranty is voided if the seals and labels are removed.

Static discharge. Your drive contains components that can be damaged by static discharge. Static damage can be cumulative and may not manifest immediately. Observe these precautions:

- Ground yourself before handling the drive. Wear a ground strap that is properly connected to earth ground, or touch the metal of a power supply that is plugged into a wall outlet while handling the drive.
- Keep the drive in its antistatic bag until you are ready to install it. Do not attach any cables to the drive while it is in its bag.
- Handle the drive gently and only by its edges or frame. Place it on an antistatic surface until you are ready to install it.
- Do not touch the drive's connector pins or printed circuit board.

Inspection. Use the handling precautions listed above when you inspect the drive. If it appears to be damaged, call your distributor or dealer immediately.

Warranty. Your drive comes with a three-year limited warranty.

Note. With regards to the EZ-Drive and SEG32BIT.386 software, there are no warranties, express or implied, including, but not implied, warranties of merchantability or fitness for a particular purpose. All such warranties are expressly and specifically disclaimed.

Maintenance and repair. Seagate drives do not require maintenance. The head/disc assembly is sealed; a broken seal voids the warranty. Seagate customer service centers are the only facilities authorized to repair Seagate drives. Seagate does not sanction any third-party repair facilities.

Sicherheitsanleitung

1. Das Gerät ist ein Einbaugerät, das für eine maximale Umgebungstemperatur von 55°C vorgesehen ist.
2. Zur Befestigung des Laufwerks werden 4 Schrauben 6-32 UNC-2A benötigt. Bei seitlicher Befestigung darf die maximale Länge der Schrauben im Chassis nicht mehr als 3,3 mm und bei Befestigung an der Unterseite nicht mehr als 5,08 mm betragen.
3. Als Versorgungsspannungen werden benötigt:
+5V \approx 5% 0,6A
+12V \approx 5% 0,8A (1,9A für ca. 30 Sek. für \approx 10%)
4. Die Versorgungsspannung muss SELV entsprechen.
5. Alle Arbeiten auf dem Festplatte dürfen nur von Ausgebildetem Servicepersonal durchgeführt werden. Bitte schaffen Sie Festplatteetiketten nicht weg.
6. Der Einbaudes Drives muss den Anforderungen gemäss DIN IEC 950V DC 0805/05.90 entsprechen.

Warning. Turn off the computer before you remove its cover. Turn off the power before you install or remove any adapter card or the drive.

Caution. Special training or tools may be required to service laptop computers. Removing the cover may void your warranty. Review the terms and conditions of your warranty before removing the cover.

Configuring the drive

Required materials:

- 2-mm jumper connector (supplied as spare jumpers)

Your Seagate drive is configured using the options jumper block shown in Figure 1 on page 6. The option settings are shown in Figure 2 on page 7. You can configure the drive:

- For one- or two-drive operation.
- To be the master or slave drive.
- To operate as the master with drives that use a different master/slave timing protocol.
- For computers that use cable-select.
- To use a remote drive-activity LED.

To configure the drive, attach a jumper to the pins on the options jumper block for the desired option. The configuration options are:

Spare jumper. Spare jumpers are provided on pins 2 and 4 and on pins 6 and 8 for configuring your drive. These settings are not used to configure the drive. The jumper is a 2-mm connector. If you use a larger connector, you may damage the jumper-block pins.

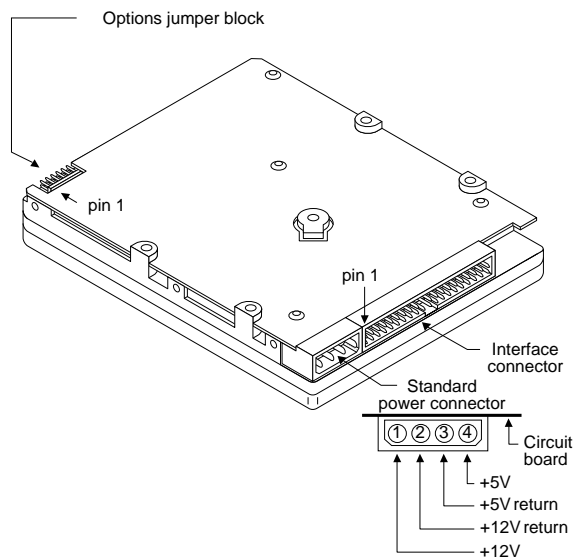


Figure 1. Drive connectors

One-drive only. Use this configuration if there are no other drives attached to the hard disc controller.

Master with slave present. Use this configuration if the drive is the first of two drives in your system. The master drive is Drive 0 in the System Setup record.

Slave. Use this configuration if the drive is the second drive in the system. The slave is Drive 1 in the System Setup record.

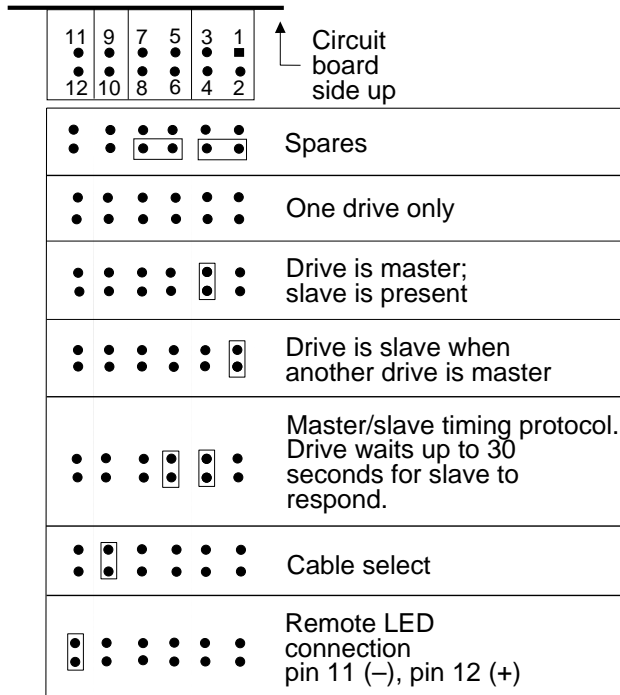


Figure 2. Options jumper block settings

Master/slave timing protocol. This protocol involves the communication between the computer and the disc drives during the boot cycle only. The computer queries the master drive for the status of both drives. The slave must report its status to the master within a certain time period. If it does not respond, a timeout error is issued and the computer does not identify the slave. Place a jumper on pins 3 and 4 and on pins 5 and 6 to extend the time period to 30 seconds that the Seagate master waits for the slave to respond.

Cable-select. Use this configuration if your computer uses cable-select. Refer to your computer user's manual.

Remote LED. Place the ground wire side of the remote drive-activity LED connector, usually the black wire, on pin 11 (-) and the other side on pin 12 (+) of the options jumper block. The LED may be damaged if the cable is attached incorrectly.

Attaching the cables

Required materials:

- A four-conductor power-supply cable
- A 40-conductor interface cable with a 40-pin, female interface connector for each drive you want to attach.

Note. To ensure the integrity of your data, use a nonshielded cable with a maximum length of 18 inches (46 centimeters).

1. **Attach the interface cable.** Pin 1 on the drive must align with pin 1 of the hard-disc controller connector. Use the edge-stripe on the cable to denote pin 1. Pin 1 on the drive is located next to the four-pin power connector.

Caution. The cable and connector bond is delicate. Pulling the cable to remove the connector may damage the cable.

Attach an interface connector to the drive. If your interface connector has a key, it will plug into the drive only one way. Make sure that you do not bend the pins when you attach the cable.

Attach an interface-connector to the hard-disc controller connector on the motherboard or host adapter (see your system user's guide or host adapter user's guide to determine the location of pin 1). Make sure that pin 1 is aligned with pin 1 on the drive.

Cable-select installation: If your computer uses cable-select for connection, refer to its user's guide to determine which interface connector is used for the master and which is used for the slave.

2. Attach a power-supply cable to the drive.

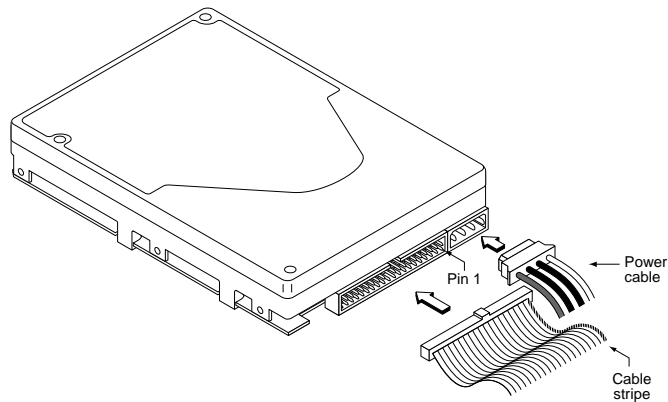


Figure 3. Attaching cables to the drive

Mounting the drive

Required materials:

- Four 6-32 UNC-2A screws (not included)

The drive fits in a standard 3.5-inch bay and can be mounted in any orientation. Position the drive so that the cables are not strained or crimped. Secure it with four mounting screws not more than 6 full turns (0.20 inches) into the drive frame (see Figure 4).

Caution. To prevent drive mounting-hole damage, use only the type of screws specified.

This completes the hardware installation.

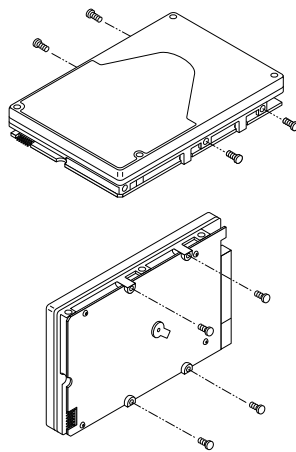


Figure 4. Mounting holes

Transferring the software from the drive

Required materials:

- Diskette Drive A
- A bootable, blank, 1.2-Mbyte or larger diskette for Drive A
- A bootable diskette with the Format command

Recent developments in drive technology have pushed drive capacities beyond the limits that many older computers using DOS can address. Seagate provides software that allows these computers to surpass the address limit and access your new drive's full capacity. The software is stored on the drive at the factory and must be transferred to a diskette in Drive A before you partition and format the drive. The files stored on the drive include:

- **EZ-Drive.** This is drive installation software that enables computers with BIOSs that restrict the hard disc capacity to 528 Mbytes to surpass the 528-Mbyte barrier.
- **SEG32BIT.386.** This is a 32-bit disk access driver to replace the native Windows 32-bit disk access driver. It extends 32-bit disk access support to drive capacities above 528 Mbytes, multiple block read/write and PIO modes 3 and 4.
- **Seamove.** This is a program that automatically copies the software and README files to a bootable diskette in Drive A. It removes the factory-installed partition and format when the files are copied.
- **README.** This is a text file that contains information about the Seamove transfer program.

To transfer the software, you must put a blank, bootable diskette into Drive A. To create a bootable diskette:

1. Insert your DOS diskette into Drive A.

2. Type **format a: /s**.

The drive reads the DOS diskette and prompts you to insert the diskette you want to format into Drive A.

3. Insert the blank diskette. Press **ENTER**. When the format is complete, you can transfer the installation software files to the diskette.

To transfer the software files:

1. Boot the computer with the diskette to which you want to transfer the software files.

2. Enter the System Setup. (Refer to your computer user's guide. System Setup may be called Setup, BIOS Setup or CMOS Setup.) If your computer uses an automatic setup system, go to step 5.

3. Find the hard disc configuration in the System Setup screen.

4. Select drive type 2 for your new Seagate drive. If your computer does not offer drive type 2, use the following values: 615 cylinders, 4 heads and 17 sectors.

Note. These are interim drive-type values that allow you to access the drive for extracting the installation files.

5. Activate the prompt for the Seagate drive.

6. Type **seamove** and press **ENTER**.

This command transfers the files from the drive to the diskette in Drive A. When the transfer is complete, the Seamove program erases the files and the drive partition and reboots

the computer. The computer returns an invalid drive specification error if you try to access the drive.

Caution. Do not write-protect the Seagate software diskette with EZ-Drive. The EZ-Drive program writes important information back to the diskette during the installation.

Configuring the computer

Configuring the computer involves updating the computer's System Setup records with the new drive's translation geometry (cylinder, head and sector information) and partitioning and formatting the drive. The translation geometry is kept on the CMOS chip and is used by the BIOS to assign locations for the data on the drive. Many older BIOSs place limits on the translation geometry parameter values that do not allow it to assign data locations for more than 528 Mbytes when DOS is used. If your computer uses such a BIOS, it cannot access the full capacity of your new drive.

This section covers the following issues involved with configuring your computer:

- How to determine whether your computer can access your new drive's full capacity
- Solutions you can use to surpass the 528-Mbyte barrier
- Installing the drive using the EZ-Drive software
- Installing the drive using the Standard setup
- Replacing the Windows 32-bit disk access driver

Determining whether your BIOS accepts more than 528 Mbytes

The following suggestions can help you to determine whether your BIOS limits the drive capacity to 528 Mbytes.

- If you are using a 286 or 386 computer, the native BIOS cannot recognize more than 528 Mbytes.
- If the copyright date of the BIOS is earlier than 1994, the BIOS probably will not recognize more than 528 Mbytes. The BIOS copyright date, manufacturer and version number appear on your screen at the beginning of power-on or reboot.
- Install the drive using the Standard setup described on page 20. (Transfer the free software stored on the drive to a diskette before you start the installation. See page 11 for transfer instructions.) When the installation is complete, type **dir d:** for the new drive, and check the number of bytes free. The number should be close to the formatted capacity of your drive. If the number is less than 528 Mbytes, you need to consider some alternatives for surpassing the 528-Mbyte barrier. Some alternatives are listed below.

Solutions for surpassing the 528-Mbyte barrier

- Use the free installation software, EZ-Drive, that is stored on the drive at the factory or equivalent software. Instructions for transferring the software to a diskette are on page 11. Instructions for using EZ-Drive are on page 15.
- Upgrade the BIOS to one that supports more than 528 Mbytes. Such BIOSs incorporate logical block addressing (LBA) and extended cylinder-head-sector (CHS) addressing.
- Use a host adapter that supports more than 528 Mbytes.

Using the EZ-Drive installation software

Note. The EZ-Drive software is authorized for installation only with the drive on which it is shipped.

EZ-Drive allows your computer to access your Seagate drive's full formatted capacity. It bypasses the BIOS during the boot sequence and uses information it creates on Drive C to identify the drive before DOS is loaded. During the installation, EZ-Drive:

- Determines how many drives are installed
- Enters a drive type in System Setup for the new drive
- Modifies the Drive C boot record with translation geometry for the new drive
- Partitions and formats the new drive
- Copies the boot files to the new drive if it is Drive C
- Enables Maximum Overdrive, which enables read/write multiple in drives that have this feature. The Change Installed Features option that appears in the dialog box when the format is complete allows you to disable Maximum Overdrive.

EZ-Drive is easy and safe to use. You can choose the fully-automatic installation, which puts a single partition on the drive, or you can install the drive with multiple partitions of equal size (see page 18 for instructions on creating multiple partitions of unequal size) and other custom features. Online help is available in the Select Installation Type menu as Information Help.

If you already have a drive installed, EZ-Drive will not harm your data unless you instruct it to override that drive's partition and format. EZ-Drive automatically arranges the drive-type position in System Setup to reflect how you have set the drive jumpers.

Note. EZ-Drive is designed for DOS installations. It supports Microsoft MS-DOS Version 5.0 or later.

EZ-Drive does not support:

- Toshiba laptops, XT or Micro Channel computers
- Non-ATA hard drives (SCSI, ESDI, MFM and RLL)
- Some Local Bus adapters that use 32-bit mode
- Some systems that have PIO mode 3 or 4 active
- OS/2 and NT

Caution. Some older virus-detection programs may misidentify the EZ-Drive information stored in conventional memory as a virus. If all 640 Kbytes of conventional memory are not free, such programs assume a virus is present and clean and restore the memory. If this happens, information about the EZ-Drive installed drive is destroyed, and the computer cannot identify the drive. Do not use these programs.

Note. The Seagate version of EZ-Drive cannot install a non-Seagate drive without a Seagate drive present.

1. Boot your computer with the Seagate software diskette. This is a precaution to ensure that the EZ-Drive installation does not conflict with any terminate-and-stay resident (TSR) programs that may be in memory.
2. Type **ez** and press ENTER.
3. Disregard the Notice dialog box. The EZ-Drive software is authorized for installation only with the drive on which it is shipped. Press ENTER to continue.

4. Locate the bottom box on the screen. The model number of each drive EZ-Drive identifies is listed in this box. If a drive you have installed is not listed or the drive order (Drive 0 is the master, Drive 1 is the slave) is incorrect or there is a drive not identified message, make sure the master and slave jumpers are set correctly on the drives and the I/O and power cables are properly connected.

Note. Other troubleshooting tips are available in the Information Help menu.

Caution. Turn off your computer before resetting the jumpers or removing the cables.

5. If the drives are correctly identified, select Select Fully Automatic Installation in the Select Installation Type dialog box. This creates a single partition and formats the drive.

If you are installing the drive as Drive C, EZ-Drive automatically writes the system files to the drive to make it bootable.

6. When the format is complete, the Options dialog box appears. Select and read Important Information. This instruction tells you how retain the use of the EZ-Drive-installed drive when you boot to Drive A.
7. Select Reboot to reboot the computer and save the installation. Remove the EZ-Drive diskette and put it away. It contains information about the drive setup.

Toward the end of the boot sequence, your screen should display a prompt for booting with a diskette followed quickly by the Micro House banner and the C: prompt. If the boot prompt and the banner fail to appear, your computer has not recognized the EZ-Drive installed drive. Retry the installation.

Booting with a diskette after EZ-Drive is installed

When you boot with a diskette, you must allow the EZ-Drive information about the drive to load into memory before the system information on the diskette loads. The diskette accesses the BIOS directly, which does not recognize the EZ-Drive-installed drive. To boot your computer with a diskette:

1. Boot the computer with the diskette-drive door open.
2. Press the CTRL key when the following message appears near the end of the boot sequence:
Hold the CTRL key down to boot from a floppy
3. Insert the boot diskette. The computer boots to Drive A.

Installing multiple partitions

The custom installation option in the installation menu allows you to create up to nine partitions of equal size on the drive. To create partitions of unequal size on your EZ-Drive installed drive, use the FDISK and FORMAT commands on a DOS diskette. Refer to your DOS manual if you need assistance deleting, creating and formatting partitions. This instruction assumes you have already installed the drive with EZ-Drive.

1. Boot your computer from Drive C.
2. Insert a bootable diskette that contains the FDISK and FORMAT programs into Drive A and change the prompt.
3. Type **fdisk**.
Caution. If you have two drives, be sure you choose the correct drive before deleting the partition. Deleting the partition erases everything on the drive. Option 5 allows you to select the drive you want to use.

4. Select option 3 to delete the primary partition from the EZ-Drive installed drive.

Note. EZ-Drive puts a volume label on the partition it creates. You must enter the label name to delete the partition.

5. Repartition the drive in the partition sizes you want. Refer to your DOS manual if you need assistance creating partitions. Remember to make the Drive C primary partition active.

The computer will reboot when the partition process is complete. However, you must make sure the EZ-Drive installed drive is present to continue with the format. (The EZ-Drive banner appears when the drive is recognized.)

1. Remove the diskette while the computer reboots. Press the CTRL key when the following message appears:

Hold the CTRL key down to boot from a floppy

The message is very quick and you may need to boot several times before you succeed. (Some computers allow you to press the CTRL key early.) If you get an Invalid OS error message, the computer has not found the EZ-Drive installed drive, and you must start the boot process again.

2. Reinsert the diskette.
3. Type **format drive:** for each partition you have created.

drive represents the letter assigned to the partition.

Note. DOS automatically assigns a letter to each partition. Use the appropriate letter in the format statement.

If you are formatting Drive C, type **format c: /s** to make the drive bootable.

4. Reboot the computer when you are done formatting.

Standard setup

If your computer accepts the full capacity of the new drive, System Setup must be configured to recognize the drive. Some computers automatically detect the new drive and configure System Setup. This section tells you how to manually configure System Setup. When the setup is complete, partition and format the drive.

1. Turn the computer on.
2. Enter System Setup. (Refer to your computer user's guide. System Setup may be called Setup, BIOS Setup or CMOS Setup.)
3. Find the hard disc configuration in the System Setup screen.
4. Select a drive type that matches the drive translation geometry for your drive as shown in the table.

Model	CHKDSK ² Mbytes	Translation geometry			CMOS (Setup) ³ Mbytes
		Cyl	Heads	Sectors per track	
ST5540A	541.9	1,050	16	63	517
ST5851A	854.6	1,656	16	63	815
ST51080A	1,083.8	2,100	16	63	1,034
ST51270A	1,282.4	2,485	16	63	1,223

Note. CHKDSK and CMOS capacities are approximations. The capacities your computer reports may vary slightly.

2. One Mbyte equals 1,000,000 bytes.

3. One Mbyte equals 1,048,576 bytes.

Select the user-defined or custom drive-type option, if available, and enter your drive's translation geometry.

If a user-defined drive type is not offered, select the drive type with the largest translation geometry. This is the maximum drive capacity your computer can recognize in its current configuration. To access the full capacity of your drive, you must upgrade your computer with a BIOS or host adapter capable of accessing more than 528 Mbytes.

Note. The drive does not use write precomp and landing zone. If these parameters are listed, make their values zero.

If you upgrade your system at a later date to achieve the drive's full capacity, you must repartition and reformat the disc. Be sure to back up your data first.

5. When you have completed setting the translation geometry for your drive, save the values and exit System Setup. Reboot your computer. Partition and format the drive.

Partitioning and formatting the drive

Before you can use your Seagate drive, you must partition and format it. In this guide we discuss partitioning and formatting your drive with DOS—refer to your DOS user's guide for assistance. If you are using another operating system, consult your operating system user's guide for partitioning and formatting instructions.

Note. If you have not copied the free installation software to a diskette, your computer will detect a partition on the drive. You must erase this partition before you can access the full drive capacity. When you transfer the files to a diskette using Seamove (see page 11 for instructions), the partition is automatically erased when the transfer is complete.

Low-level formatting

The drive is low-level formatted at the factory using 512 bytes per sector. Low-level formatting is not required.

Partitioning

You must partition the drive into one or more logical drives before you can use it.

Caution. Partitioning or formatting a drive at any level erases all data on it. Make a backup copy of your existing files on another drive before you repartition or reformat. Seagate assumes no liability if you erase your data.

You can partition a drive as follows:

1. Insert a bootable diskette into Drive A. Turn the computer on.
2. After the computer has completed booting, remove the boot diskette from Drive A. Insert a diskette that has the FDISK utility into Drive A and type **fdisk**. Press ENTER.

Note. If you have two drives in your system, the menu displays five options. Option five allows you to select the drive you want to partition. Make sure you select the correct drive.

3. Select *create DOS partition or logical DOS drive*. Press ENTER.
4. Select *create primary DOS partition*. Use the maximum available size for your primary partition and make the partition active for Drive C. This puts the entire drive on one partition and allows you to load the DOS boot information on the drive. Press ENTER for each subsequent selection.

After all of the appropriate selections are made, the computer reboots itself. You must place a bootable diskette into Drive A.

High-level formatting

High-level formatting (henceforth referred to as formatting) builds the file allocation table (FAT) DOS uses to access files on the drive. If you put more than one partition on the drive, you must format each partition. Use the DOS FORMAT utility to format the drive as follows:

1. Type the following command at the DOS prompt:

format *drive*: /v /s

drive: designates the drive you are formatting. If you are formatting the boot drive or if your system contains only one drive, type **c:**. To format a second drive, type **d:**.

/v tells the computer to create a volume label for the partition after it is formatted. Labeling can prevent someone from accidentally deleting the partition and losing your data.

/s tells the computer to copy the system files to the drive to make it bootable.

2. When the computer prompts you for a volume label, you can assign a name to the drive volume of up to eleven characters or leave it blank. Press ENTER.

Windows 32-bit disk access

If Windows enables the 32-bit disk access during its installation, an error message appears when Windows loads after you have installed a drive with more than 528 Mbytes. The Windows 32-bit disk access driver must be turned off for you to open and use Windows. Use the Seagate replacement driver, SEG32BIT.386, to restore 32-bit disk access capability. To open Windows and restore 32-bit disk access:

1. Press ENTER to open Windows.

2. Open the Main menu.
3. Open the Control Panel.
4. Open Enhanced.386.
5. Select Virtual Memory.
6. Select Change.
7. Select 32-Bit Disk Access at the bottom of the screen to change its status.
8. Select OK. Follow the screen instructions to reboot.

You can re-establish the 32-bit disk access capability using the SEG32BIT.386 software as follows:

1. Load Windows.
2. Open the Program Manager menu and select File.
3. Select Run.
4. Load the Seagate software diskette.
5. In the command line box, type: **drive:stsetup**
6. Read the license agreement that appears on the screen. If you agree to the terms, select ACCEPT AGREEMENT to continue.
7. The next screen lists the features the SEG32BIT.386 driver supports. If your computer supports these features, they will be active in 32-bit disk access mode with SEG32BIT.386 for all drives that support them. Select Install Driver to continue.
8. Once the driver is installed, you must enable the 32-bit disk access option in the Windows control panel to make it operational. You can choose to enable the option now or later. If you choose to enable the driver now, the program opens the Windows main menu. Repeat steps 3 through 7 to enable SEG32BIT.386 32-bit disk access.

Basic troubleshooting

Warning. Always turn off the computer before changing jumpers or unplugging cables and cards.

Caution. Your drive and computer contain static-sensitive devices. Wear a ground strap or use other antistatic precaution while handling your drive.

If you have installed your drive and it does not function properly, perform the following basic checks:

- **Verify compatibility.** Verify that the host adapter and the drive are appropriately matched to each other and to your computer. Refer to relevant documentation for details.
- **Check all cards.** Verify that all cards are seated in their slots on the motherboard and are secured with mounting screws.
- **Check all cables.** Make sure all ribbon and power cables are securely connected. Ribbon cables are easily damaged, especially at the connector. Try a new cable or a known good cable. Make sure no socket pins were bent when the cable was inserted. For each cable, verify that cable-connector pin 1 is aligned with equipment-connector pin 1. The edge-stripe on the ribbon cable is used to denote pin 1.

Caution. Do not reverse-plug connectors. This will damage your drive if the power is applied.

- **Verify equipment configuration.** Review the instructions in this guide and the host adapter installation guide and make sure that all appropriate jumpers are installed, or removed, to suit your application.

- **Check the power-supply specifications.** If new devices are installed, your computer's power supply may not support the new total power requirement. Consult your dealer.
- **Verify the drive type setting in System Setup.** The drive-type values used to configure System Setup must not exceed the physical specifications of your drive (see the translation geometry table on page 20). Also, if you have an older BIOS, the translation geometry values must not exceed the limitations set by the BIOS.
- **Check for viruses.** Before you use someone else's diskette in your system for the first time, scan the diskette for viruses.

Advanced troubleshooting

If you have performed the preceding basic checks but the problem has not been solved, follow these guidelines for troubleshooting specific cases:

The system does not recognize the drive.

- Check all cables.
- Make sure the power supply is adequate for system needs.
- Reboot the computer and make sure the drive motor runs. If your drive is very quiet, it may be difficult to hear its discs reach operating speed. Recheck all drive cables if the drive is not running.
- Verify the System Setup drive type values. Each drive present must be represented in System Setup.
- Try a warm boot (a reboot without turning off computer power). To do this, press CTRL, ALT, and DELETE at the same time. If the drive is recognized after the warm boot, the computer

BIOS' setup test may be completing before the drive is ready.

One possible solution is to slow your computer's processor speed during startup. If your computer has a turbo switch, set it to slow speed before turning the computer on. If there is no turbo switch, you may be able to use keyboard commands to slow the processor speed; see your computer manual for details. After the computer is up and running, return the processor to the fast speed.

Another solution is to warm-boot your computer after every power-on.

- Check for I/O address conflicts. To isolate the conflict, first verify that the drive and host adapter are compatible with your computer by removing all the peripheral adapter cards (power must be off) except for the video card. Then reinstall the drive and host adapter card. If this is successful, reinstall the other peripherals one at a time until the conflict reoccurs.

After you have isolated the source of the address conflicts, you can resolve the conflict by changing the I/O address of the peripheral that appears to cause the conflict.

- If your drive was installed with EZ-Drive, the special instruction in the boot sequence on Drive C may have been bypassed. Remove the diskette and reboot. The section "Booting with a diskette after EZ-Drive is installed" on page 18 describes how to boot with a diskette.
- If the computer does not recognize the slave drive following power-on, the slave may not be communicating with the master during the boot cycle. Try reconfiguring the master/slave timing protocol jumpers discussed on page 8.

The dealer partitioned and high-level formatted the drive for you in the store. Later, you installed the drive and it does not respond.

- Reboot the computer and make sure the drive spins up.
- Check all cables.
- Make sure the power supply is adequate for system needs.
- Use the same version of DOS within all partitions. Make sure the DOS version the dealer used to partition and format the drive is the same as the version you installed on your computer. If it isn't, see your dealer.
- Verify the System Setup drive type value. You must install the drive using the same drive type or translation geometry that your dealer used to partition the drive.
- Check for I/O address conflicts between peripheral cards.
- Check for viruses.

The screen remains blank when you power up the system.

- Make sure the monitor is plugged in and turned on.
- Check all cards. Make sure the video card is seated in its slot and secured with mounting screws.
- Check all cables. Make sure the video-card cables are securely attached.
- While the computer is powered down, remove the drive host adapter. If the screen turns on after you reboot, the host adapter may be incompatible or defective. If so, see your dealer.

The system hangs in FDISK or fails to create or save the partition record.

- Check all cables.
- The DOS utilities diskette may be corrupted. Try your backup DOS diskette.
- Make the partitions smaller.
- Try another drive type or translation geometry. The computer's BIOS may not accept a particular translation geometry for writing into the CMOS setup memory.
- Change the interrupt jumper setting on the host adapter.
- Check for media defects at the beginning of the drive. Use a third-party surface scan utility.
- Some BIOSs have a Track 0 protection feature that protects Track 0 from viruses. This can cause FDISK to hang the system. You must disable this feature in System Setup before you can use FDISK. See your computer reference guide for assistance. Be sure to re-enable this important feature when FDISK is done.

System error message, "Drive not Ready," appears.

- Check all cable connections. For each ribbon cable, verify that pin 1 of the cable is matched to pin 1 of the connector. Pin 1 is usually denoted by the edge-stripe on the ribbon cable.
- Make sure the power supply is adequate for system needs.
- Reboot the computer and make sure the drive spins up. The FDISK error message, "No Fixed Disk Present," appears.
- Check all cables.
- Make sure the power supply is adequate for system needs.

- Reboot the computer and make sure the drive spins up.
- Verify the System Setup drive type values.
- Check for I/O address conflicts.

The drive does not format to full capacity.

- Verify your computer's System Setup drive-type values. One of the following problems may have occurred: 1) the values may be set for an incorrect drive type or translation geometry; 2) you may have entered a parameter value that exceeded the physical capacity of the drive; 3) you selected a translation geometry or drive type that does not take full advantage of the drive's capacity; or 4) the drive's physical specifications exceed the translation geometry limits imposed by the BIOS. Refer to "Standard setup" on page 20 if any of these cases is true.

If you reset the System Setup drive-type value, you must partition and high-level format the drive again.

- If you partitioned the drive into individual logical drives, you may need to make the partitions smaller so that the computer can use all of the drive's capacity.
- If your computer supports LBA mode, you may need to enable an LBA mode function in System Setup to get the drive's full capacity. Refer to your computer's reference guide.
- You can use the EZ-Drive software to install the drive.

DOS messages "Disk Boot Failure," "Non-System Disk," or "No ROM Basic - SYSTEM HALTED," appear.

- Reinstall the DOS system files using the DOS SYS utility.
- Check all cables.

- Use FDISK to verify that the primary partition is active.
- Check for viruses.

System error message, “HDD controller failure,” appears.

- Confirm the jumper settings on the drive.
- Verify the System Setup drive type values.

The error message “Microsoft Windows 32-bit disk driver (WDCTRL) phase 03, 3f” appears when you open Windows.

- A device conflict occurs between the native Windows 32-bit disk access driver and drives that have capacities greater than 528 Mbytes. To get the advantages of 32-bit disk access and more, install the SEG32BIT.386 32-bit disk access driver. Installation instructions are on page 23.

Disabling EZ-Drive

Required materials:

- A bootable diskette
- A diskette that has FDISK. EXE

To disable EZ-Drive, use the DOS utility FDISK/MBR. This utility replaces the EZ-Drive boot information on Drive C with the DOS master boot record. The DOS master boot record uses the information in System Setup to access the drive. Your computer will stop accessing EZ-Drive-installed drives that are larger than 528 Mbytes. To access your drive's full capacity, you must reconfigure System Setup with the translation geometry shown for your drive in the table on page 20. You must also partition and format your drive.

Caution. Partitioning and formatting erases the data on the drive. Back up your data before you disable EZ-Drive.

1. Turn the computer off.
2. Insert a bootable diskette into Drive A and turn the computer on. Your computer must boot to Drive A without loading EZ-Drive into the system memory.
3. When the boot cycle is complete, place a diskette that has the FDISK utility in Drive A.
4. Type **fdisk/mbr** and press ENTER. This command erases the EZ-Drive-modified master boot record on Drive C and replaces it with the standard DOS master boot record. The computer can no longer identify drives that have capacities greater than 528 Mbytes installed using EZ-Drive. You must partition and format the drive to make it accessible (see Partitioning and formatting the drive on page 21).

Disabling Maximum Overdrive

Maximum Overdrive enables the drive's read/write multiple feature. You can disable Maximum Overdrive during the installation process or anytime afterward.

To disable it during the installation, select the Change Install Features option in the Options dialog box that appears when the format completes. This feature allows you to enable or disable Maximum Overdrive.

To disable it after the drive has been installed:

1. Insert the Seagate software diskette with EZ-Drive into the diskette drive.
2. Type **ez** at the command line.
3. Go to the Main menu and select Installation Options. Press ENTER.
4. Select Change Install Features and press ENTER.

5. Select Disable Maximum Overdrive.
6. Press the ENTER key to change the status.
7. Use the down-arrow key to select Save Changes. Press ENTER to save.

Additional EZ-Drive troubleshooting and help information is available when you select Information Help in the main menu. Answers to frequently asked troubleshooting questions are available in the EZ-HELP.EXE file on the diskette.

Technical support services

If you need assistance installing your drive, consult your dealer. Your dealer is familiar with system configurations and can help you with system conflicts and other technical issues.

If you need additional assistance with your Seagate drive or other Seagate products, you can call SeaBOARD®, SeaFAX®, Seagate Technical Support FAX, SeaFONE® or SeaTDD™. Seagate technical support information is also available on CompuServe and through the Internet.

SeaBOARD

Using a modem, you can access documentation, drive specifications and jumper settings for Seagate's entire product line. You can also download software for installing and analyzing your drive.

SeaBOARD is available 24 hours daily. It supports communications up to 9,600 baud. Set your communications software to eight data bits, no parity and one stop bit (8-N-1). SeaBOARD phone numbers are listed in the following table.

Location	Modem number
United States	408-438-8771
England	44-1-62-847-8011
France	(+33 1) 48 25 35 95
Germany	49-89-140-9331
Singapore	65-292-6973

Location	Modem number
Thailand	662-531-8111
Australia	61-2-756-2359
Korea	82-2-556-7294

SeaFAX

You can use a touch-tone telephone to access Seagate's automated FAX system to receive technical support information by return FAX. This service is available 24 hours daily.

Location	Telephone number
United States	408-438-2620
England	44-1-62-847-7080

Seagate Technical Support FAX. 408/438-8137

You can FAX questions or comments to technical support specialists 24 hours daily. Responses are sent between 8:00 A.M. and 5:00 P.M. (Pacific time) Monday through Friday.

SeaFONE. 408/438-8222

You can talk to a technical support specialist between 8:00 A.M. and 5:00 P.M. (Pacific time) Monday through Friday. SeaFONE provides recorded technical information on selected Seagate products while you are on hold. You can access the recordings 24 hours daily. Before calling, note your system configuration and drive model number (STxxxx).

SeaTDD. 408/438-5382

Using a telecommunications device for the deaf (TDD), you can send questions or comments 24 hours daily and exchange messages with a technical support specialist between 8:00 A.M. and 5:00 P.M. (Pacific time) Monday through Friday.

Seagate CompuServe forum

Online technical support for Seagate products is available on CompuServe. To access our technical support forum, type **go seagate**. This forum provides information similar to that found on SeaBOARD.

Seagate's Internet connections

Technical information for Seagate drives is available on the internet from Seagate's World Wide Web home page (<http://www.seagate.com>) or Seagate's ftp server (<ftp://ftp.seagate.com>). The ftp server contains information similar to that found on SeaBOARD.

Storing and shipping your drive

Keep your original box and packing materials for storing or shipping your drive. The box has a *Seagate Approved Package* label. Shipping a drive in an unapproved container voids the warranty. Call your authorized Seagate distributor to purchase additional boxes.

The following figure shows how a drive fits in an approved single-pack box, including the packing materials.

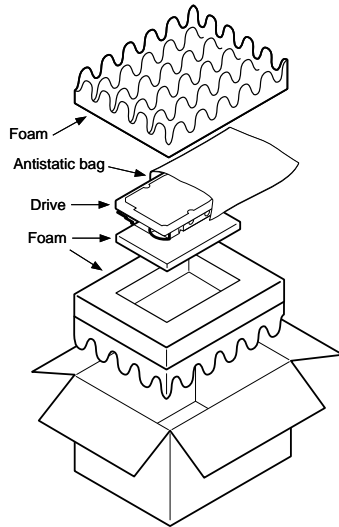


Figure 5. A drive in an approved package



Seagate Technology, Inc.
920 Disc Drive, Scotts Valley, CA 95066, USA

Publication Number: 36342-101, November 1995, Printed in USA