

Samsung Electronics *NET.I*



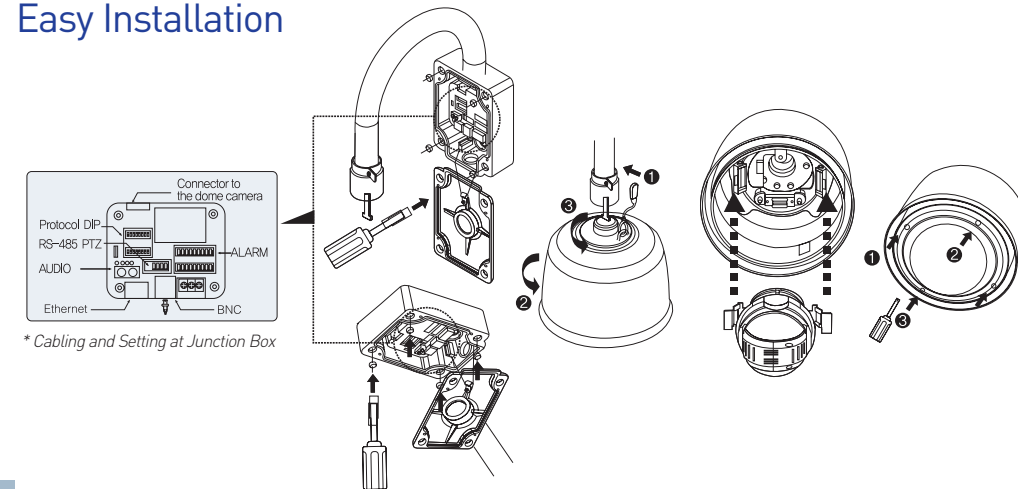
## 36x Zoom SmartDome Network Camera SNC-C7478/C7478C

### KEY Features

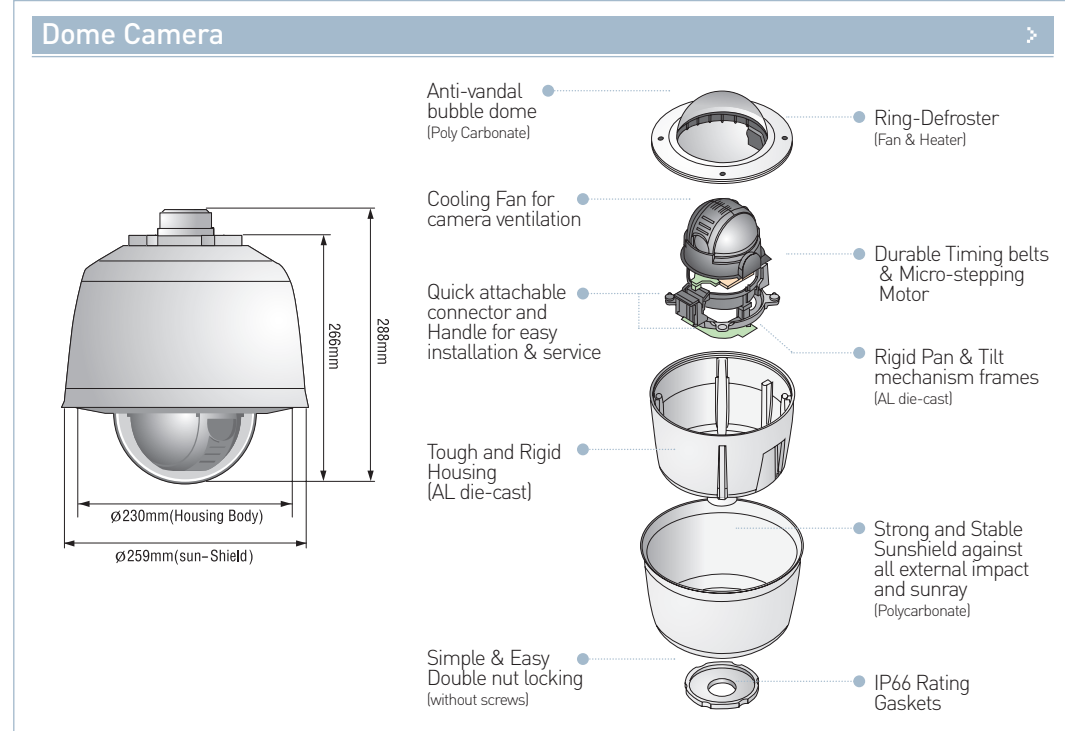
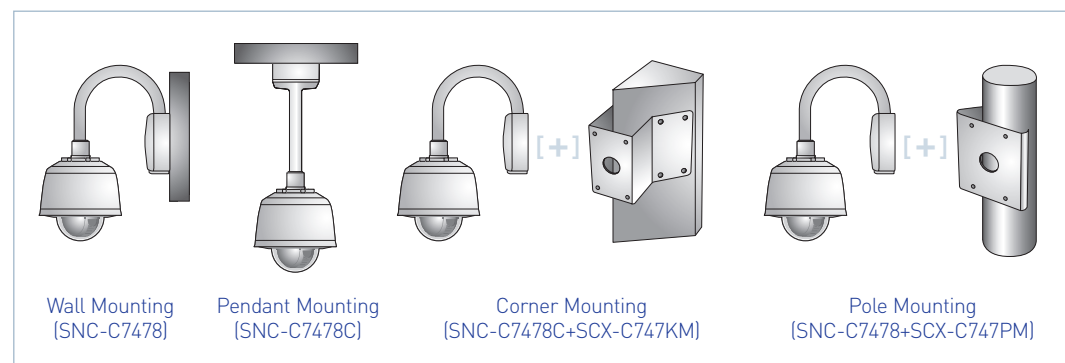
- Real-time 30(25) ips at High Resolution(D1)
- MPEG-4 & MJPEG Dual Encoding
- Digital Image Stabilizer
- True Day and Night Function (IR Cut Filter)
- WDR (Wide Dynamic Range)
- Bi-directional Audio Support
- DDNS Support
- Micro SD/SDHC Memory Card Slot for Alarm Recording
- IPv4/IPv6 support
- 432x Zoom Control (Optical 36x, Digital 12x)
- Rotating Speed : MAX. 360°/sec
- Smooth Manual Speed: MIN. 0.05 °/sec
- Endless 360° Pan Rotation
- Shortest Path by Vector Drive Technology
- High Accuracy with Micro-Stepping (256 Div.)
- Scheduled Preset Function
- Housing Design for Quick installations and Maintenance
- Vandal Proof/ Waterproof



### Easy Installation



### Mounting Options





## Camera Specifications

ITEMS	SUB-ITEMS		SNC-C7478(C)
Camera Type	Color/BW		Color
Image	Sensor Device		Ex-view HAD PS CCD
	Size		1/4 inch
	Pixels	Total	NTSC : 811 x 508 / PAL : 795 x 596
Effective		NTSC : 768 x 494 / PAL : 752 x 582	
Scanning	Horizontal Frequency	Internal Mode	NTSC : 15,734 Hz / PAL : 15,625 Hz
		Line-lock Mode	NTSC : 15,734 Hz / PAL : 15,625 Hz
	Vertical Frequency	Internal Mode	NTSC : 59.94 Hz / PAL : 50 Hz
		Line-lock Mode	60 Hz
Resolution	Horizontal	Color: 540TVL / BW: 570TVL	
	Vertical	350TVL	
S/N Ratio			50dB
Lens	Focal Length		3.4 ~ 122.4mm
	Zoom Ratio		36x Optical
	Aperature Ratio		F1.6(W)/F4.5(T)
	Viewing Angle	Tele	1.70°(H) x 1.27°(V)
		Wide	57.80°(H) x 43.35°(V)
	Lens Drive Type		DC Auto Iris
Mount Type		Board-in type	
Min. Scene Illumination	Color		1.3 Lux (50 IRE)
	B/W		0.13 Lux (50 IRE)
PAN/TILT	Speed	Manual Pan	0.05~360°/sec
		Preset Pan	360°/sec
		Manual Tilt	0.05~360°/sec
		Preset Tilt	360°/sec
	Range	Panning	0~360°(endless)
		Tilting	180°
	Number of Auto PAN		8 ea
	Number of Preset		127 ea
	Number of Pattern		4 ea
	Functions	Number of Privacy Zone	
Day/Night		Auto / Day / Night (IR Cut Filter)	
Wide Dynamic Range		On / Off	
Digital Zoom		Yes(- 12x)	
High Speed Shutter		NTSC : 1/60 ~ 1/10,000 sec / PAL : 1/50 ~ 1/10,000 sec	
Sens Up		NTSC : Yes(2x ~ 60x) / PAL : Yes(2x ~ 50x)	
BLC		On / Off	
AGC		Auto/Manual(-3~28dB)	
Camera ID		dip switch adjustable	
White Balance		Auto/Manual(Red,Blue Gain Adj.)	
OSD	OSD		Yes
	Language		E / F / D / S / I / P / R
Remote Control	RS485		RS-485
	Protocol		SAMSUNG, PELCO-P/D, Panasonic, AD, Karatel
Environmenta Conditions	Fan / Heater		Yes
	Operating Temperature		-45°C ~ +50°C
	Humidity		Above 90% (Waterproof)
Power	Power Requirement		AC 24V
	Power Consumption		24W(Header OFF) / 57W(Heater ON)
	LED Indicator		Yes
Physical Specification	Dimensions (WxHxD)	Net(SNC-7478)	259 X 552 X 404.5 mm
		Net(SNC-7478C)	259 X 649 X 259 mm
		Package	259 X 400 X 500 mm
	Weight	Net	6kg
		Package	11kg
	Color	Body	White Grey
	Sun-Shield		Include
	Wall-mount/Ceiling-mount		Include
	Anti Vandal		Yes (IP66)

Minimum Illumination				
Condition			Min. Scene Illumination	
Sens-up	F No.	Level	Color	B/W (S/W)
No	1.6	50 IRE	1.3 Lux	0.13 Lux
No	1.6	30 IRE	0.78 Lux	0.078 Lux
No	1.6	15 IRE	0.39 Lux	0.039 Lux
64 times	1.6	50 IRE	0.0203 Lux	0.00203 Lux
64 times	1.6	30 IRE	0.0122 Lux	0.00122 Lux
64 times	1.6	15 IRE	0.0061 Lux	0.00061 Lux

## Network Specifications

ITEMS	SUB-ITEMS		SNC-C7478(C)
Network Board	OS		Embedded Linux
	Hardware	Flash memory	32M byte
		RAM	256M byte
		Ethernet	RJ-45 (10/100BASE-T)
		Video Out	VBS 1.0Vp-p
		Audio	Line In / Line Out
		SD Memory Slot	Yes (Micro SD/SDHC)
		PoE	N/A
Alarm	Input	8ea	
	Output	4ea	
Video	Compression		MPEG4 / MJPEG Dual Codec Simultaneous Dual Streaming
	Resolution	D1	NTSC : 720x480 / PAL : 720x576
		VGA	640x480
		CIF	NTSC : 352x240 / PAL : 352x288
	Frame Rate	NTSC : 30, 15, 8, 3, 1 fps / PAL : 25, 13, 6, 3, 1 fps	
Quality	1 ~ 10 level		
Audio	Compression		G.711
	Bi-Directional Communication		Yes
OSD	Camera Control and Adjustment		OSD menu on Video (Menu enter/exit, move by Web UI)
DIS	Digital Image Stabilizer		Yes
Motion Detection	Sensitivity and Area Setting		High, Medium, Low
Protocol	IP		IPv4 / IPv6
	Network Protocol	IPv4	TCP/IP, UDP/IP, RTP(UDP), RTP(TCP), RTSP, NTP, HTTP, HTTPS, SSL, DHCP, PPPoE, FTP, SMTP, ICMP, IGMP, SNMPv1/v2c/v3(MIB-2), ARP, DNS, DDNS
		IPv6	TCP/IP, HTTP, HTTPS, SSL, DHCP
	Streaming		Unicast, Multicast
	Security		HTTPS(SSL) Login Authentication / Digest Login Authentication
	DDNS		Supporting Samsung DDNS and Public DDNS services
	Connection		Maximum User Access
User Access Level	Administrator	Live Monitoring, Alarm I/O control, OSD menu control, PTZ control, SD memory search, SETUP	
	Operator	Live Monitoring, PTZ control, Alarm I/O control	
	User	Live Monitoring	
Event Management	Alarm Input		JPEG Image transfer : FTP JPEG Image Recording : SD memory, Notification : notify to viewer or by E-mail (one image attachment), Alarm Out
	Motion Detection		
	Schedule		JPEG Image transfer : FTP, E-mail / JPEG Image Recording : SD memory
Web Browser Viewer(Default)	Supported OS		Windows XP, VISTA
	Supported Browser		Internet Explorer 6.0 or Higher
	UI Language		E / F / G / S / I / C / K
	S/W upgrade		Using Web viewer UI
Video Player	RTP/RTSP streaming		Quicktime, VLC player
Video Management Software			Samsung NET-i, 3rd Party S/W application
Application	IP Installation		IP Installer Application for All Samsung IP Devices
SDK	HTTP API	CGI Command	Provides functionality to control cameras and set/retrieve internal parameter values. Get JPEG image or MJPEG stream Alarm In/Out control
		RTP/RTSP API	
	ActiveX	SDK	ActiveX API for viewing data streams from IP camera