

INSTALLATION INSTRUCTIONS FOR HUNTER CEILING FAN LIGHT KIT MODELS 26106 THRU 26115, 26117, 26221 & 26222



READ AND SAVE THESE INSTRUCTIONS

CAUTION

1. TO REDUCE THE RISK OF FIRE AND ELECTRICAL SHOCK, INSTALL THIS LIGHT KIT ONLY ON LISTED HUNTER CEILING FANS TYPE A THRU Z
2. READ ENTIRE INSTRUCTIONS CAREFULLY BEFORE BEGINNING INSTALLATION
3. TO AVOID POSSIBLE ELECTRICAL SHOCK BE CERTAIN ELECTRICITY IS TURNED OFF AT FUSE OR CIRCUIT BREAKER PANEL BEFORE WIRING
4. ALL WIRING MUST BE IN ACCORDANCE WITH AND LOCAL ELECTRICAL CODES IF YOU ARE UNFAMILIAR WITH WIRING. YOU SHOULD USE A QUALIFIED ELECTRICIAN.

CONNECT WIRES TO FAN

SEE FAN INSTALLATION INSTRUCTIONS FOR CONNECTING HOUSE WIRING TO THE FAN

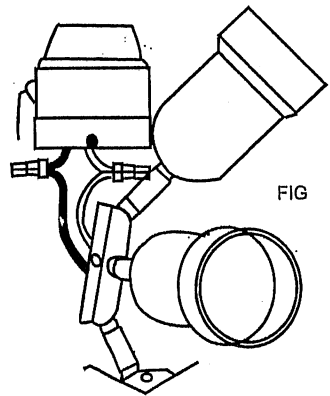
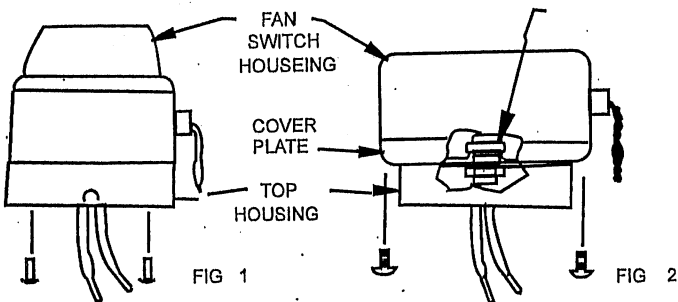
NOTE CONNECT HOUSE WIRING TO THE FAN BEFORE ATTACHING THE LIGHT KIT TO THE FAN

SEE WIRING DIAGRAMS ON REVERSE SIDE FOR LIGHTKIT USE WITH WALL SWITCHES

1. REMOVE TOP HOUSING FROM LIGHT KIT BY LOOSENING THREE SCREWS AND TURNING COUNTERCLOCKWISE. REMOVE THE COVER PLATE FROM THE BOTTOM OF THE FAN SWITCH HOUSING, IF THE COVER PLATE HAS A HOLE IN THE CENTER, PROCEED TO STEP 2A. IF THE COVER PLATE DOES NOT HAVE A HOLE IN THE CENTER, DISCARD THE COVER AND PROCEED TO STEP 2A.

2A. LOCATE THE TWO WIRES IN THE FAN SWITCH HOUSING THAT HAVE LABELS MARKED "CONNECT LIGHT HERE" OR "FOR LIGHT USE". ONE WIRE WILL BE WHITE AND THE SECOND WILL BE BLACK WITH A WHITE TRACER. SLIDE THESE WIRES AND ATTACH HOLES IN THE CENTER OF THE TOP HOUSING FOR THE LIGHT KIT. SLIDE THE TOP HOUSING OVER THE TWO WIRES AND ATTACH HOUSING TO BOTTOM OF THE FAN SWITCH HOUSING USING THE SCREWS PROVIDED WITH THE FAN. SEE FIG 1. THEN PROCEED TO STEP 2B.

2B. ASSEMBLE THE COVER PLATE TO THE TOP HOUSING FOR THE LIGHT KIT USING THE PIPE NIPPLE TWO NUTS AND TWO LOCKWASHERS PROVIDED. SEE FIG 2. LOCATE THE TWO WIRES IN THE FAN SWITCH HOUSING THAT HAVE LABELS MARKED "CONNECT LIGHT HERE" OR "FOR LIGHT USE". ONE WIRE WILL BE WHITE AND THE SECOND WILL BE BLACK WITH A WHITE TRACER. SLIDE THESE WIRES THROUGH THE PIPE NIPPLE AND ATTACH THE COVER PLATE BACK ON THE FAN SWITCH HOUSING. SEE FIG 2 THEN PROCEED TO STEP 3.

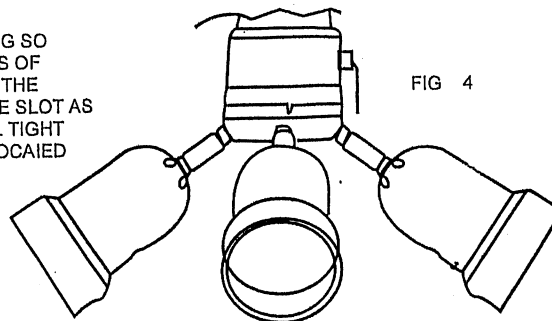


3. HANG THE LIGHT KIT ON ONE OF THE SCREWS IN THE TOP HOUSING USING A HOLE IN THE TOP OF THE LIGHT. SEE FIG 3. CONNECT THE WHITE WIRE TO THE WHITE WIRE TO THE BLACK WIRE TRACER COMING FROM THE FAN. SEE FIG 3.

COMPLETE THE INSTALLATION

UNHOOK THE LIGHT KIT. INSTALL IT ON THE TOP HOUSING SO THAT THE THREE SCREWS ARE IN THE MOUNTING SLOTS OF THE LIGHTKIT. ROTATE THE LIGHTKIT CLOCKWISE UNTIL THE SCREWS ARE LOCATED IN THE END OF THE HOOK IN THE SLOT AS SHOWN IN FIG 4. LIGHTEN THE THREE SCREWS IN ALL TIGHT BULBS USING THE GUIDE FOR SIZE AND TYPE THAT IS LOCATED INSIDE ONE OF THE LAMPS.

5. RECONNECT POWER TO COMPLETE INSTALLATION



INSTALLATION INSTRUCTIONS FOR LIGHT KITS TO FANS WITH REMOVABLE SWITCH HOUSINGS

CAUTION: Be sure all power is removed from the fan before attempting to install the light kit.

1. Remove the switch housing from the fan by loosening the three screws at the top of the housing and twisting the housing to disengage if necessary. Pull down on the switch housing to remove it from the fan. See Figure 1.

2. Unplug the wires. See Figure 2.

The switch housing can now be removed from the fan and taken to a convenient work site for attaching the light kit.

3. Loosen the two attachment screws on the bottom of the switch housing. Unscrew and discard the center plug. Feed the two wires from the light kit up through the center hole in the bottom of the switch housing. Attach the light kit fitter to the switch housing using the two attachment screws. Thread center post of light kit into center hole of switch housing, if appropriate.

4. Locate the switch housing wires marked for use with light kit. One of these is white and the other is black-with-white tracer. Each has a wire nut attached. Connect the white wire to the light kit white wire and connect the black-with-white tracer wire to the light kit black wire. Use the wire nuts to make connections.

5. Re-connect the plug and then re-attach the switch housing/light kit assembly to the fan. Follow the instructions supplied with your Light kit to complete the installation.

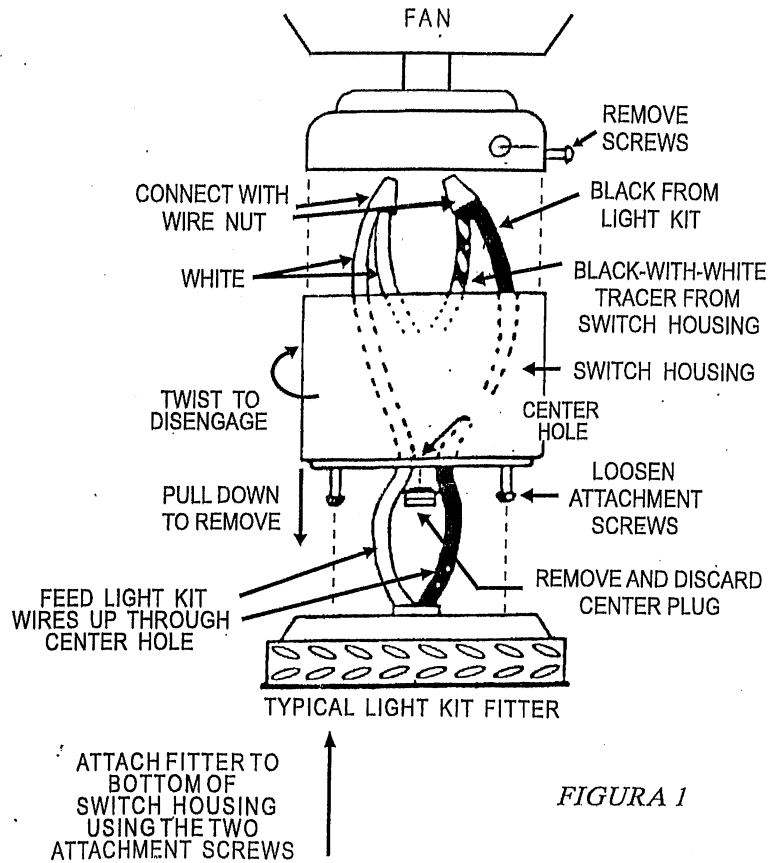


FIGURA 1

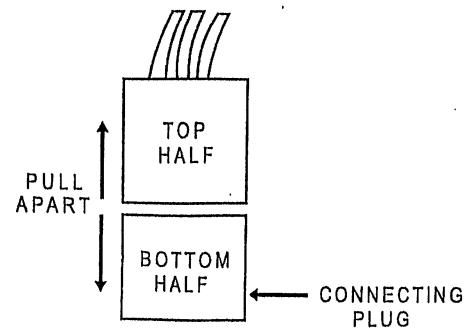
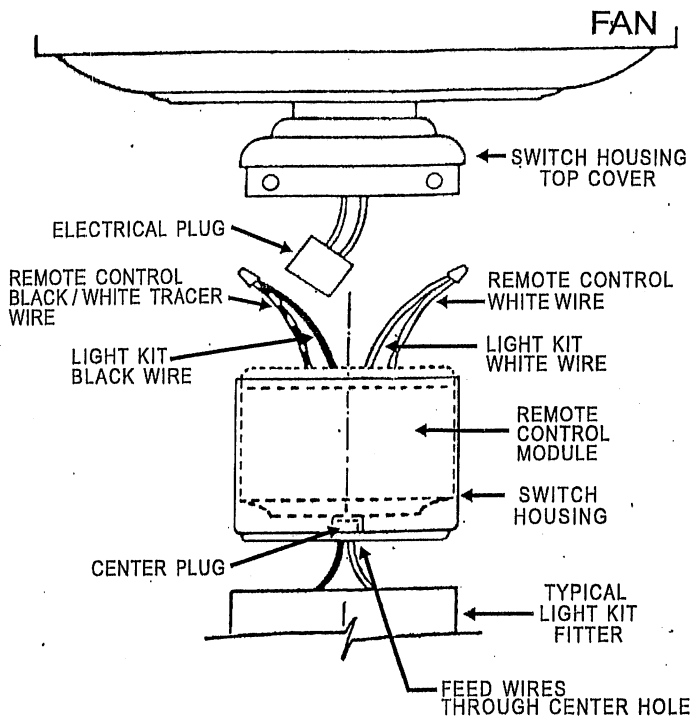


FIGURE 2



SUPPLEMENTARY INSTRUCTIONS FOR ATTACHING LIGHT KIT TO REMOTE CONTROL FAN



- Be sure power is turned off.
- Remove the switch housing from the fan by first removing the screw in the round hole in the switch housing top cover. Then loosen the remaining two screws so the switch housing can be twisted free of engagement with the switch housing top cover. Unplug the remote control module and remove the entire assembly from the fan.
- Remove the center plug from the bottom of the switch housing. Carefully feed the leads up through the center hole of the switch housing. Continue to feed the leads through the center hole of the circuit board in the remote control, being very careful not to damage the small components on the board. Bring the leads out the top of the remote control module.
- Attach the light kit to the switch housing according to the instructions supplied with the light kit.
- Connect the lead wires as shown in the illustration.
- Reinsert the electrical plug, then reinstall the switch housing / light kit assembly to the fan.
- Complete the installation by following the instructions supplied with the light kit.