

**Robin Generator**

---

**Model P4300ie**

**for ONAN**

# **PARTS CATALOG**

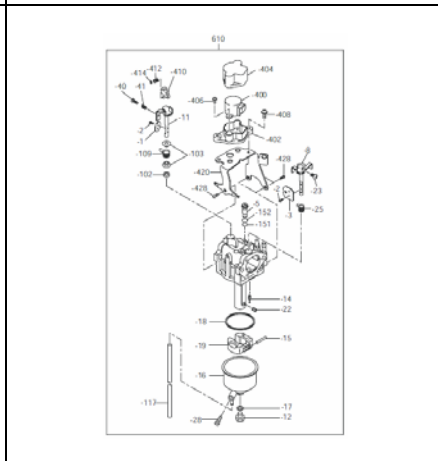
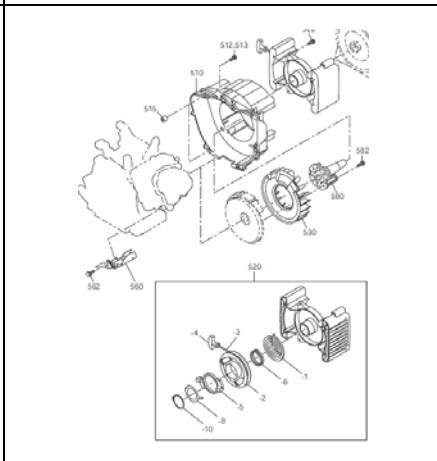
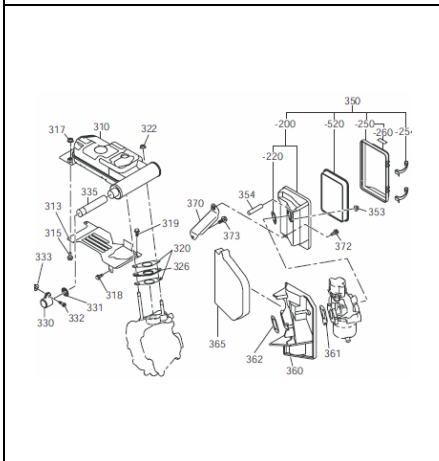
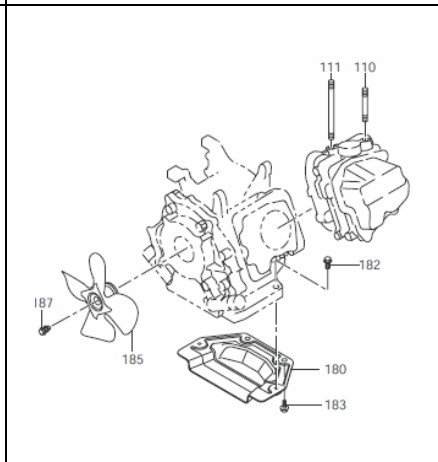
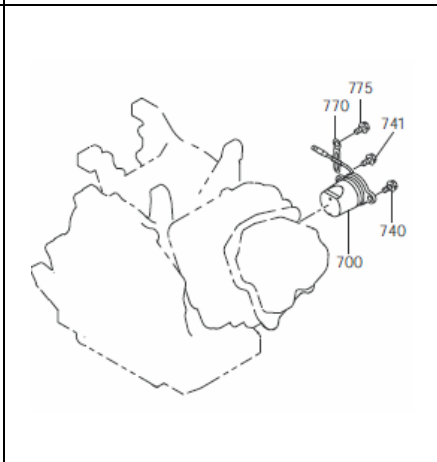
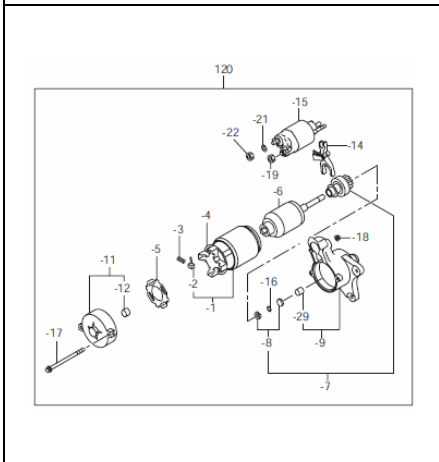
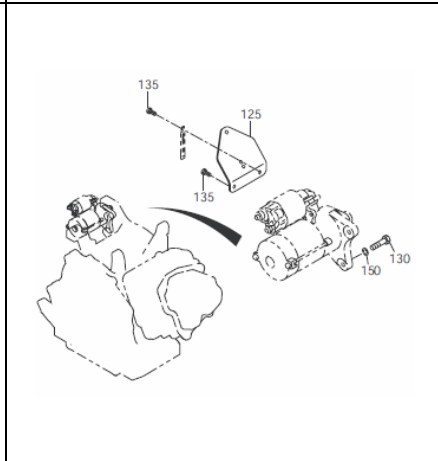
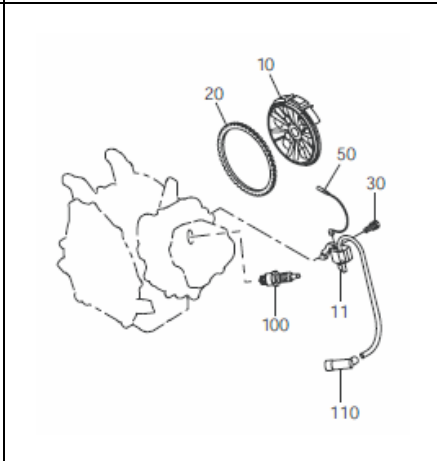
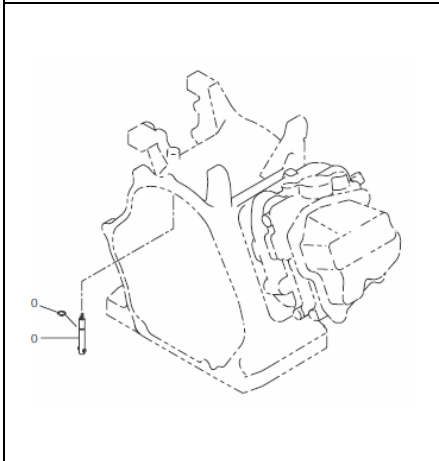
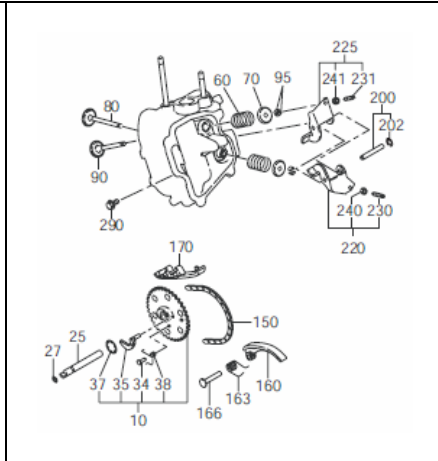
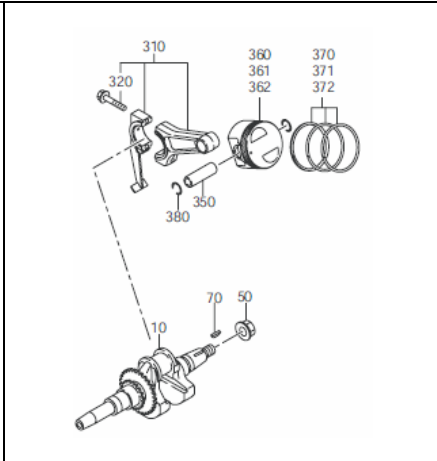
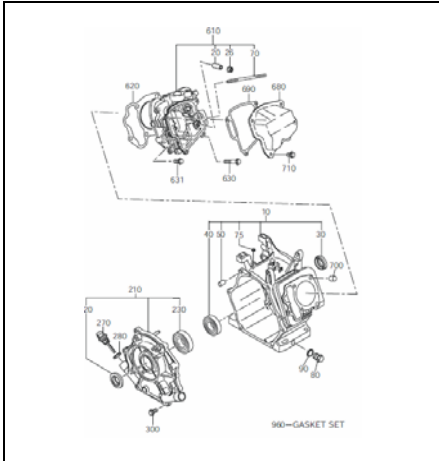
<b>Spec. No. (Engine.)</b>
----------------------------

<b>RAS43023550 (EX270DS2080)</b>
----------------------------------

**FUJI HEAVY INDUSTRIES LTD.**

<b>ISSUE EMD-GP6414</b>
-------------------------

<b>ISSUE DATE</b>	<b>2007.4</b>
-------------------	---------------



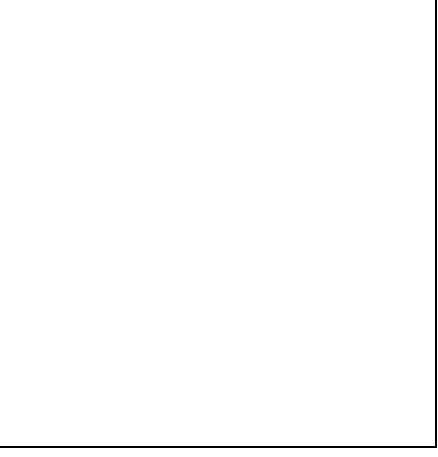
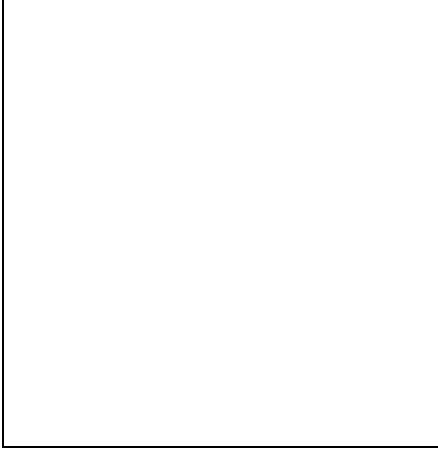
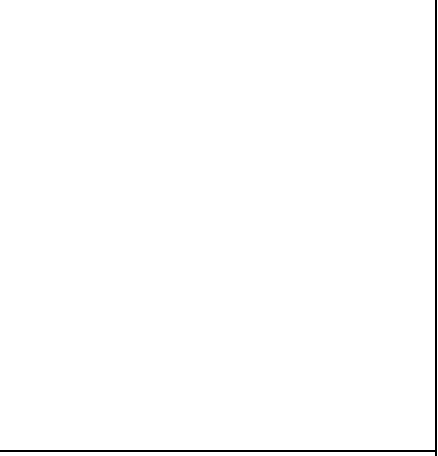
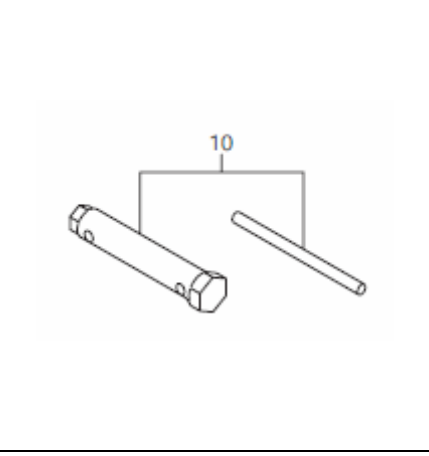
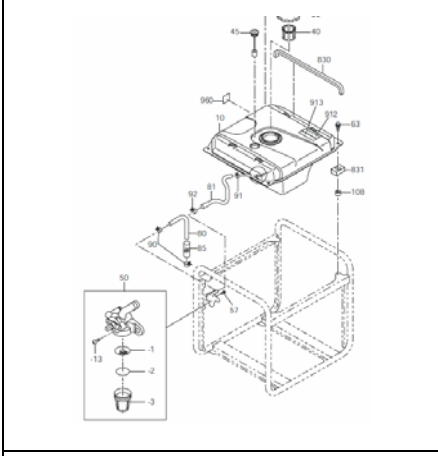
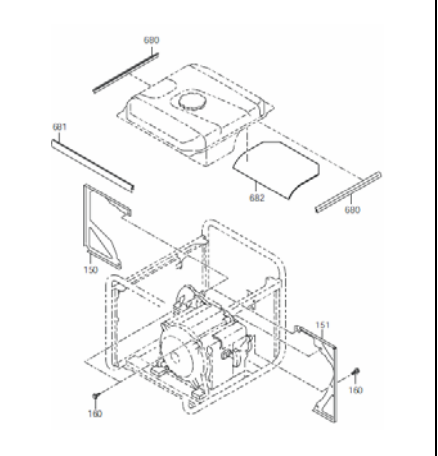
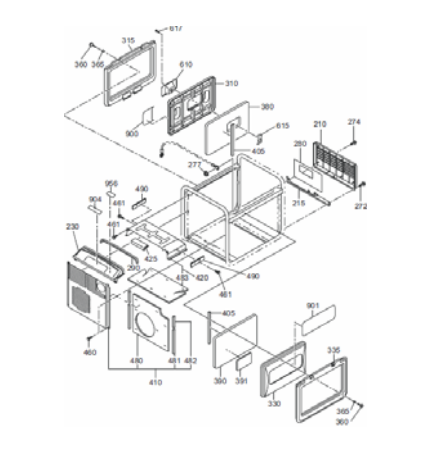
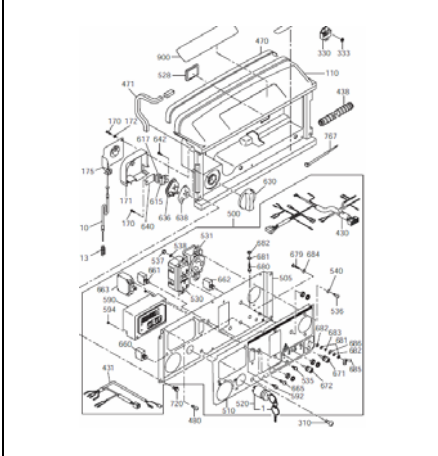
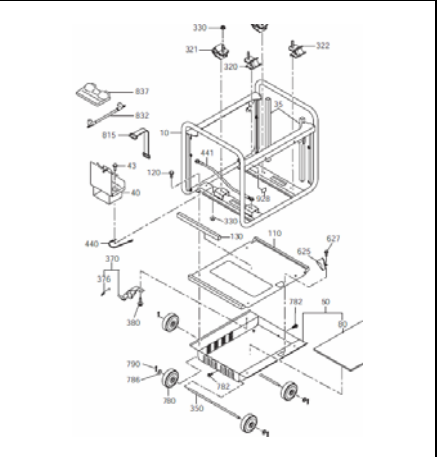
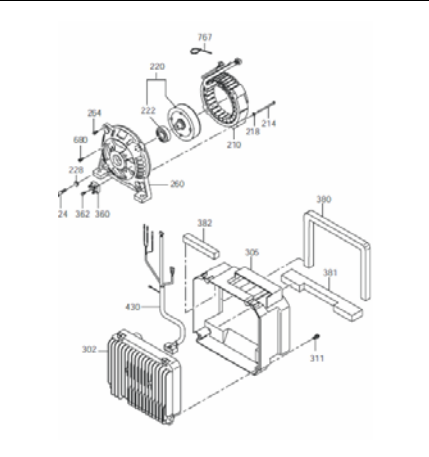
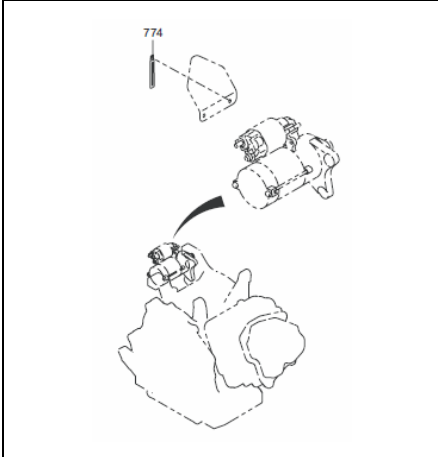


FIG. 100

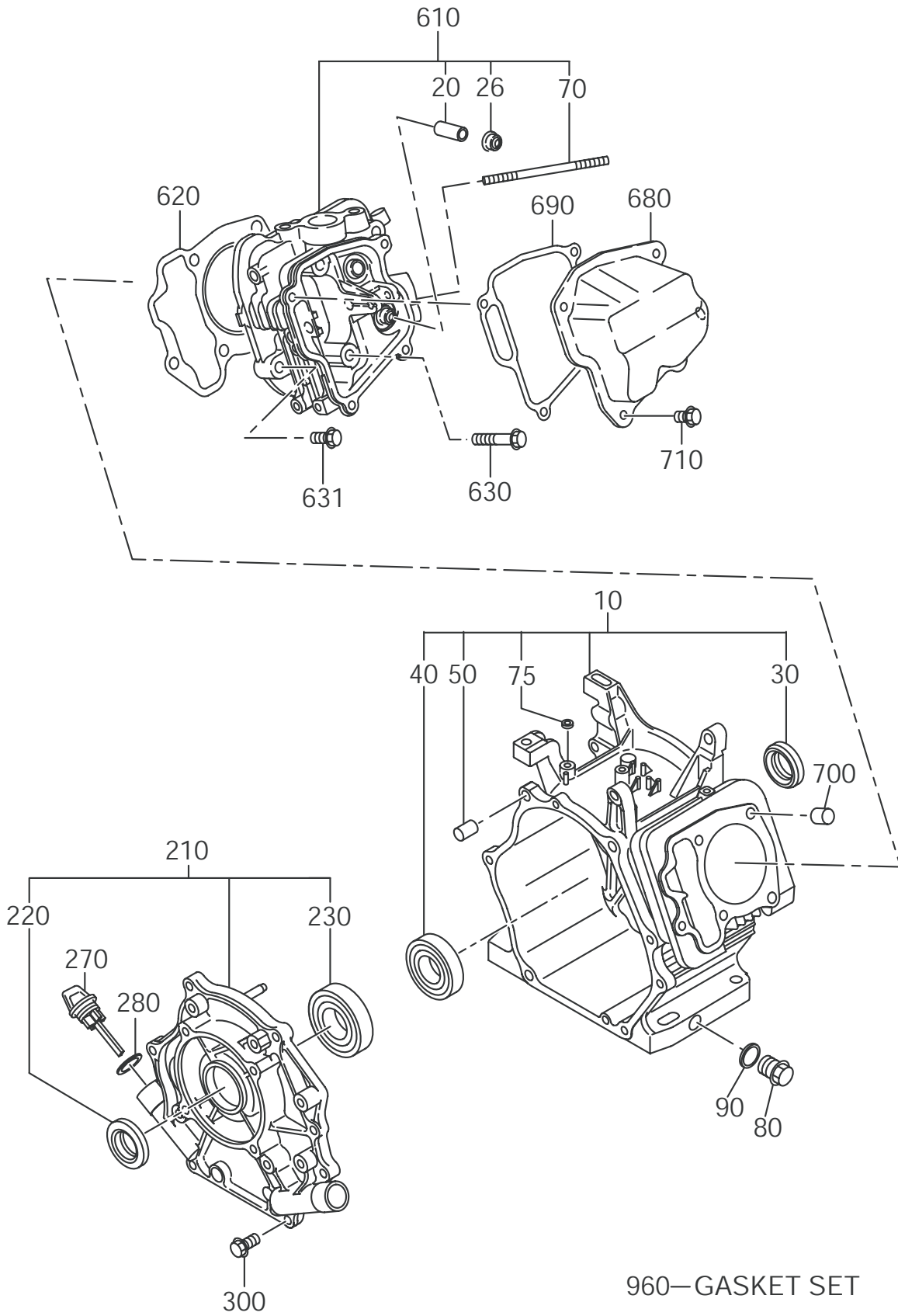




FIG. 200

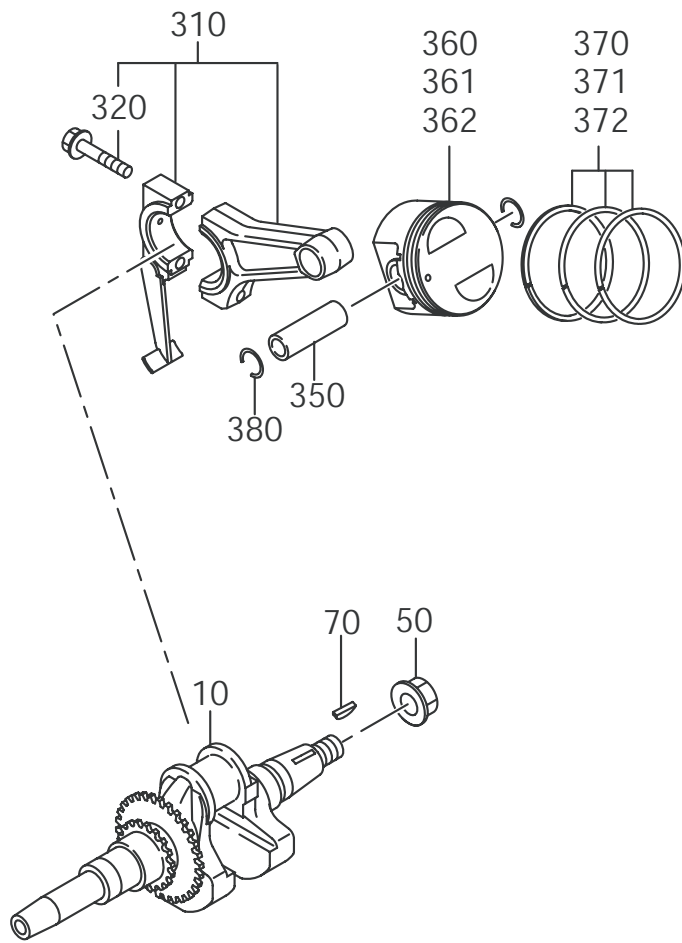




FIG. 300

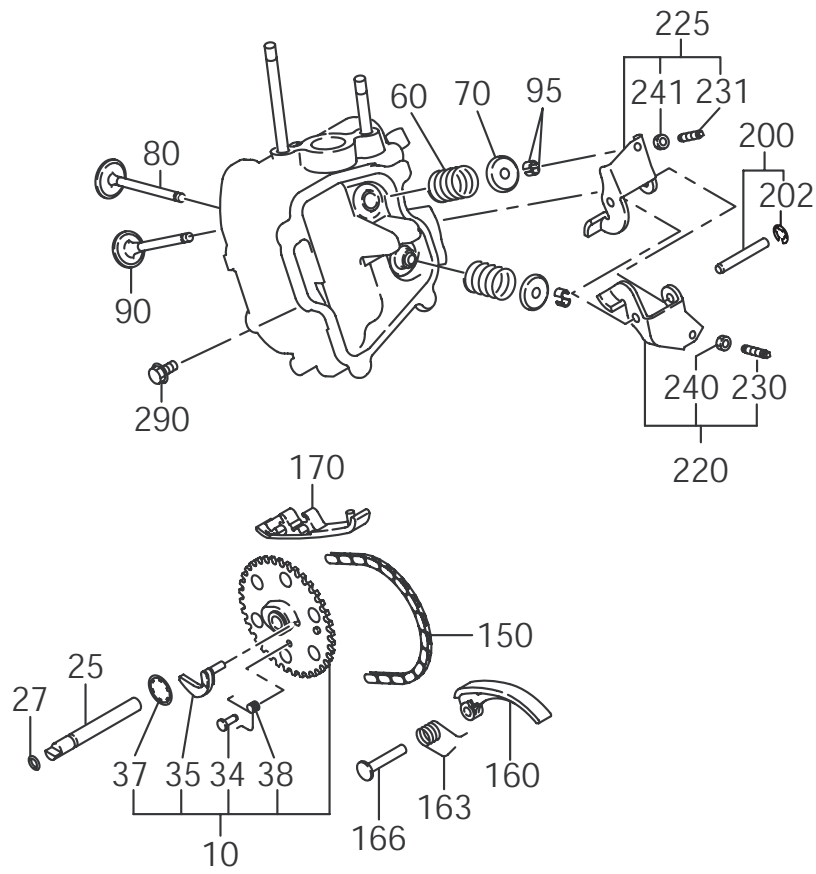






FIG. 400

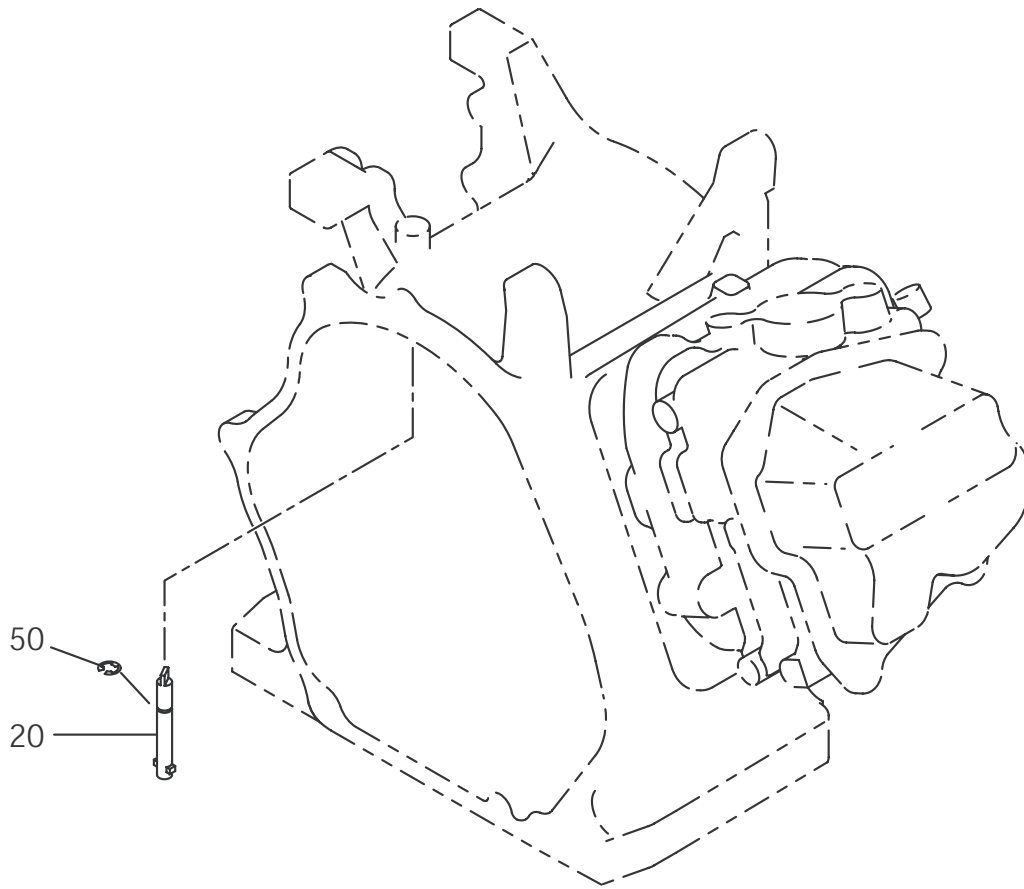




FIG. 700

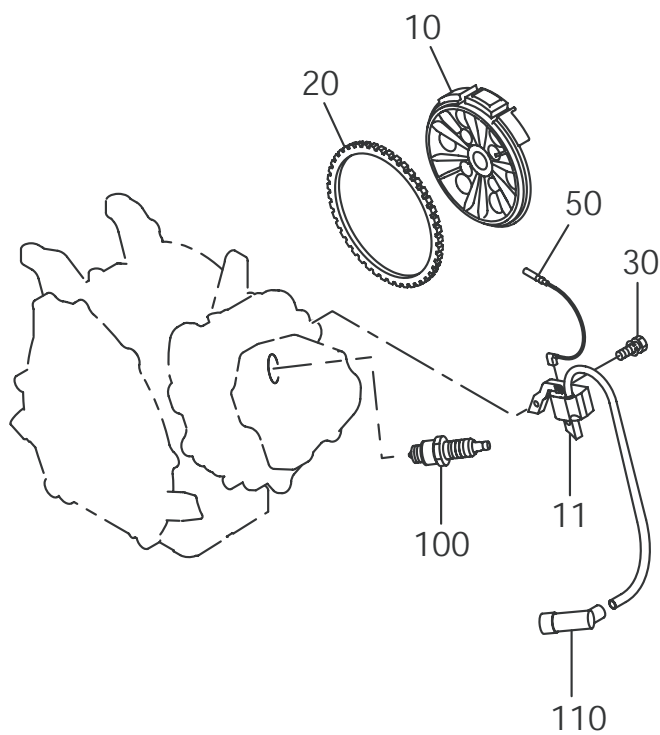




FIG. 720

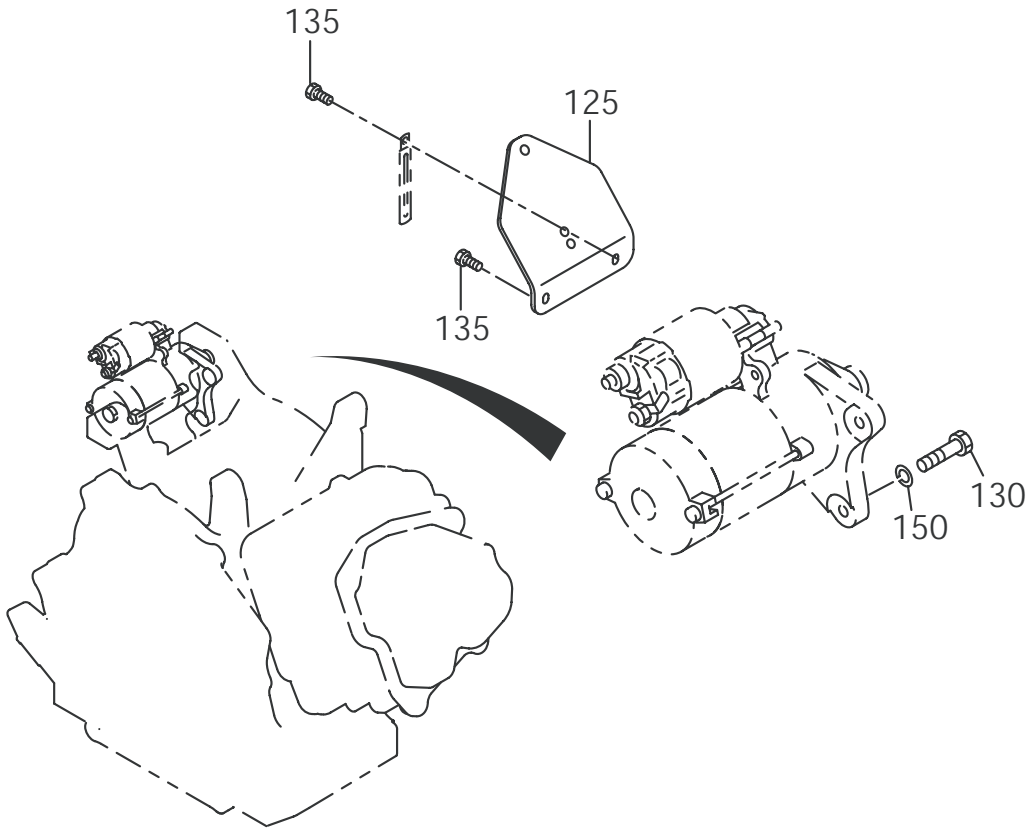




FIG. 730

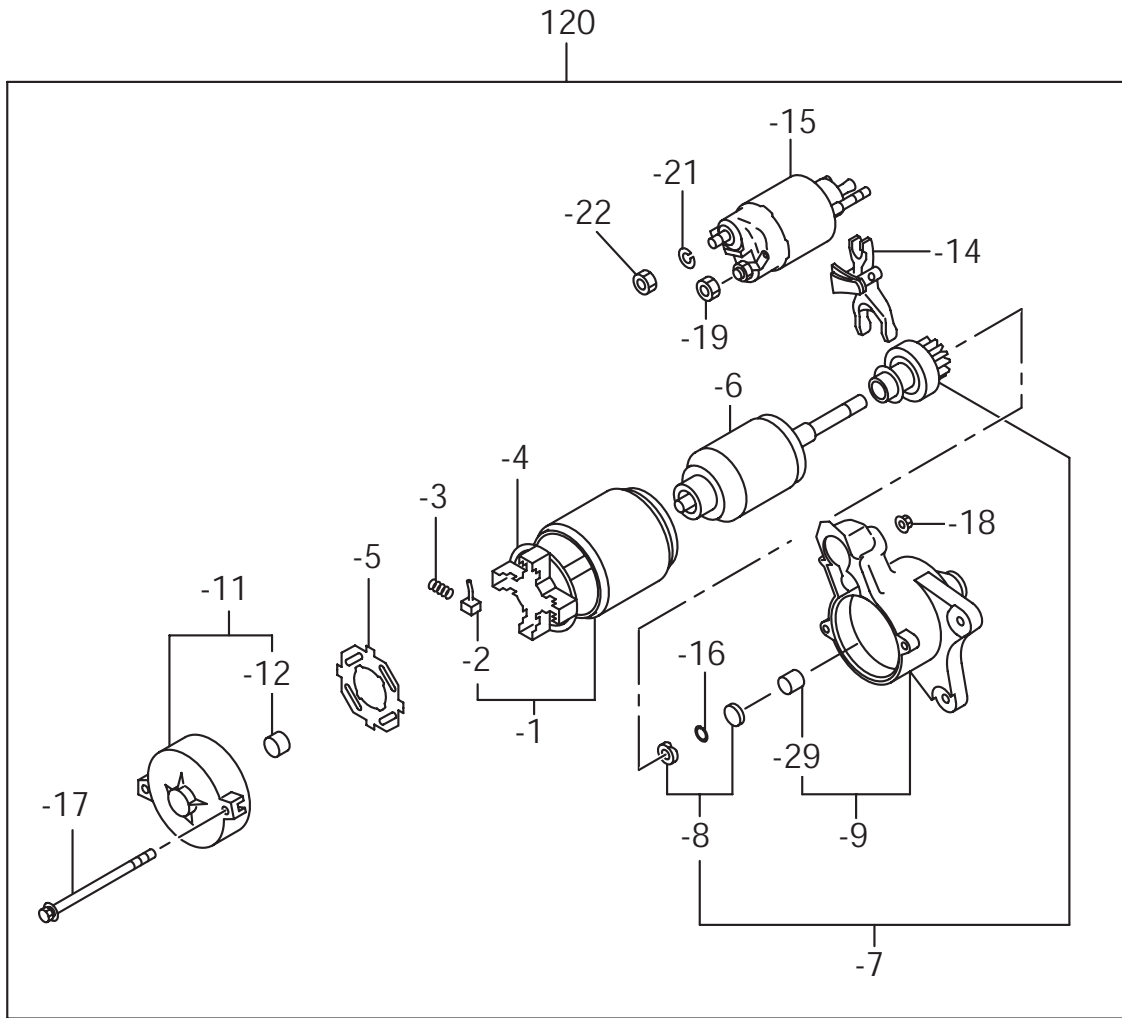






FIG. 770

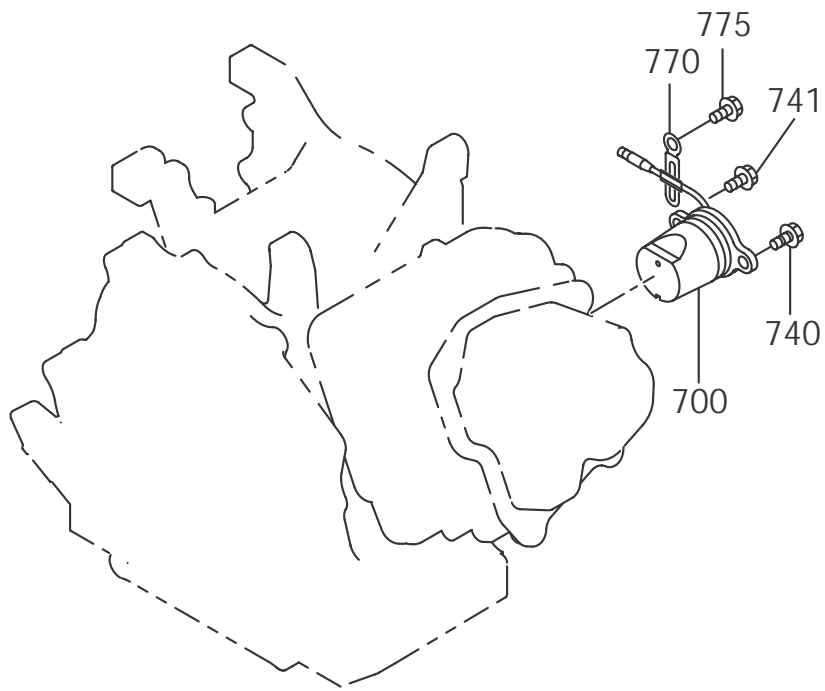




FIG.2110

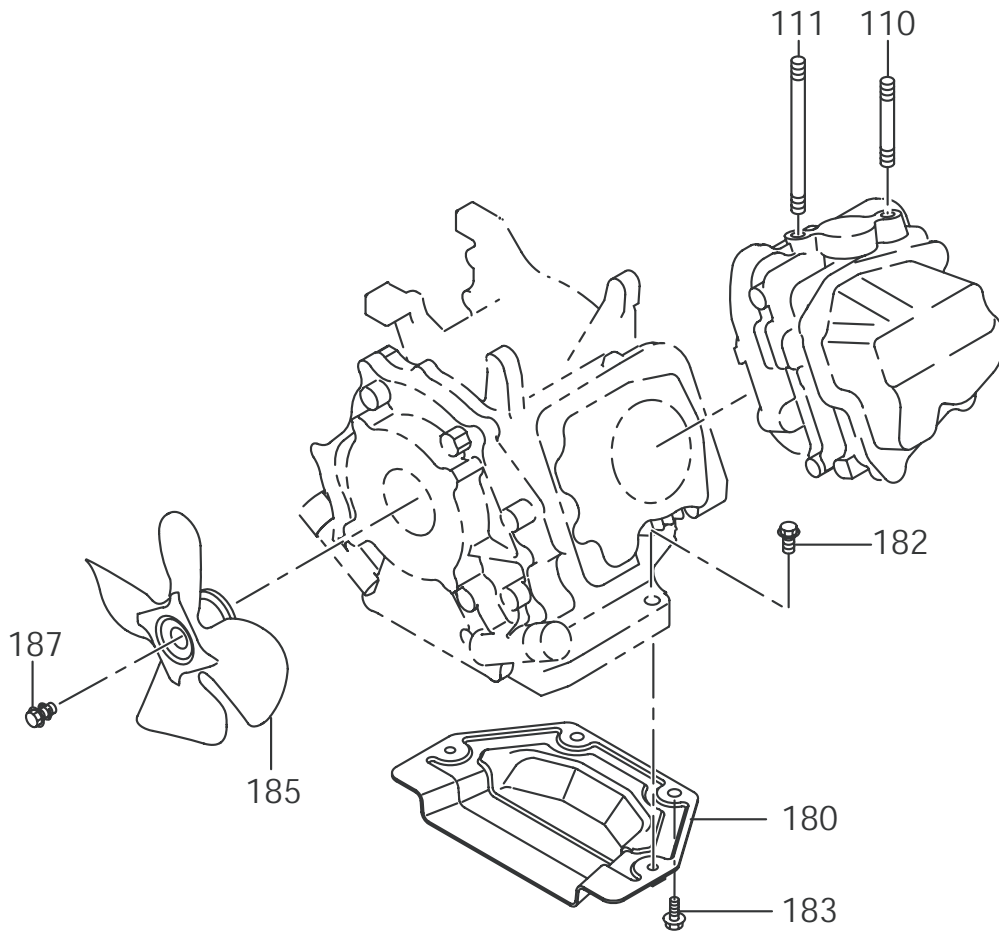




FIG. 2130

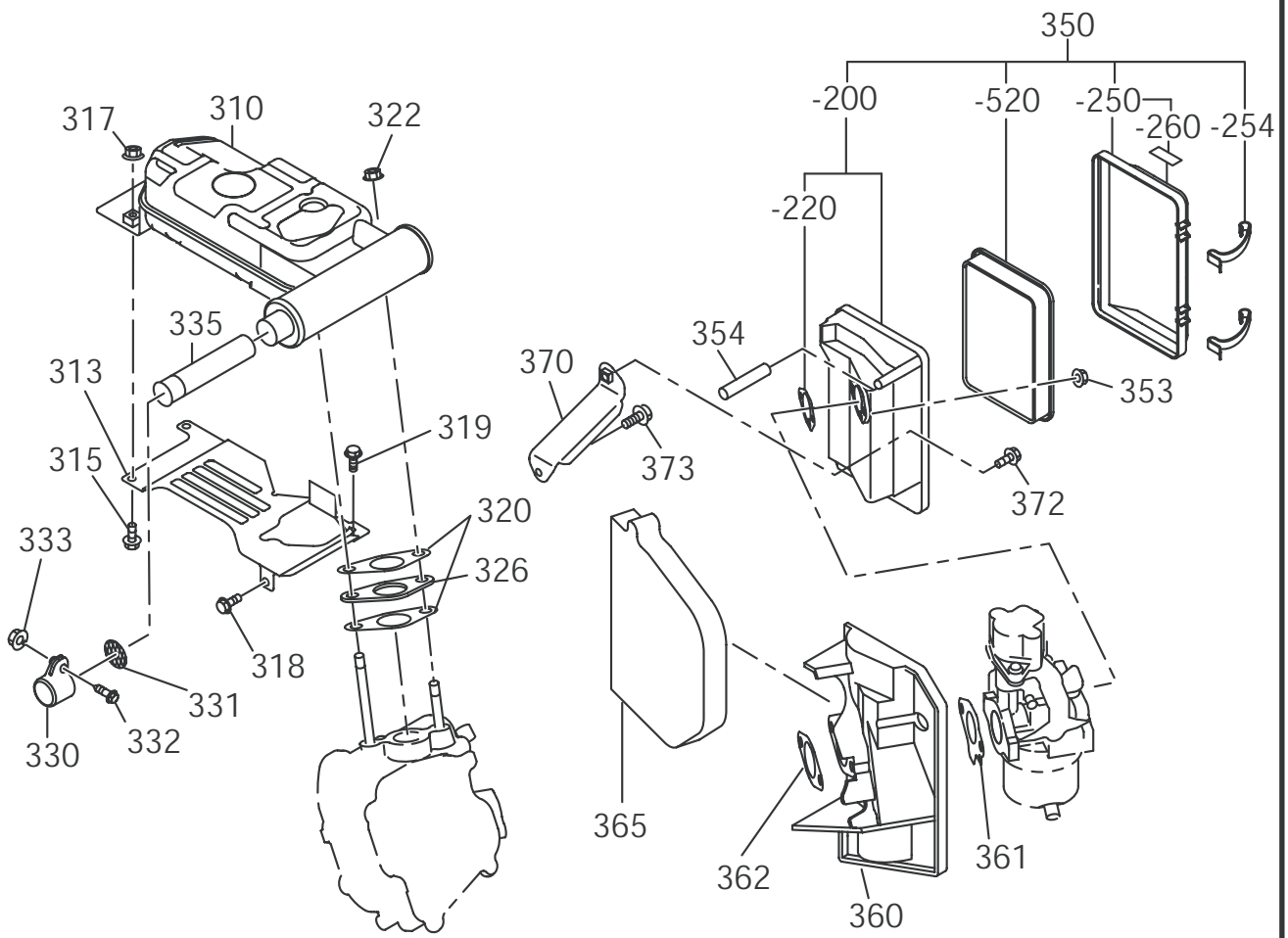




FIG.2150

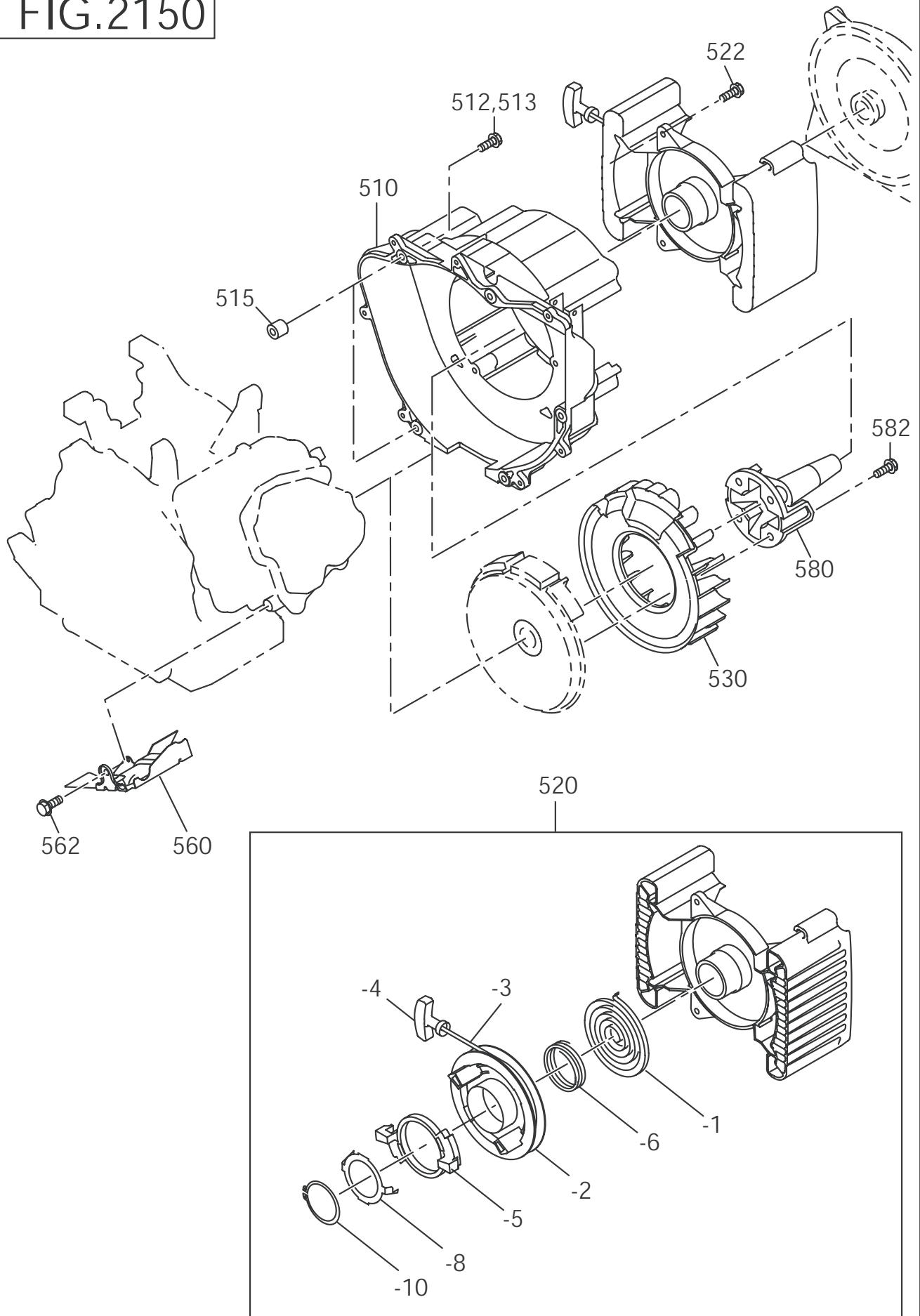






FIG.2160

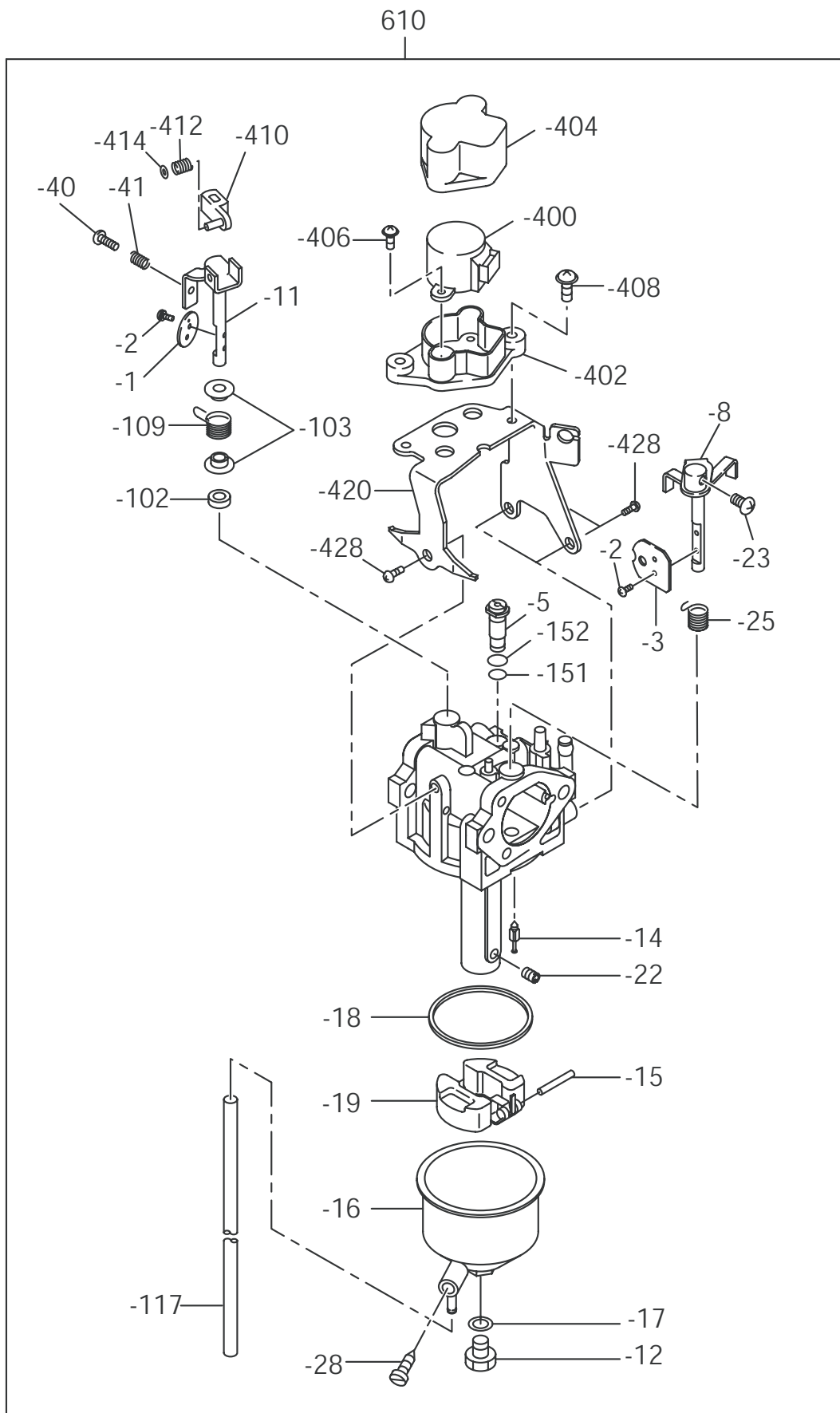




FIG.2170

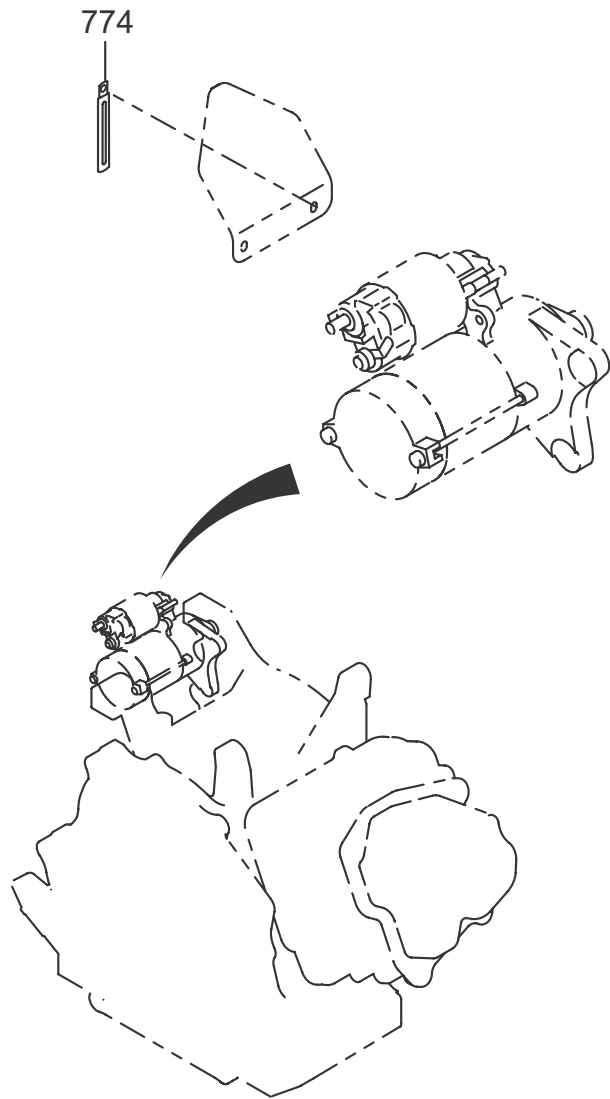




FIG. 2200

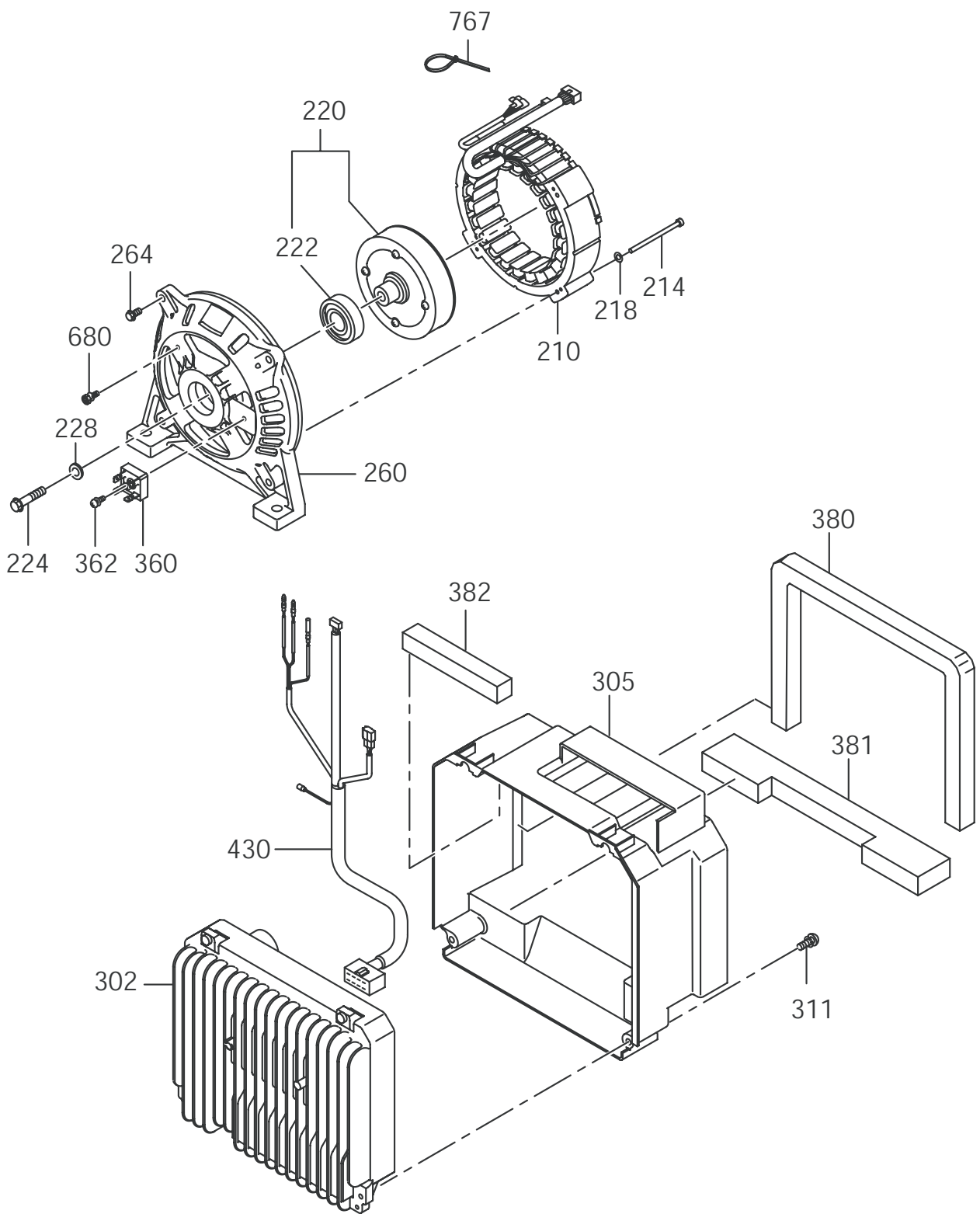




FIG. 2300

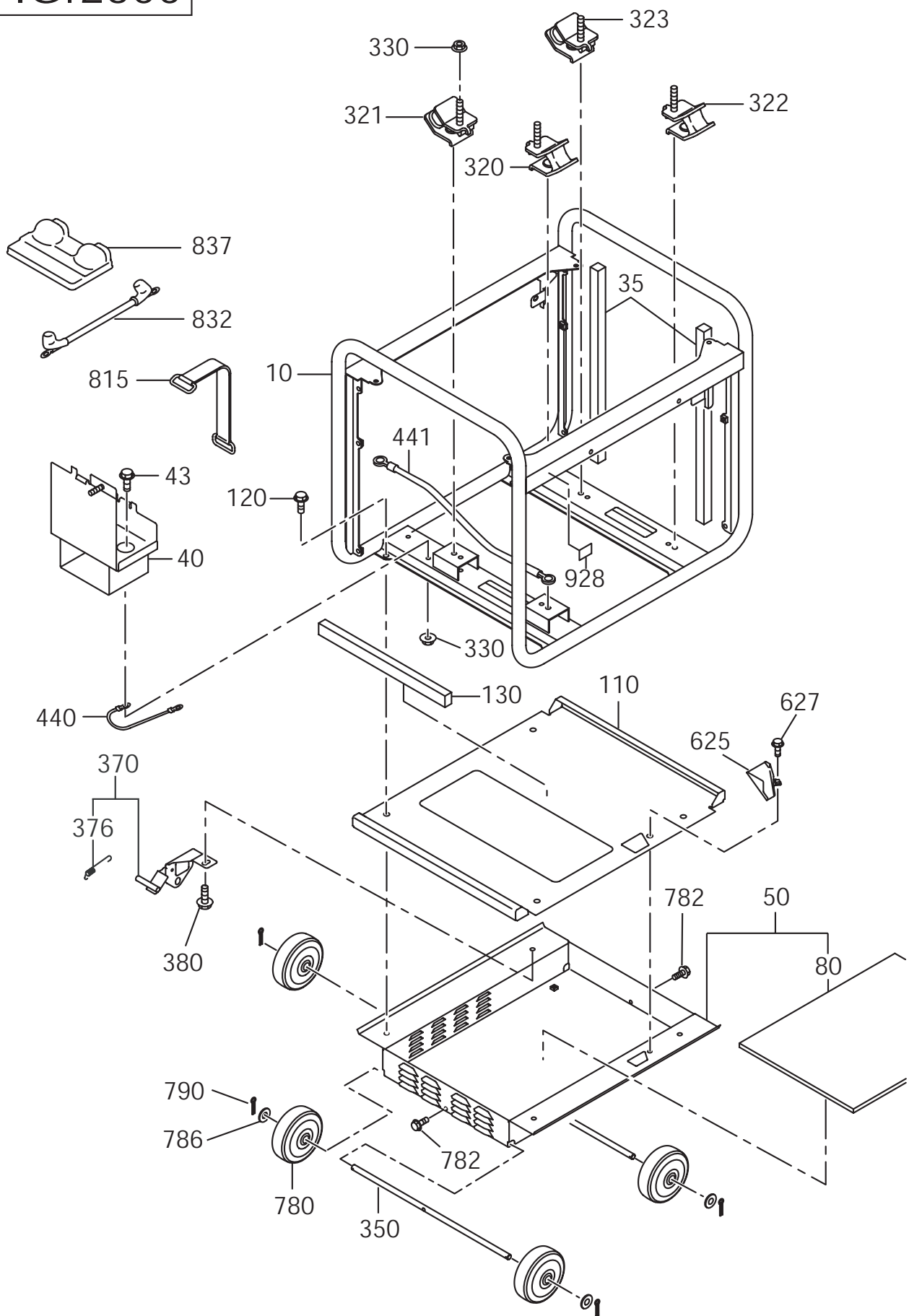
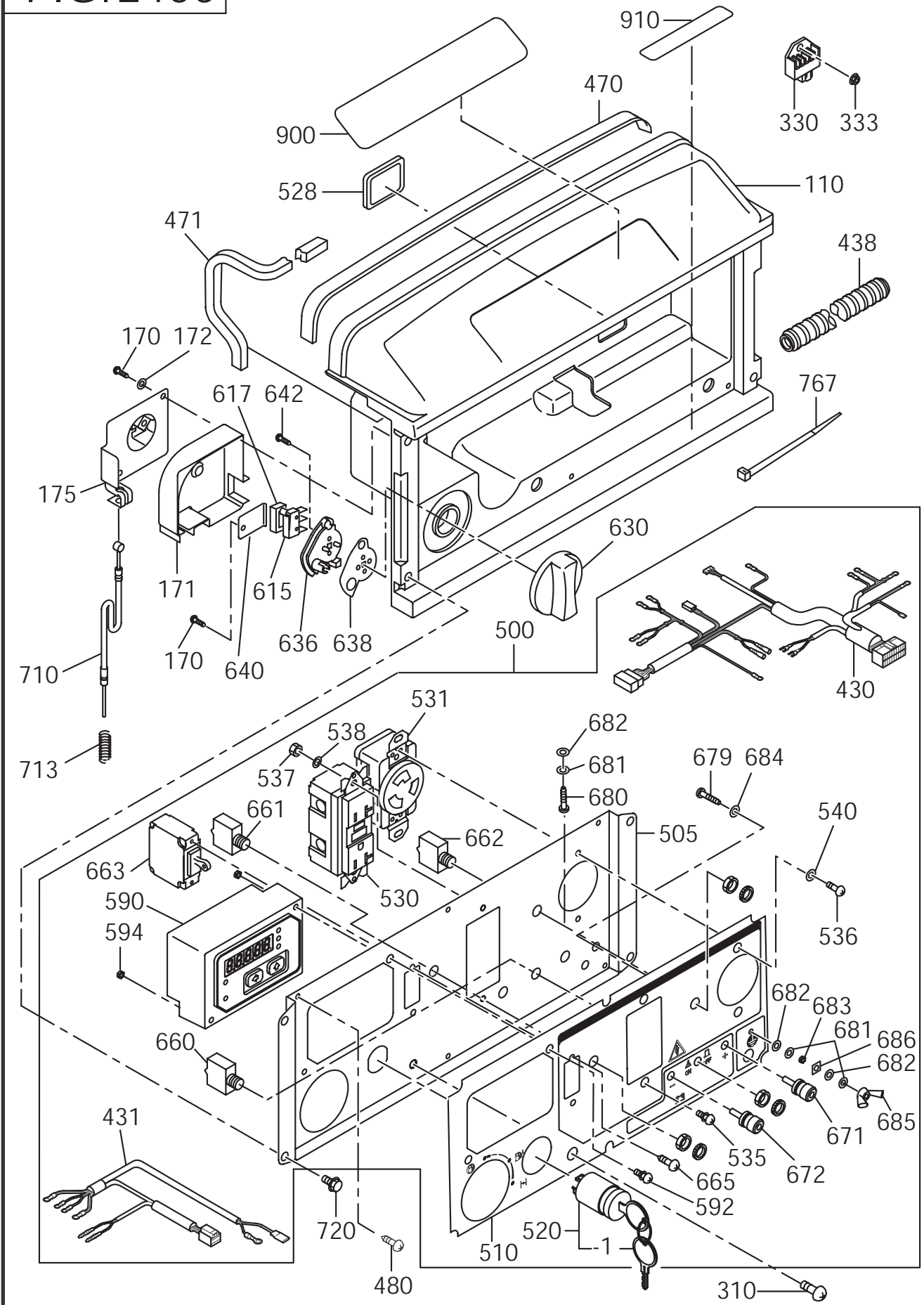






FIG. 2400



## 24 CONTOROL

REF.	PART NUMBER	PART NAME	QTY	R E M A R K S	CODE NO.	INTERCHANGE P/NO.	UNIT P	FIG.
110	33B-50005-01	FRONT COVER CP,UPPER	1		-			2400
170	015-00400-70	TAPPING SCREW	3	M4X20L	-			2400
171	33B-46001-03	COVER(COCK)	1		-			2400
172	003-10040-00	WASHER	2		-			2400
175	33B-46012-11	BRACKET(COCK)	1		-			2400
310	004-36061-60	SCREW AND WASHER AY	2	M6X1.0X16L W/W,SW	-			2400
330	33B-47203-01	REGULATOR CP	1		-			2400
333	002-38060-00	FLANGE NUT	1	M6X1.0X13DX6H	-			2400
430	34B-48005-11	WIRE HARNESS CP	1		-			2400
431	33B-48062-21	WIRE HARNESS CP	1		-			2400
438	34J-49001-03	CORRUGATED TUBE	1		-			2400
470	34B-57311-03	SEAL SPONGE FC2	1		-			2400
471	34G-47001-03	SEAL SPONGE(C.BOX 1)	1		-			2400
480	353-49904-08	TAPPING SCREW	6		-			2400
500	34D-45C21-30	CONTROL PANEL AY	1		-			2400
505	33B-45021-01	PANEL PLATE CP	1		-			2400
510	34B-49135-13	SHEET(PANEL VS)35	1		-			2400
520	066-00003-30	SWITCH	1		-			2400
- 1	066-00099-80	KEY, SWITCH	2	MARK 103	-			2400
528	227-75001-03	GROMMET	1		-			2400
530	388-85003-01	AC RECEPTACLE	1	125V-20A	-			2400
531	356-45711-08	AC RECEPTACLE	1	125V-30A	-			2400
535	004-35041-00	SCREW AND WASHER AY	2		-			2400
536	356-59937-08	SCREW	2		-			2400
537	002-27040-00	NUT	2		-			2400
538	003-10040-00	WASHER	2		-			2400
540	326-00335-08	SPRING WASHER	2		-			2400
590	KU3-11760-11	MONITOR C/U CP(INV1)	1		-			2400
592	013-10400-80	SCREW AND WASHER AY	2		-			2400
594	002-17040-00	NUT	2		-			2400
615	33K-41811-03	MICRO SWITCH	1		-			2400
617	33D-46040-03	SPACER(SWITCH)	1		-			2400
630	33K-42010-03	CONTROL DIAL	1		-			2400
636	33K-42020-03	CHOKE REEL	1		-			2400
638	33K-42030-23	PLATE	1		-			2400
640	33B-46015-01	BRACKET(MICRO)	1		-			2400
642	33K-41814-08	TAPPING SCREW	2		-			2400
660	32B-43402-01	CIRCUIT BREAKER	1		-			2400
661	32B-43404-01	CIRCUIT BREAKER	1		-			2400
662	32B-43405-01	CIRCUIT BREAKER	1		-			2400

FIG. 2400

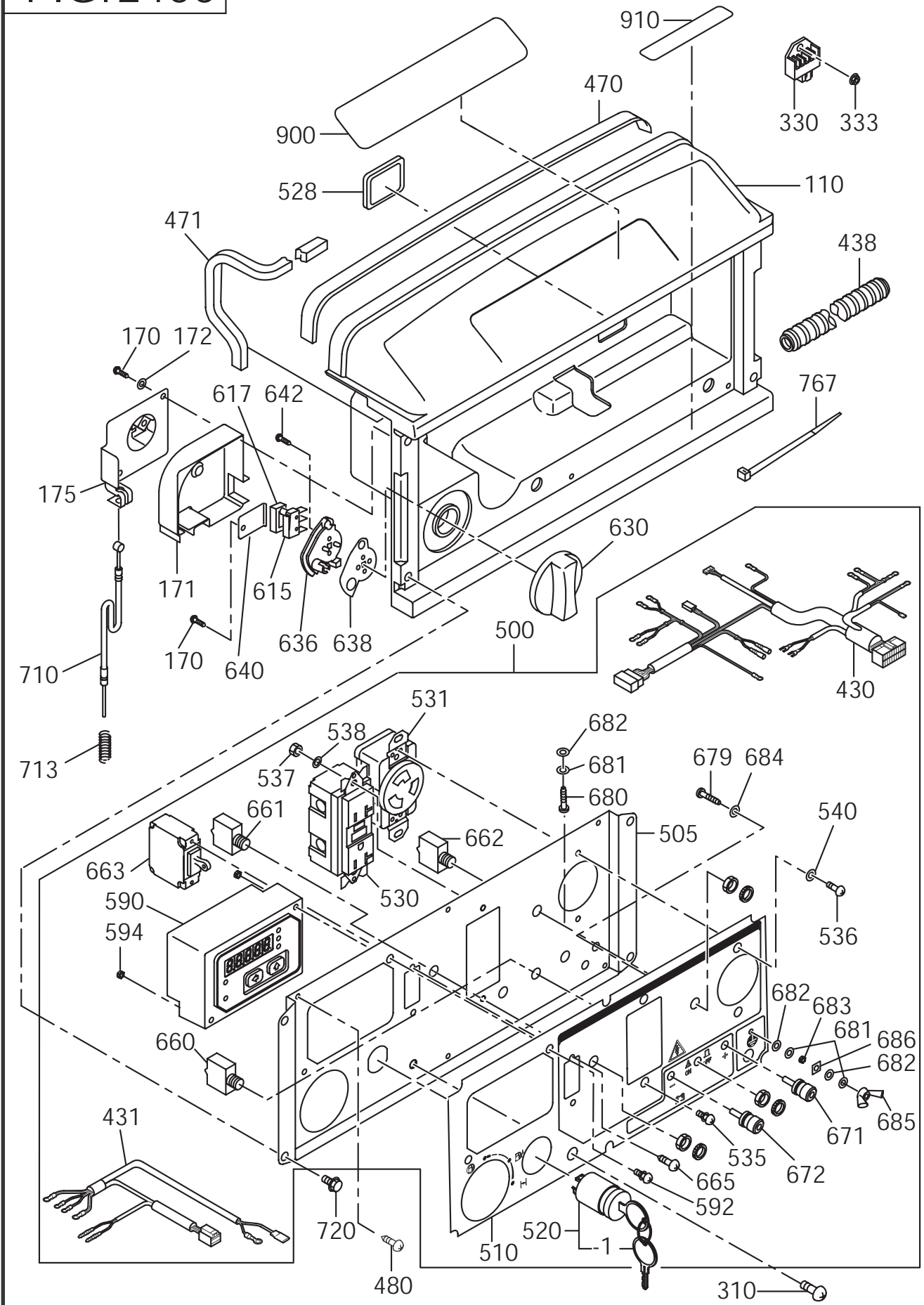




FIG.2500

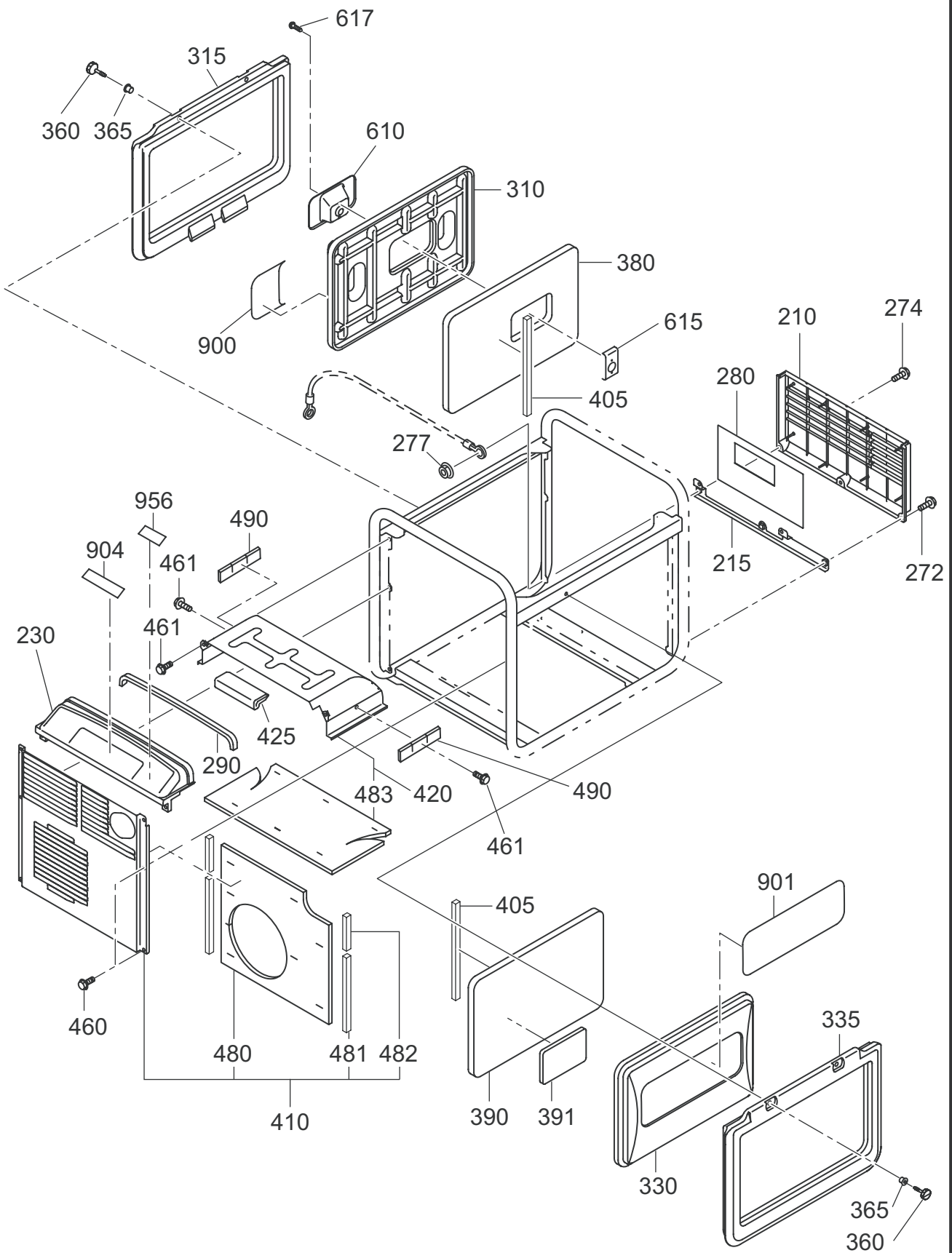




FIG.2510

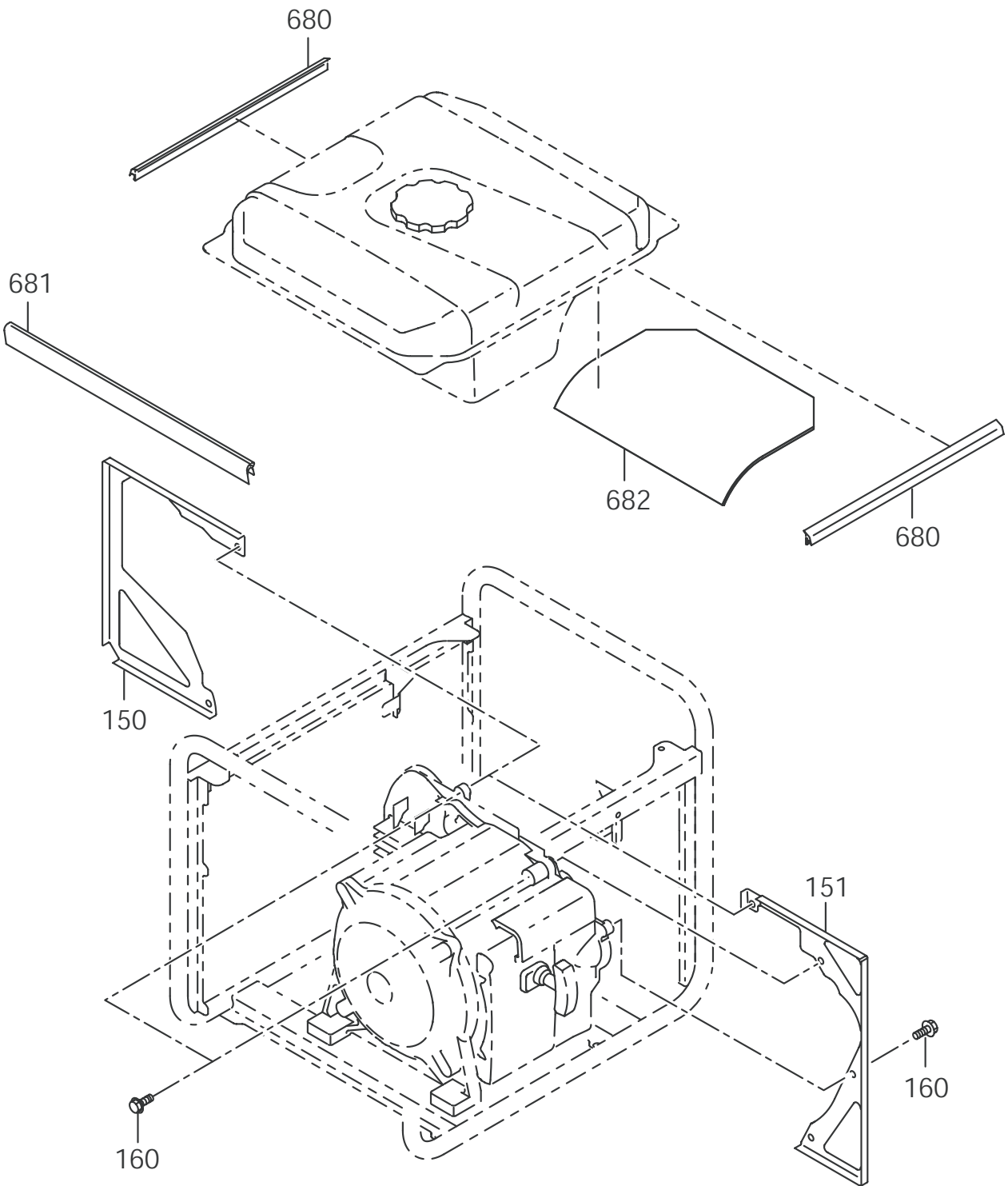






FIG. 2600

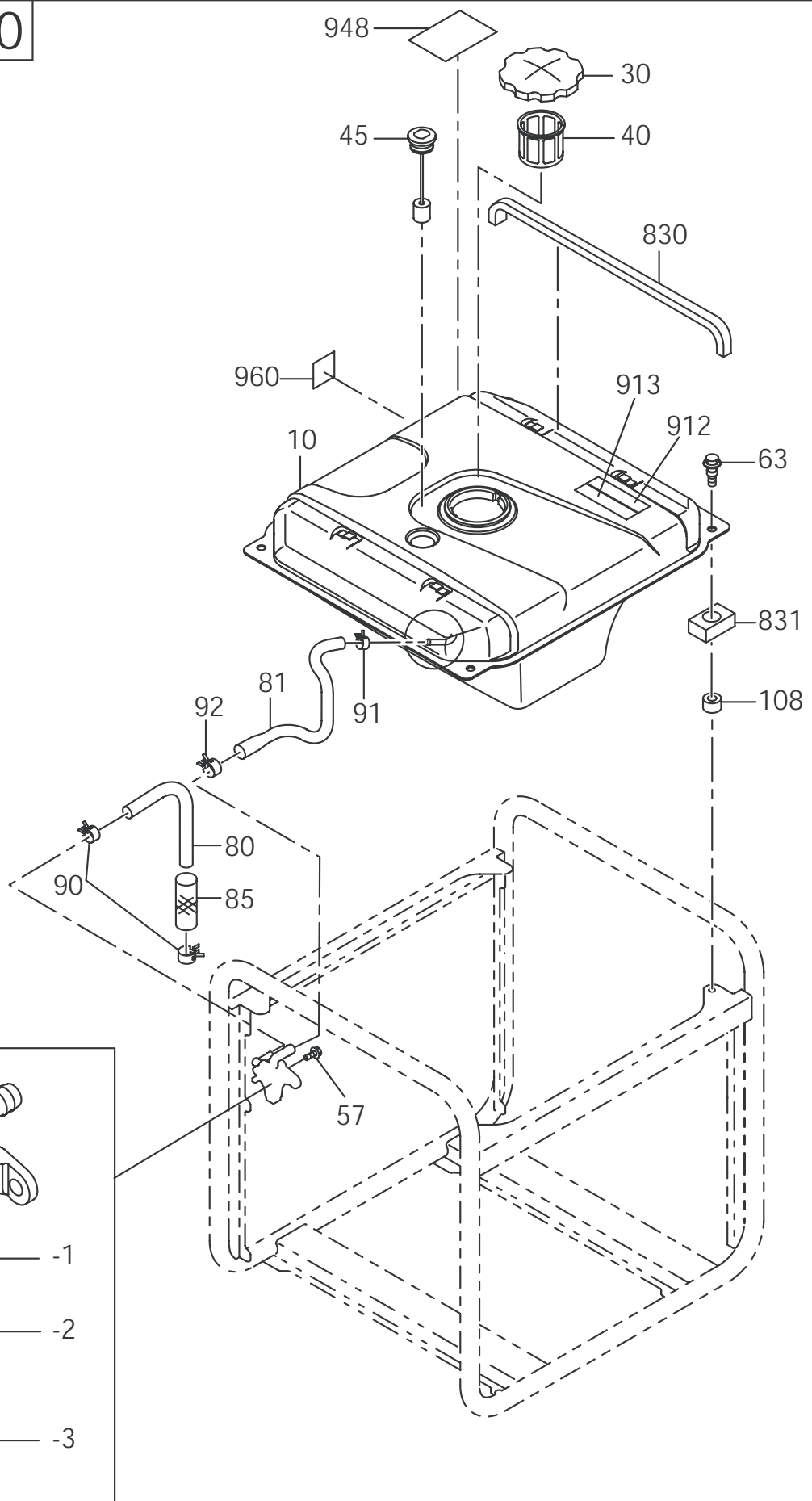
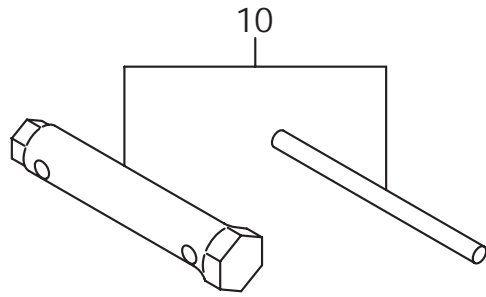




FIG.2900





## Table of abbreviations

ABBREVIATIONS	DESCRIPTION
A	AMPERE
AC	AIR CLEANER
AY	ASSEMBLY
B	BREADTH
BB	BALL BEARING
CD	CENTER DISTANCE
CP	COMPLETE
D	DIAMETER
EX	EXPORT
EX	EXHAUST
FIG	FIGURE
FR	FRONT
H	HEIGHT
HZ	HERTZ
IN	INCH
IN	INTAKE
L	LITER
L	LENGTH
LH	LEFT HAND
MG	MAGNETIC
N	NUMBER
N R Y	NEW ROBIN YELLOW
OS	OIL SENSOR
O.S.	OVER SIZE
P	PITCH
PD	PITCH DIAMETER
PTO	POWER TAKE OFF
REF	REFERENCE
RH	RIGHT HAND
RR	REAR
ST	STARTER
STD	STANDARD
SW	SPRING WASHER
SW	SWITCH
T	THICKNESS
TH	THROTTLE
UN	UNIT
U.S.	UNDER SIZE
V	VOLTAGE
W	WASHER
W	WATT
W	WIDTH
W/	WITH
W/O	WITHOUT