

Operator's Manual

CRAFTSMAN®

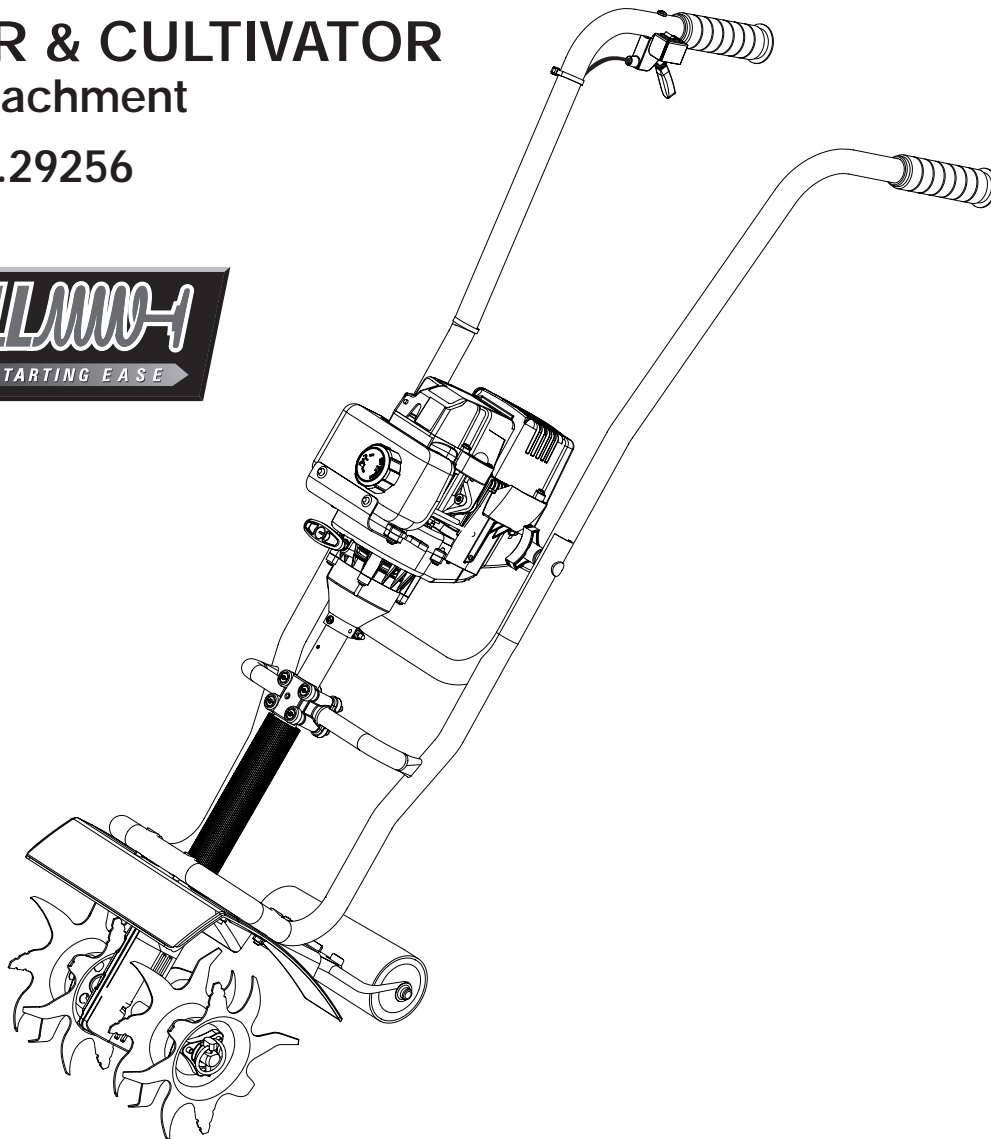
2-Cycle

MINI-TILLER & CULTIVATOR

With Edger Attachment

Model No. 316.29256

INCREDI-PULL™
UNBELIEVABLE STARTING EASE



CAUTION: Before using this product, read this manual and follow all safety rules and operating instructions.

Español, p. 19

Sears, Roebuck and Co., Hoffman Estates, IL 60179, U.S.A.
Visit our website: www.sears.com/craftsman

P/N 769-01154 (2/04)
PRINTED IN USA

INTRODUCTION

TABLE OF CONTENTS

Warranty	2	Operating Instructions	11
Service Information	2	Maintenance and Repair Instructions	12
Rules for Safe Operation	3	Cleaning and Storage	15
Know Your Unit	6	Troubleshooting Chart	16
Assembly Instructions	7	Specifications	17
Oil and Fuel Information	9	EPA Warranty Information	18
Starting/Stopping Instructions	10	Parts List	35
		Repair Protection Agreement	Inside Back Cover
		Service Numbers	Back Cover

WARRANTY

Full Two-Year Warranty on Craftsman Mini-Tiller and Cultivator

For two (2) years from the date of purchase, if this Craftsman Equipment is maintained, lubricated, and tuned up according to the instructions to the operator's manual, Sears will repair or replace free of charge any parts found to be defective in material or workmanship. Warranty service is available free of charge by returning Craftsman equipment to your nearest Sears Service Center. In-home warranty service is available but a trip charge will apply. This Warranty applies only while this product is in the United States.

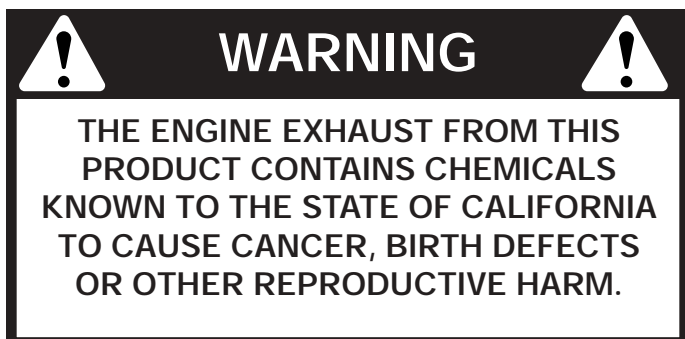
This Warranty does not cover:

- Expendable items which become worn during normal use, such as spark plugs, air cleaners, belts, and oil filters.
- Tire replacement or repair caused by punctures from outside objects, such as nails, thorns, stumps, or glass.
- Repairs necessary because of operator abuse, including but not limited to, damage caused by objects, such as stones or metal debris, oversized stock, impacting objects that bend the frame or crankshaft, or over-speeding the engine.
- Repairs necessary because of operator negligence, including but not limited to, electrical and mechanical damage caused by improper storage, failure to use the proper grade and amount of engine oil, or failure to maintain the equipment according to the instructions contained in the operator's manual.
- Engine (fuel system) cleaning or repairs caused by fuel determine to be contaminated or oxidized (stale). In general, fuel should be used **within 30 days** of its purchase date.
- Equipment used for commercial or rental purposes.

TO LOCATE THE NEAREST SEARS SERVICE CENTER OR TO SCHEDULE SERVICE, SIMPLY CONTACT SEARS AT 1-800-4-MY-HOME®.

This warranty gives you specific legal rights and you may also have other rights, which vary from state to state.

CALIFORNIA PROPOSITION 65 WARNING



SPARK ARRESTOR NOTE

NOTE: For users on U.S. Forest Land and in the states of California, Maine, Oregon and Washington. All U.S. Forest Land and the state of California (Public Resources Codes 4442 and 4443), Oregon and Washington require, by law that certain internal combustion engines operated on forest brush and/or grass-covered areas be equipped with a spark arrestor, maintained in effective working order, or the engine be constructed, equipped and maintained for the prevention of fire. Check with your state or local authorities for regulations pertaining to these requirements. Failure to follow these requirements could subject you to liability or a fine. **This unit is factory equipped with a spark arrestor.** If it requires replacement, ask your LOCAL SERVICE DEALER to install the **Accessory Part #182747 Spark Arrestor Kit.**

RULES FOR SAFE OPERATION

The purpose of safety symbols is to attract your attention to possible dangers. The safety symbols, and their explanations, deserve your careful attention and understanding. The safety warnings do not by themselves eliminate any danger. The instructions or warnings they give are not substitutes for proper accident prevention measures.

SYMBOL	MEANING
--------	---------

	SAFETY ALERT: Indicates danger, warning or caution. Attention is required in order to avoid serious personal injury. May be used in conjunction with other symbols or pictographs.
---	---


NOTE: Advises you of information or instructions vital to the operation or maintenance of the equipment.


Read the Operator's Manual(s) and follow all warnings and safety instructions.

Failure to do so can result in serious injury to the operator and/or bystanders.

SYMBOL	MEANING
--------	---------


	DANGER: Failure to obey a safety warning will result in serious injury to yourself or to others. Always follow the safety precautions to reduce the risk of fire, electric shock and personal injury.
---	--

	WARNING: Failure to obey a safety warning can result in injury to yourself and others. Always follow the safety precautions to reduce the risk of fire, electric shock and personal injury.
---	--

	CAUTION: Failure to obey a safety warning may result in property damage or personal injury to yourself or to others. Always follow the safety precautions to reduce the risk of fire, electric shock and personal injury.
---	--

• IMPORTANT SAFETY INSTRUCTIONS •

READ ALL INSTRUCTIONS BEFORE OPERATING

	WARNING: When using the unit, you must follow the safety rules. Please read these instructions before operating the unit in order to ensure the safety of the operator and any bystanders. Please keep these instructions for later use.
---	---

- Read the instructions carefully. Be familiar with the controls and proper use of the unit.
- Do not operate this unit when tired, ill, or under the influence of alcohol, drugs, or medication.
- Children and teens under the age of 15 must not use the unit, except for teens guided by an adult.
- All guards and safety attachments must be installed properly before operating the unit.
- Inspect the unit before use. Replace damaged parts. Check for fuel leaks. Make sure all fasteners are in place and secure. Replace parts that are cracked, chipped, or damaged in any way. Do not operate the unit with loose or damaged parts.

- Carefully inspect the area before starting the unit. Remove all debris and hard or sharp objects such as glass, wire, etc.
- Be aware of the risk of injury to the head, hands and feet.
- Clear the area of children, bystanders, and pets. At a minimum, keep all children, bystanders, and pets outside a 50 feet (15 m.) radius; there still may be a risk to bystanders from thrown objects. Bystanders should be encouraged to wear eye protection. If you are approached, stop the unit immediately.
- Squeeze the throttle control and check that it returns automatically to the idle position. Make all adjustments or repairs before using unit.

SAFETY WARNINGS FOR GAS UNITS

	WARNING: Gasoline is highly flammable, and its vapors can explode if ignited. Take the following precautions:
---	--

- Store fuel only in containers specifically designed and approved for the storage of such materials.
- Avoid creating a source of ignition for spilled fuel. Do not start the engine until fuel vapors dissipate.

RULES FOR SAFE OPERATION

- Always stop the engine and allow it to cool before filling the fuel tank. Never remove the cap of the fuel tank, or add fuel, when the engine is hot. Never operate the unit without the fuel cap securely in place. Loosen the fuel tank cap slowly to relieve any pressure in the tank.
- Mix and add fuel in a clean, well-ventilated outdoor area where there are no sparks or flames. Slowly remove the fuel cap only after stopping engine. Do not smoke while fueling or mixing fuel. Wipe up any spilled fuel from the unit immediately. Always wipe unit dry before using.
- Move the unit at least 30 feet (9.1 m) from the fueling source and site before starting the engine. Do not smoke or allow sparks and open flames near the area while adding fuel or operating the unit.

WHILE OPERATING

- Never start or run the unit inside a closed room or building. Breathing exhaust fumes can kill. Operate this unit only in a well ventilated outdoor area.
- Wear safety glasses or goggles that are marked as meeting ANSI Z87.1-1989 standards. Also wear ear/hearing protection when operating this unit. Wear a face or dust mask if the operation is dusty. Long sleeve shirts are recommended.
- Wear heavy, long pants, boots and gloves. Do not wear loose clothing, jewelry, short pants, sandals or go barefoot. Secure hair above shoulder level.
- This unit has a clutch. The tines remains stationary when the engine is idling. If it does not, have the unit adjusted by an authorized service technician.
- Be sure the tines are not in contact with anything before starting the unit.
- Use the unit only in daylight or good artificial light.
- Avoid accidental starting. The operator and unit must be in a stable position while starting. See *Starting/Stopping Instructions*.
- Use the right tool. Only use this tool for the purpose intended.
- Use extreme caution when reversing or pulling the unit towards you.
- Do not overreach. Always keep proper footing and balance. Take extra care when working on steep slopes or inclines.
- Always hold the unit with both hands when operating. Keep a firm grip on the grips.
- Keep hands, face, and feet at a distance from all moving parts. Do not touch or try to stop the tines when they are rotating.

- Do not touch the engine or muffler. These parts get extremely hot from operation. They remain hot for a short time after you turn off the unit.
- Do not operate the engine faster than the speed needed to cultivate. Do not run the engine at high speed when you are not cultivating.
- Always stop the engine when cultivating is delayed or when walking from one cultivating location to another.
- If you strike or become entangled with a foreign object, stop the engine immediately and check for damage. Do not operate before repairing damage. Do not operate the unit with loose or damaged parts.
- Stop and switch the engine to off for maintenance, repair, or to install or remove the tines.
- Use only original equipment manufacturer replacement parts and accessories for this unit. These are available from your authorized service dealer. Use of any unauthorized parts or accessories could lead to serious injury to the user, or damage to the unit, and void your warranty.
- Keep unit clean of vegetation and other materials. They may become lodged between the tines and guard.
- To reduce fire hazard, replace faulty muffler and spark arrestor, keep the engine and muffler free from grass, leaves, excessive grease or carbon build up.

OTHER SAFETY WARNINGS

- Never store the unit, with fuel in the tank, inside a building where fumes may reach an open flame or spark.
- Allow the engine to cool before storing or transporting. Be sure to secure the unit while transporting.
- Store the unit in a dry area, locked up or up high to prevent unauthorized use or damage, out of the reach of children.
- Never douse or squirt the unit with water or any other liquid. Keep handles dry, clean and free from debris. Clean after each use. See the *Cleaning and Storage* instructions.
- Keep these instructions. Refer to them often and use them to instruct other users. If you loan someone this unit, also loan them these instructions.

**SAVE THESE
INSTRUCTIONS**

RULES FOR SAFE OPERATION

SAFETY AND INTERNATIONAL SYMBOLS

This operator's manual describes safety and international symbols and pictographs that may appear on this product. Read the operator's manual for complete safety, assembly, operating and maintenance and repair information.

SYMBOL



MEANING

- SAFETY ALERT SYMBOL

Indicates danger, warning, or caution. May be used in conjunction with other symbols or pictographs.



- WARNING - READ OPERATOR'S MANUAL

Read the Operator's Manual(s) and follow all warnings and safety instructions. Failure to do so can result in serious injury to the operator and/or bystanders.



- WEAR EYE AND HEARING PROTECTION

WARNING: Thrown objects and loud noise can cause severe eye injury and hearing loss. Wear eye protection meeting ANSI Z87.1-1989 standards and ear protection when operating this unit. Use a full face shield when needed.



- KEEP BYSTANDERS AWAY

WARNING: Keep all bystanders, especially children and pets, at least 50 feet (15 m.) from the operating area.



- UNLEADED FUEL

Always use clean, fresh unleaded fuel.



- OIL

Refer to operator's manual for the proper type of oil.

SYMBOL



MEANING

- THROWN OBJECTS AND ROTATING CUTTER CAN CAUSE SEVERE INJURY

WARNING: Do not operate without the proper guards in place. Keep away from the rotating tines.



- ON/OFF STOP CONTROL

ON / START / RUN



- ON/OFF STOP CONTROL

OFF or STOP



- HOT SURFACE WARNING

Do not touch a hot muffler or cylinder. You may get burned. These parts get extremely hot from operation. When turned off they remain hot for a short time.



- GARDEN CULTIVATORS – ROTATING TINES CAN CAUSE SEVERE INJURY

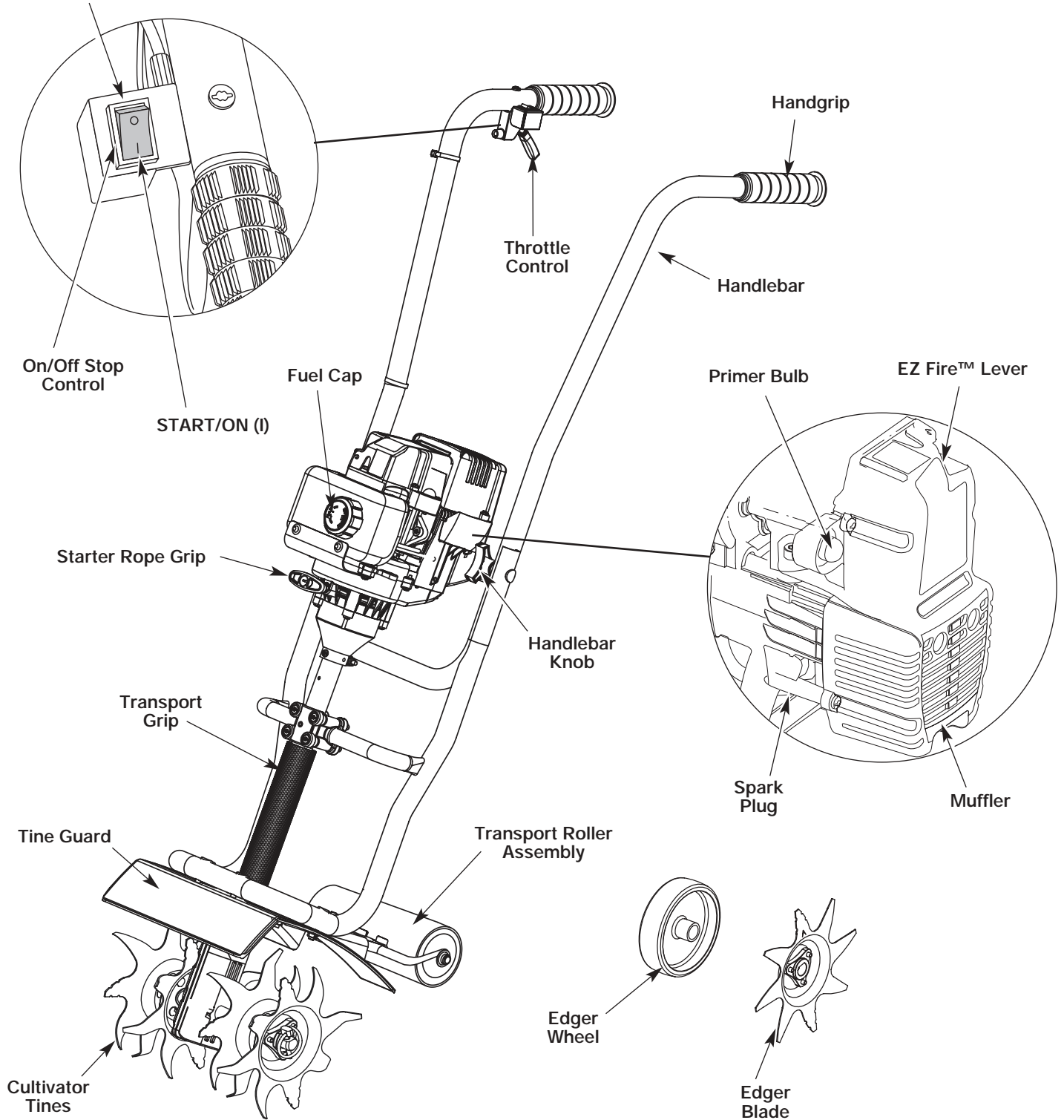
WARNING: Stop the engine and allow the tines to stop before installing or removing tines, or before cleaning or performing any maintenance. Keep hands and feet away from rotating tines.

KNOW YOUR PRODUCT

Applications

- Cultivating sod and light to medium soil
- Cultivating in garden areas, around trees, etc.
- Edging

STOP/OFF (O)



ASSEMBLY INSTRUCTIONS

ASSEMBLING THE UNIT

Before operating, position the unit's handlebars.

NOTE: You may also need to reposition the roller height before using the cultivator. Refer to the *Adjusting Tine Depth* section.

Begin by carefully unpacking the contents and making sure that nothing is damaged.

POSITIONING THE HANDLEBARS

1. Loosen the two knobs on the inside of the handlebars (Fig. 1).
2. With the unit upright, swing the handlebars up into the operating position (Fig. 1).

NOTE: Take care not to pinch the throttle cable or switch wires when positioning the handlebar.

3. Tighten the knobs to secure the handlebars in place (Fig. 2).

NOTE: Do not over-tighten the knobs.

4. Readjust the throttle cable and switch the wires so they are smooth and tight against the handlebar assembly. This will help prevent them from catching or snagging during normal operation.

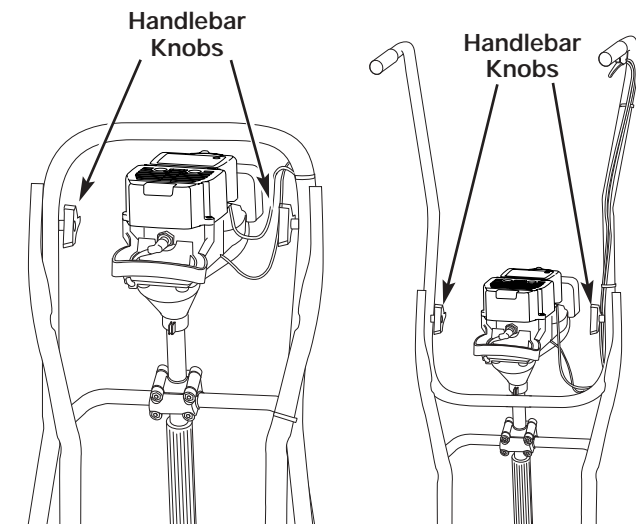


Fig. 1

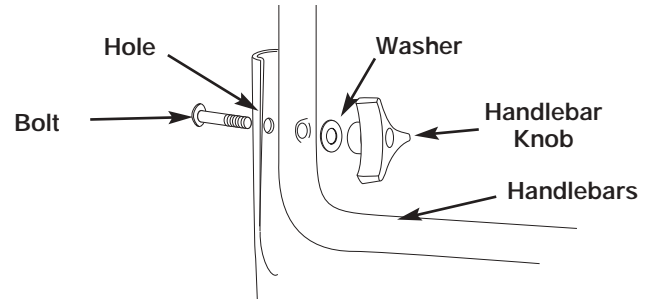


Fig. 2

INSTALLING THE TRANSPORT ROLLER ASSEMBLY

If the roller assembly is not installed, or if you ever need to remove or reinstall it, perform the following instructions:



WARNING: To avoid injury from the tines, wear heavy gloves and a long sleeve shirt when installing the roller assembly.



WARNING: To prevent serious personal injury, the roller assembly must be installed when operating the unit.

1. With the unit on its side, place the transport roller assembly on the underside of the tine guard (Fig. 3).

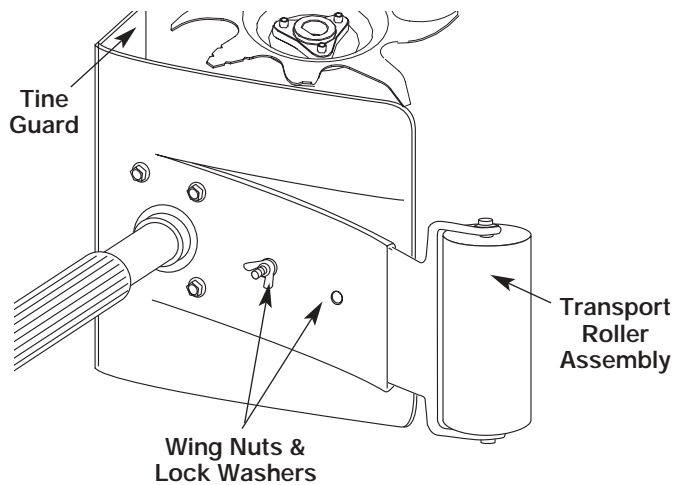


Fig. 3

ASSEMBLY INSTRUCTIONS

2. Install a carriage bolt through each of the slotted holes in the roller bracket and into the tine guard.
3. On the **TOP** side of the tine guard, install a lock washer and a wing nut onto each of the bolts (Fig. 3).
4. Make sure the square shoulder of the bolts is pushed through the slotted holes in the roller bracket. Tighten the wing nuts (Fig. 4).

NOTE: Do not over-tighten the wing nuts. Loosen the wing nuts to adjust roller height.

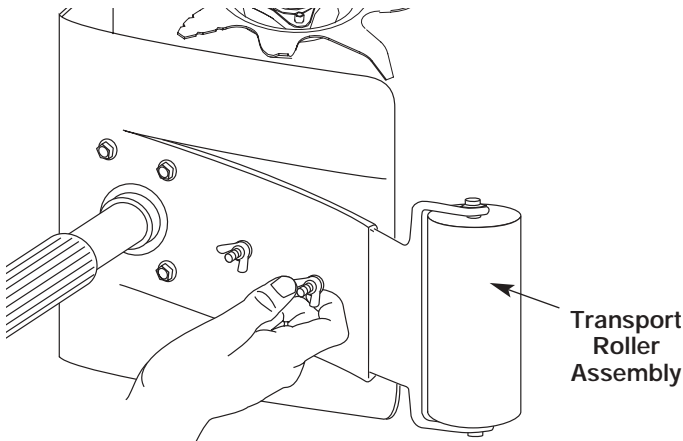


Fig. 4

ADJUSTING TINE DEPTH

Tine adjustment will vary depending on the type of soil being cultivated and how it will be used. Generally, adjusting the tines to break the soil 4 to 6 inches is recommended for most gardens. Adjust the tines as follows:

1. Stop the engine and disconnect the spark plug wire.
2. Loosen (do not remove) the two wing nuts on the tine guard (Fig. 5).
3. Slide the roller bracket assembly down for shallower penetration, and up for deeper tine penetration.
4. Once the tines are in the desired position, tighten the wing nuts, making sure that the carriage bolts are seated properly through the bracket.
5. If the tine depth is incorrect, repeat steps 2 to 4.
6. Reconnect the spark plug wire and continue use.

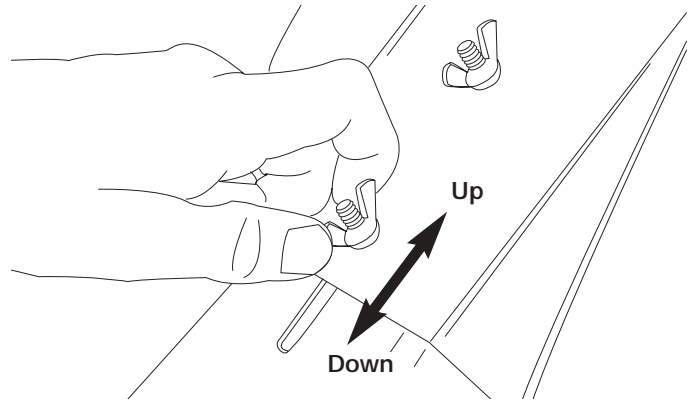


Fig. 5

ATTACHING THE EDGER WHEEL AND BLADE

To convert the mini-tiller cultivator to an edger, proceed as follows:

1. Push the On/Off switch to Off (O) position to stop engine and tines and disconnect spark plug to avoid accidental starting.

NOTE: It may be necessary to lay the mini-tiller back in a horizontal position on a flat level surface with the upper handle touching the ground.

2. Remove the click pin from each end of the tine shaft and slide the tines off the shaft.
3. Slide the edger wheel, with the hub facing inward, onto the right side of the tine shaft and secure with the click pin in the inside hole (Fig. 6).
4. Slide the edger blade with the hub facing out onto the left side of tine shaft and secure with the click pin in the inside hole (Fig. 6).
5. Guide the edger blade along a flowerbed, sidewalk, or driveway with the edger wheel along the outside edge. Use the edger guide line to line up edger blade.

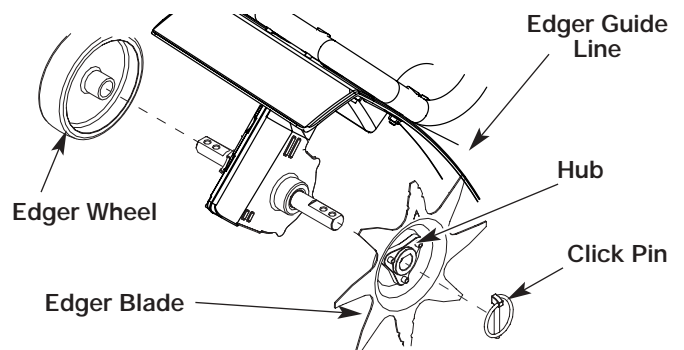


Fig. 6

OIL AND FUEL INFORMATION

OIL AND FUEL MIXING INSTRUCTIONS

Old and/or improperly mixed fuel are the main reasons for the unit not running properly. Be sure to use fresh, clean unleaded fuel. Follow the instructions carefully for the proper fuel/oil mixture.

Definition of Blended Fuels

Today's fuels are often a blend of gasoline and oxygenates such as ethanol, methanol, or MTBE (ether). Alcohol-blended fuel absorbs water. As little as 1% water in the fuel can make fuel and oil separate. It forms acids when stored. When using alcohol-blended fuel, use fresh fuel (less than 60 days old).

Using Blended Fuels


If you choose to use a blended fuel, or its use is unavoidable, follow recommended precautions:

- Always use the fresh fuel mix explained in your operator's manual
- Always agitate the fuel mix before fueling the unit
- Drain the tank and run the engine dry before storing the unit

Using Fuel Additives

The bottle of 2-cycle oil that came with your unit contains a fuel additive which will help inhibit corrosion and minimize the formation of gum deposits. It is recommended that you use Craftsman 2-cycle oil with this unit.

If Craftsman 2-cycle oil is unavailable, use a good 2-cycle oil designed for air-cooled engines along with a fuel additive, such as STA-BIL® Gas Stabilizer or an equivalent. Add 0.8 oz. (23 ml.) of fuel additive per gallon of fuel according to the instructions on the container. NEVER add fuel additives directly to the unit's fuel tank.



	CAUTION: For proper engine operation and maximum reliability, pay strict attention to the oil and fuel mixing instructions on the 2-cycle oil container. Using improperly mixed fuel can severely damage the engine.
---	---

Correct Fuel Mixture


Thoroughly mix the proper ratio of 2-cycle engine oil with unleaded gasoline in a separate fuel can. Use a 40:1 fuel/oil ratio. Do not mix them directly in the engine fuel tank. See the Fuel Mixture Table for specific gas and oil mixing ratios.

NOTE: One gallon (3.8 liters) of unleaded gasoline mixed with one 3.2 oz. (95 ml.) bottle of 2-cycle oil makes a 40:1 fuel/oil ratio.


FUEL MIXTURE TABLE

	+	
UNLEADED GAS		2 CYCLE OIL
1 GALLON US (3.8 LITERS)		3.2 FL. OZ. (95 ml)
1 LITER		25 ml

MIXING RATIO - 40:1

	WARNING: Gasoline is extremely flammable. Ignited Vapors may explode. Always stop the engine and allow it to cool before filling the fuel tank. Do not smoke while filling the tank. Keep sparks and open flames at a distance from the area.
---	--

	WARNING: Remove fuel cap slowly to avoid injury from fuel spray. Never operate the unit without the fuel cap securely in place.
--	--

	WARNING: Add fuel in a clean, well ventilated outdoor area. Wipe up any spilled fuel immediately. Avoid creating a source of ignition for spilt fuel. Do not start the engine until fuel vapors dissipate.
---	---

NOTE: Dispose of the old fuel/oil mix in accordance to Federal, State and Local regulations.

FILLING THE FUEL TANK

Make sure the cultivator is in a horizontal position when filling or adding fuel to the tank.

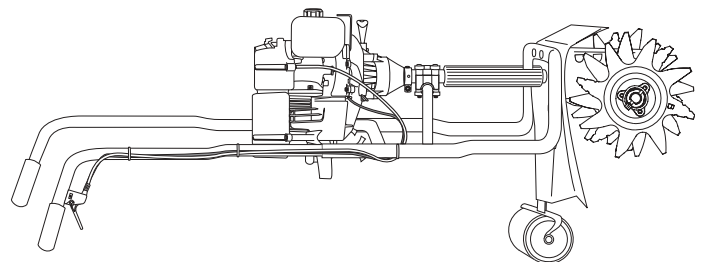


Fig. 7

STARTING/STOPPING INSTRUCTIONS



WARNING: Operate this unit only in a well-ventilated outdoor area. Carbon monoxide exhaust fumes can be lethal in a confined area.



WARNING: Avoid accidental starting. Make sure you are in the starting position when pulling the starter rope (Fig. 10). To avoid serious injury, the operator and unit must be in a stable position while starting.

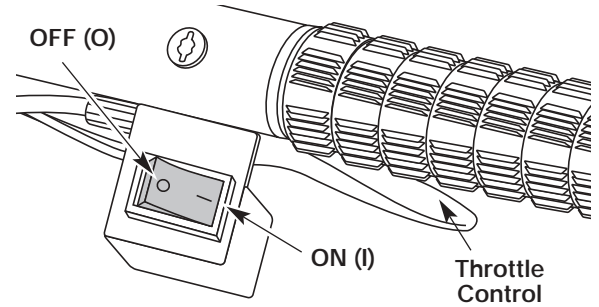


Fig. 8

STARTING INSTRUCTIONS

1. Mix gas with oil. Fill fuel tank with fuel/oil mixture. See *Oil and Fuel Mixing Instructions*.
2. Make sure the On/Off Stop Control is in the **ON (I)** position (Fig. 8).
3. Fully press and release the primer bulb 10 times, slowly. Some amount of **fuel should be visible in the primer bulb** and fuel lines (Fig. 9). If you can't see fuel in the bulb, press and release the bulb as many times as it takes before you can see fuel in it.
4. **Push the blue EZ Fire™ Lever towards the primer bulb** until it clicks and locks into place (Fig. 9).
5. Lay the unit on the ground horizontally, with the ends of the handles resting on the ground (Fig. 10).
6. Put your free hand on the fuel tank to stabilize the unit. With your other hand, pull the starter rope out with a **controlled and steady motion** until the engine attempts to start. Repeat until the engine starts.

NOTE: The unit uses the Incredi-Pull™ starting system, which significantly reduces the effort required to start the engine. You must pull the starter rope out far enough to hear the engine attempt to start. There is no need to pull the rope briskly-- there is no harsh resistance when pulling. Be aware that this starting method is vastly different from (and much easier than) what you may be used to.

7. When the engine starts, squeeze the throttle control for 15 to 30 seconds. This will warm up the unit. **The EZ Fire™ Lever will click off automatically** when you squeeze the throttle control.

IF... The engine does not start, go back to step 3.

IF... The engine stops while you are squeezing the throttle, go back to step 4.

IF... The engine stops before you squeeze the throttle control, hold the throttle control and pull the starter rope until the trimmer starts.

NOTE: If you are having trouble starting the unit or are operating in extreme temperatures (below 40° F, above 90° F), refer to the *Troubleshooting* section.

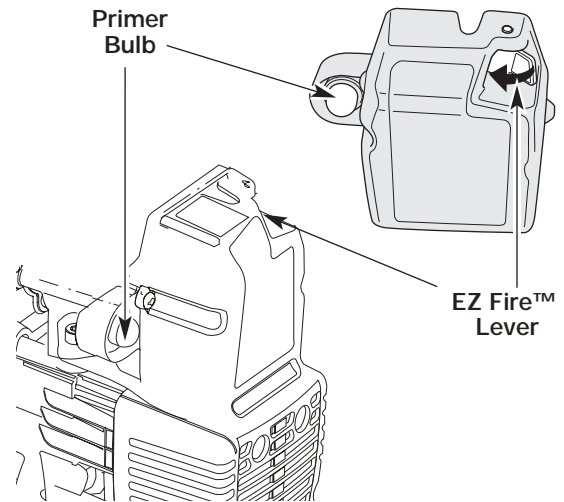


Fig. 9

Starting Position

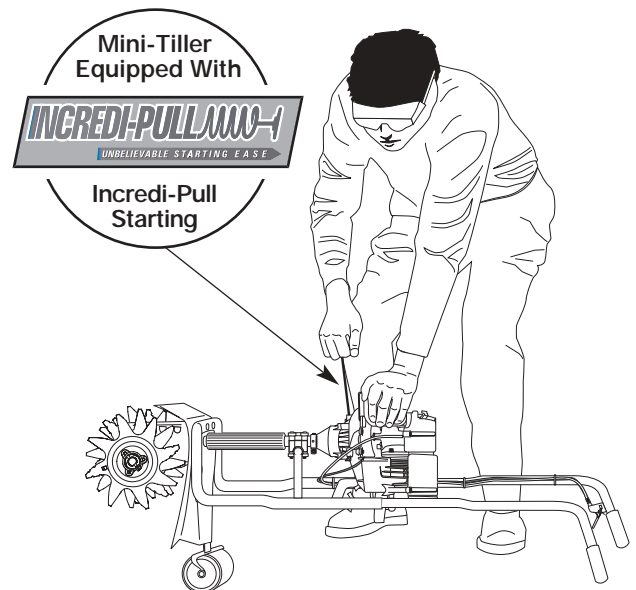


Fig. 10

STOPPING INSTRUCTIONS

1. Release your hand from the throttle control. Allow the engine to cool down by idling.
2. Put the On/Off Stop Control in the **OFF (O)** position.

OPERATING INSTRUCTIONS

OPERATING TIPS



WARNING: Dress properly to reduce the risk of injury when operating this unit. Do not wear loose clothing or jewelry. Wear eye and ear/hearing protection. Wear heavy long pants, boots and gloves. Do not wear short pants, sandals or operate barefoot.

1. Move the cultivator to the work area prior to starting the engine. Transport the cultivator by pushing it on its roller wheel or by carrying it by the transport grip.



WARNING: To prevent serious personal injury, never pick-up or carry the unit while the engine is running.

2. Start the unit by following the *Starting Instructions*.
3. With the engine running and the tines off the ground, depress the throttle control to increase the engine speed.
4. Holding both of the handlebar grips firmly, slowly lower the cultivator until the tines make contact with the ground (Fig. 11).
5. As cultivating action begins, pull back on the cultivator so that the tines can penetrate the ground.
6. Once the ground has been broken, continue at a moderate pace until you are familiar with the controls and the handling of the cultivator.
7. To improve the depth of cultivation, pull back on the unit as it moves forward to drive the tines deeper into the ground.



WARNING: To prevent serious personal injury, use extreme caution when reversing or pulling the unit towards you.

8. If the tines are digging too deep or not deep enough, adjust them according to *Adjusting Tine Depth*.

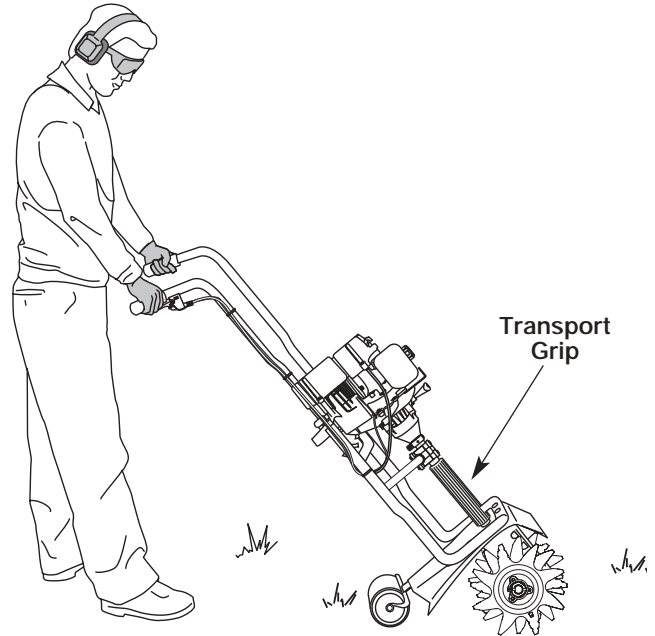


Fig. 11

TRANSPORTING THE UNIT



WARNING: To prevent serious personal injury, always stop the engine when operation is delayed or when transporting the unit from one location to another

1. Stop the engine.
2. Slide the roller bracket assembly all the way down.
3. Tilt the unit back until the tines clear the ground.
4. Push or pull the unit to the next location.
5. If you need to move the unit over long distances, use the transport grip.

MAINTENANCE AND REPAIR INSTRUCTIONS

MAINTENANCE SCHEDULE

Perform these required maintenance procedures at the frequency stated in the table. These procedures should also be a part of any seasonal tune-up.

NOTE: Some maintenance procedures may require special tools or skills. If you are unsure about these procedures, take your unit to a Sears Parts & Repair center or other qualified service dealer.



WARNING: To prevent serious injury, never perform maintenance or repairs with unit running. Always service and repair a cool unit. Disconnect the spark plug wire to ensure that the unit cannot start.

NOTE: Maintenance, replacement, or repair of the emission control devices and system may be performed by any non-road engine repair establishment or a Sears parts and repair service center.

In order to assure peak performance of your engine, inspection of the engine exhaust port may be necessary after 50 hours of operation. If you notice lost RPM, poor performance or general lack of acceleration, this service may be required. If you feel your engine is in need of this inspection, refer service to a Sears Parts & Repair center or other qualified service dealer. **DO NOT** attempt to perform this process yourself as engine damage may result from contaminants involved in the cleaning process for the port.

FREQUENCY	MAINTENANCE REQUIRED	REFER TO
Before starting engine	Fill fuel tank with fresh fuel mix	Page 9
Every 10 hours	Clean and re-oil air filter	Page 13
Every 25 hours	Check and clean spark arrestor Check spark plug condition and gap	Page 14 Page 15
Every 50 hours	Inspect exhaust port and spark arrestor screen for clogging or obstruction to assure maximum performance levels	Page 14

TINE REMOVAL AND REPLACEMENT

All 4 tines should be replaced at the same time because they will wear evenly through normal use. Work on one side at a time.



WARNING: To prevent serious injury, always wear heavy gloves when handling the tines.

- Put the On/Off Stop Control in the STOP (O) position and disconnect the spark plug boot from the plug.

NOTE: It may be necessary to lay the cultivator back in a horizontal position on a flat level surface with the handles touching the ground.

- Remove the click pin from each end of the tine shaft. Slide the tines off the shaft (Fig. 12a).
- Clean and oil the shaft.
- When you are reinstalling tines, lay out the tines and compare them to those shown in Figure 12b. Note specifics about each tine: its hub, curvature and lettering ("A" or "B"). This will help make sure that you are placing the correct tines in the correct order.

NOTE: If you look closely, you can see a slight curvature in the tine tips. These curves should point toward the front of the cultivator when the tines are installed. Figure 12b shows the curve in each tine.

- Using Figures 12a and 12b for reference, slide on the new tines with the **hubs facing outward**.

The tines are stamped "A" or "B." The tine order should be "B, A, B, A" from left to right when facing the cultivator from the front.

- Secure the new tines to the shaft with click pins. It may be necessary to wash the dirt off the tines and shaft to help during this entire process.

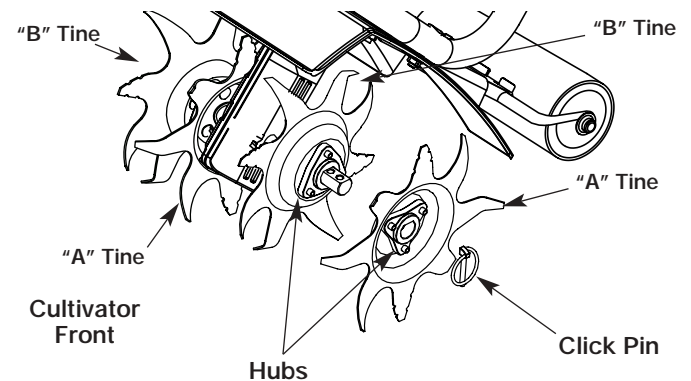


Fig. 12a

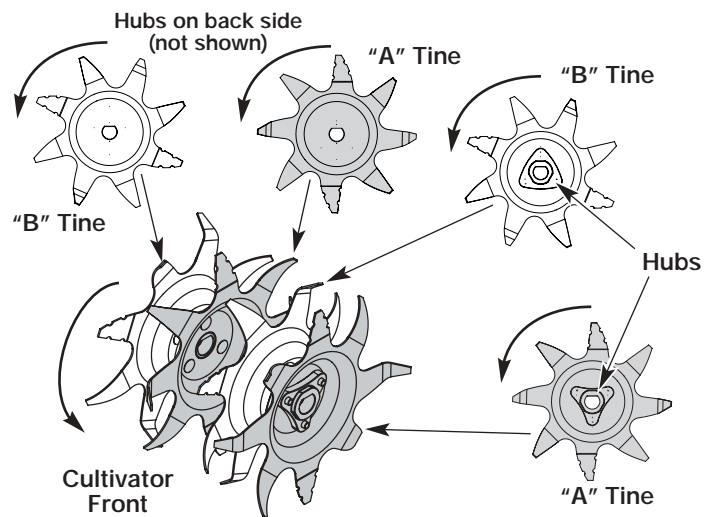


Fig. 12b

MAINTENANCE AND REPAIR INSTRUCTIONS

AIR FILTER MAINTENANCE

Removing the Air Filter/Muffler Cover



WARNING: To avoid serious personal injury, always turn the unit off and allow it to cool before you clean or service it.

1. Remove the four (4) screws securing the air filter/muffler cover (Fig. 13). Use a flat blade or # T20 Torx bit screwdriver.
2. Pull the cover from the engine. Do not force.

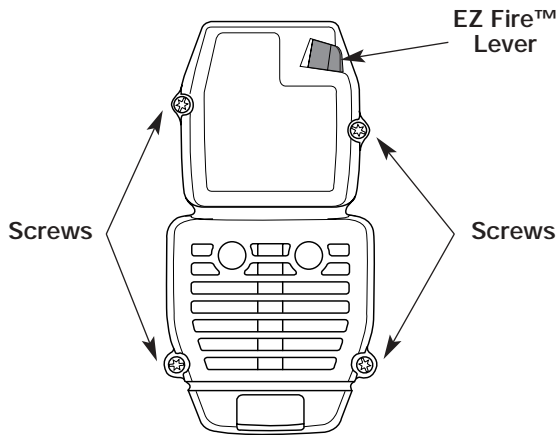


Fig. 13

Cleaning the Air Filter

Clean and re-oil the air filter every 10 hours of operation. It is an important item to maintain. Failure to maintain the air filter will **VOID** the warranty.

1. Remove the air filter/muffler cover. Refer to the *Removing the Air filter/Muffler Cover* section.
2. Remove the air filter from inside the air filter/muffler cover (Fig. 14).
3. Wash the filter in detergent and water (Fig. 14). Rinse the filter thoroughly. Squeeze out excess water. Allow it to dry completely.
4. Apply enough SAE 30 oil to lightly coat the filter (Fig. 15).
5. Squeeze the filter to spread and remove extra oil (Fig. 15).
6. Replace the air filter inside the muffler cover (Fig. 14).

NOTE: Operating the unit without the air filter and cover assembly will **VOID** the warranty.

Reinstalling the Air filter/Muffler Cover

1. Place the air filter/muffler cover over the back of the carburetor and muffler.
2. Insert the four (4) screws into the holes in the air filter/ muffler cover (Fig. 13) and tighten. Use a flat blade or # T20 Torx bit screwdriver. Do not over tighten. Do not force.

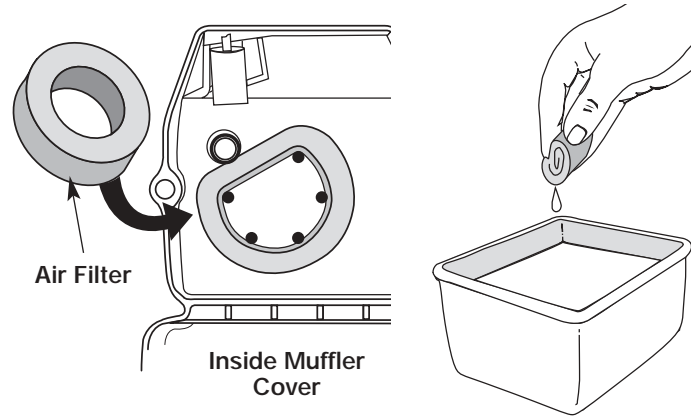


Fig. 14

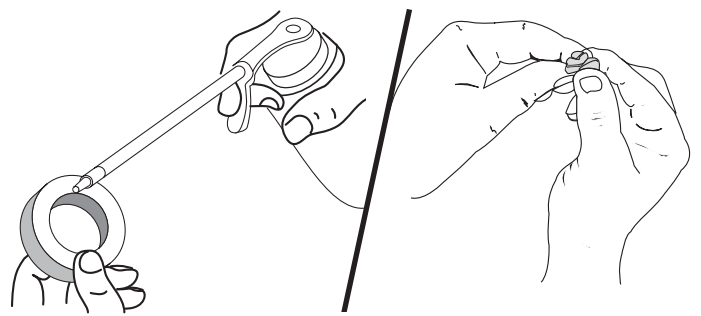


Fig. 15

SPARK ARRESTOR MAINTENANCE

1. Remove the air filter/muffler cover. Refer to *Removing the Air Filter/Muffler Cover*.
2. Locate the muffler front and the two (2) bolts securing it to the engine (Fig. 16). Remove the two (2) bolts using a flatblade screwdriver or 5/16-inch socket or nut driver. Pull the muffler off of the engine.
3. Turn the muffler over to the back side and locate the exhaust gasket. Remove the muffler gasket from the muffler (Fig. 16).

NOTE: If the exhaust gasket is torn or damaged, replace it with a new gasket before you reassemble the muffler.

4. Using a small flatblade screwdriver, carefully pry up the spark arrestor from the recessed hole (Fig. 17). Remove the spark arrestor from the muffler.
5. Clean the spark arrestor with a wire brush. Replace it if it is damaged or if it can't be cleaned thoroughly (Fig. 17).
6. Reinstall the spark arrestor by pressing it into the recessed hole on the muffler's back side. Make sure it fits tightly against the muffler and is not raised up.
7. Place the exhaust gasket against muffler's back side. Align the gasket bolt holes with the bolt holes in the muffler. While holding exhaust gasket in place, insert the bolts into the muffler's front side (Fig. 16).

MAINTENANCE AND REPAIR INSTRUCTIONS

- Place the muffler (with the exhaust gasket in place and bolts inserted), against the engine, aligning the bolt holes. Tighten the bolts to secure the muffler to the engine. If using a torque wrench, torque to:

80-90 in.·lb. (9-10.2 N·m)

- Reinstall the air filter/muffler cover.



WARNING: If the muffler is not tightened securely, it could fall off causing damage to the unit and possible serious personal injury.

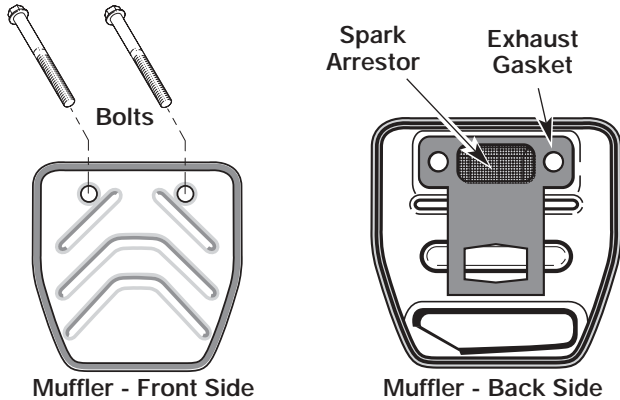


Fig. 16

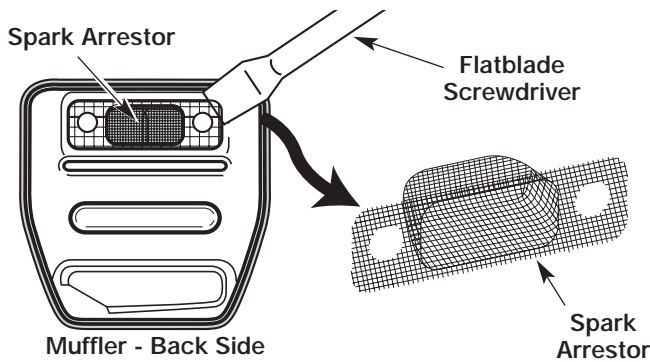


Fig. 17

CARBURETOR ADJUSTMENTS

The engine's idle speed adjuster is adjustable through the air filter/muffler cover (Fig 18).

NOTE: Careless adjustments can seriously damage your unit. A Sears Parts & Repair center or other qualified service dealer should make carburetor adjustments.

Check Fuel Mixture

Old and/or improperly mixed fuel is usually the reason for the unit not running properly. Drain and refill the tank with fresh, properly mixed fuel prior to making any adjustments. Refer to *Oil and Fuel Information*.

Clean Air Filter

The condition of the air filter is important to the operation of the unit. A dirty air filter will restrict air flow and change the air/fuel mixture. This is often mistaken for an out of adjustment carburetor. Check the condition of the air filter before adjusting the idle speed adjuster. Refer to *Air Filter Maintenance*.

Adjust Idle Speed Adjuster



WARNING: The unit will still run during idle speed adjustments. Wear protective clothing and observe all safety instructions to prevent serious personal injury.

If after checking the fuel mixture and cleaning the air filter the engine still will not idle, adjust the idle speed screw as follows:

- Start the engine and let it run for about 2-3 minutes at a high speed (full throttle) to warm up. Refer to the *Starting/Stopping Instructions*.

NOTE: Ensure the tines are not in contact with the ground when adjusting the idle.

- Release the throttle control and let the engine idle. If the engine stops, insert a small phillips or flat blade screwdriver into the hole in the muffler cover (Fig. 18). Turn the idle speed screw **clockwise** 1/8 of a turn at a time (as needed) until the engine idles smoothly.

NOTE: The tines should not rotate during engine idle.

- If the tines rotate when the engine idles, turn the idle speed screw **counterclockwise** 1/8 of a turn at a time (as needed), to reduce idle speed.

Checking the fuel mixture, cleaning the air filter, and adjusting the idle speed screw should solve most engine problems. If not and all the following are true:

- The engine will not idle
- The engine hesitates or stalls on acceleration
- There is a loss of engine power

Have the carburetor adjusted by a Sears Parts & Repair center or other qualified service dealer.

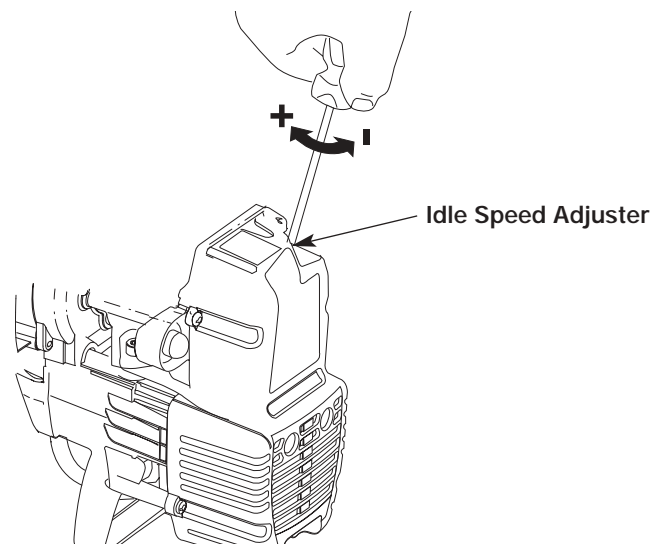


Fig. 18

MAINTENANCE AND REPAIR INSTRUCTIONS

REPLACING THE SPARK PLUG

Use a Champion RDJ-7Y spark plug. The correct air gap is 0.020 in. (0.5 mm). Remove the plug after every 25 hours of operation and check its condition.

1. Stop the engine and allow it to cool. Grasp the plug wire firmly and pull the cap from the spark plug.
2. Clean dirt from around the spark plug. Remove the spark plug from the cylinder head by turning a 5/8 in. socket counterclockwise.
3. Replace cracked, fouled or dirty spark plug. Set the air gap at 0.020 in. (0.5 mm) using a feeler gauge (Fig. 19).

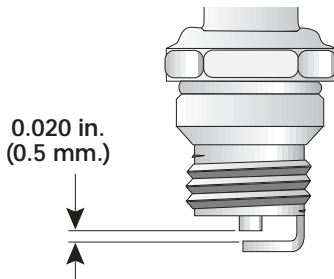


Fig. 19



WARNING: Do not sand blast, scrape or clean electrodes. Grit in the engine could damage the cylinder.

4. Install a correctly-gapped spark plug in the cylinder head. Turn the 5/8 in. socket clockwise until snug.

If using a torque wrench torque to:
110-120 in.·lb. (12.3-13.5 N·m)

Do not over tighten.

CLEANING THE UNIT



WARNING: To avoid serious personal injury, always turn your unit off and allow it to cool before you clean or service it.

- Use a small brush to clean off the outside of the unit and to keep the air vents free of obstructions.
- Do not use strong detergents or petroleum based cleaners, like kerosene. Some household cleaners contain aromatic oils such as pine and lemon that can damage the plastic housings or handles. Wipe off any moisture with a soft cloth.

STORAGE

- Never store a fueled unit where fumes may reach an open flame or spark.
- Allow the engine to cool before storing.
- Store the unit in a locked up area to prevent unauthorized use or damage.
- Store the unit in a dry, well-ventilated area.
- Store the unit out of the reach of children.

LONG TERM STORAGE

If you plan to store the unit for an extended time:

1. Drain all fuel from the fuel tank into a container. Do not use fuel that has been stored for more than 60 days. Dispose of the old fuel in accordance to local regulations.
2. Start the engine and allow it to run until it stalls. This ensures that all fuel has been drained from the carburetor.
3. Allow the engine to cool. Remove the spark plug and put 1 oz. (30 ml) of high quality motor oil into the cylinder. Pull the starter rope slowly to distribute the oil. Reinstall the spark plug.

NOTE: Remove the spark plug and drain all of the oil from the cylinder before attempting to start the unit after storage.

4. Thoroughly clean the unit and inspect for any loose or damaged parts. Repair or replace damaged parts and tighten loose screws, nuts or bolts. The unit is ready for storage.

TRANSPORTING

- Allow the engine to cool before transporting.
- Secure the unit while transporting.
- Drain the fuel tank before transporting.
- Tighten fuel cap before transporting.

MOVING THE UNIT

1. Allow the unit to cool before moving.
2. Loosen the knobs on the handlebar.
3. Fold the handlebars down as shown (Fig. 20). Tighten the knobs.

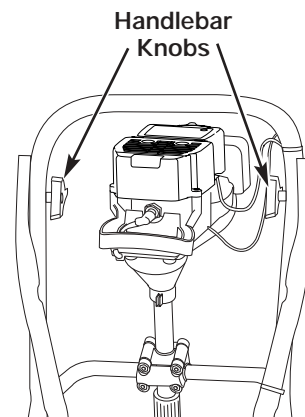


Fig. 20

4. Either carry the unit by the shaft tube grip or grasp the center of the handlebar to use it as a carrying handle.
5. After the unit has been moved, reposition the handlebars and continue operation.

TROUBLESHOOTING

ENGINE WILL NOT START

CAUSE

Empty fuel tank
 Primer bulb wasn't pressed enough
 Engine is flooded
 Old fuel
 Fouled spark plug
 Plugged spark arrestor
 EZ Fire lever wasn't flipped/set
 The outside temperature is below 40° F
 The outside temperature is above 90° F

ACTION

Fill fuel tank with new fuel
 Press primer bulb fully and slowly 10 times
 Squeeze the trigger and pull the starter rope
 Drain gas tank and add fresh fuel
 Replace or clean the spark plug
 Clean or replace spark arrestor
 Move lever to the starting position
 Pull the starter rope up to 10-15 times
 Squeeze the throttle control and pull the starter rope

ENGINE WILL NOT IDLE

CAUSE

Air filter is plugged
 Old fuel
 Improper carburetor adjustment

ACTION

Replace or clean the air filter
 Drain gas tank and add fresh fuel
 Adjust according to the *Carburetor Adjustments* section

ENGINE WILL NOT ACCELERATE

CAUSE

Old fuel
 Improper carburetor adjustment
 Dirty air filter
 Plugged spark arrestor

ACTION

Drain gas tank and add fresh fuel
 Take to a Sears Parts & Repair center or other qualified service dealer for an adjustment
 Clean or replace the air filter
 Clean or replace spark arrestor

ENGINE LACKS POWER OR STALLS WHEN UNDER LOAD

CAUSE

Old fuel
 Improper carburetor adjustment
 Fouled spark plug
 Plugged spark arrestor
 Cultivator tines bound with debris

ACTION

Drain gas tank and add fresh fuel
 Take to a Sears Parts & Repair center or other qualified service dealer for an adjustment
 Replace or clean the spark plug
 Clean or replace spark arrestor
 Stop the unit, switch the On/Off Stop Control to STOP, clean and remove any debris binding the tines

UNIT OCCASIONALLY HESITATES AT HIGH SPEEDS

CAUSE

Spark plug gap is too small/close

ACTION

Adjust gap to 0.020 inch (0.50 mm)

NOTE: For repairs beyond the minor adjustments listed above, contact your nearest Sears Parts & Repair center (1-800-4-MY-HOME[®]) or other qualified service dealer for an adjustment.

SPECIFICATIONS

ENGINE*

Engine Type.....	Air-Cooled, 2-Cycle
Displacement	31 cc
Idle Speed RPM	2,600-3,600 rpm
Operating RPM.....	7,800+ rpm
Clutch Type	Centrifugal
Ignition Type.....	Electronic
On/Off Stop Control.....	Rocker Switch
Spark Plug Type	Champion RDJ-7Y
Spark Plug Gap	0.020 inch (0.50 mm)
Lubrication	Fuel/Oil Mixture
Fuel/Oil Ratio.....	40:1
Carburetor	Diaphragm, All-Position
Starter	Incredi-Pull
Muffler	Baffled with Guard
Throttle.....	Spring Return
Fuel Tank Capacity.....	14 ounces (415 ml)

CULTIVATOR*

Drive Shaft Tube	Steel Tube
Throttle Control	Finger-Tip Trigger
Cultivating Path Width (Maximum)	9 inches (22.86 cm)
Cultivating Depth (Maximum)	5 inches (12.7 cm)
Approximate Weight (no fuel)	26 lb. (12 kg)

*All specifications are based on the latest product information available at the time of printing. We reserve the right to make changes at any time without notice.

EPA Emission Control Warranty Statement

Your Warranty Rights and Obligations

The Environmental Protection Agency and Sears are pleased to explain the emission control system warranty on your 2002 and later small off-road engine. New small off-road engines must be designed, built and equipped to meet stringent anti-smog standards. Ryobi must warrant the emission control system on your small off-road engine for the periods of time listed below provided there has been no abuse, neglect or improper maintenance of your small off-road engine.

Your Emission control system may include parts such as the carburetor or fuel-injection system, the ignition system, and catalytic converter. Also included may be hoses, belts, connectors and other emission-related assemblies.

Where a warrantable condition exists, Sears will repair your small off-road engine at no cost to you including diagnosis, parts and labor.

The 2002 and later small off-road engines are warranted for two years. If any emission-related part on your engine is defective, the part will be repaired or replaced by Sears.

Owner's Warranty Responsibilities

- As the small off-road engine owner, you are responsible for the performance of the required maintenance listed in your operator's manual. Sears recommends that you retain all receipts covering maintenance on your small off-road engine, but Sears cannot deny warranty solely for the lack of receipts or for your failure to ensure the performance of all scheduled maintenance.
- As the small off-road engine owner, you should however be aware that Sears may deny you warranty coverage if your small off-road engine or a part has failed due to abuse, neglect, improper maintenance or unapproved modifications.
- You are responsible for presenting your small off-road engine to a Sears authorized service center as soon as problem exists. The warranty repairs should be completed in a reasonable amount of time, not to exceed 30 days.

If you have any questions regarding your warranty rights and responsibilities, you should call 1-800-4-MY-HOME.

Manufacturer's Warranty Coverage

- The warranty period begins on the date the engine or equipment is delivered to the retail purchaser.
- The manufacturer warrants to the initial owner and each subsequent purchaser, that the engine is free from defects in material and workmanship which cause the failure of a warranted part for a period of two years.
- Repair and replacement of warranted part will be performed at no charge to the owner at an authorized Sears service center. For the nearest location please contact Sears at: 1-800-4-MY-HOME.
- Any warranted part which is not scheduled for replacement, as required maintenance or which is scheduled only for regular inspection to the effect of "Repair or Replace as Necessary" is warranted for the period. Any warranted part which is scheduled for replacement as required maintenance will be warranted for the period of time up to the first scheduled replacement point for that part.
- The owner will not be charged for diagnostic labor which leads to the determination that a warranted part is defective. If the diagnostic work is performed at an authorized Sears Service Center.
- The manufacturer is liable for damages to other engine components caused by the failure of a warranted part still under warranty.
- Failures caused by abuse, neglect or improper maintenance are not covered under warranty.
- The use of add-on or modified parts can be grounds for disallowing a warranty claim. The manufacturer is not liable to cover failures of warranted parts caused by the use of add-on or modified parts.
- In order to file a claim, go to your nearest authorized Sears Service Center. Warranty service or repairs will be provided at all authorized Sears Service Centers.
- Any manufacturer approved replacement part may be used in the performance of any warranty maintenance or repair of emission related parts and will be provided without charge to the owner. Any replacement part that is equivalent in performance or durability may be used in non-warranty maintenance or repair and will not reduce the warranty obligations of the manufacturer.
- The following components are included in the emission related warranty of the engine, air filter, carburetor, primer, fuel lines, fuel pick up/fuel filter, ignition module, spark plug and muffler.

INTRODUCCION

INDICE DE CONTENIDOS

Garantía	19	Instrucciones de operación	28
Llamadas a apoyo al cliente	19	Instrucciones de mantenimiento y reparación	29
Normas para una operación segura	20	Limpieza y almacenamiento	32
Conozca su unidad	23	Cuadro de solución de problemas	33
Instrucciones de ensamble	24	Especificaciones	34
Información del aceite y del combustible	26	Lista de Piezas	35
Instrucciones de arranque y apagado	27	EPA Garantía	37
		Cobertura de Gastos de Reparaciones	39
		Números de Servicio	Contraportada

GARANTIA

Garantía de la cultivadora/ bordeadora Craftsman de dos años

Por un periodo de dos (2) años a partir de la fecha de compra, con la condición de que a este equipo Craftsman se le realiza el mantenimiento, la lubricación y ajustes de acuerdo con las instrucciones que aparecen en el manual del operador, Sears llevará a cabo reparaciones o reemplazos necesarios sin cargo cualquiera de las piezas que resulten defectuosas en sus materiales o fabricación. El servicio de garantía está disponible sin cargo si lleva su equipo Craftsman al Centro de Servicio Técnico de Sears más cercano. El servicio de garantía a domicilio está disponible pero se aplicará un cargo de traslado. Esta garantía es válida únicamente mientras el producto se encuentre dentro de los Estados Unidos.


Esta garantía no cubre:

- Artículos de duración limitada que sufren desgaste bajo condiciones normales de uso, tales como bujías de encendido, purificadores de aire, correas y filtros de aceite.
- Reemplazo o reparación de neumáticos debido a pinchaduras causadas por objetos externos, tales como clavos, espinas, tocones o vidrio.
- Reparaciones necesarias debido al abuso del operador, incluyendo pero sin limitarse a daño causado por objetos, tales como piedras o desechos de metal, troncos de un tamaño demasiado grande, objetos que hacen impacto que puedan doblar la estructura o el cárter o puedan sobreacelerar el motor.
- Reparaciones necesarias debido a negligencia del operador, incluyendo pero sin limitarse a daños eléctricos y mecánicos causados por almacenamiento incorrecto, falla en la calidad o cantidad del aceite de motor utilizado, o falla para mantener el equipo de acuerdo con las instrucciones contenidas en el manual del operador.
- Limpieza o reparaciones del (sistema de combustible del) motor causadas por combustible que se encontró que estaba contaminado u oxidado (vencido). En general, el combustible debería ser utilizado dentro de los 30 días posteriores a la fecha de compra.
- Equipos utilizados para fines comerciales o de alquiler.

PARA UBICAR EL CENTRO DE SERVICIO TÉCNICO SEARS MÁS CERCANO O PARA PROGRAMAR EL SERVICIO TÉCNICO, SIMPLEMENTE COMUNÍQUESE CON SEARS AL TELÉFONO 1-800-4-MY-HOME®.

Esta garantía le otorga derechos legales específicos y también usted puede tener otros derechos, los cuales varían de un estado a otro.

PROPOSICIÓN 65 DE CALIFORNIA

**ADVERTENCIA**

LAS EMISIONES DEL MOTOR DE ESTE PRODUCTO CONTIENEN SUBSTANCIAS QUIMICAS QUE EL ESTADO DE CALIFORNIA CONOCE COMO CAUSANTES DE CANCER, DEFECTOS DE NACIMIENTO U OTROS DAÑOS REPRODUCTIVOS.

PARACHISPAS

NOTA: Para los usuarios en tierras forestales de los EE.UU. y en los estados de California, Maine, Oregon y Washington. Todos los terrenos forestales de los EE.UU. y el estado de California (Códigos de Recursos Públicos 4442 y 4443), Oregon y Washington, requieren por decreto, que ciertos motores de combustión interna que se hagan funcionar en zonas boscosas y/o zonas cubiertas por pastizales, estén equipados con un parachispas, que sean mantenidos en buen estado de funcionamiento o que el motor sea construido, esté equipado y sea mantenido para evitar incendios. Consulte los reglamentos pertinentes a esos requisitos con las autoridades estatales o locales. El incumplimiento de esos requisitos puede responsabilizarle o someterle a la imposición de una multa. **Esta unidad fue equipada en la fábrica con un parachispas.** Si requiere sustitución, hay una **Pantalla Parachispas disponible, Pieza # 182747** al contactar el departamento de servicio.

NORMAS PARA UNA OPERACION SEGURA

Los símbolos de seguridad se utilizan para llamar su atención sobre posibles peligros. Los símbolos de seguridad y sus explicaciones merecen toda su atención y comprensión. Los símbolos de seguridad no eliminan ningún peligro por sí mismos. Las instrucciones o advertencias que ofrecen no substituyen las medidas adecuadas de prevención de accidentes.

SIMBOLO	SIGNIFICADO
---------	-------------



ALERTA DE SEGURIDAD:

Indica peligro, advertencia o precaución. Debe prestar atención para evitar sufrir graves lesiones personales. Puede ser utilizado junto con otros símbolos o figuras.

NOTA: Le ofrece información o instrucciones que son esenciales para la operación o mantenimiento del equipo.

Lea el manual del operador y siga todas las advertencias e instrucciones de seguridad. De no hacerlo, el operador y/o los espectadores pueden sufrir graves lesiones.

**SI TIENE PREGUNTAS, LLAME AL
1-800-4-MY-HOME**

SIMBOLO	SIGNIFICADO
---------	-------------



PELIGRO: El no obedecer una advertencia de seguridad puede conducir a que usted u otras personas sufran graves lesiones. Siga siempre las precauciones de seguridad para reducir el riesgo de incendio, descarga eléctrica y lesiones personales.



ADVERTENCIA: El no seguir una advertencia de seguridad puede conducir a que usted u otras personas sufran lesiones. Siga siempre las precauciones de seguridad para reducir el riesgo de incendio, descarga eléctrica y lesiones personales.



PRECAUCION: El no seguir una advertencia de seguridad puede conducir a daño patrimonial o a que usted u otras personas sufran lesiones personales. Siga siempre las precauciones de seguridad para reducir el riesgo de incendio, descarga eléctrica y lesiones personales.

• IMPORTANTE INFORMACION DE SEGURIDAD •

LEA TODAS LAS INSTRUCCIONES ANTES DE LA OPERACIÓN

- Lea todas las instrucciones con cuidado. Conozca bien los controles y el uso correcto de la unidad.
- No opere esta unidad si está cansado, enfermo, o bajo los efectos del alcohol, drogas o medicamentos.
- Los niños y los adolescentes menores de 15 años no deben operar las unidades, excepto por los adolescentes guiados por un adulto.
- Inspeccione la unidad antes de utilizarla. Cambie las partes dañadas. Verifique si existen pérdidas de combustible. Asegúrese de que los sujetadores estén bien colocados y asegurados. Cambie las partes que estén quebradas, cascadas o dañadas de cualquier forma. No opere esta unidad con piezas flojas ni dañadas.
- Tenga en cuenta el riesgo de lesiones en la cabeza, manos y pies.
- Aleje a todos los niños, espectadores y animales domésticos. Mantenga a todos los niños, espectadores y animales domésticos a un radio de por lo menos 50 pies (15 m); aún así, puede existir un riesgo de objetos despedido contra los espectadores. Debe sugerir a los espectadores que usen protección ocular. Si alguien se le acerca, pare la unidad de inmediato.

- Oprima el control del regulador y verifique que regrese automáticamente a la posición de mínima. Haga todos los ajustes o reparaciones antes de usar la unidad.

ADVERTENCIAS DE SEGURIDAD PARA LAS UNIDADES A GASOLINA



ADVERTENCIA: La gasolina es muy inflamable y sus gases pueden explotar si se encienden. Tome las siguientes precauciones:

- Guarde el combustible en envases que hayan sido diseñados y aprobados para el almacenamiento de dichos materiales.
- Antes de llenar el tanque de combustible, apague siempre el motor y espere que se enfríe. No retire nunca la tapa del tanque de combustible ni cargue combustible mientras el motor esté caliente. No opere nunca la unidad sin la tapa del combustible colocada firmemente en su lugar. Afloje la tapa del combustible lentamente para disipar la presión del tanque.
- Evite crear una fuente de encendido por combustible derramado. No arranque el motor hasta que se hayan disipado los vapores del combustible.

NORMAS PARA UNA OPERACION SEGURA

- Mezcle y cargue el combustible en un área exterior bien ventilada donde no haya chispas ni llamas. Quite lentamente la tapa del combustible sólo después de apagar el motor. No fume mientras carga o mezcla el combustible. Limpie de inmediato todo el combustible que se haya derramado.
- Aleje la unidad a por lo menos 9,1 m (30 pies) del lugar de carga de combustible antes de arrancar el motor. No fume, mantenga las chispas y las llamas abiertas lejos del área mientras carga el combustible u opera la unidad.

DURANTE LA OPERACIÓN

- No arranque ni opere la unidad en una sala o edificio cerrado. Los gases de escape de monóxido de carbono pueden ser letales en un área cerrada. Opere esta unidad sólo en un área exterior bien ventilada.
- Use lentes o gafas de protección que cumplan con las normas ANSI Z87.1, y protección para sus oídos/audición mientras opere esta unidad. Use siempre una máscara facial o para protegerse contra el polvo si la operación levanta polvo.
- Use pantalones largos y gruesos, guantes y camisa de manga larga. No use pantalones cortos, sandalias ni trabajo descalzo.
- Para reducir el riesgo de lesiones causadas por objetos absorbidos por las partes giratorias, no use ropa holgada, alhajas, pañuelos en el cuello, etc. Recoja su cabello sobre el nivel de sus hombros.
- Use la unidad únicamente con la luz del día o con buena luz artificial.
- Mantenga las superficies externas libres de aceite y combustible.
- Esta unidad cuenta con un embrague. Las púas no se mueven mientras el motor está en mínima. Si se mueven, haga que un técnico de servicio autorizado ajuste la unidad.
- Verifique que las púas no hagan contacto con ningún objeto antes de arrancar la unidad.
- Evite arrancar la unidad accidentalmente. Colóquese en posición de inicio siempre que tire de la cuerda de arranque. El operador y la unidad deben estar en una posición estable al comenzar. Lea las *Instrucciones de Arranque y Apagado*.
- Use la herramienta adecuada. No use esta unidad para ninguna tarea para la cual no ha sido diseñada.
- No fuerce la unidad. Realizará una mejor tarea y con menor posibilidad de causar lesiones si se usa a la velocidad para la que ha sido diseñada.
- Tenga mucho cuidado cuando invierta o mueva la unidad hacia usted.
- No se extienda demasiado, tenga mucho cuidado cuando trabaje en pendientes marcadas o inclinadas. Mantenga siempre una posición y equilibrio adecuados.
- Sostenga siempre la unidad con ambas manos durante la operación. Mantenga un buen agarre en los mangos del manubrio.

- Mantenga las manos, la cara y los pies lejos de todas las partes móviles. No toque ni intente detener las púas mientras están girando. No opere la unidad sin las protecciones colocadas en su lugar.
- No toque el motor, el silenciador ni la caja de engranajes. Estas partes se calientan mucho durante la operación. Permanecen calientes durante un breve período luego de apagar la unidad.
- No opere el motor a una velocidad mayor que la necesaria para realizar la tarea. No haga funcionar el motor a alta velocidad cuando no lo use.
- Pare siempre el motor cuando la operación se demore o cuando camine entre zonas de trabajo.
- Apague el motor para realizar el mantenimiento, reparaciones, para instalar o sacar las púas. La unidad debe estar apagada y las púas deben haberse detenido para evitar lesiones.
- Con el uso, las púas se afilan demasiado. Use siempre guantes gruesos cuando maneje, retire, instale o limpie las púas.
- Use sólo piezas y accesorios de repuesto del fabricante del equipo original para esta unidad. Puede obtenerlos en su proveedor de servicio autorizado. El uso de piezas y accesorios que no son fabricante del equipo original puede causar graves lesiones al operador o el daño de su unidad, y la cancelación de su garantía.
- Mantenga la unidad libre de vegetación y otros materiales. Pueden trabarse entre las púas y la caja de engranajes o la protección.
- Para reducir el riesgo de incendio, cambie los silenciadores y amortiguadores de chispas defectuosos, mantenga el motor y el silenciador libre de pasto, hojas, grasa excesiva o acumulaciones de carbono.

Otras Advertencias de Seguridad

- No guarde nunca la unidad con combustible en el tanque en un edificio donde los gases puedan llegar a una llama abierta o a una chispa.
- Espere que el motor se enfríe antes de guardar o transportar la unidad. Asegúrese de que la unidad esté segura al transportarla.
- Guarde la unidad bajo llave en un lugar adecuado y seco para evitar que sea usada por personas no autorizadas y se dañe, fuera del alcance de los niños.
- Nunca moje ni rocíe la unidad con agua ni con ningún otro líquido. Mantenga las manijas secas, limpias y sin residuos. Limpie la unidad luego de cada uso, lea las instrucciones de *Limpieza y Almacenamiento*.
- Guarde estas instrucciones. Consúltelas con frecuencia y utilícelas para enseñar a otros usuarios. Si le presta esta unidad a alguien, préstele también estas instrucciones.

CONSERVE ESTAS INSTRUCCIONES

NORMAS PARA UNA OPERACION SEGURA

SIMBOLOS DE SEGURIDAD DE INTERCACIONALES

Este manual del operador describe los símbolos y figuras de seguridad e internacionales que pueden aparecer en este producto. Lea el manual del operador para obtener información completa acerca de la seguridad, ensamble, operación y mantenimiento y reparación.

SIMBOLO

SIGNIFICADO



• SIMBOLO DE ALERTA DE SEGURIDAD

Indica peligro, advertencia o precaución. Puede ser utilizado junto con otros símbolos o figuras.



• ADVERTENCIA - LEA EL MANUAL DEL OPERADOR

Lea el manual del operador y siga todas las advertencias e instrucciones de seguridad. De no hacerlo, el operador y/o los espectadores pueden sufrir graves lesiones.



• USE PROTECCION OCULAR Y AUDITIVA

ADVERTENCIA: Los objetos arrojados por la unidad y el ruido fuerte pueden causar graves lesiones oculares y pérdida auditiva. Utilice protección ocular que cumpla con las normas ANSI Z87.1 y protección auditiva cuando opere esta unidad. Use una careta completa cuando la necesite.



• MANTENGA ALEJADOS A LOS ESPECTADORES

ADVERTENCIA: Mantenga a todos los espectadores, en especial a niños y animales domésticos a por lo menos 50 pies (15 m.) del área de corte.



• COMBUSTIBLE SIN PLOMO

Use siempre combustible limpio, nuevo y sin plomo.



• INDICADOR DE ACEITE

Consulte el manual del operador para obtener información acerca del tipo correcto de aceite.

SIMBOLO

SIGNIFICADO



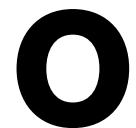
• LOS OBJETOS DESPEDIDOS Y LA CUCHILLA ROTATIVA PUEDEN CAUSAR GRAVES LESIONES

ADVERTENCIA: No opere esta unidad si la protección plástica de línea no está colocada en su lugar. Manténgase alejado de los dientes giratorio.



• CONTROL DE ENCENDIDO Y APAGADO

ENCENDIDO /ARRANQUE /MARCHA



• CONTROL DE ENCENDIDO Y APAGADO

APAGADO o PARADO



• ADVERTENCIA DE SUPERFICIE CALIENTE

No toque un silenciador ni un cilindro caliente. Puede quemarse. Estas partes se calientan mucho con el uso. Luego de apagarse permanecen calientes durante un corto tiempo.



• CULTIVADORES PARA JARDINES - LAS PUAS GIRATORIAS PUEDEN CAUSAR GRAVES LESIONES

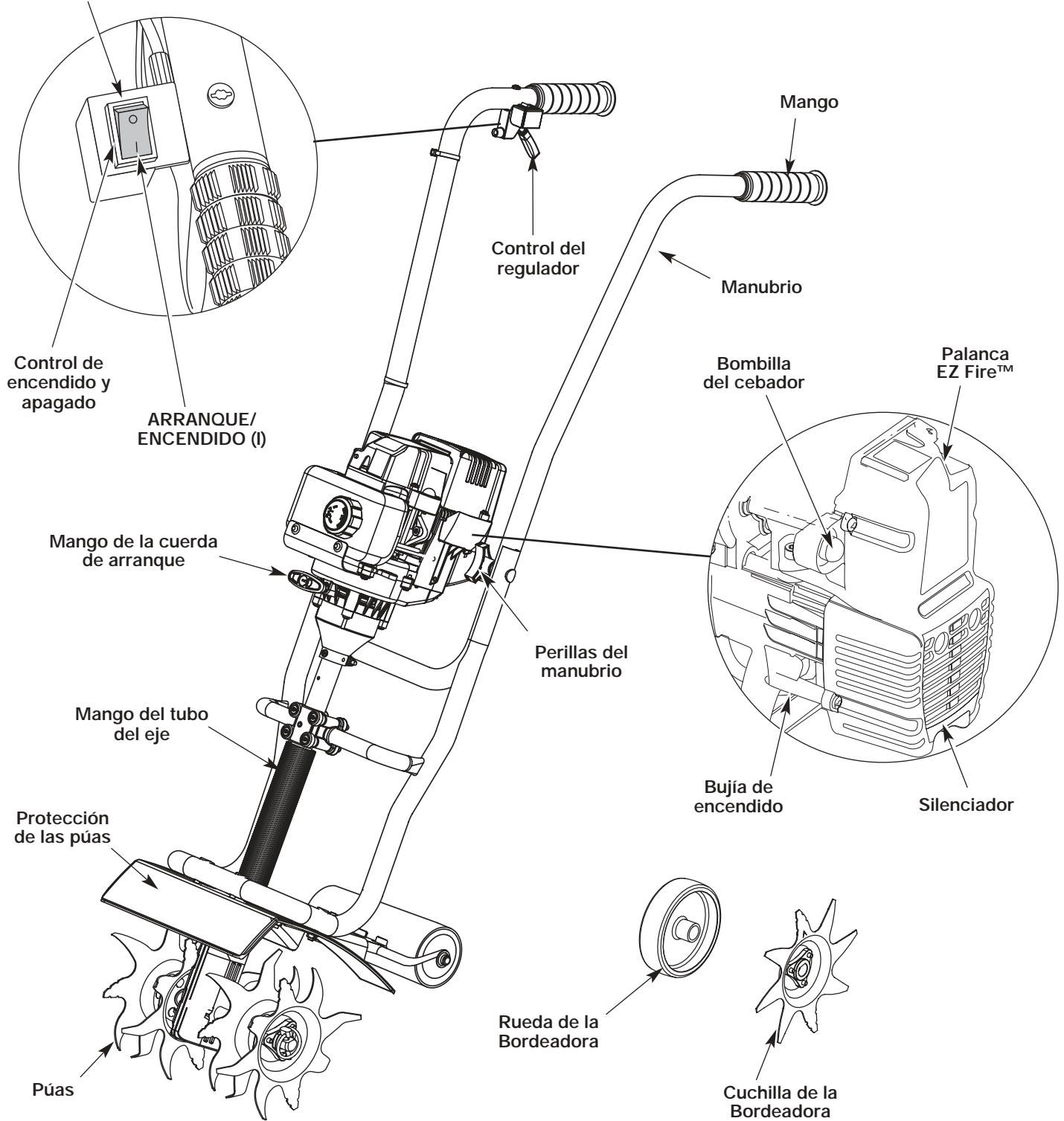
ADVERTENCIA: Apague el motor y espere que las púas se detengan antes de instalar o sacar las púas, o antes de realizar la limpieza o todo tipo de mantenimiento. Mantenga las manos y los pies lejos de las púas giratorias.

CONOZCA SU UNIDAD

APLICACION

Use esta unidad para cultivar tierra herbosa y tierra negra ligera a mediana. También se utiliza para cultivar áreas de jardines, alrededor de árboles, etc.

PARADO/APAGADO (O)



INSTRUCCIONES DE ENSAMBLE

ENSAMBLE DE LA UNIDAD

Su cultivador para jardines ha sido completamente ensamblado. El manubrio deberá colocarse en la posición adecuada antes de la operación.

NOTA: Antes de su operación, es posible que deba cambiar la posición de la altura de la rueda. Lea *Ajuste de la Profundidad de las Púas*.

Desembale con cuidado el contenido y verifique que no haya piezas dañadas.

COLOCACION DEL MANUBRIO

1. Afloje las dos perillas del lado interior del manubrio (Fig. 1).
2. Con la unidad en posición vertical, gire el manubrio hacia arriba hasta la posición de operación (Fig. 1).

NOTA: Tenga cuidado de no pellizcar el cable del regulador o los cables del interruptor cuando coloque el manubrio.

3. Ajuste las perillas para asegurar el manubrio en su lugar.

NOTA: No ajuste las perillas demasiado.

4. Vuelva a ajustar el cable del regulador y los cables del interruptor de modo que queden parejos y estirados contra el ensamblaje del manubrio. Esto evitará que se aprisionen o se desbarben durante la operación normal.

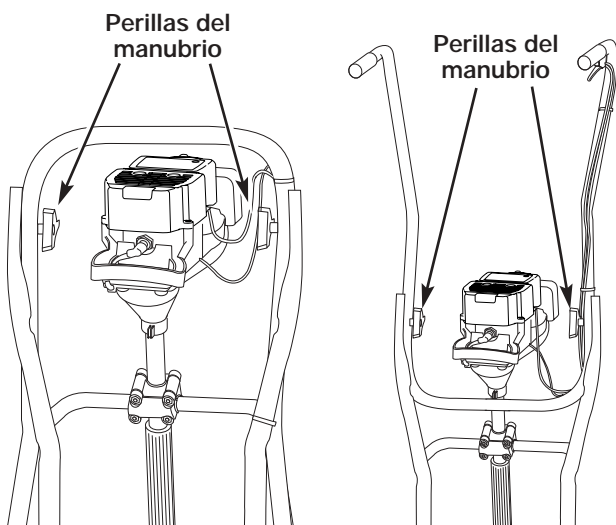


Fig. 1

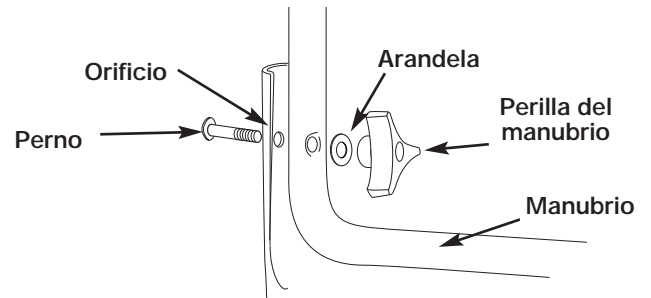


Fig. 2

INSTALACION DEL ENSAMBLE DE SOPORTE DE LA RUEDA

Si el montaje de soporte de la rueda no está instalado, o si usted necesita siempre quitarlo o reinstalar, siga las instrucciones que sobrevienen.

ADVERTENCIA: Para evitar lesionarse con las púas, use guantes gruesos y una camisa de mangas largas cuando instale el ensamblaje de soporte de la rueda.

ADVERTENCIA: Para evitar graves lesiones personales, el ensamblaje de soporte de la rueda deberá estar instalado cuando opere la unidad.

1. Con la unidad sobre su lado, coloque el ensamblaje de soporte de la rueda en el lado inferior de la protección de las púas (Fig. 3).

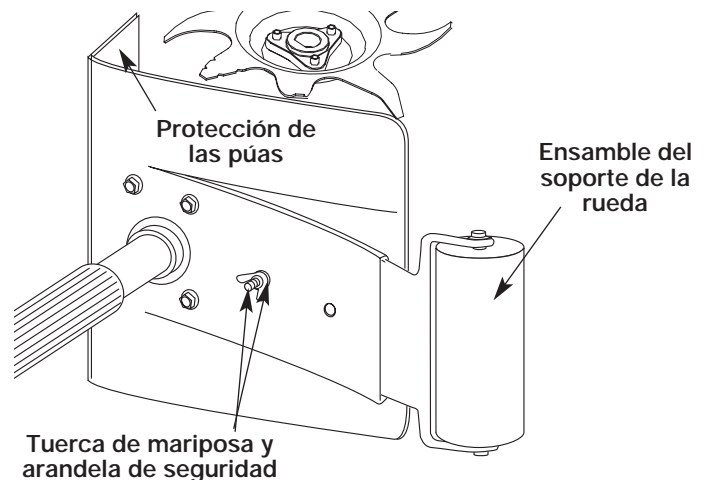


Fig. 3

INSTRUCCIONES DE ENSAMBLE

2. Instale un perno de carro a través de cada uno de los orificios ranurados del soporte de la rueda y en la protección de las púas.
3. Instale una arandela de seguridad y una tuerca de mariposa en cada uno de los pernos de la parte superior de la protección de las púas (Fig. 3).
4. Verifique que el hombro cuadrado de los pernos haya atravesado los orificios ranurados del soporte de la rueda. Ajuste las tuercas de mariposa (Fig. 4).

NOTA: No ajuste demasiado las tuercas de mariposa. Aflojar las tuercas de mariposa permite ajustar el peso de la rueda.

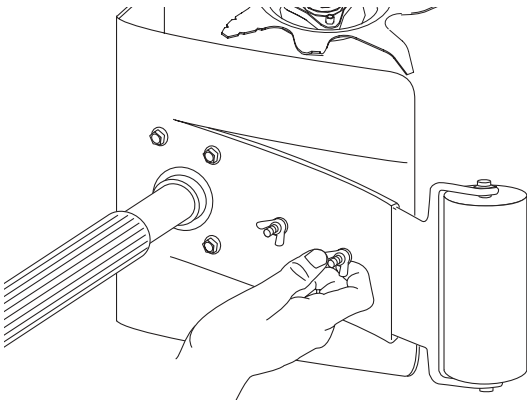


Fig. 4

AJUSTE DE LA PROFUNDIDAD

El ajuste de las púas podrá variar de acuerdo al tipo de tierra que cultiva y el modo en que será usado. En general, se recomienda ajustar las púas para abrir la tierra de 4 a 6 pulgadas para la mayoría de los jardines. Ajuste las púas de este modo:

1. Pare el motor y desconecte el cable de la bujía de encendido.
2. Afloje (no retire) las dos tuercas de mariposa de la protección de las púas (Fig. 5).
3. Deslice el ensamble del soporte de la rueda hacia abajo para lograr una penetración más superficial, y hacia arriba para lograr una penetración más profunda.
4. Una vez que las púas se encuentran en la posición deseada, ajuste las tuercas de mariposa, verificando que los pernos de carro están bien sentados a través del soporte.
5. Si la profundidad de las púas no es correcta, repita los pasos 2 a 4.
6. Vuelva a conectar el cable de la bujía de encendido y continúe su uso.

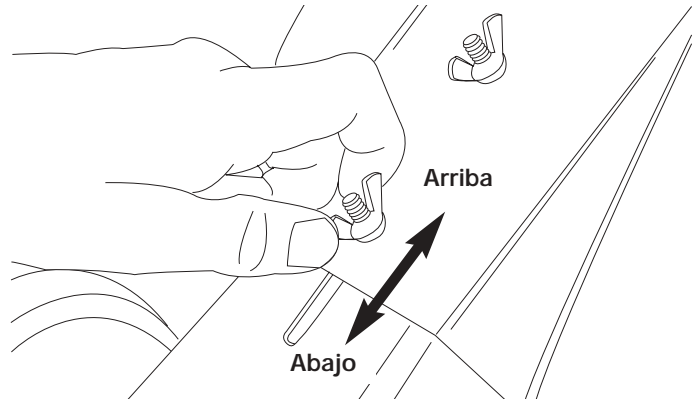


Fig. 5

CONEXIÓN DE LA RUEDA Y DE LA CUCHILLA DE LA BORDEADORA

Para convertir la cultivadora en una bordeadora, siga los siguientes pasos:

1. Presione el interruptor encendido / apagado (O) para detener el motor y los dientes y desconecte la bujía para evitar un arranque accidental.

NOTA: Es posible que sea necesario ubicar la cultivadora/ bordeadora en posición horizontal en una superficie plana con la manija superior tocando el suelo

2. Extraiga la chaveta del trinquete de cada extremo del árbol del diente y deslice los dientes hasta extraerlos del árbol.
3. Deslice la rueda de la bordeadora, con el buje mirando hacia adentro, en el lado derecho del árbol del diente y asegúrelo con la chaveta de trinquete en el orificio interior (Fig. 6).
4. Deslice la cuchilla de la bordeadora con el buje mirando hacia el lado izquierdo del árbol del diente y asegúrelo con la chaveta de trinquete en el orificio interior (Fig. 6).
5. Deslice la cuchilla de la bordeadora a lo largo del cantero, jardín, vereda o entrada con la rueda de la bordeadora a lo largo del borde exterior.

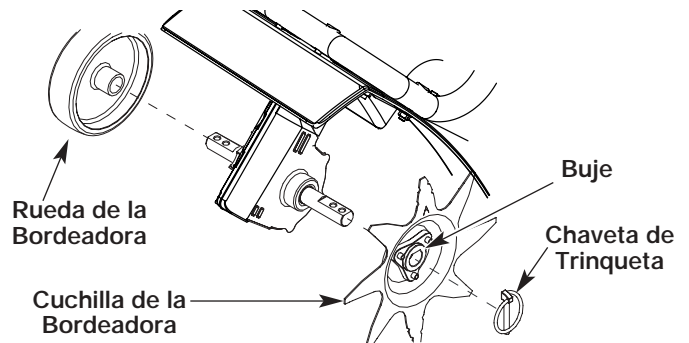


Fig. 6

INFORMACION DEL ACEITE Y DEL COMBUSTIBLE

INSTRUCCIONES PARA MEZCLAR EL ACEITE Y EL COMBUSTIBLE

El combustible viejo o mal mezclado son los motivos principales del mal funcionamiento de la unidad. Asegúrese de usar combustible nuevo, limpio y sin plomo. Siga las instrucciones en detalle para mezclar correctamente el aceite y el combustible.

Definición de los combustibles de mezcla

Los combustibles actuales con frecuencia son una mezcla de gasolina y oxigenantes como por ejemplo etanol, metanol o MTBE (éter). El combustible mezclado con alcohol absorbe agua. Una cantidad tan pequeña como el 1% de agua en el combustible puede causar la separación del combustible y el aceite. Forma ácidos cuando está almacenado. Cuando use combustible mezclado con alcohol, use combustible nuevo (de menos de 60 días).

Uso de combustibles de mezcla

Si usted opta por usar un combustible de mezcla o si su uso es inevitable, tome las precauciones recomendadas.

- Use siempre una mezcla fresca de combustible según lo indica su manual del operador.
- Agite siempre la mezcla de combustible antes de cargarlo en la unidad.
- Drene el tanque y haga funcionar el motor en seco antes de guardar la unidad.

Uso de aditivos en el combustible

La botella de aceite de 2 ciclos que vino con su unidad contiene un aditivo en el combustible que ayudará a inhibir la corrosión y a reducir la formación de depósitos de goma. Se recomienda que use sólo el aceite de 2 ciclos con esta unidad.



Si es inevitable, use un buen aceite de 2 ciclos elaborado para motores enfriados por aire junto con un aditivo para el combustible como por ejemplo el estabilizador de gasolina STA-BIL® o similar. Agregue 23 mL (0,8 onzas) de aditivo de combustible por galón de combustible de acuerdo con las instrucciones del envase. NUNCA agregue aditivos directamente en el tanque de combustible de la unidad.



PRECAUCION: Para que el motor funcione correctamente y con la mayor fiabilidad, preste mucha atención a las instrucciones de mezcla de aceite y combustible del envase de aceite de 2 ciclos. El uso de combustible mezclado en forma incorrecta puede dañar seriamente el motor.

Mezcle bien la proporción correcta de aceite para motor de 2 ciclos y gasolina sin plomo en una lata de combustible por separado. Use una proporción de 40:1 de combustible y aceite. No los mezcle directamente en el tanque de combustible de la unidad. Consulte las proporciones específicas de mezcla de gasolina y aceite en la tabla siguiente.

NOTA: 3,8 litros (un galón) de gasolina sin plomo mezclada con una botella de 95 mL (3,2 onzas) de aceite de 2 ciclos es una proporción de 40:1 de combustible y aceite.

	+	
GASOLINA SIN PLOMO		ACEITE DE 2 CICLOS
3,8 LITROS (1 GALON de EE.UU.)		95 mL (3,2 ONZAS FLUIDAS)
1 LITRO		25 mL

PROPORCION DE LA MEZCLA = 40 : 1



ADVERTENCIA: La gasolina es muy inflamable. Los gases pueden explotar si se encienden. Apague siempre el motor y espere que se enfríe antes de cargar el tanque de combustible. No fume mientras llena el tanque. Mantenga las chispas y las llamas lejos del área.



ADVERTENCIA: Saque la tapa del combustible lentamente para evitar lesionarse con el rociado del combustible. No opere nunca la unidad sin la tapa del combustible firmemente colocada en su lugar.



ADVERTENCIA: Cargue el combustible en un área exterior limpia y bien ventilada. Limpie de inmediato todo combustible que se haya derramado. Evite crear una fuente de encendido con el combustible derramado. No arranque el motor hasta que se hayan evaporado los gases del combustible.

NOTA: Elimine la mezcla vieja de aceite y combustible de acuerdo con los reglamentos federales, estatales y locales.

CARGA DEL TANQUE DE COMBUSTIBLE

Cargue o agregue combustible al tanque sólo cuando el cultivador está en posición horizontal (Fig. 7).

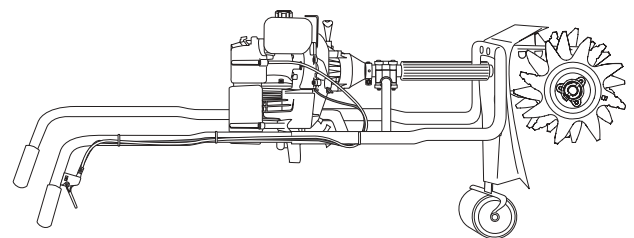


Fig. 7

INSTRUCCIONES DE ARRANQUE Y APAGADO



ADVERTENCIA: Use esta unidad sólo en un área exterior bien ventilada. Los gases de escape de monóxido de carbono pueden ser letales en un área cerrada.



ADVERTENCIA: Evite los arranques accidentales. Colóquese en posición de inicio cuando tire de la cuerda de arranque (Fig. 10). El operador y la unidad deben estar en una posición estable al arrancar la unidad para evitar graves lesiones personales.

INSTRUCCIONES DE ARRANQUE

1. Mezcle la gasolina con el aceite. Llene el tanque de combustible con la mezcla de combustible/aceite. *Vea las Información del Aceite y del Combustible.*
2. Verifica eso el control de encendido y apagado en posición de **ENCENDIDO (I)** (Fig. 8).
3. Oprima completamente el cebador y suéltelo 10 veces. Hágalo lentamente. Se deberá ver un poco de **combustible en el cebador** y en las tuberías de alimentación de combustible (Fig. 9). Si no puede ver el combustible en el cebador, oprímalo y suéltelo tantas veces como sea necesario hasta que vea combustible en el mismo.
4. **Empuje la Palanca EZ Fire™ hacia la primera bombilla** hasta que haga un clic y quede trabada en su lugar (Fig. 9).
5. Ponga la unidad en el suelo en posición horizontal, con los extremos de las manijas descansando sobre el suelo (Fig. 10).
6. Ponga su mano libre en el tanque de combustible para estabilizar la unidad. Con la otra mano, tire del cordón de arranque con un **movimiento controlado y estable**, hasta que el motor trate de arrancar. Repita el movimiento hasta que el motor arranque.

NOTA: La unidad usa Incredi-Pull™, lo cual reduce considerablemente el esfuerzo requerido para arrancar el motor. Debe halar el cordón de arranque lo suficiente para oír que el motor trata de arrancar. No es necesario halar el cordón con energía: no hay fuerte resistencia al halar. Tenga en cuenta que este método de arranque es muy diferente (y mucho más fácil) del que usted pudiera estar acostumbrado a usar.

7. Cuando el motor arranque, apriete el control de aceleración durante 15 a 30 segundos. Esto calentará la unidad. La **Palanca EZ Fire™ se desenganchará automáticamente** al apretar el control de aceleración.

SI... El motor no arranca, regrese al paso 3.

SI... El motor se detiene mientras usted está apretando el acelerador, regrese al paso 4.

SI... El motor se detiene antes de que usted apriete el control de aceleración, sujete el control de aceleración y tire del cordón de arranque hasta que el recortador arranque.

NOTA: Si tiene dificultad al arrancar la unidad o está operando a temperaturas extremas (por debajo de 4° C (40° F), o por encima de 32° C (90° F), consulte la sección de *Resolución de problemas*.

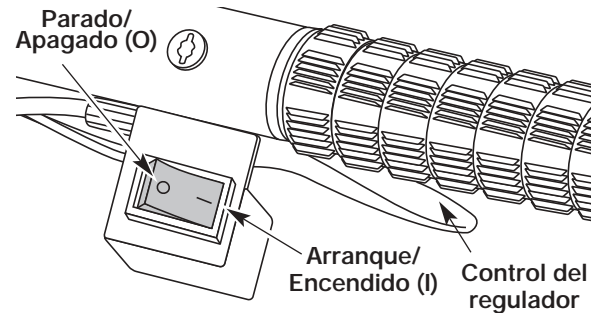


Fig. 8

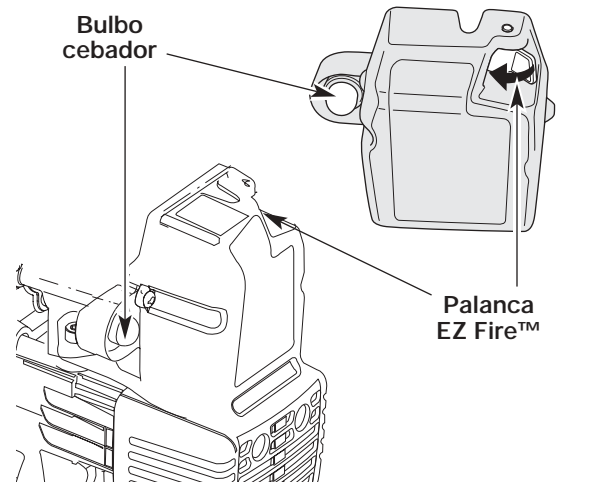


Fig. 9

Posición de Arranque

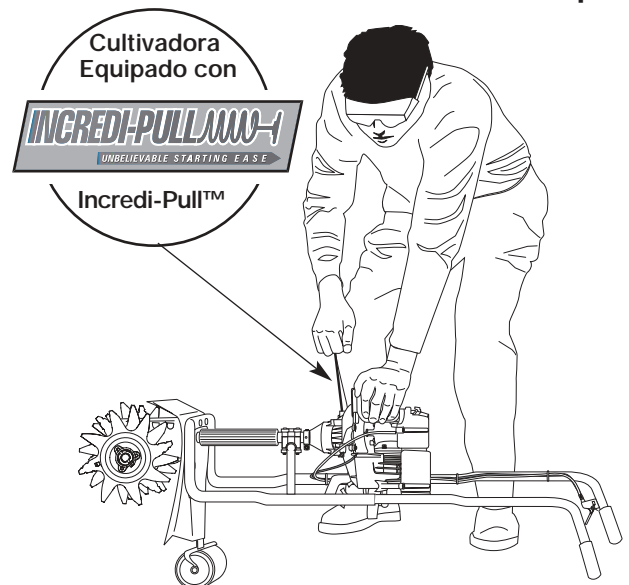


Fig. 10

INSTRUCCIONES DE APAGADO

1. Saque la mano del control del regulador. Deje enfriar el motor en mínima.
2. Coloque el control de encendido y apagado en posición de **APAGADO (O)**.

INSTRUCCIONES DE OPERACION

CONSEJOS PARA LA OPERACION



ADVERTENCIA: Vista en forma adecuada para reducir el riesgo de lesiones cuando opere esta unidad. No use ropa holgada ni alhajas. Use protección ocular y auditiva. Use pantalones largos y gruesos, botas y guantes. No use pantalones cortos, sandalias ni trabaje descalzo.

1. Transporte el cultivador hacia el área de trabajo antes de arrancar el motor. Puede transportar el cultivador empujándolo sobre ruedas.



ADVERTENCIA: Para evitar graves lesiones personales, nunca levante ni transporte la unidad con el motor en marcha.

2. Arranque la unidad siguiendo las *instrucciones de arranque*.
3. Con el motor en marcha y las púas sin tocar el suelo, oprima el control del regulador para aumentar la velocidad del motor.
4. Mientras sostiene ambos mangos del manubrio, baje lentamente el cultivador hasta que las púas hacen contacto con el suelo (Fig. 11).
5. A medida que comienza la actividad de cultivo, mueva el cultivador hacia atrás de modo que las púas puedan penetrar en la tierra.
6. Una vez que se ha abierto la tierra, continúe a un ritmo moderado hasta que conozca bien los controles y el manejo del cultivador.
7. Para mejorar la profundidad de cultivo, hale hacia atrás la unidad a medida que avance para que penetren más las púas en la tierra.



ADVERTENCIA: Para evitar graves lesiones personales, tenga mucho cuidado cuando invierta o gire la unidad hacia usted.

8. Si las púas están cavando a una profundidad excesiva o insuficiente, ajuste las púas de acuerdo a la sección *Ajuste de la profundidad de las púas*.



Fig. 11

TRANSPORTE DE LA UNIDAD



ADVERTENCIA: Para evitar graves lesiones personales, apague siempre el motor cuando demore la operación o mientras transporta la unidad entre áreas de trabajo.

1. Apague el motor.
2. Deslice el ensamble del soporte de la rueda totalmente hacia abajo.
3. Incline la unidad hacia atrás hasta que las púas desmalezan la tierra.
4. Empuje o lleve la unidad hasta el próximo lugar que deba cultivar.
5. Si necesita trasladar la unidad largas distancias, use el agarre de transporte.

INSTRUCCIONES DE MANTENIMIENTO Y REPARACION

NOTA: Algunos procedimientos de mantenimiento pueden requerir el uso de herramientas o habilidades especiales. Si no está seguro acerca de estos procedimientos, lleve su unidad a un establecimiento de reparación, persona o distribuidor de servicio autorizado de Sears que arregle motores para uso fuera de la carretera.

PROGRAMA DE MANTENIMIENTO

Estos procedimientos requeridos para el mantenimiento deben ser realizados con la frecuencia indicada en la tabla. Deben ser incluidos como parte de toda puesta a punto de cada temporada.



ADVERTENCIA: Nunca realice mantenimiento ni reparaciones con la unidad funcionando. Realice siempre el mantenimiento y las reparaciones con la unidad fría. Desconecte el cable de la bujía de encendido para cerciorarse de que la unidad no arrancará.

NOTA: El mantenimiento, la sustitución o arreglo de dispositivos para el control de emisiones y sistemas pueden ser hechos por cualquier establecimiento de reparación, persona o proveedor de servicio autorizado que arregle motores para uso fuera de la carretera.

A fin de garantizar el máximo desempeño del motor, puede ser necesario inspeccionar la lumbrera de escape del motor después de 50 horas de funcionamiento. Si usted observa pérdida de RPM, funcionamiento deficiente o falta general de aceleración, es posible que sea necesario realizar este mantenimiento. Si usted considera que su motor necesita esta inspección, haga que un establecimiento de reparación, persona o proveedor de servicio autorizado de Sears que arregle motores para uso fuera de la carretera le preste el servicio. NO intente realizar este proceso usted mismo ya que puede ocasionar daños al motor producto de los contaminantes que se encuentran en el proceso de limpieza de la lumbrera.

FRECUENCIA	MANTENIMIENTO REQUERIDO	CONSULTE
Antes de arrancar el motor	Llene el tanque de combustible con la mezcla correcta de aceite y combustible	Página 26
Cada 10 horass	Limpie y vuelva a aceitar el filtro de aire	Página 30
Cada 25 horass	Examine el parachispas y límpiolo Inspeccione la condición y la separación de la bujía de encendido	Página 31 Página 32
Cada 50 horas	Inspeccione si la lumbrera de escape y la rejilla del parachispas están tupidas u obstruidas para garantizar los niveles máximos de rendimiento	Página 31

REMOCIÓN Y REPOSICIÓN DE LAS PUAS

Las 4 púas deben cambiarse al mismo tiempo debido a que se desgastarán en forma pareja con el uso normal. Trabaje en un lado por vez.



ADVERTENCIA: Para evitar graves lesiones personales, use siempre guantes gruesos cuando maneje las púas.

- Coloque el control de encendido y apagado en la posición de APAGADO (O) y desconecte el cable de la bujía de encendido.

NOTA: Puede ser necesario colocar la cultivadora en posición horizontal sobre una superficie plana con la manija superior tocando el suelo

- Saque las presillas del pasador de la horquilla y los pasadores de la horquilla (Fig. 12a).
- Limpie y aceite el eje.
- Cuando está reinstalando dientes, distribuya los dientes y compárelos con los que aparecen en la Figura 12b. Note las características de cada diente: su cubo, curvatura y letra ("A" o "B"). Esto ayudará a garantizar que está colocando los dientes correctos en el orden correcto.

NOTA: Si se fija con atención, puede ver una ligera curvatura en las puntas de los dientes. Estas curvas deberán apuntar hacia el frente del cultivador cuando se instalan los dientes. La Figura 12b muestra la curva de cada diente.

- Usando las Figuras 12a y 12b como referencia, deslice los nuevos dientes con los cubos hacia afuera. Los dientes tienen estampadas "A" o "B." El orden de los dientes deberá ser "B, A, B, A" de izquierda a derecha al estar de frente a la parte delantera del cultivador.

- Asegure los nuevos dientes al árbol con chavetas de trinquete.

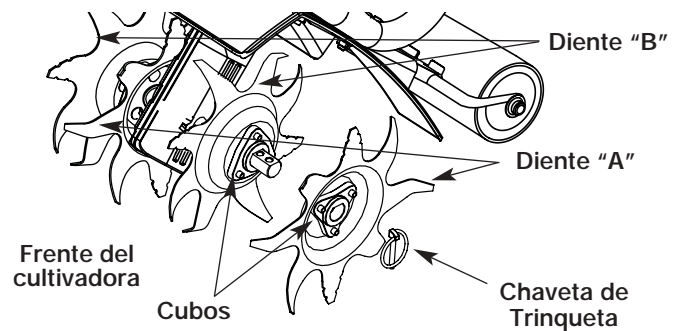


Fig. 12a

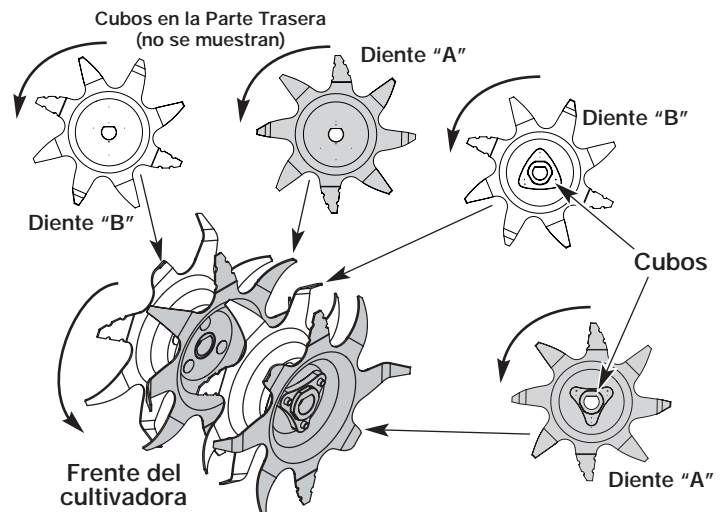


Fig. 12b

INSTRUCCIONES DE MANTENIMIENTO Y REPARACION

MANTENIMIENTO DEL FILTRO DE AIRE



ADVERTENCIA: Para evitar graves lesiones personales, apague siempre su recortador y espere que se enfríe antes de limpiarlo o realizar todo tipo de mantenimiento.

Remoción de la cubierta del silenciador / filtro de aire

1. Saque los cuatro (4) tornillos que sostienen la cubierta del silenciador / filtro de aire (Fig. 13). Use un destornillador de vástago plano o de broca Torx N° T20.
2. Saque la cubierta del motor. No la fuerce.

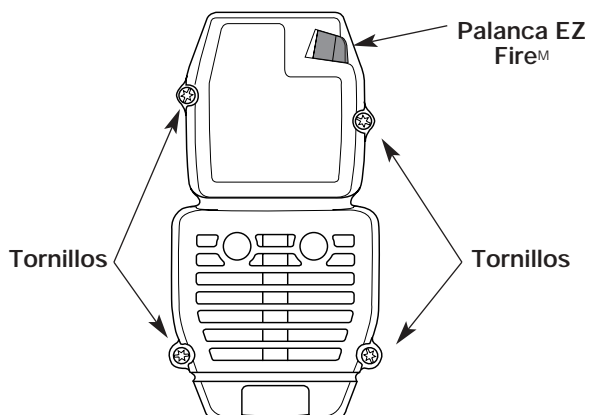


Fig. 13

Nettoyage du Filtre a Air

Limpie y vuelva a aceitar el filtro de aire cada 10 horas de funcionamiento. Es una de las partes cuyo mantenimiento es importante. Si no realiza el mantenimiento del filtro de aire, su garantía quedará anulada.

1. Saque la cubierta del silenciador / filtro de aire. Lea la sección de Remoción e Instalación de la cubierta del silenciador / filtro de aire.
2. Saque el filtro de aire del interior de la cubierta del silenciador / filtro de aire (Fig. 14).
3. Lave el filtro con agua y detergente (Fig. 14). Enjuague bien el filtro. Escorra el exceso de agua. Déjelo secar por completo.
4. Aplique suficiente aceite SAE 30 limpio como para recubrir ligeramente el filtro (Fig. 15).
5. Apriete el filtro para esparcir y retirar el exceso de aceite (Fig. 15).
6. Vuelva a colocar el filtro de aire en el interior de la cubierta del silenciador / filtro de aire (Fig. 14).

NOTA: Si opera la unidad sin el filtro de aire y el ensamble de la cubierta del silenciador / filtro de aire, su garantía quedará **ANULADA**.

Reinstalación de la cubierta del silenciador / filtro de aire

1. Coloque la cubierta del silenciador / filtro de aire sobre la parte posterior del carburador y del silenciador.

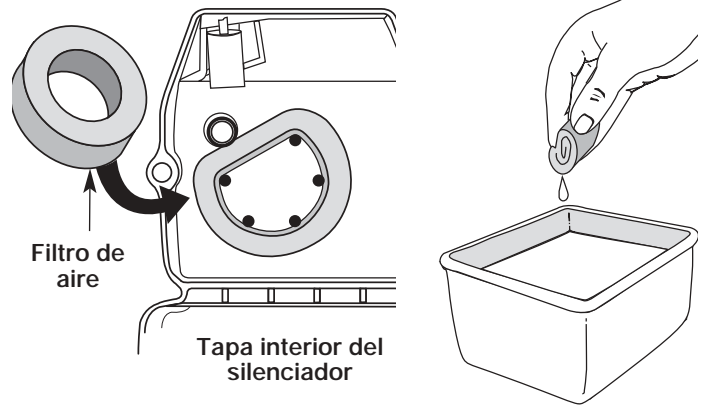


Fig. 14

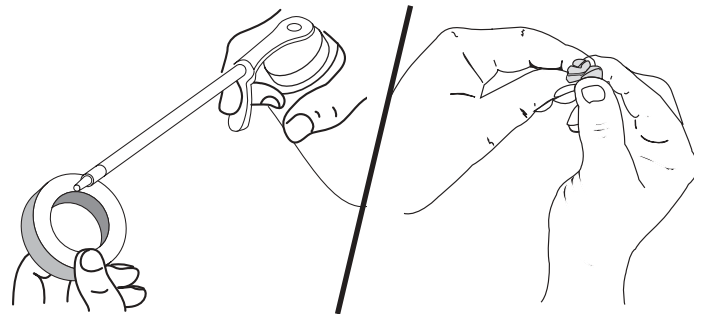


Fig. 15

2. Inserte los cuatro (4) tornillos en los orificios de la cubierta del silenciador / filtro de aire y ajústelos. **No los ajuste demasiado.**

MANTENIMIENTO DEL PARACHISPAS

1. Quite el filtro de aire / tapa del silenciador. Ver *Remoción de la Tapa del Filtro / Silenciador*.
2. Ubique el frente del silenciador y los dos (2) pernos que lo sujetan al motor (Fig. 16). Quite los dos (2) pernos con un destornillador de punta plana, una llave de tubo de 5/16 o destornillador para tuercas. Hale el silenciador del motor.
3. Voltee el silenciador al lado posterior y ubique la junta de escape. Retire la junta de escape (Fig. 16).

NOTA: Si la junta de escape está torcida o dañada, ponga una nueva antes de volver a instalar el silenciador.

4. Despegue cuidadosamente el parachispas con un destornillador de punta plana del orificio en bajo relieve (Fig. 17). Quite el parachispas del silenciador.
5. Limpie el parachispas con un cepillo de cerdas metálicas. Cámbielo si está dañado o si no lo puede limpiar completamente (Fig. 17).
6. Reinstale el parachispas presionándolo dentro del orificio en bajo relieve de la parte posterior del silenciador. Asegúrese que encaje fijamente contra el silenciador y que no quede levantado.
7. Ponga la junta del silenciador contra el lado posterior del mismo. Alinee los orificios de los pernos de la junta del silenciador en el silenciador. Mientras sostiene la junta en su lugar, ponga los pernos en el lado frontal del silenciador (Fig. 16).

INSTRUCCIONES DE MANTENIMIENTO Y REPARACION

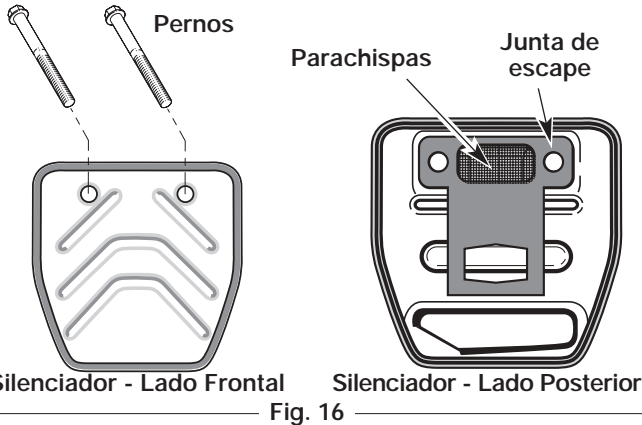
8. Ponga el silenciador con la junta en su lugar y los pernos insertados contra el motor, alineando los orificios de los pernos. Apriete los pernos contra el motor, para asegurar el silenciador.

Si usa una llave de torsión, ajuste a:
80-90 pulg. • libras (9-10.2 N • m).

9. Reinstale la tapa del filtro de aire / silenciador.



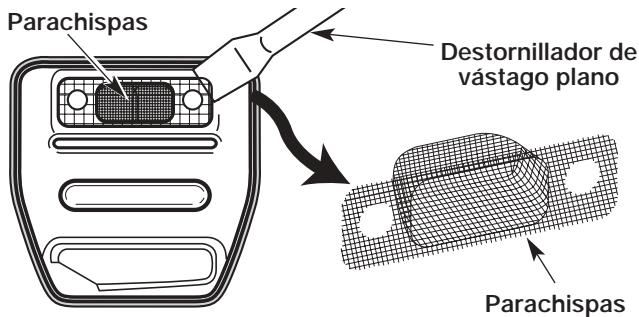
ADVERTENCIA: Si el silenciador no se aprieta fijamente se puede caer y causarle daño a la unidad y posibles lesiones personales graves.



Silenciador - Lado Frontal

Silenciador - Lado Posterior

Fig. 16



Silenciador - Lado Posterior

Fig. 17

AJUSTE DEL CARBURADOR

La velocidad lenta del motor puede ser ajustada por la cubierta del silenciador / filtro de aire (Fig. 18).

NOTA: Los ajustes realizados sin cuidado pueden dañar seriamente su unidad. Los ajustes del carburador deben ser realizados por un proveedor de servicio autorizado de Sears.

Limpie el filtro de aire

La condición del filtro de aire es importante para la operación de la unidad. Un filtro de aire sucio limitará el flujo de aire y cambiará la mezcla de combustible y aire en el carburador. Esto con frecuencia se confunde con un carburador mal ajustado. Verifique la condición del filtro de aire antes de ajustar el tornillo de marcha lenta. Lea *Mantenimiento del filtro de aire*.

Controle la mezcla del combustible

Una mezcla incorrecta o vieja de combustible es en general el motivo por el cual la unidad no funciona adecuadamente. Drene y vuelva a llenar el tanque con combustible nuevo y bien mezclado antes de hacer ningún ajuste. Lea la *Información del Aceite y Combustible*.

Ajuste del regulador de velocidad mínima



ADVERTENCIA: La unidad funcionará durante los ajustes del carburador. Use ropa que lo proteja y cumpla con todas las instrucciones de seguridad para prevenir graves lesiones personales.

Si luego de verificar la mezcla del combustible y limpiar el filtro de aire el motor aún no funciona en mínima, ajuste el tornillo de velocidad lenta de la siguiente manera.

1. Arranque el motor y déjelo funcionar durante 2-3 minutos a alta velocidad (regulación plena) para que se caliente. Lea las *Instrucciones de Arranque y Apagado*.

NOTA: Verifique que las púas no estén en contacto con el suelo cuando ajuste la marcha lenta.

2. Suelte el gatillo del regulador y deje que el motor funcione en marcha lenta. Si el motor se para, inserte un pequeño destornillador Phillips o de vástago plano en el orificio de la cubierta del silenciador / filtro de aire (Fig. 18). Gire el tornillo de marcha lenta en sentido horario, de a 1/8 de vuelta por vez (según sea necesario) hasta que el motor funciona en mínima.

NOTA: Las púas no deben girar cuando el motor está en mínima.

3. Si las púas giran cuando el motor está en mínima, gire el tornillo de marcha lenta en sentido antihorario 1/8 de vuelta por vez (según sea necesario) para reducir la marcha lenta.

El control de la mezcla de combustible, la limpieza del filtro de aire y el ajuste del tornillo de marcha lenta deben resolver la mayoría de los problemas del motor. De no ser así y si:

- El motor no funciona en mínima
- El motor fluctúa o se para al acelerar
- Existe una pérdida de fuerza motriz

Lleve el carburador a un proveedor de servicio autorizado de Sears para que lo ajuste.

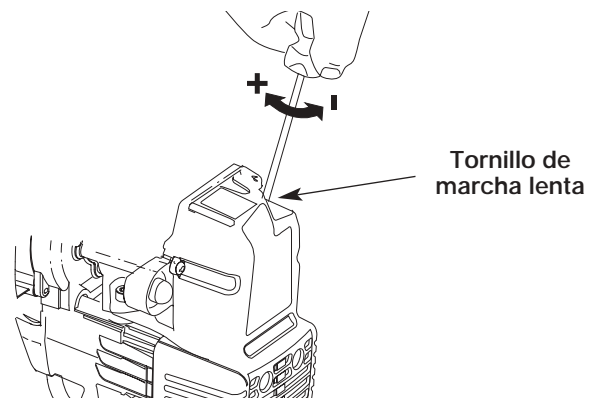


Fig. 18

INSTRUCCIONES DE MANTENIMIENTO Y REPARACION

CAMBIO DE LA BUJIA DE ENCENDIDO

Use una bujía de encendido Champion RDJ7Y (o similar). La separación correcta es de 0.020 pulgadas (0.5 mm). Retire la bujía luego de cada 50 horas de operación e inspeccione su estado.

1. Apague el motor y espere que se enfríe. Tome el alambre de la bujía con firmeza y sáquelo de la bujía de encendido.
2. Limpie alrededor de la bujía de encendido. Saque la bujía de encendido de la cabeza del cilindro girando una llave de casquillo de 16 mm (5/8 de pulgada) en sentido antihorario.

NOTA: Cambie las bujías que estén rajadas, sucias o deterioradas

3. Fije la separación de aire a 0,5 mm (0,020 pulgadas) utilizando un calibrador (Fig. 19).

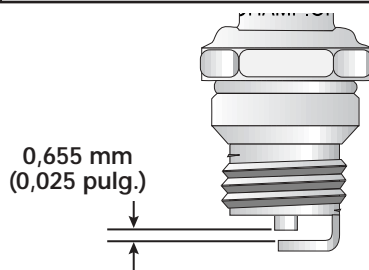
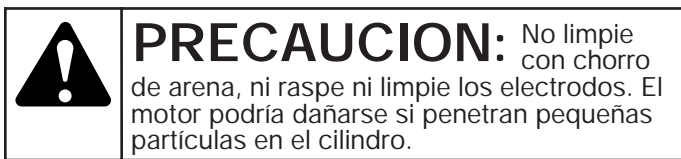
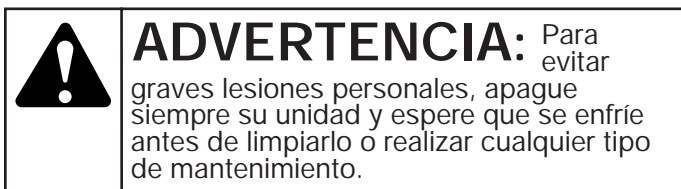


Fig. 19

4. Instale una bujía de encendido con la separación correcta en la cabeza del cilindro. Ajuste girando la llave de casquillo 16 mm (5/8 de pulgada) en sentido horario hasta que esté ajustada sin huelgo.

Si usa una llave de torsión, ajuste a **110-120 pulg. • libras (12,3-13,5 N•m)**. No ajuste demasiado.

LIMPIEZA DE LA UNIDAD



- Use un cepillo pequeño para limpiar la parte exterior de la unidad y para mantener los respiraderos libres de obstrucciones.
- No use detergentes fuertes ni limpiadores derivados del petróleo como queroseno. Algunos limpiadores domésticos contienen aceites aromáticos como pino y limón que pueden dañar los bastidores de plástico y las manijas. Seque toda la humedad con un paño suave.

ALMACENAMIENTO

- No guarde nunca la unidad con combustible en el tanque donde los vapores puedan llegar a una llama o chispa.
- Espere que el motor se enfríe antes de guardar la unidad.
- Guarde la unidad bajo llave para prevenir el uso por personas no autorizadas y su daño.

- Guarde la unidad en un área seca y bien ventilada.
- Guarde la unidad fuera del alcance de los niños.

ALMACENAMIENTO PROLONGADO

Si planea guardar la unidad durante un largo período de tiempo:

1. Drene todo el combustible del tanque de combustible en un recipiente. No use combustible que haya permanecido guardado durante más de 60 días. Deseche el combustible viejo de acuerdo con los reglamentos locales.
2. Arranque el motor y déjelo funcionar hasta que se ahogue. Esto asegura que todo el combustible ha sido drenado del carburador.
3. Espere que el motor se enfríe. Retire la bujía de encendido y coloque alrededor de 30 ml (1 onza) de aceite para motor de buena calidad dentro del cilindro. Tire de la cuerda de arranque lentamente para esparcir el aceite. Vuelva a instalar la bujía de encendido.

NOTA: Saque la bujía de encendido y drene todo el aceite del cilindro antes de intentar arrancar el soplador / aspirador después de su almacenamiento.

4. Limpie bien la unidad e inspeccione para ver si existen partes flojas o dañadas. Repare o cambie las partes dañadas y ajuste los tornillos, tuercas o pernos que puedan estar flojos. La unidad está lista para ser guardada.

TRANSPORTE

- Espere que el motor se enfríe antes de transportar la unidad.
- Asegure la unidad durante su transporte.
- Drene el tanque del combustible antes de transportar la unidad.
- Ajuste la tapa del combustible antes de transportar la unidad.

TRANSPORTE DE LA UNIDAD

1. Deje que la unidad se enfríe antes de transportarla.
2. Afloje las perillas del manubrio.
3. Pliegue el manubrio hacia abajo según se ilustra (Fig. 20).

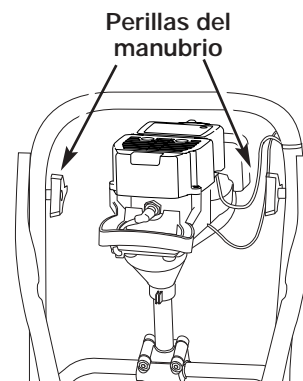


Fig. 20

4. Transporte la unidad ya sea por el mango del tubo del eje o tome el centro del manubrio para usarlo como manija de transporte.
5. Luego de haber transportado la unidad, vuelva a colocar el manubrio en su lugar y continúe la operación.

RESOLUCION DE PROBLEMAS

EL MOTOR NO ARRANCA

CAUSA

El tanque de combustible está vacío
La bombilla de cebado no fue oprimida lo suficiente
El motor está inundado
El combustible es viejo o está mal mezclado

La bujía de encendido está arruinada
Parachispas obstruido
La palanca EZ Fire™ no estaba en la posición correcta
La temperatura exterior es por debajo de 4° C (40° F)

La temperatura exterior es de más de 32° C (90° F)

ACCIÓN

Llene el tanque con combustible bien mezclado
Oprima la bombilla de cebado total de 10 veces
Use el procedimiento de arranque
Drene el tanque de gasolina / Agregue mezcla de combustible nueva
Cambie o limpie la bujía de encendido
Limpie o cambie el parachispas
Mueva la palanca a la posición de arranque
Hale el cordón de arranque hasta un máximo de 10-15 veces
Oprima el control del regulador y hale el cordón de arranque

EL MOTOR NO FUNCIONA EN MINIMA

CAUSA

El filtro de aire está obstruido
El combustible es viejo o está mal mezclado

El carburador no está ajustado en forma correcta

ACCIÓN

Cambie o limpie el filtro de aire
Drene el tanque de gasolina / Agregue mezcla de combustible nueva
Ajuste según las instrucciones

EL MOTOR NO ACELERA

CAUSA

El combustible es viejo o está mal mezclado

El carburador no está ajustado en forma correcta

El accesorio de corte está atascado de hierba
El filtro de aire está sucio
Parachispas obstruido

ACCIÓN

Drene el tanque de gasolina / Agregue mezcla de combustible nueva
Lleve la unidad a un proveedor de servicio autoriza de Sears do para hacer un ajuste de carburador
Pare el motor y limpie el accesorio de corte
Limpie o cambie el filtro de aire
Limpie o cambie el parachispas

EL MOTOR NO TIENE SUFICIENTE POTENCIA O SE AHOGA AL CORTAR

CAUSA

El combustible es viejo o está mal mezclado

El carburador no está ajustado en forma correcta

La bujía de encendido está arruinada
Parachispas obstruido

ACCIÓN

Drene el tanque de gasolina / Agregue mezcla de combustible nueva
Lleve la unidad a un proveedor de servicio autoriza de Sears do para hacer un ajuste de carburador
Cambie o limpie la bujía de encendido
Limpie o cambie el parachispas

NOTA: Para reparaciones mayores que no estén enumeradas anteriormente, contacte a su centro de servicio técnico Sears más cercano o a otro centro de servicio técnico calificado o llame al 1-800-4-MY-HOME®.

ESPECIFICACIONES

MOTOR*

Tipo de motor.....	Enfriado por aire, de 2 ciclos
Desplazamiento	31 cm ³ (1,9 pulg ³)
R.P.M. de velocidad mínima	2.600 - 3.600 r.p.m.
R.P.M. de operación	7.800+ r.p.m.
Tipo de embrague	Centrífugo
Tipo de encendido	Electrónico
Control de encendido y apagado	Interruptor oscilante
Separación de la bujía de encendido.....	0,5 mm (0,020 pulg.)
Lubricación.....	Mezcla de combustible y aceite
Proporción de combustible y aceite	40:1
Carburador	Diafragma, multiposicional
Arranque.....	Rebobinado automático
Silenciador	Desviado con protección
Regulador.....	Retroceso de resorte
Capacidad del tanque de combustible.....	415 ml (14 onzas)

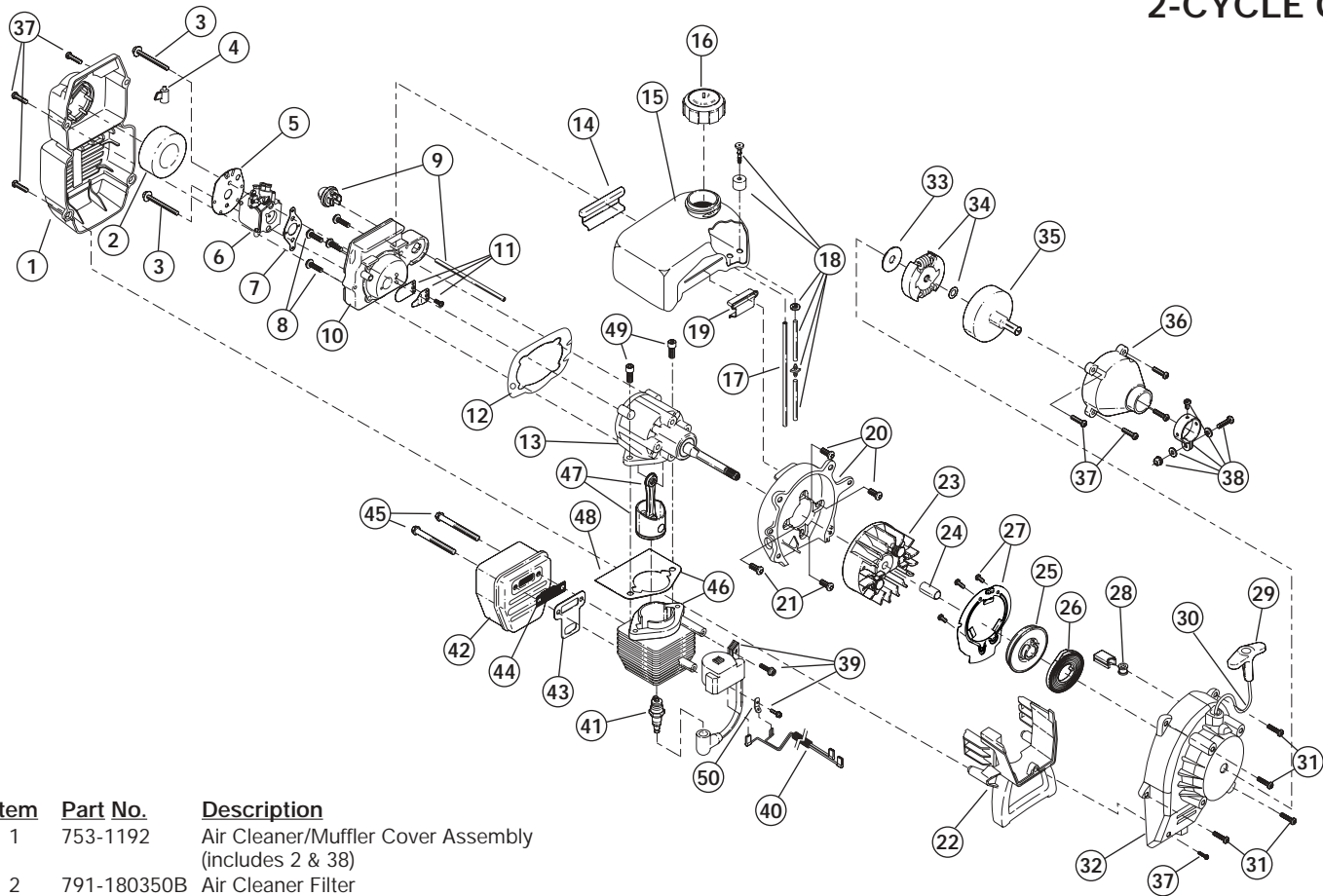
EJE IMPULSOR Y CULTIVADOR*

Tubo del eje impulsor	Tubo de acero
Control del regulador.....	Gatillo para el dedo
Ancho de la trayectoria de cultivo (Máximo)	22,86 cm (9 pulgadas)
Profundidad de cultivo (Máximo)	12,7 cm (5 pulgadas)
Peso (sin combustible)	12 kg (26 libras)

*Toda las especificaciones contenidas en este manual se basan en la información más reciente disponible en el momento de impresión del manual. Nos reservamos el derecho de hacer cambios en cualquier momento sin aviso previo.

PARTS LIST

ENGINE PARTS: MODEL MINI-TILLER EDGER 2-CYCLE GAS

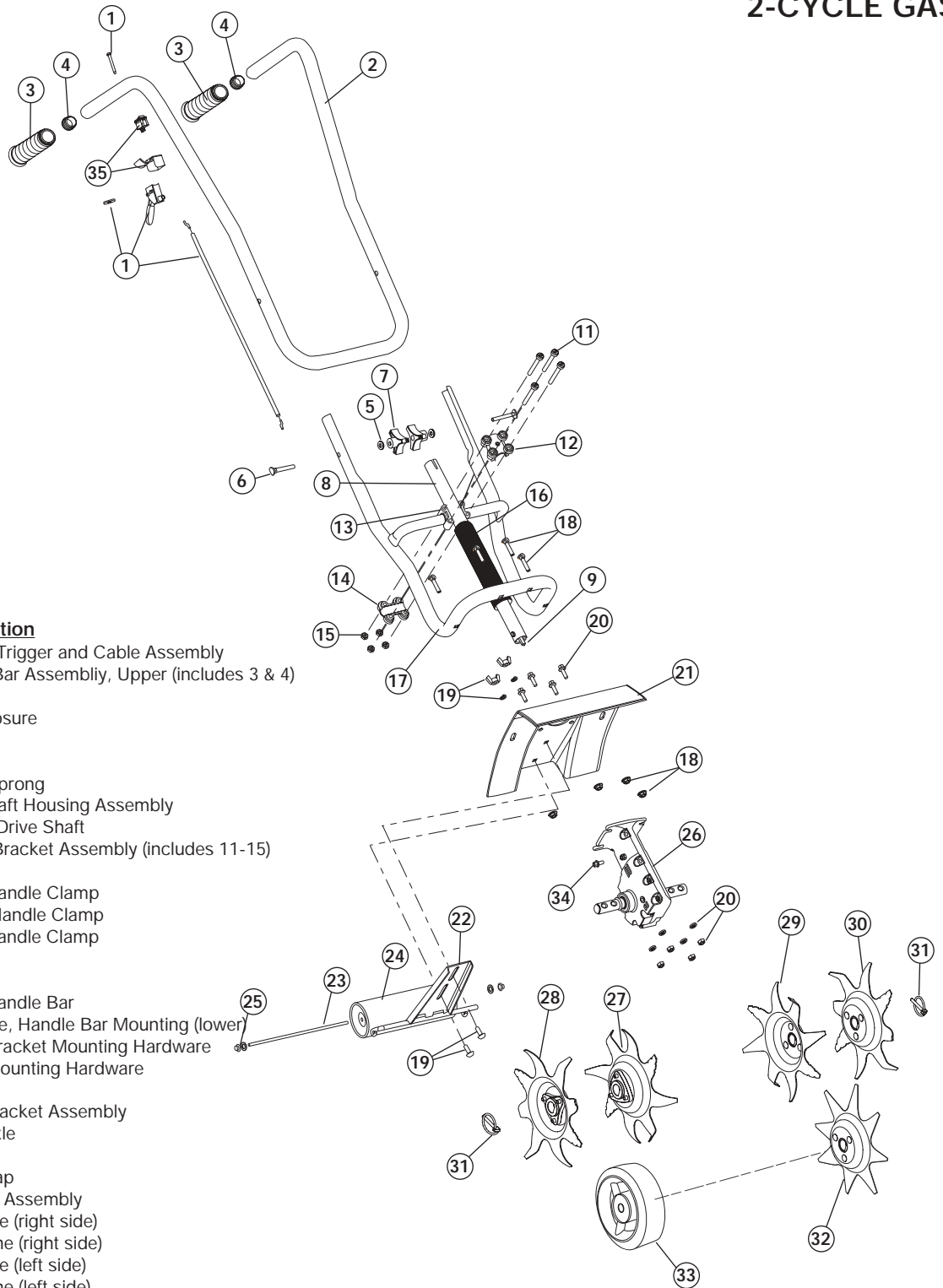


Item	Part No.	Description
1	753-1192	Air Cleaner/Muffler Cover Assembly (includes 2 & 38)
2	791-180350B	Air Cleaner Filter
3	791-180351	Carburetor Mounting Screw Assembly
4	753-04227	Choke Lever
5	753-1194	Choke Plate
6	753-04331	Carburetor Assembly (includes 7 & 18)
7	791-610675	Carburetor Gasket
8	791-181860	Carb Mount Screw
9	791-683974B	Primer and Hose Assembly
10	753-1196	Carb Mount Assembly (includes 8 & 11)
11	791-684451	Reed Assembly
12	753-1208	Carburetor Mount Gasket
13	753-04704	Crank Case Service Assembly (includes 8 & 21)
14	791-612134	Rear Mounting Pad
15	753-04306	Fuel Tank Assembly (includes 16-18)
16	791-182612	Fuel Cap Assembly
17	791-181086	Fuel Return Line
18	791-682039	Fuel Line Assembly
19	791-145308	Front Mounting Pad
20	791-683065	Shroud Assembly (includes 23)
21	791-181861	Shroud Screw
22	791-182064	Shroud Extension & Stand (includes 37)
23	791-182736	Flywheel Assembly
24	791-181525	Spacer
25	753-04459	Recoil Pulley Assembly
26	753-04286	Recoil Spring
27	753-04705	Pulley Retainer Assembly
28	791-611061	Rope Guide
29	791-181079	Pull Handle
30	791-613103	Rope
31	791-181912	Housing Screw

Item	Part No.	Description
32	753-04706	Starter Housing Assembly (includes 25-31 & 37)
33	791-182368	Clutch Washer
34	791-182369	Clutch Rotor Assembly
35	791-153592	Clutch Drum Assembly
36	791-180098	Clutch Cover Assembly (includes 37)
37	791-181345	Cover Screw
38	791-153597	Upper Clamp Assembly
39	753-04337	Module Assembly (includes 50)
40	791-182880	Wire Lead
41	791-610311B	Spark Plug
42	791-182174	Muffler Assembly (includes 43-45)
43	753-04159	Exhaust Gasket
44	791-182747	Spark Arrestor
45	791-147575	Muffler Mounting Bolt Assembly
46	753-04323	Cylinder Assembly (includes 48 & 49)
47	753-04367	Piston and Rod Assembly
48	753-1197	Cylinder Gasket
49	791-182723	Cylinder Bolt
50	791-611063	Ground Tab
*	753-04134	Engine Gasket Kit
*	753-1209	Piston Ring
*	753-04707	Short Block Assembly (includes 10, 13, 21, 41, 47-49)
*	791-181599	Clutch Springs (Qty. 2)
*		not shown

PARTS LIST

CULTIVATOR AND BOOM PARTS 2-CYCLE GAS



Item	Part No.	Description
1	791-182881	Throttle Trigger and Cable Assembly
2	791-182882	Handle Bar Assembly, Upper (includes 3 & 4)
3	791-182675	Grip
4	791-182676	Tube Closure
5	791-182678	Washer
6	791-182899	Bolt
7	791-182898	Knob, 3 prong
8	791-180943	Drive Shaft Housing Assembly
9	791-181577	Flexible Drive Shaft
10	791-683295	Handle Bracket Assembly (includes 11-15)
11	791-181811	Screw
12	791-181812	Upper Handle Clamp
13	791-181813	Middle Handle Clamp
14	791-181814	Lower Handle Clamp
15	791-181815	Nut
16	791-181575	Grip
17	791-182900	Lower Handle Bar
18	791-182681	Hardware, Handle Bar Mounting (lower)
19	791-147467	Wheel Bracket Mounting Hardware
20	753-04266	Guard Mounting Hardware
21	753-04708	Guard
22	753-04796	Roller Bracket Assembly
23	753-04797	Roller Axle
24	753-04798	Roller
25	753-04799	Roller Cap
26	753-04075	Gearbox Assembly
27	753-04074	Inner Tine (right side)
28	753-04073	Outer Tine (right side)
29	753-04072	Inner Tine (left side)
30	753-04071	Outer Tine (left side)
31	753-04070	Click Pin
32	753-04069	Edger Tine
33	753-04068	Edger Wheel
34	791-180288	Sleeve Retainer Bolt
35	791-182893	Switch

Optional Accessories

- * 791-147543 2-Cycle Oil
- * not shown

Declaración de Garantía de Control de Emisiones de la EPA Sus Derechos y Obligaciones de la Garantía

La Agencia de Protección Ambiental y Sears se complacen en explicar la garantía del sistema de control de emisiones para su pequeño motor para uso fuera de la carretera del 2002 y posterior. Los nuevos motores pequeños para uso fuera de la carretera tienen que diseñarse, construirse y equiparse para cumplir las normas contra smog más estrictas. Ryobi tiene que garantizar el sistema de control de emisiones de su pequeño motor para uso fuera de la carretera durante los períodos de tiempo que aparecen a continuación siempre que no haya habido abuso, negligencia o mantenimiento indebido de su motor para uso fuera de la carretera.

El sistema de control de emisiones puede incluir piezas tales como el carburador o sistema de inyección de combustible, el sistema de encendido y el convertidor catalítico. También puede incluir mangueras, correas, conectores y otros componentes relacionados con el control de emisiones.

Cuando exista una condición justificable, Sears arreglará su pequeño motor todo-terreno sin costo alguno, incluyendo el diagnóstico, piezas y mano de obra.

Los pequeños motores todo-terreno del año 2002 y años posteriores están garantizados por dos años. Si su motor tiene alguna pieza defectuosa que esté relacionada con las emisiones, Sears la arreglará o cambiará.

Responsabilidades del Propietario para la Garantía

- Como propietario del pequeño motor todo-terreno, usted tiene la responsabilidad de la ejecución del mantenimiento requerido que se describe en el manual del operador. Sears le recomienda que conserve todos los recibos que cubran el mantenimiento de su pequeño motor todo-terreno, mas Sears no puede negarle la garantía por carecer de ellos o por omitir la ejecución del mantenimiento programado.
- No obstante, como propietario del pequeño motor todo-terreno, usted debe tener en cuenta que Sears puede negarle la cobertura de garantía si su pequeño motor todo-terreno o alguna parte falla debido al abuso, negligencia, mantenimiento inapropiado o modificaciones no aprobadas.
- Usted tiene la presponsabilidad de llevar el pequeño motor todo-terreno a un centro de servicio autorizado Sears tan pronto como exista un problema. Las reparaciones de garantía se deben llevar a cabo dentro de un tiempo razonable, que no exceda los 30 días.

Si tiene alguna pregunta relacionada con los derechos y responsabilidades de su garantía, debe llamar al 1-800-4-MY-HOME.

Cobertura de la Garantía del Fabricante

- El periodo de garantía empieza en la fecha que el motor o equipo se le entrega al comprador al detalle.
- El fabricante le garantiza al propietario original y a cada comprador posterior que el motor no tiene defectos en cuanto a su material o mano de obra, los cuales causen la falla de una pieza garantizada durante un periodo de dos años.
- La reparación o sustitución de una pieza garantizada se hará sin costo alguno para el propietario, en un centro de servicio autorizado Sears. Por favor contacte a Sears para informarse sobre el lugar más cercano. 1-800-4-MY-HOME.
- Cualquier pieza garantizada cuya sustitución no esté programada, como mantenimiento requerido o que únicamente esté programada para una inspección regular para "Arreglar o cambiar según sea necesario", está garantizada durante el período de garantía. Cualquier pieza garantizada cuya sustitución esté programada como mantenimiento requerido, será garantizada durante el período de tiempo hasta el punto de la primera sustitución programada para esa pieza.
- No se le cobrará al propietario por el trabajo de diagnóstico que conduzca a la conclusión de que una pieza garantizada se encuentra defectuosa, si el trabajo de diagnóstico lo hace un centro de servicio autorizado Sears.
- El fabricante es responsable de los daños causados a otros componentes del motor cuando falle una pieza garantizada que aún esté cubierta.
- Las fallas causadas por el abuso, negligencia o el mantenimiento inapropiado no están cubiertas bajo esta garantía.
- La utilización de accesorios o piezas modificadas puede ser la razón para no permitir una reclamación de garantía. El fabricante no es responsable de la cobertura de fallas de piezas garantizadas causadas por el uso de piezas incorporadas o modificadas.
- Para presentar una reclamación, diríjase a su centro de servicio autorizado Sears cercana. Los servicios de garantía o de reparación se prestarán en todos los centros de servicio autorizado Sears.
- Se puede usar cualquier pieza de sustitución aprobada por el fabricante cuando se haga cualquier mantenimiento de garantía o reparación de piezas relacionadas con las emisiones, y se hará sin costo al propietario. Se usará cualquier pieza que sea equivalente en rendimiento o durabilidad en el mantenimiento o reparación que no estén cubiertos por la garantía, lo cual no reducirá las obligaciones de garantía del fabricante.
- Los siguientes componentes están incluidos en la garantía relacionada con las emisiones del motor, filtro de aire, carburador, cebador, líneas de combustible, toma de combustible, /filtro de combustible, módulo de encendido, bujía y silenciador.

NOTES

Repair Protection Agreements

Congratulations on making a smart purchase. Your new Craftsman® product is designed and manufactured for years of dependable operation. But like all products, it may require repair from time to time. That's when having a Repair Protection Agreement can save you money and aggravation.

Purchase a Repair Protection Agreement now and protect yourself from unexpected hassle and expense.

Here's what's included in the Agreement:

- ☑ **Expert service** by our 12,000 professional repair specialists
- ☑ **Unlimited service and no charge** for parts and labor on all covered repairs
- ☑ **Product replacement** if your covered product can't be fixed
- ☑ **Discount of 10%** from regular price of service and service-related parts not covered by the agreement; also, 10% off regular price of preventive maintenance check
- ☑ **Fast help by phone** – phone support from a Sears technician on products requiring in-home repair, plus convenient repair scheduling

Once you purchase the Agreement, a simple phone call is all that it takes for you to schedule service. You can call anytime day or night, or schedule a service appointment online.

Sears has over 12,000 professional repair specialists, who have access to over 4.5 million quality parts and accessories. That's the kind of professionalism you can count on to help prolong the life of your new purchase for years to come. Purchase your Repair Protection Agreement today!

Some limitations and exclusions apply. For prices and additional information call 1-800-827-6655.

Sears Installation Service

For Sears professional installation of home appliances, garage door openers, water heaters, and other major home items, in the U.S.A. call 1-800-4-MY-HOME®

Convenios de Cobertura de Gastos para Reparaciones

Felicidades por haber hecho una compra inteligente. Su nuevo producto Craftsman está diseñado y fabricado para que opere de manera confiable durante años. Pero como todos los productos, pudiera necesitar una reparación cada cierto tiempo. Por eso el tener un Convenio de Cobertura de Gastos para Reparaciones puede ahorrarle dinero y disgustos.

Adquiera un Convenio de Cobertura de Gastos para Reparaciones ahora y protéjase de problemas y gastos inesperados.

He aquí lo que incluye el Convenio:

- **Servicio proporcionado** por nuestros 12.000 especialistas expertos en reparaciones profesionales
- **Servicio ilimitado sin cargos** por piezas ni mano de obra, en todas las reparaciones cubiertas
- **Reemplazo del producto**, si sus productos cubiertos no pueden arreglarse
- **Descuento del 10%** del precio regular del servicio y de piezas relacionadas con el servicio no cubiertas por el convenio; además, descuento del 10% del precio regular de los chequeos de mantenimiento preventivo
- **Ayuda rápida por teléfono:** apoyo telefónico por parte de un técnico de Sears en los productos que requieren reparación en el hogar, además de la programación de la reparación a una hora conveniente

Una vez que usted adquiera el Convenio, basta con una llamada telefónica para programar el servicio. Usted puede llamar a cualquier hora del día o de la noche, o programar por Internet una cita para el servicio.

Sears tiene más de 12.000 especialistas en reparaciones profesionales, que tienen acceso a más de 4,5 millones de piezas y accesorios de calidad. Ese es el tipo de profesionalismo con el que usted puede contar para ayudar a prolongar la vida útil de su nueva adquisición durante años. ¡Adquiera hoy mismo su Convenio de Cobertura de Gastos para Reparaciones!

Se aplican algunas limitaciones y exclusiones. Para precios e información adicional, llame al 1-800-827-6655.

Servicio de Instalación de Sears

Para la instalación por parte de profesionales de Sears de efectos electrodomésticos; abridores de puertas de garaje, calentadores de agua y demás artículos domésticos de mayor cuantía, en los EE.UU., llame al 1-800-4-MY-HOME®.

Get it fixed, at your home or ours!

Your Home

For repair – **in your home** – of **all** major brand appliances, lawn and garden equipment, or heating and cooling systems, **no matter who made it, no matter who sold it!**

For the replacement parts, accessories and owner's manuals that you need to do-it-yourself.

For Sears professional installation of home appliances and items like garage door openers and water heaters.

1-800-4-MY-HOME[®] (1-800-469-4663)

Call anytime, day or night (U.S.A. and Canada)

www.sears.com www.sears.ca

Our Home

For repair of carry-in items like vacuums, lawn equipment, and electronics, call or go on-line for the location of your nearest **Sears Parts & Repair Center.**

1-800-488-1222

Call anytime, day or night (U.S.A. only)

www.sears.com

To purchase a protection agreement (U.S.A.) or maintenance agreement (Canada) on a product serviced by Sears:

1-800-827-6655 (U.S.A.)

1-800-361-6665 (Canada)

Para pedir servicio de reparación a domicilio, y para ordenar piezas:

1-888-SU-HOGARSM

(1-888-784-6427)

Au Canada pour service en français:

1-800-LE-FOYER^{MC}

(1-800-533-6937)

www.sears.ca

SEARS

® Registered Trademark / TM Trademark / SM Service Mark of Sears, Roebuck and Co.

® Marca Registrada / TM Marca de Fábrica / SM Marca de Servicio de Sears, Roebuck and Co.

^{MC} Marque de commerce / ^{MD} Marque déposée de Sears, Roebuck and Co.

© Sears, Roebuck and Co.