

INSTALLATION INSTRUCTIONS

Product No.

33049

TOYOTA TUNDRA

75105

SMALL PARTS
PACKAGE K75105

TOWING PRODUCTS

PLYMOUTH, MI

WARNING: DO NOT LUBRICATE THREADS, BOLT FAILURE MAY OCCUR DUE TO OVER TIGHTENING.

WARNING: DO NOT DRILL OR WELD TO THIS HITCH.

IMPORTANT NOTES

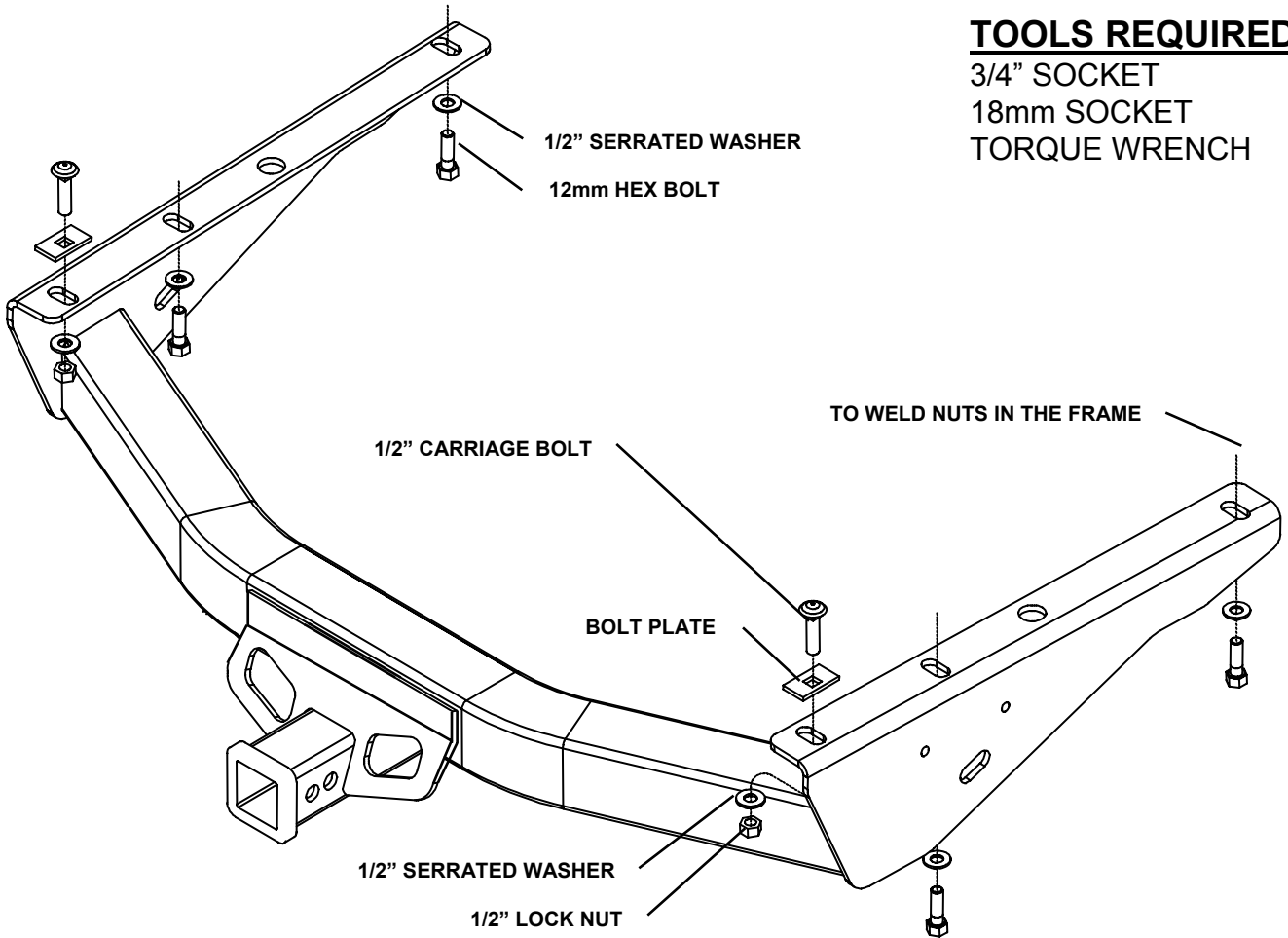
USE ONLY TOWING PRODUCTS SUPPLIED OR APPROVED BOLTS, LOCKNUTS, AND WASHERS TO INSTALL THIS HITCH

TOOLS REQUIRED

3/4" SOCKET

18mm SOCKET

TORQUE WRENCH



1. Lift the receiver up to the frame of the vehicle. Locate the large holes in the receiver brackets over the rivet heads in the frame.
2. Install four (4) 1/2" serrated washers over four (4) 12mm hex bolts and insert the bolts up through the receiver brackets and into the weld nuts in the frame. See the diagram above.
3. Install two (2) bolt plates over two (2) 1/2" carriage bolts and insert the bolts down through the frame and the receiver brackets. Install 1/2" serrated washers and 1/2" lock nuts on the bolts. See the diagram above.
4. Torque the 12mm bolts to 75 LB-FT.
Torque the 1/2" nuts to 75 LB-FT.

(OVER)

For Installation Assistance or Technical Help, Call 1-574-537-6339

For Installation Assistance or Technical Help, Call 1-574-537-6339

THIS PRODUCT COMPLIES WITH SAFETY SPECIFICATION AND REQUIREMENTS FOR THE STATE OF NEW YORK AND VESC REGULATION V-5 FOR CONNECTING DEVICES AND TOWING SYSTEMS. WEIGHT DISTRIBUTING HITCH RATING IS 7500 LB. MAX. GROSS TRAILER WEIGHT AND 750 LB. MAX. TONGUE WEIGHT. WEIGHT CARRYING HITCH RATING IS 5000 LB MAX GROSS TRAILER WEIGHT AND 500 LB MAX TONGUE WEIGHT. CONSULT VEHICLE OWNERS MANUAL FOR TOWING RECOMMENDATIONS AND LIMITATIONS.

LIMITED WARRANTY

Towing Products warrants its Hitches, custom Hitch Receivers, and Sway Controls from date of purchase against defects in material and workmanship under normal use and service, ordinary wear excepted, for the ownership life of the original consumer purchaser. Towing Products will replace FREE OF CHARGE any part which proves defective in material or workmanship when presented to any Towing Products dealer, Towing Products Warehouse, or returned to factory, TRANSPORTATION CHARGES PREPAID, at the address below. THIS WARRANTY IS LIMITED TO DEFECTIVE PARTS REPLACEMENT ONLY. LABOR CHARGES AND/OR DAMAGE INCURRED IN INSTALLATION OR REPLACEMENT AS WELL AS INCIDENTAL AND CONSEQUENTIAL DAMAGES CONNECTED THEREWITH ARE EXCLUDED. Some states do not allow the exclusion or limitation of incidental or consequential damages, so the above limitation or exclusion may not apply to you. Any damage to the Hitch, Custom Hitch receiver or Sway Control as a result of misuse, abuse, neglect, accident, improper installation, or any use violative of instructions furnished by Towing Products, WILL VOID THE WARRANTY.

This warranty gives you specific legal rights, and you may also have other rights which vary from state to state. In the event of a problem with warranty service or performance, you may be able to go to a small claims court, a state court, or a federal district court.

Towing Products
PO Box 8102
47774 Anchor Ct.
Plymouth, MI 48170

Towing Products
2351 Winston Park Drive
Oakville, Ontario
Canada L6H6R7