



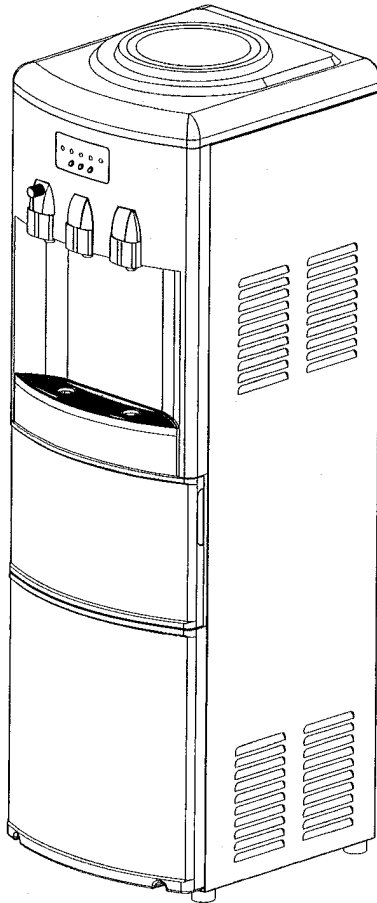
PLEASE READ AND SAVE BEFORE USE

---

# USER MANUAL

*ICE MAKER WITH WATER DISPENSER*

*MODEL: AI-400 SERIES*



Please read this owner's manual carefully before operating the unit.

## **TABLE OF CONTENTS**

<i>INTRODUCTIONS.....</i>	<i>1</i>
<i>IMPORTANT SAFETY INSTRUCTIONS.....</i>	<i>2</i>
<i>GETTING TO KNOW YOUR UNIT.....</i>	<i>3</i>
<i>Unit outline.....</i>	<i>3</i>
<i>Operation panel.....</i>	<i>4</i>
<i>Main function.....</i>	<i>4</i>
<i>BEGIN OPERATING THE UNIT.....</i>	<i>5</i>
<i>Unpack the unit.....</i>	<i>5</i>
<i>Clean your unit before use.....</i>	<i>5</i>
<i>Prepare for use.....</i>	<i>6</i>
<i>Operate the unit.....</i>	<i>7</i>
<i>ELECTRICAL DIAGRAM.....</i>	<i>10</i>
<i>CLEAN YOUR UNIT DURING REGULAR USE.....</i>	<i>11</i>
<i>TROUBLESHOOTING GUIDE.....</i>	<i>13</i>
<i>PRODUCT SPECIFICATIONS.....</i>	<i>15</i>
<i>CONTACT AND WARRANTY.....</i>	<i>16</i>

# **INTRODUCTIONS**

Thank you for purchasing your New Air product, designed to improve your life's ease and comfort. Not only can you enjoy the ice-making function, but you can also enjoy cool or hot water. With its whisper-quiet operation and attractive design, you will enjoy convenience and comfort for years to come.

Please read these instructions carefully before operating. When using this appliance, always exercise basic safety precautions.

This easy-to-use manual will guide you on how to ensure the best use of your unit.

Please complete the following information for future reference, necessary to obtain warranty service.

Model Number: \_\_\_\_\_

Serial Number: \_\_\_\_\_

Date of Purchase: \_\_\_\_\_

Place of Purchase: \_\_\_\_\_

## **IMPORTANT SAFETY INSTRUCTIONS**

When using electrical appliances, basic safety precautions should be followed to reduce the risk of fire, electrical shock, and injury to persons or property.

Read all instructions before using any appliance.

- Do not operate this or any other appliance with a damaged cord. Connect to properly polarized outlets only. No other appliance should be plugged into the same outlet. Be sure that the plug is fully inserted into the receptacle.
- Do not run the power cord over carpeting or other heat insulators. Do not cover the cord. Keep cord away from traffic areas and do not submerge in water.
- We do not recommend the use of an extension cord, as it may overheat and become a fire hazard. If you must use an extension cord, use a minimum size of No.14 AWG, and rated no less than 1875 watts.
- If the unit is brought in from outside during the winter, allow a few hours for the unit to reach room temperature before plugging in.
- Do not let hot water touch bare skin. Exercise caution and use supervision when the appliance is used near children.
- Do not use your unit outdoors. Place on an even or flat surface to avoid hazard due to instability of the appliance.
- Do not place the unit in direct sunlight and make sure that there is at least 2 inches of space between the back of your unit and the wall. Keep a minimum distance of 4 inches on each side of your unit.
- Do not tip the unit over.
- Do not use other liquids besides water to make ice cubes or to dispense cold drinks.
- Always turn off and unplug the unit when there is no water left in the bottle or when you are changing the bottle. Turn it back on after a new bottle has been placed inside and when the air is purged from the water taps.
- Unplug the unit before cleaning or making any repairs/servicing.
- Do not clean the unit with flammable fluids. The fumes can create a fire hazard or explosion.
- Disconnect the main plug from the supply socket when the unit is not in use or you are traveling. The supply connection is through the main plug.

**WARNING:** This appliance must be grounded. **IMPORTANT:** The wires in the main lead are colored in accordance with the following codes:

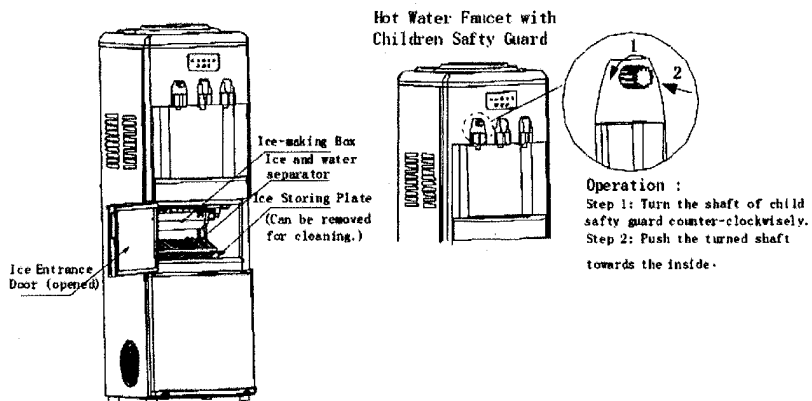
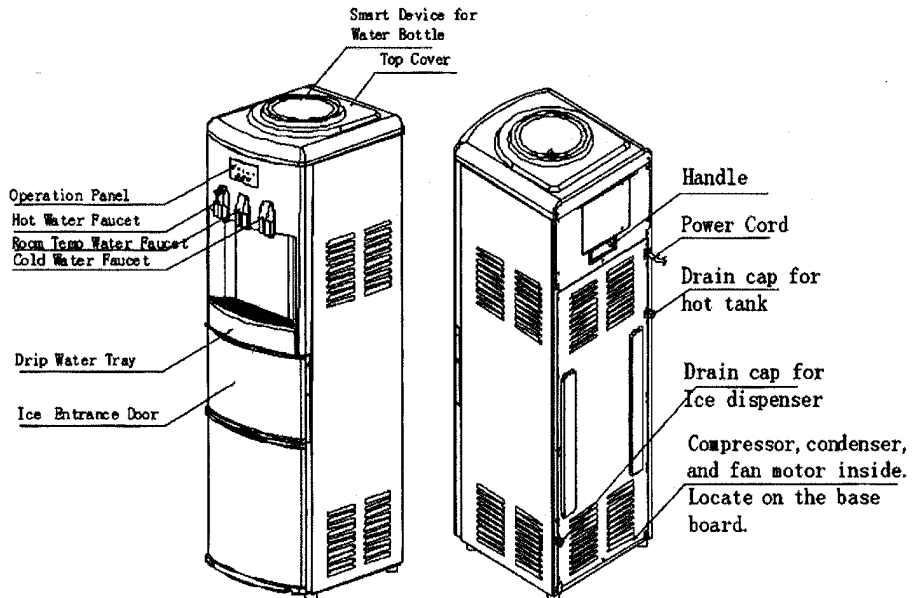
Green or Green with Yellow strip: Grounding

White: Neutral

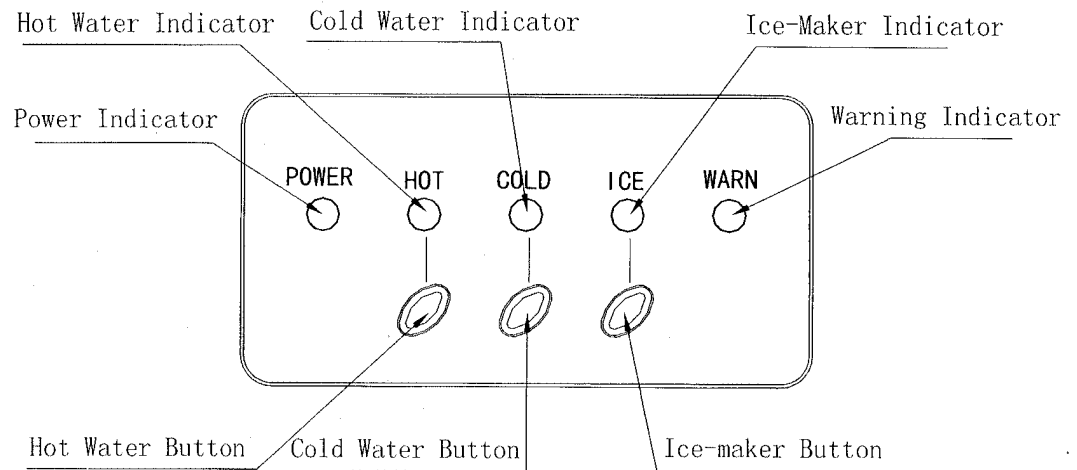
Black: Live

# GETTING TO KNOW YOUR UNIT

## Unit Outline



## Operation Panel



### Main Functions

- Hot water
- Cold water only
- Ice-making only
- Cold water and ice-making at same time

## Begin Operation

### UNPACKING THE UNIT

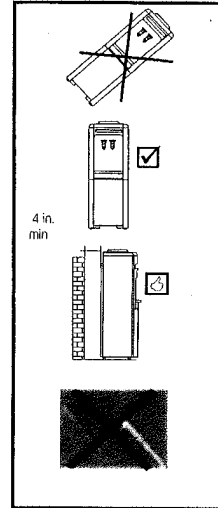
- Removing the package: Do not turn the unit upside down or lay it on its side.
  - a. Remove the strap.
  - b. Open the carton box.
  - c. Remove the Styrofoam packing from the box.
  - d. Pull the unit straight up from the box.
  - e. Remove the plastic bag.

The refrigeration compressor has sensitive mounts inside of the welded shell for quiet operation.

Improper handling may damage the compressor.

- Wipe clean if necessary.
- Place the unit evenly and gently on a hard and flat surface.

The location should not be directly in the sunlight or another source of heat.
- Place the unit where it will receive proper air circulation, and make sure that there is at least 2 inches between the back of the unit and the wall. Keep a minimum distance of 4 inches between each side of the unit.
- The appliance must be positioned so that the plug is accessible.
- Fasten the drain cap tightly on the back of the unit before running, as during the shipping process, it may be loose. If it is not fastened properly, water leakage may occur.
- Do not plug the power cord into the power socket before further reading instructions!



This unit is for indoor use only.

Room temperature should not exceed 97 Degrees F/36 Degrees C.

### CLEAN BEFORE USING

Before using your unit, it is strongly recommended that it is cleaned thoroughly.

1. Take out the accessory ice shovel from the ice-making chamber.
2. The outside of the unit should be cleaned regularly with a mild detergent solution and warm water.
3. For the first time, hold the clean water bottle vertically and upside down (over the smart device) and place the water bottle into the smart device receptacle. After a few minutes, water will flow into all of the faucets, and the cold and hot water tank, until the water is able to flow from the faucet. Then, take down the water bottle and open the drain cap for the hot tank. Let all of the water flow out and then reinstall the drain cap and tighten it.

4. Clean the ice-making chamber with diluted detergent, warm water, and a soft cloth. Then use water to rinse the inside parts. Next, drain the water by unplugging the drain cap of the ice dispenser on the back of the unit. Reinstall the drain cap of the ice dispenser and tighten it.
5. When the machine is not in use for a period of time, open both of the water drained caps to drain the water completely from unit.

## **PREPARE FOR USE**

**Improper use of the grounded plug can result in the risk of electrical shock. If the power cord is damaged, please call our customer service.**

1. Make sure that the unit is not plugged into the main electrical outlet.
2. Before placing a water bottle on the unit, be sure that the drain cap on the back is tightly fastened.
3. Hold the water bottle vertically and upside down (over the smart device) and place the water bottle into the smart device receptacle. Apply slight pressure in order to pierce the bottle cap with the spigot. This unit accepts two, three or five gallon water bottles with sealed caps that are able to be pierced.
4. Open the water faucet to let the air out until the water starts to flow. When this happens, release the faucet taps.
5. Plug the unit into a grounded power outlet. **Do not plug in before the water can flow out from all of the water faucets.**

## **DANGER:**

This unit should be properly grounded for your safety. The power cord of this appliance is equipped with a three-prong plug to be used with a standard three-prong wall outlet to minimize the possibility of electric shock.

Plug your appliance into an exclusive, properly installed, and grounded wall outlet. Under any circumstances, do not cut or remove the third (ground) prong from the power cord. Any questions concerning power and/or grounding should be directed toward a certified electrician. This appliance requires a standard 110-120 volt, 60 Hz electrical outlet with three-prong ground.

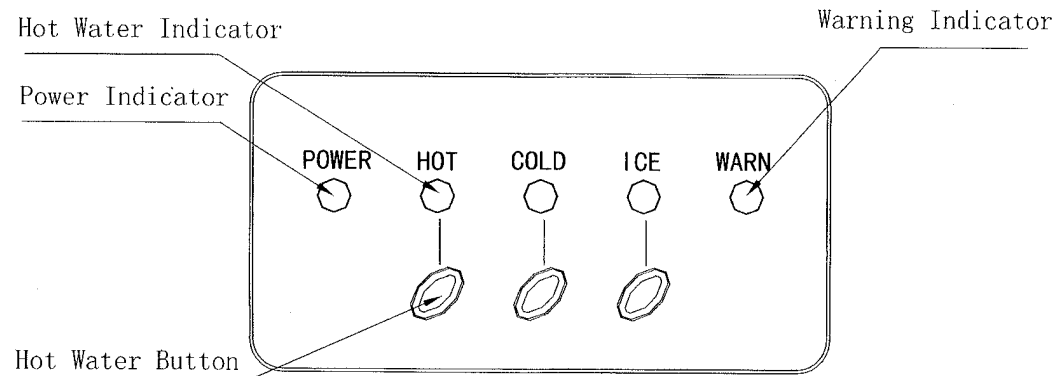
6. If the unit is brought in from outside during the winter, allow a few hours for the unit to reach room temperature before plugging in.



## OPERATE THE UNIT

After plugging into the main power outlet, the POWER indicator on the control panel will be on. This indicates you are ready to begin operating the hot and cold water or ice-making functions as desired.

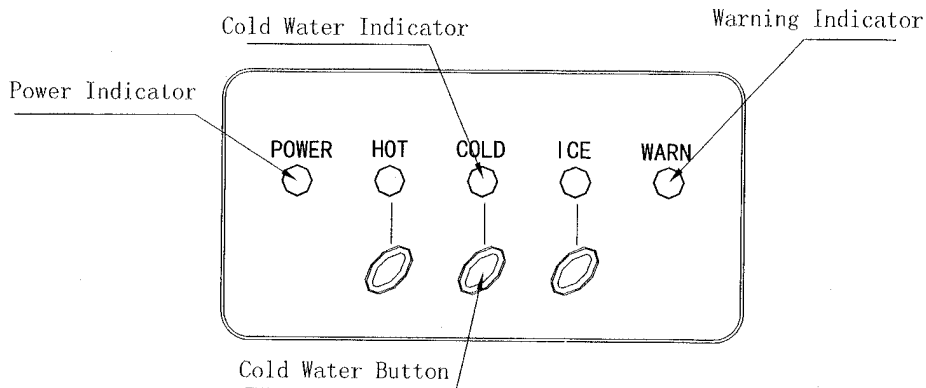
### Hot Water Operation



Press the Hot Water button and the green Hot Water indicator above the button will begin blinking, meaning that the heating element has begun to work. When this green indicator illuminates, this means that the hot water has reached the desired temperature and is drinkable. After awhile, drain out the hot water from the hot water faucet, and the Hot Water indicator will begin blinking again, meaning that the heating element has been initiated.

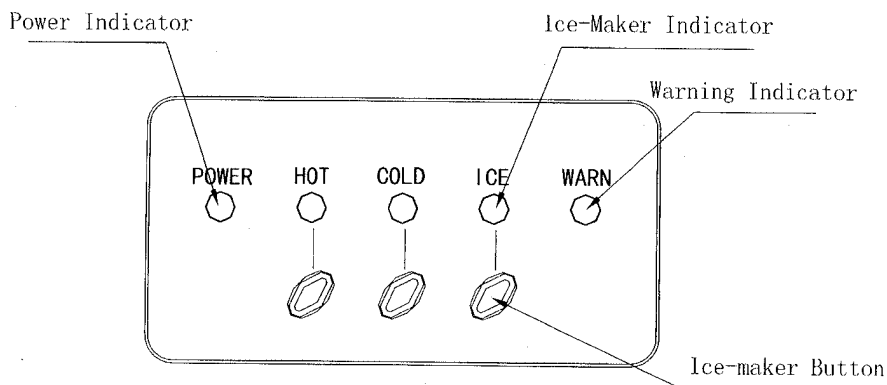
If the hot water tank is empty after the first use, or after being drained, wait a few minutes and a warning sound will go off ten times along with an indicator light. When the water bottle is replaced, press the hot water button again to begin heating and to turn off the warning indicator. If you do not want hot water, please press the Hot Water button again to save electricity and cost. (After this, the Hot Water indicator will be off.)

## Cold Water Operation



Press the Cold Water button to begin the cold water function. After this, the Cold Water indicator will blink, meaning that the compressor has begun cooling the water. When the Cold Water indicator changes from blinking to illuminating, the cold water has reached the desired temperature and the cold water is ready. After awhile, or when the cold water is drained from the cold water faucet, the cold water indicator will begin blinking again, indicating the cooling process has begun. The Cold Water function and the Ice-making function can be operating at the same time.

## Ice-making Operation



1. Press the Ice-maker button on the operation panel to begin the ice-making cycle. The Ice-maker indicator will start to blink.
2. The ice making cycle lasts 7 to 15 minutes, depending on the ambient temperature.
3. While the ice-maker is on, the unit will verify the water level periodically. If there is not enough water to make ice, the ice maker will stop automatically, and the Warning indicator will turn on, meaning that the water level will not be able to reach the required level for ice making.

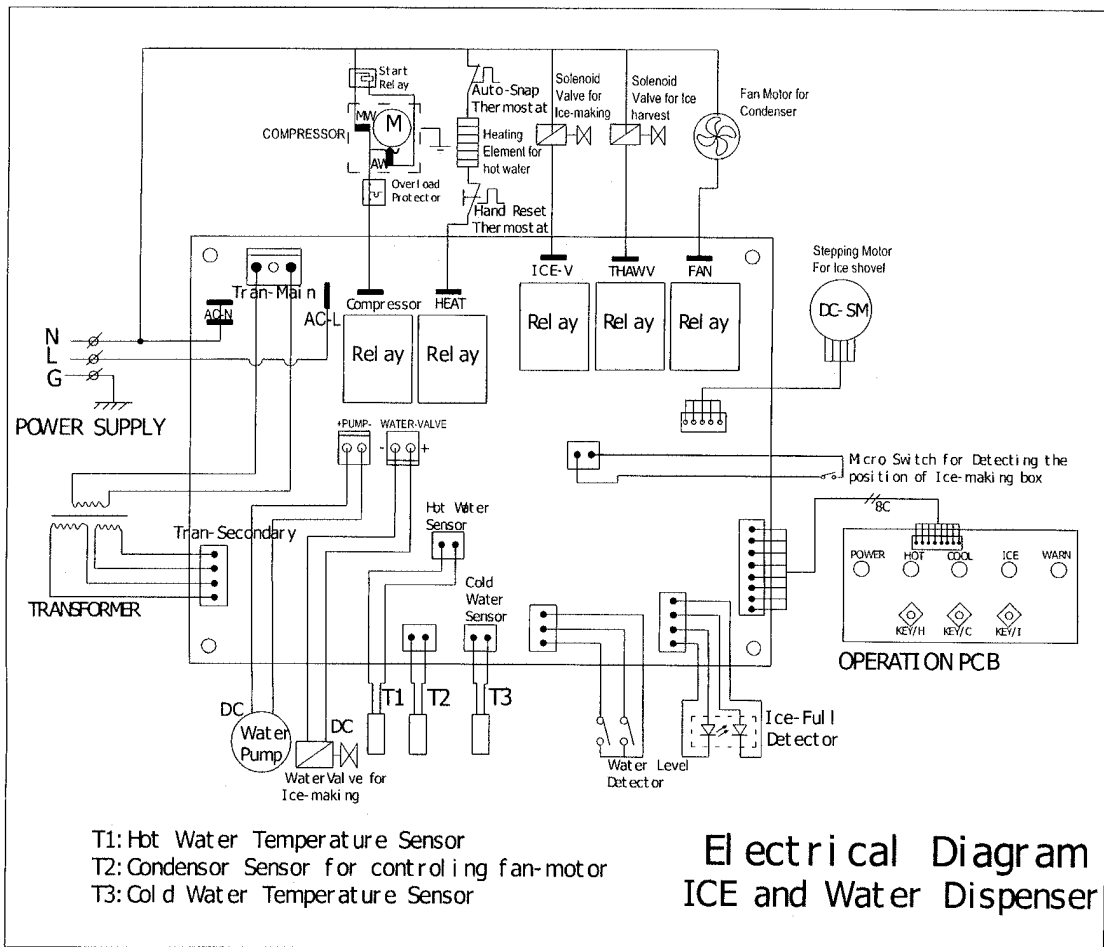
4. The ice maker will automatically stop working when the unit is full of ice, and the Ice-maker indicator will switch from blinking to illuminating.
5. Make sure to keep the water in the tank clean. If the unit is not in use for a long period of time, make sure to take down the water bottle and drain out all of the water from both the drain port and from the back of the unit.

**6. How to get the ice**

Open the ice door at the front of the unit and use the ice scoop (included with your purchase) to take the ice from the unit.

**Note:** When you turn on the cold water and the ice-making operations at same time, you should wait a few minutes to allow the water temperature in the cold tank to return to normal temperature. If the cold water temperature goes up again, use the cold water from the cold water faucet and the unit will switch to Cold Water operation again after the present ice-making cycle finished.

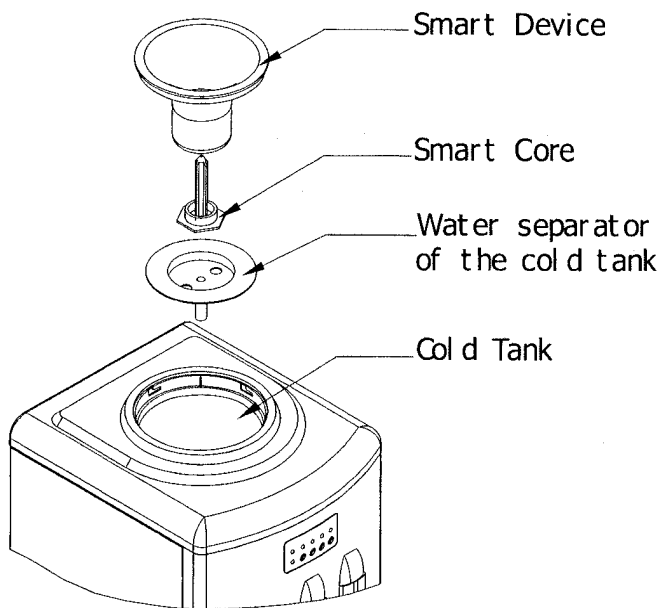
# ELECTRICAL DIAGRAM



## **CLEAN YOUR UNIT DURING REGULAR USE**

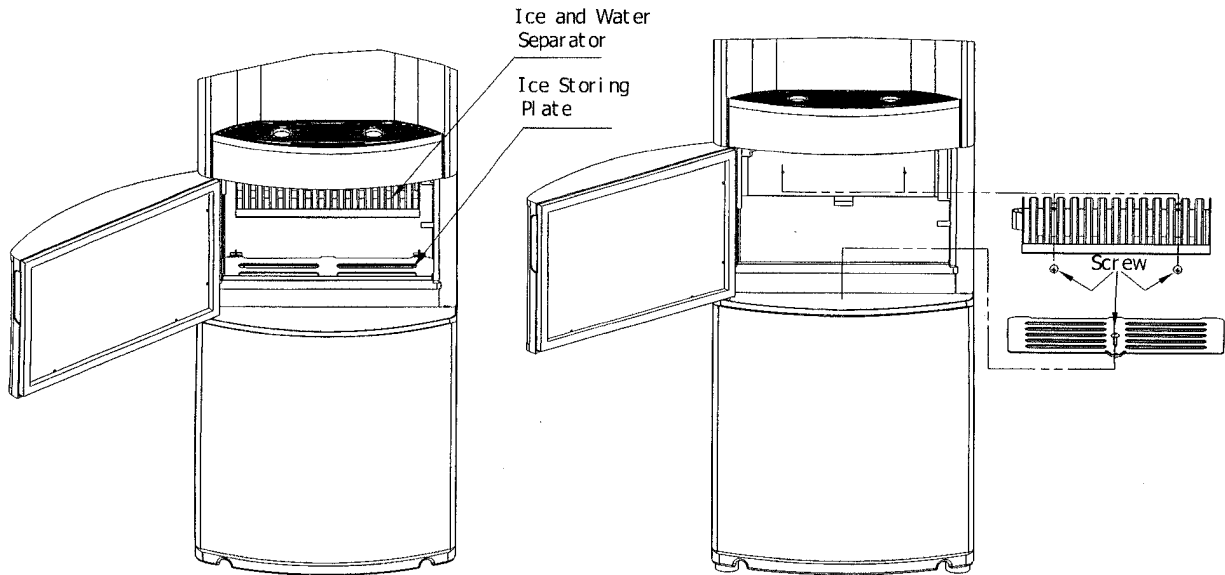
After you have used your unit for three or more months, we suggest cleaning the unit again. Unplug your unit before doing any cleaning or maintenance!

- For the outside enclosure of the unit, wash with a soft, wet cloth and liquid dishwashing soap. Do not use corrosive chemical solvents as this might cause color changes and hurt the machine. Do not pour water over the whole shell when washing, and avoid getting the electrical parts wet.
- For the hot and cold water dispenser, twist the bottle receptacle of the non-spill system (smart device) counterclockwise and pull it up.



Take apart the non-spill system (smart device and smart core showed in above figure), and proceed to wash it with the dishwashing fluid, rinse, and reassemble. Empty both tanks (hot and cold) by unplugging the drain cap of the hot water tank at the back of the unit. Next, clean the inside parts of the water dispenser system with vinegar or a 2% citric acid solution to remove mineral scaling from the water. Rinse well, and then open the drain cap from the hot water tank to remove all of the water. Replace all of the parts and securely fasten the drain cap. It is important to let the unit dry for two hours before plugging it back in. When finished, reinstall the bottle receptacle (smart device).

- For the ice-making chamber, remove the ice and water separator and the ice storing plate by unscrewing the screw according to the following figure.



Next, you can wash the inside parts of the ice-making chamber with the dishwashing fluid, rinse, and open the drain cap for the ice dispenser on the back. This will get the water out. Rinse several times, and then securely return and fasten the drain cap. Immerse the removed ice, water separator, and ice storing plate in the dishwashing fluid to clean. After rinsing and drying, install both of these back to the original position with a screw and screwdriver.

## PRECAUTION

- When cleaning, the outside of the machine can be washed with a wet, soft cloth, but do not use corrosive chemical solvents, as this may hurt the machine and alter its color. Be careful not to pour water over the enclosure when washing, avoiding its internal electrical parts. These should not get wet.
- Keep the unit away from the wall with proper distance. Keep it far away from high temperature surroundings and prevent it from being exposed to sunlight or other heat sources. Keep the enclosure ventilated and cleared of any obstructions.
- When the unit is not in use for an extended period of time, disconnect the power cord and drain the water from both drain caps, refastening them tightly when finished. Do not touch the faucets at this time in case of leakage.
- Children should not touch the hot water tap as it can burn the skin.

## TROUBLESHOOTING GUIDE

If the unit is not working properly, please reference the following table:

PROBLEM	CHECK	PROBABLE REASON	SOLUTION
Hot and cold water, ice-maker are all not available, and the POWER indicator isn't illuminated on the control panel	Main Power Supply switch in your home	At "OFF" position	Move to "ON" position
	Power plug	Not on the power outlet	Plug it.
	Circuit breaker	Tripped	Check and reclose
	Main Fuse	Blown out	Replace
	Power breakdown	Main electrical power supply	Wait until the main power supply resumes
	Transformer	Unplug or breakdown the PCB Controller	Call the electrician or serviceman to perform maintenance
Only hot water not available	Fuse on the PCB board	Blown out	Call the electrician or serviceman to replace it with same rating
	Hot Water Button and Hot Water indicator	Hot water function is not turned on by the button on the control panel	Press the Hot Water button
	Hot water use	The preceding amount of hot water is too much	Wait for a moment until the hot water comes out
Only cold water not available	Hot water sensor	Breakdown	Call the serviceman to replace with a new unit
	Cold Water Button and Cold Water indicator on the control panel	Cold water function is not turned on	Press the Cold Water button
	Cold Water use	The preceding amount of cold water is too much	Wait for a moment until cold water comes out
	Air clearance between the unit and the wall	The apparatus is insufficiently ventilated	Space the unit from the wall by more than 15 centimeters on each side
	Water separator in the cold tank	The cold water separator has moved in the cold water tank	Replace the water isolator at the correct position.
	Water bottle	The temperature of water supplied (in the bottle) is too high. (This occurs when the bottle is exposed to direct sunlight for a long time)	Put the water in a shady, cool place
Ice-making	Both Ice-making and cold water functions are running at same time.	Wait a few minutes after stopping the ice-making function	

Only Ice-making only is not working	Ice Button and Ice indicator on the control panel	Ice-making function is not turned on by the button.	Press the Ice-making button
	Cold water function	Both Ice-making and cold water functions are running together	Wait a few more minutes and stop the Cold Water function first
Compressor is not running or suddenly stops	Main power supply	Voltage too low	Contact an electrician or the electricity department
	Ventilation opening blocked	Blocked	Remove the substance blocking the opening
	Clearance around the unit	Too small clearance or bad air circulation	Leave enough space around the unit (Min. 15 cm)
	Condenser	Too dirty, produce overheated	Clean
	Cooling system	Refrigerant over charged or leaked	Contact with qualified serviceman to repair it
	Compressor and accessories	Breakdown	Call a serviceman to check and repair
Warm indicator illuminates and buzzes	Water bottle	There is no water.	Replace with a new bottle full of water
Warm indicator flashes on the control panel	Ice-making box in the ice-making chamber	The ice making box is clogged by ice or some other mechanism	Stop the unit and allow some time for the clogged ice to melt
Water leaks from the taps or the faucet	Water faucet button	The water faucet button may be clogged	Check it and let the button go out
	Water faucet	The water faucet has been damaged.	Call your service or sales agent for replacement information
Water is dripping out of the water dispenser and onto the floor.	Water bottle	The bottle may have small pinholes	Change to a new bottle
	Water drain caps on the back	Loose	Tighten these completely and check the sealing silicon material inside the drain cap to make sure it is not torn or damaged. If so, change to new drain caps
Noise occurs	Floor	The appliance is not level.	Install it evenly and lock the unit
	Locating position	Contact with other products	Move it away from other products



## **PRODUCT SPECIFICATIONS**

Model	AI-400
Power Supply	115V, 60Hz
Ice-Making Capacity	28 Lb/Day* (Ice-making only)
Cold Water Capacity	4 L* (Cold water only)
Hot Water Capacity	5 L
Total Electrical Rating	7.8 A**
Ice-Making/Ice Harvest Current	2.5 A/3.5 A **
Cold Water Current	2.5 A
Heating Current	4.3 A
Refrigerant and Quantity	R134 a, 110 g
Design Pressure (High Side)	220 psig
Design Pressure (Low Side)	88 psig
Net Weight	50.5 Lb

TEST CONDITION: (\*): Water Temperature: 77°F., Room Ambient: 77°F.

(\*\*): As UL standard requirement: 104°F. Room Ambient

## **WARRANTY**

The manufacturer provides warranty in accordance with the legislation of the customer's own country of residence, with a minimum of 1 year, starting from the date on which the appliance is sold to the end user.

The warranty only covers defects in material or workmanship.

The repairs under warranty may only be carried out by an authorized service centre. When making a claim under the warranty, the original bill of purchase (with purchase date) must be submitted.

The warranty will not apply in cases of:

- Normal wear and tear
- Incorrect use, e.g. overloading of the appliance, use of non-approved accessories
- Use of force, damage caused by external influences
- Damage caused by non-observance of the user manual, e.g. connection to an unsuitable mains supply or non-compliance with the installation instructions
- Partially or completely dismantled appliances

### **WARNING:**

- **WARNING:** Keep ventilation openings, in the appliance enclosure or in the built-in structure, clear of obstruction.
- **WARNING:** Do not damage the refrigerant circuit.